



US00D989071S

(12) **United States Design Patent** (10) **Patent No.:** **US D989,071 S**
Heath (45) **Date of Patent:** **** Jun. 13, 2023**

(54) **MONITOR**
(71) Applicant: **KONINKLIJKE PHILIPS N.V.**,
Eindhoven (NL)
(72) Inventor: **Stephen Heath**, Andover, MA (US)
(73) Assignee: **KONINKLIJKE PHILIPS N.V.**,
Eindhoven (NL)

D787,346 S * 5/2017 Rhein D10/70
D794,207 S * 8/2017 Flanagan D24/186
D854,188 S * 7/2019 Schaeken D24/232
D942,873 S * 2/2022 Yu D10/57
D958,099 S * 7/2022 Li D14/129
D965,779 S * 10/2022 Behrendt D24/185
D968,974 S * 11/2022 Yu D10/53
D973,884 S * 12/2022 Zhan D24/185
2014/0267957 A1* 9/2014 Iwamoto G06F 3/041
349/12

(**) Term: **15 Years**

FOREIGN PATENT DOCUMENTS

(21) Appl. No.: **29/775,373**
(22) Filed: **Mar. 23, 2021**
(51) **LOC (14) Cl.** **14-02**
(52) **U.S. Cl.**
USPC **D14/378**
(58) **Field of Classification Search**
USPC D14/378, 381, 371; D24/138, 160,
D24/164-165, 167-169, 185-186
CPC H01R 13/641; H01M 2/1022; H01M
2/1027; H01M 2/1072; H01M 2/105;
H01M 2/1077; H02B 1/20; B43L 1/00;
B43L 1/04; G06F 1/1601; G06F 1/1632;
H05K 5/0004; H05K 5/02; H05K 5/0217
See application file for complete search history.

CN 30679815 * 8/2021
CN 307756611 * 12/2022
EM 008166771-0001 * 9/2020
TW 217958-0001 * 4/2022

* cited by examiner

Primary Examiner — Daniel J Domino

Assistant Examiner — Samina Vieth

(57) **CLAIM**

The ornamental design for a monitor, as shown and described.

DESCRIPTION

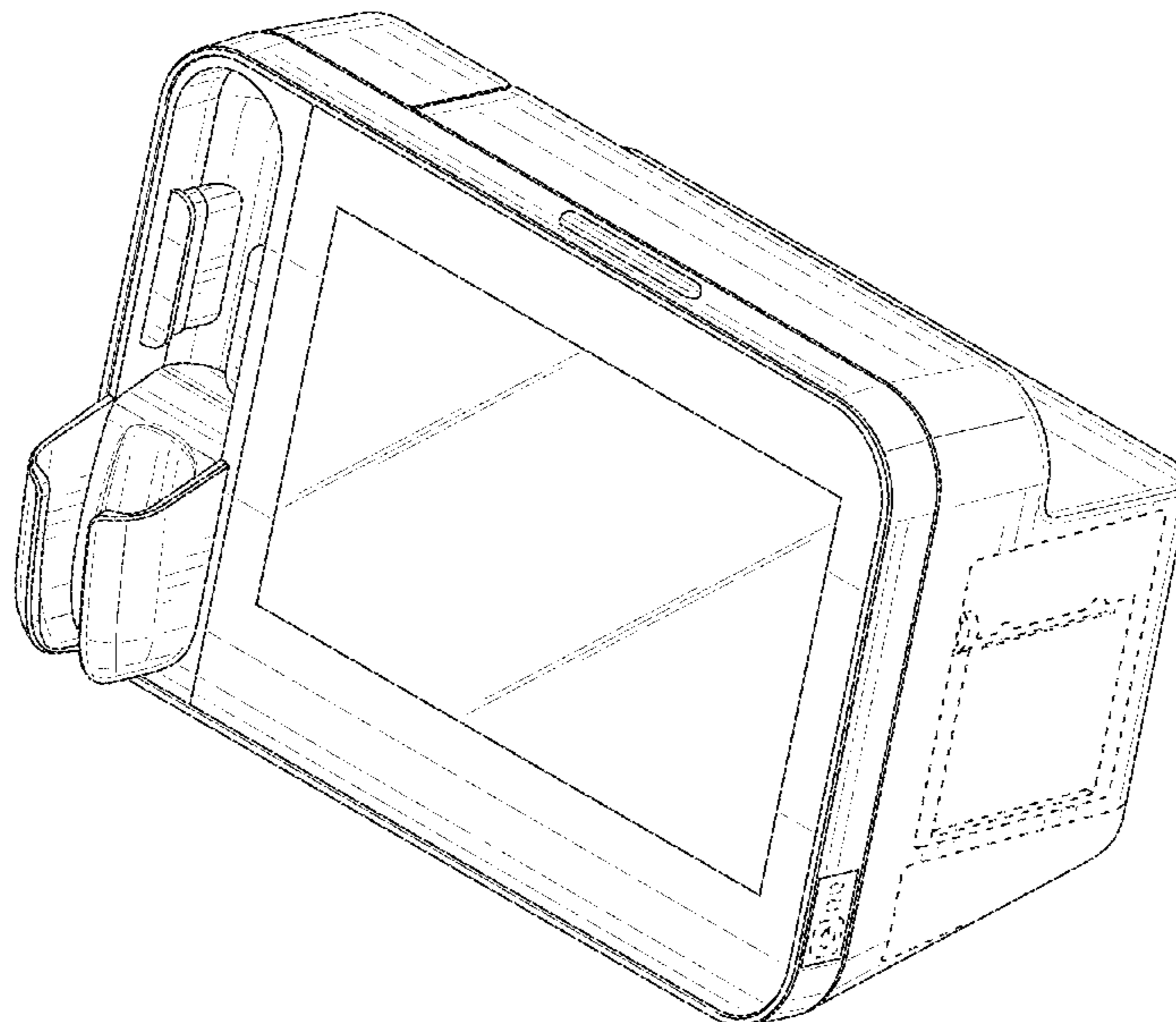
FIG. 1 is a front, top, right perspective view of a monitor, showing the new design;
FIG. 2 is a rear, bottom, left perspective view thereof;
FIG. 3 is a front elevation view thereof;
FIG. 4 is a rear elevation view thereof;
FIG. 5 is a left side view thereof;
FIG. 6 is a right side view thereof;
FIG. 7 is a top plan view thereof; and,
FIG. 8 is a bottom plan view thereof.
The broken lines of even length shown in the drawings illustrate portions of the monitor that form no part of the claimed design.

(56) **References Cited**

U.S. PATENT DOCUMENTS

D371,355 S * 7/1996 Sato D14/126
D455,492 S * 4/2002 Daynes D24/167
D560,668 S * 1/2008 Pritchard D14/448
D621,511 S * 8/2010 Lathrop D24/167
D670,386 S * 11/2012 Yanagawa D24/144
D687,146 S * 7/2013 Juzkiw D24/170
D716,815 S * 11/2014 van Hees D14/420
D728,503 S * 5/2015 Kim D14/126
D734,856 S * 7/2015 Weichert D24/186
D734,858 S * 7/2015 Weichert D24/186
D734,859 S * 7/2015 Weichert D24/186

1 Claim, 8 Drawing Sheets



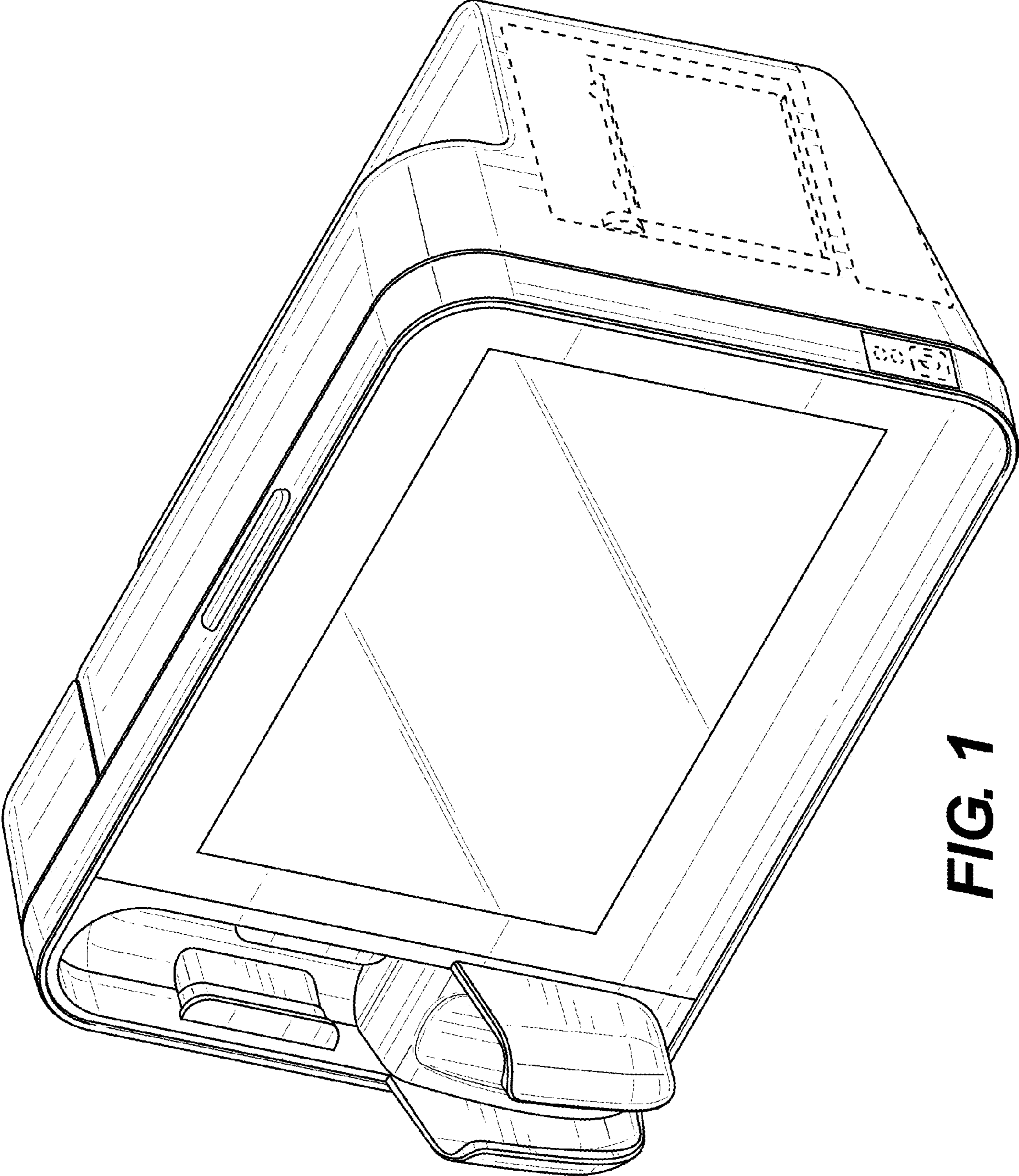


FIG. 1

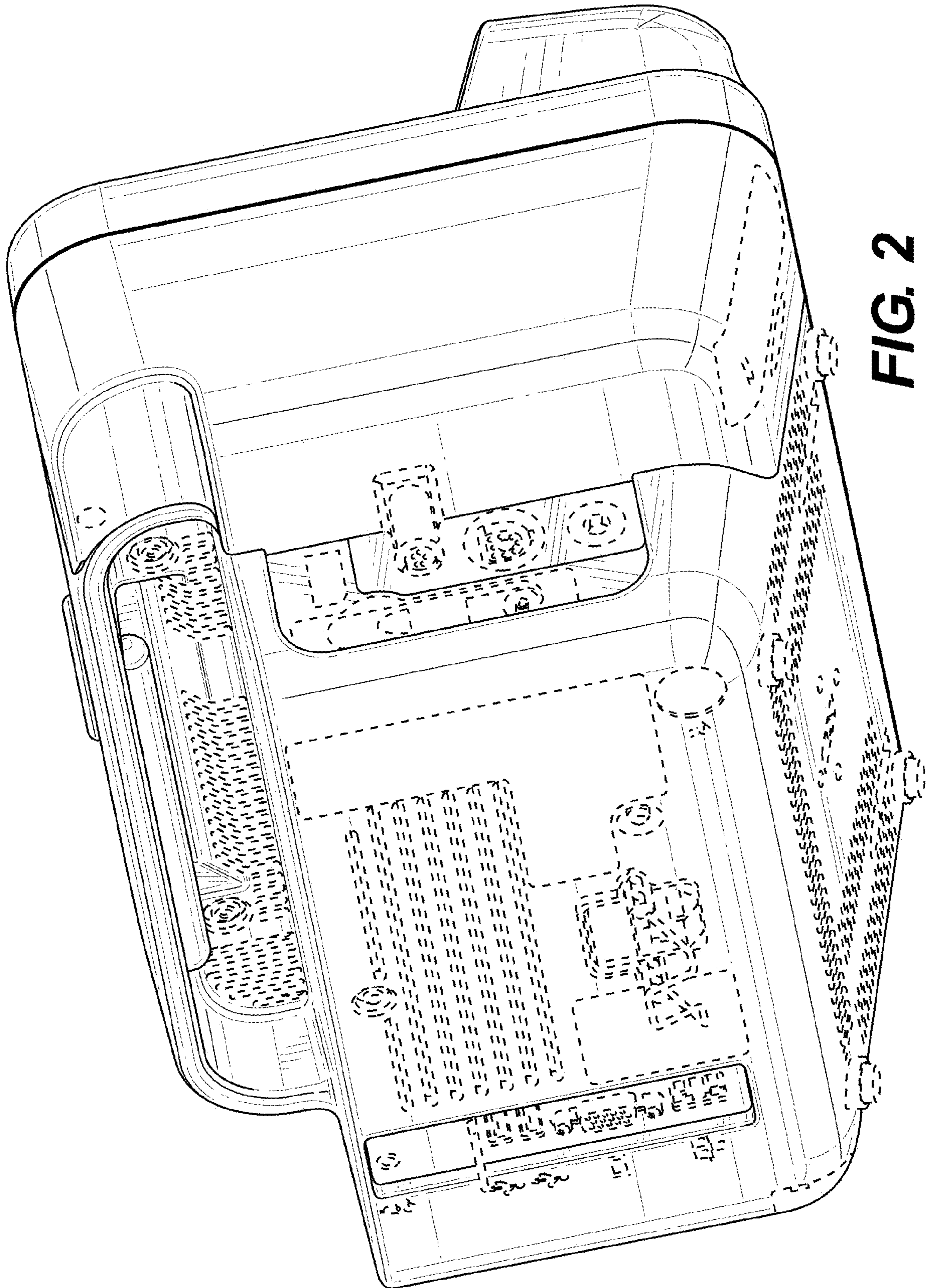


FIG. 2

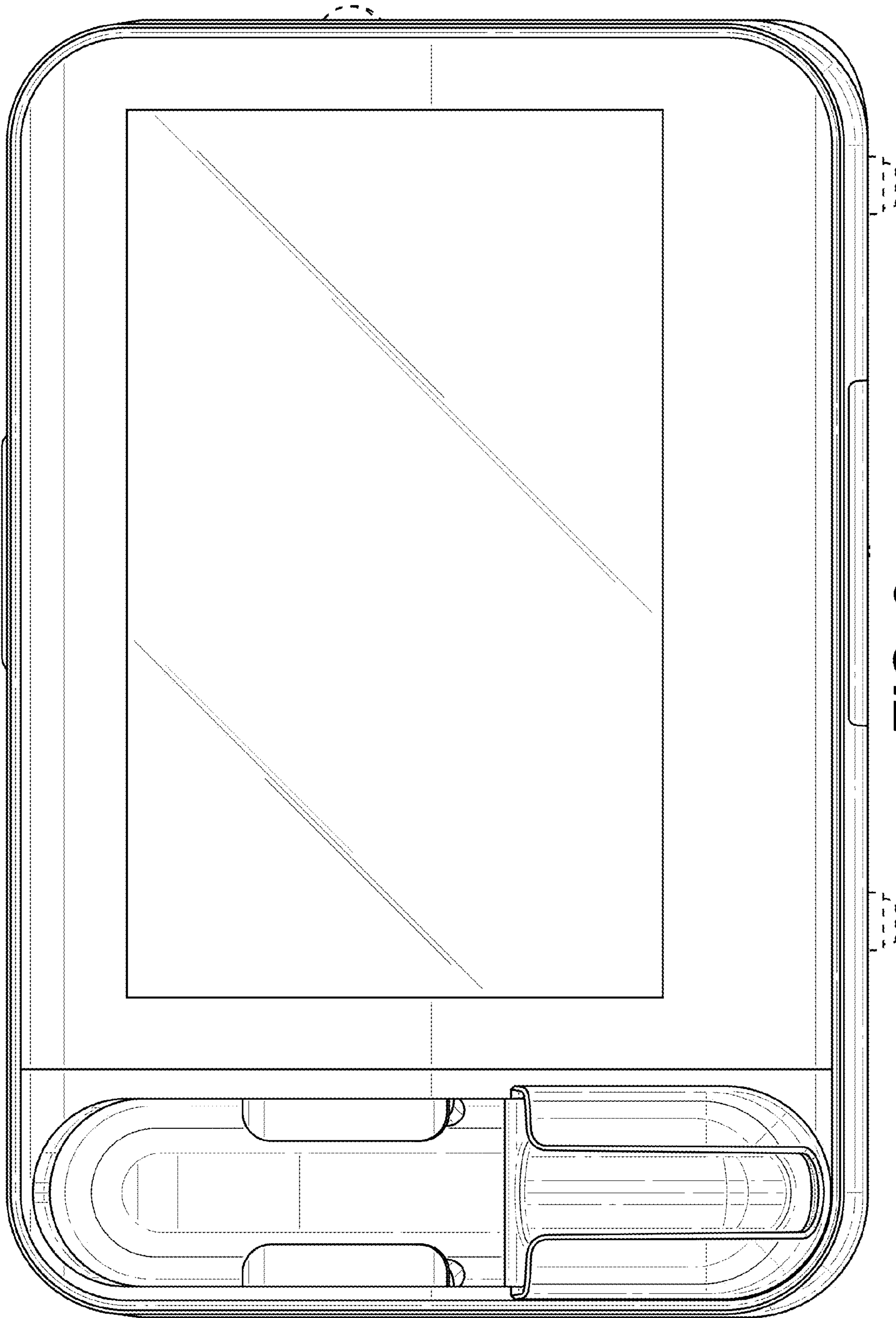


FIG. 3

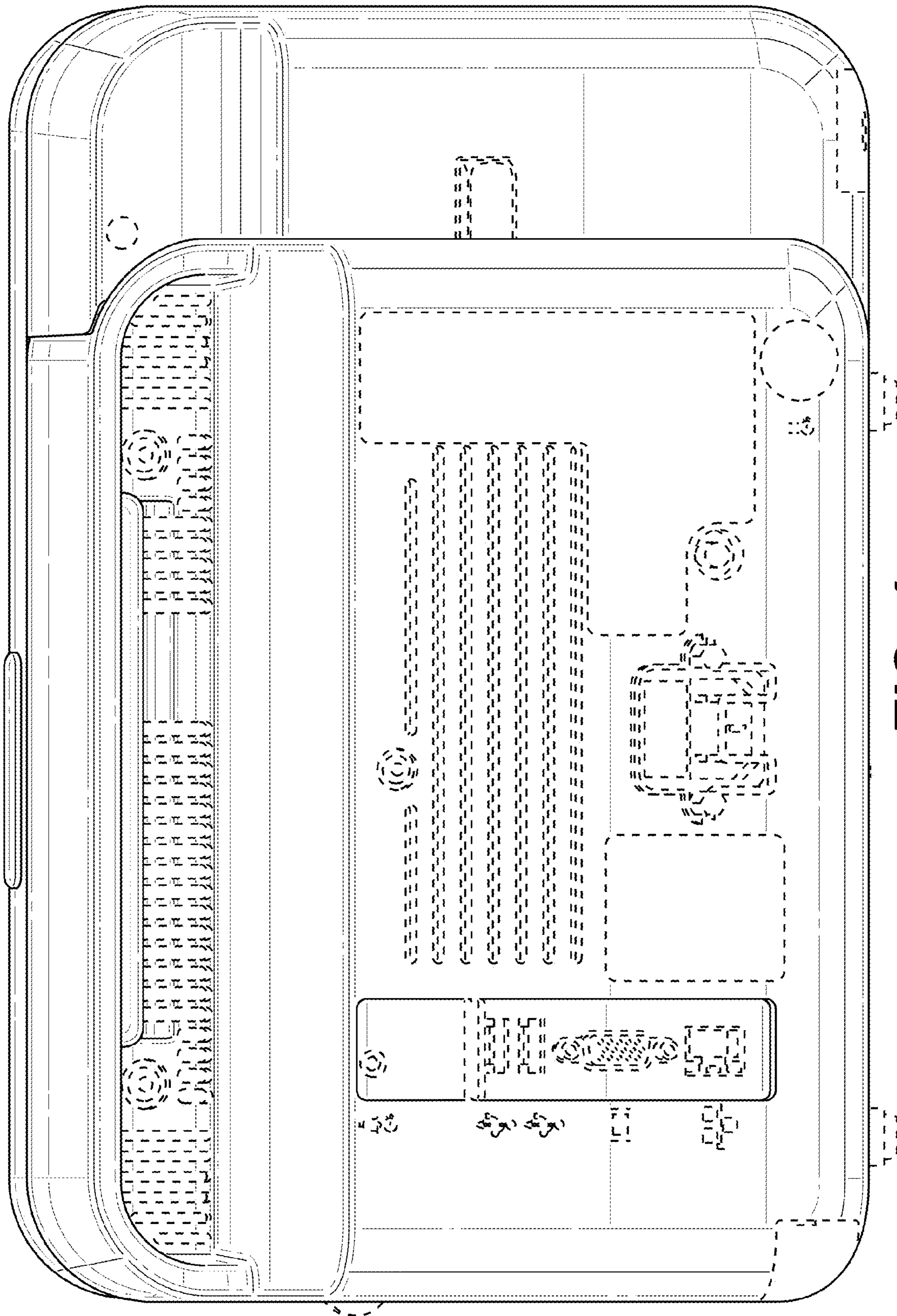


FIG. 4

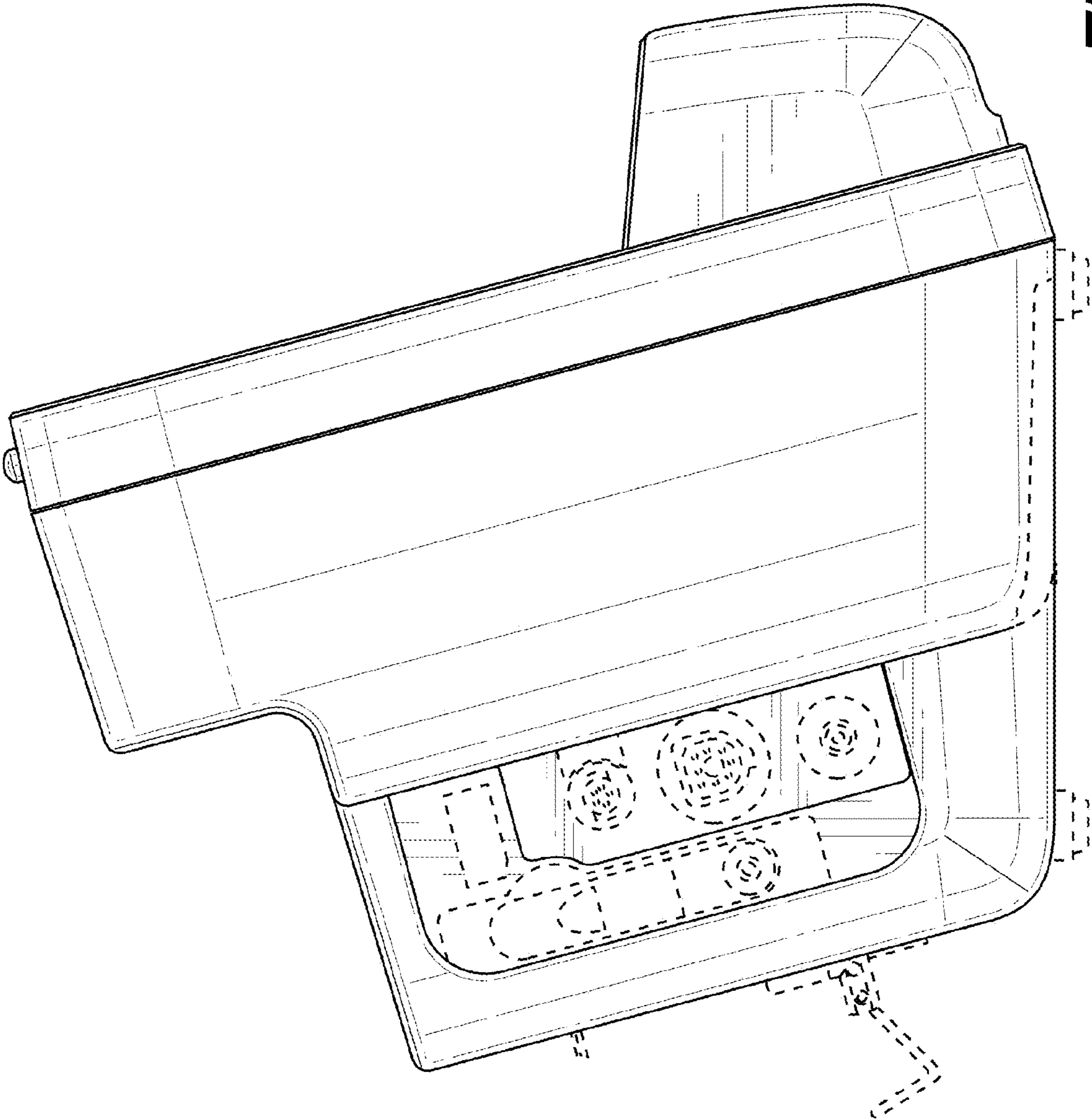


FIG. 5

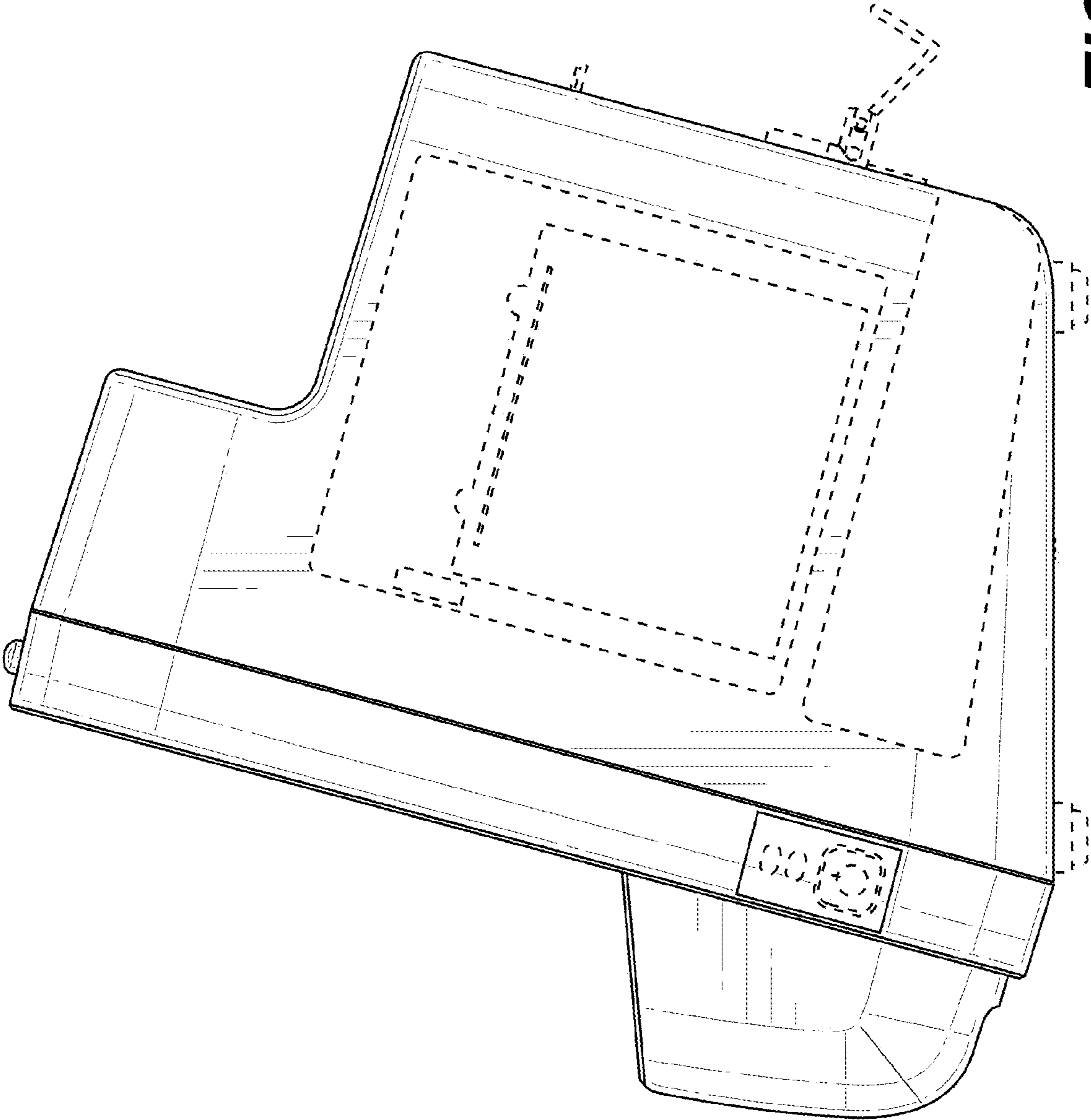


FIG. 6

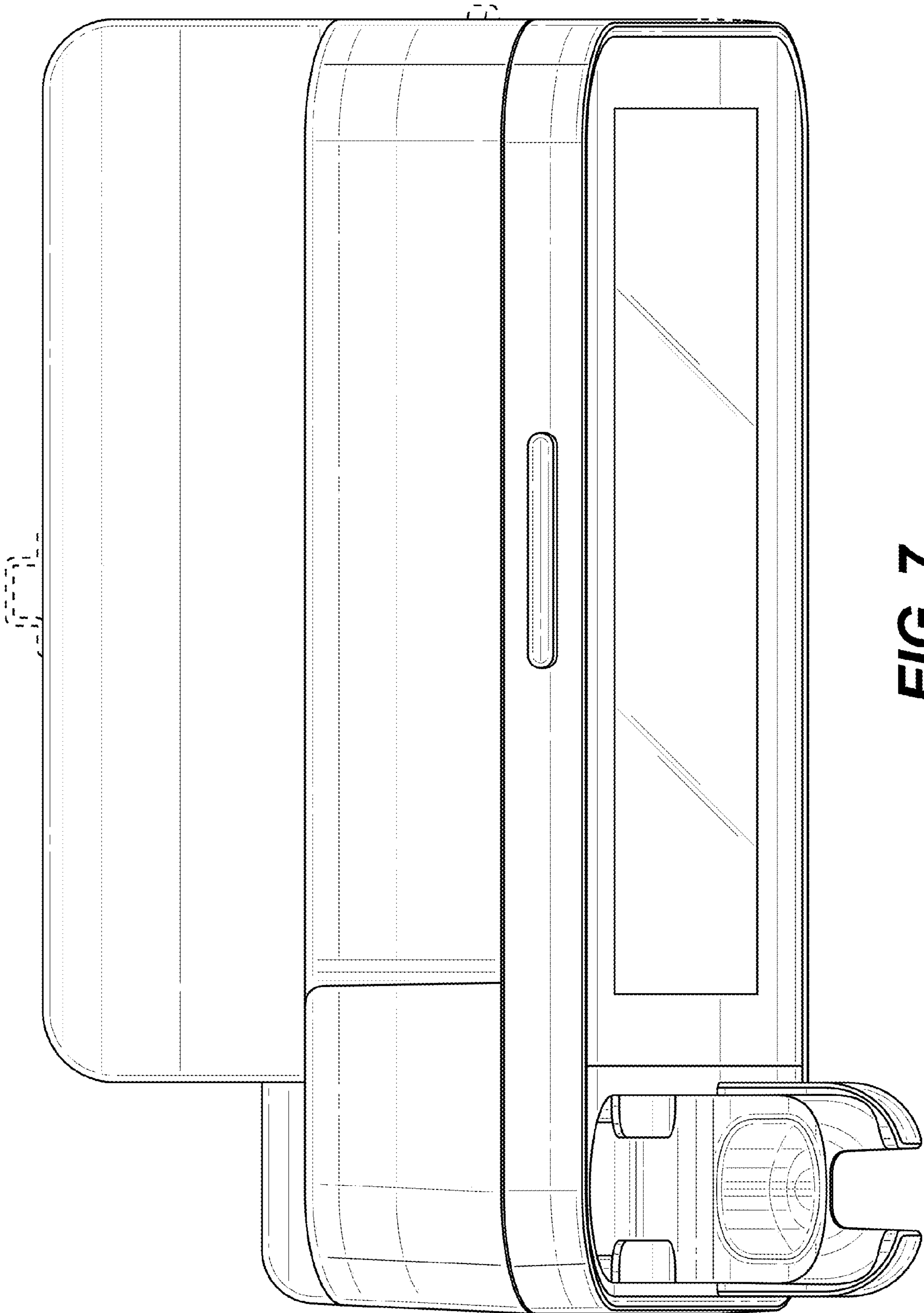


FIG. 7

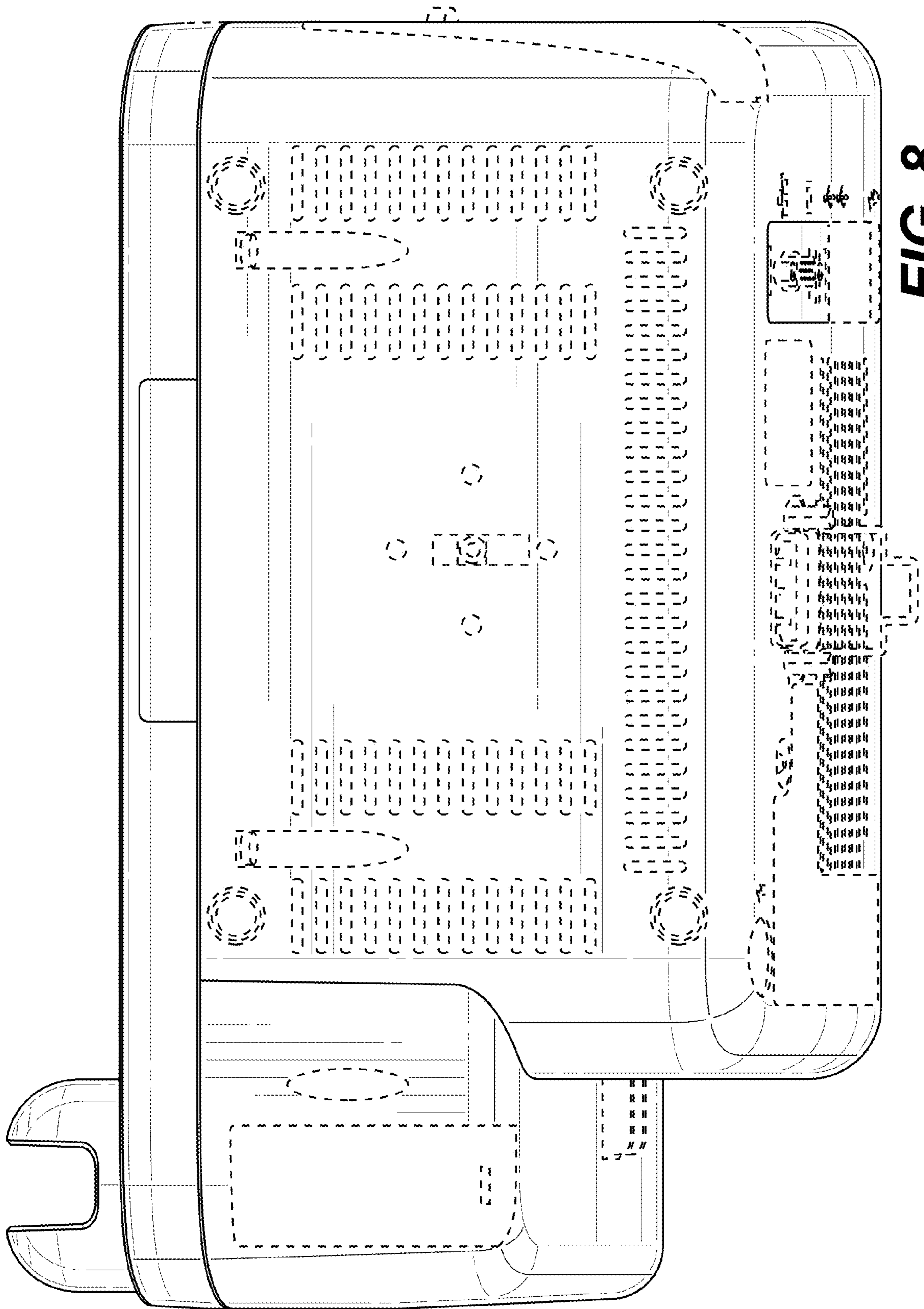


FIG. 8