



US00D989069S

(12) **United States Design Patent**
Wei

(10) **Patent No.:** **US D989,069 S**
(45) **Date of Patent:** **** Jun. 13, 2023**

(54) **SMART WATCH**

(71) Applicant: **Yuxiang Wei**, Guangdong (CN)

(72) Inventor: **Yuxiang Wei**, Guangdong (CN)

(73) Assignee: **Yuxiang Wei**, Wuhua (CN)

(**) Term: **15 Years**

(21) Appl. No.: **29/853,616**

(22) Filed: **Sep. 16, 2022**

(30) **Foreign Application Priority Data**

Jun. 6, 2022 (CN) 202230340644.0

(51) **LOC (14) Cl.** **14-02**

(52) **U.S. Cl.**
USPC **D14/344**

(58) **Field of Classification Search**
USPC D14/138 R, 344; D10/30-32, 38, 70;
D11/3; D24/167
CPC G04G 17/00; G04G 17/045; G04G 17/08;
G04G 17/083; G04G 21/00; G04G 21/02;
G04G 21/025; G04G 21/06; G04G 21/08;
G04G 99/006; A44C 5/00; A44C 5/02;
A44C 5/022; A44C 5/025; A44C 5/0007;
A44C 5/0015; A44C 5/0046; A44C
5/0053; A44C 5/2052; A44C 5/2071;
A44C 9/00; A44C 9/0053

See application file for complete search history.

(56) **References Cited**

U.S. PATENT DOCUMENTS

D876,244 S * 2/2020 Park D10/32
D889,459 S * 7/2020 Zhang D14/344
(Continued)

OTHER PUBLICATIONS

Garmin Venu Sq, GPS Smartwatch with Bright Touchscreen Display, Up to 6 Days of Battery Life, Slate Aluminum Bezel with

Shadow Gray Case and Silicone Band, Slate Band, www.amazon.com, Sep. 23, 2020. <https://www.amazon.com/Garmin-010-02427-00-Smartwatch-Touchscreen-Display/dp/B08FRQ57JG> (Year: 2022).*

(Continued)

Primary Examiner — Llorellys Martinez

Assistant Examiner — Kwabena A. Ankobiah

(74) *Attorney, Agent, or Firm* — Nitin Kaushik

(57) **CLAIM**

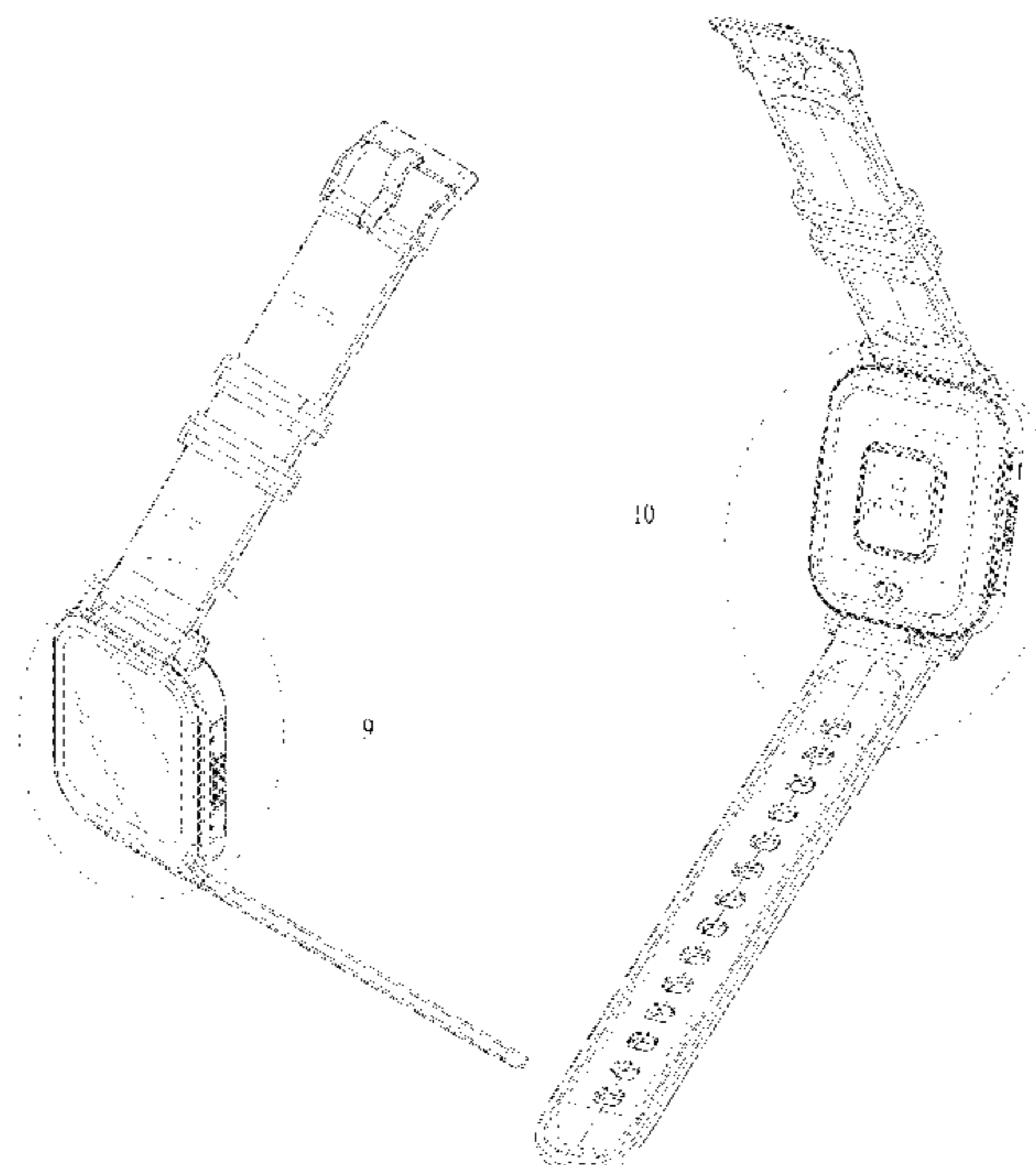
The ornamental design for a smart watch, as shown and described.

DESCRIPTION

FIG. 1 is a front, right perspective view of the smart watch; FIG. 2 is a rear, left perspective view thereof; FIG. 3 is a front view thereof; FIG. 4 is a rear view thereof; FIG. 5 is a left view thereof; FIG. 6 is a right view thereof; FIG. 7 is a top view thereof; FIG. 8 is a bottom view thereof; FIG. 9 is a partially enlarged view of encircled portion 9 in FIG. 1; FIG. 10 is a partially enlarged view of encircled portion 10 in FIG. 2; FIG. 11 is a partially enlarged view of encircled portion 11 in FIG. 4; and, FIG. 12 is a partially enlarged view of encircled portion 12 in FIG. 6.

The broken lines shown on the drawings depict portions of the smart watch that form no part of the claimed design. The other dashed lines encircling portions of the smart watch in FIGS. 1, 2, 4, 6, and 9-12 are included to show a partially enlarged view only and form no part of the claimed design.

1 Claim, 12 Drawing Sheets



(56)

References Cited

U.S. PATENT DOCUMENTS

D900,809 S * 11/2020 Gao D14/344
D900,810 S * 11/2020 Ke D14/344
D901,493 S * 11/2020 Gao D14/344
D909,369 S * 2/2021 Wu D14/344
D912,665 S * 3/2021 Zhang D14/344
D922,376 S * 6/2021 Zheng D14/344
D926,753 S * 8/2021 Wu D14/344
D929,989 S 9/2021 Han
D934,860 S * 11/2021 King D14/344
D935,453 S * 11/2021 Gao D14/344
D940,706 S * 1/2022 Wu D14/344
D951,108 S * 5/2022 Huang D14/344
D962,230 S 8/2022 Gao
D962,231 S * 8/2022 Gao D14/344
D962,232 S * 8/2022 Gao D14/344

D962,233 S * 8/2022 Gao D14/344
D963,639 S * 9/2022 Zhang D14/344
D971,207 S * 11/2022 Zhu D14/344
D971,208 S * 11/2022 Hu D14/344

OTHER PUBLICATIONS

Bangle.js 2: The Open Smart Watch, www.kickstarter.com, Dec. 16, 2021. <https://www.kickstarter.com/projects/gfw/banglejs-2-the-open-smart-watch?ref=discovery&term=smart%20watch> (Year: 2021).*
Gabb Watch 2, www.gabbwireless.com, Accessed Nov. 29, 2022. <https://gabbwireless.com/product/gabb-watch-2/> (Year: 2022).*
BoAt Storm Smartwatch Unboxing, www.youtube.com, Nov. 5, 2020. <https://www.youtube.com/watch?v=BGvzkT2w5C0> (Year: 2020).*

* cited by examiner

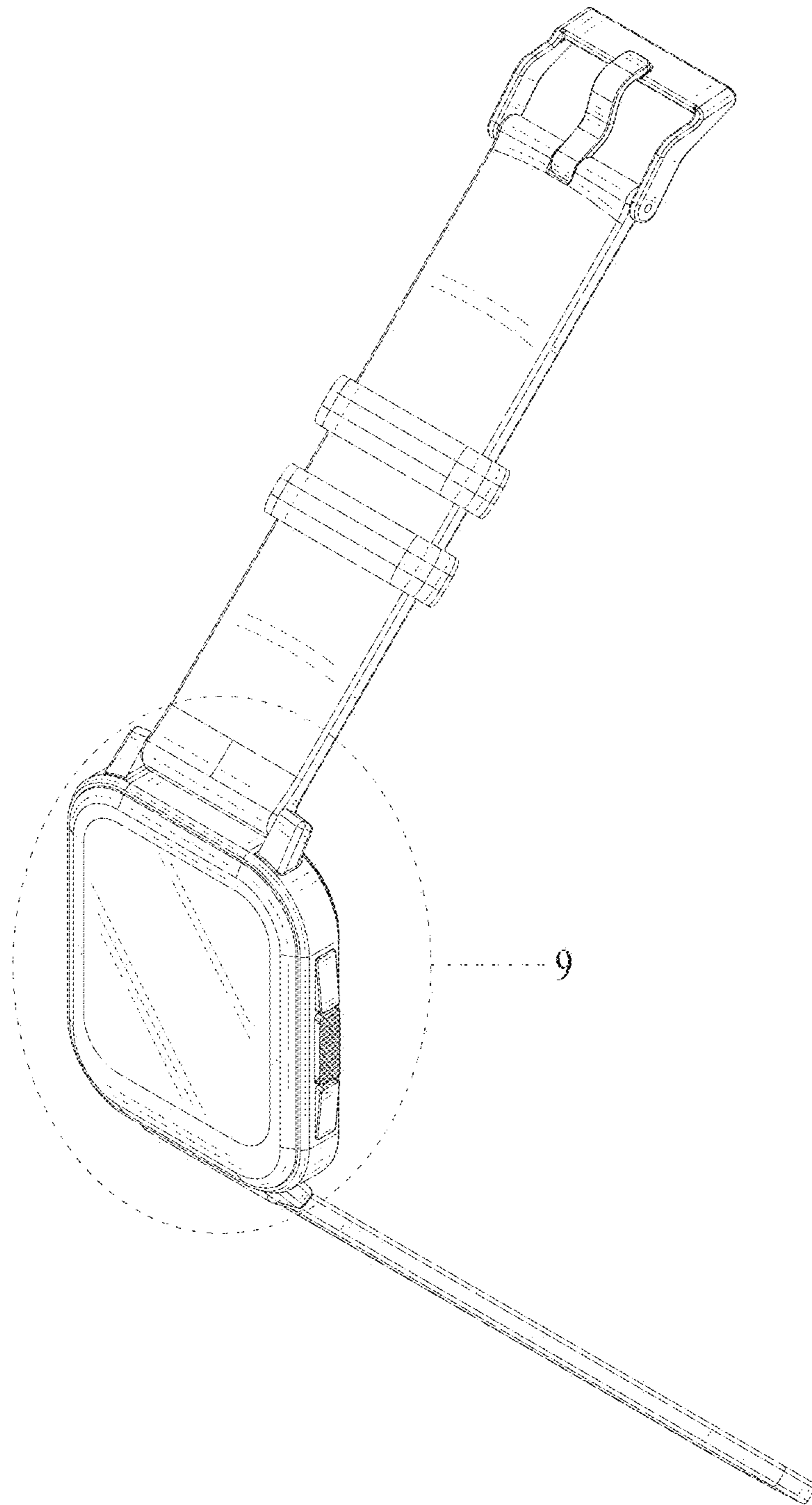


FIG. 1

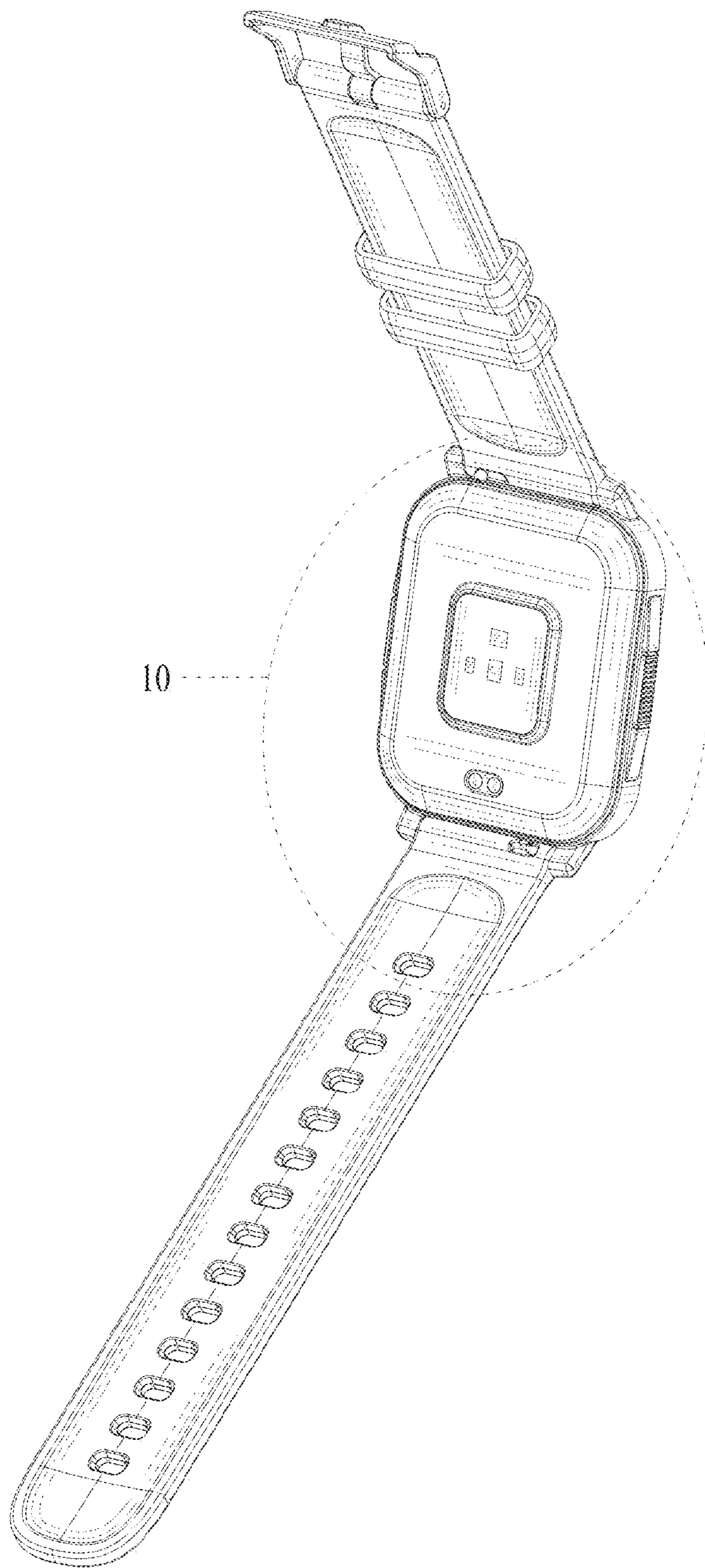


FIG. 2

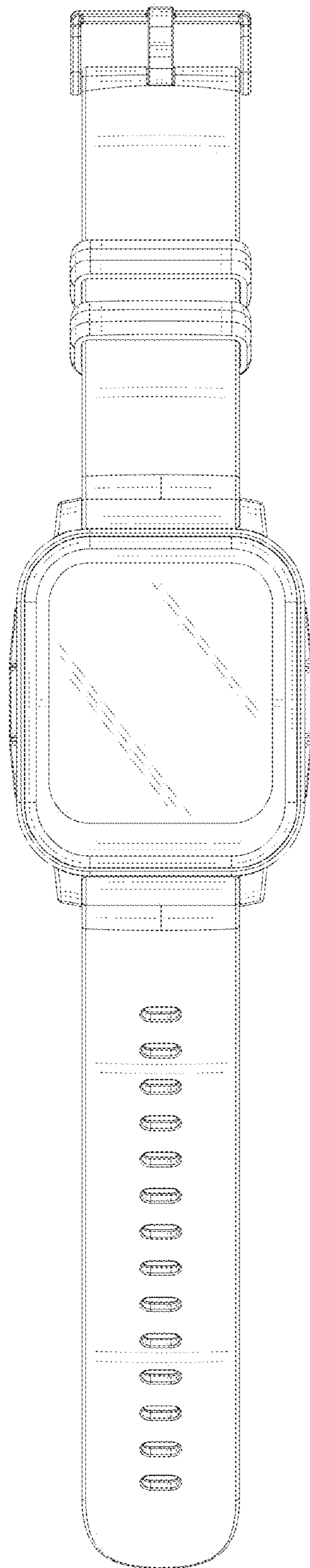


FIG. 3

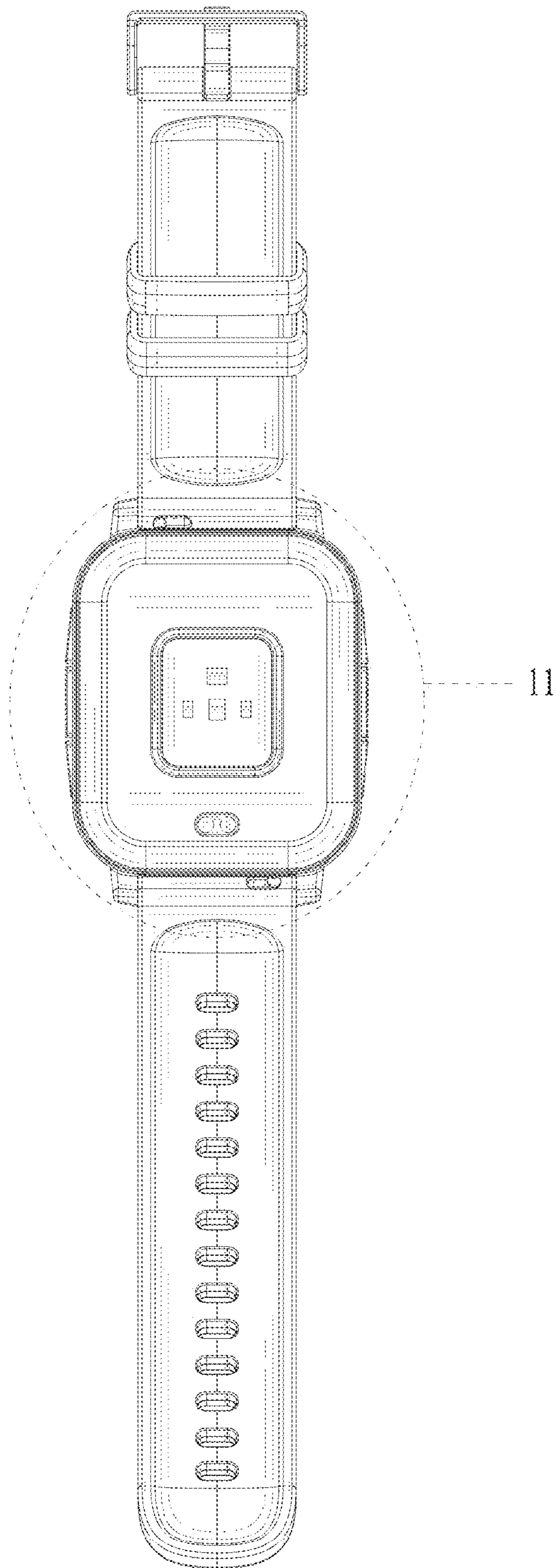


FIG. 4

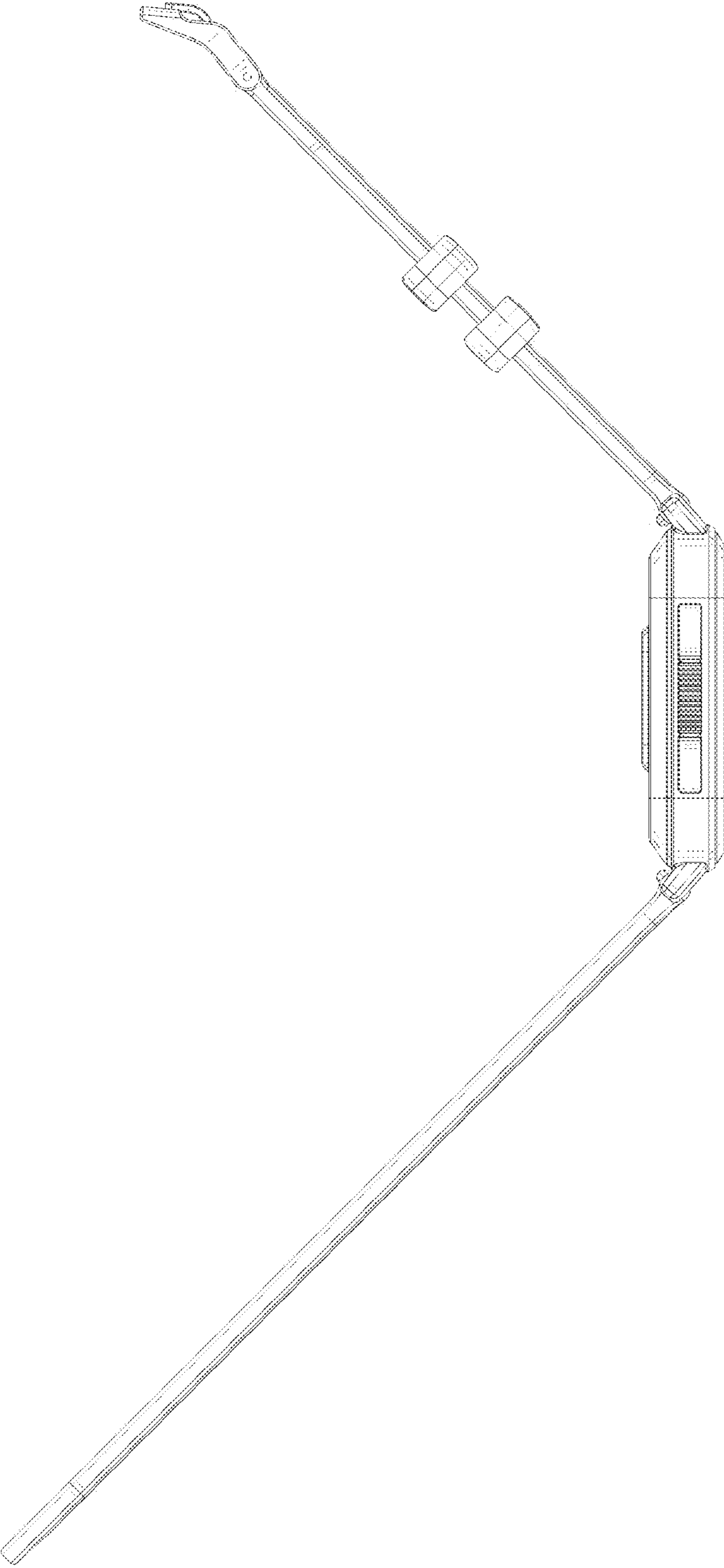


FIG. 5

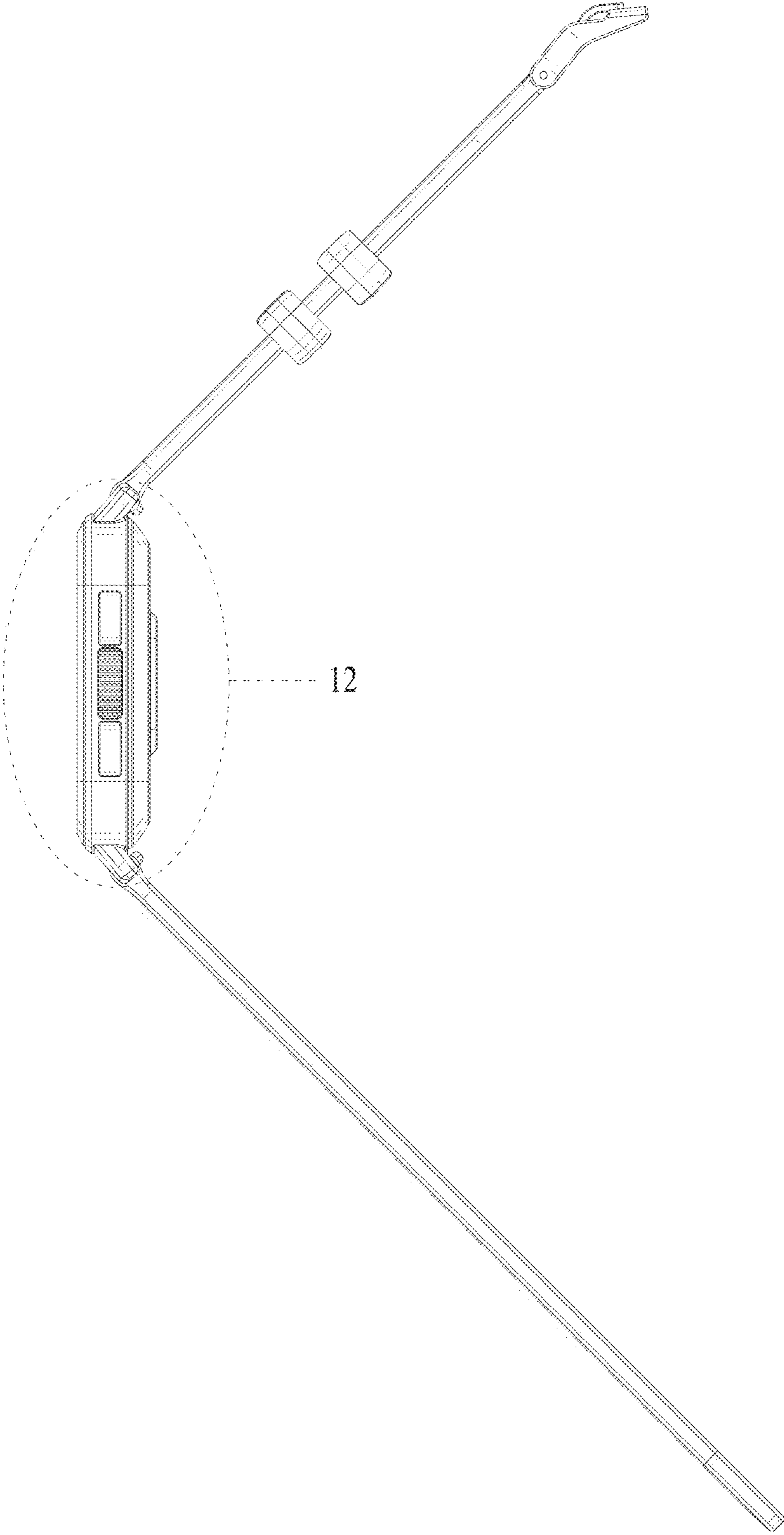


FIG. 6

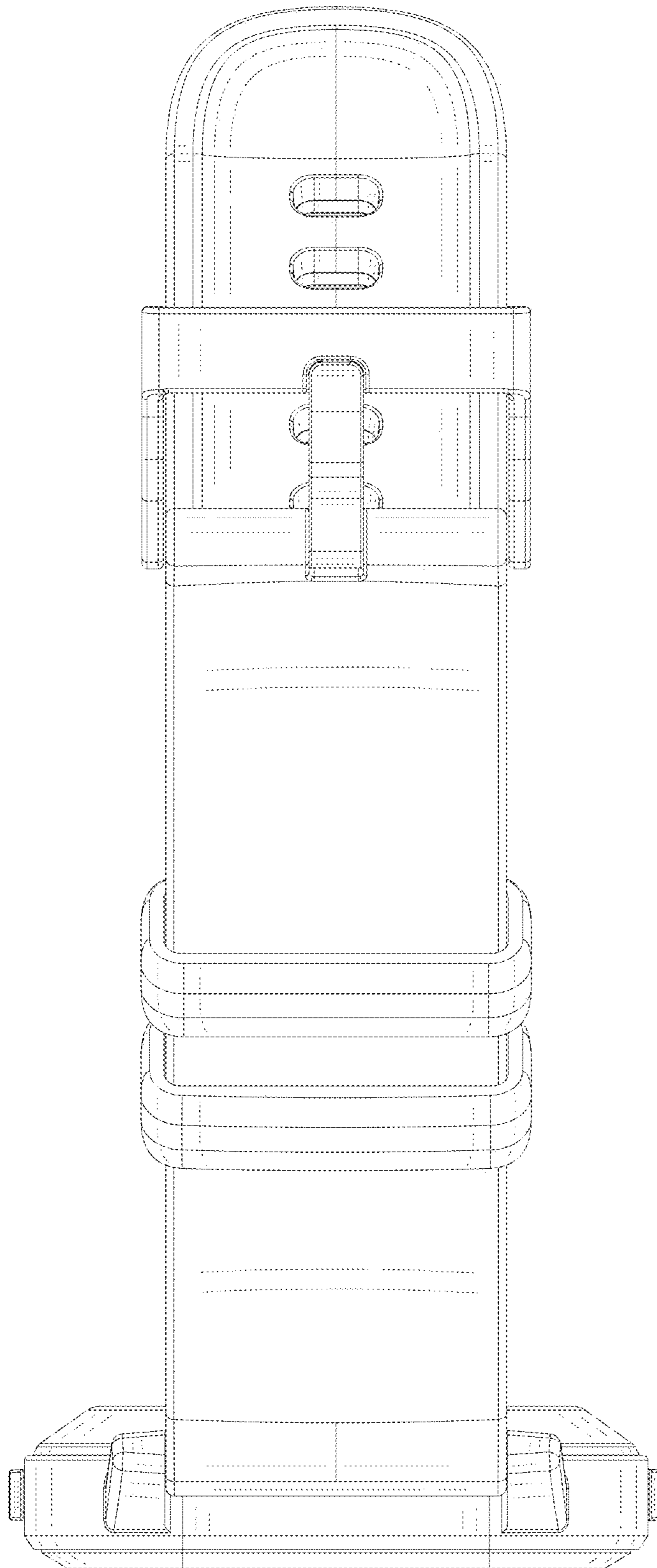


FIG. 7

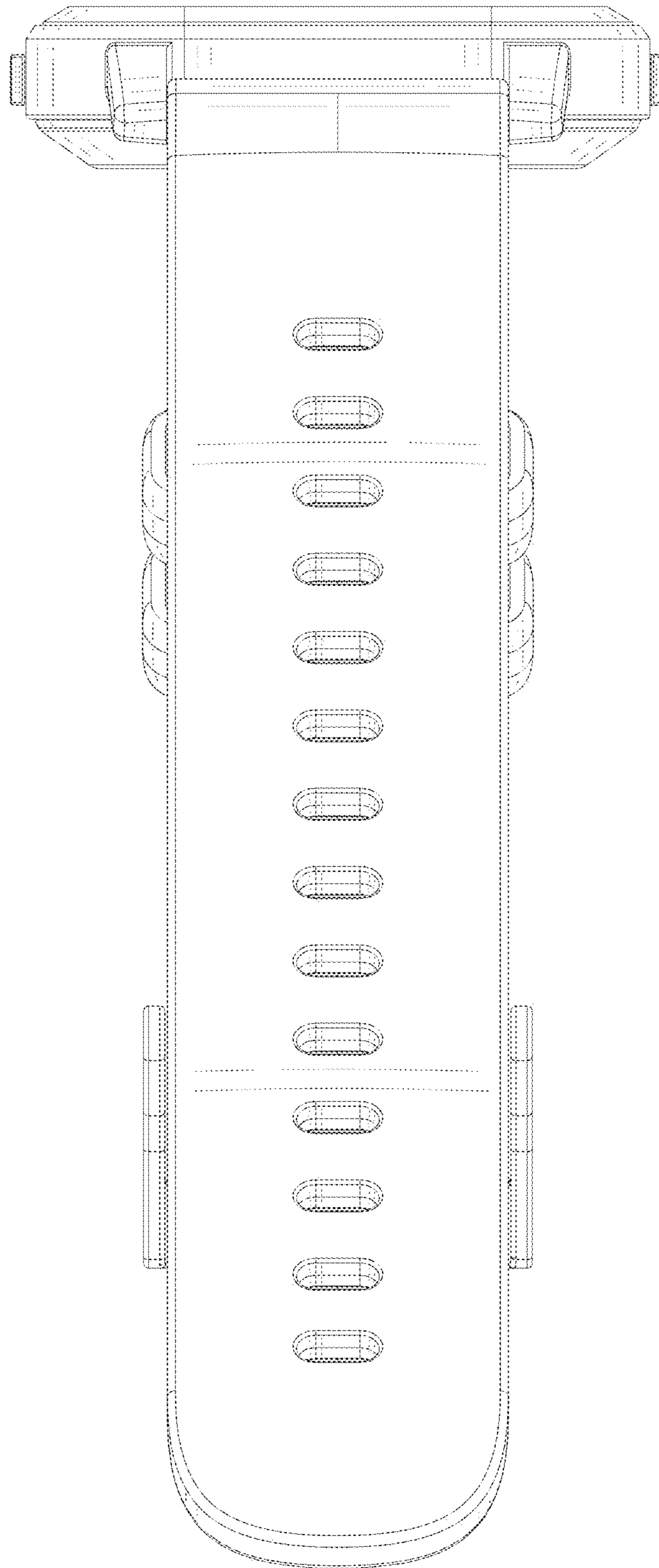


FIG. 8



FIG. 9

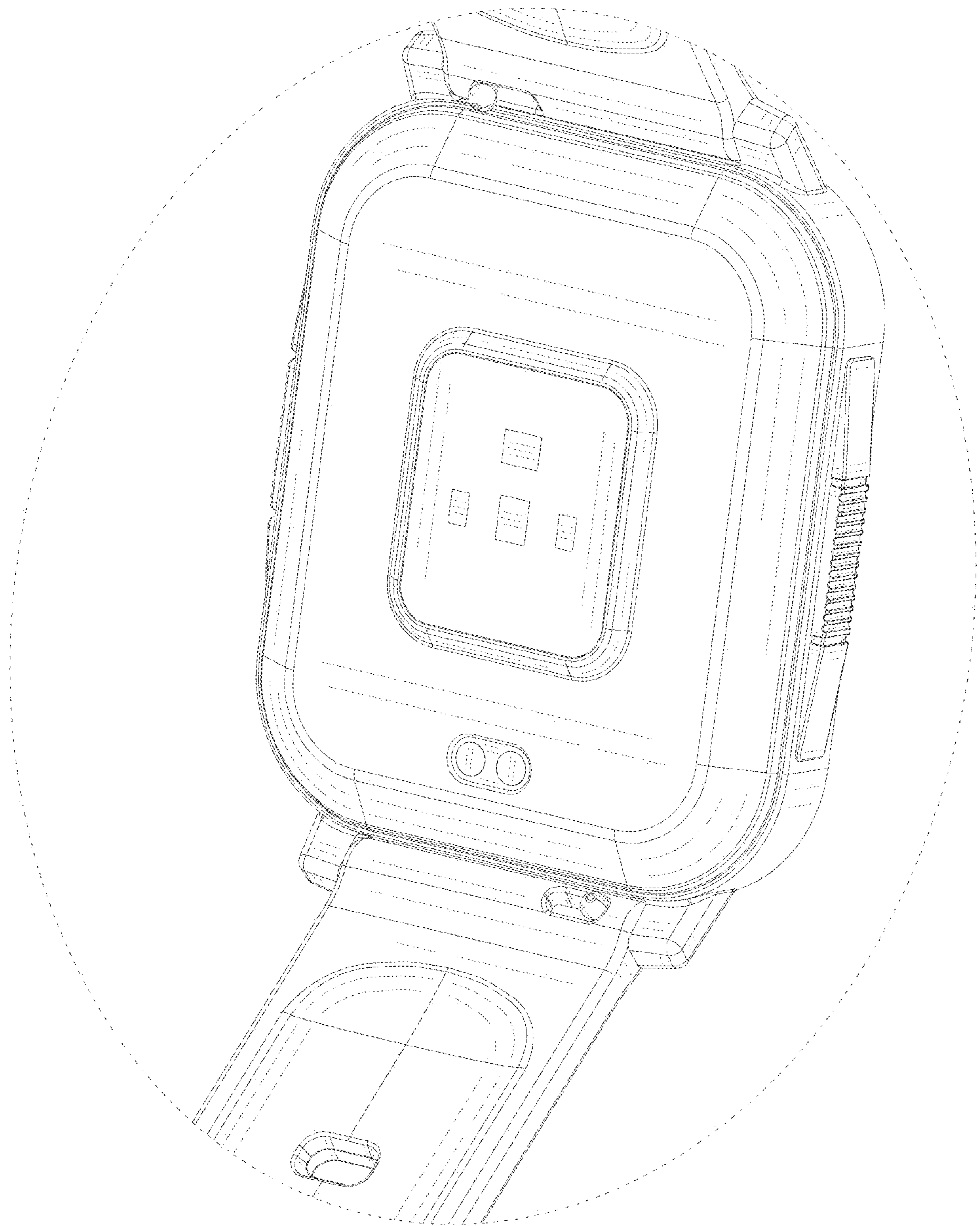


FIG. 10

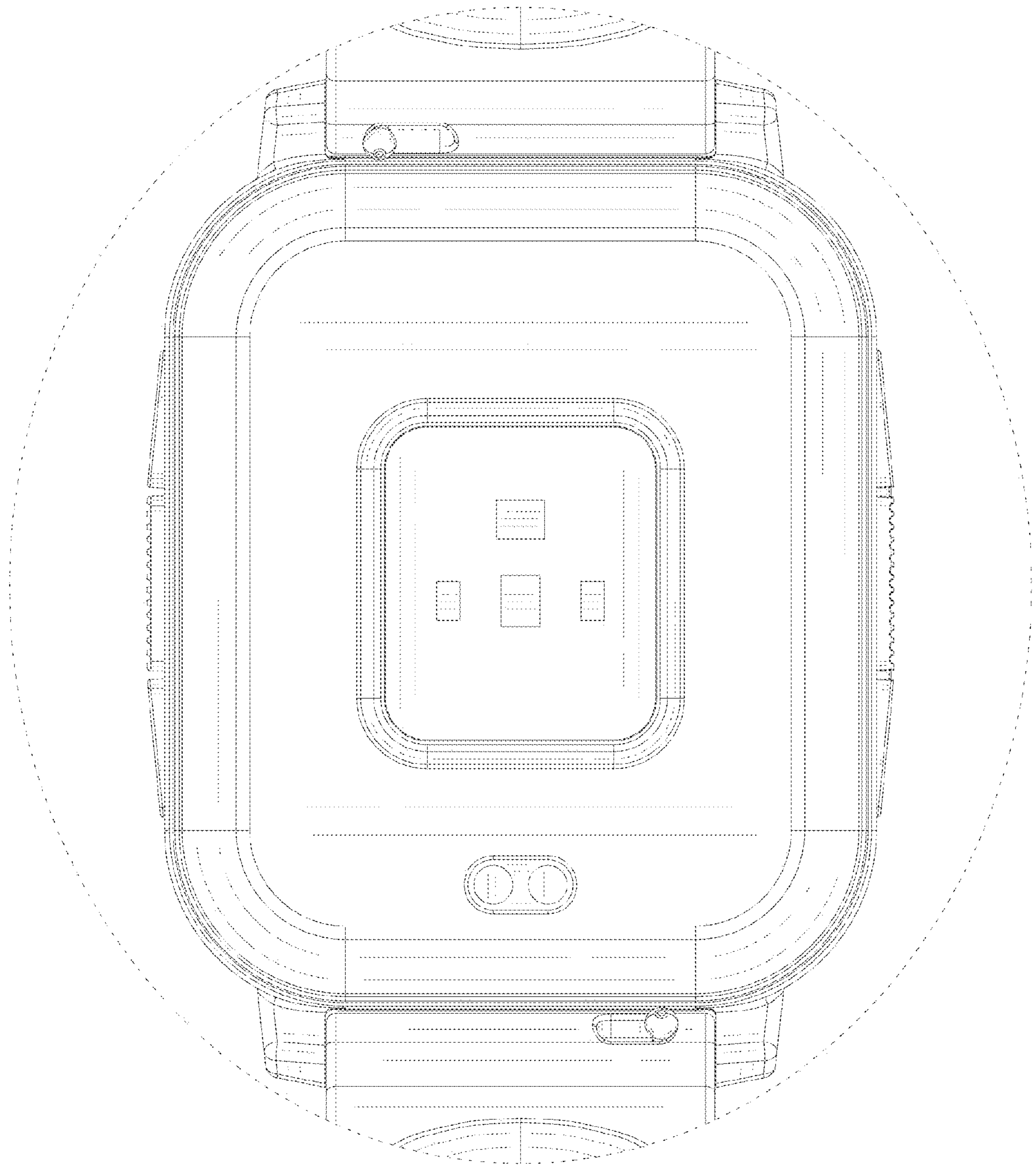


FIG. 11

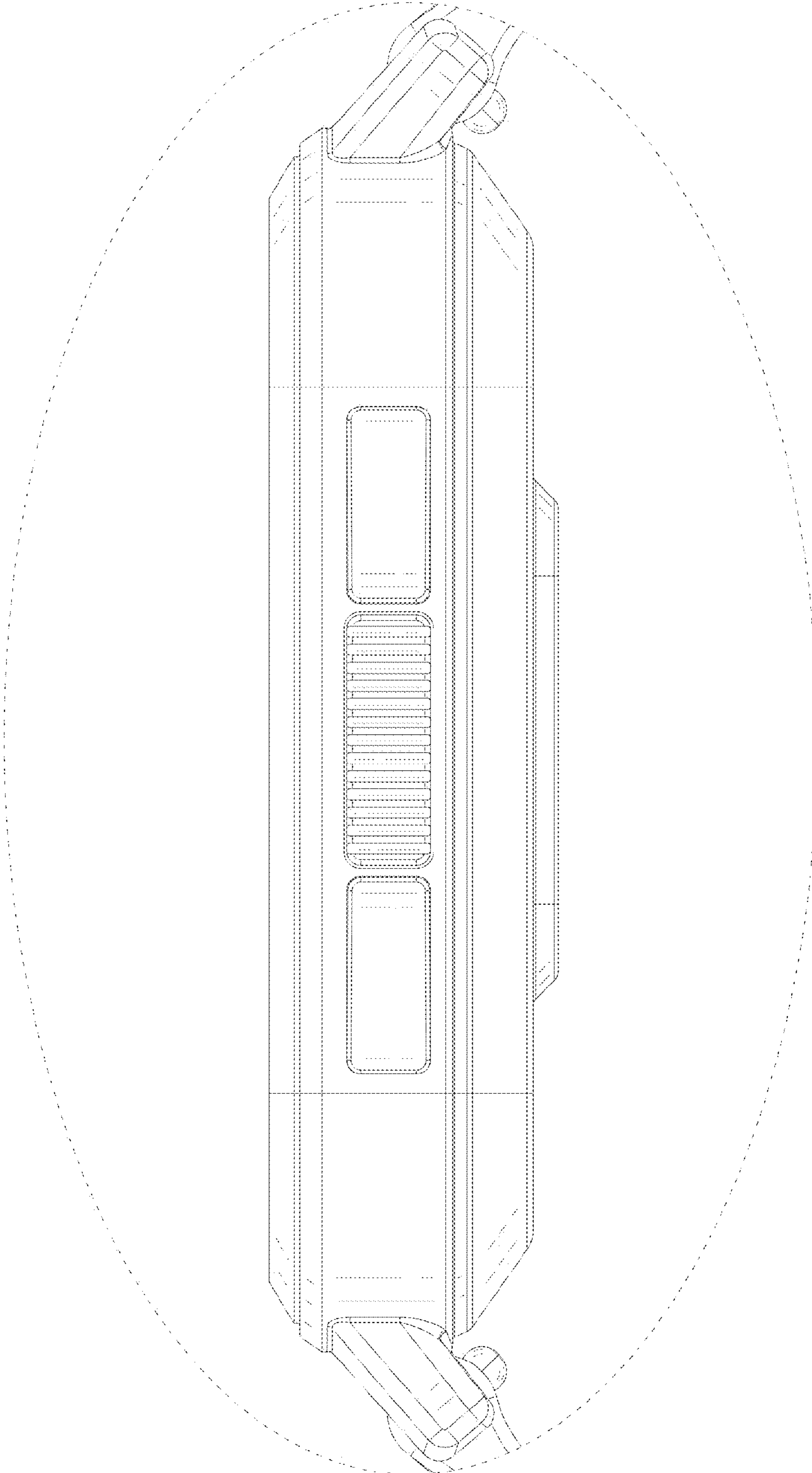


FIG. 12