



US00D989066S

(12) **United States Design Patent**
Wang

(10) **Patent No.:** **US D989,066 S**
(45) **Date of Patent:** **** Jun. 13, 2023**

(54) **MINI PERSONAL COMPUTER**

(71) Applicant: **Tao Wang**, Shenzhen (CN)

(72) Inventor: **Tao Wang**, Shenzhen (CN)

(**) Term: **15 Years**

(21) Appl. No.: **29/830,886**

(22) Filed: **Mar. 16, 2022**

(51) **LOC (14) Cl.** **14-02**

(52) **U.S. Cl.**
USPC **D14/314**; D14/300

(58) **Field of Classification Search**
USPC D14/203.1–203.3, 300–302, 308–312,
D14/341, 347, 349, 353–359, 361–363,
D14/367, 432–435; D13/158, 162–164,
D13/184
CPC G06F 1/20; G06F 2200/1631; G06F
2200/1638

See application file for complete search history.

(56) **References Cited**

U.S. PATENT DOCUMENTS

D375,297 S *	11/1996	Casarez	D14/242
5,749,637 A *	5/1998	McMahan	A47B 91/00
				248/688
D396,848 S *	8/1998	Hill	D14/362
D436,919 S *	1/2001	Wakefield	D13/110
D464,966 S *	10/2002	Yeh	D14/367
D523,427 S *	6/2006	Tsuzuki	D14/308
D542,289 S *	5/2007	Diebel	D14/356
D574,833 S *	8/2008	Hussaini	D13/107
D575,778 S *	8/2008	Dearborn	D14/300
D585,439 S *	1/2009	Ching	D14/300
D588,593 S *	3/2009	Hamaguchi	D14/300
D590,394 S *	4/2009	Kondo	D14/363
D595,293 S *	6/2009	Harden	D14/240
D614,619 S *	4/2010	Haase	D14/349
D614,620 S *	4/2010	Haase	D14/349
D623,188 S *	9/2010	Son	D14/434
D624,913 S *	10/2010	Chen	D14/356

(Continued)

FOREIGN PATENT DOCUMENTS

CN	303702940	*	6/2016
CN	303777075	*	8/2016
CN	303871716	*	9/2016

OTHER PUBLICATIONS

Mini Gaming PC, ACE Magician, youtube.com, published by Chigz Tech Reviews on Mar. 12, 2022 © not listed, online, site visited Jul. 21, 2022. Available at URL: <https://www.youtube.com/watch?v=hPg6cHvLFZg> (Year: 2022).*

(Continued)

Primary Examiner — Holly E Thurman
Assistant Examiner — Altaira J Swangin
(74) *Attorney, Agent, or Firm* — Georgi Korobanov

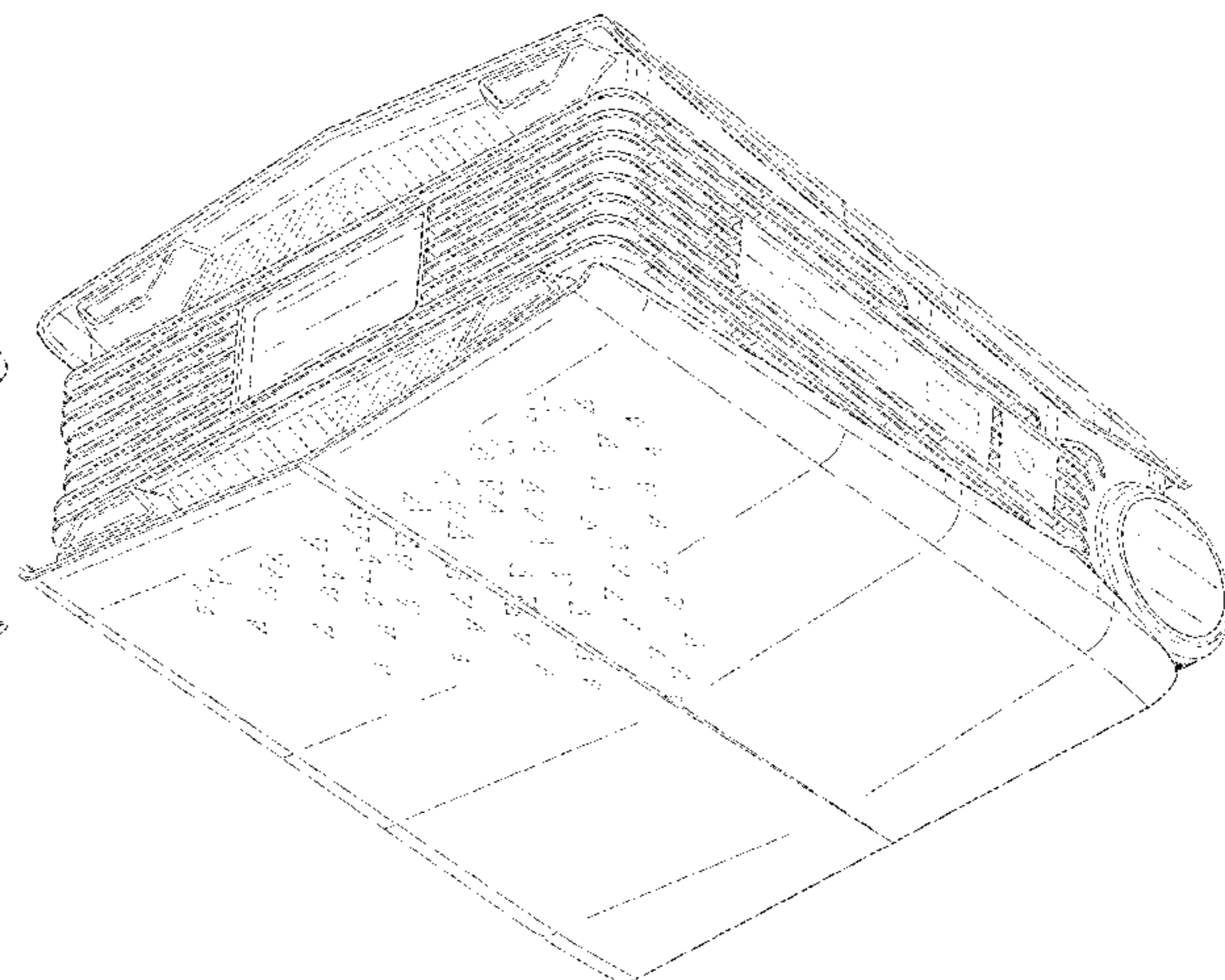
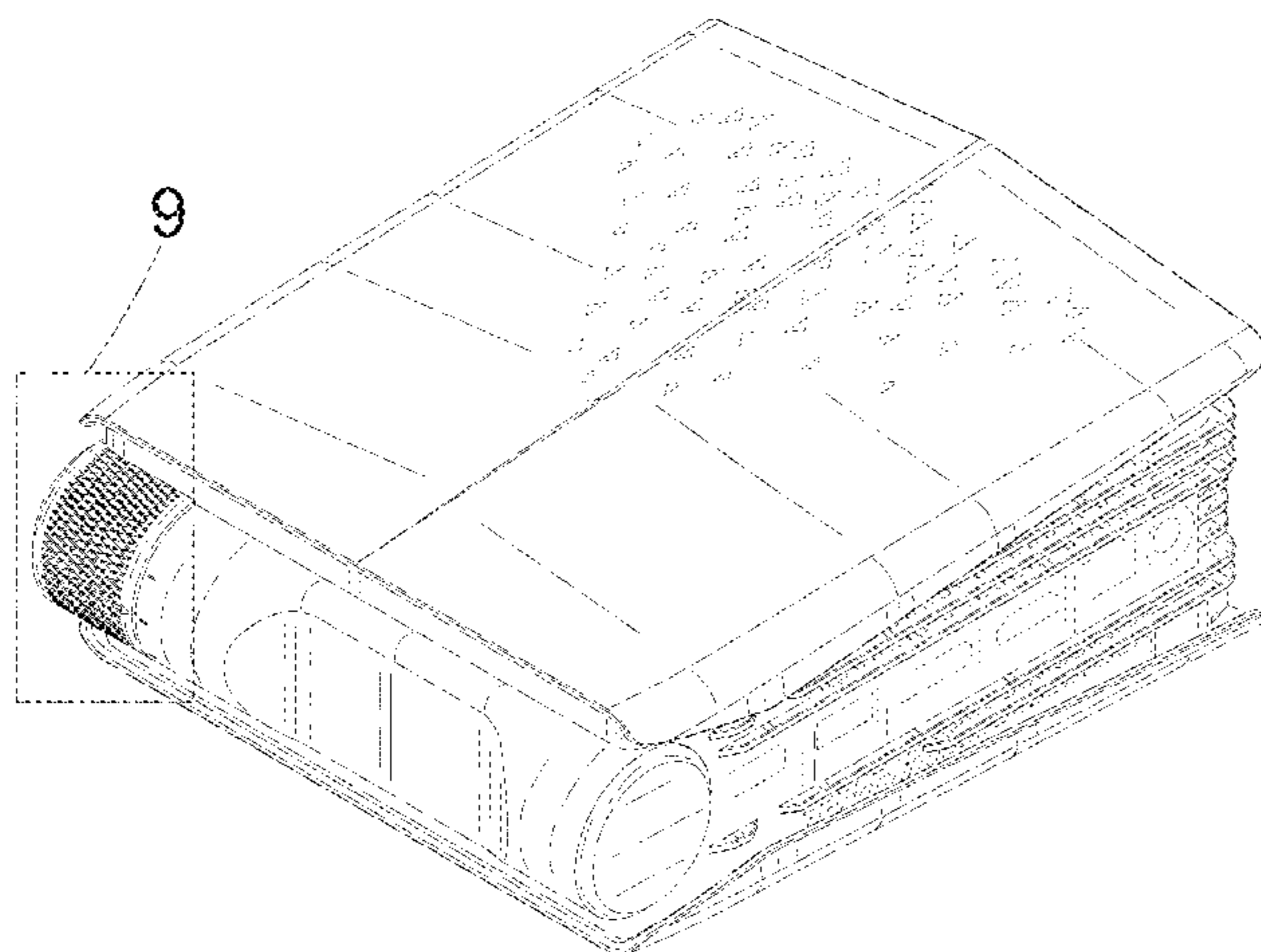
(57) **CLAIM**

The ornamental design for a mini personal computer, as shown and described.

DESCRIPTION

FIG. 1 is a perspective view of a mini personal computer, showing my new design;
FIG. 2 is another perspective view thereof;
FIG. 3 is a front view thereof;
FIG. 4 is a rear view thereof;
FIG. 5 is a left side view thereof;
FIG. 6 is a right side view thereof;
FIG. 7 is a top plan view thereof;
FIG. 8 is a bottom plan view thereof; and,
FIG. 9 is an enlarged view of portion 9 shown in FIG. 1.
The even-dash broken lines shown in the drawings illustrate portions of the mini personal computer that form no part of the claimed design. The dash-dot broken lines represent the extent of the detail views and form no part thereof.

1 Claim, 9 Drawing Sheets



(56)

References Cited

U.S. PATENT DOCUMENTS

D644,221 S * 8/2011 Kemery D14/240
 D647,918 S * 11/2011 Ledbetter D14/203.3
 D705,189 S * 5/2014 Chovin D14/433
 D709,507 S * 7/2014 McParland D14/435
 D720,347 S 12/2014 Lo
 D737,818 S * 9/2015 Peng D14/365
 D794,015 S * 8/2017 Probst D14/349
 D794,020 S * 8/2017 Homza D14/240
 D807,353 S * 1/2018 Chana D14/349
 D821,386 S 6/2018 Dou
 D832,837 S * 11/2018 Pennington, Jr. D14/344
 D842,297 S * 3/2019 Pennington, Jr. D14/434
 D842,304 S * 3/2019 Depay D14/435
 D861,693 S * 10/2019 Ranade D14/432
 D912,656 S * 3/2021 Hwang D14/351
 D918,920 S * 5/2021 Fan D13/179
 D929,996 S * 9/2021 Yang G06F 1/1609
 D14/432
 2021/0303039 A1* 9/2021 Morisawa H05K 7/20336

OTHER PUBLICATIONS

AMD Radeon 5 4500U Mini PC, ACE, geeky-gadgets.com, published by Julian Horsey on Mar. 9, 2022 © 2007-2022 Geeky Gadgets, online, site visited Jul. 21, 2022. Available at URL: <https://www.geeky-gadgets.com/amr5-ultra-quiet-amd-radeon-5-4500u-mini-pc-09-03-2022/> (Year: 2022).*

ROG GR8 and G20 Mini PCs, Asus, asus.com, published by Asus on Jul. 7, 2014 © 2014 ASUSTek Computer, Inc., online, site visited Jul. 21, 2022. Available at URL: https://www.asus.com/Microsite/rog/GR8_G20/ (Year: 2014).*

Syber SCC0100 Orange Mini ITX Gaming Case, CyberpowerPC, amazon.com, published by CyberpowerPC, first available on Nov. 15, 2018 © 1996-2022 Amazon.com, Inc., online, site visited Jul. 21, 2022. Available at URL: <https://www.amazon.com/CYBERPOWERPC-Syber-SCC0100-Orange-Gaming/dp/B07KKJCKYH> (Year: 2018).*

AMR5 Mini PC, ACE Magician, indiegogo.com, published by ACE on Apr. 7, 2022 © 1996-2022 Amazon.com, Inc., online, site visited Jul. 21, 2022. Available at URL: https://www.indiegogo.com/projects/the-first-mini-pc-with-three-operation-modes# (Year: 2022).*

* cited by examiner

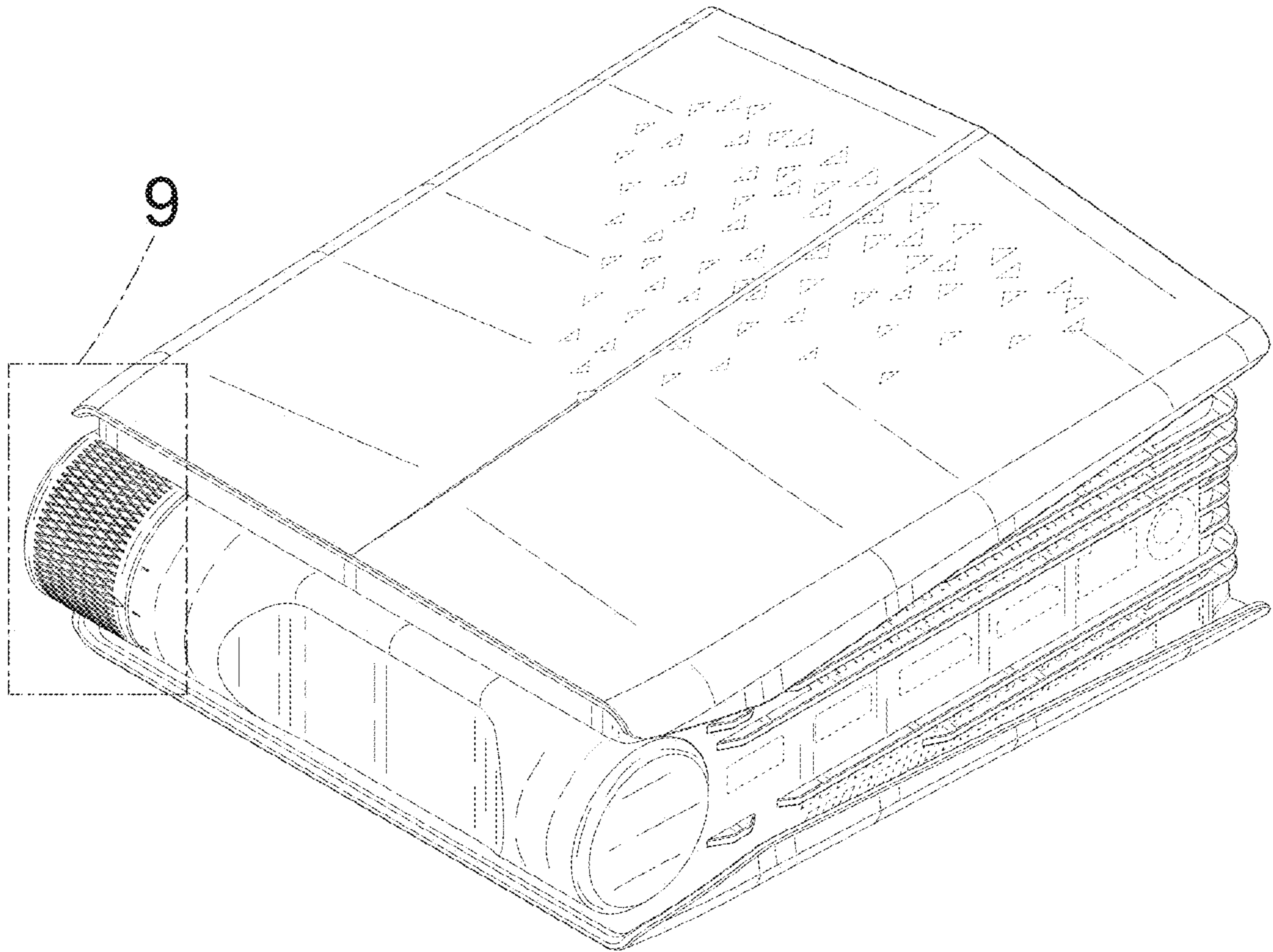


FIG. 1

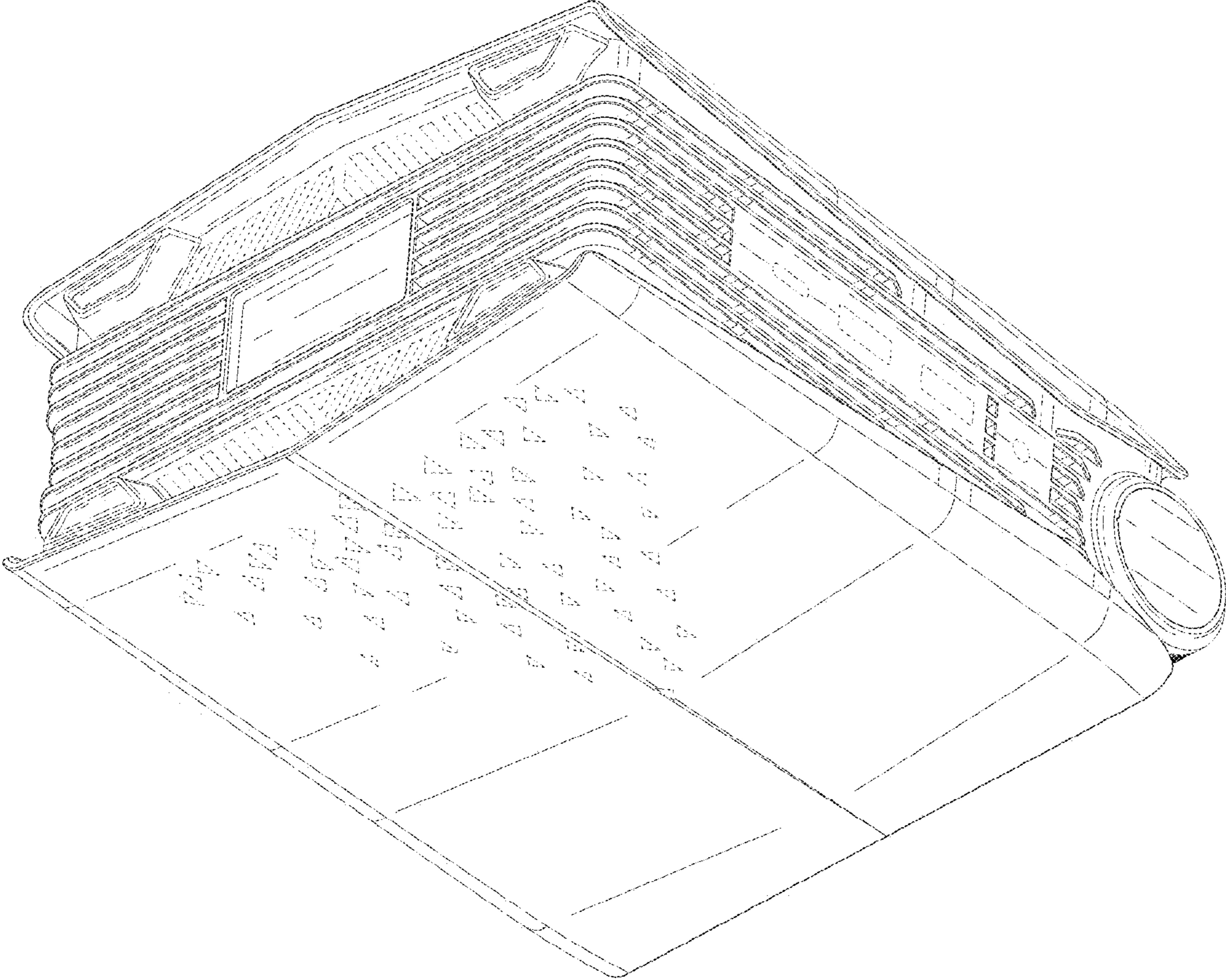


FIG. 2

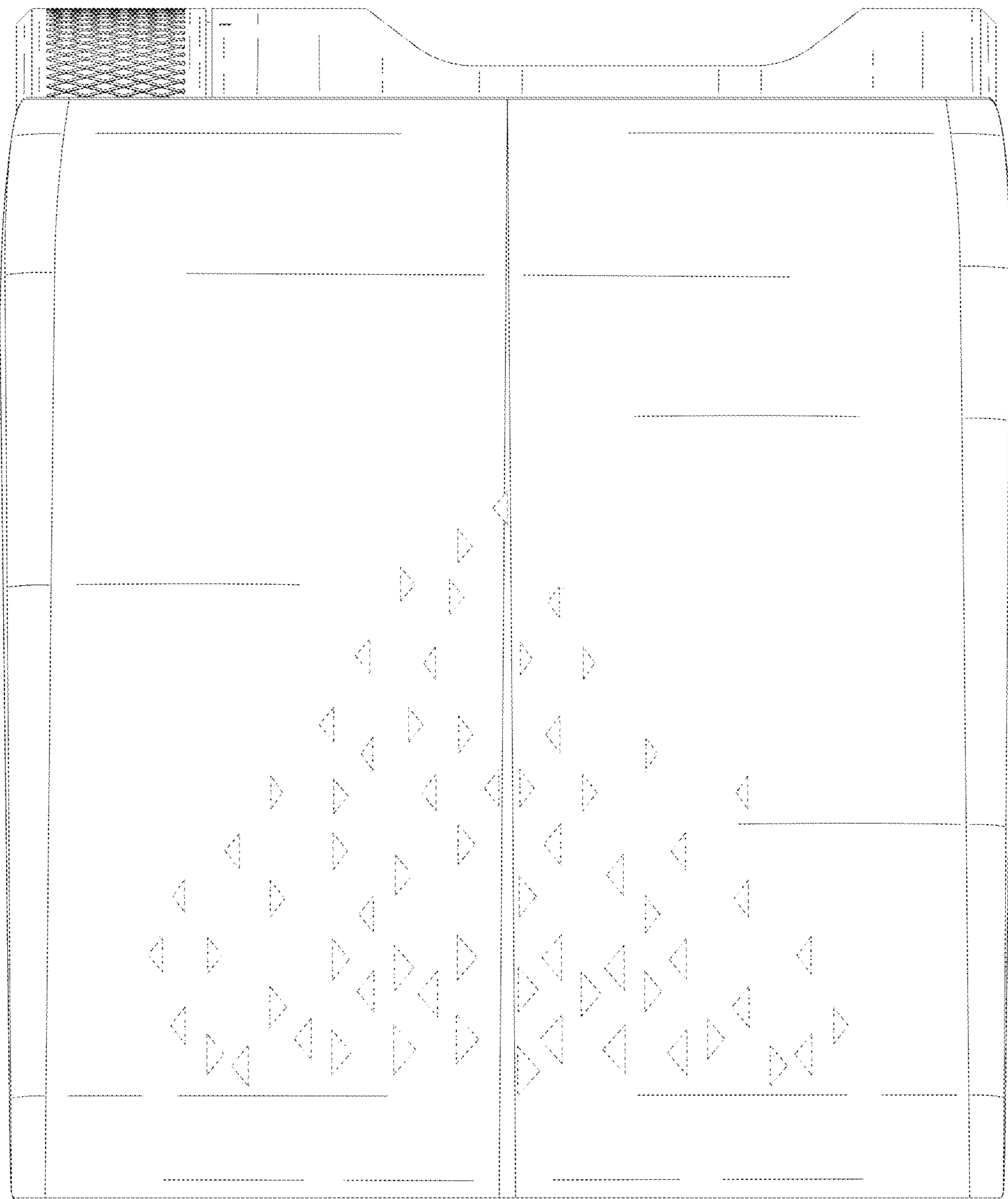


FIG. 3

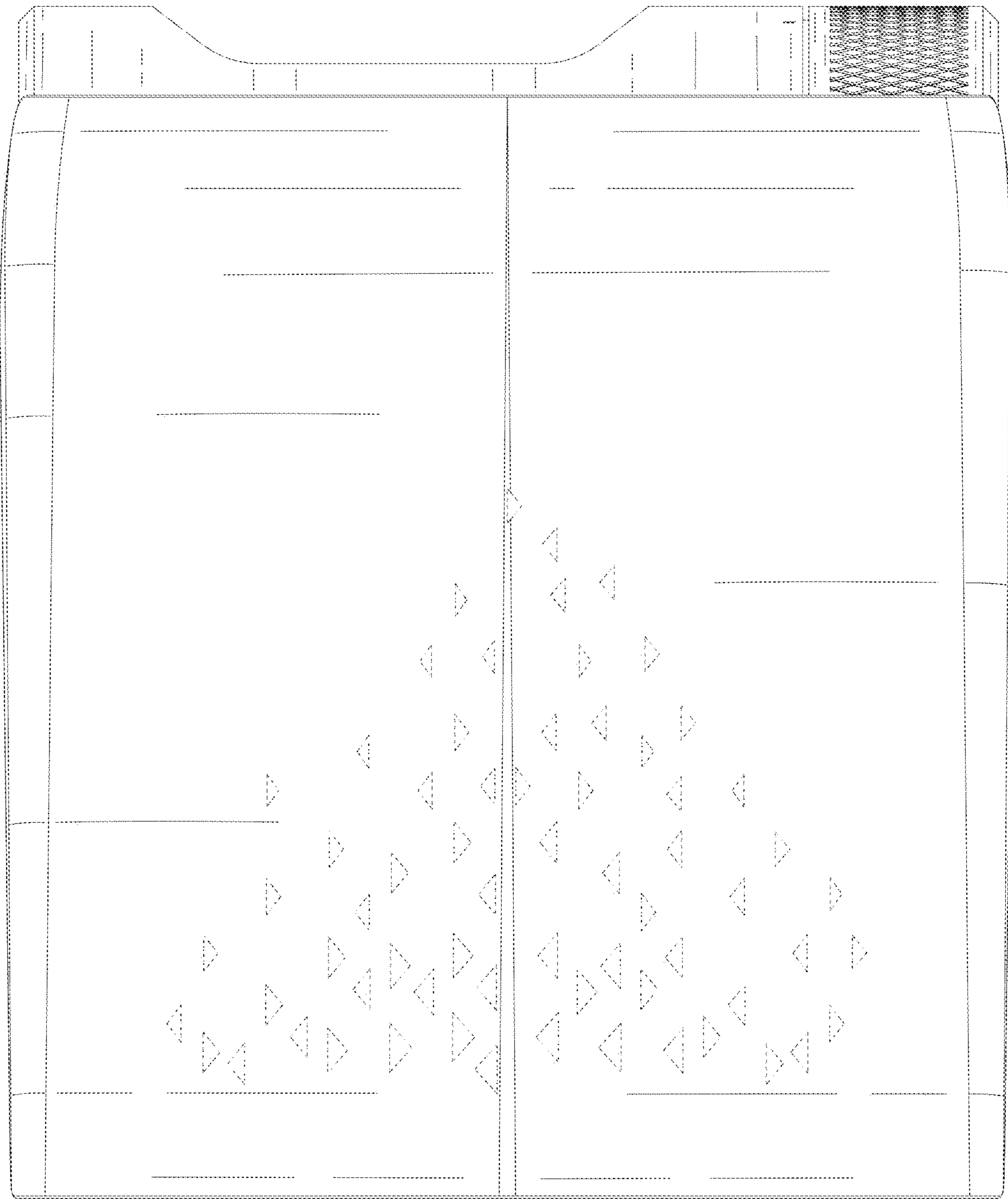


FIG. 4

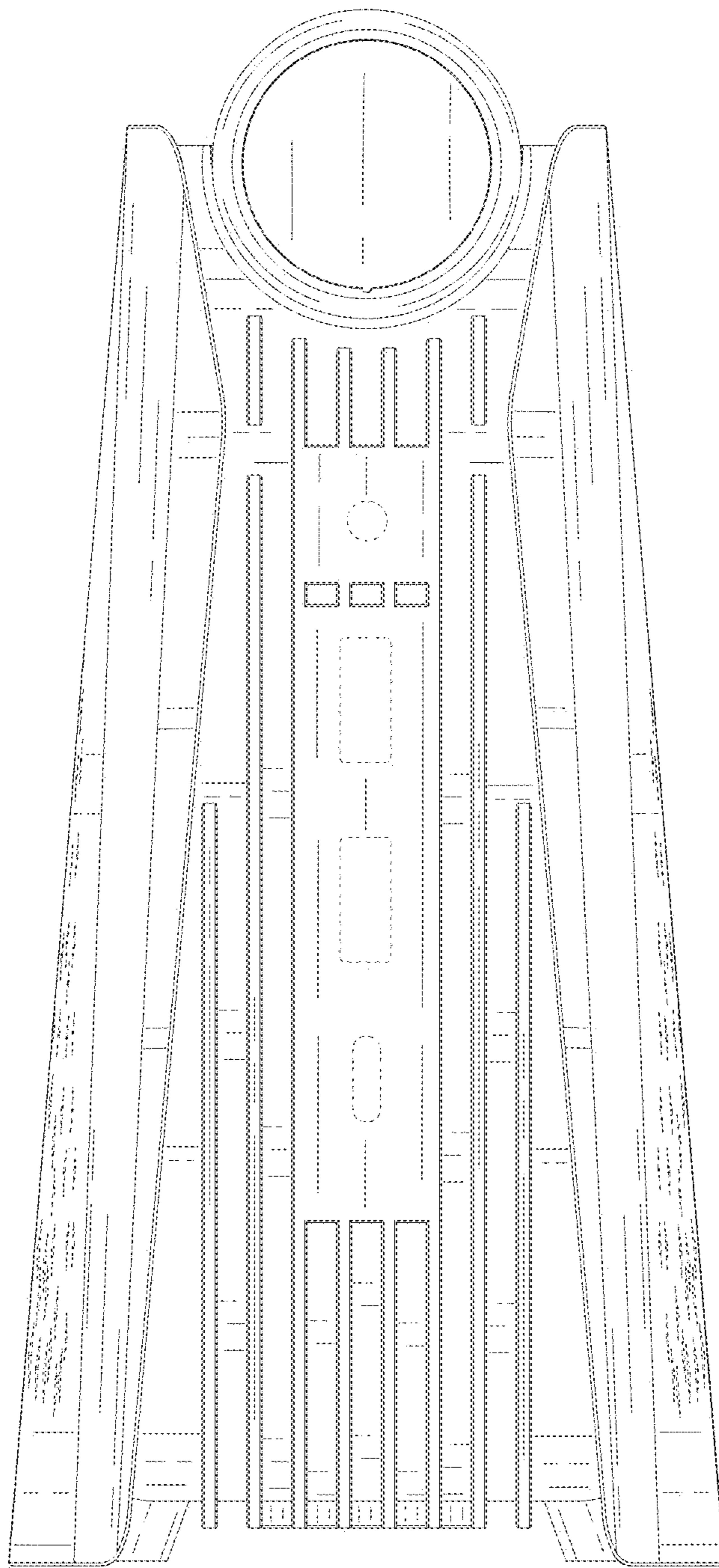


FIG. 5

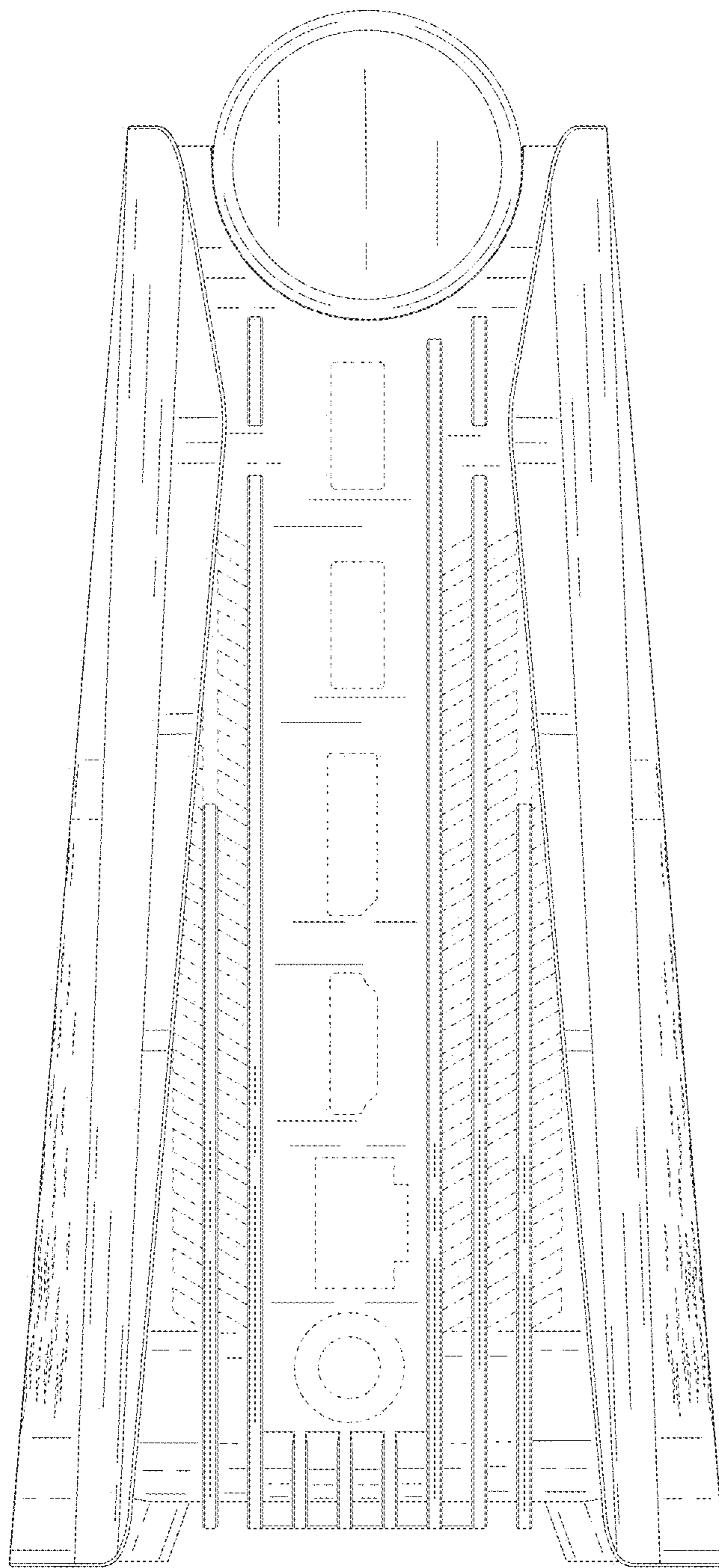


FIG. 6

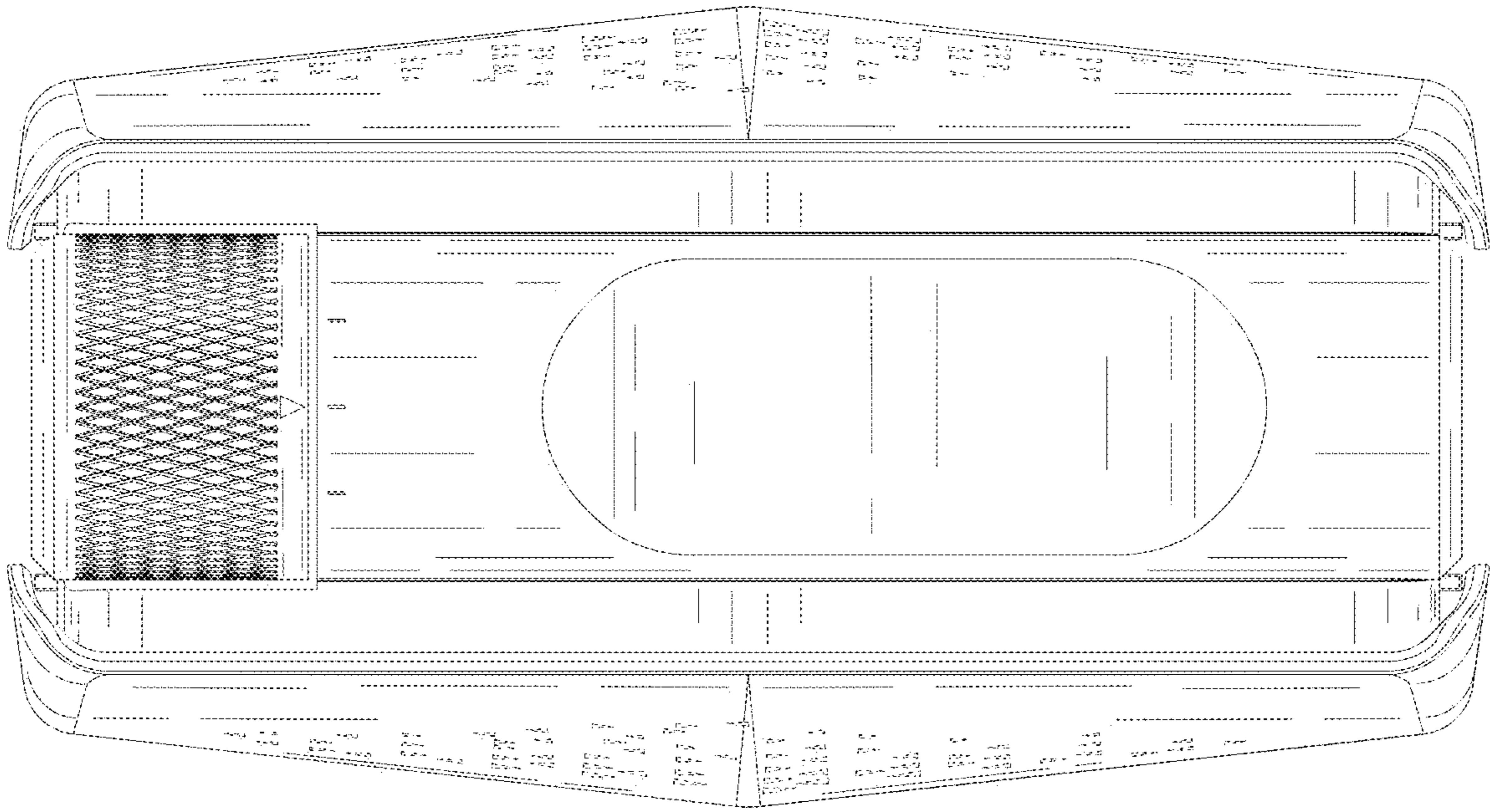


FIG. 7

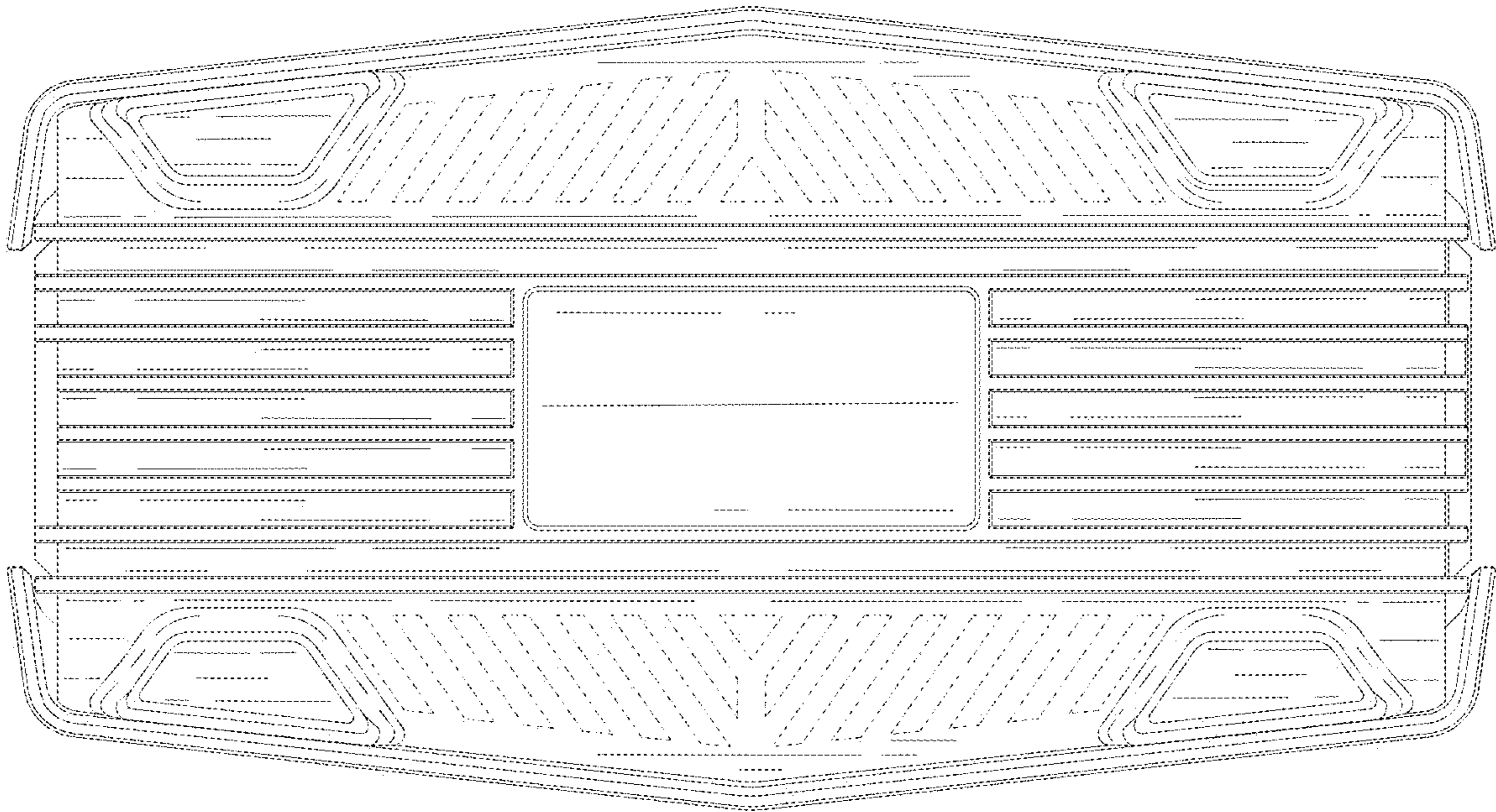


FIG. 8

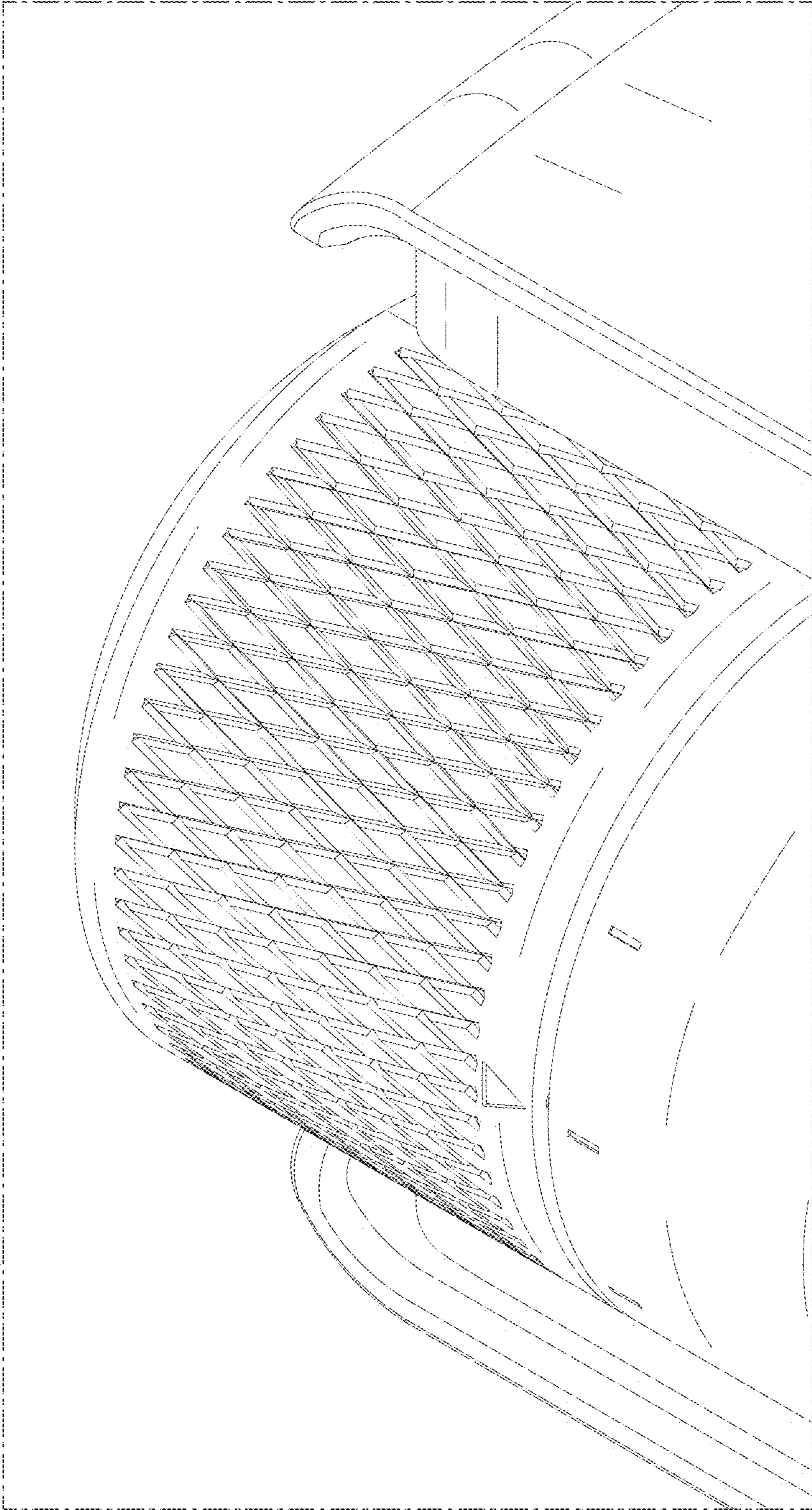


FIG. 9