



US00D989065S

(12) **United States Design Patent**
Yi

(10) **Patent No.:** **US D989,065 S**

(45) **Date of Patent:** **** Jun. 13, 2023**

(54) **BATH BRUSH**

(71) Applicant: **Huijuan Yi**, Hengyang (CN)

(72) Inventor: **Huijuan Yi**, Hengyang (CN)

(**) Term: **15 Years**

(21) Appl. No.: **29/780,809**

(22) Filed: **Apr. 27, 2021**

(51) **LOC (14) Cl.** **04-02**

(52) **U.S. Cl.**
USPC **D4/127**

(58) **Field of Classification Search**
USPC D4/116-118, 127, 128, 130, 132, 133;
D28/7, 63

CPC A45D 24/14; A45D 24/16; A46B 3/005;
A46B 5/00; A46B 5/02; A46B 5/021;
A46B 9/02; A46B 9/021; A46B 9/023;
A46B 13/001; A46B 13/008; A46B
15/0055; A46B 15/0081; A46B 15/0087;
A46B 17/02; A46B 2200/30; A46B
2200/104; A46B 2200/106; A46B
2200/202; A46B 2200/205; A46B
2200/207; A46B 2200/304; A46B
2200/1006; A46B 2200/1046; A46B
2200/1053; A46B 2200/3006; A46B
2200/3033; A46B 2200/3093

See application file for complete search history.

(56) **References Cited**

U.S. PATENT DOCUMENTS

D462,483 S * 9/2002 Campbell D28/63
D514,328 S * 2/2006 Huang D4/127

D521,738 S * 5/2006 Huller D4/127
D539,546 S * 4/2007 Huller D4/127
D784,026 S * 4/2017 Shen D4/128
D810,447 S * 2/2018 Dandridge D4/127
D843,732 S * 3/2019 Kling D4/127
D851,407 S * 6/2019 Brown D4/127
D897,688 S * 10/2020 Li D4/136
D902,491 S * 11/2020 de la Cruz D28/63
D925,831 S * 7/2021 Yue D28/63
D927,066 S * 8/2021 Yue D28/63
D937,585 S * 12/2021 Shi D4/127
D972,312 S * 12/2022 Armstrong D4/127
D975,451 S * 1/2023 Tang D4/125

* cited by examiner

Primary Examiner — Austin Murphy

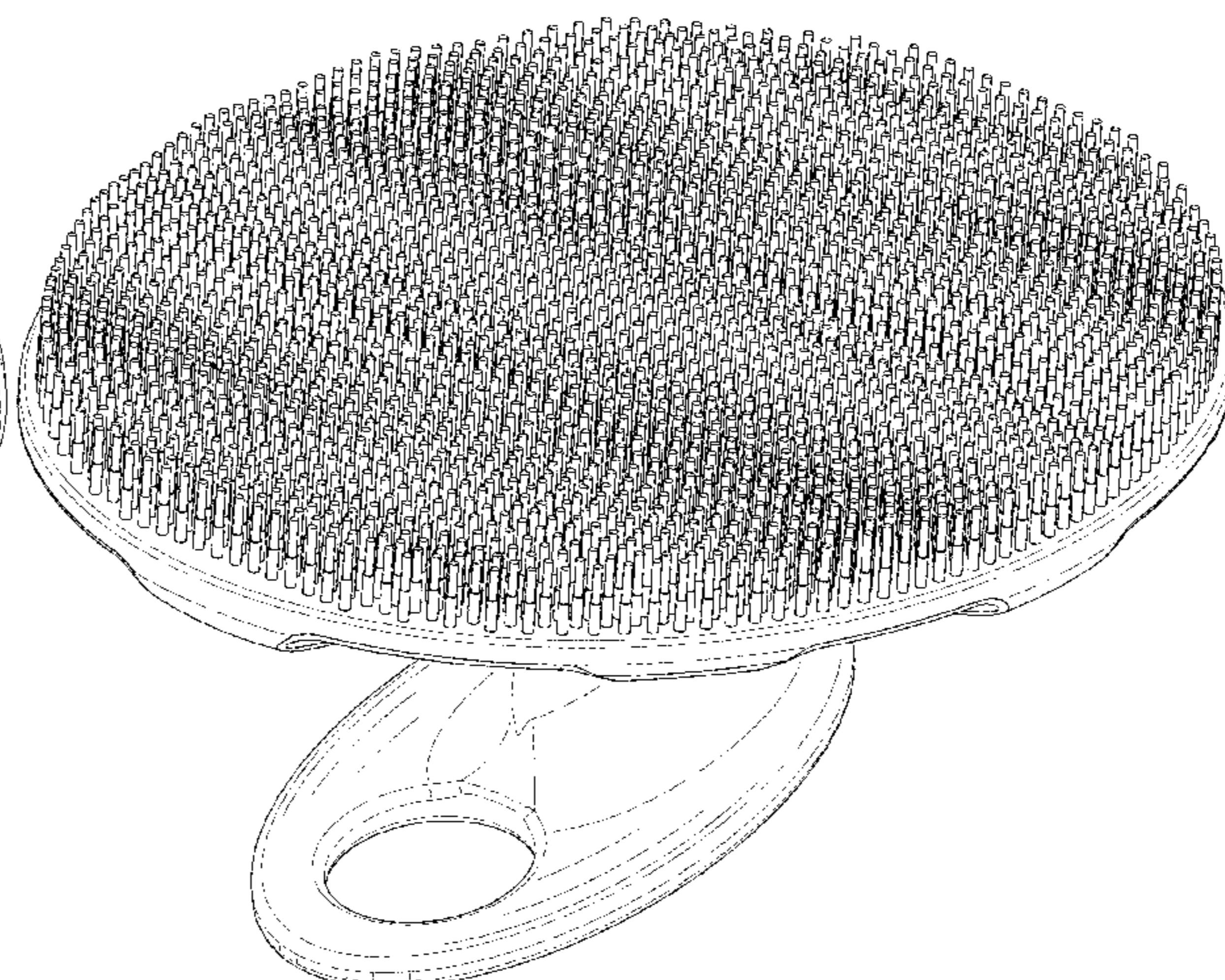
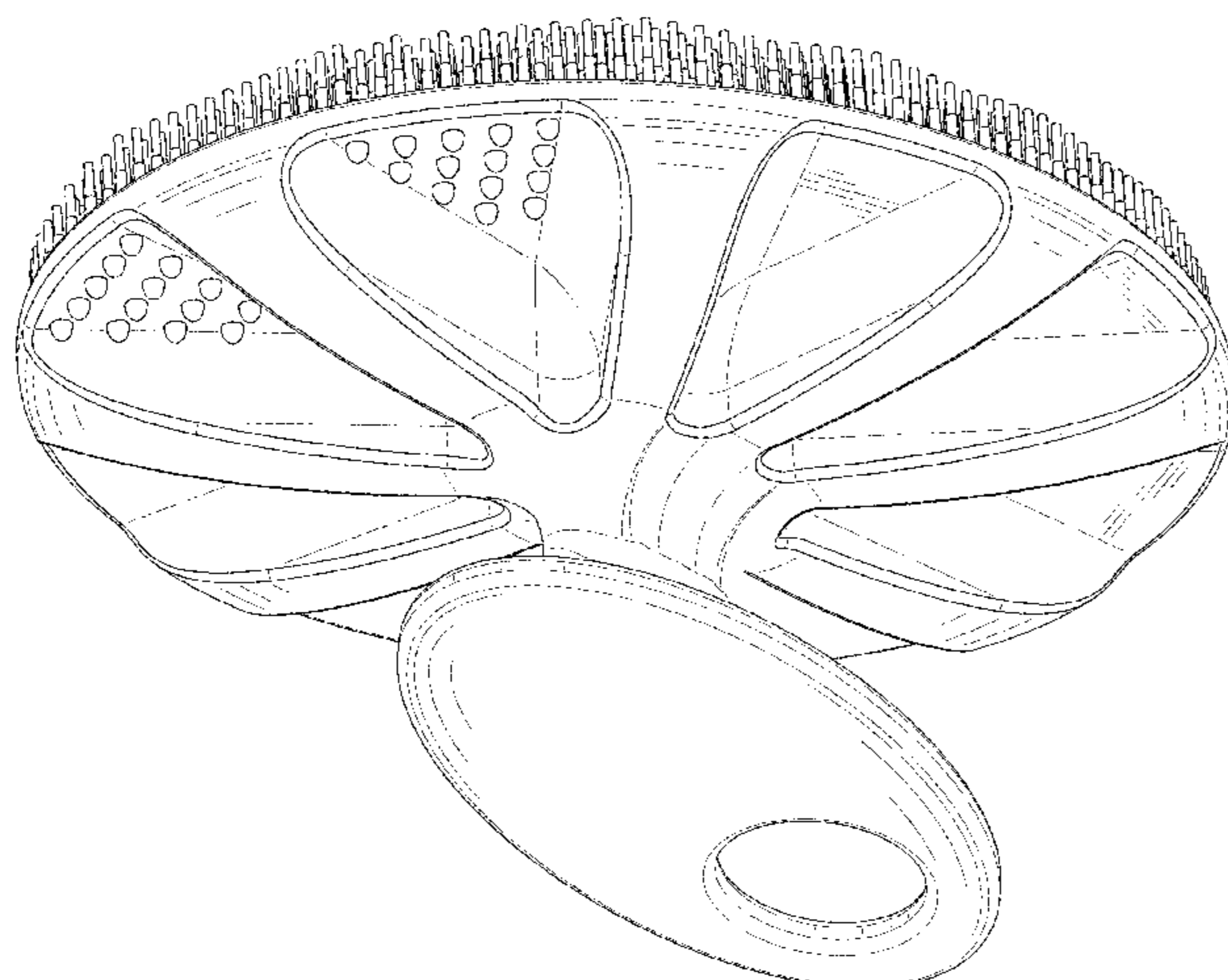
(57) **CLAIM**

The ornamental design for a bath brush, as shown and described.

DESCRIPTION

FIG. 1 is a perspective view of a bath brush showing my new design;
FIG. 2 is another perspective view thereof;
FIG. 3 is a front elevational view thereof;
FIG. 4 is a rear elevational view thereof;
FIG. 5 is a left side elevational view thereof;
FIG. 6 is a right side elevational view thereof;
FIG. 7 is a top plan view thereof; and,
FIG. 8 is a bottom plan view thereof.

1 Claim, 8 Drawing Sheets



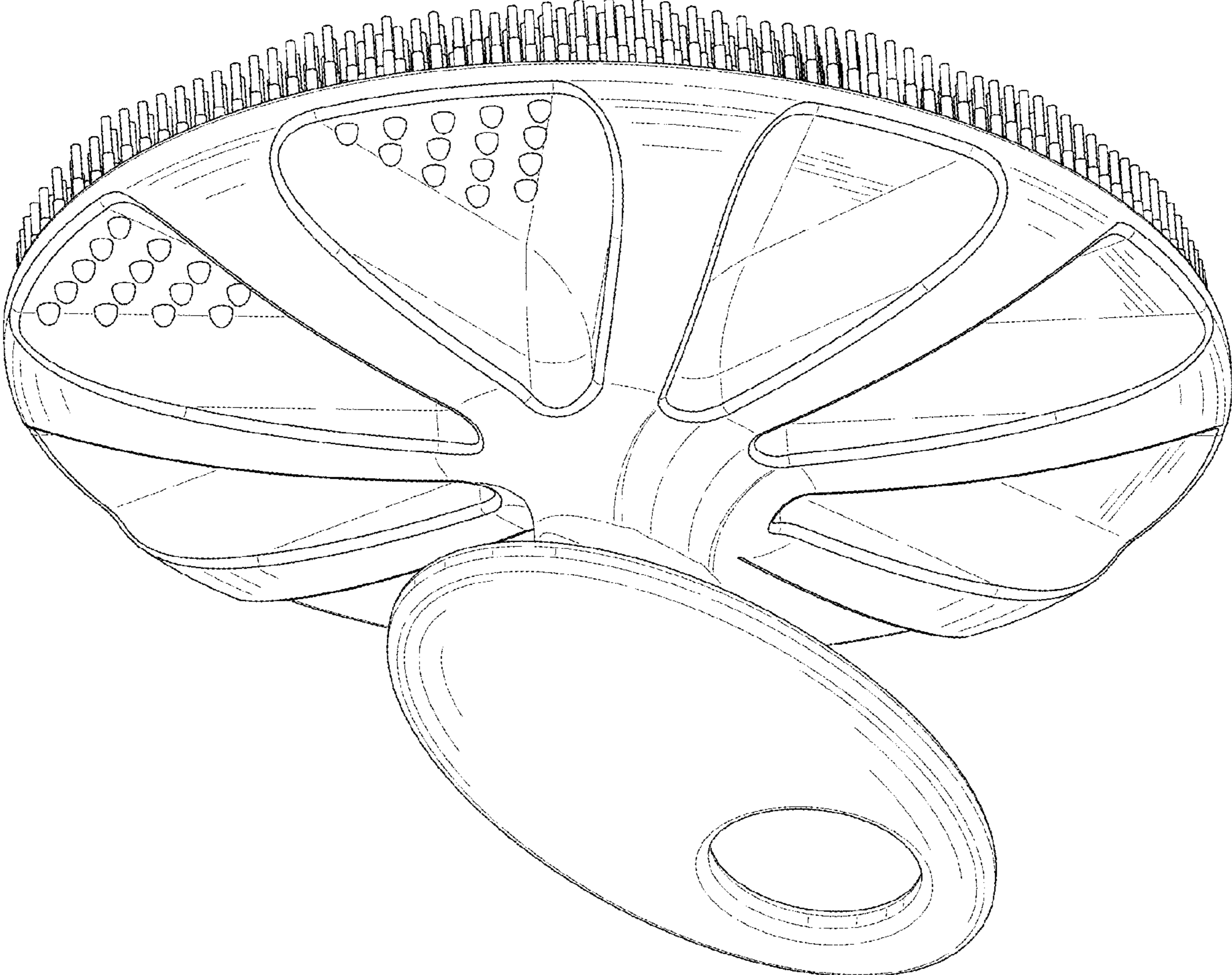


FIG. 1

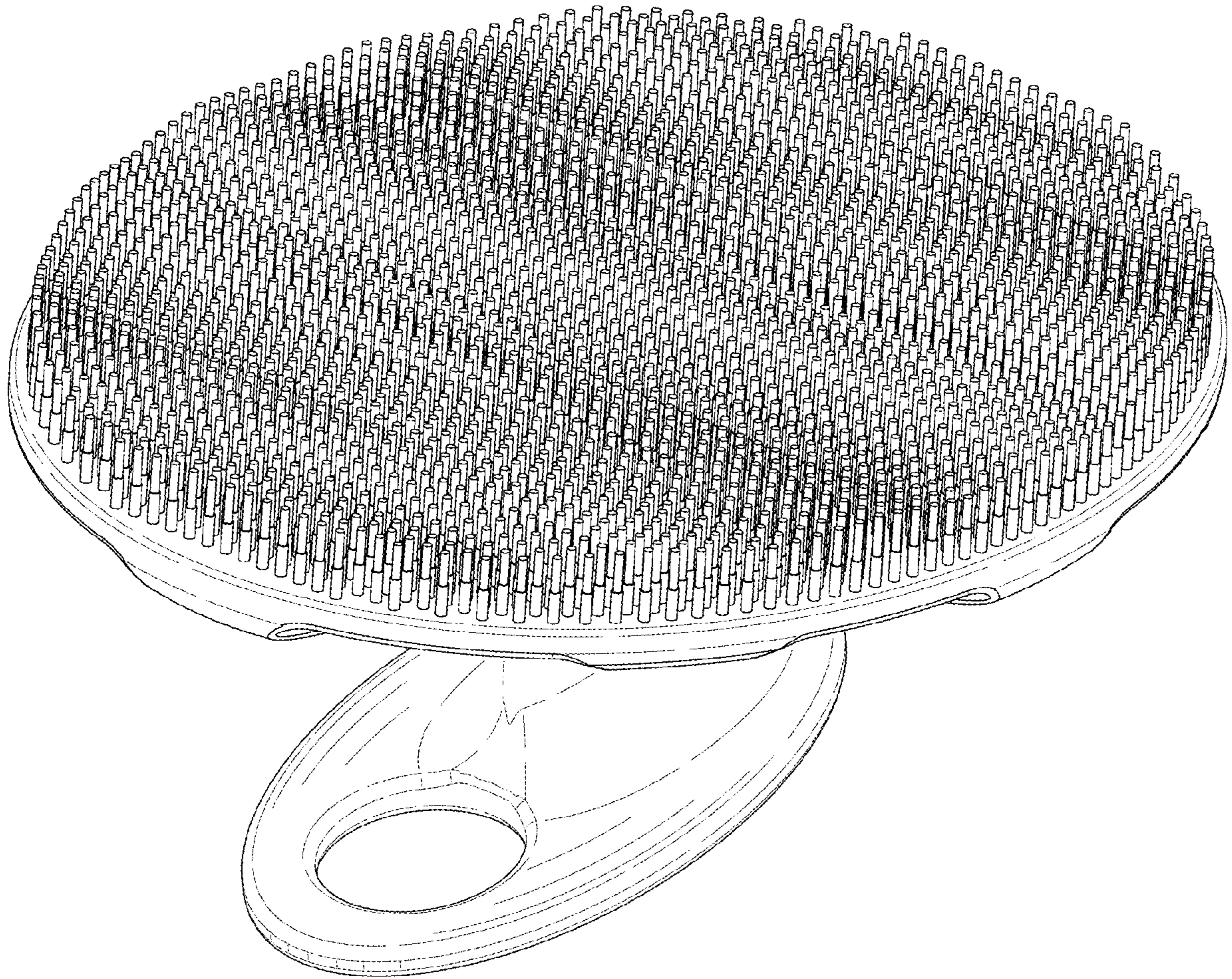


FIG. 2

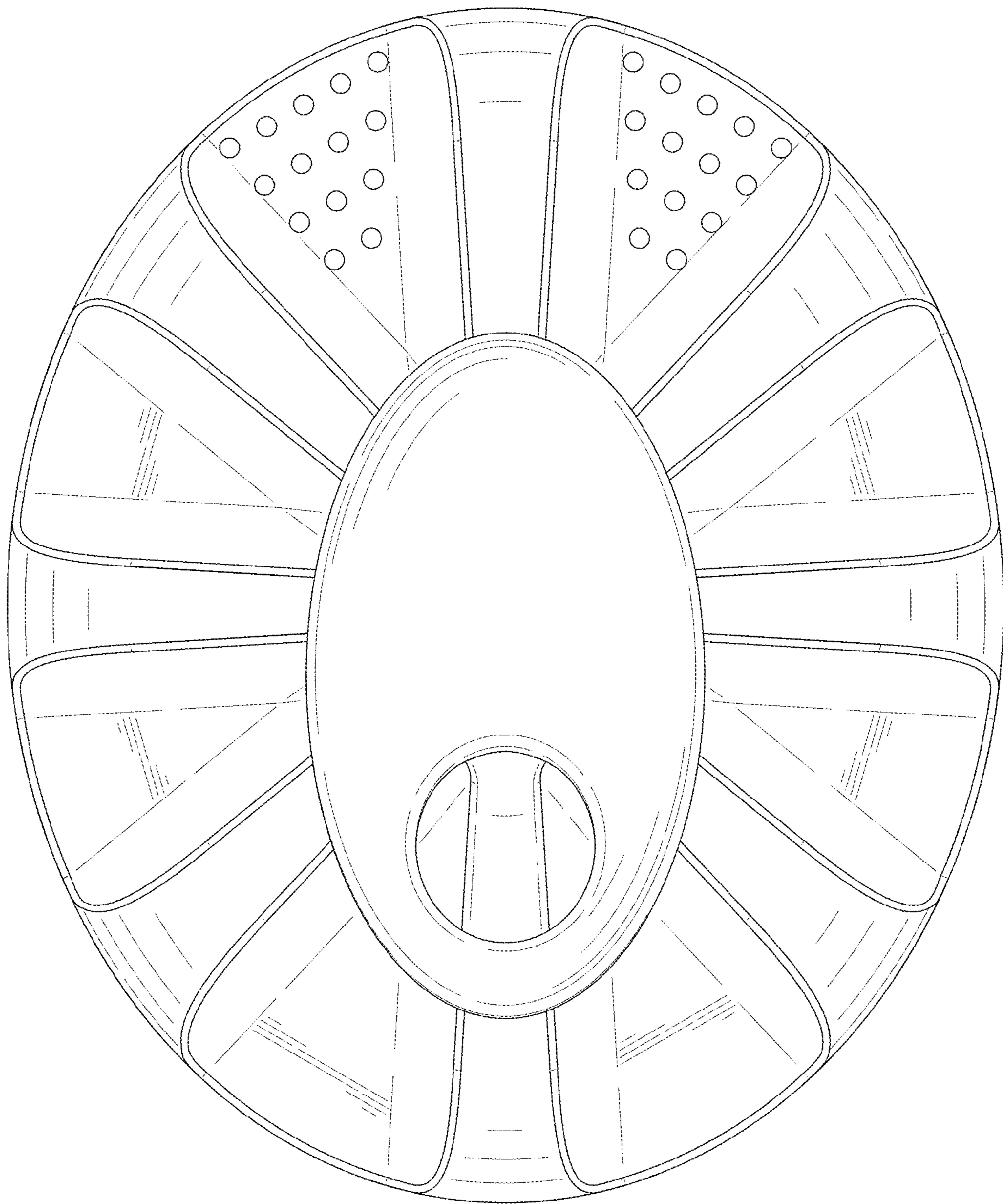


FIG. 3

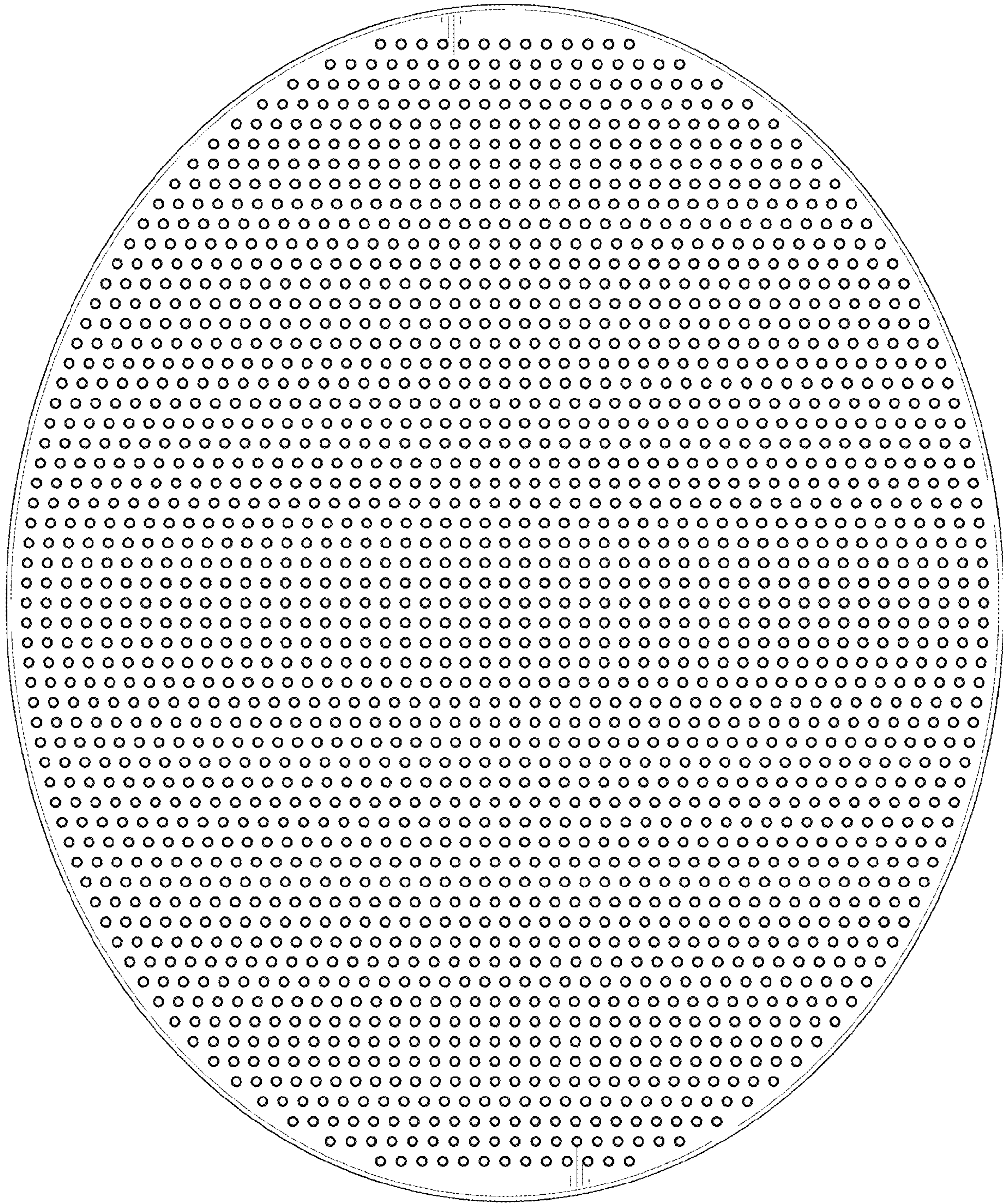


FIG. 4

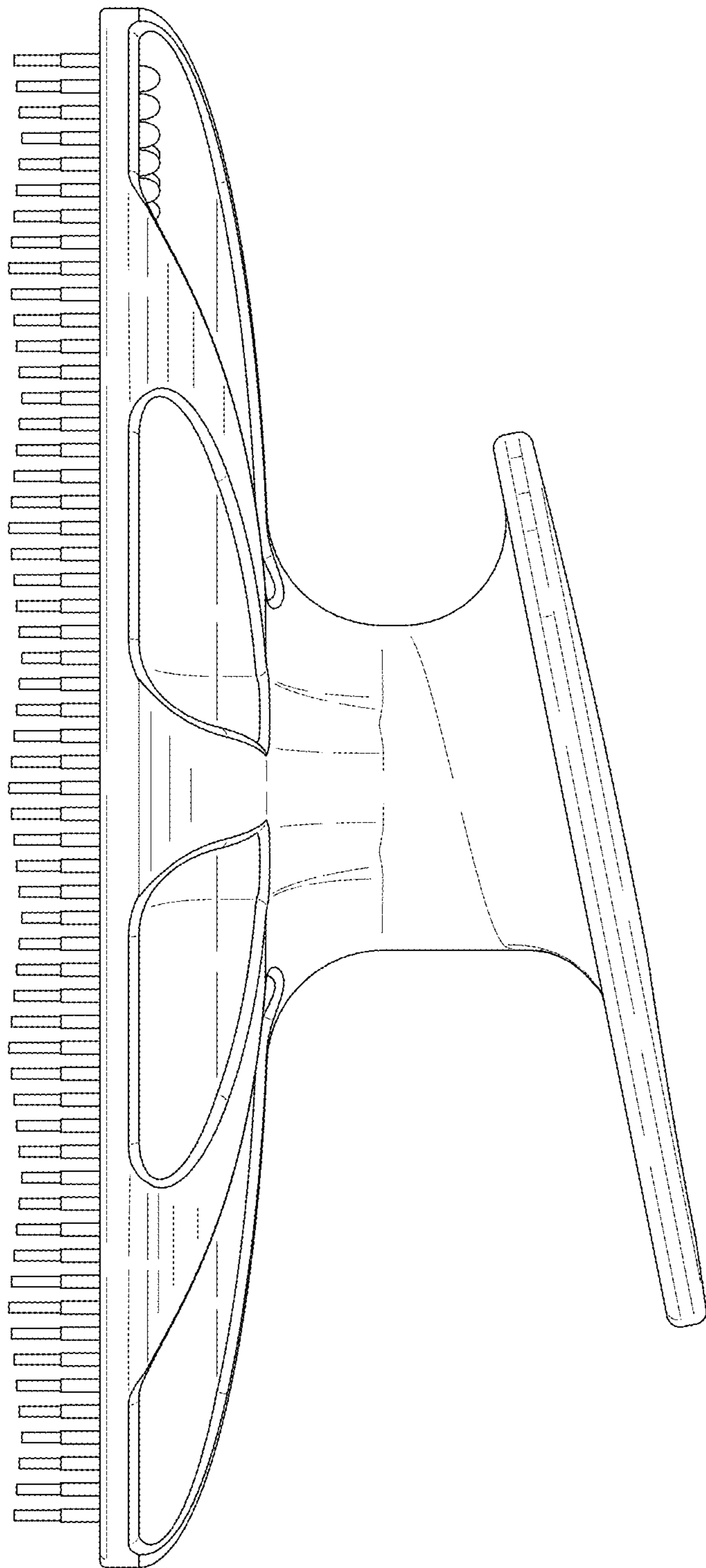


FIG. 5

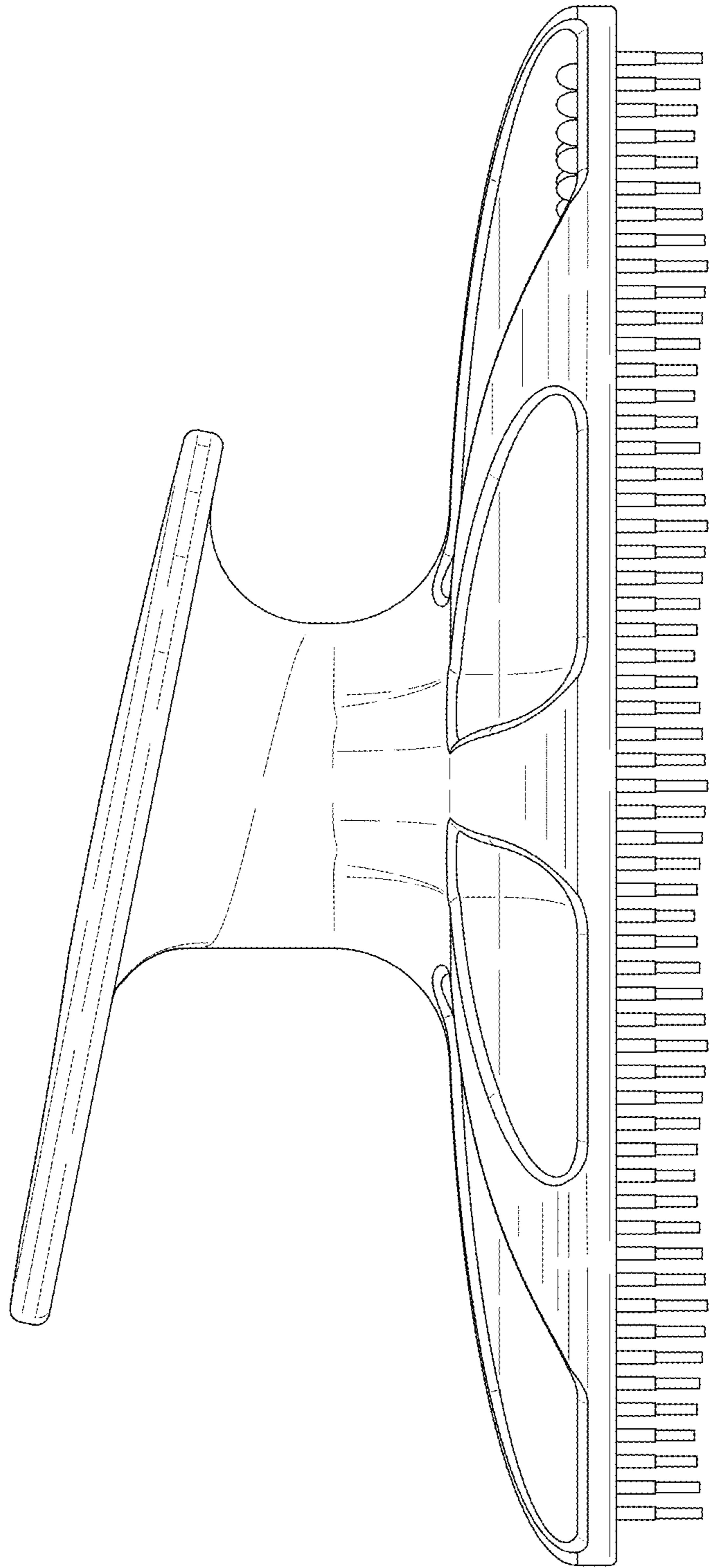


FIG. 6

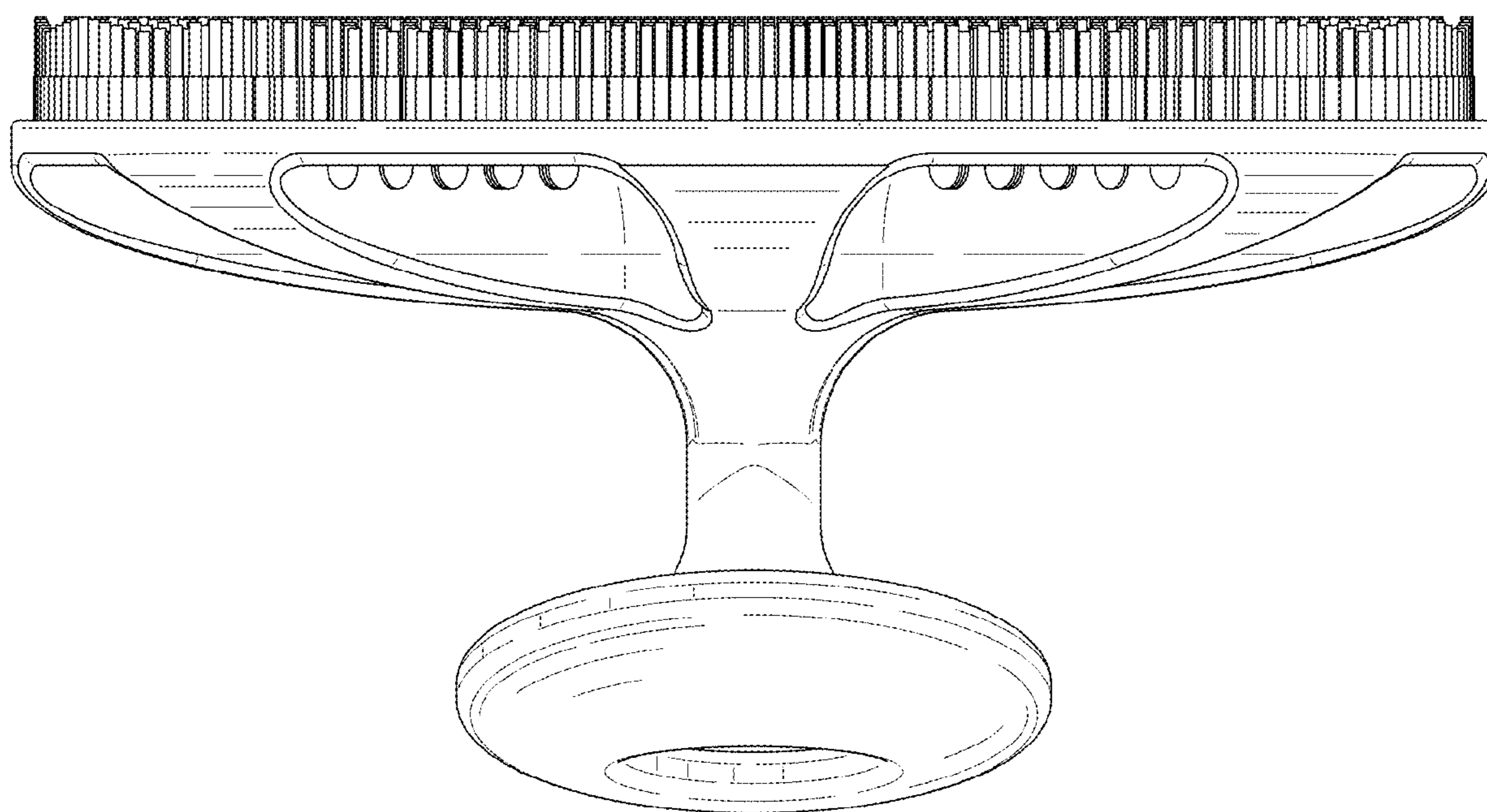


FIG. 7

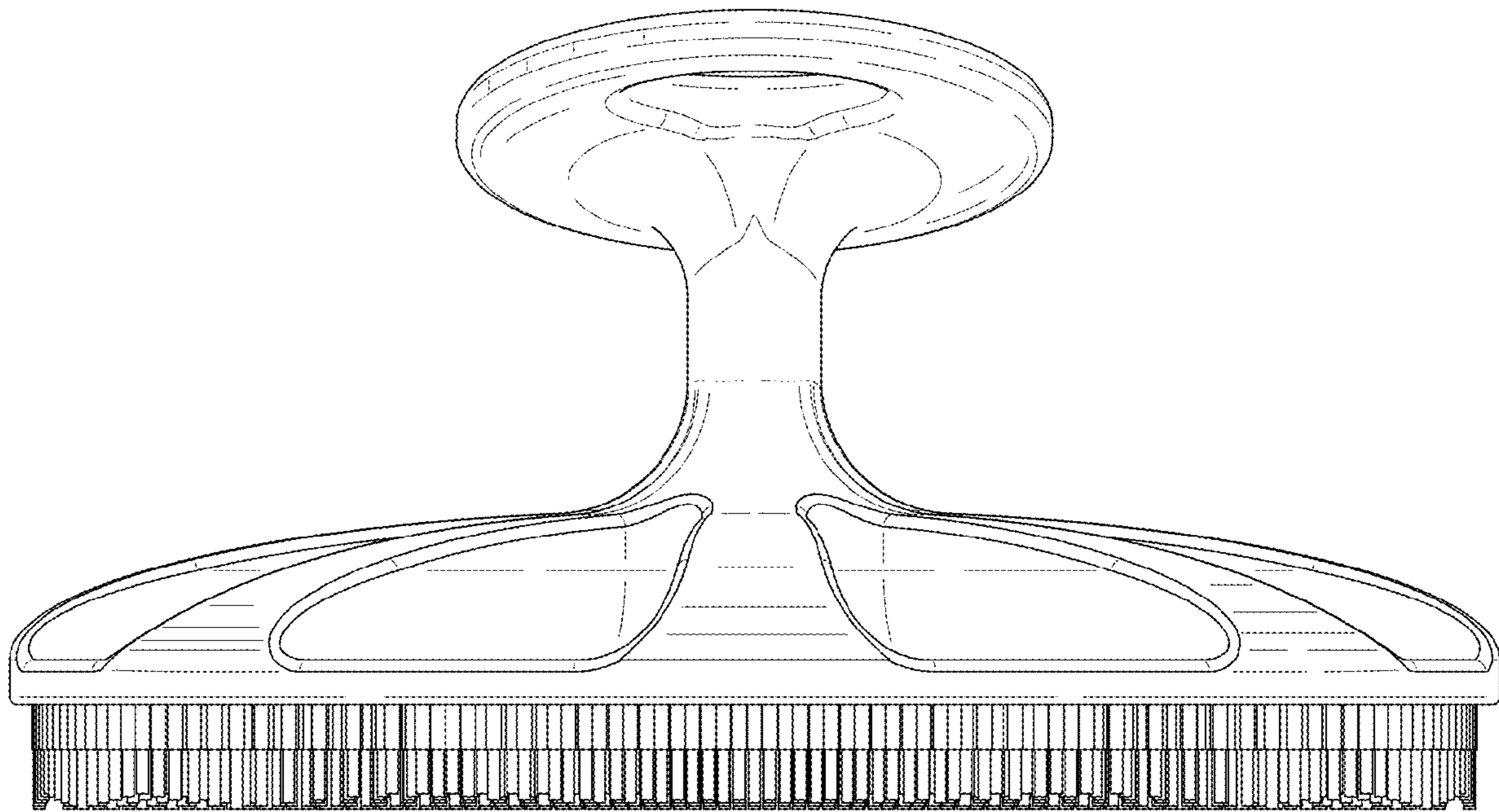


FIG. 8