



US00D989064S

(12) **United States Design Patent**
Glorvigen

(10) **Patent No.:** **US D989,064 S**

(45) **Date of Patent:** **** Jun. 13, 2023**

(54) **STAND**

(71) Applicant: **Joel Glorvigen**, Peachtree City, GA
(US)

(72) Inventor: **Joel Glorvigen**, Peachtree City, GA
(US)

(**) Term: **15 Years**

(21) Appl. No.: **29/803,060**

(22) Filed: **Aug. 10, 2021**

(51) **LOC (14) Cl.** **14-03**

(52) **U.S. Cl.**
USPC **D14/253**

(58) **Field of Classification Search**
USPC D14/217, 251–253, 447; D16/242
CPC F16M 13/00; F16M 2200/00; A45C
2011/002; A45C 2011/003; A47B
2023/049; A47B 2097/005; A47B
2097/006

See application file for complete search history.

(56) **References Cited**

U.S. PATENT DOCUMENTS

D287,365 S *	12/1986	Judd	D14/447
D378,676 S *	4/1997	Goodman	D14/447
D395,640 S *	6/1998	Goodman	D14/447
D590,404 S *	4/2009	Kim	D14/447
D638,788 S *	5/2011	Daniel	D13/108
D642,519 S *	8/2011	Woo	D13/108
D665,812 S *	8/2012	Huang	D14/447
D672,783 S *	12/2012	Robinson	D14/447
D780,762 S *	3/2017	Ju	D14/434
D784,352 S *	4/2017	Burgess	D14/447
D847,142 S *	4/2019	Furshman	D14/447
D921,639 S *	6/2021	Nienstedt	D14/432

(Continued)

FOREIGN PATENT DOCUMENTS

EM 02845578-0002 * 11/2015

OTHER PUBLICATIONS

Adjustable Slide Sliding Clear Plastic Plate Disk Dish Bowl Stand Mobile Holder Mount, date not known [online], retrieved Mar. 6, 2023, retrieved from the internet URL: <https://www.etsy.com/listing/1178727763/adjustable-slide-sliding-clear-plastic?> (Year: 2023).*

Primary Examiner — Janice Hallmark

Assistant Examiner — Rodolfo Castro, Jr.

(74) *Attorney, Agent, or Firm* — The Sladkus Law Group

(57) **CLAIM**

The ornamental design for a stand, as shown and described.

DESCRIPTION

FIG. 1 is a perspective view of a stand showing my new design;

FIG. 2 is a front view of the stand of FIG. 1;

FIG. 3 is a rear view of the stand of FIG. 1;

FIG. 4 is a left side view of the stand of FIG. 1;

FIG. 5 is a right side view of the stand of FIG. 1;

FIG. 6 is a top view of the stand of FIG. 1;

FIG. 7 is a bottom view of the stand of FIG. 1;

FIG. 8 is a perspective view of the stand of FIG. 1 showing a device positioned in the stand in a first position;

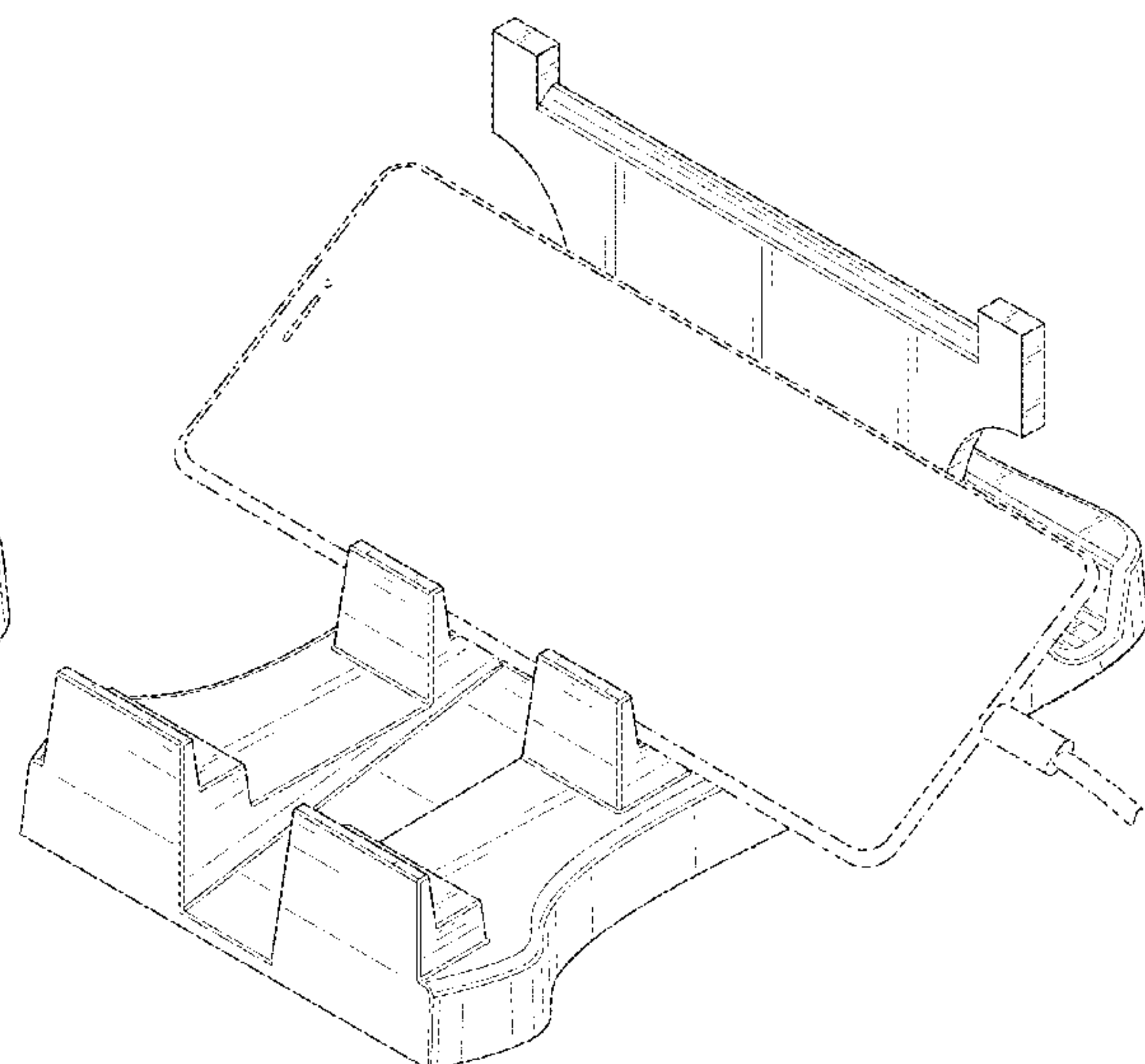
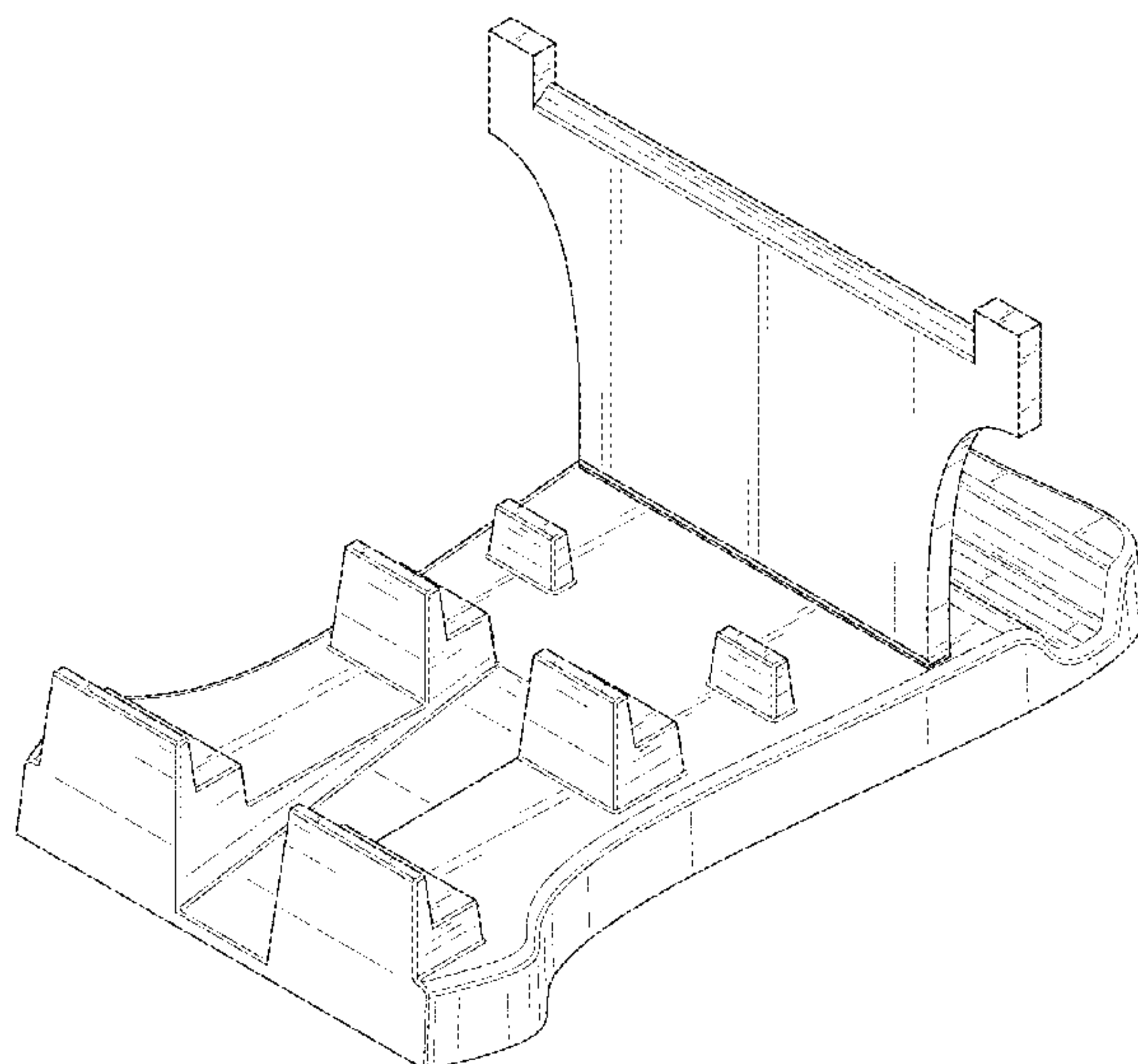
FIG. 9 is a left side view of the stand of FIG. 1 showing a device positioned in the stand in a second position;

FIG. 10 is a perspective view of the stand of FIG. 1 showing a device positioned in the stand in a third position; and,

FIG. 11 is a left side view of the stand of FIG. 1 showing a device positioned in the stand in a fourth position.

Even length broken lines in FIG. 7 illustrate portions of the stand that form no part of the claimed design. Long dash-short dash broken lines in FIGS. 8-11 illustrate environmental subject matter that forms no part of the claimed design.

1 Claim, 11 Drawing Sheets



(56)

References Cited

U.S. PATENT DOCUMENTS

D946,516 S *	3/2022	Teng	D13/108
D975,101 S *	1/2023	Luo	D14/447
2010/0320349 A1 *	12/2010	Necessary	F16M 11/10 248/346.03
2013/0068917 A1 *	3/2013	Peng	F16M 11/10 248/558
2015/0327392 A1 *	11/2015	Chou	F16M 11/38 248/122.1

* cited by examiner

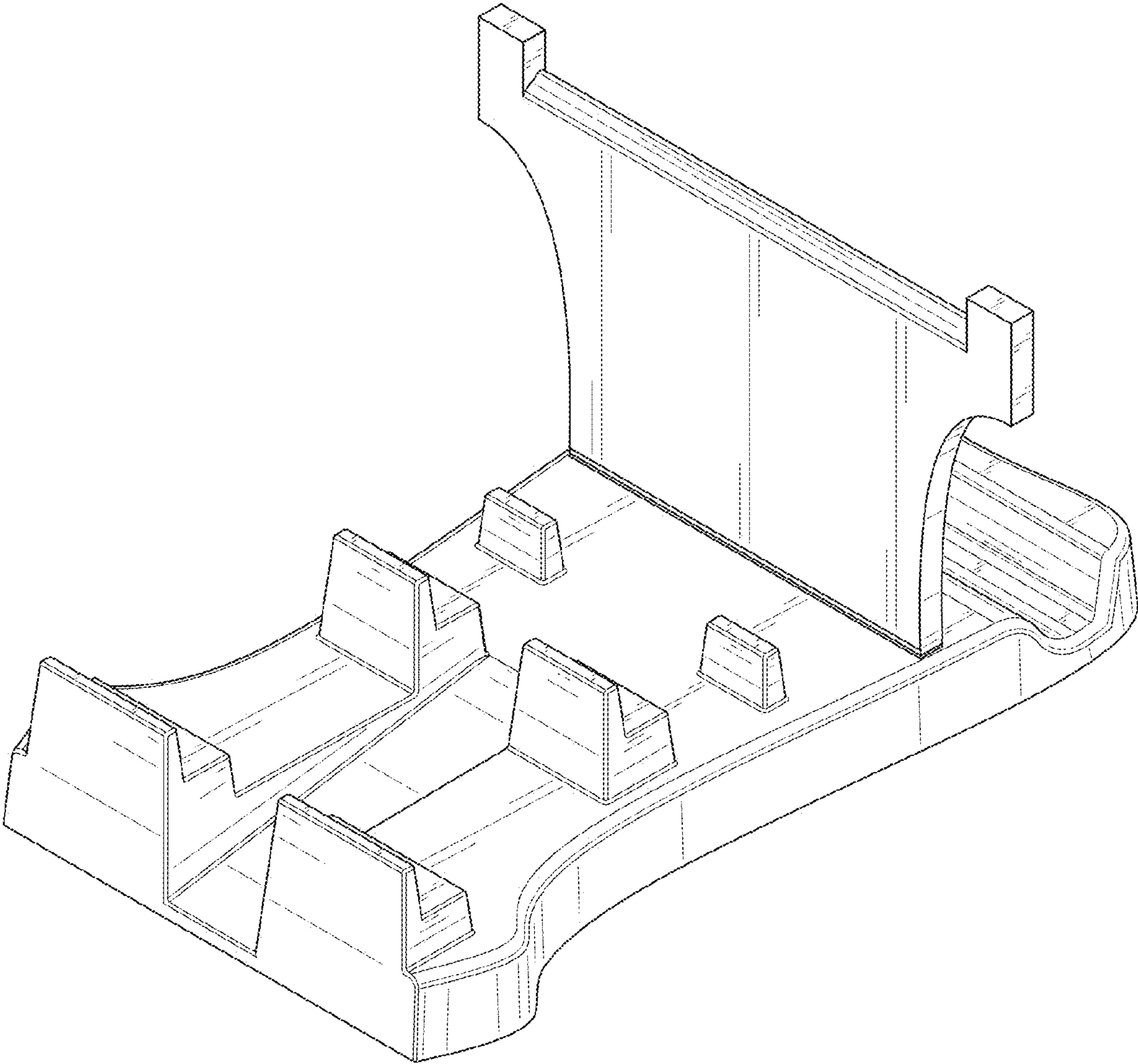


FIG. 1

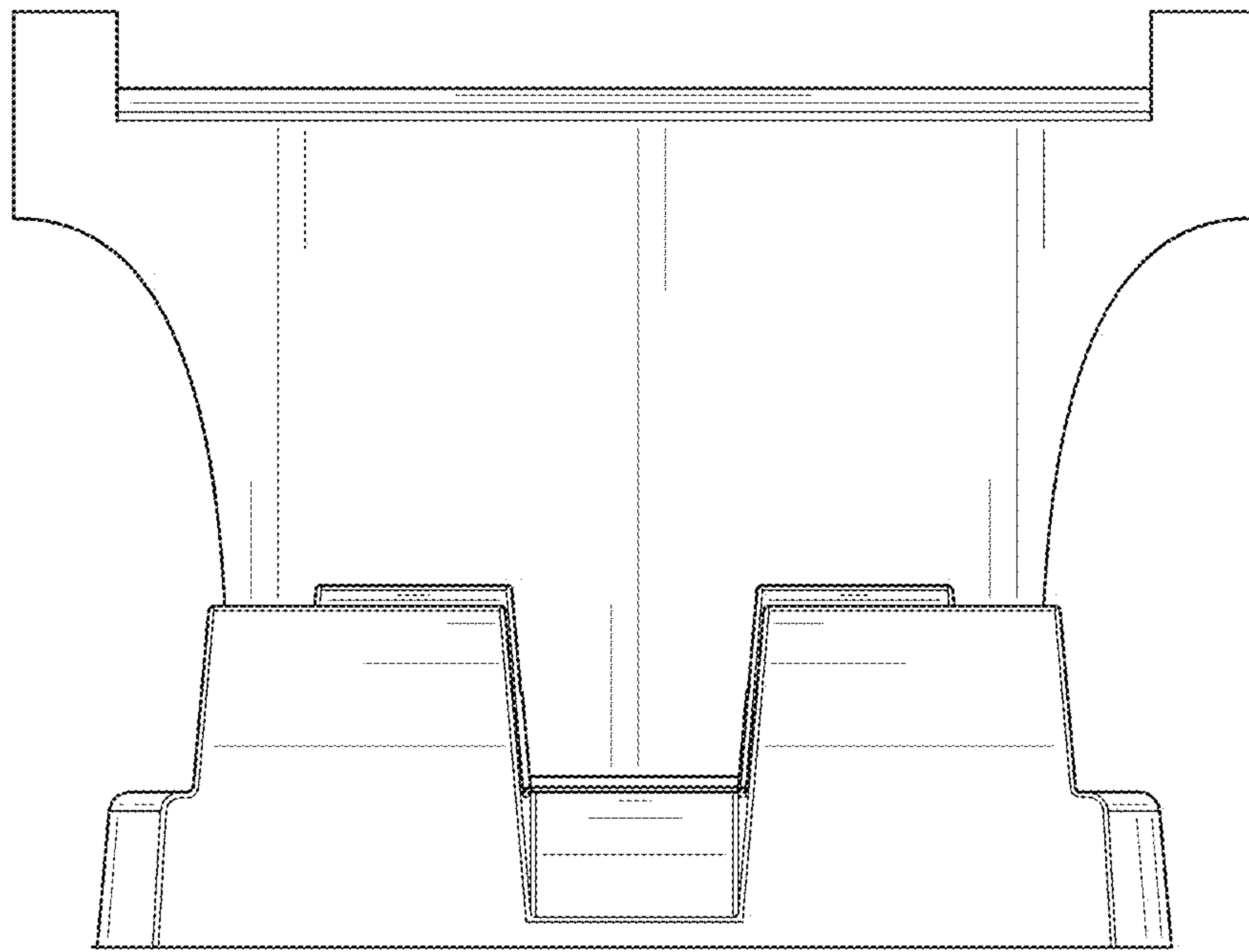


FIG. 2

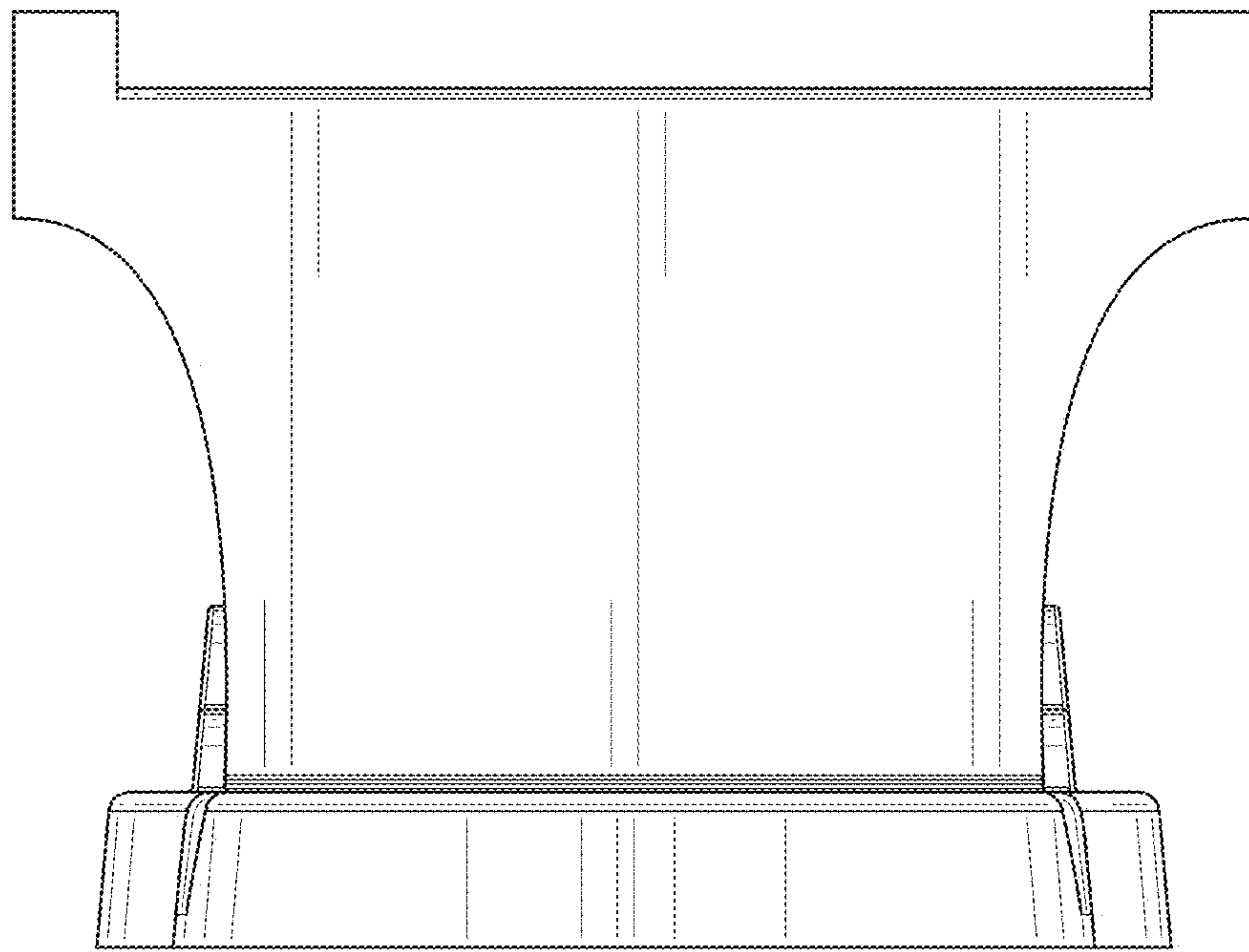


FIG. 3

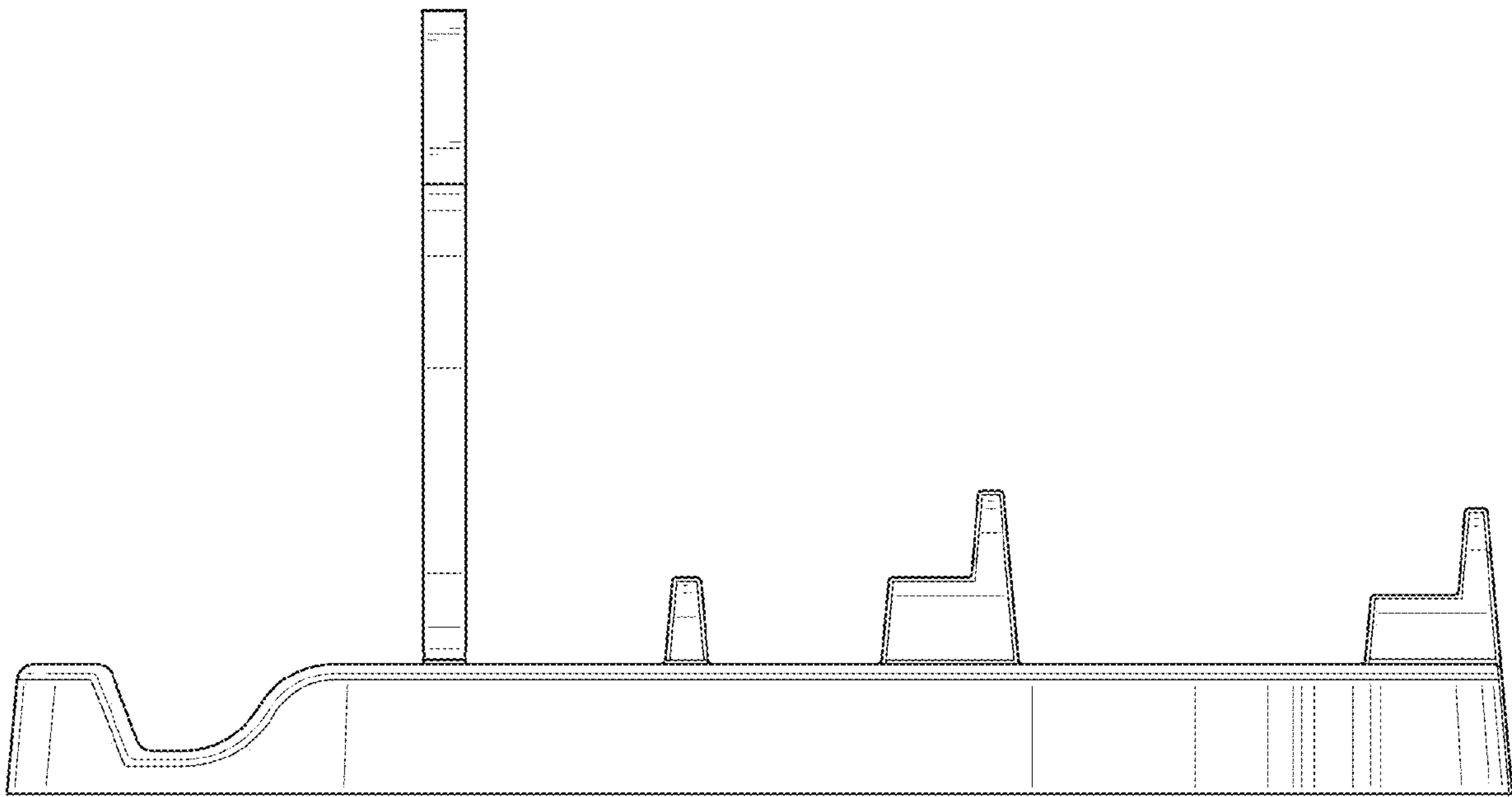


FIG. 4

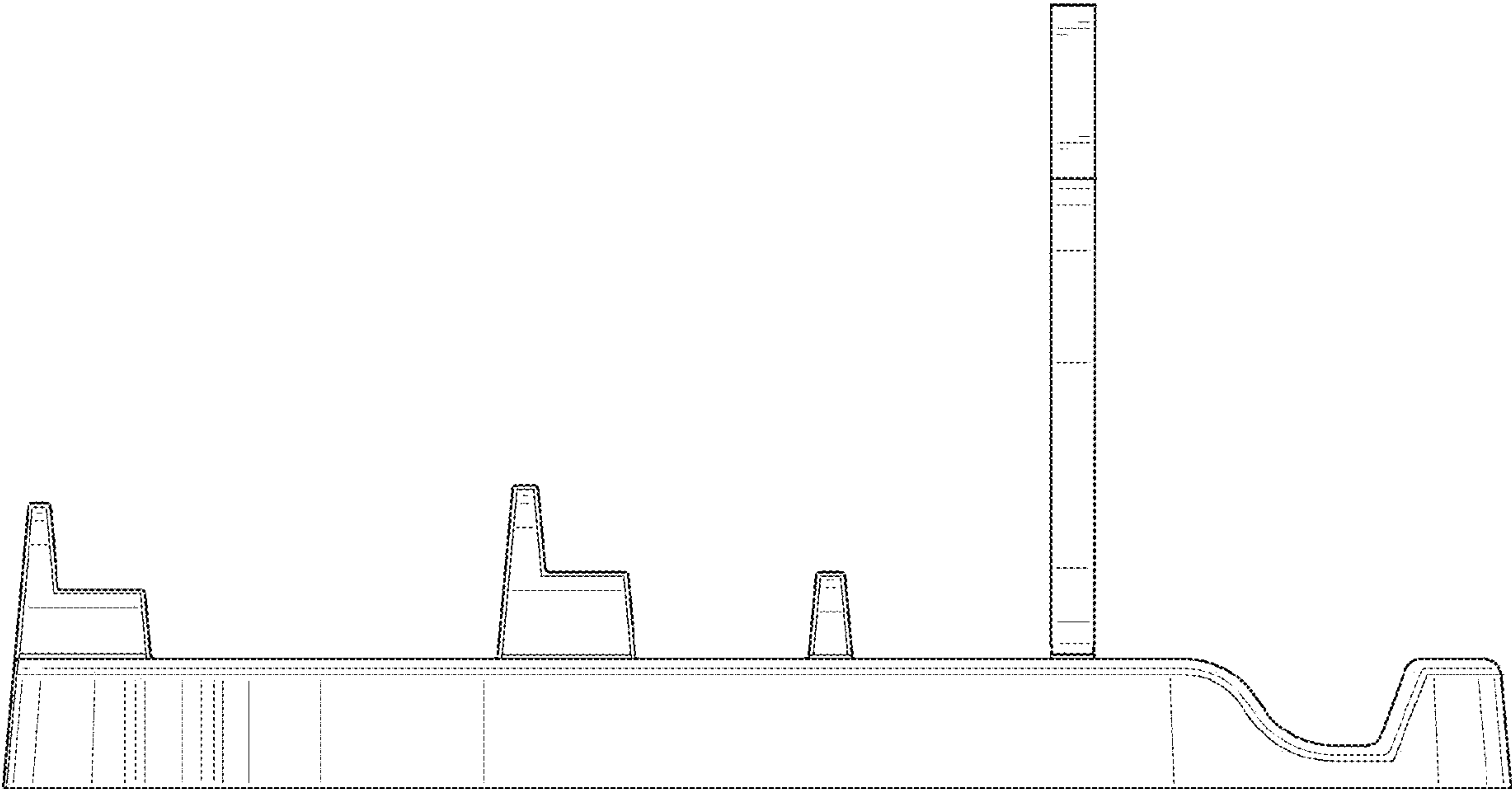


FIG. 5

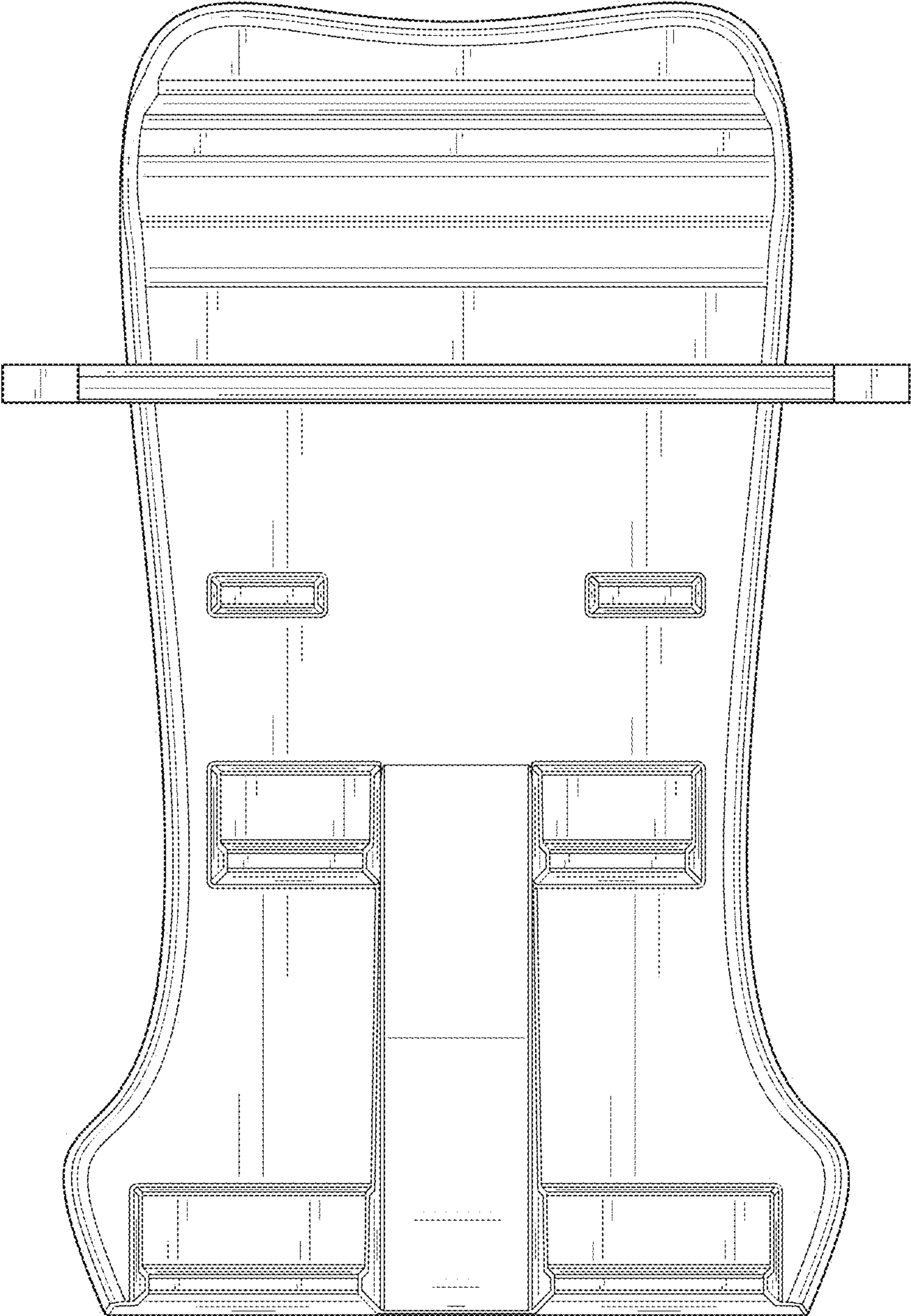


FIG. 6

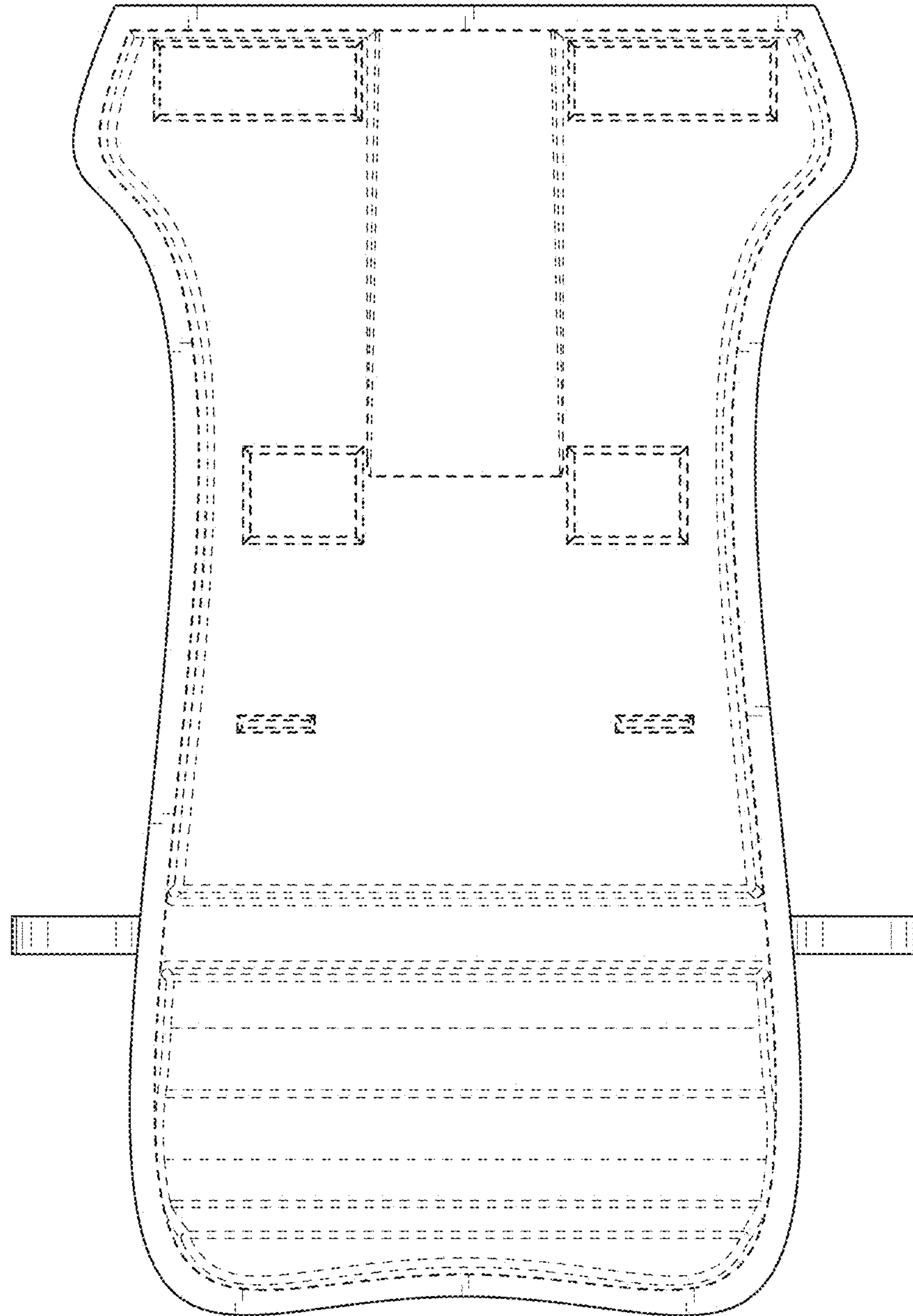


FIG. 7

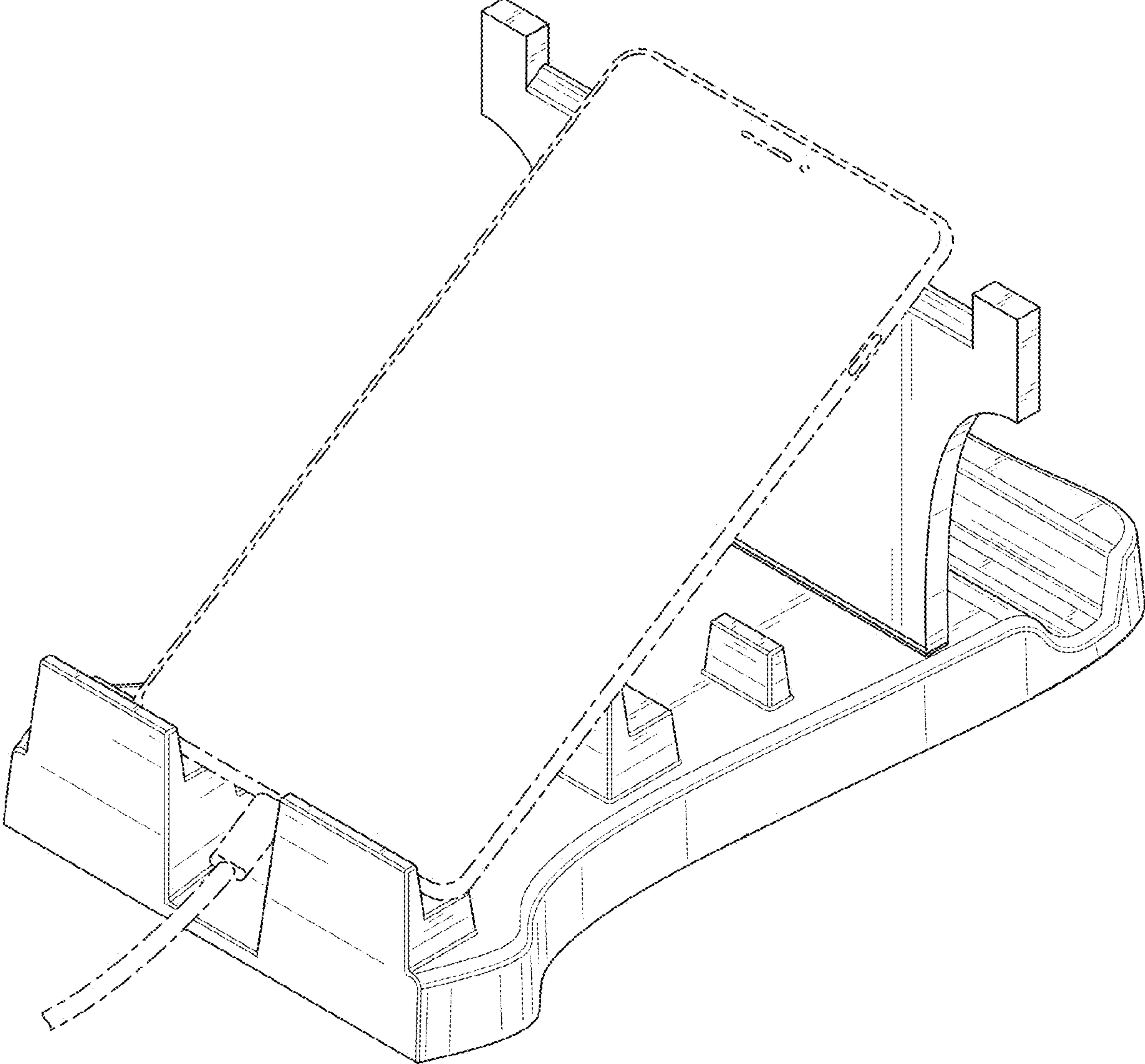


FIG. 8

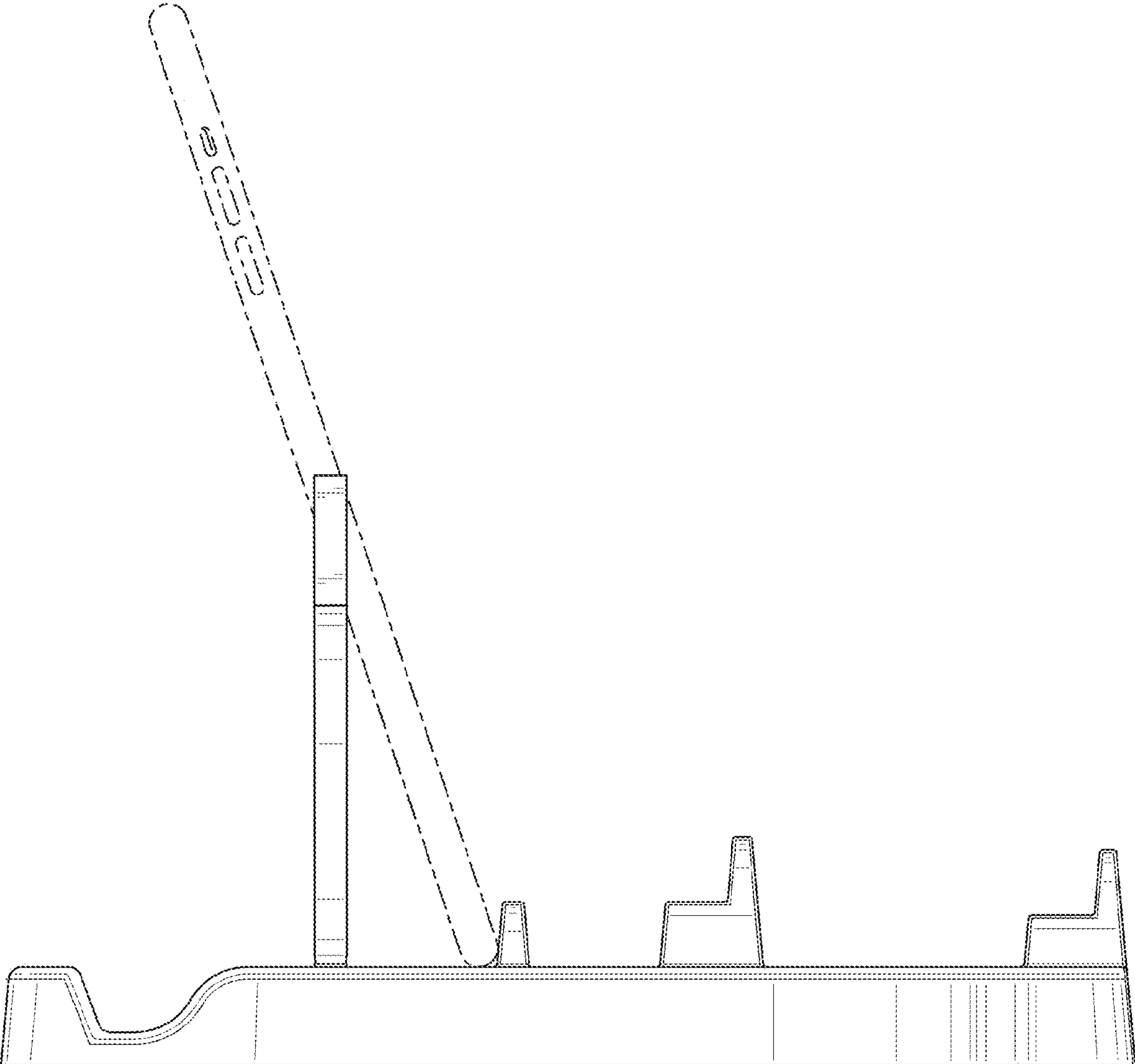


FIG. 9

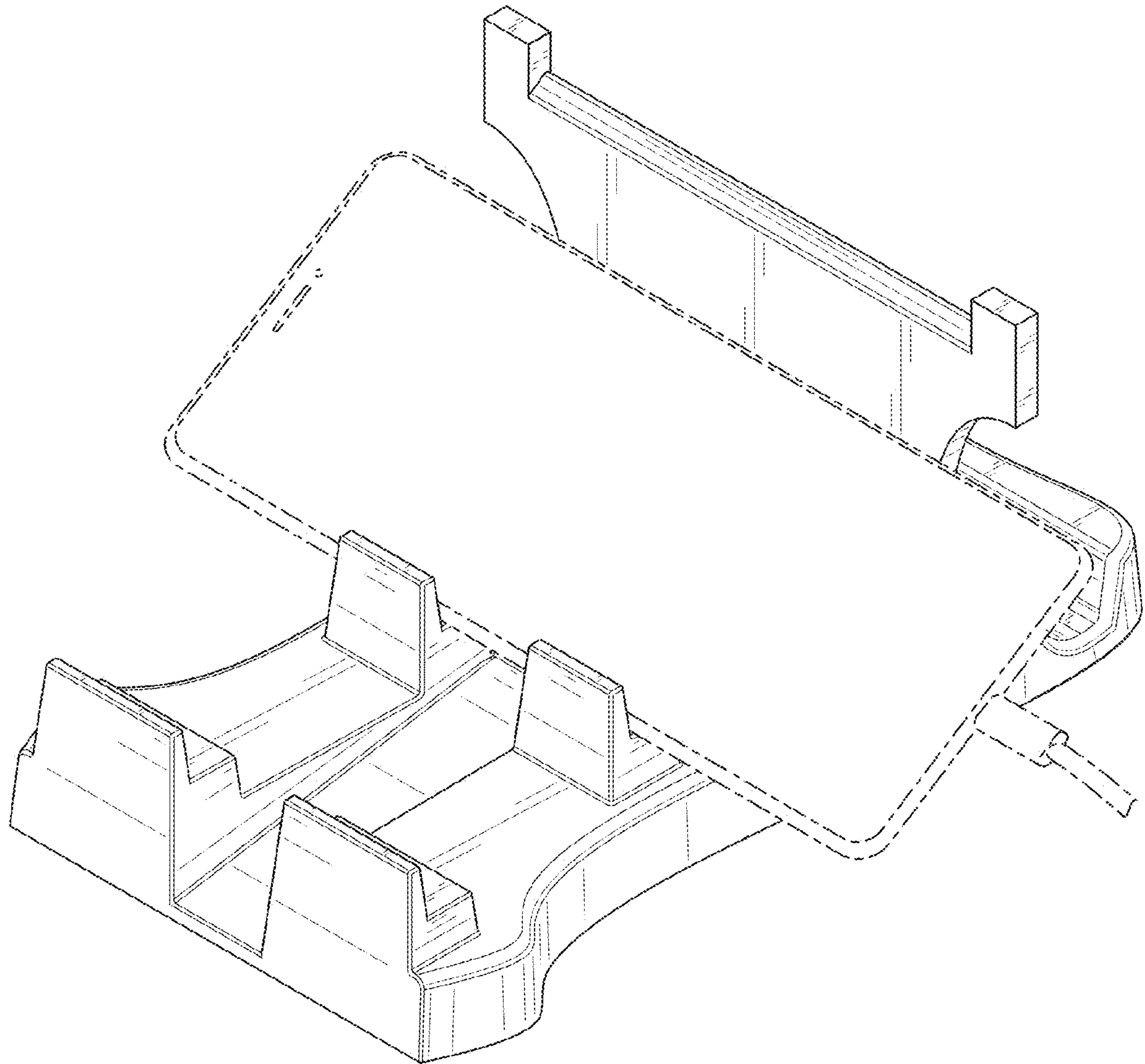


FIG. 10

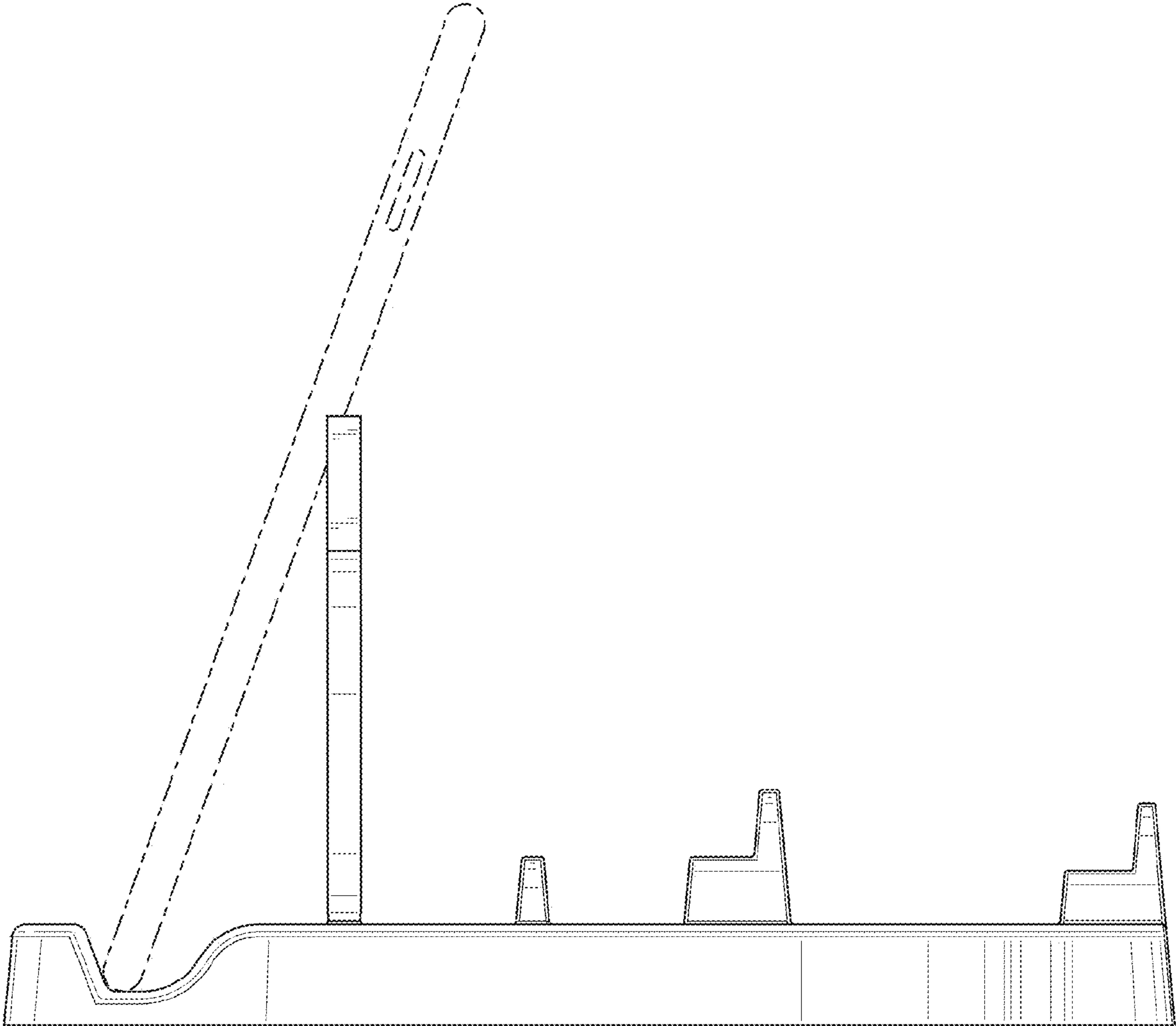


FIG. 11