



US00D989063S

(12) **United States Design Patent**
Halpern

(10) **Patent No.:** **US D989,063 S**

(45) **Date of Patent:** **** Jun. 13, 2023**

- (54) **MAGNETIC PHONE MOUNT**
- (71) Applicant: **Donald Mitchell Halpern**, New Albany, OH (US)
- (72) Inventor: **Donald Mitchell Halpern**, New Albany, OH (US)
- (73) Assignee: **Entreprises Nolk Inc.**, Saint-Bruno-de-Montarville (CA)

D782,462 S * 3/2017 Huang D14/253
 9,586,530 B2 * 3/2017 Kim F16M 13/022
 D783,012 S * 4/2017 Lee D14/253
 D783,014 S 4/2017 Chun
 D784,977 S 4/2017 Ormsbee et al.

(Continued)

FOREIGN PATENT DOCUMENTS

CN 305670667 * 3/2020
 CN 306612566 * 6/2021
 CN 306942377 * 11/2021

(**) Term: **15 Years**

(21) Appl. No.: **29/758,072**

(22) Filed: **Nov. 12, 2020**

(51) **LOC (14) Cl.** **14-99**

(52) **U.S. Cl.**
USPC **D14/253**; D14/447

(58) **Field of Classification Search**
 USPC ... D14/251–253, 224, 224.1, 447, 451, 452;
 D12/114, 415, 426.1, 223; D3/218
 CPC . B60R 11/00; B60R 11/0241; B60R 11/0252;
 B60R 2011/0003; B60R 2011/0005;
 B60R 2011/0008; H04M 1/04; A45C
 2011/002; A45C 2011/003; A45F
 2200/0516; A45F 2200/0525
 See application file for complete search history.

(56) **References Cited**

U.S. PATENT DOCUMENTS

D614,613 S * 4/2010 Kim D14/253
 D626,541 S * 11/2010 Kim D14/253
 D690,707 S * 10/2013 Minn B60R 11/0241
 D14/447
 D720,759 S * 1/2015 Deng D14/447
 D738,873 S 9/2015 Kim et al.
 D750,633 S * 3/2016 Minn D14/447
 D757,705 S * 5/2016 Esses D14/251
 D765,651 S * 9/2016 Liu D14/447
 D767,556 S * 9/2016 Lee D12/415
 D768,125 S * 10/2016 Kim D14/253
 D769,860 S 10/2016 Xiao
 D780,168 S * 2/2017 Du D14/253

OTHER PUBLICATIONS

Lume Cube Smartphone Clip . . . [online]. No post date available.
 [Retrieved from the Internet Jan. 10, 2023.] <URL: https://www.bhphotovideo.com/c/product/1220494-REG/lume_cube_lc_pc11_smartphone_mount.html/?ap=y&ap=y&smp=y&smp=y&lsft=BI%3A514&gclid=EAIaIqobChMlylPLi8m9_AIVgYTICH19QwSCEAQYBiABEglHg_D_BwE >.*

Primary Examiner — Rebekah A Caruso
 (74) *Attorney, Agent, or Firm* — Calfee, Halter & Griswold LLP

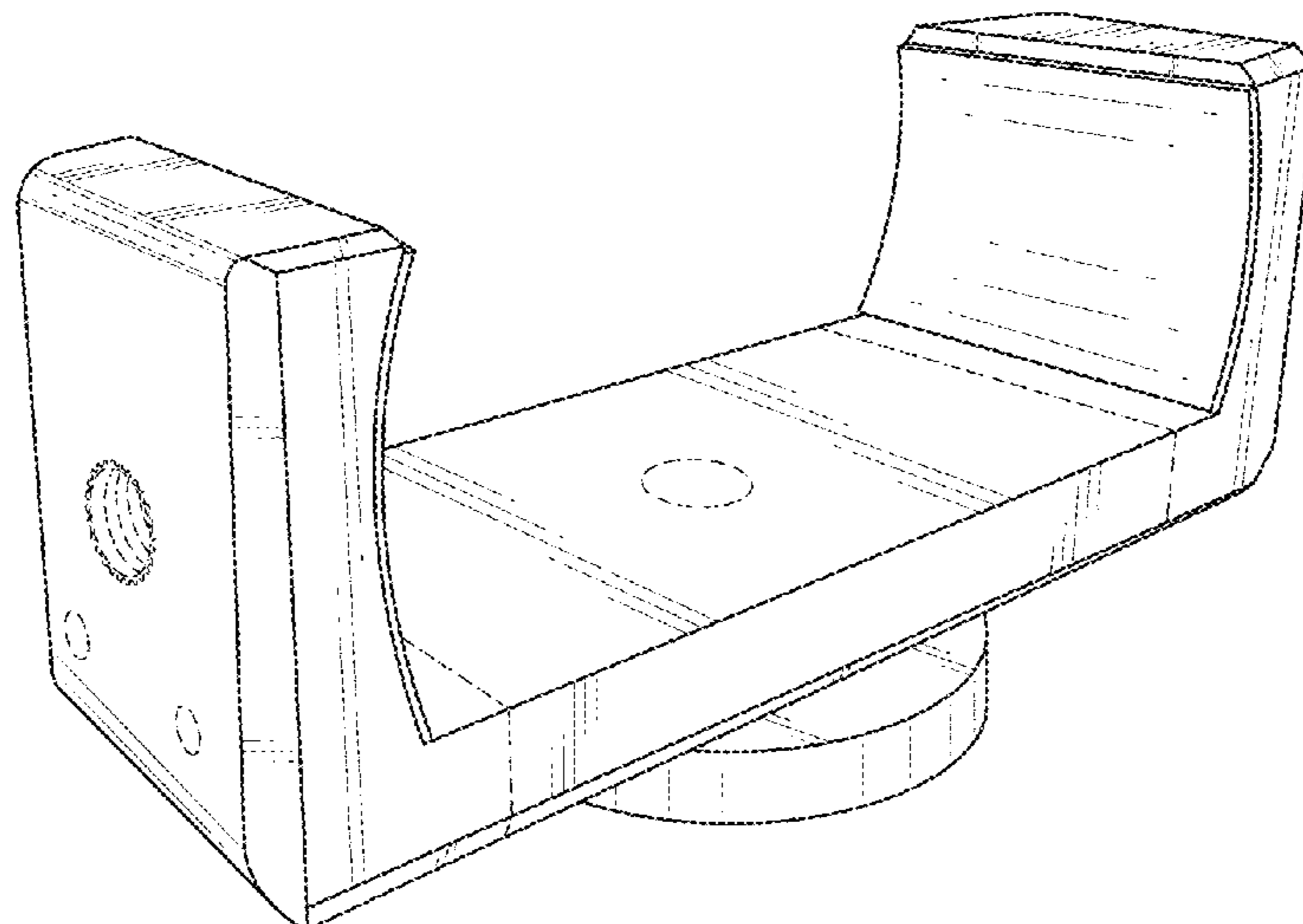
(57) **CLAIM**

I claim the ornamental design for a magnetic phone mount, as shown and described.

DESCRIPTION

FIG. 1 is a top perspective view of a magnetic phone mount; FIG. 2 is a top plan view thereof; FIG. 3 is a bottom plan view thereof; FIG. 4 is a front elevational view thereof; FIG. 5 is a rear elevational view thereof; FIG. 6 is a right-side elevational view thereof; and, FIG. 7 is a left-side elevational view thereof. The portions of the magnetic phone mount shown in broken lines are for illustrative purposes only and form no part of the claim designed.

1 Claim, 7 Drawing Sheets



(56)

References Cited

U.S. PATENT DOCUMENTS

D799,466 S 10/2017 Sukphist et al.
9,975,497 B2 * 5/2018 Kim F16M 11/041
D823,846 S * 7/2018 Chen D14/251
D825,548 S 8/2018 Lebovitz
D826,225 S * 8/2018 Chen D14/253
D827,405 S * 9/2018 Chun D8/72
D829,724 S * 10/2018 Chun D14/447
D831,660 S * 10/2018 Yao D14/447
10,118,565 B2 * 11/2018 Kim B60R 11/02
10,173,607 B1 * 1/2019 Omelchenko B60H 3/0028
D845,960 S * 4/2019 Yao D14/447
D852,560 S 7/2019 Cochrane
D854,006 S 7/2019 Wang et al.
D854,537 S 7/2019 Ackeret et al.
D867,355 S 11/2019 Chun
D868,054 S * 11/2019 Kim D12/415
D872,727 S * 1/2020 Chung D12/415
D881,182 S 4/2020 Zhang
D881,201 S 4/2020 Lou
D886,094 S * 6/2020 Xu D14/253
D907,027 S * 1/2021 Halpern D14/253
D915,389 S * 4/2021 Lin D14/253
D934,234 S * 10/2021 Deng D14/447
D949,843 S * 4/2022 Chen D14/253
D958,133 S * 7/2022 Huang D12/415
2014/0138419 A1 5/2014 Minn et al.
2016/0052370 A1 2/2016 Esses
2016/0124210 A1 5/2016 Ross et al.

* cited by examiner

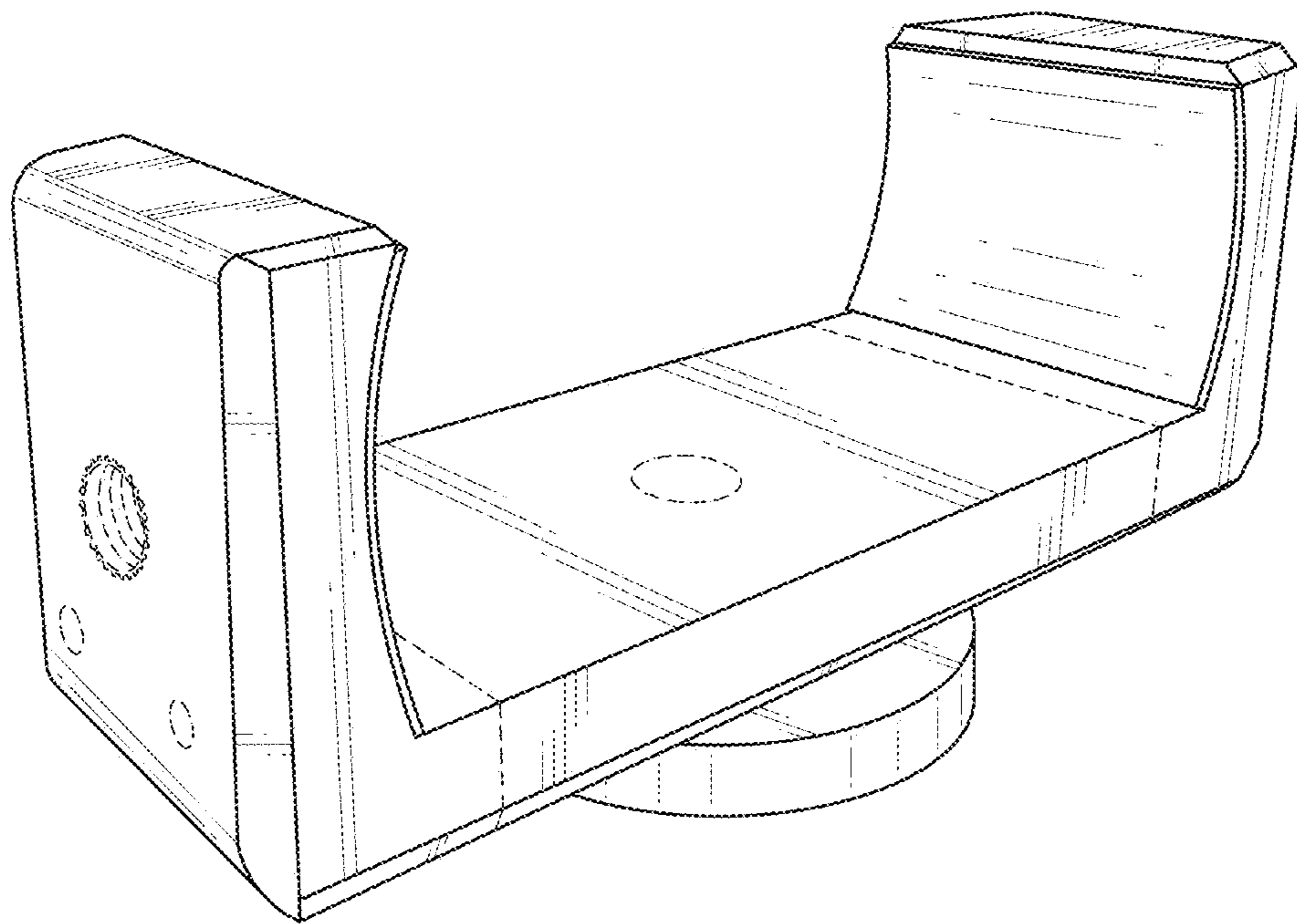


FIG. 1

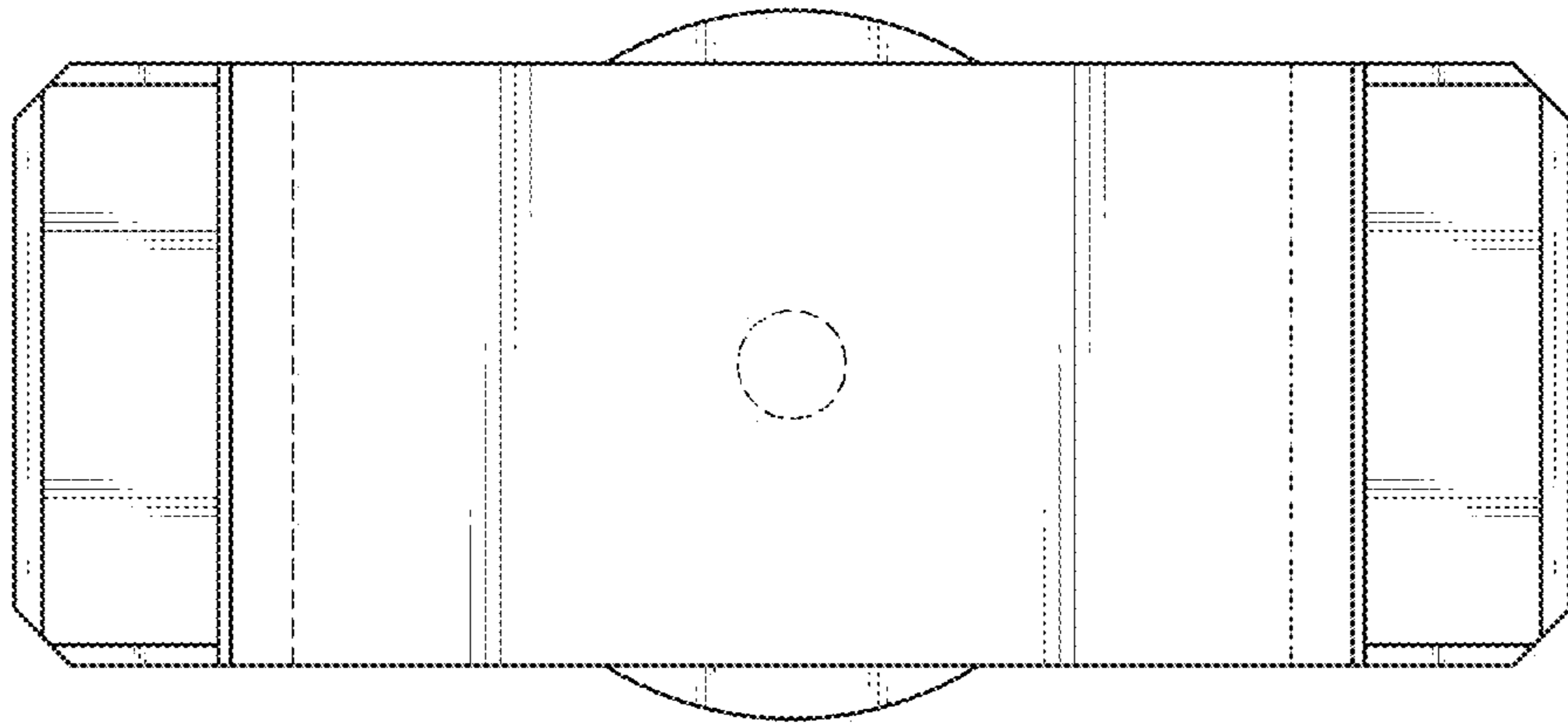


FIG. 2

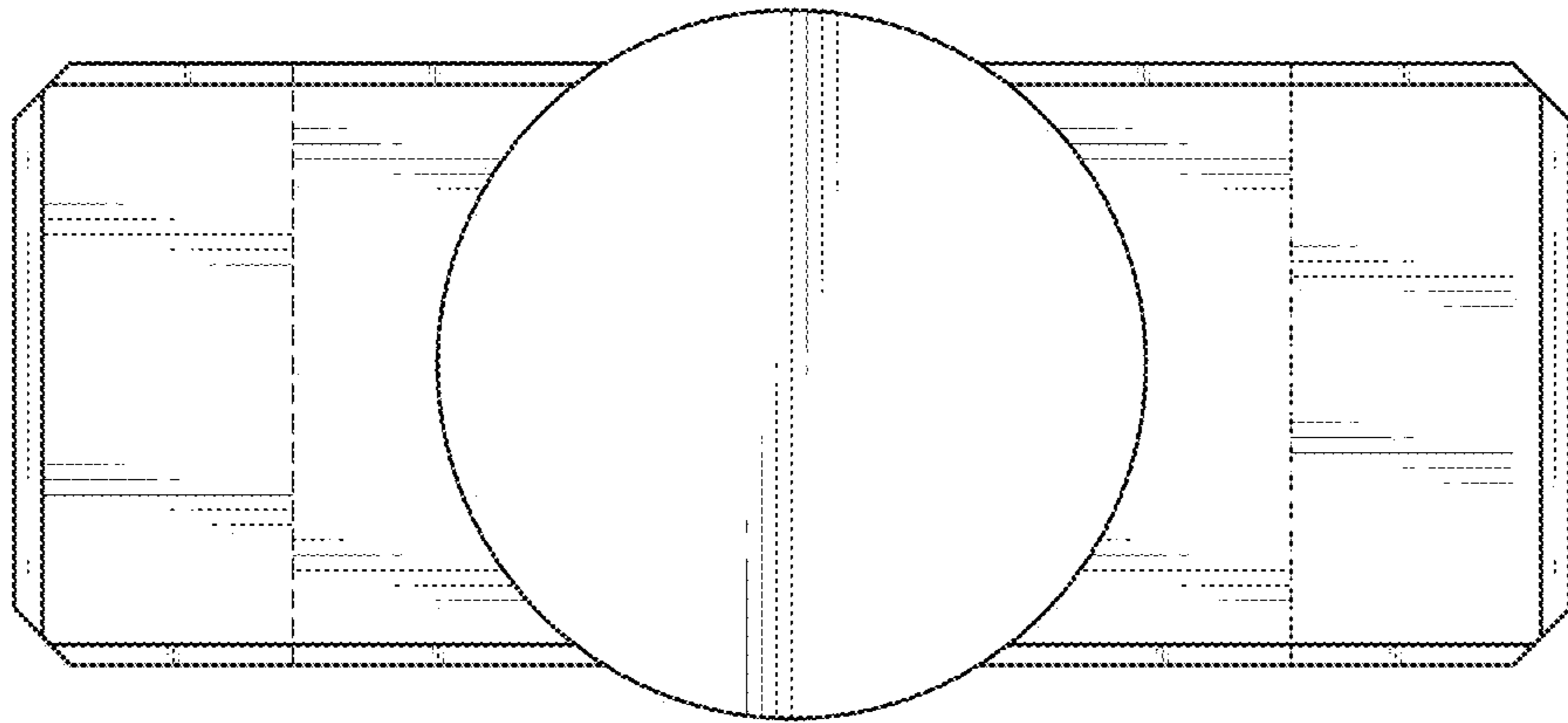


FIG. 3

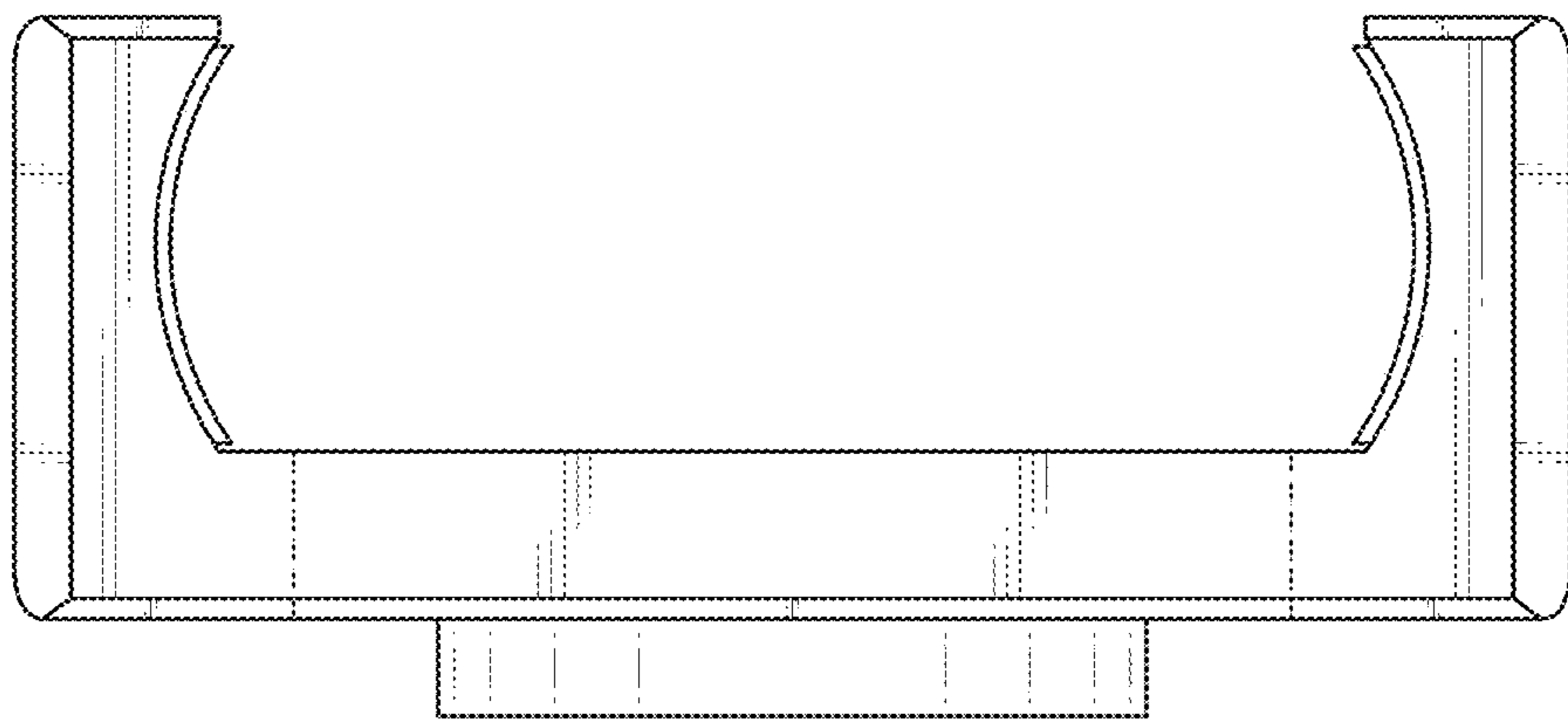


FIG. 4

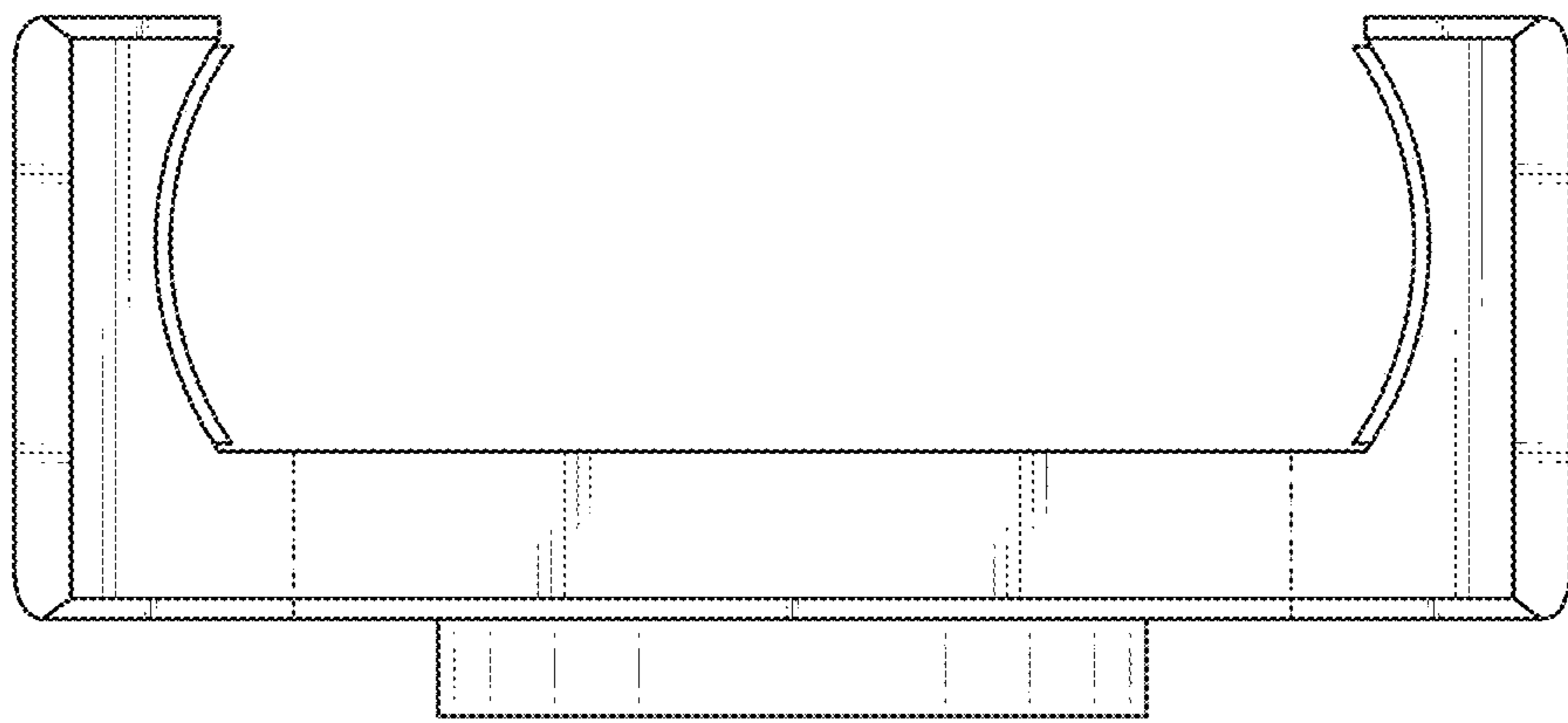


FIG. 5

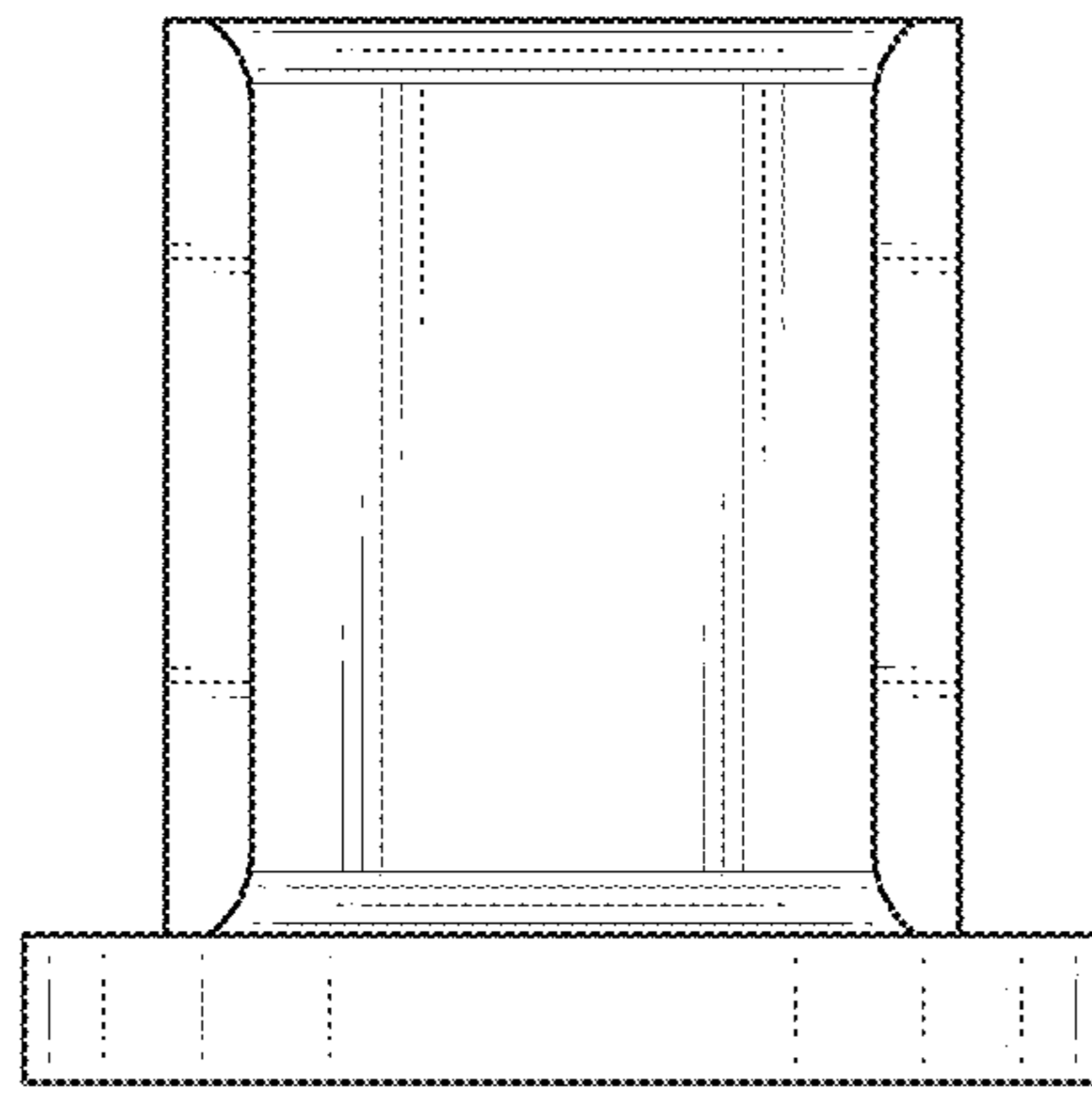


FIG. 6

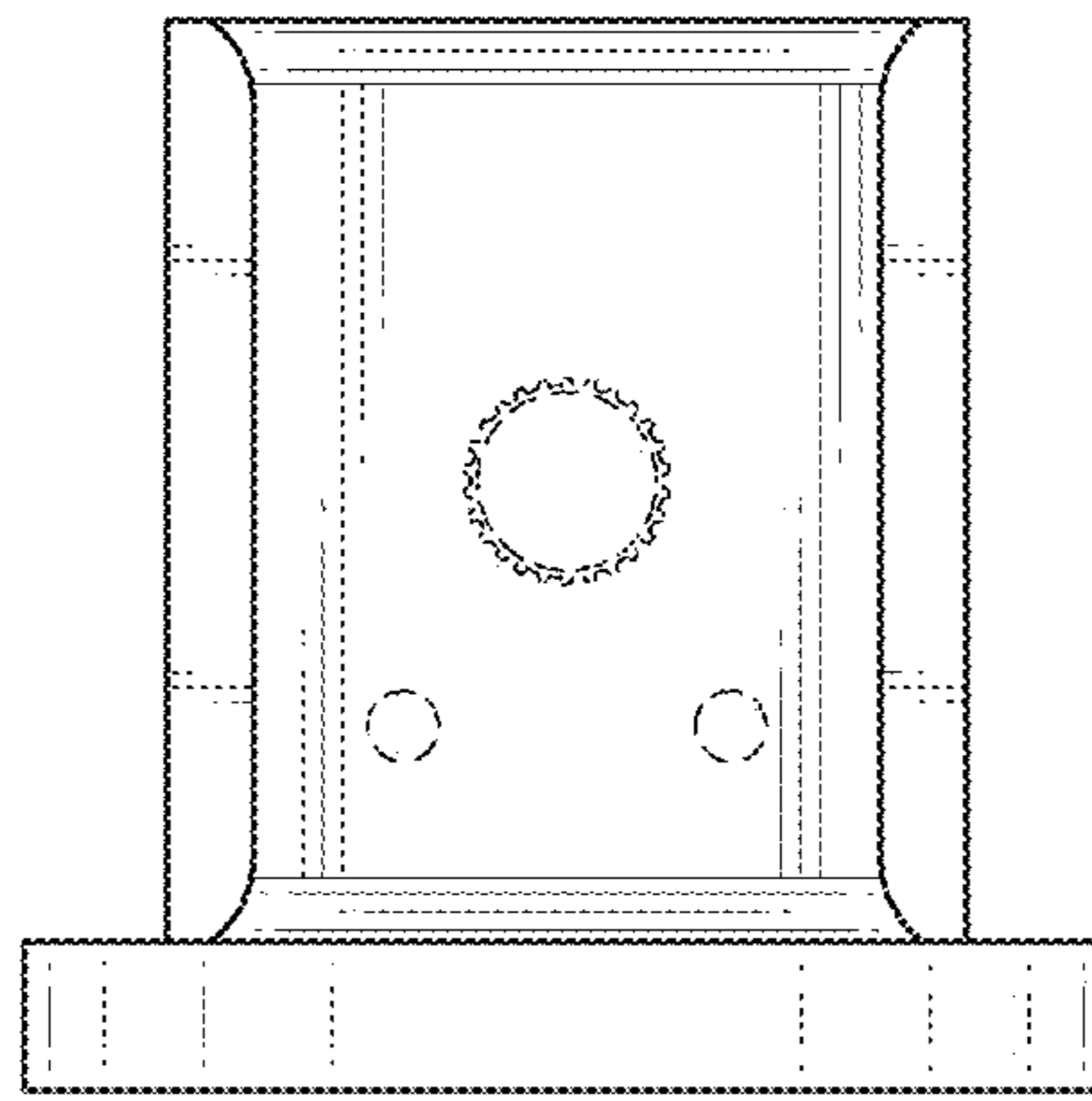


FIG. 7