



US00D989061S

(12) **United States Design Patent**  
**Zhang**

(10) **Patent No.:** **US D989,061 S**  
(45) **Date of Patent:** **\*\* Jun. 13, 2023**

(54) **CASE FOR MOBILE TELEPHONE**

D907,023 S \* 1/2021 Lee ..... D14/250  
D908,674 S \* 1/2021 Kim ..... D14/250  
D908,679 S \* 1/2021 Kim ..... D14/250

(71) Applicant: **Guangzhou Eastmate Plastic Product Co., Ltd.**, Guangzhou (CN)

(Continued)

(72) Inventor: **Yiqiang Zhang**, Guangzhou (CN)

**OTHER PUBLICATIONS**

(\*\*) Term: **15 Years**

Casebus—Classic Armor#1 Phone Case (Built-in Magnetic Car Kickstand), publication date Jun. 8, 2021, [online] URL: [https://www.casebus.com/smartphone-cases/product/iphone-11-case\\_Premium-Drop-Impact-Case-360-Metal-Rotating-Ring-Kickstand-Holder-Magnetic-Car-Mount-Armor-Shockproof-Cover-case](https://www.casebus.com/smartphone-cases/product/iphone-11-case_Premium-Drop-Impact-Case-360-Metal-Rotating-Ring-Kickstand-Holder-Magnetic-Car-Mount-Armor-Shockproof-Cover-case) (Year: 2021).\*

(21) Appl. No.: **35/514,799**

(22) Filed: **Jul. 4, 2022**

(Continued)

(80) **Hague Agreement Data**

Int. Filing Date: **Jul. 4, 2022**  
Int. Reg. No.: **DM/222136**  
Int. Reg. Date: **Jul. 4, 2022**  
Int. Reg. Pub. Date: **Jul. 29, 2022**

*Primary Examiner* — L. A. Grabenstetter

(30) **Foreign Application Priority Data**

May 23, 2022 (CN) ..... 202230306963.X

(51) **LOC (14) Cl.** ..... **14-03**

(52) **U.S. Cl.**  
USPC ..... **D14/250**

(58) **Field of Classification Search**  
USPC ..... D3/201, 218; D14/217, 248, 250–253,  
D14/432, 434, 440, 441, 447  
CPC ..... H04B 1/3888; H04M 1/0283; H04M  
1/0202; A45F 2005/028; A45F 2200/0525  
See application file for complete search history.

(57) **CLAIM**

The ornamental design for a case for mobile telephone, as shown and described.

(56) **References Cited**

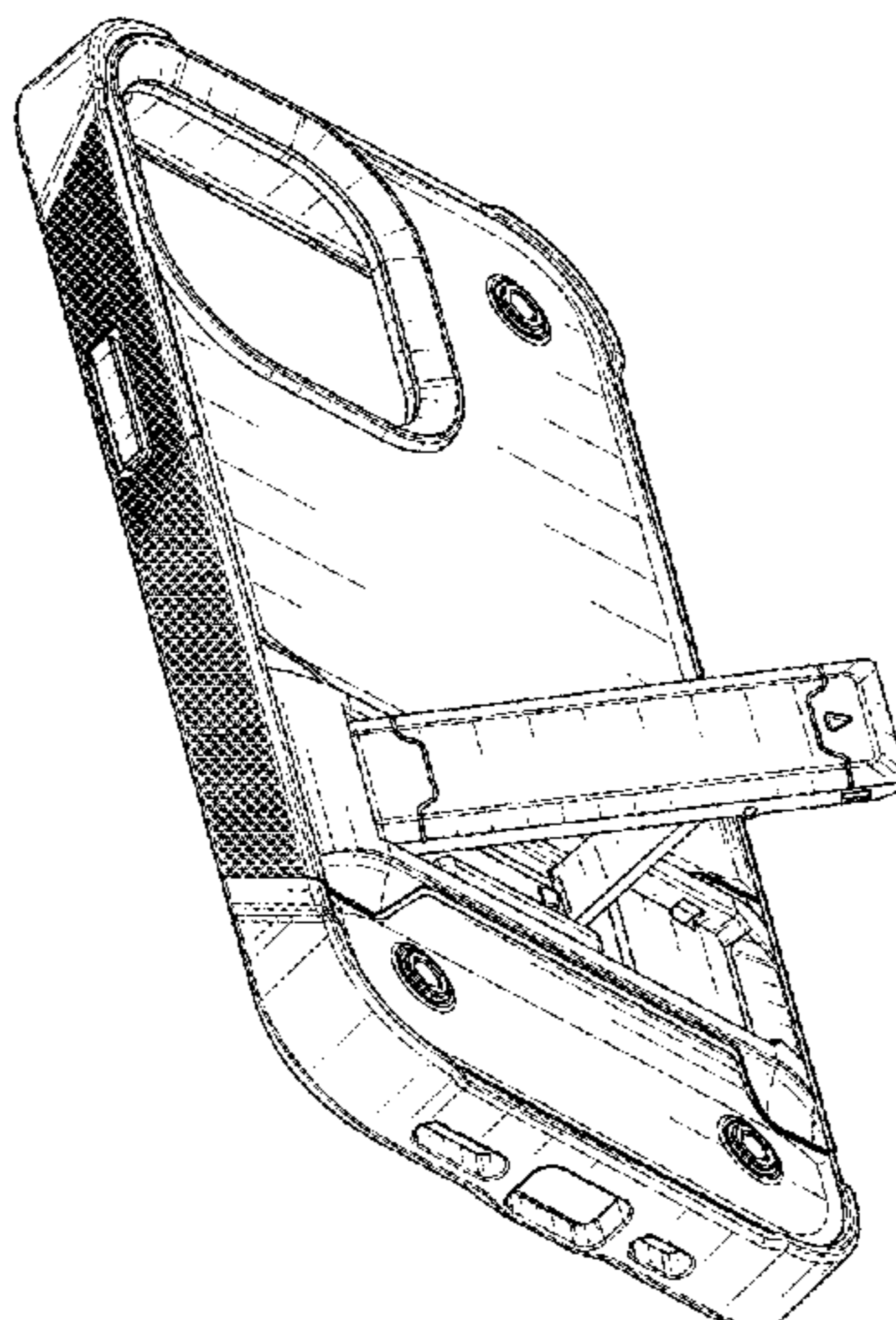
**U.S. PATENT DOCUMENTS**

D763,843 S \* 8/2016 Gustavson, II ..... D14/250  
D845,292 S \* 4/2019 Fitzgerald ..... D14/250  
D876,422 S \* 2/2020 Armstrong ..... D14/250  
D888,032 S \* 6/2020 Armstrong ..... D14/250  
D893,467 S \* 8/2020 Kim ..... D14/250  
D895,598 S \* 9/2020 Kim ..... D14/250  
D896,212 S \* 9/2020 Wang ..... D14/250  
D904,385 S \* 12/2020 Weng ..... D14/250  
D906,327 S \* 12/2020 Kwon ..... D14/250

**DESCRIPTION**

1. Case for mobile telephone  
1.1 : Front  
1.2 : Rear view  
1.3 : Left  
1.4 : Right  
1.5 : Top  
1.6 : Bottom  
1.7 : Front perspective view  
1.8 : Rear perspective view  
1.9 : Front perspective view showing the support stand portion  
1.10 : Enlarged  
1.11 : Enlarged  
Fig. 1.10 is an enlarged view of the corresponding portion of fig. 1.3 outlined by a dot-dash broken line; Fig. 1.11 is an enlarged view of the corresponding portion of fig. 1.4 outlined by a dot-dash broken line; The dot-dash broken lines in figs. 1.3, 1.4, 1.10 and 1.11 delineate portions of the claimed design that are shown on an enlarged scale in figs. 1.10 and 1.11, and form no part of the claimed design.

**1 Claim, 11 Drawing Sheets**



(56)

**References Cited**

U.S. PATENT DOCUMENTS

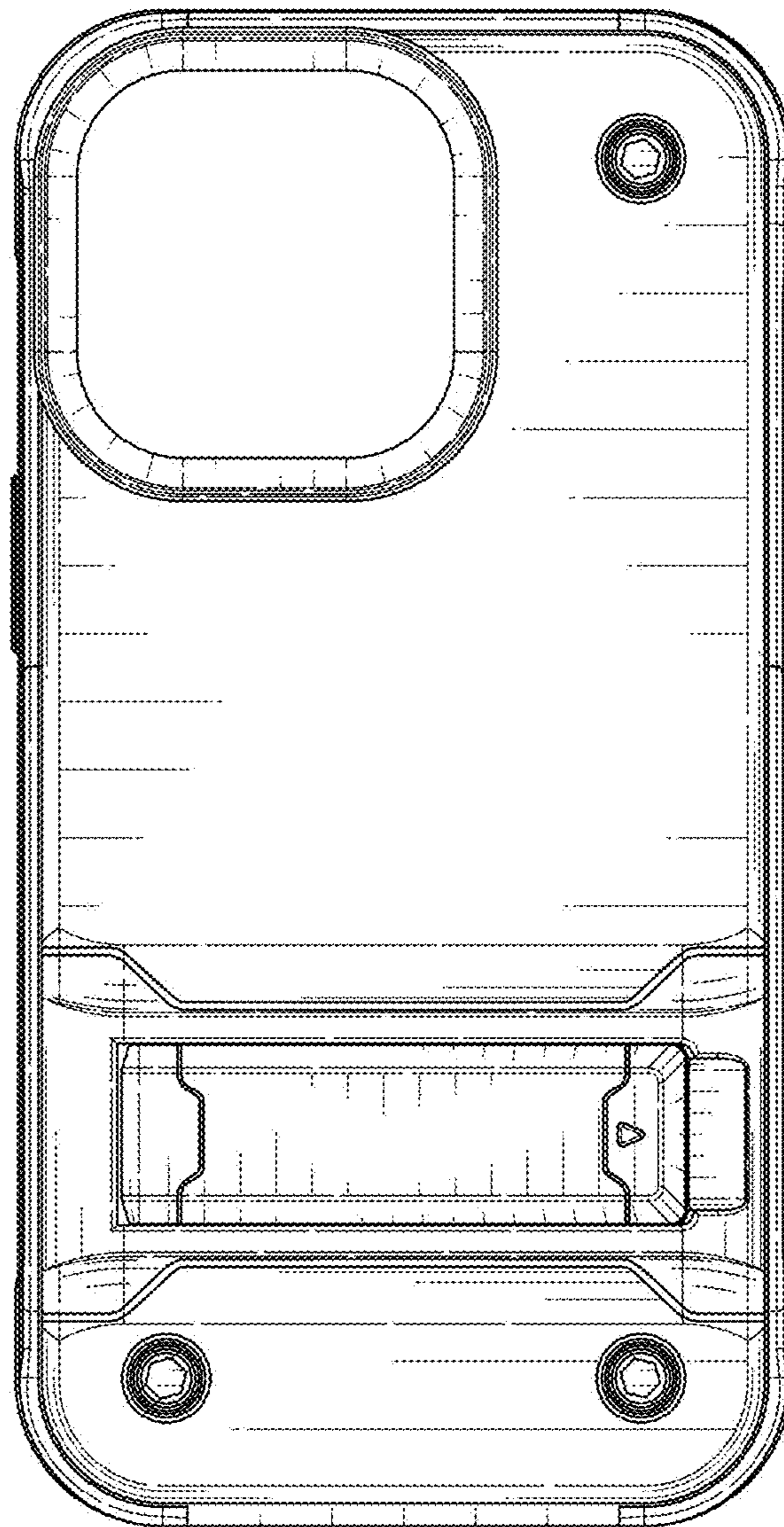
D909,359	S	*	2/2021	Kim	.....	D14/250
D909,361	S	*	2/2021	Kim	.....	D14/250
D915,379	S	*	4/2021	Kim	.....	D14/250
D916,071	S	*	4/2021	Lin	.....	D14/250
D917,443	S	*	4/2021	Ting	.....	D14/250
10,973,293	B2	*	4/2021	Armstrong	.....	H04B 1/3888
D927,475	S	*	8/2021	Zhang	.....	D14/250
D934,223	S	*	10/2021	Kim	.....	D14/250
D936,643	S	*	11/2021	Yang	.....	D14/250
D938,406	S	*	12/2021	Li	.....	D14/250
D940,698	S	*	1/2022	Qu	.....	D14/250
D947,165	S	*	3/2022	Wu	.....	D14/250
D947,167	S	*	3/2022	Brown	.....	D14/250

OTHER PUBLICATIONS

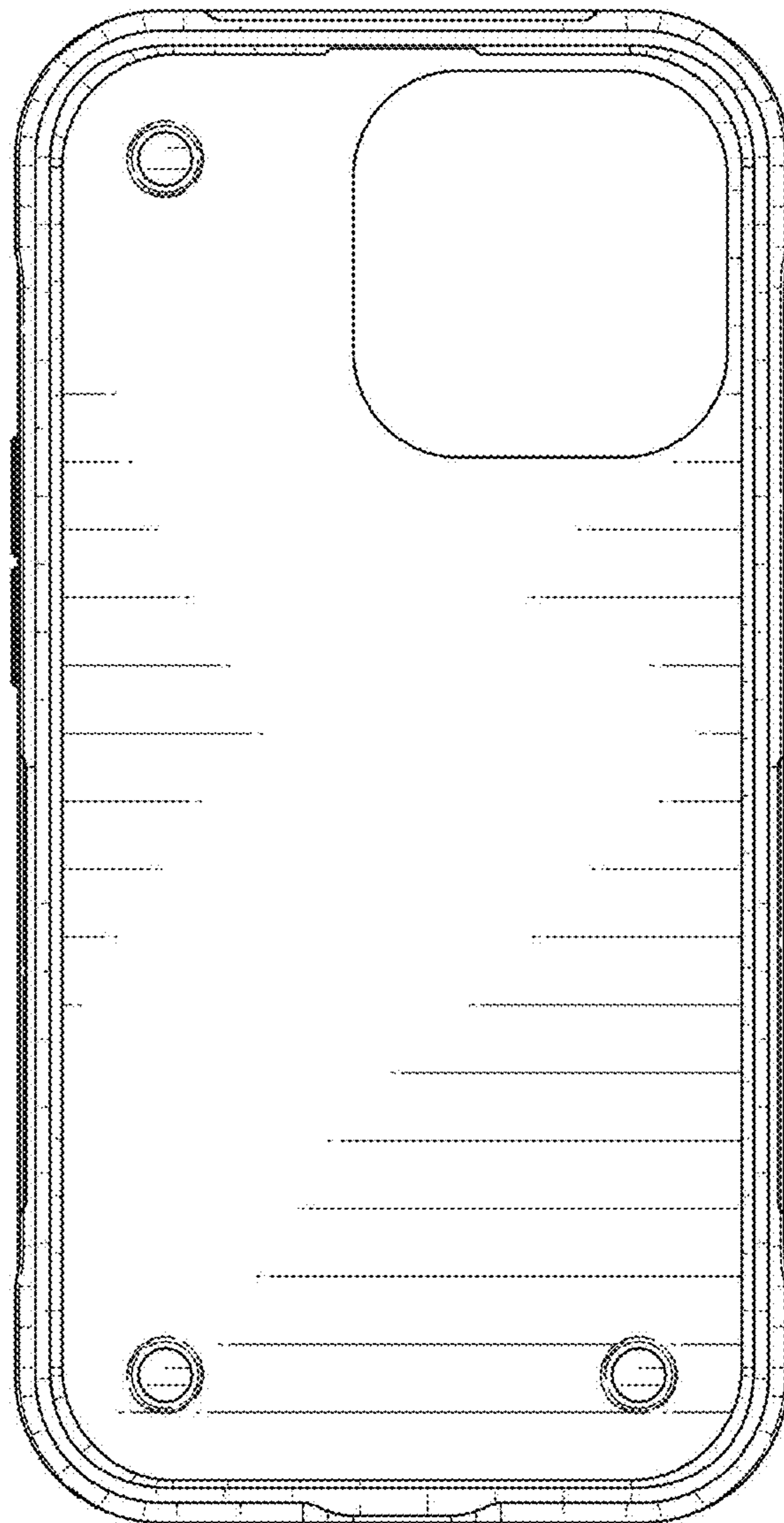
Casebus—Classic Armor#3 Phone Case (Built-in Magnetic Car Kickstand), publication date Jun. 17, 2021, [online] URL: [https://www.casebus.com/smartphone-cases/product/iphone-13-case\\_Classic-Armor-15ft-Drop-Tested-Protective-Kickstand-Cover-case\\_Color-Blue](https://www.casebus.com/smartphone-cases/product/iphone-13-case_Classic-Armor-15ft-Drop-Tested-Protective-Kickstand-Cover-case_Color-Blue) (Year: 2021).\*

\* cited by examiner

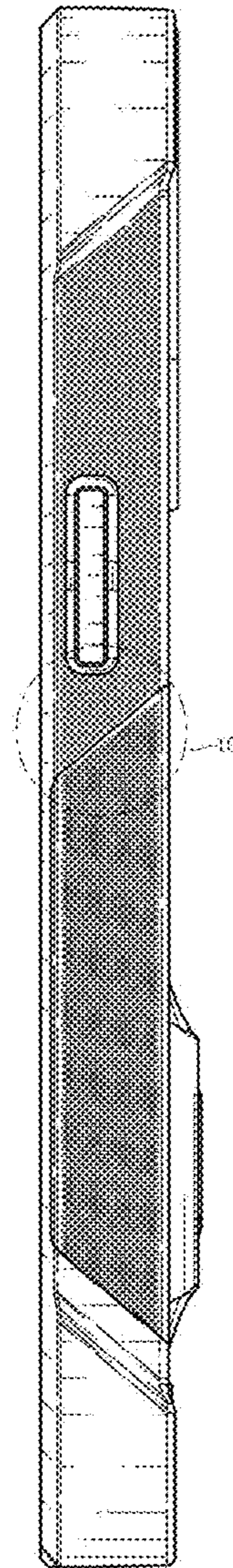
1.1



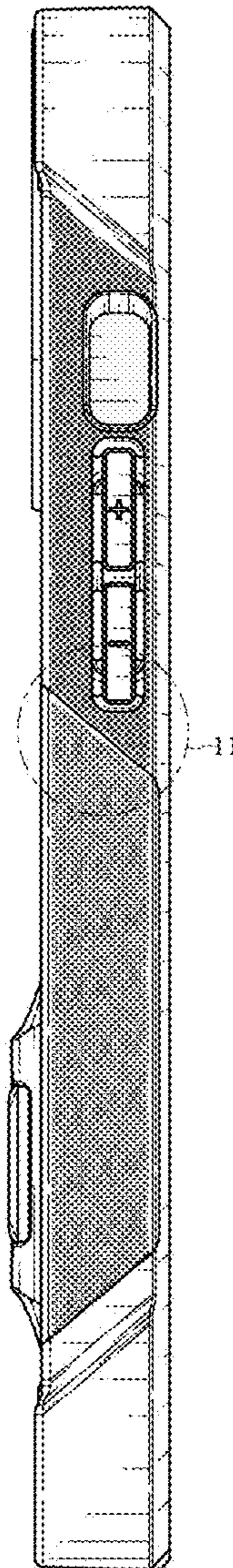
1.2



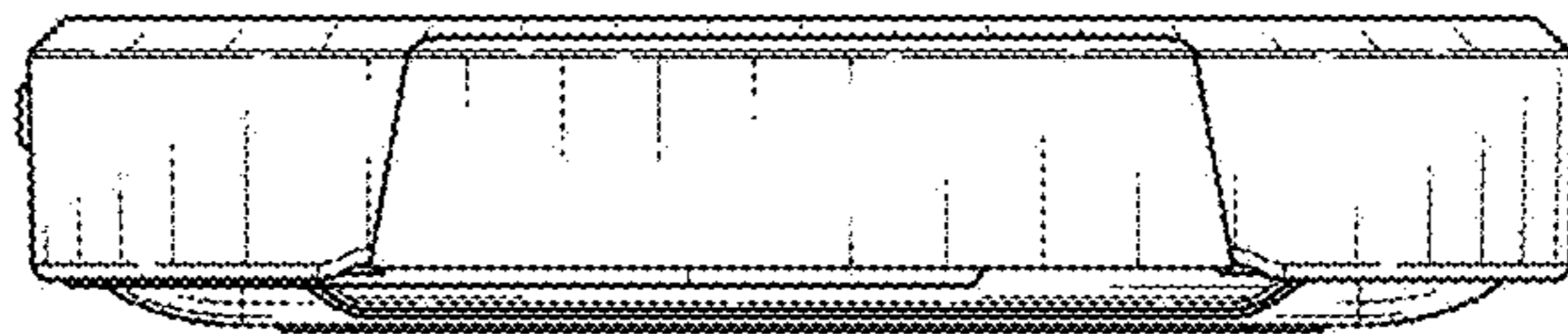
1.3



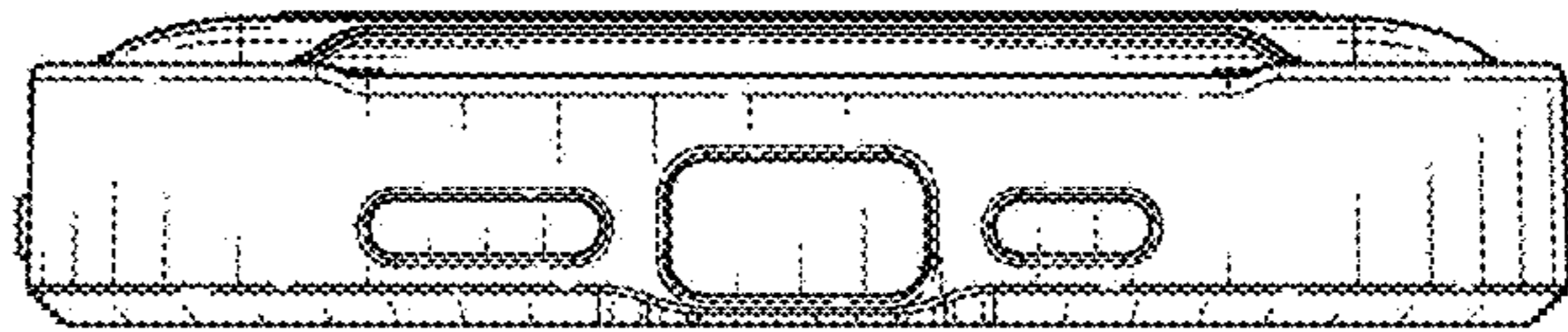
1.4



1.5

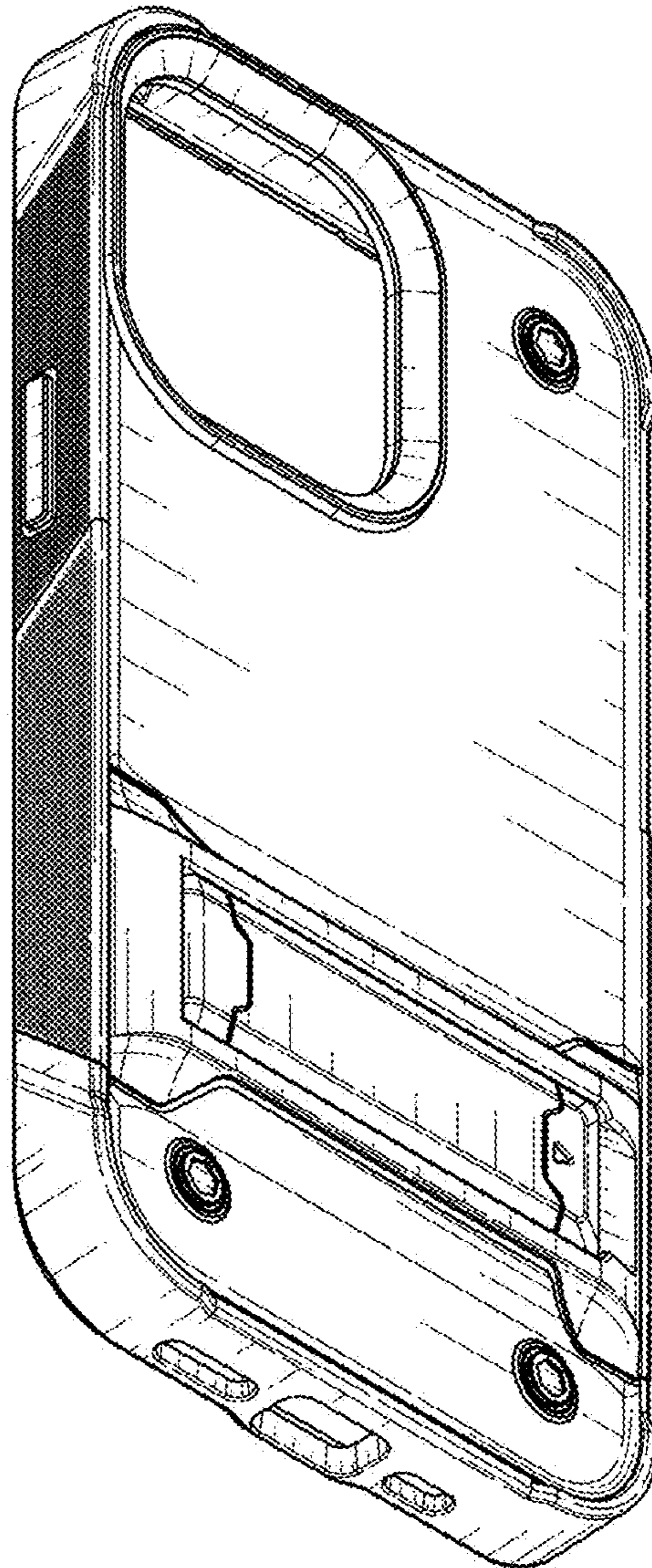


1.6

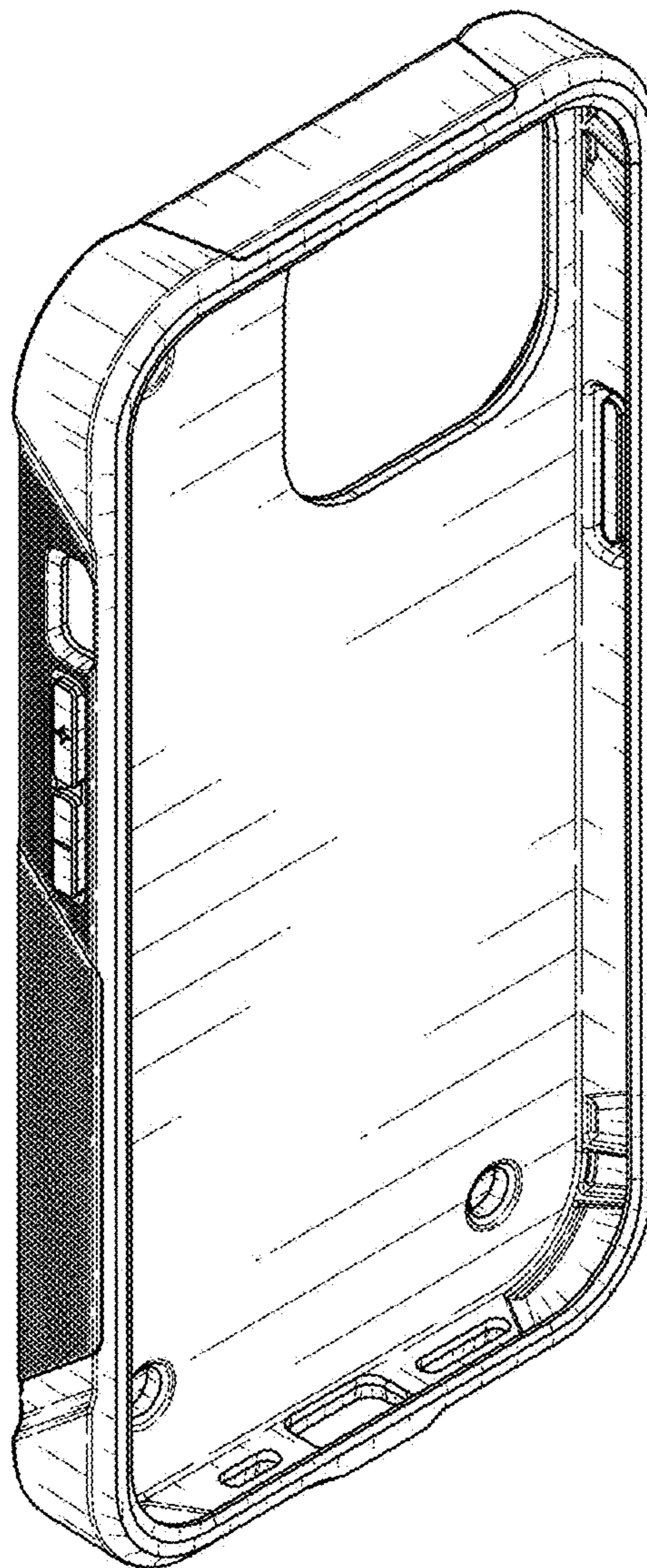




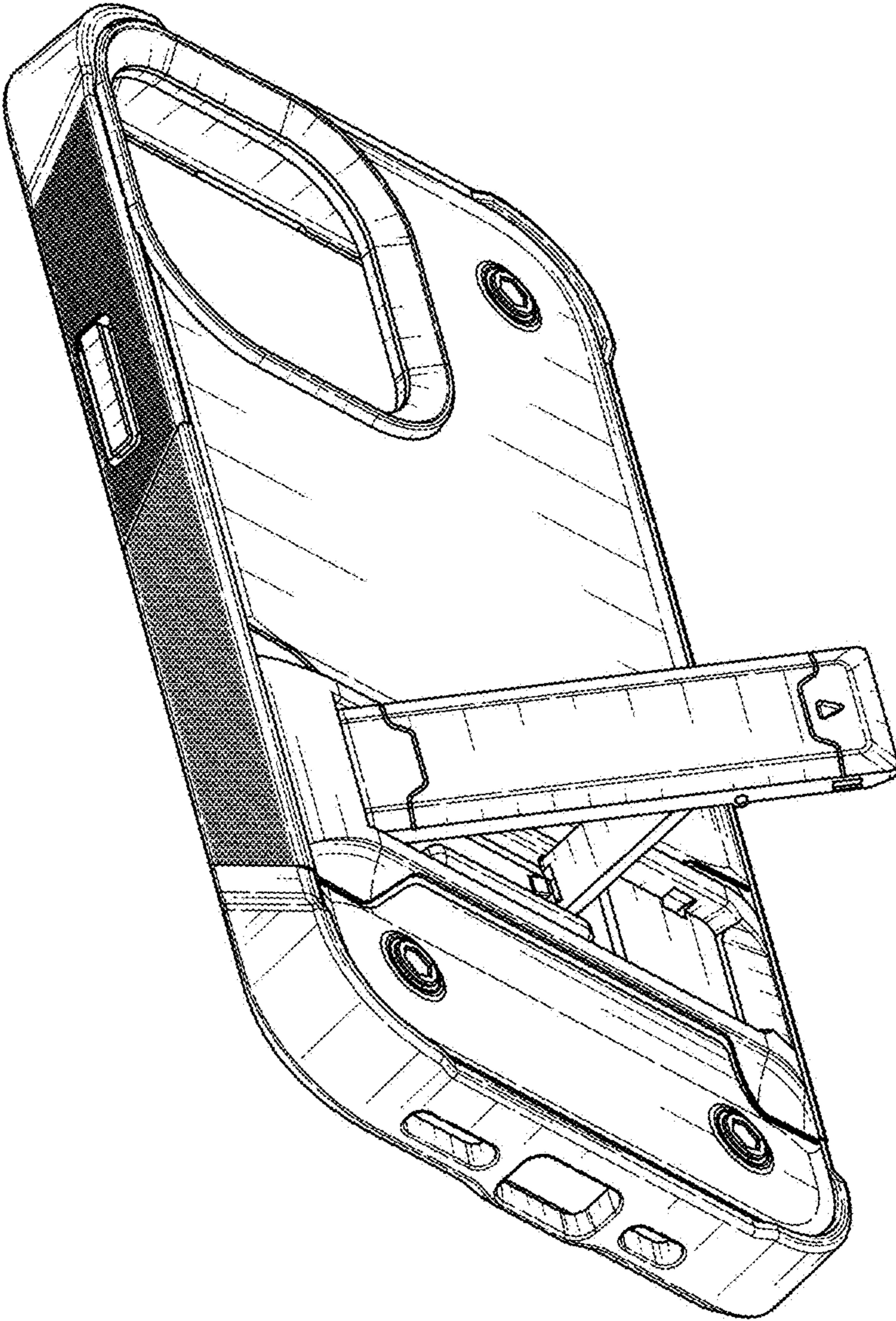
1.7



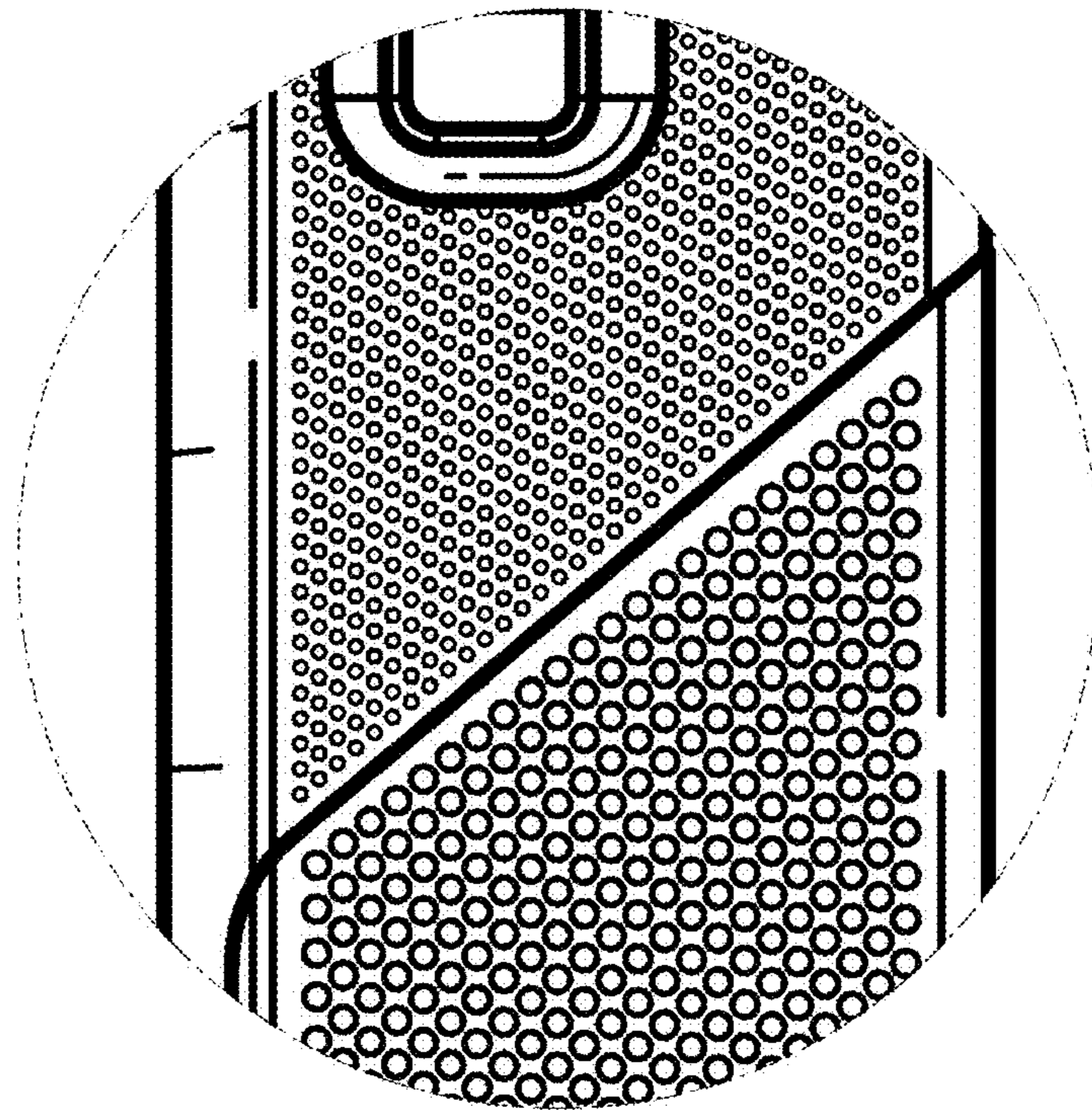
1.8



1.9



1.10



1.11

