



US00D989060S

(12) **United States Design Patent**  
**Lee et al.**

(10) **Patent No.:** **US D989,060 S**  
(45) **Date of Patent:** **\*\* Jun. 13, 2023**

(54) **MOBILE PHONE CASE**

(71) Applicants: **OLOR CO., LTD.**, Seoul (KR);  
**Myung Hee Lee**, Seoul (KR); **Ju Hyun Lee**, Seoul (KR)

(72) Inventors: **Myung Hee Lee**, Seoul (KR); **Ju Hyun Lee**, Seoul (KR); **Seung Seok Jo**, Seoul (KR)

(73) Assignees: **OLOR CO., LTD.**, Seoul (KR);  
**Myung Hee Lee**, Seoul (KR); **Ju Hyun Lee**, Seoul (KR)

(\*\*) Term: **15 Years**

(21) Appl. No.: **35/514,452**

(22) Filed: **Dec. 17, 2021**

(80) **Hague Agreement Data**

Int. Filing Date: **Dec. 17, 2021**

Int. Reg. No.: **DM/220417**

Int. Reg. Date: **Dec. 17, 2021**

Int. Reg. Pub. Date: **Jun. 17, 2022**

(30) **Foreign Application Priority Data**

Jun. 18, 2021 (KR) ..... 30-2021-0029183

(51) **LOC (14) Cl.** ..... **14-03**

(52) **U.S. Cl.**  
USPC ..... **D14/250**

(58) **Field of Classification Search**

USPC ..... D3/201, 218, 321, 322; D14/217, 248,  
D14/250-253, 432, 434, 440, 441, 447;  
D8/402, 403

CPC ..... H04B 1/3888; H04M 1/0283; H04M  
1/0202; A45F 2005/028; A45F 2200/0525

See application file for complete search history.

(56) **References Cited**

U.S. PATENT DOCUMENTS

D114,962 S \* 5/1939 Ortner ..... D3/276  
D389,158 S \* 1/1998 Oross ..... D14/137  
D422,541 S \* 4/2000 Richter ..... D12/172

(Continued)

OTHER PUBLICATIONS

Minimal Bezl iPhone corners offer maximal protection [Review], publication date Apr. 29, 2014, [online] URL: <https://www.cultofmac.com/276587/minimal-bezl-iphone-corners-offer-maximal-protection/> (Year: 2014).\*

(Continued)

*Primary Examiner* — L. A. Grabenstetter

(74) *Attorney, Agent, or Firm* — Bridgeway IP Law Group, PLLC; Sang Ho Lee; Hyun Woo Shin

(57) **CLAIM**

The ornamental design for a mobile phone case, as shown and described.

**DESCRIPTION**

1. Mobile phone case

1.1 : Perspective

1.2 : Front

1.3 : Back

1.4 : Left

1.5 : Right

1.6 : Top

1.7 : Bottom

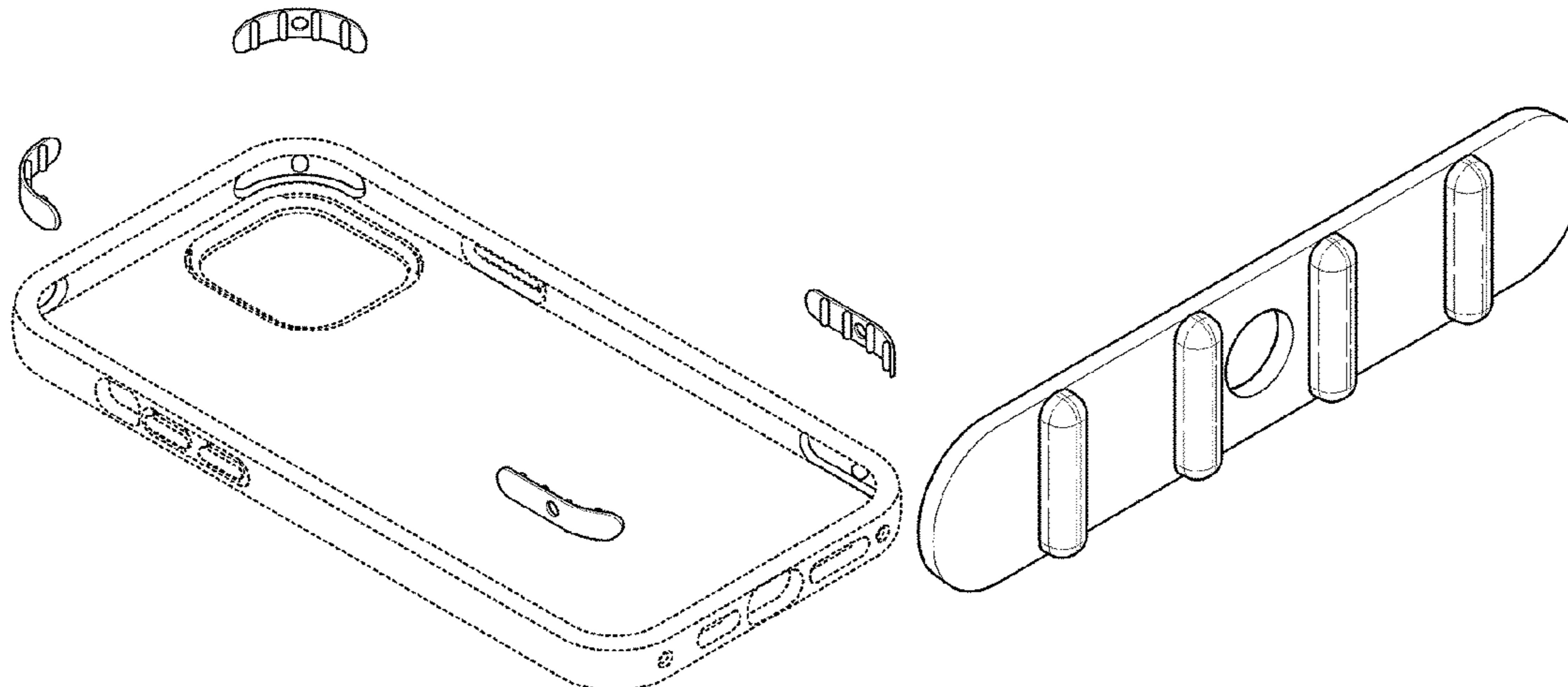
1.8 : Perspective

1.9 : Exploded perspective

1.10 : Anti-collision feature shown in isolation for clarity.

Figure 1.1 is a perspective view; figure 1.2 is a front view; figure 1.3 is a rear view; figure 1.4 is the left side view; figure 1.5 is the right side view; figure 1.6 is a top plan view; figure 1.7 is a bottom view; figure 1.8 is a perspective view from the rear; figure 1.9 illustrates the use of the subject design; figure 1.10 illustrates detachable anti-collision silicone. The broken lines depict portions of the mobile phone case that forms no part of the claimed design.

**1 Claim, 6 Drawing Sheets**



(56)

**References Cited**

U.S. PATENT DOCUMENTS

D423,781 S \* 5/2000 Wei-Chih ..... D3/322  
 D442,182 S \* 5/2001 Oross ..... D14/439  
 D465,333 S \* 11/2002 Chen ..... D3/322  
 D473,380 S \* 4/2003 Chen ..... D3/322  
 D578,537 S \* 10/2008 Tsukahara ..... D14/439  
 D612,718 S \* 3/2010 Lavelle ..... D8/403  
 D623,651 S \* 9/2010 Hsu ..... D14/218  
 D628,879 S \* 12/2010 Kindig ..... D8/403  
 D640,541 S \* 6/2011 Kindig ..... D8/403  
 D640,919 S \* 7/2011 Lavelle ..... D8/403  
 D644,647 S \* 9/2011 Sykes ..... D14/447  
 D649,964 S \* 12/2011 Chikuma ..... D14/315  
 D662,862 S \* 7/2012 Schutz ..... D12/114  
 D693,819 S \* 11/2013 Cocquyt ..... D14/439  
 D704,045 S \* 5/2014 Lavelle ..... D8/403  
 D707,231 S \* 6/2014 Sirichai ..... D14/447  
 D744,898 S \* 12/2015 Morszeck ..... D11/221

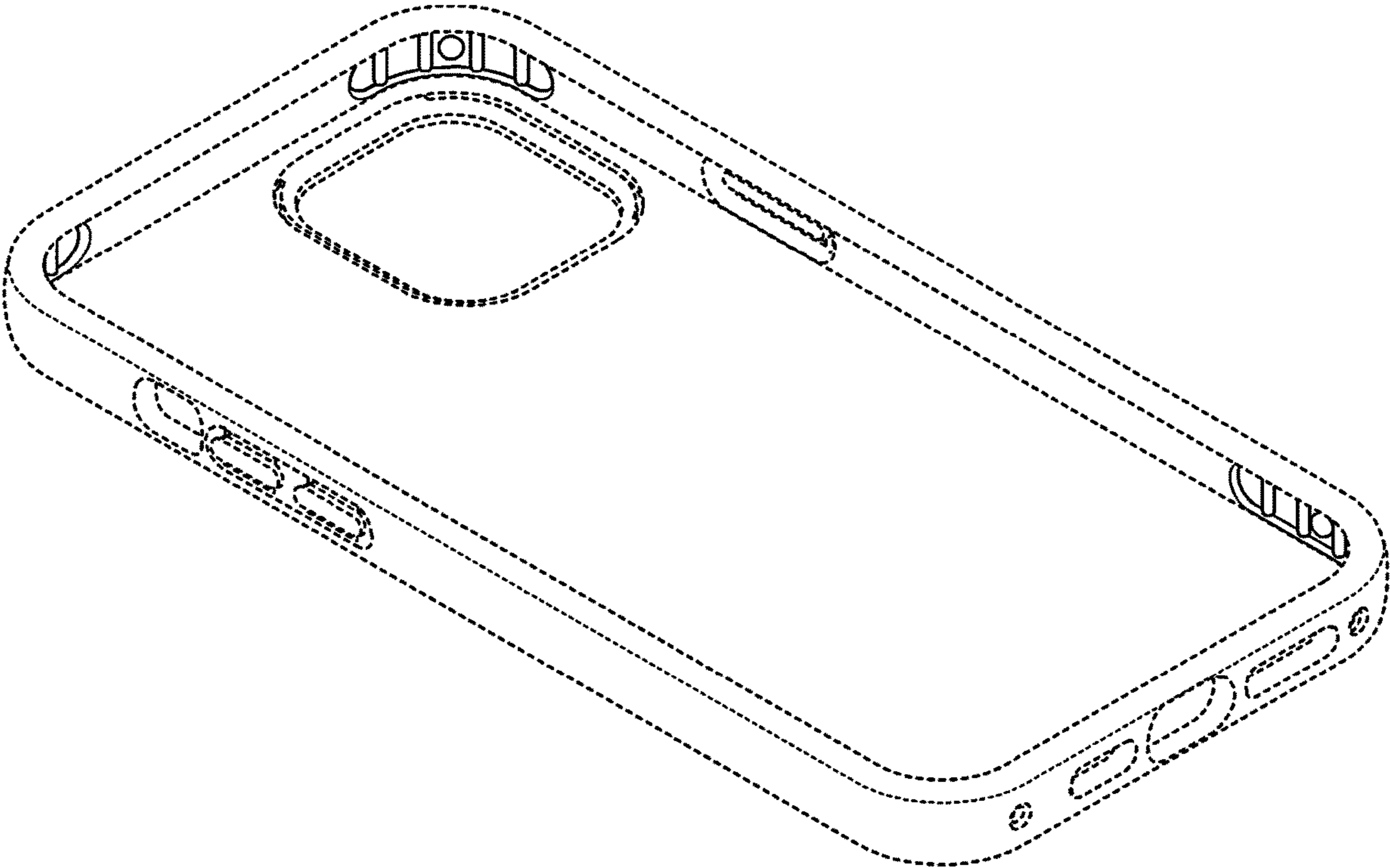
D745,433 S \* 12/2015 Morszeck ..... D11/221  
 D783,394 S \* 4/2017 Peterson ..... D8/402  
 D799,216 S \* 10/2017 Morszeck ..... D3/322  
 D810,732 S \* 2/2018 Fenton ..... D14/341  
 D852,799 S \* 7/2019 Fenton ..... D14/440

OTHER PUBLICATIONS

These are some fancy iPhone corner protectors [Rmour], publication date Nov. 18, 2016, [online] URL: <https://www.theverge.com/circuitbreaker/2016/11/18/13680002/iphone-7-case-corner-rmour-kickstarter> (Year: 2016).\*

These Corner Protectors Give Your iPhone All-Round Protection [Rmour], publication date Jul. 5, 2022, [online] URL: <https://www.yankodesign.com/2022/07/05/these-corner-protectors-give-your-iphone-all-round-protection-while-still-enabling-magsafe-charging/> (Year: 2022).\*

\* cited by examiner



1.1



1.2



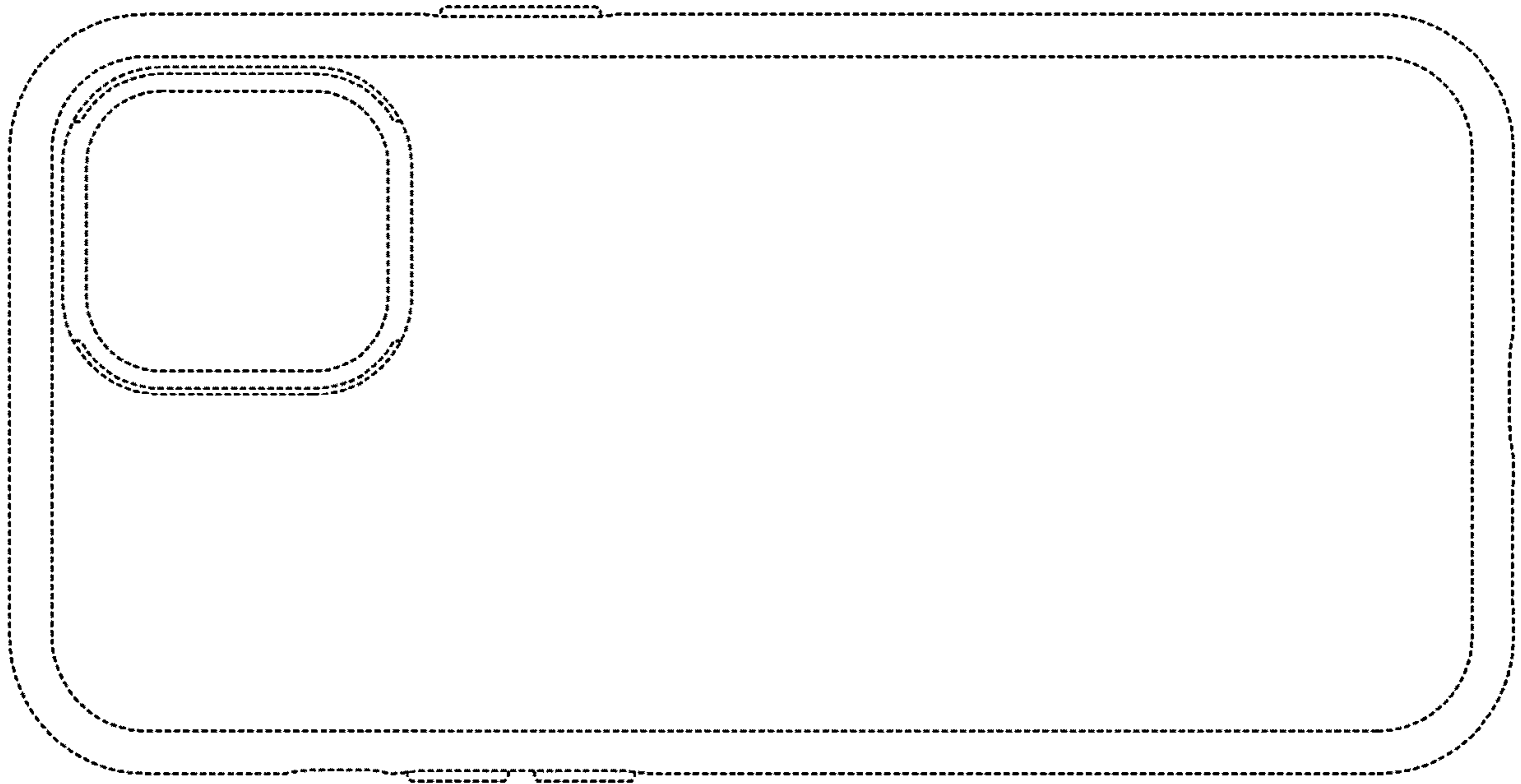
1.3



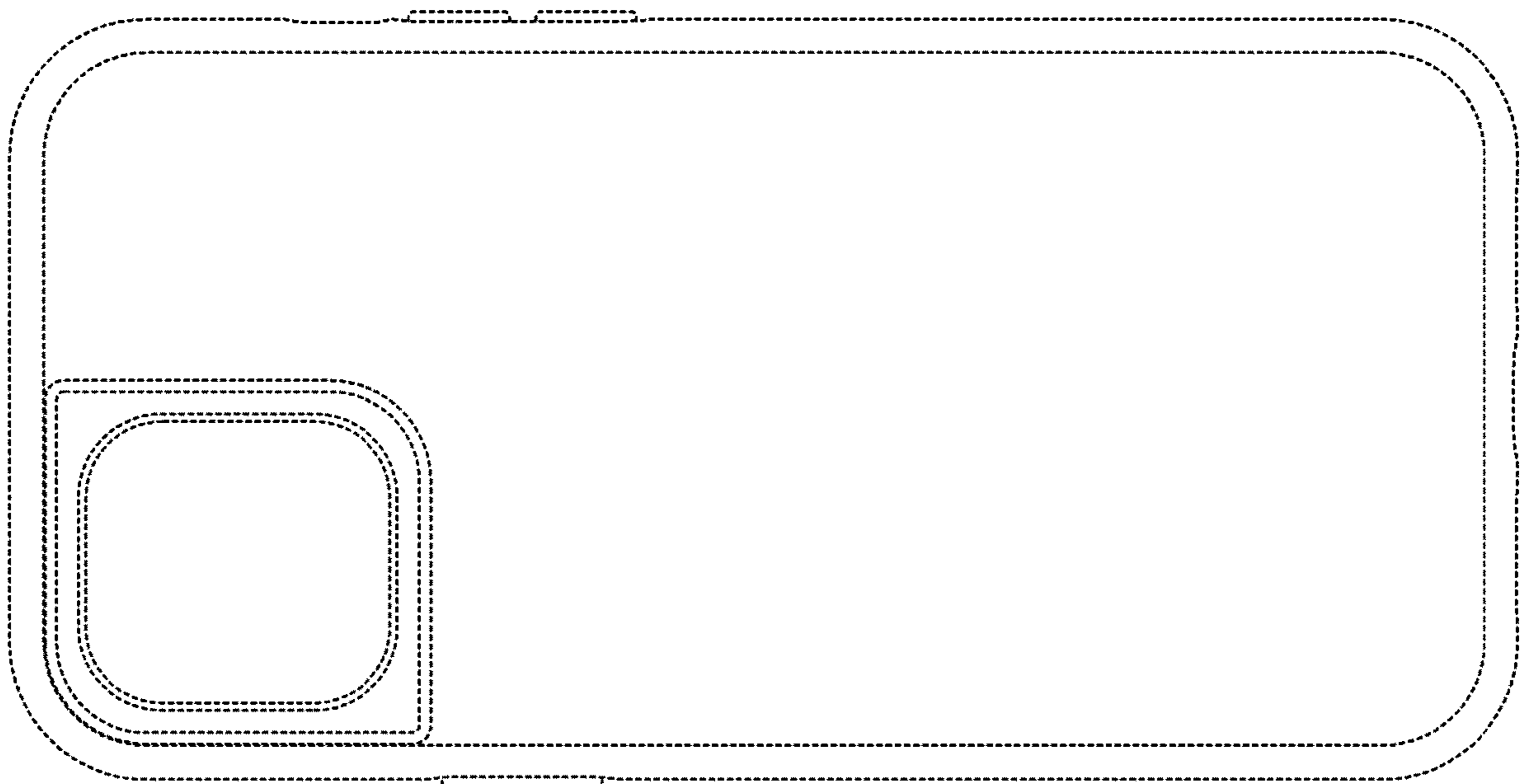
1.4



1.5

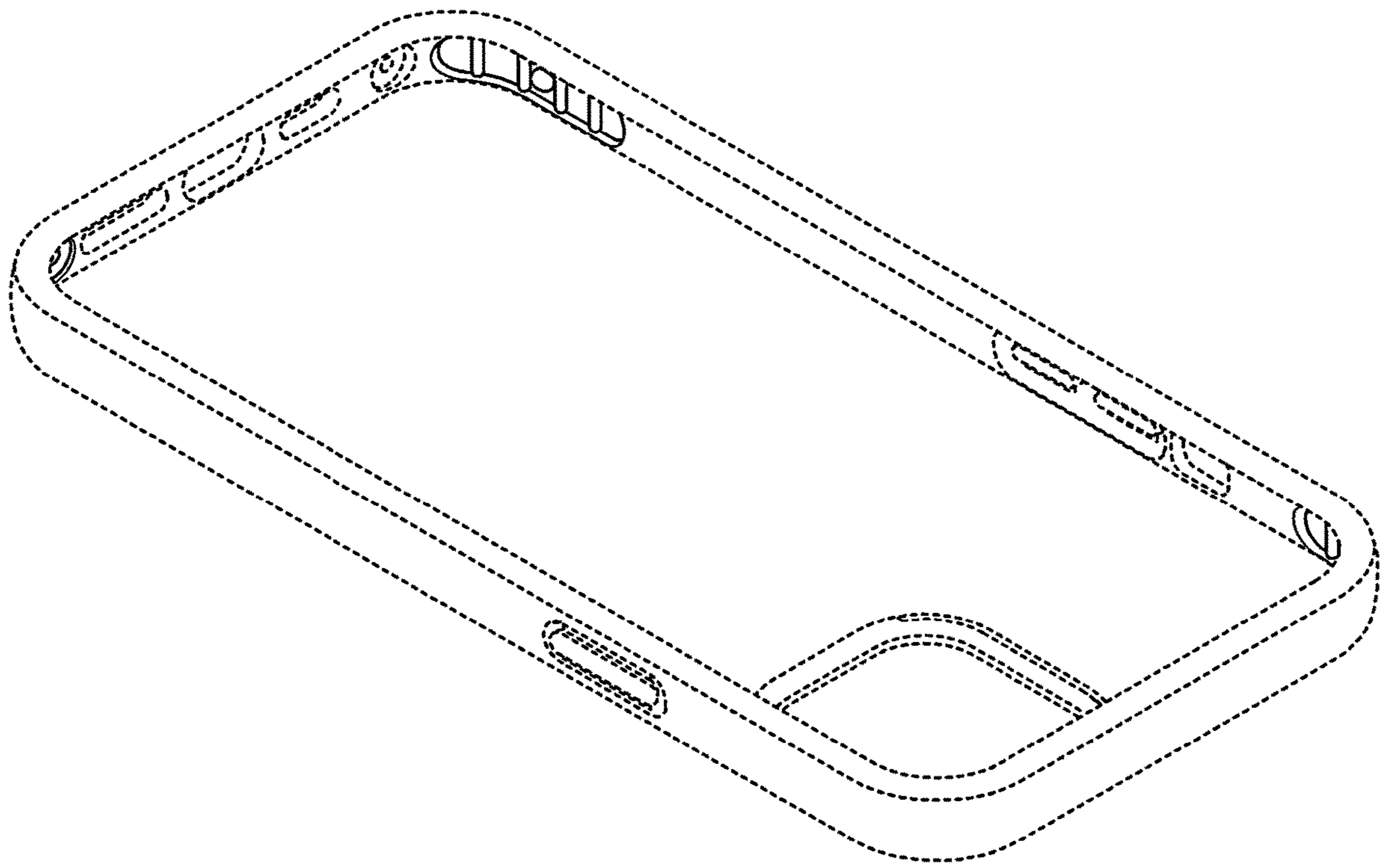


1.6

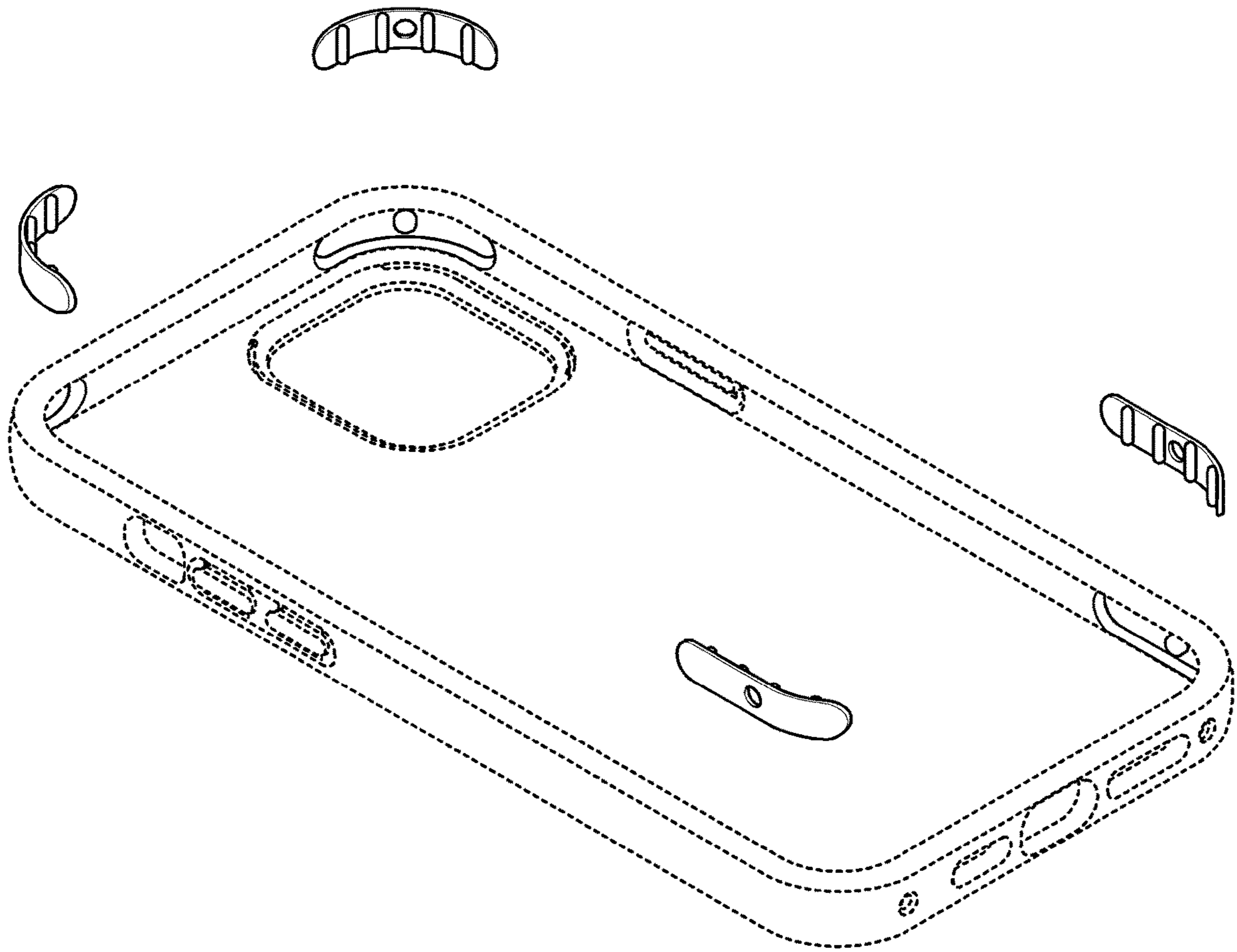


1.7

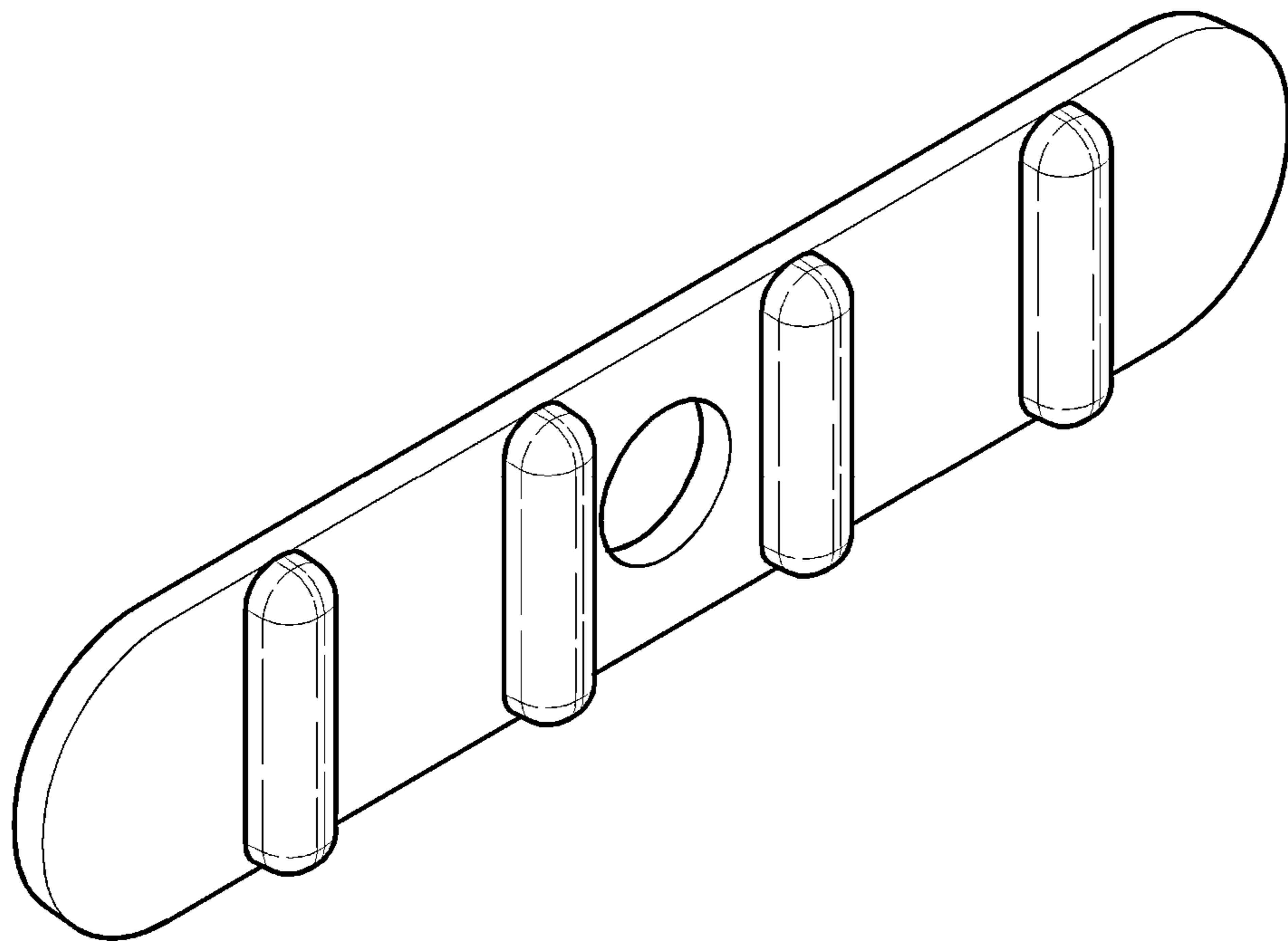




1.8



1.9



**1.10**