



US00D989059S

(12) **United States Design Patent**  
**Chen**

(10) **Patent No.:** **US D989,059 S**  
(45) **Date of Patent:** **\*\* Jun. 13, 2023**

- (54) **PHONE CASE**
- (71) Applicant: **Wenbin Chen**, Shenzhen (CN)
- (72) Inventor: **Wenbin Chen**, Shenzhen (CN)
- (\*\*) Term: **15 Years**
- (21) Appl. No.: **29/886,580**
- (22) Filed: **Mar. 10, 2023**
- (51) **LOC (14) Cl.** ..... **14-03**
- (52) **U.S. Cl.**  
USPC ..... **D14/250**
- (58) **Field of Classification Search**  
USPC ..... D14/203.3, 203.4, 203.5, 203.6, 203.7,  
D14/439, 447, 217, 240, 248, 251, 252,  
D14/253, 238.1, 250, 440; D13/103, 107,  
D13/108, 119; D3/201, 218, 247, 249,  
D3/269, 273, 301, 303  
CPC ..... A45C 11/00; A45C 1/06; A45C 13/02;  
A45C 2011/002; A45C 13/002; A45F  
2200/0525; A45F 2200/0516; A45F  
2005/026; H04M 1/0283; H04M 1/0202;  
H04B 1/3888  
See application file for complete search history.

- (56) **References Cited**  
U.S. PATENT DOCUMENTS  
D376,257 S \* 12/1996 Broussalian ..... D3/247  
D427,766 S \* 7/2000 Hillman ..... D6/633  
D675,197 S \* 1/2013 Losiewicz ..... D14/250  
8,428,664 B1 \* 4/2013 Wyers ..... F16M 13/04  
455/575.1  
D687,026 S \* 7/2013 Ruvolo ..... D14/250  
8,690,210 B1 \* 4/2014 May ..... G06F 1/163  
224/217  
D705,767 S \* 5/2014 Yoon ..... D14/250  
D711,866 S \* 8/2014 Kawata ..... D14/250  
D717,780 S \* 11/2014 Tussy ..... D14/250  
D724,310 S \* 3/2015 Dong ..... D3/218

- D738,872 S \* 9/2015 Erickson-Davis ..... D3/218
- D759,966 S \* 6/2016 Pignotti ..... D3/247
- D777,162 S \* 1/2017 Erickson-Davis ..... D14/250
- D782,190 S \* 3/2017 Bauer ..... D3/247
- D794,007 S \* 8/2017 Zhang ..... D14/250
- D817,316 S \* 5/2018 Srour ..... D14/251
- D827,629 S \* 9/2018 Yu ..... D14/250
- D830,354 S \* 10/2018 Deng ..... D3/249
- D839,254 S \* 1/2019 Nazar ..... D14/250
- D851,921 S \* 6/2019 Goetz ..... D3/218
- D894,167 S \* 8/2020 Feller ..... D14/251
- D905,039 S \* 12/2020 Zhao ..... D14/250
- D906,325 S \* 12/2020 Zhao ..... D14/250
- D908,118 S \* 1/2021 Lu ..... D3/249
- D920,336 S \* 5/2021 Cheng ..... D14/440

(Continued)

Primary Examiner — Carla J Wright

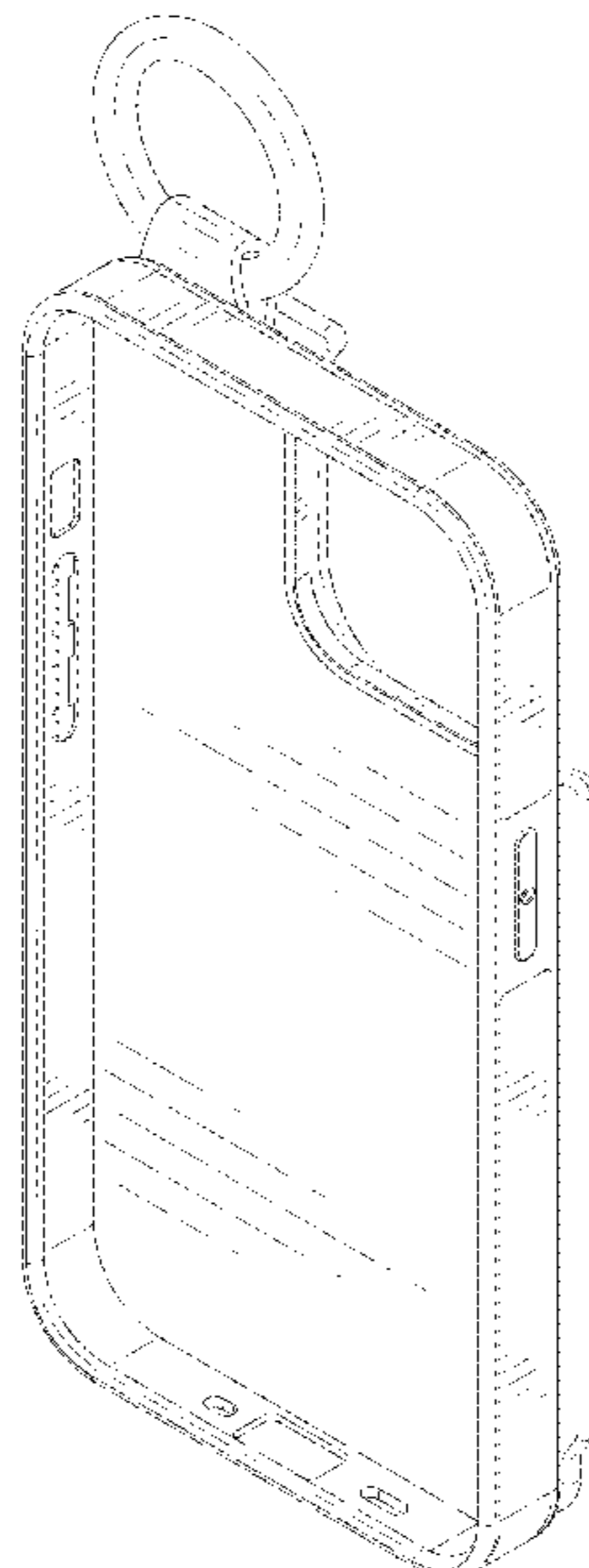
(57) **CLAIM**

The ornamental design for a phone case, as shown and described.

**DESCRIPTION**

FIG. 1 is a front perspective view of a phone case, showing my new design;  
 FIG. 2 is a rear perspective view thereof;  
 FIG. 3 is a front view thereof;  
 FIG. 4 is a rear view thereof;  
 FIG. 5 is a left side view thereof;  
 FIG. 6 is a right side view thereof;  
 FIG. 7 is a top view thereof;  
 FIG. 8 is a bottom view thereof;  
 FIG. 9 is a rear, right-side, and top perspective view thereof showing the rear compartment in an open state;  
 FIG. 10 is a rear, left-side, and bottom perspective view thereof showing the rear compartment in an open state;  
 FIG. 11 is a rear, right-side, and top perspective view thereof showing the strap in an extended state; and,  
 FIG. 12 is a rear, left-side, and bottom perspective view thereof showing the strap in an extended state.

**1 Claim, 12 Drawing Sheets**



(56)

**References Cited**

U.S. PATENT DOCUMENTS

D929,382	S	*	8/2021	Gwyn	.....	D14/251
D939,493	S	*	12/2021	Liu	.....	D14/250
D948,493	S	*	4/2022	Wei	.....	D14/250
D956,733	S	*	7/2022	Mortier Bjornlund	.....	D14/250
D958,783	S	*	7/2022	Chen	.....	D14/250
D974,346	S		1/2023	Xie		
D978,852	S	*	2/2023	Zou	.....	D3/249
D982,570	S	*	4/2023	Huang	.....	D3/249
2015/0201743	A1	*	7/2015	Erickson-Davis	.....	A45F 5/00 29/428
2019/0350351	A1	*	11/2019	Mody	.....	A45F 5/00

\* cited by examiner

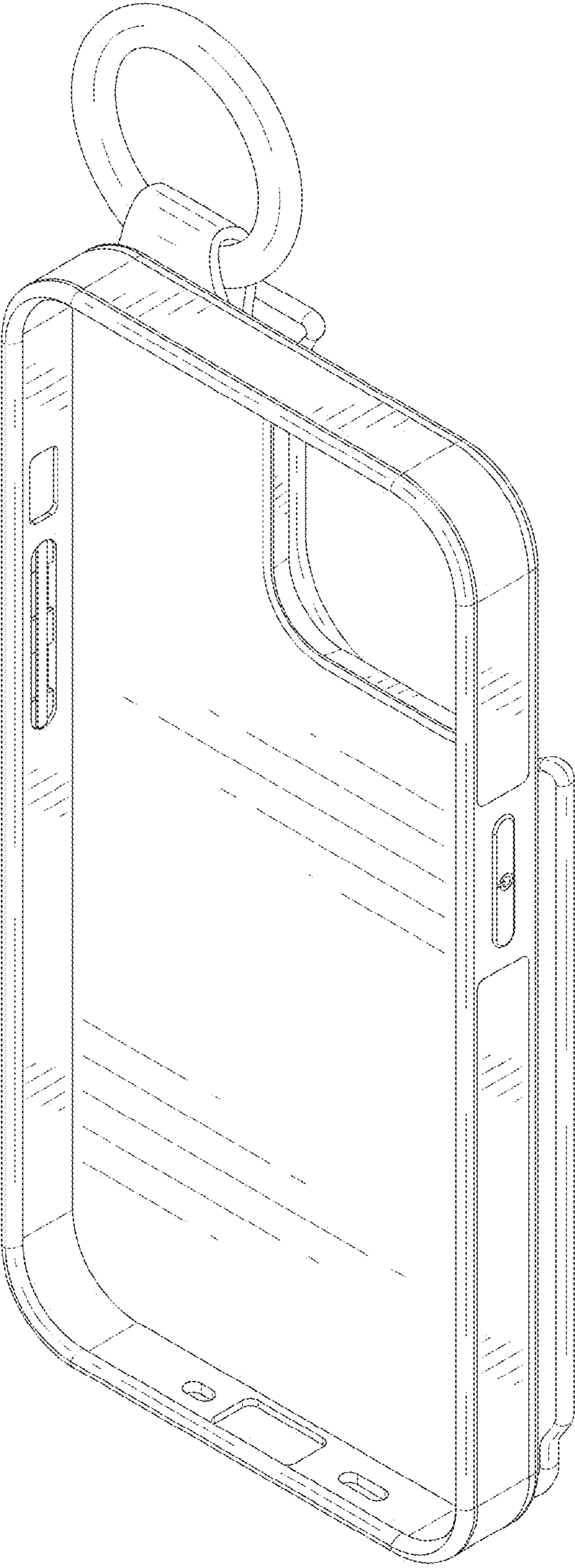


FIG. 1

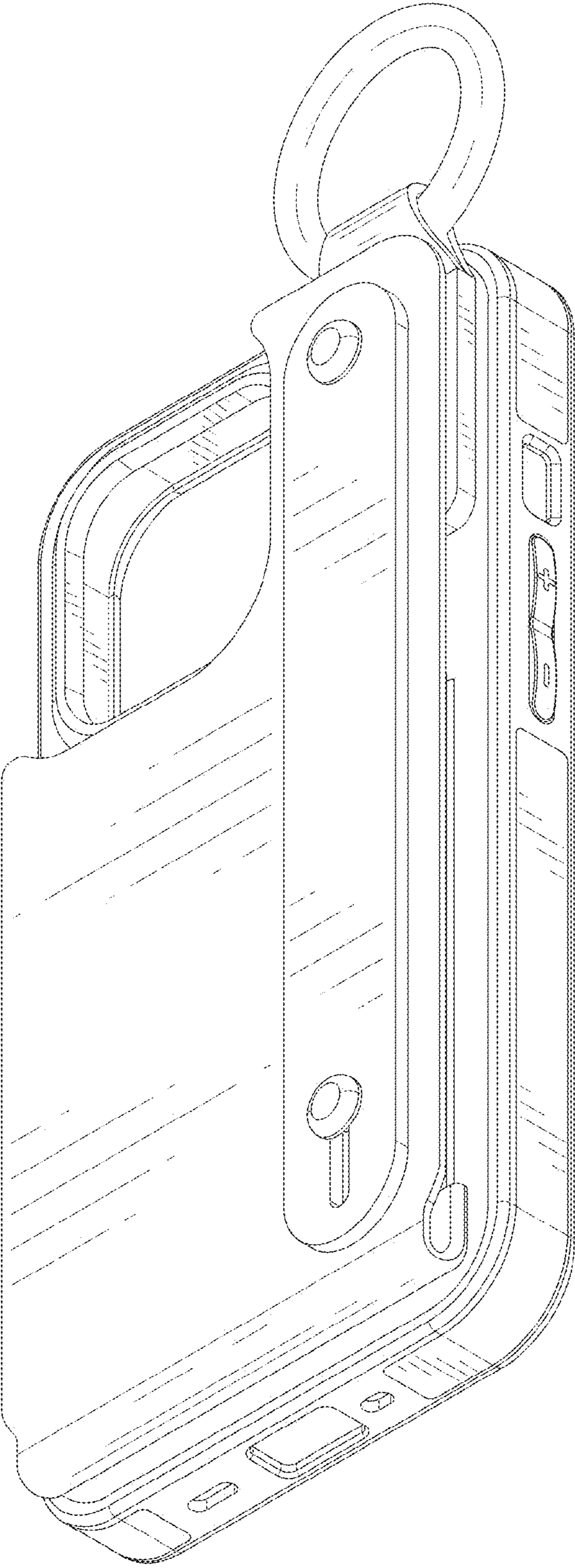


FIG. 2

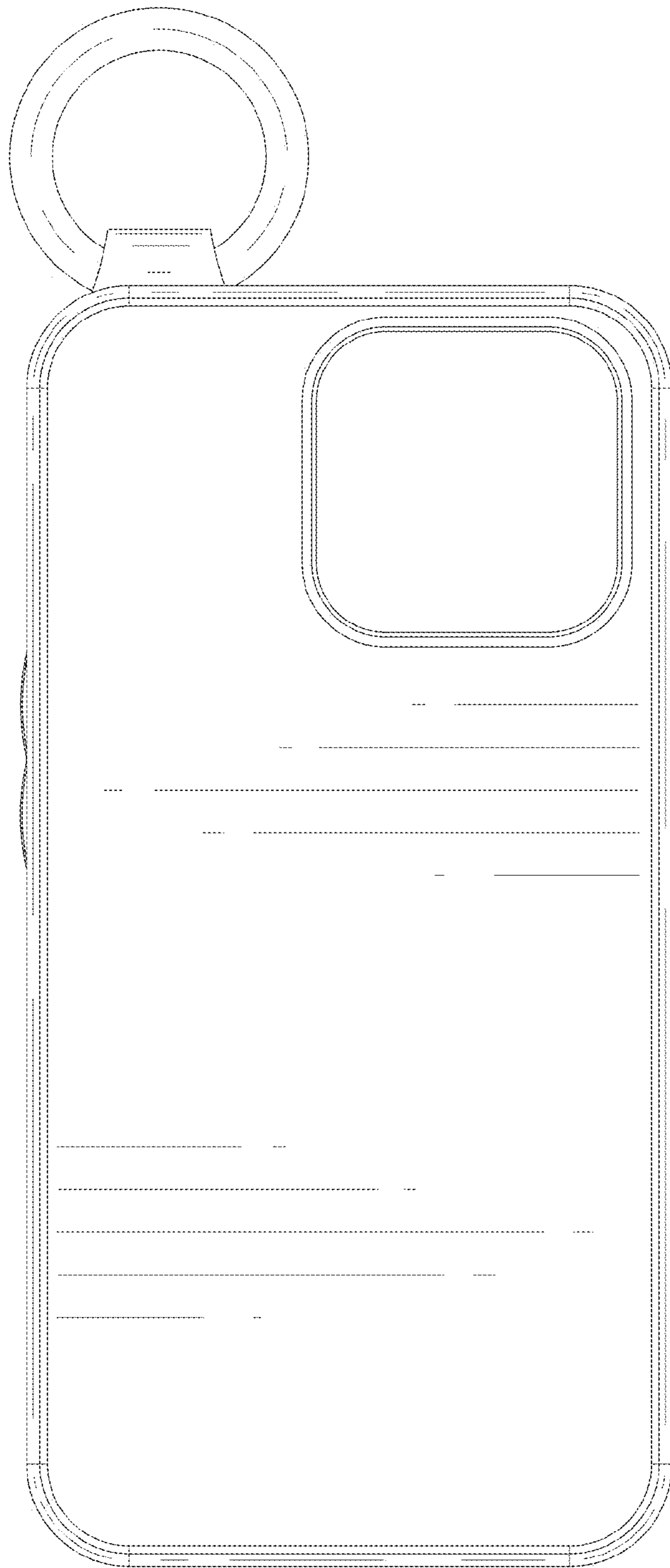


FIG. 3

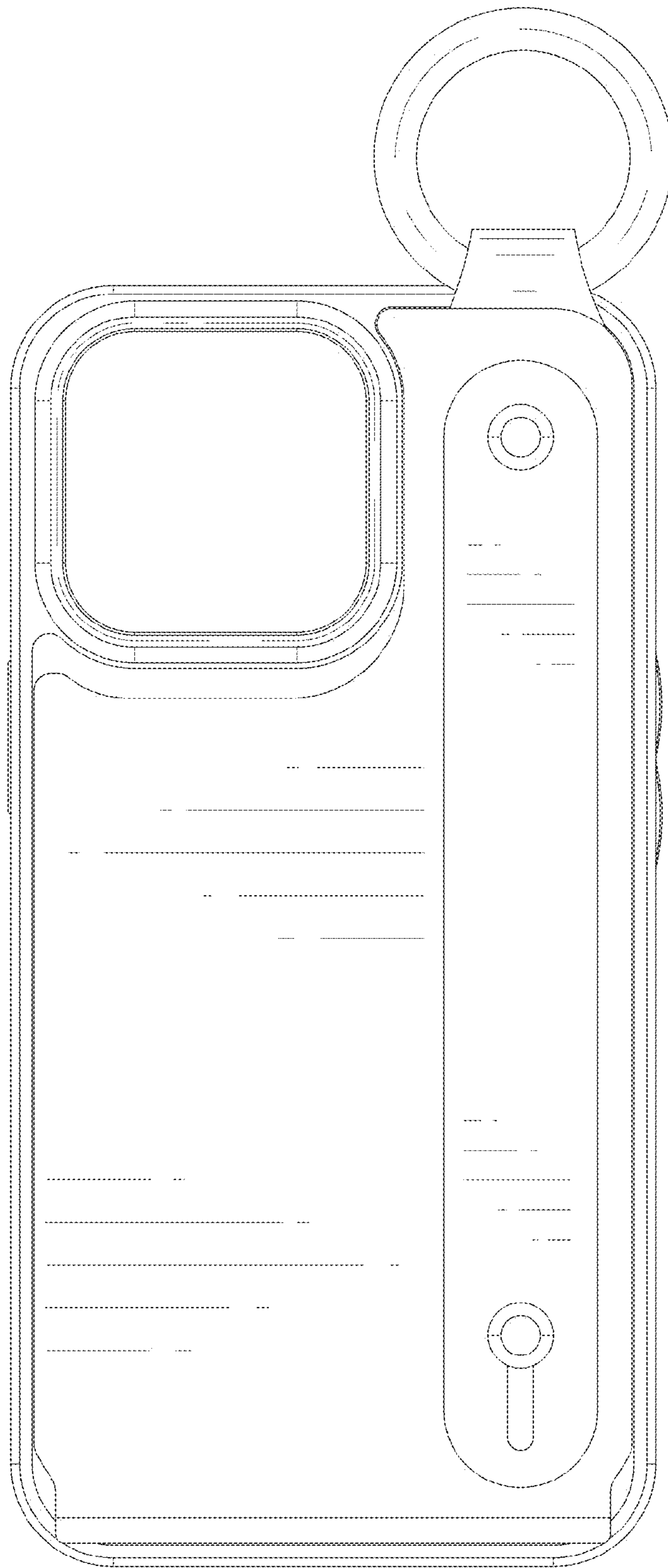


FIG. 4

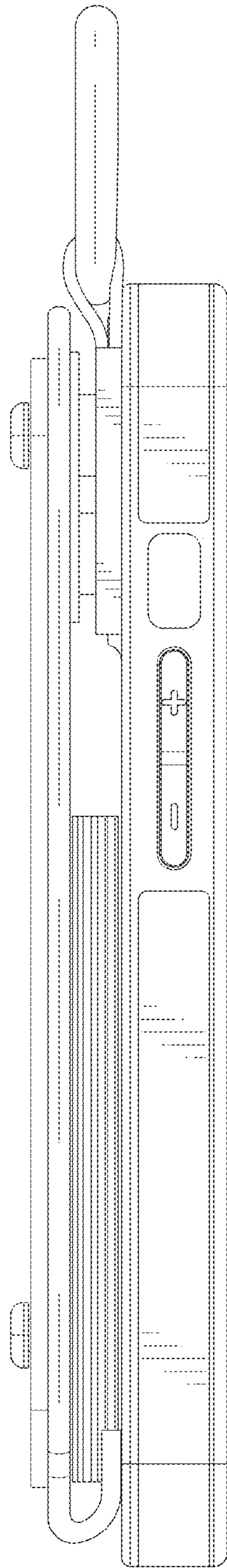


FIG. 5

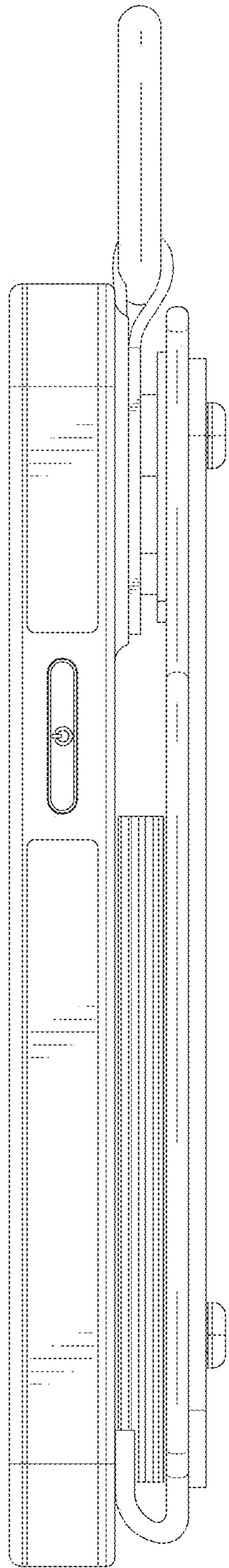


FIG. 6



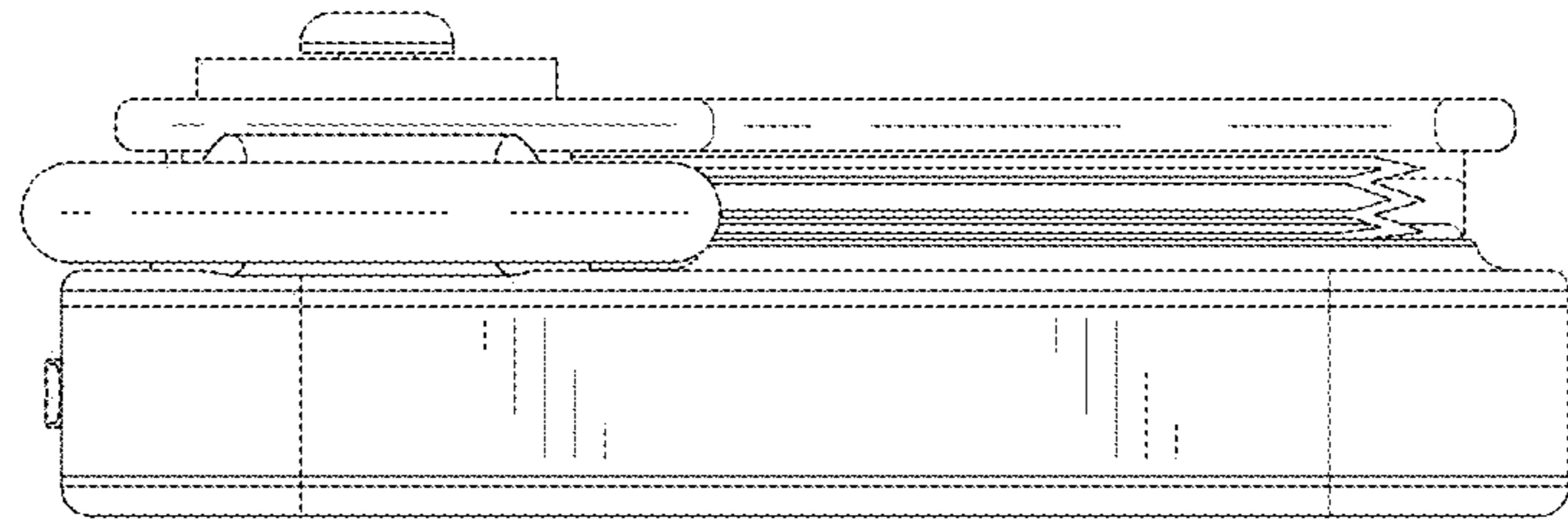


FIG. 7

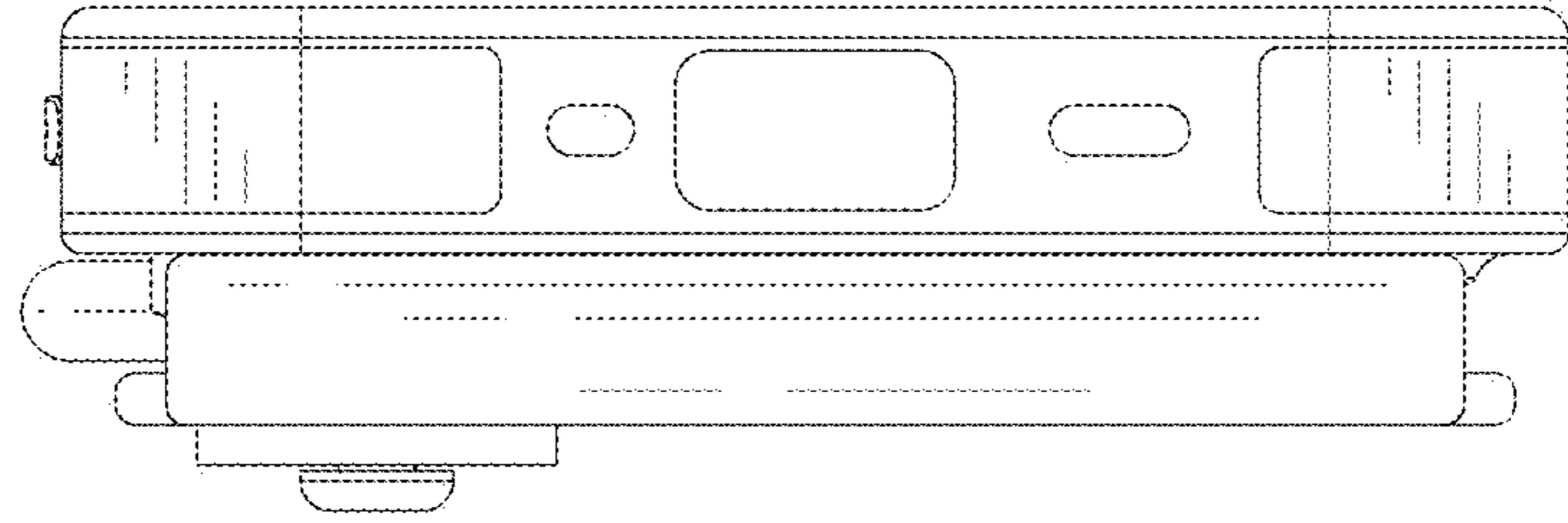


FIG. 8

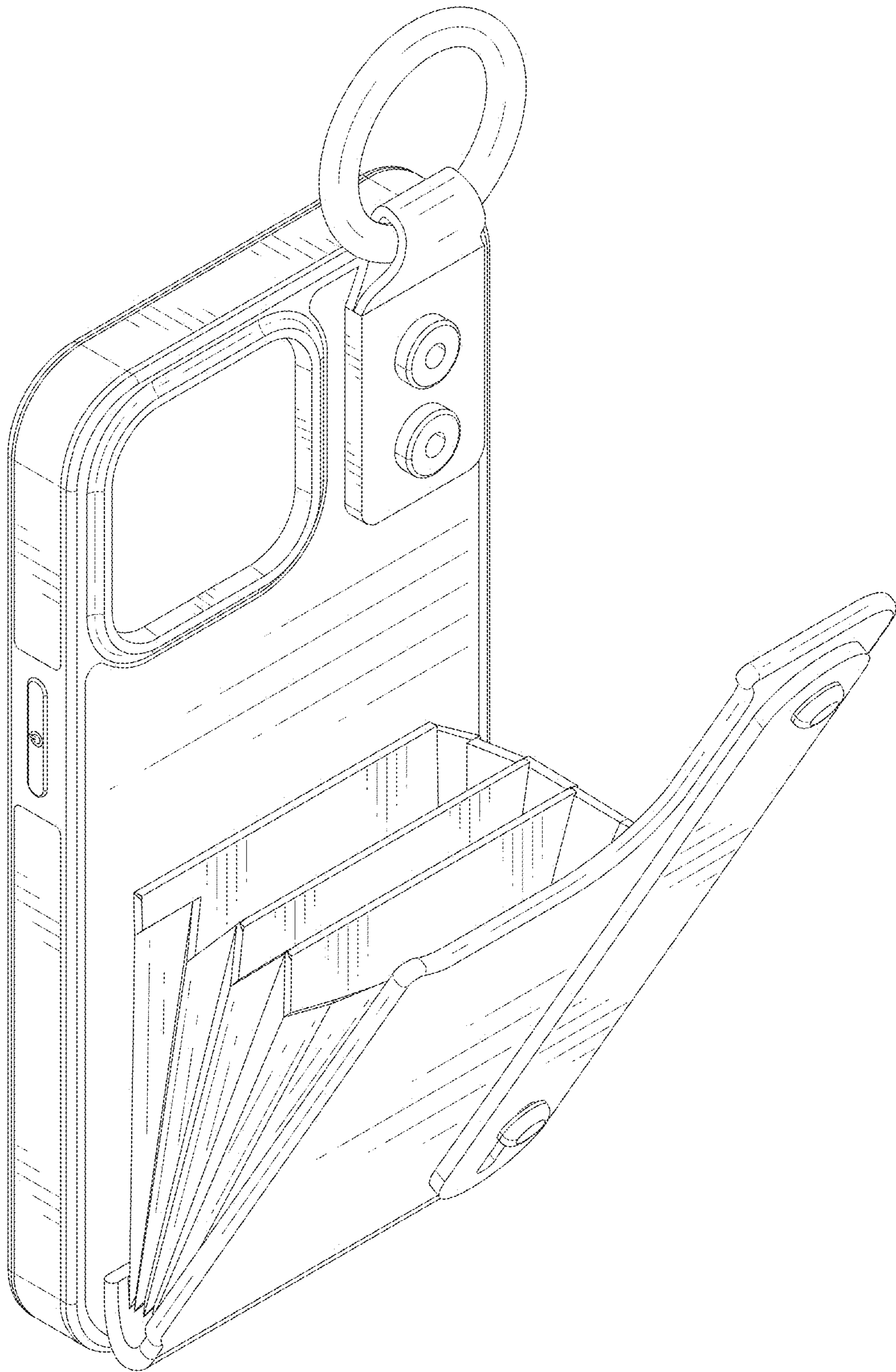


FIG. 9

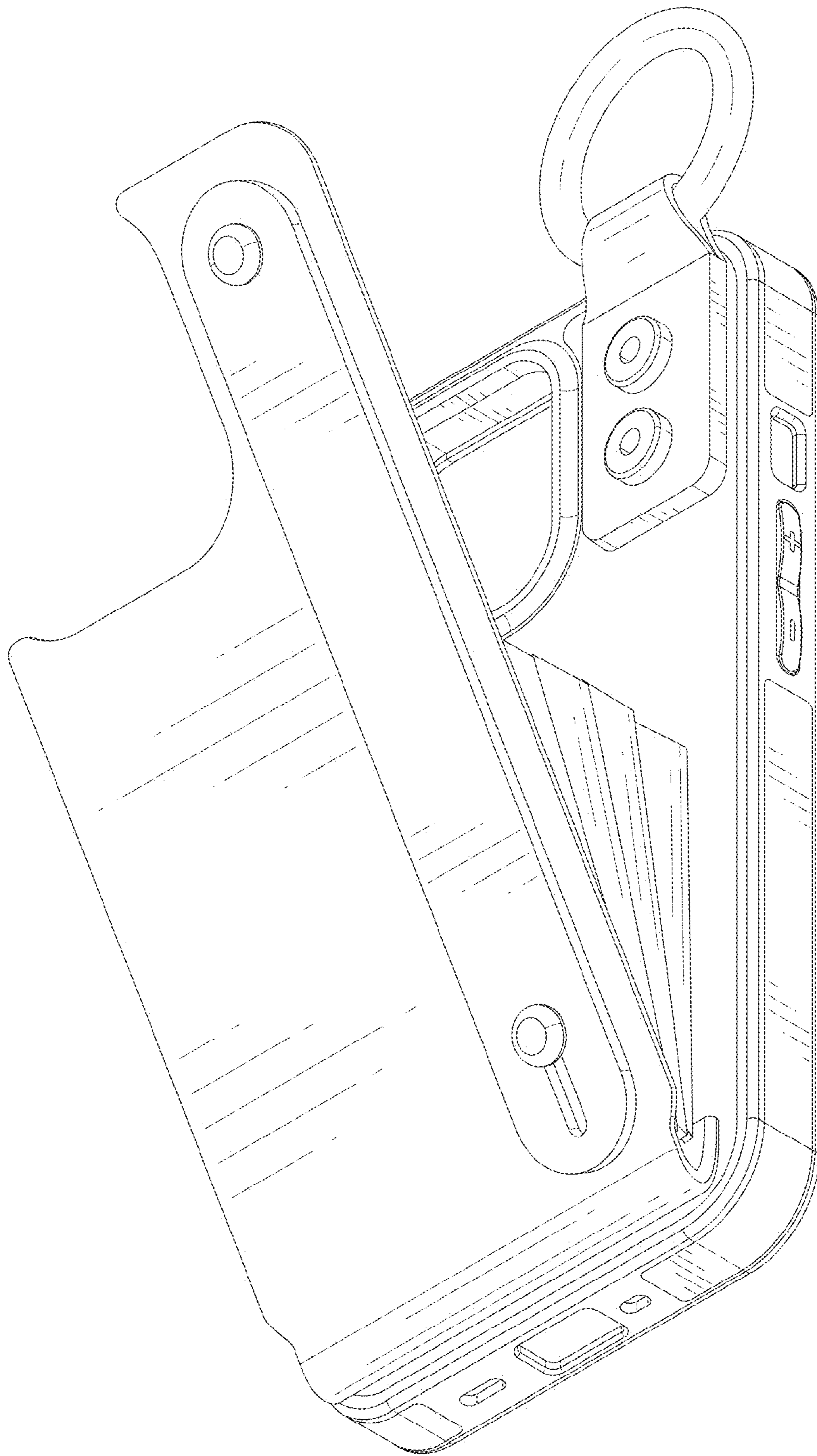


FIG. 10

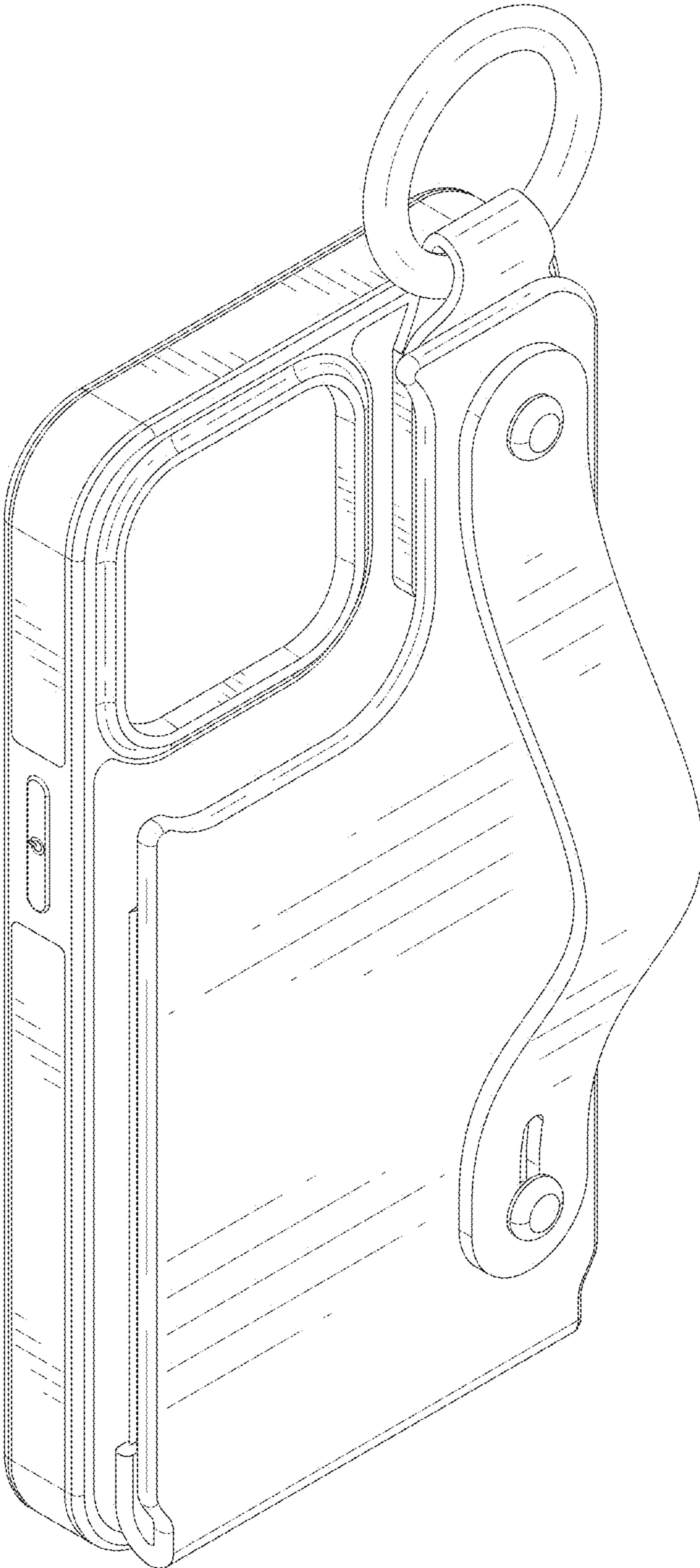


FIG. 11

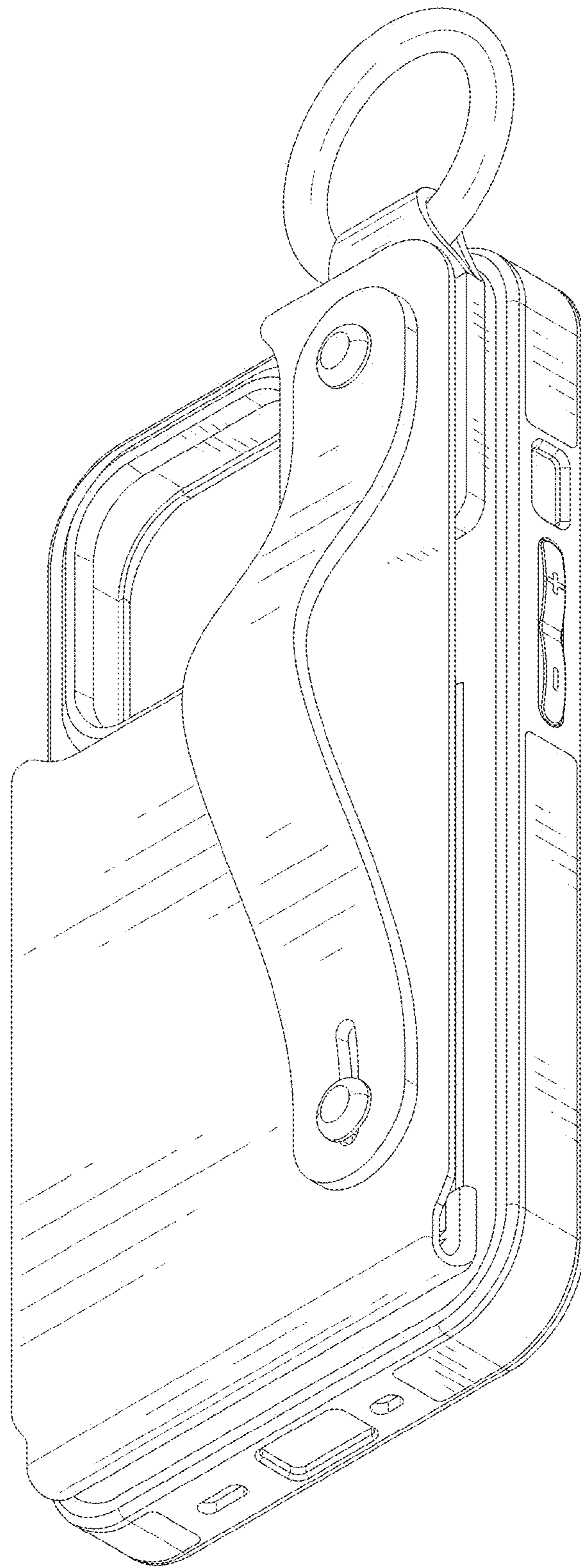


FIG. 12