



US00D989058S

(12) **United States Design Patent** (10) **Patent No.:** **US D989,058 S**  
**Yu et al.** (45) **Date of Patent:** **\*\* Jun. 13, 2023**

(54) **CASE FOR MOBILE PHONE**  
(71) Applicant: **Shenzhen Lanhe Technologies Co., Ltd.**, Shenzhen (CN)  
(72) Inventors: **Peirong Yu**, Guangdong (CN); **Zhengfeng Yang**, Guangdong (CN)  
(73) Assignee: **SHENZHEN LANHE TECHNOLOGIES CO., LTD.**, Shenzhen (CN)

(\*\*) Term: **15 Years**

(21) Appl. No.: **29/816,150**

(22) Filed: **Nov. 19, 2021**

(30) **Foreign Application Priority Data**

May 19, 2021 (CN) ..... 202130301570.5

(51) **LOC (14) Cl.** ..... **14-03**

(52) **U.S. Cl.**  
USPC ..... **D14/250**

(58) **Field of Classification Search**  
USPC ..... D13/107, 108; D14/217, 248, 250–253, D14/426, 432, 434, 440, 447  
CPC ..... H04B 1/3888; H04M 1/0283; H04M 1/0202; A45F 2005/028; A45F 2200/0525  
See application file for complete search history.

(56) **References Cited**

**U.S. PATENT DOCUMENTS**

D620,000 S \* 7/2010 Bau ..... D14/250  
D646,264 S \* 10/2011 Dong ..... D14/250  
D671,933 S \* 12/2012 Rodgers ..... D14/250  
D688,233 S \* 8/2013 Dong ..... D14/250  
D705,769 S \* 5/2014 Esses ..... D14/250  
D712,386 S \* 9/2014 Lu ..... D14/250  
D763,840 S \* 8/2016 Hwang ..... D14/250  
D848,995 S \* 5/2019 Zhu ..... D14/250

D882,559 S \* 4/2020 Truong ..... D14/250  
D889,451 S \* 7/2020 Chiang ..... D14/250  
D891,417 S \* 7/2020 Pasternak ..... D3/249  
D908,685 S \* 1/2021 Bai ..... D14/250  
D916,070 S \* 4/2021 Lin ..... D14/250  
D916,071 S \* 4/2021 Lin ..... D14/250  
D932,477 S \* 10/2021 Zhou ..... D14/250  
D934,850 S \* 11/2021 Weng ..... D14/250  
D936,047 S \* 11/2021 Feng ..... D14/250  
D936,643 S \* 11/2021 Yang ..... D14/250  
D936,659 S \* 11/2021 Li ..... D14/440  
D942,439 S \* 2/2022 Cavenagh ..... D14/250  
RE49,021 E \* 4/2022 Chiang ..... H04B 1/3888  
D14/250  
D948,494 S \* 4/2022 Huang ..... D14/250  
D952,624 S \* 5/2022 Armstrong ..... D14/250

(Continued)

*Primary Examiner* — L. A. Grabenstetter

(74) *Attorney, Agent, or Firm* — Andrew C. Cheng

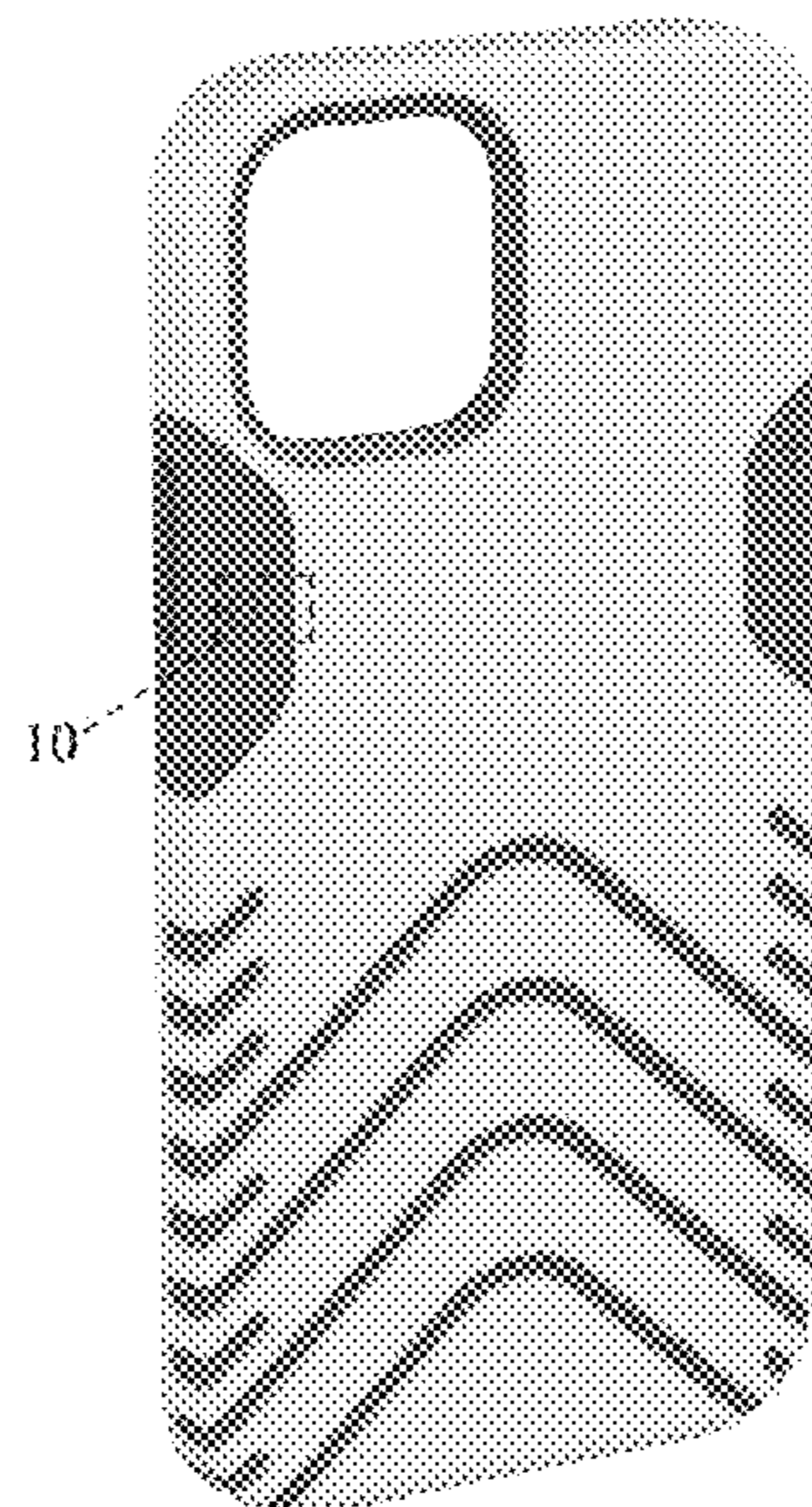
(57) **CLAIM**

We claim the ornamental design for a case for mobile phone, as shown.

**DESCRIPTION**

FIG. 1 is a front view of a case for mobile phone showing our new design;  
FIG. 2 is a rear view thereof;  
FIG. 3 is a left side view thereof;  
FIG. 4 is a right side view thereof;  
FIG. 5 is a top view thereof;  
FIG. 6 is a bottom view thereof;  
FIG. 7 is a front, left and top perspective view thereof;  
FIG. 8 is an enlarged view of a portion 8 of FIG. 3;  
FIG. 9 is an enlarged view of a portion 9 of FIG. 4; and,  
FIG. 10 is an enlarged view of a portion 10 of FIG. 7.  
The broken line rectangles in FIGS. 3, 4, 7, 8, 9, and 10 are included for the purpose of defining the regions included in the partial enlarged views and form no part of the claimed design.

**1 Claim, 10 Drawing Sheets**



(56)

**References Cited**

U.S. PATENT DOCUMENTS

D958,783 S *	7/2022	Chen .....	D14/250
D965,577 S *	10/2022	Xu .....	D14/250
D969,792 S *	11/2022	Wang .....	D14/250
2009/0107661 A1 *	4/2009	Andersson .....	F28F 9/02 165/168

\* cited by examiner



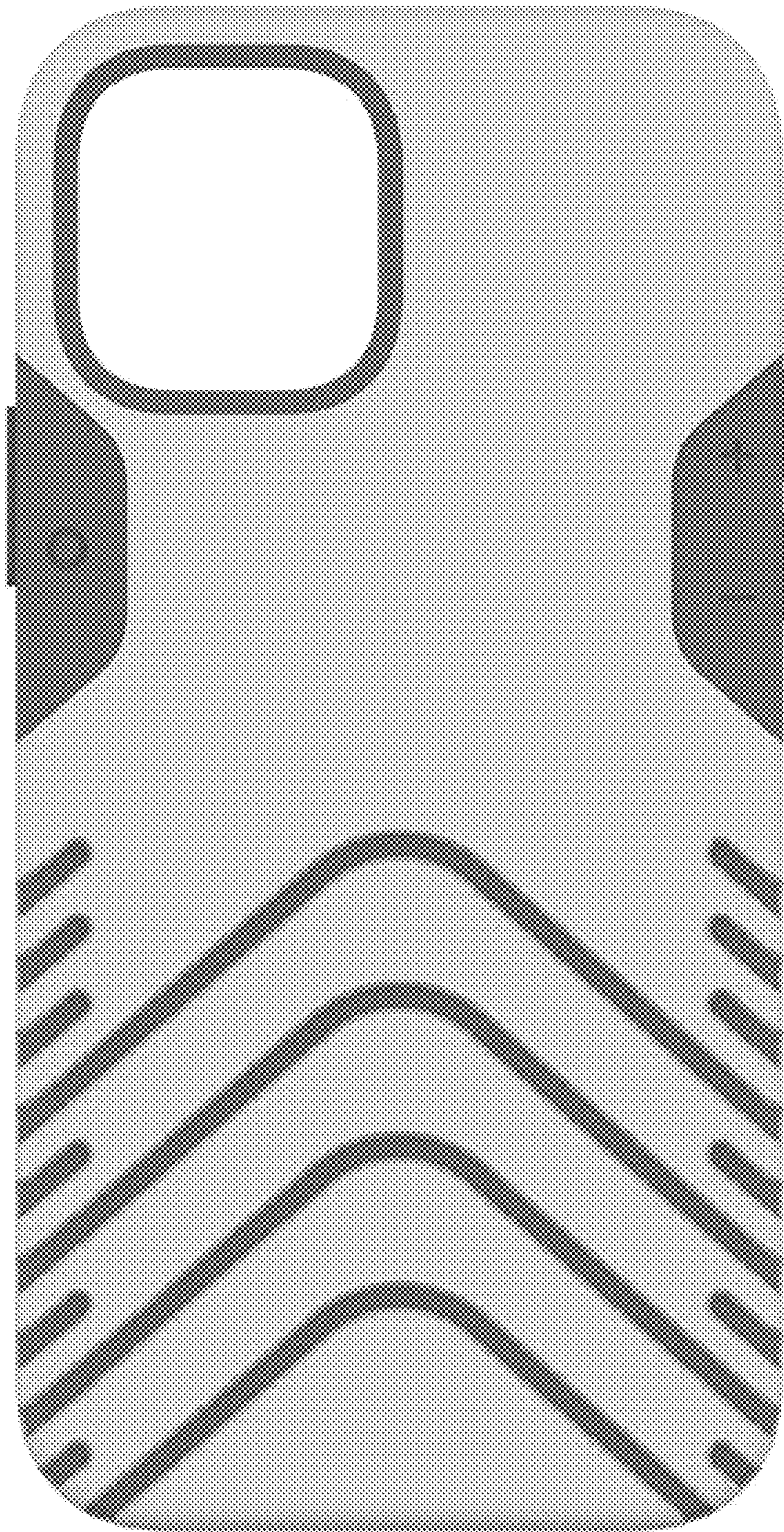


FIG.1





FIG. 2



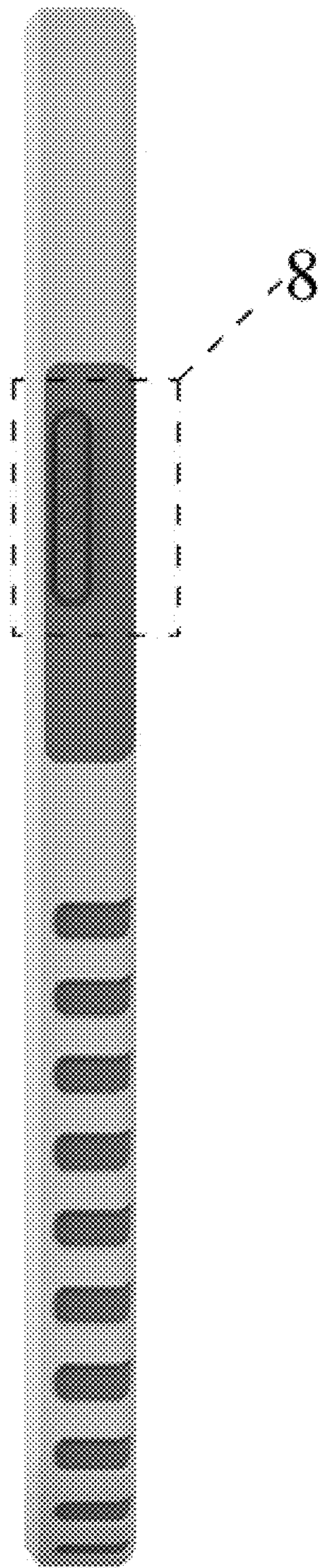


FIG.3

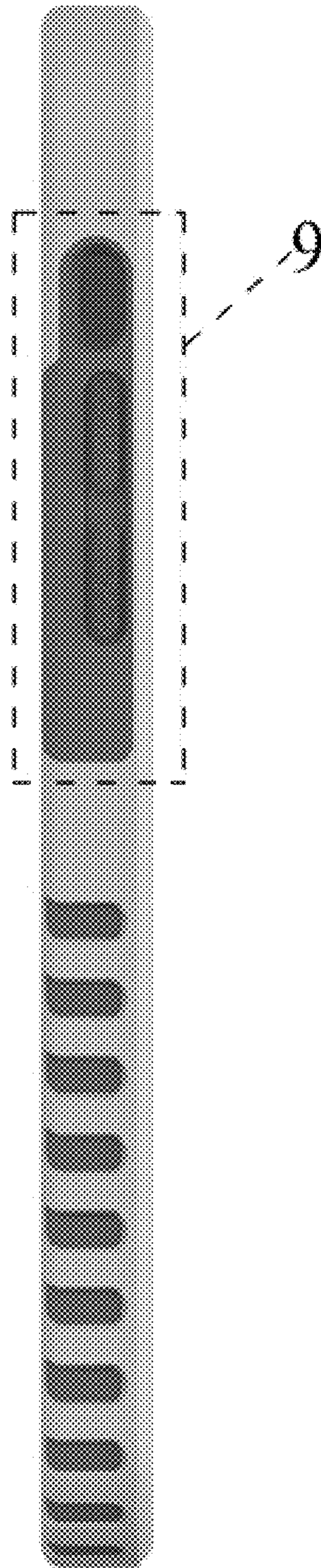


FIG.4

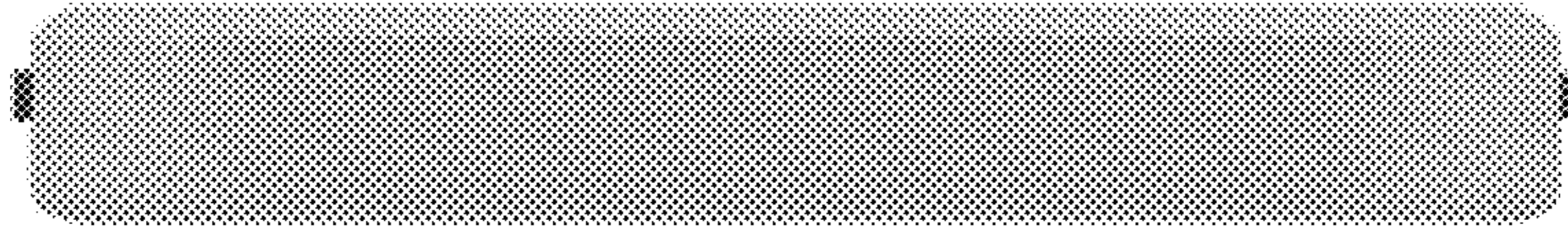


FIG.5

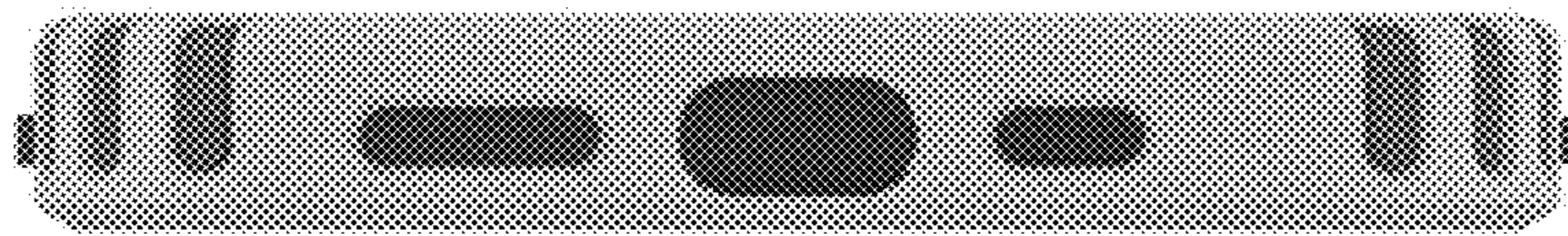


FIG.6



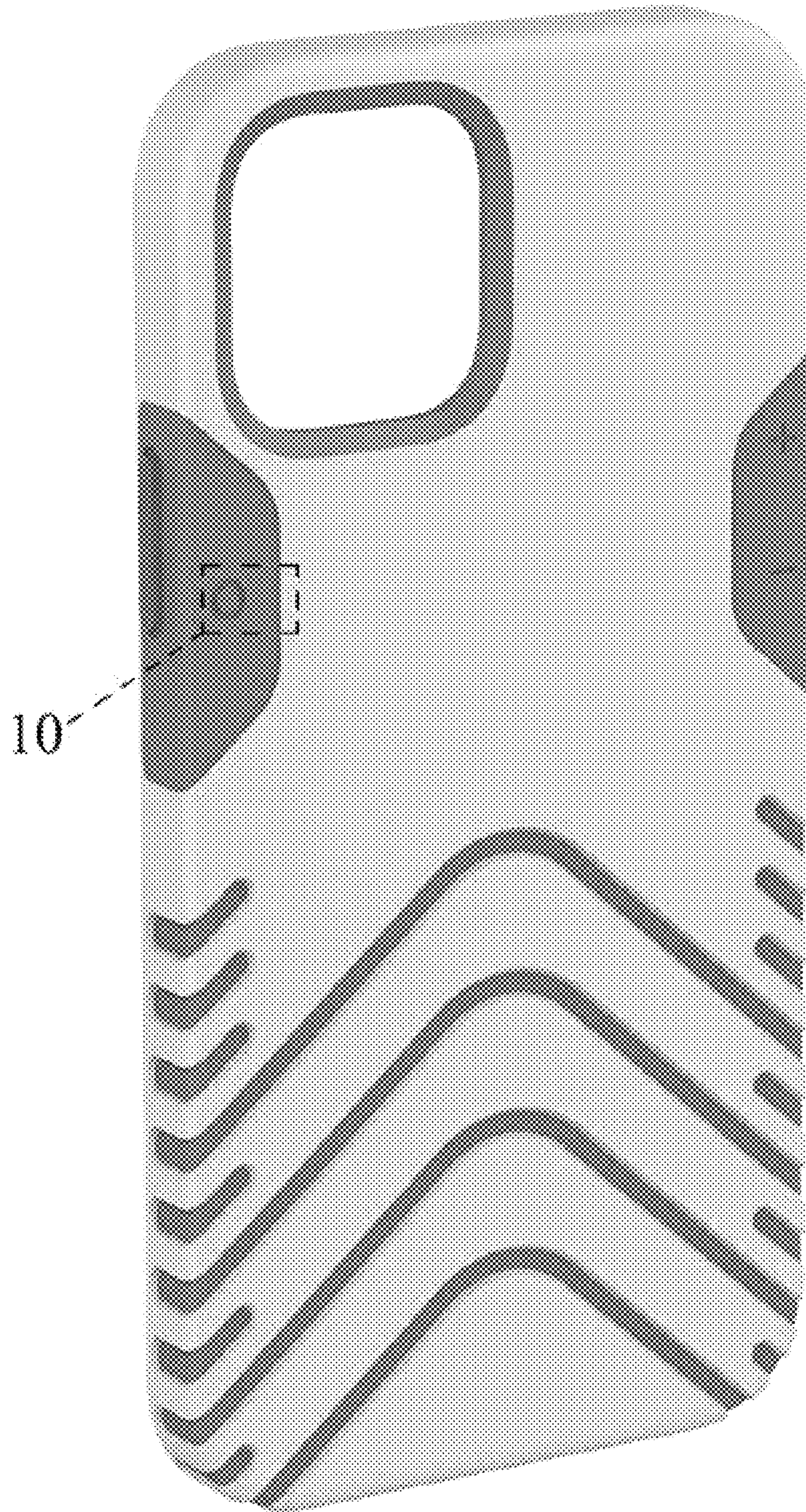


FIG. 7

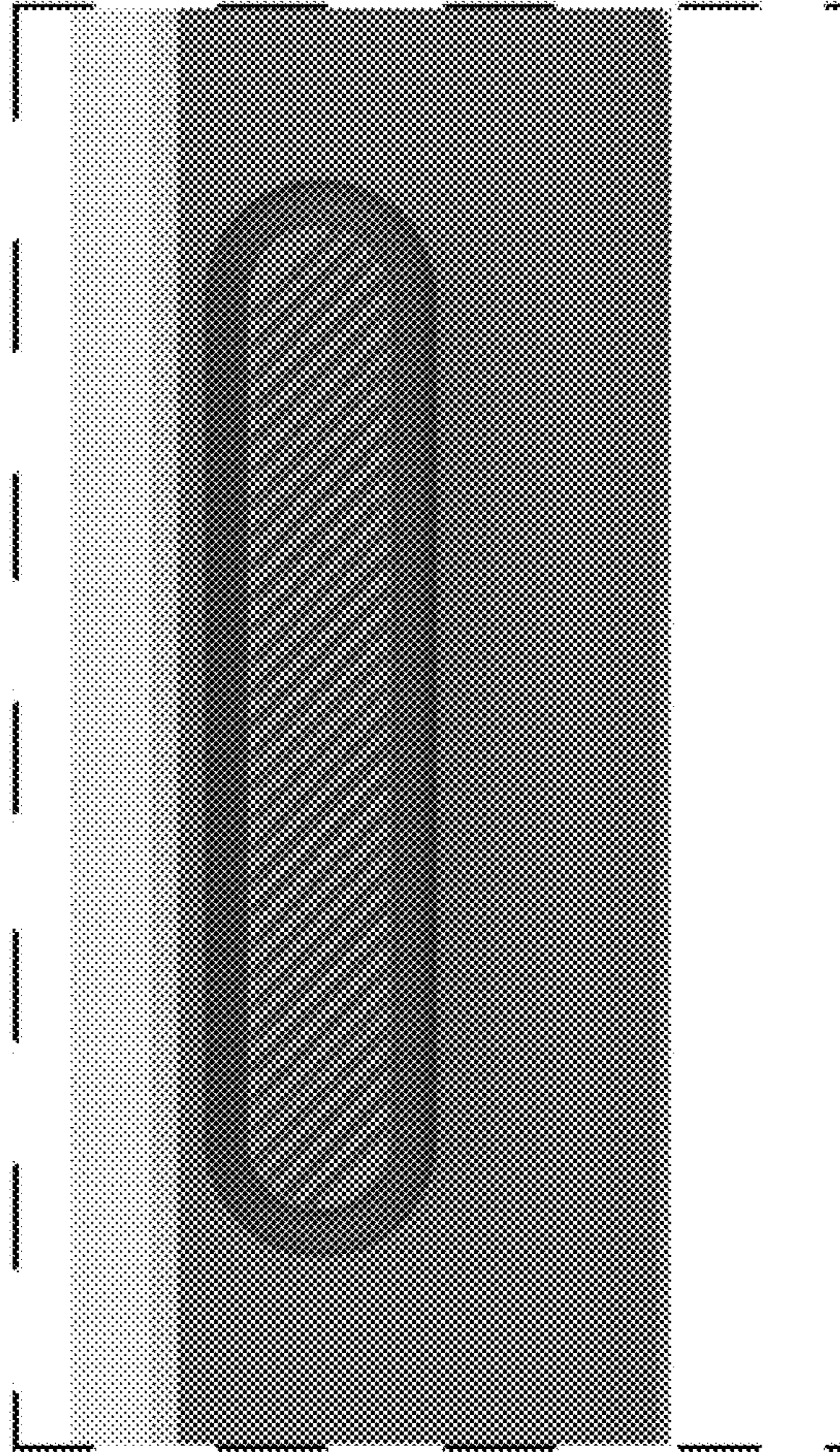


FIG.8



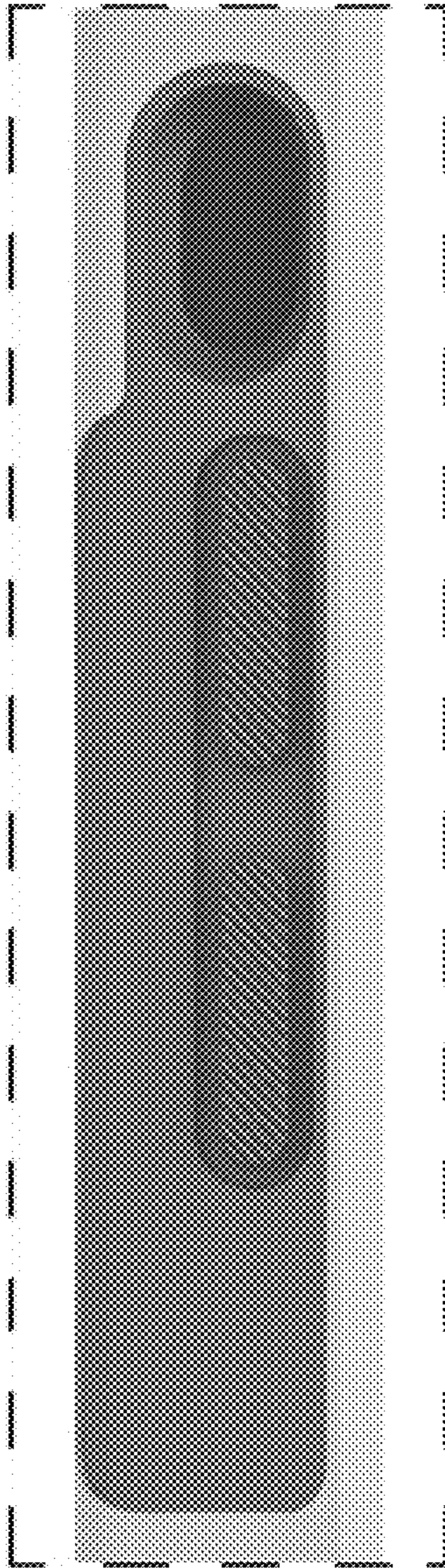


FIG.9

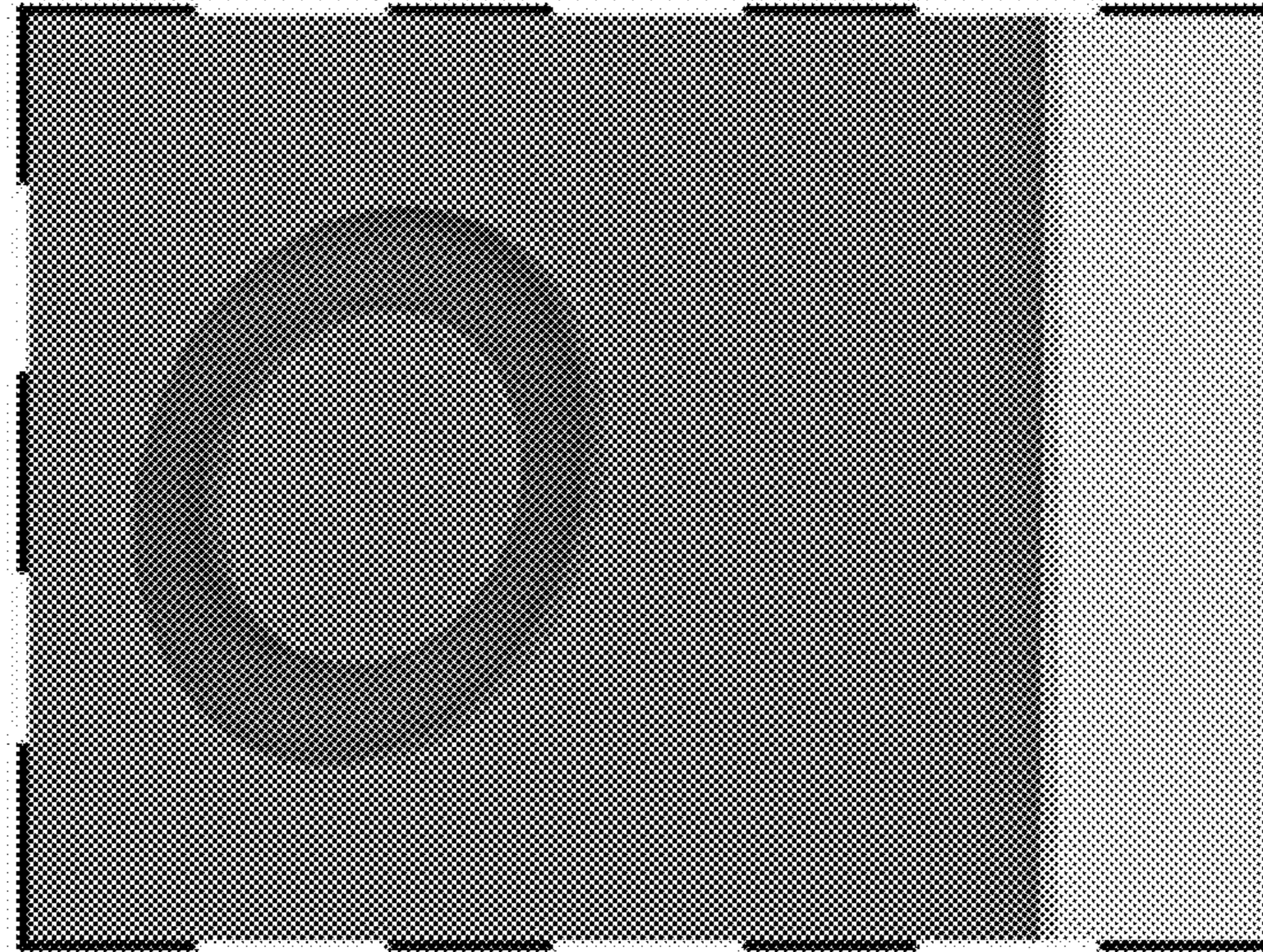


FIG.10