



US00D989053S

(12) **United States Design Patent**  
**Tan**

(10) **Patent No.:** **US D989,053 S**  
(45) **Date of Patent:** **\*\* Jun. 13, 2023**

- (54) **WIRELESS REPEATER**
- (71) Applicant: **Fanghua Tan**, Shenzhen (CN)
- (72) Inventor: **Fanghua Tan**, Shenzhen (CN)
- (\*\*) Term: **15 Years**
- (21) Appl. No.: **29/804,709**
- (22) Filed: **Aug. 23, 2021**
- (51) **LOC (14) Cl.** ..... **14-03**
- (52) **U.S. Cl.**  
USPC ..... **D14/242**
- (58) **Field of Classification Search**  
USPC .... D14/240, 242, 357, 358, 140-140.9, 155,  
D14/125, 137, 139, 243, 348, 349, 351,  
D14/354, 355  
CPC ..... H04L 12/00; H03K 17/00; H04W 88/00;  
H04W 88/005; H04W 88/02; H04W  
88/08; H04W 88/085; H04W 88/10;  
H04W 88/12; H04W 88/14; H04B 1/38  
See application file for complete search history.

(56) **References Cited**

U.S. PATENT DOCUMENTS

D455,419 S *	4/2002	Inoue .....	D14/230
D487,728 S *	3/2004	Murray .....	D13/162
D492,262 S *	6/2004	Murray .....	D13/162
D492,263 S *	6/2004	Murray .....	D13/162
D541,792 S *	5/2007	Liu .....	D14/240
D565,036 S *	3/2008	Ju .....	D14/240
D575,775 S *	8/2008	Sekine .....	D14/242
D587,708 S *	3/2009	Yoshida .....	D14/358
D677,223 S *	3/2013	Cho .....	D13/110
D822,651 S *	7/2018	Gutteridge .....	D14/240

D841,610 S *	2/2019	Novin .....	D14/137
D860,028 S *	9/2019	Gan .....	D10/118
D860,176 S *	9/2019	Siminoff .....	D14/240
D862,437 S *	10/2019	Lee .....	D14/242
D864,161 S *	10/2019	Modestine .....	D14/213
D886,743 S *	6/2020	Weber .....	D13/139.1
D901,471 S *	11/2020	Siminoff .....	D14/240
D905,028 S *	12/2020	Cran .....	D14/240
D914,002 S *	3/2021	Feng .....	D14/242
D928,757 S *	8/2021	Lee .....	D14/240
D956,023 S *	6/2022	Deng .....	D14/225
D956,024 S *	6/2022	Deng .....	D14/225
D959,413 S *	8/2022	Deng .....	D14/225

\* cited by examiner

*Primary Examiner* — Bridget L Eland

(57) **CLAIM**

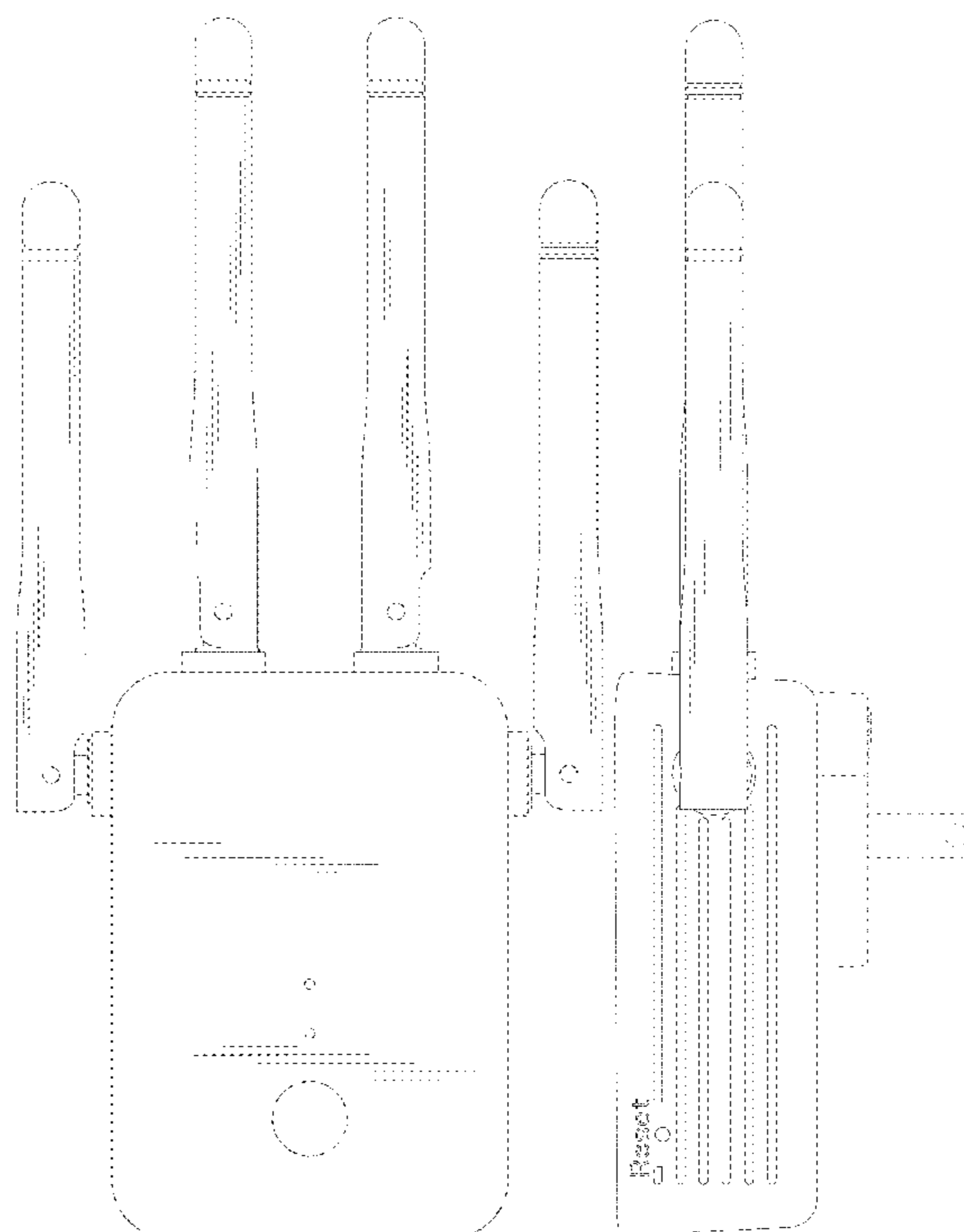
The ornamental design for a wireless repeater, substantially as shown and described.

**DESCRIPTION**

FIG. 1 is a top, front and right side perspective view of a wireless repeater, showing my new design;  
 FIG. 2 is a front elevational view thereof;  
 FIG. 3 is a rear elevational view thereof;  
 FIG. 4 is a left side elevational view thereof;  
 FIG. 5 is a right side elevational view thereof;  
 FIG. 6 is an enlarged top plan view of thereof, provided for clarity of illustration; and,  
 FIG. 7 is an enlarged bottom plan view, provided for clarity of illustration.

The broken lines in the drawings illustrate the portions of the wireless repeater, which form no part of the claimed design.

**1 Claim, 7 Drawing Sheets**



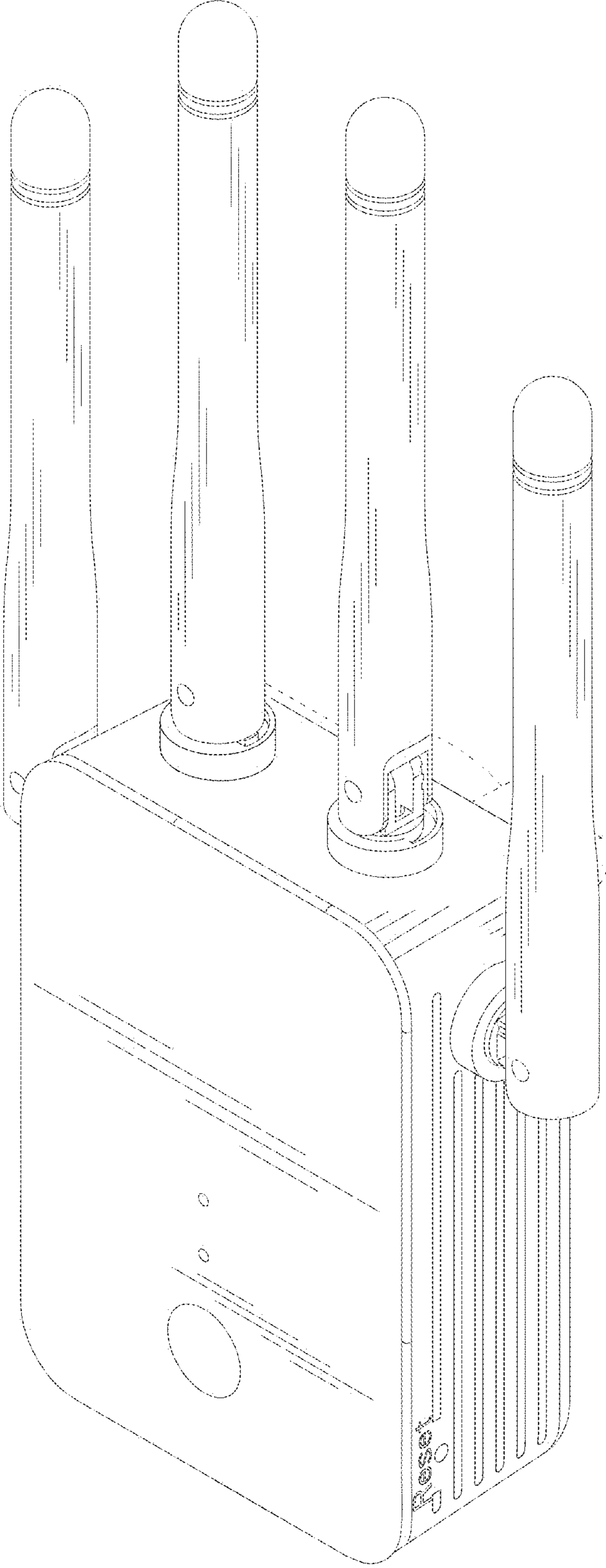


FIG. 1

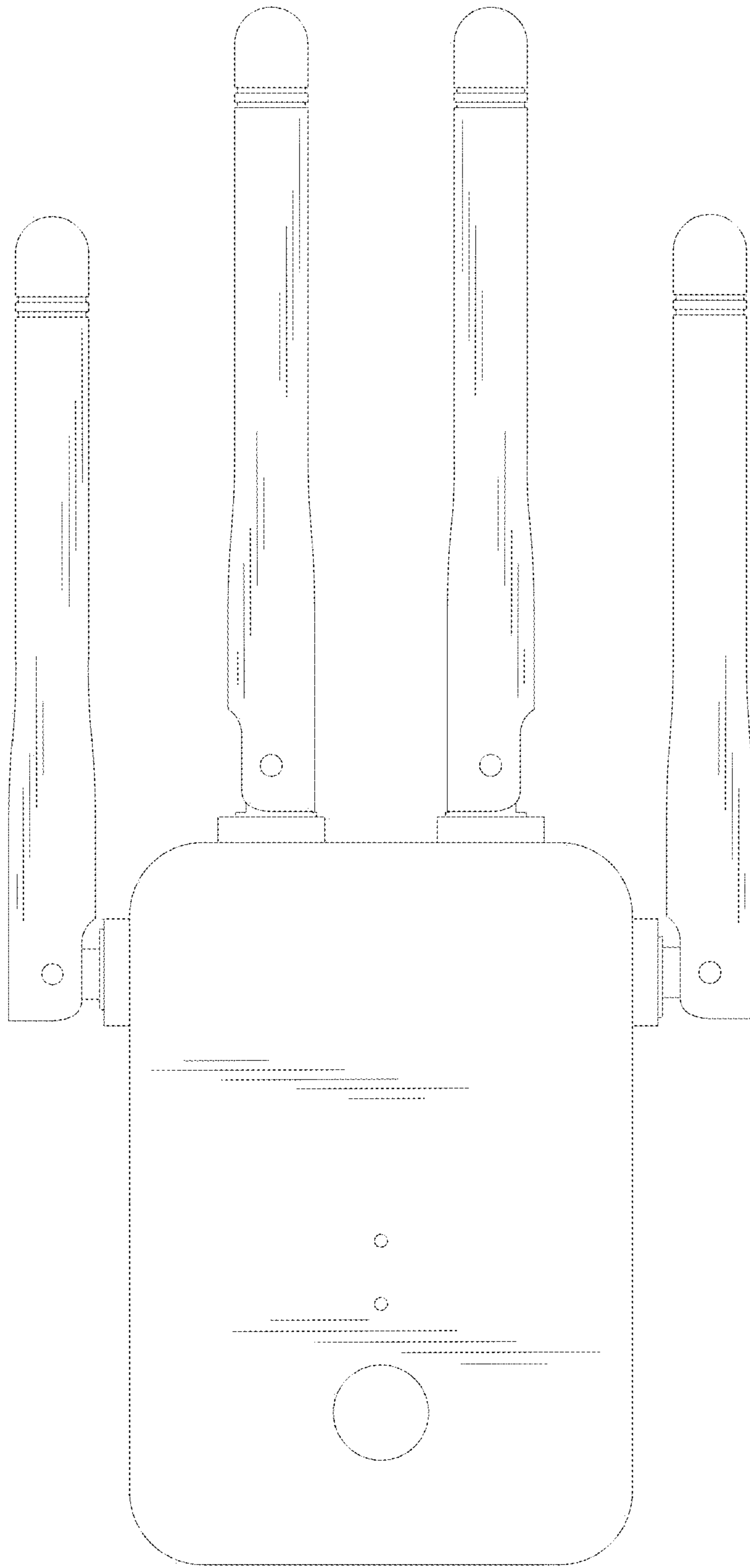


FIG. 2

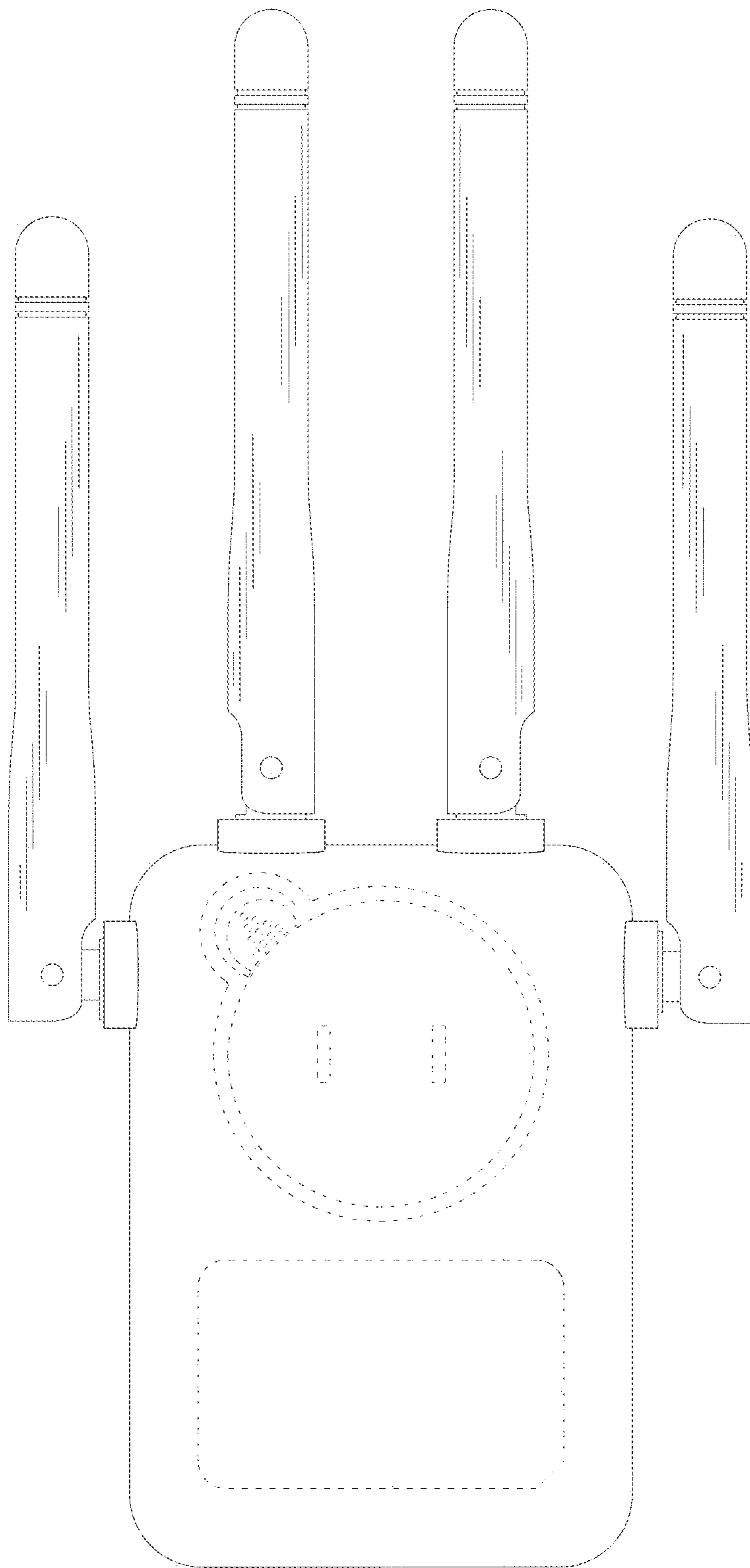


FIG. 3

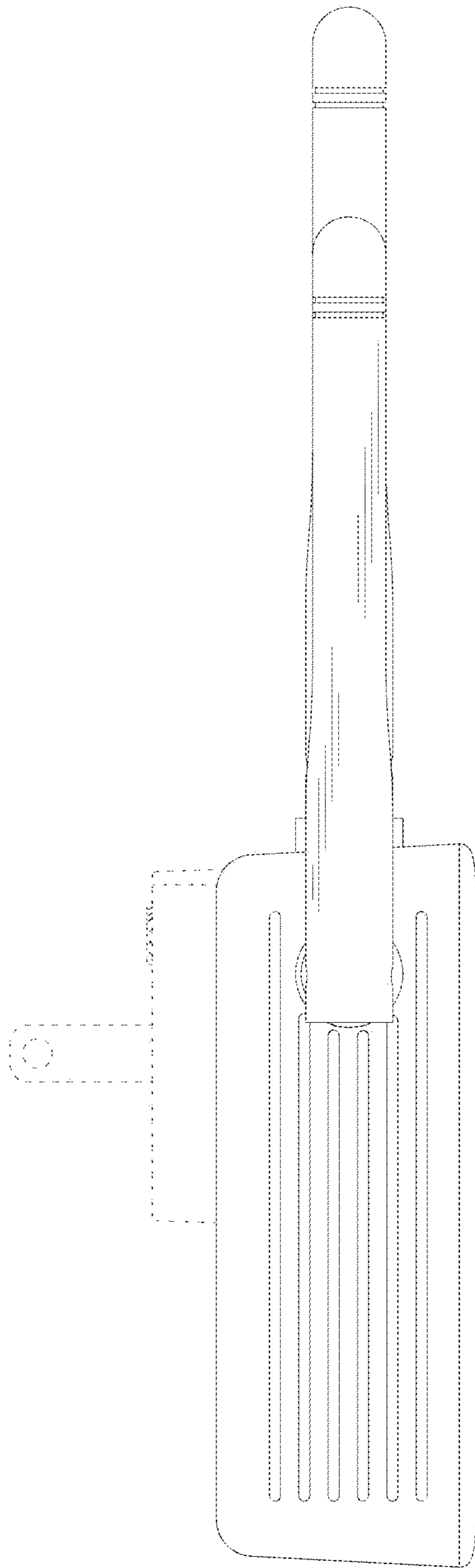


FIG. 4

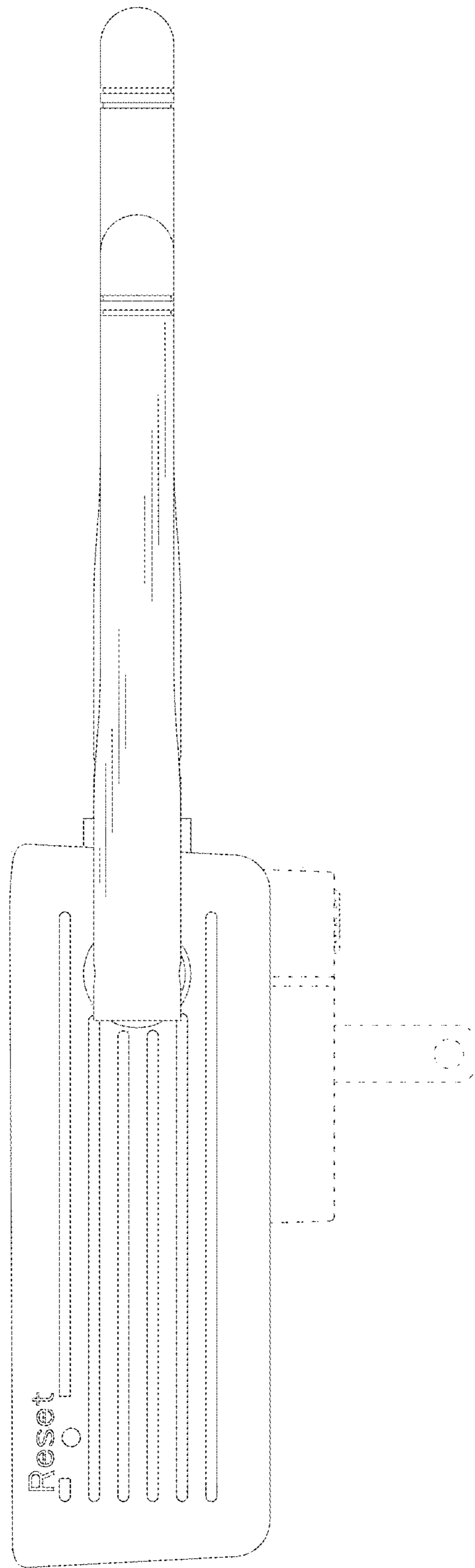


FIG. 5

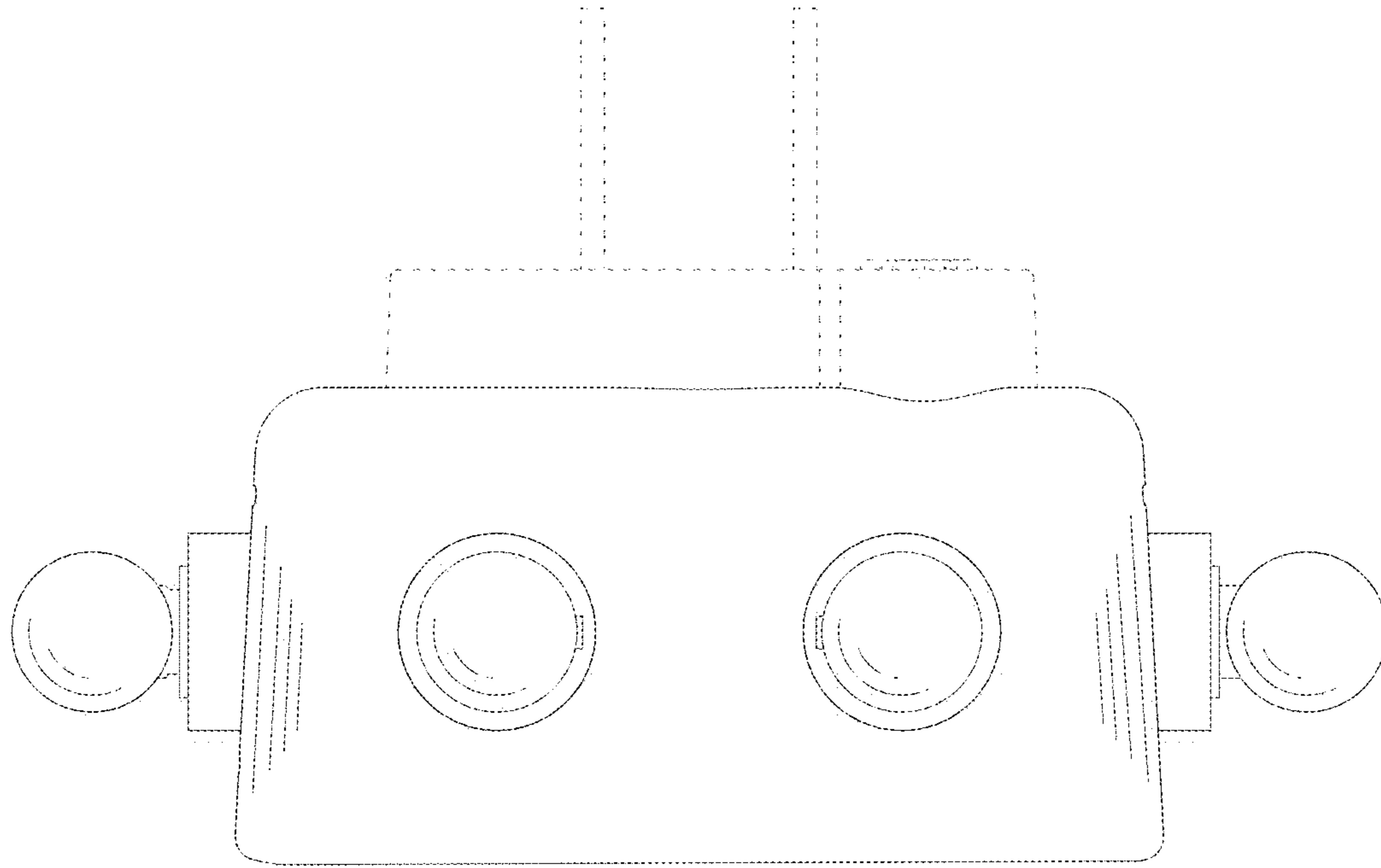


FIG. 6

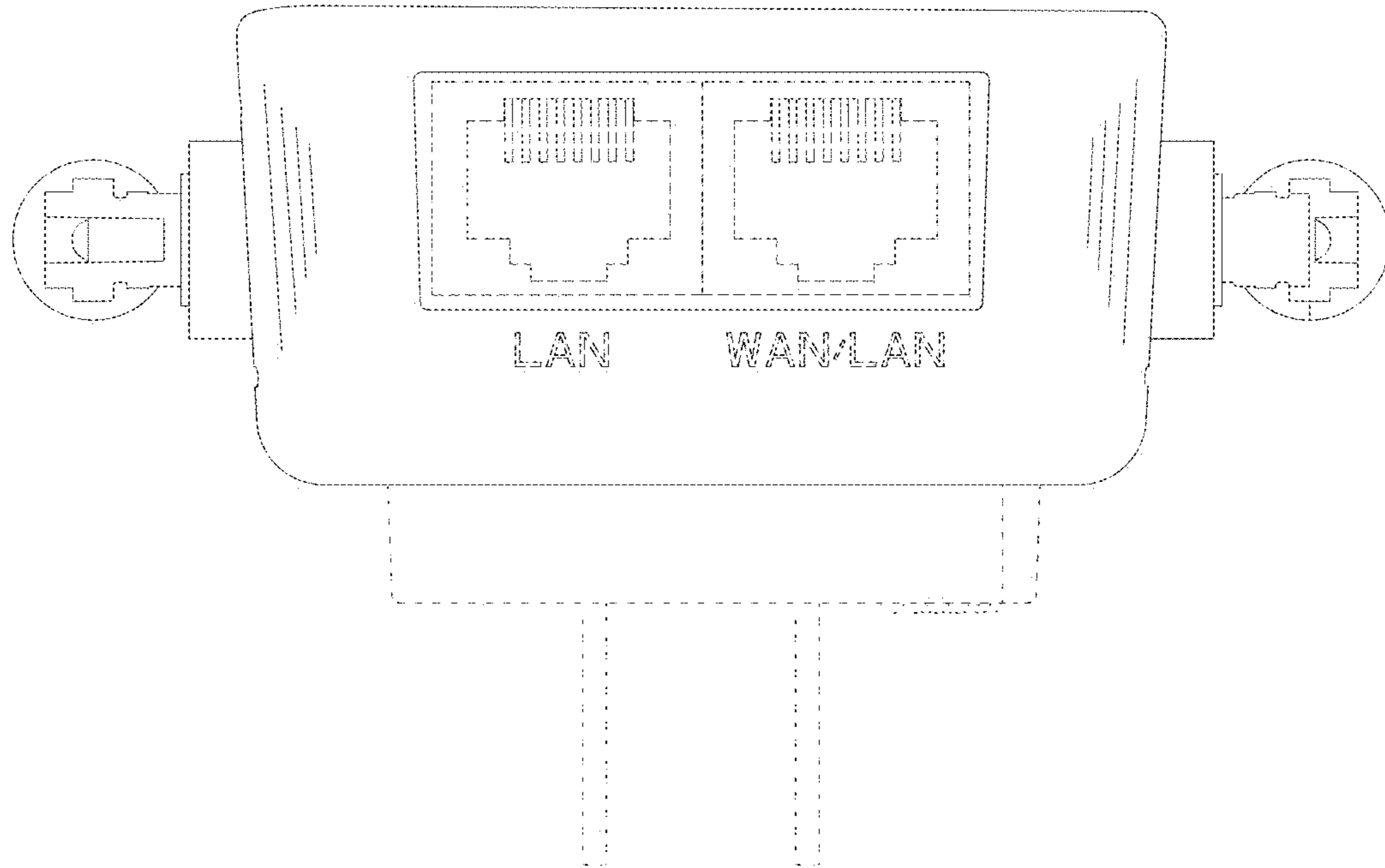


FIG. 7