



US00D989052S

(12) **United States Design Patent** (10) **Patent No.:** **US D989,052 S**
Cao (45) **Date of Patent:** **** Jun. 13, 2023**

(54) **SMART GATEWAY**
(71) Applicant: **Siemens Industry, Inc.**, Alpharetta, GA (US)

D353,598 S * 12/1994 Brandt D14/242
D357,684 S * 4/1995 Moreland D14/240
D365,529 S * 12/1995 Peroni D13/184
(Continued)

(72) Inventor: **Rong Cao**, Shanghai (CN)
(73) Assignee: **SIEMENS INDUSTRY, INC.**, Alpharetta, GA (US)

FOREIGN PATENT DOCUMENTS

CN 304665027 * 6/2018
CN 305321583 * 8/2019
CN 306503097 * 4/2021

(**) Term: **15 Years**
(21) Appl. No.: **29/767,877**
(22) Filed: **Jan. 26, 2021**

Primary Examiner — Marie D. Fast Horse

(57) **CLAIM**
We claim the ornamental design for a smart gateway, as shown and described.

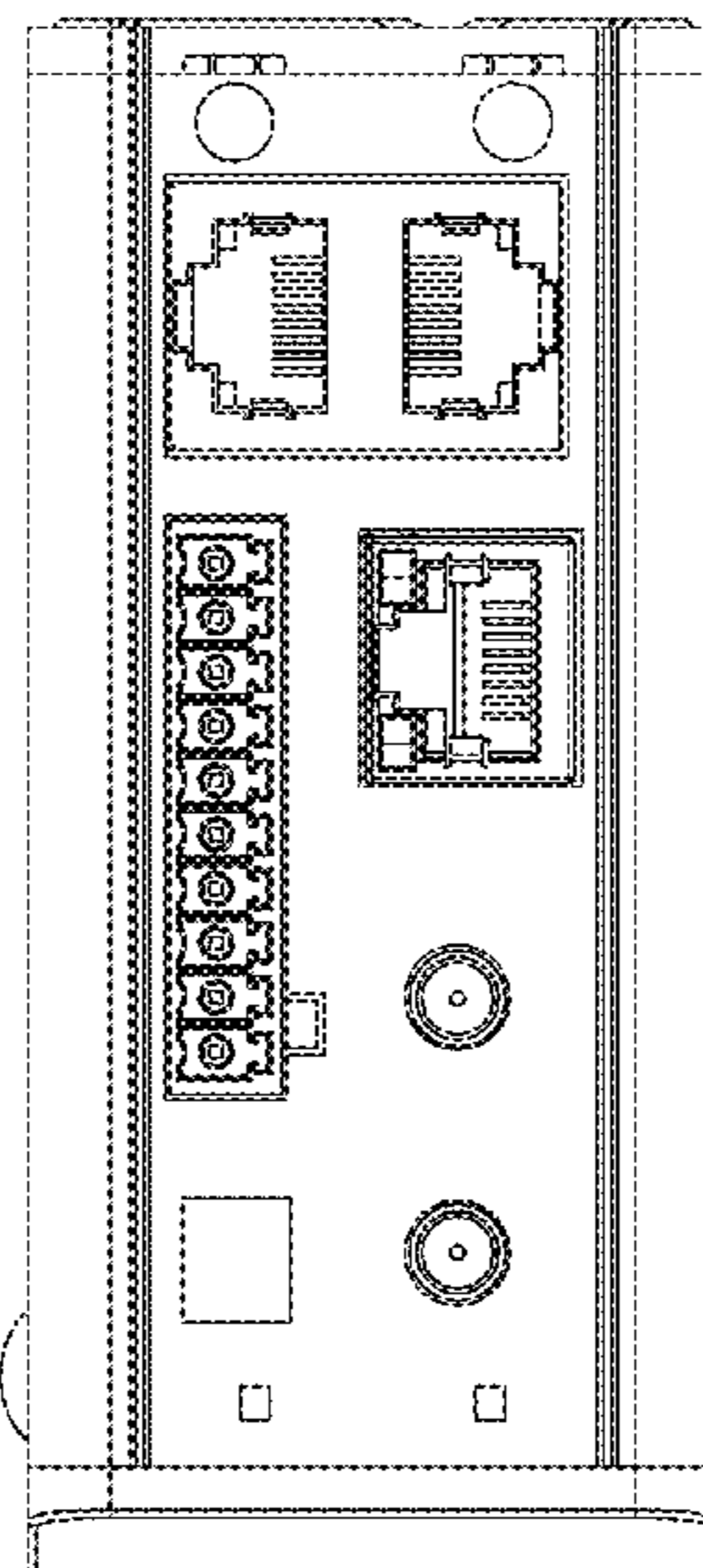
(30) **Foreign Application Priority Data**
Aug. 24, 2020 (CN) 202030488490.0
(51) **LOC (14) Cl.** **14-03**
(52) **U.S. Cl.**
USPC **D14/242; D13/162.1**
(58) **Field of Classification Search**
USPC D14/356, 357, 358, 367, 240, 242, 299, D14/140, 140.1, 140.6, 155, 168, 188, D14/195, 348, 351, 388, 433, 496, 142, D14/230; D13/146, 147, 123, 152, 158, D13/162, 162.1, 163, 168, 184, 199; D10/104.1, 106.1, 106.6, 116.1, 61, 64, D10/75, 106.9
CPC H04L 12/00; H04L 12/2834; H04L 43/02; H04L 2012/5618; H04L 12/66; H04L 65/102; H04M 1/00; H04W 88/16
See application file for complete search history.

DESCRIPTION

FIG. 1 is a right side view of a smart gateway embodying the invention;
FIG. 2 is a left side view thereof;
FIG. 3 is a top view thereof;
FIG. 4 is a bottom view thereof;
FIG. 5 is a back view thereof;
FIG. 6 is a front view thereof;
FIG. 7 is a perspective view thereof;
FIG. 8 is a right side view of another smart gateway embodying the invention;
FIG. 9 is a left side view thereof;
FIG. 10 is a top view thereof;
FIG. 11 is a bottom view thereof;
FIG. 12 is a back view thereof;
FIG. 13 is a front view thereof;
FIG. 14 is a perspective view thereof;
FIG. 15 is a right side view of another smart gateway embodying the invention;
FIG. 16 is a left side view thereof;
FIG. 17 is a top view thereof;
FIG. 18 is a bottom view thereof;
FIG. 19 is a back view thereof;
FIG. 20 is a front view thereof; and,
FIG. 21 is a perspective view thereof.

(56) **References Cited**
U.S. PATENT DOCUMENTS
D265,402 S * 7/1982 Fukushima D14/138 R
D269,345 S * 6/1983 Payne, Jr D14/242
D271,202 S * 11/1983 Endt D14/368
D311,740 S * 10/1990 Wagner D14/358

1 Claim, 21 Drawing Sheets



(56)

References Cited

U.S. PATENT DOCUMENTS

D400,180	S	*	10/1998	Shimizu	D13/162.1
D408,812	S	*	4/1999	Danis	D14/137
D464,339	S	*	10/2002	Tomino	D14/240
D471,541	S	*	3/2003	Tomino	D14/240
D505,657	S	*	5/2005	Suckle	D13/110
D539,735	S	*	4/2007	Suckle	D13/110
D695,686	S	*	12/2013	Fukano	D13/146
D695,687	S	*	12/2013	Fukano	D13/146
D702,647	S	*	4/2014	Liu	D13/162.1
D705,171	S	*	5/2014	Fukano	D13/146
D735,145	S	*	7/2015	Liu	D13/162.1
D800,723	S	*	10/2017	Fong	D14/358
D836,619	S	*	12/2018	Yokoyama	D14/242
D865,731	S	*	11/2019	Sun	D14/240
D873,269	S	*	1/2020	Hu	D14/358
D902,191	S	*	11/2020	Zou	D14/240
D916,701	S	*	4/2021	Shin	D13/162.1
D920,963	S	*	6/2021	Zhao	D14/242
D922,365	S	*	6/2021	Liu	D13/162.1
D922,990	S	*	6/2021	Horie	D14/242
D952,580	S	*	5/2022	Andersson	D13/162.1
D952,621	S	*	5/2022	Sekita	D14/242
D962,915	S	*	9/2022	Wu	D14/242
D963,631	S	*	9/2022	Wu	D14/242
D972,567	S	*	12/2022	Schultheiss	D14/433

* cited by examiner

FIG. 1

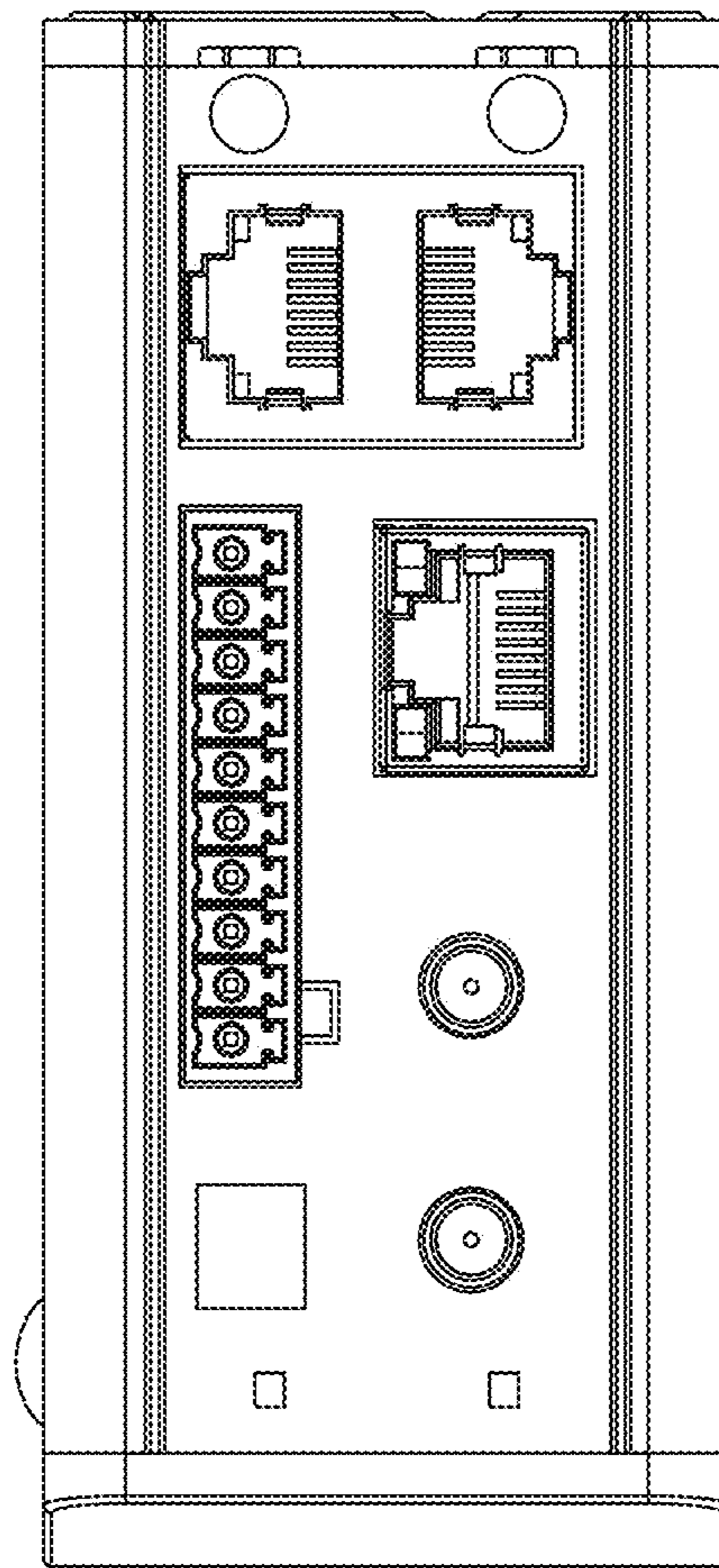


FIG. 2

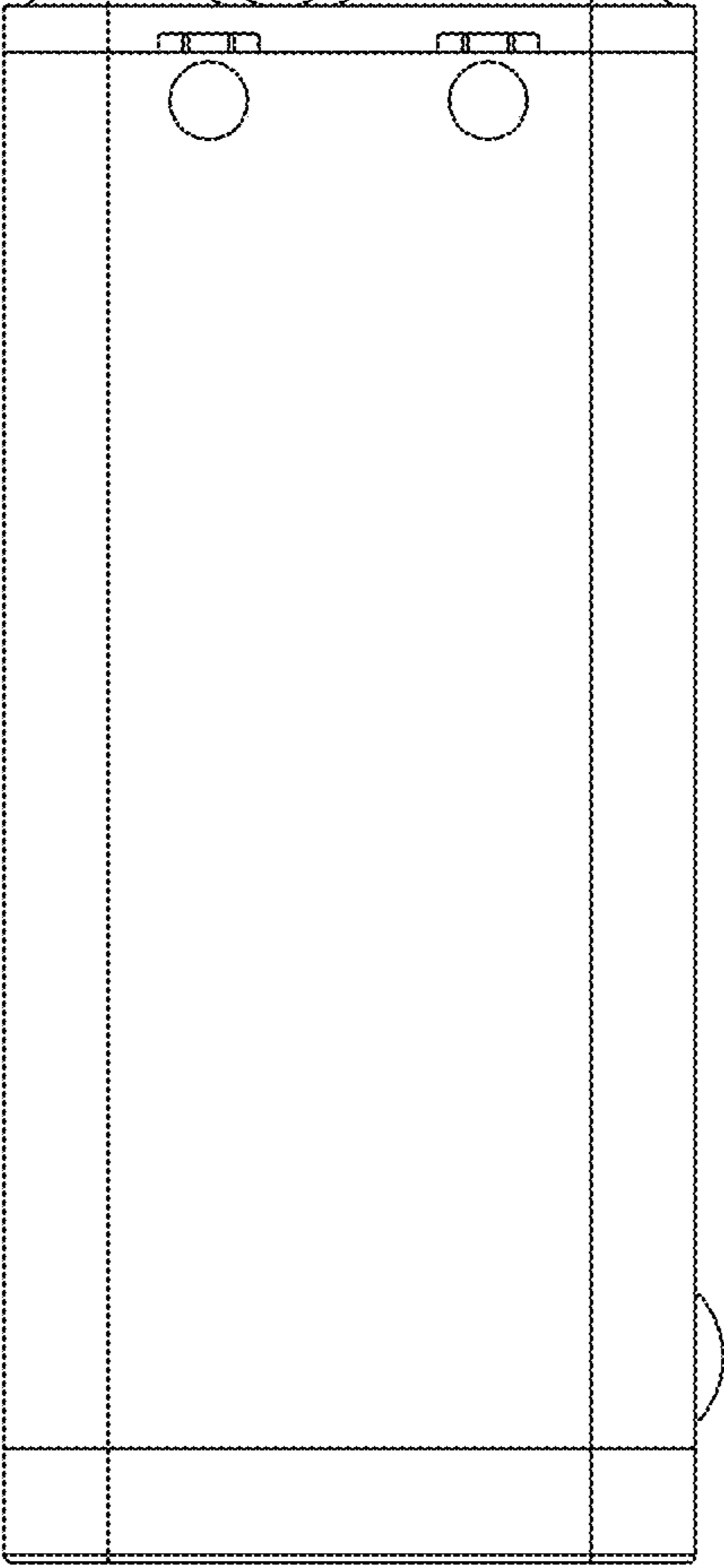


FIG. 3

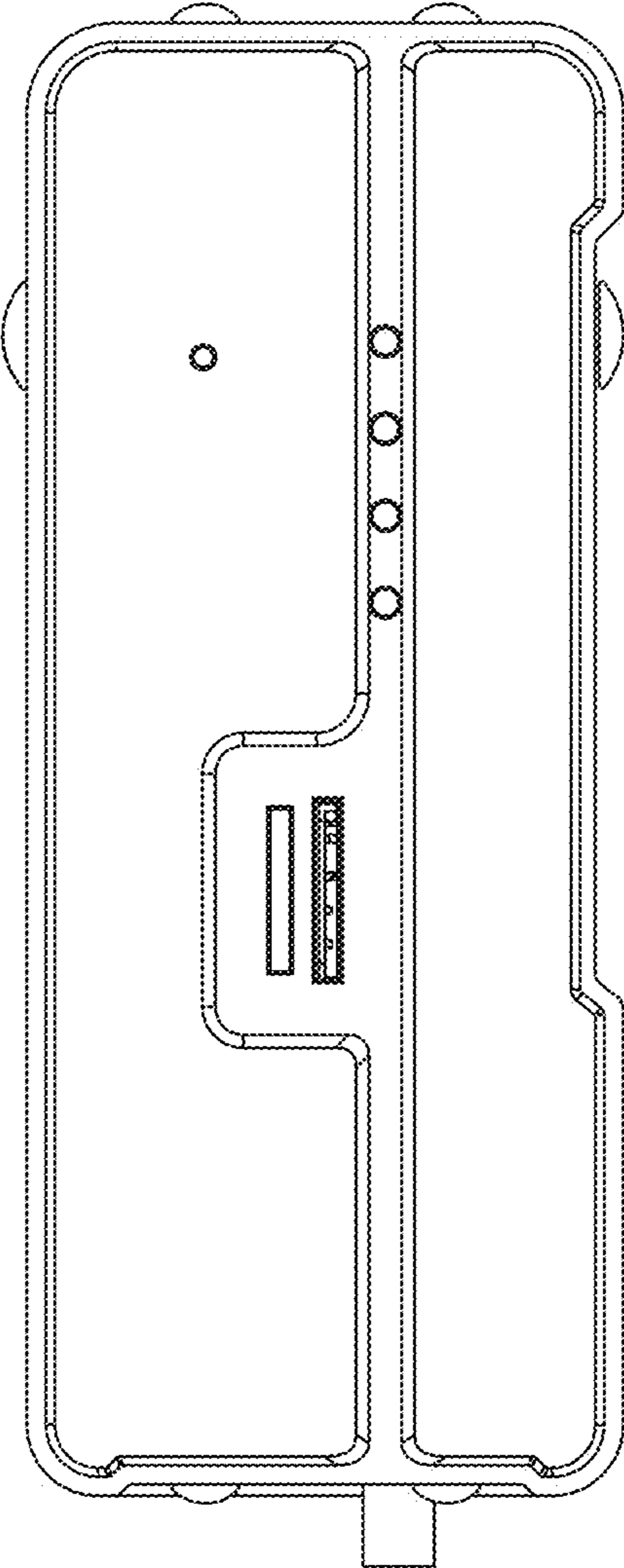


FIG. 4

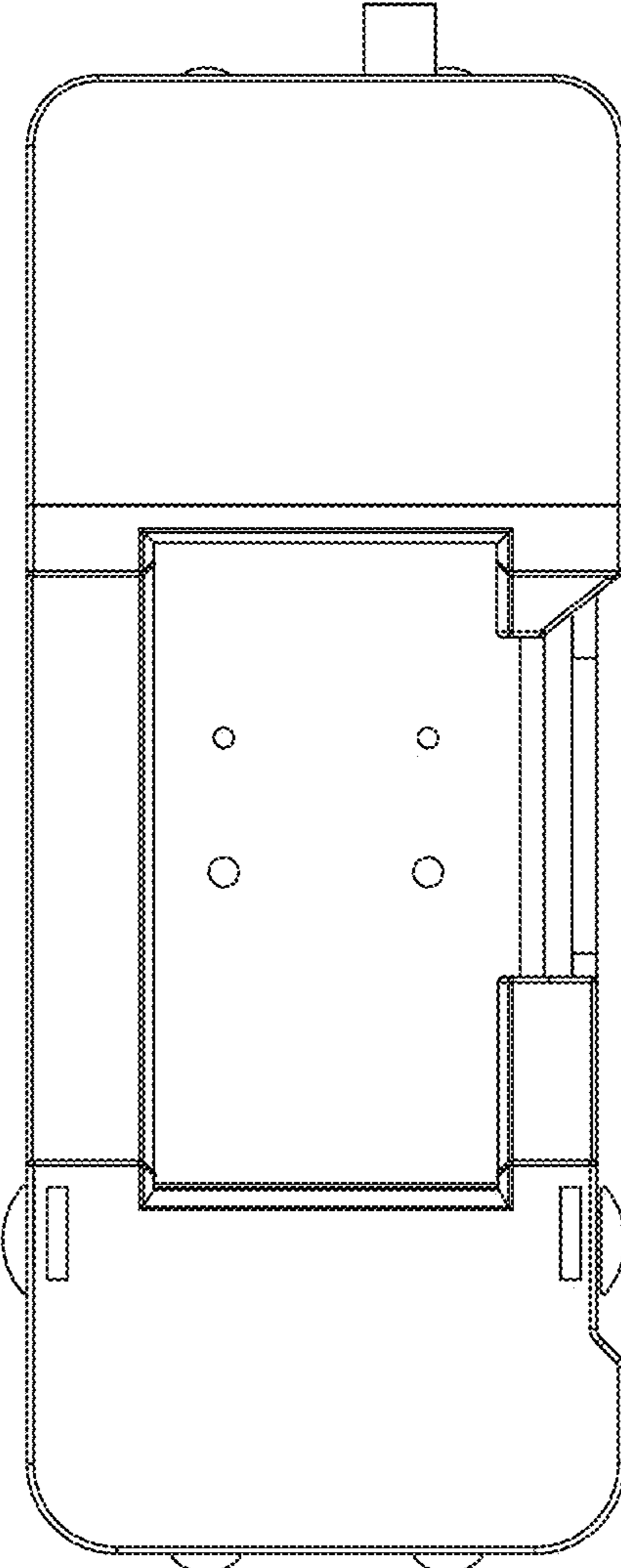


FIG. 5

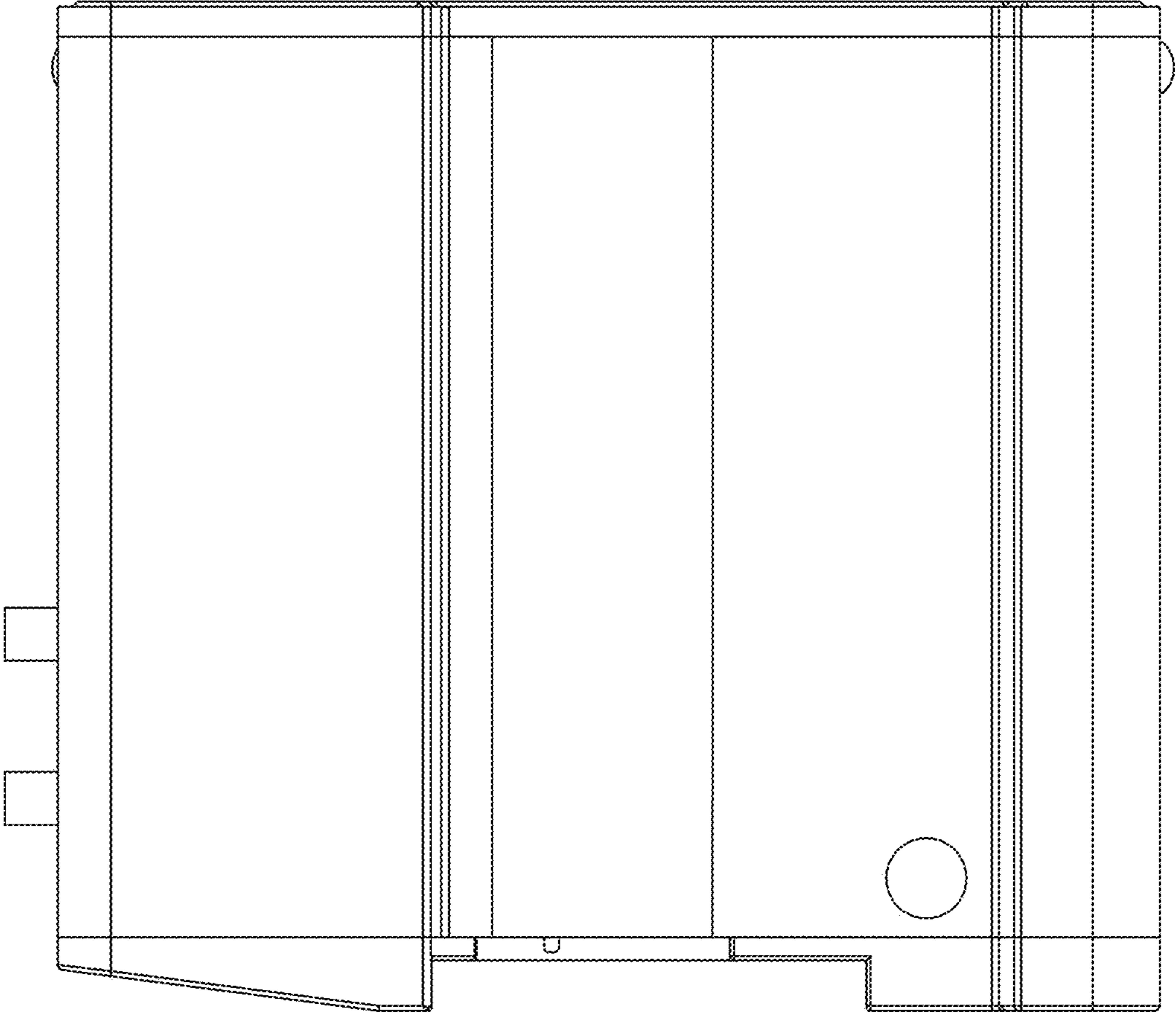


FIG. 6

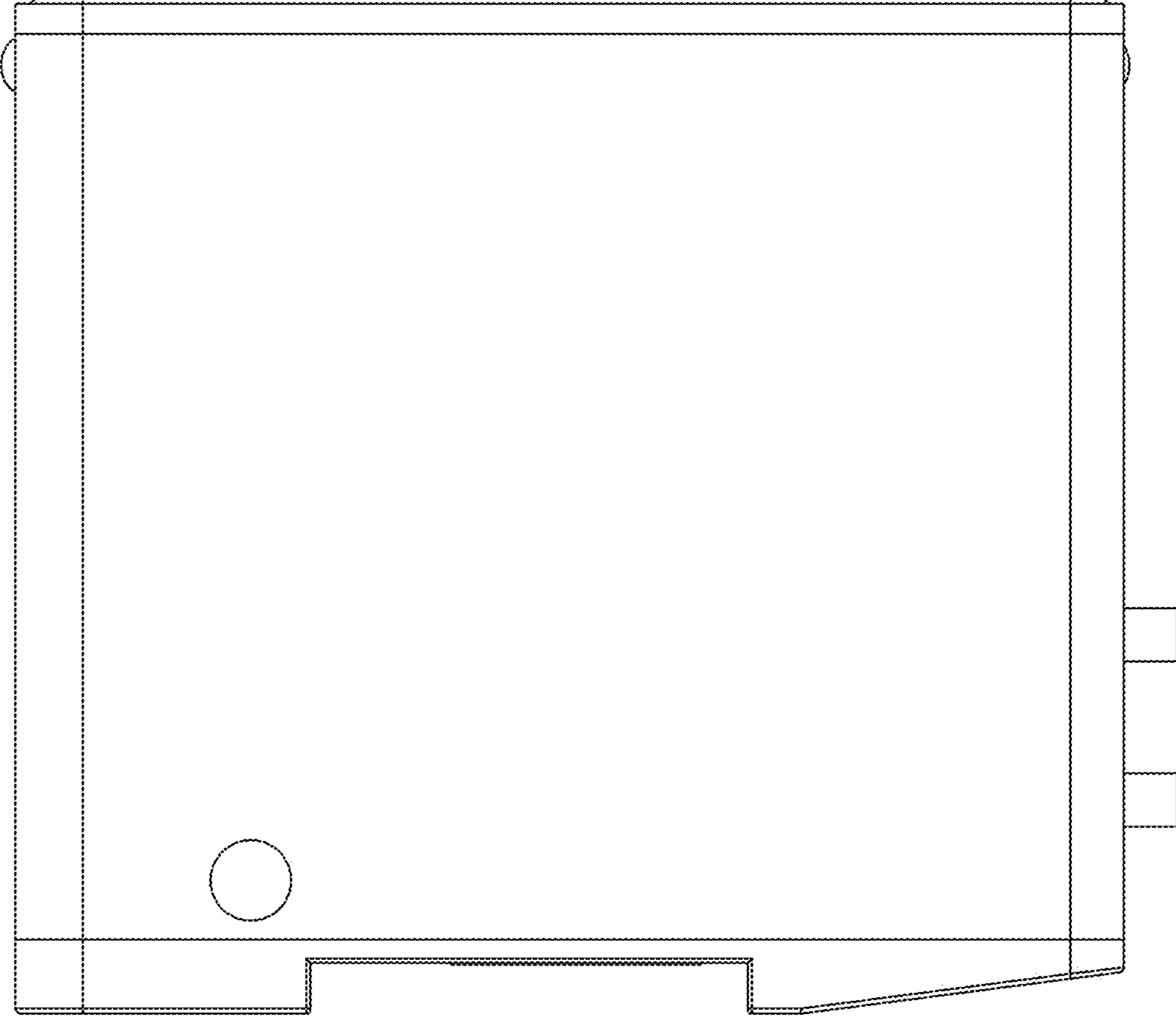


FIG. 7

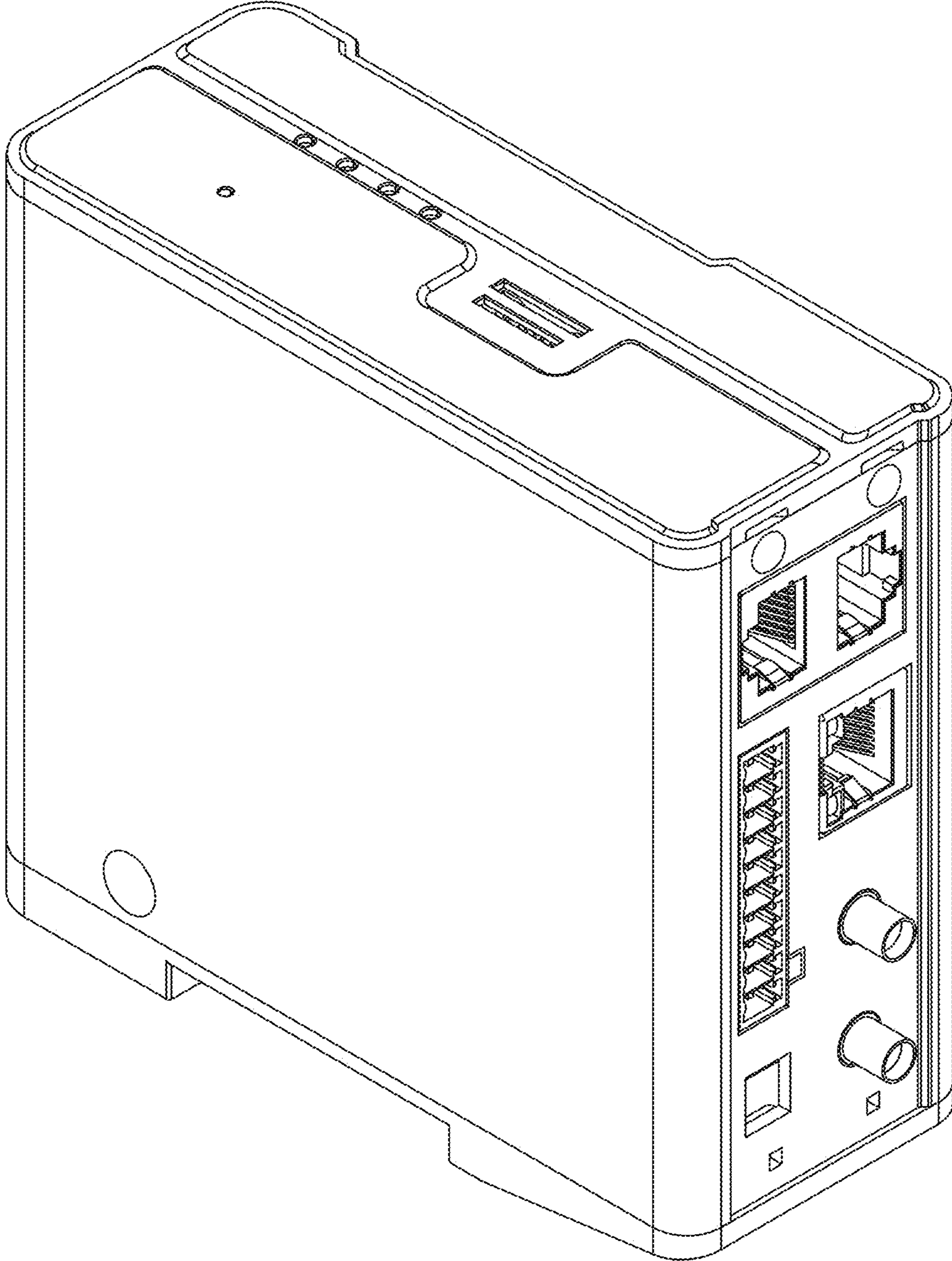


FIG. 8

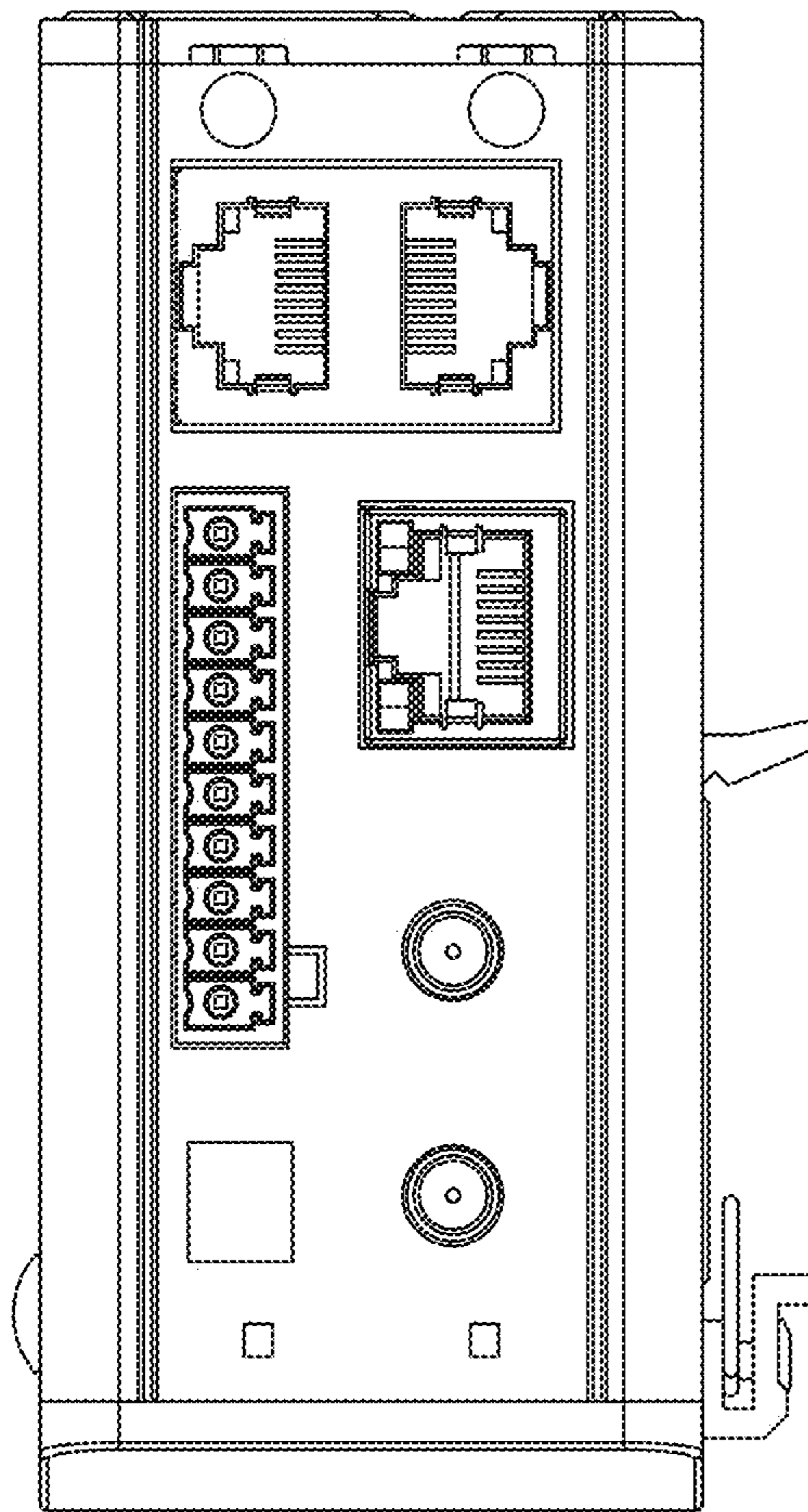


FIG. 9

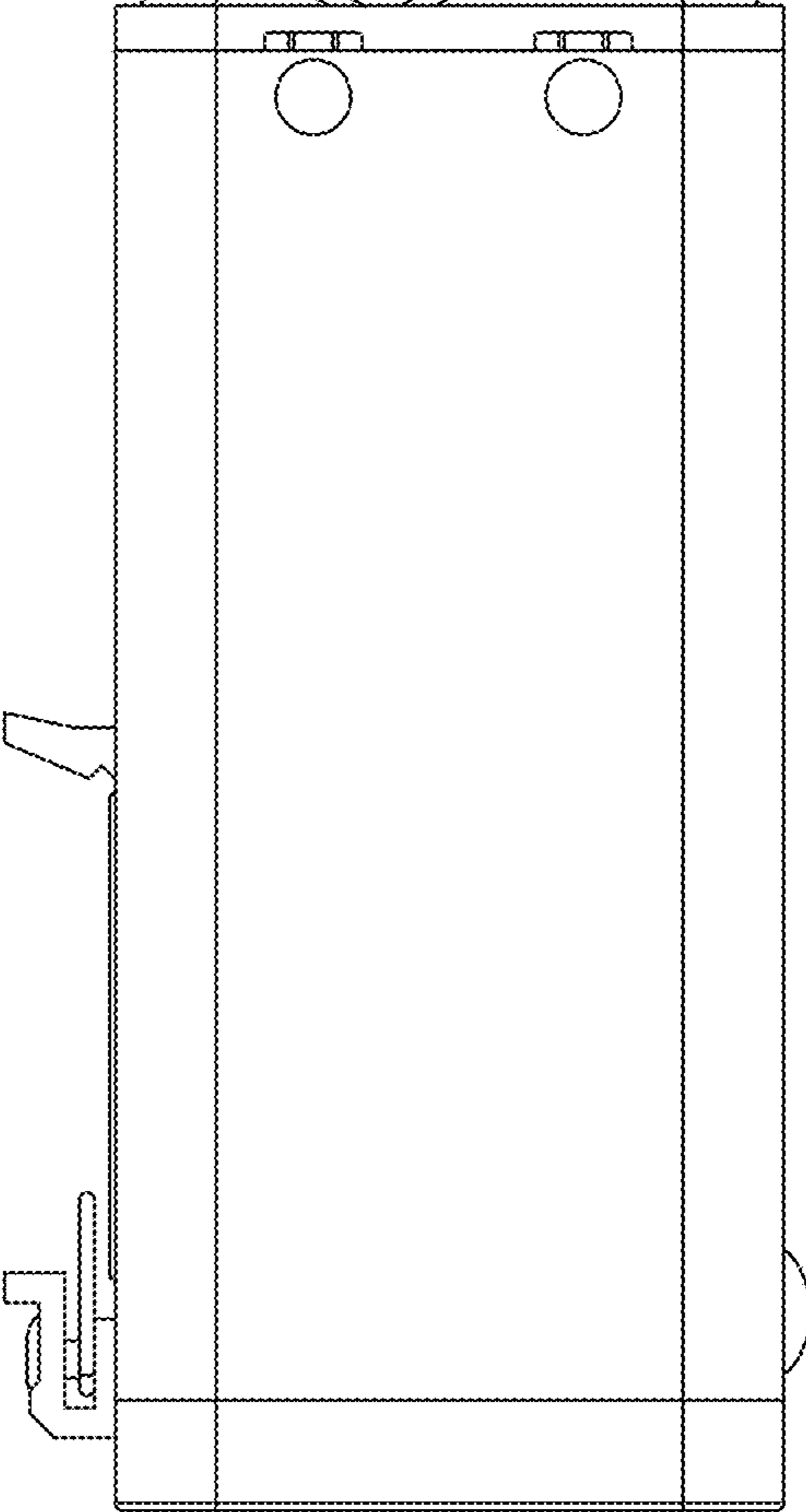


FIG. 10

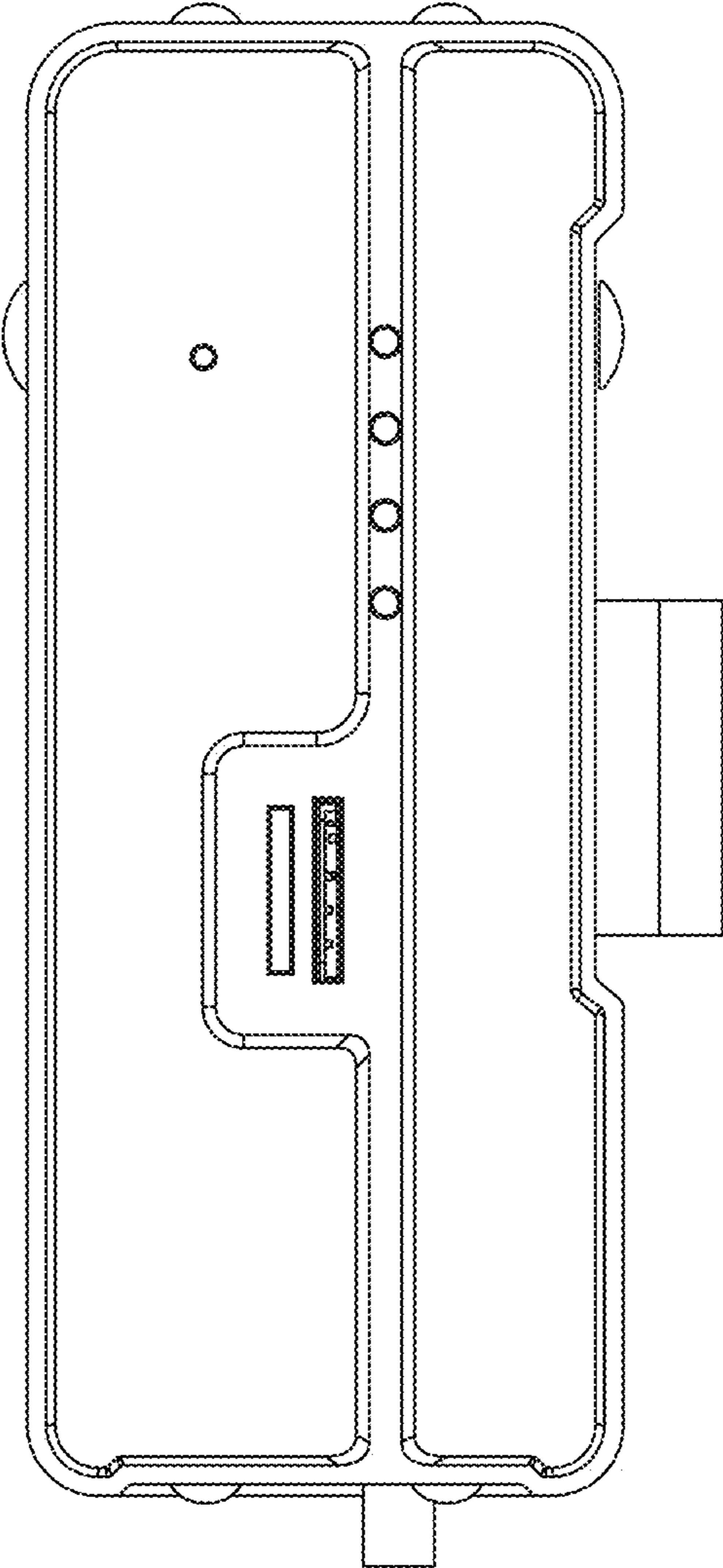


FIG. 11

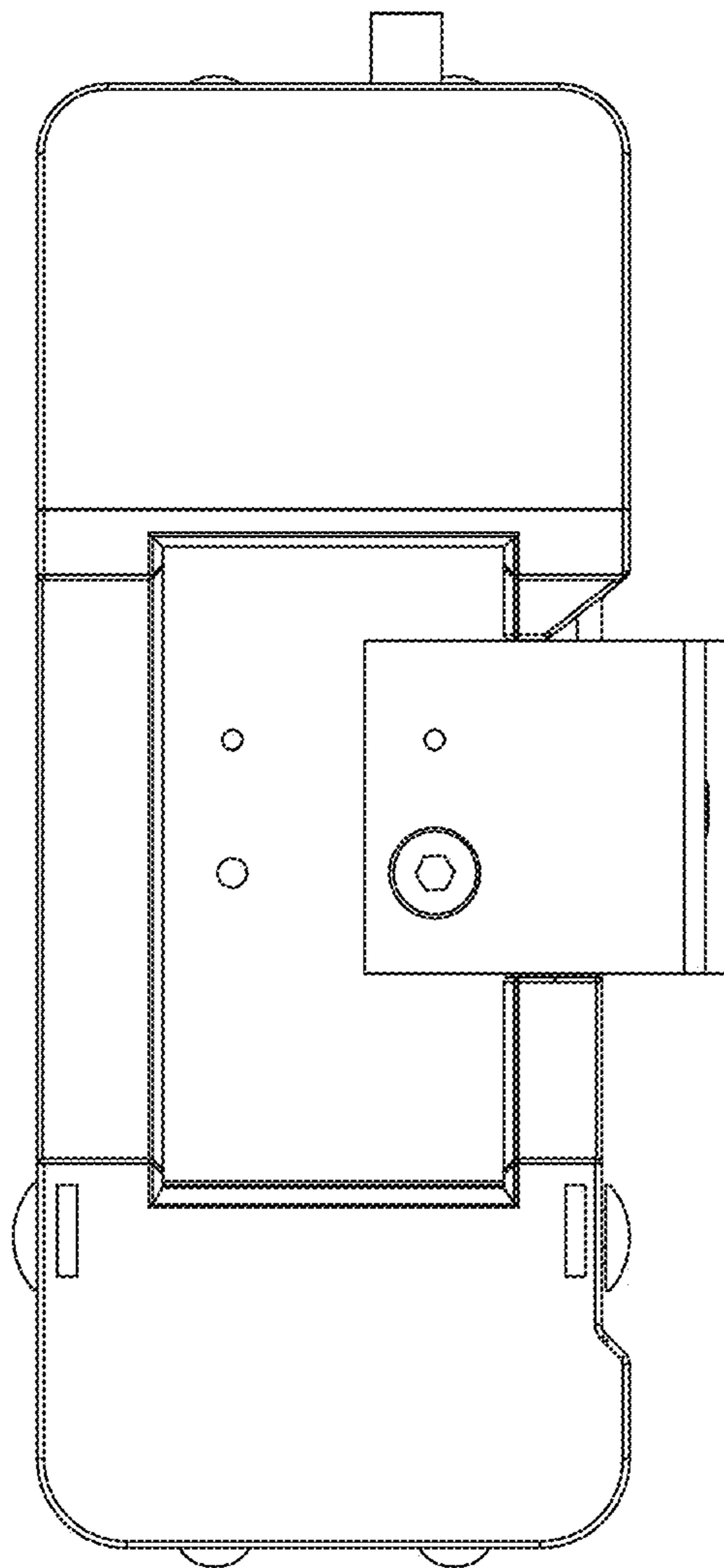


FIG. 12

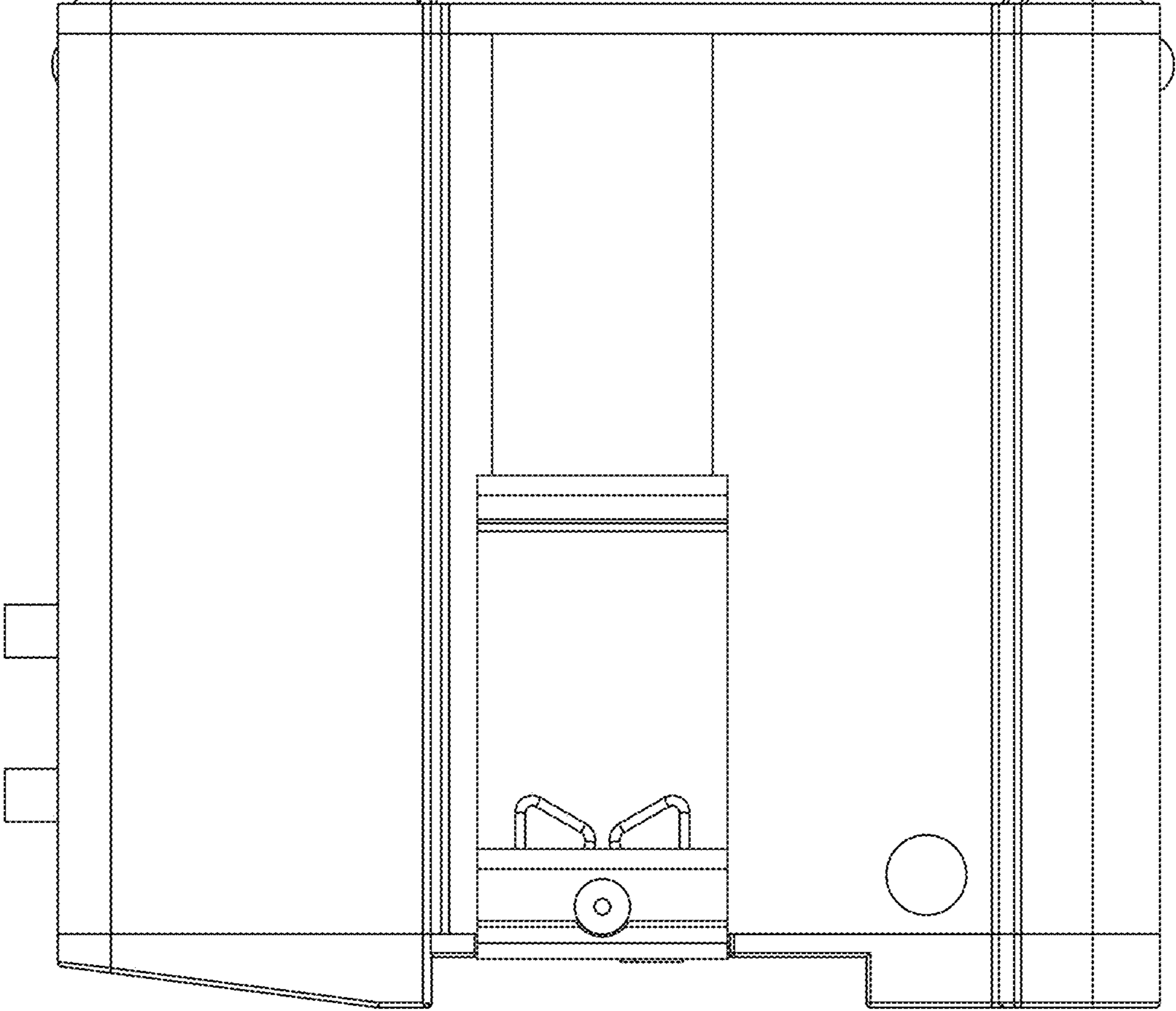


FIG. 13

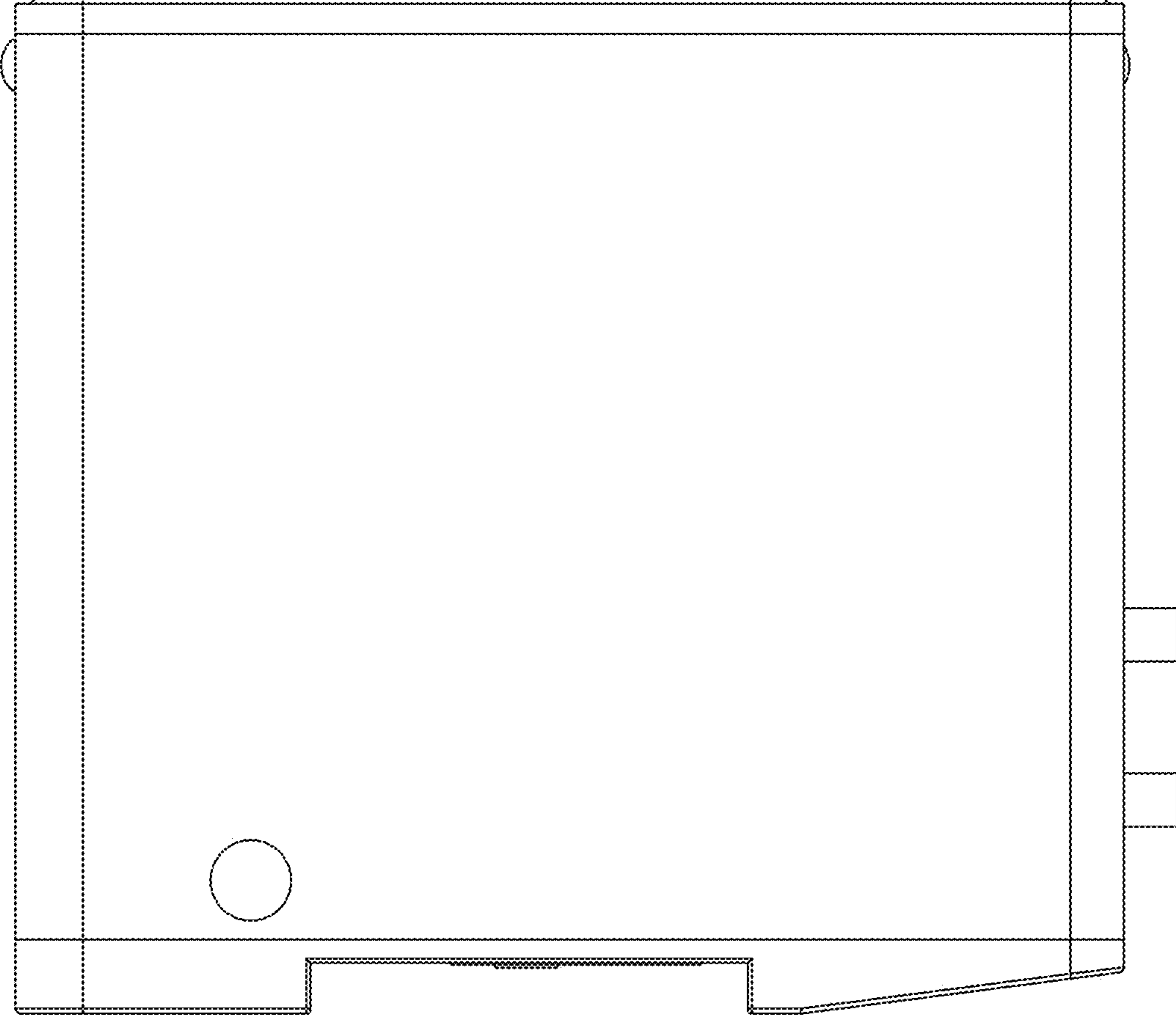


FIG. 14

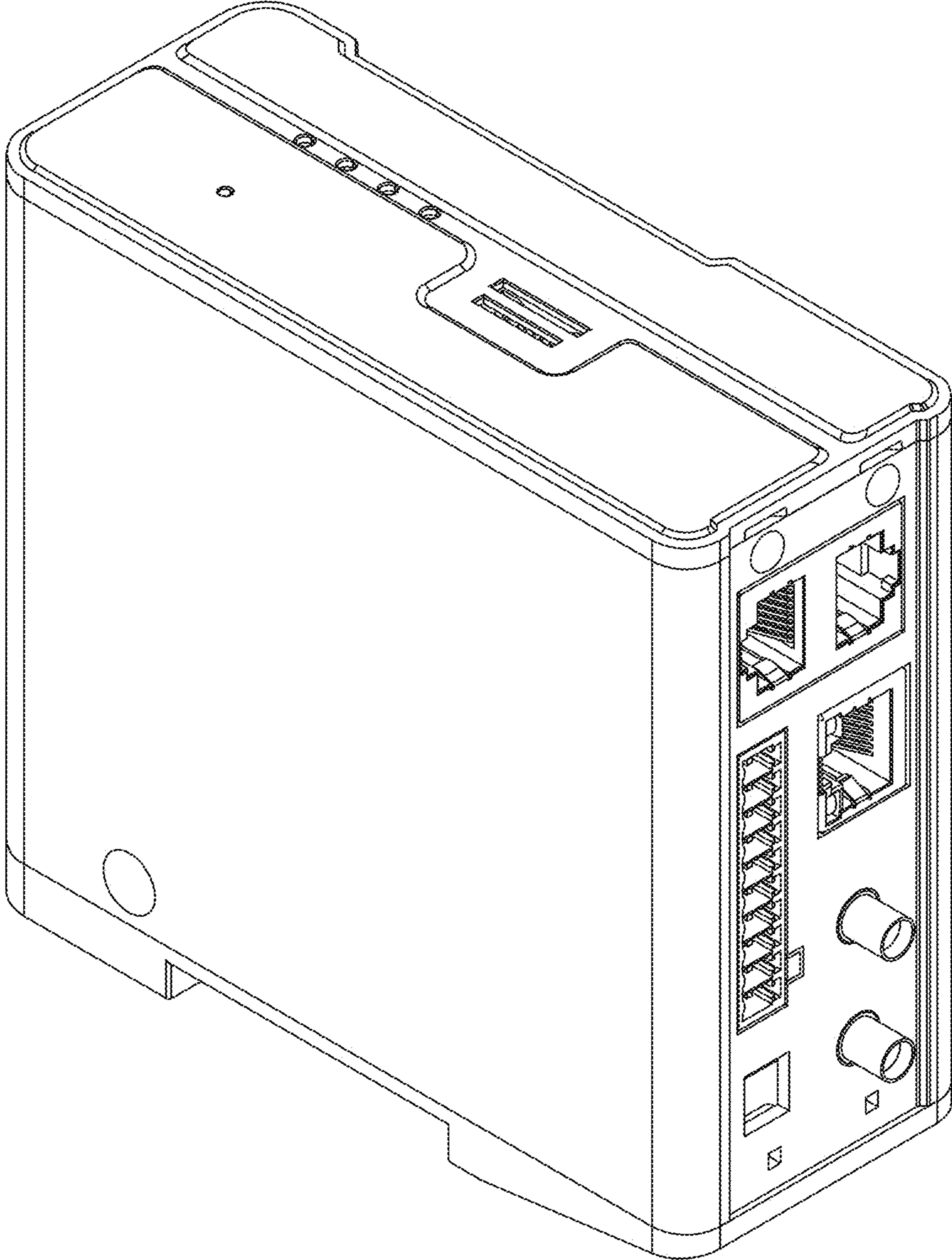


FIG. 15

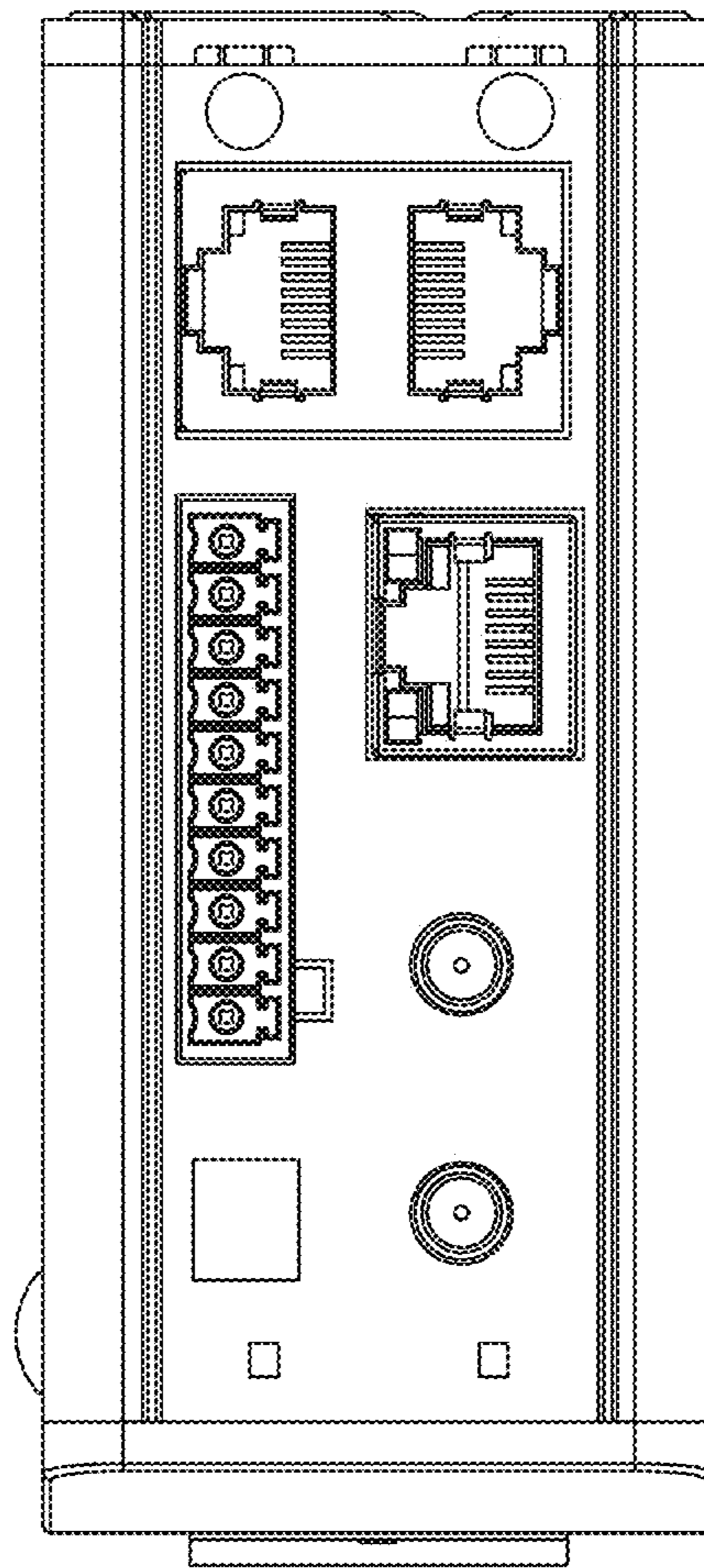


FIG. 16

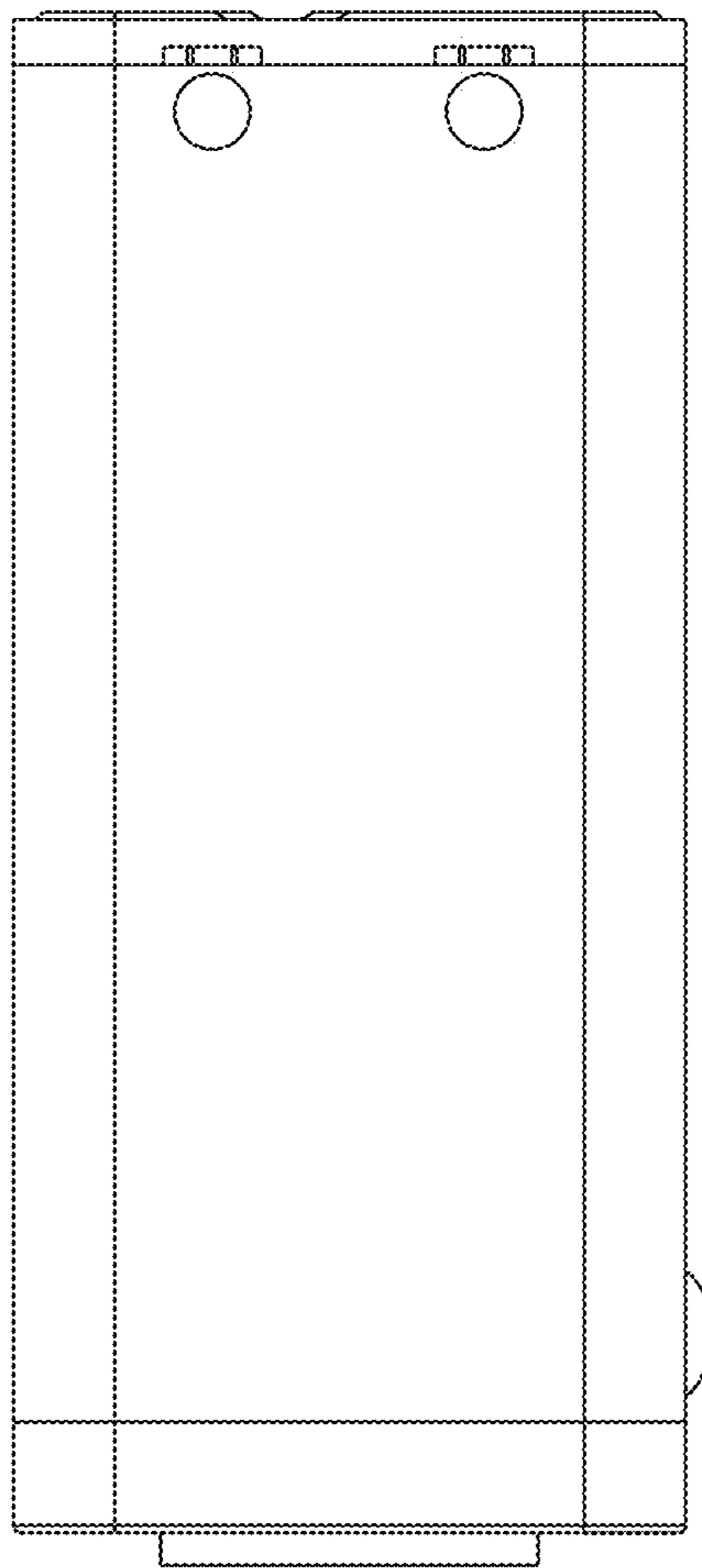


FIG. 17

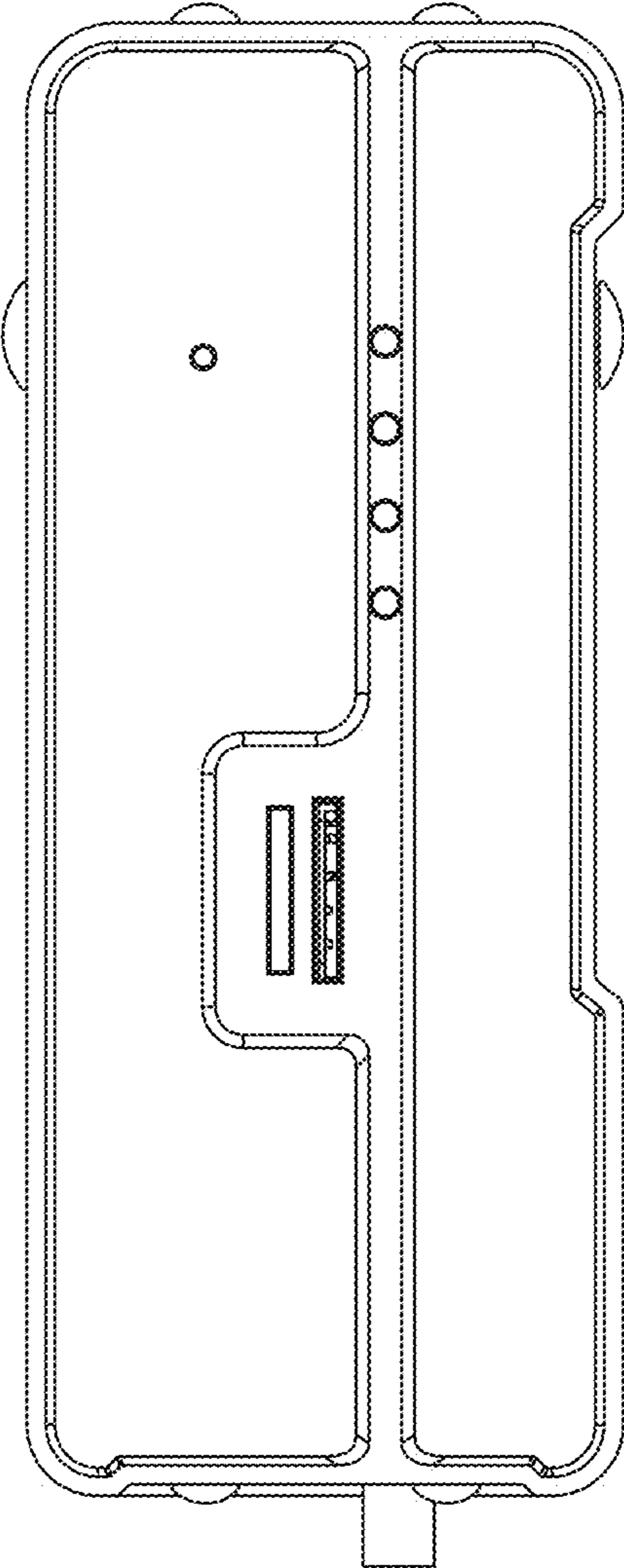


FIG. 18

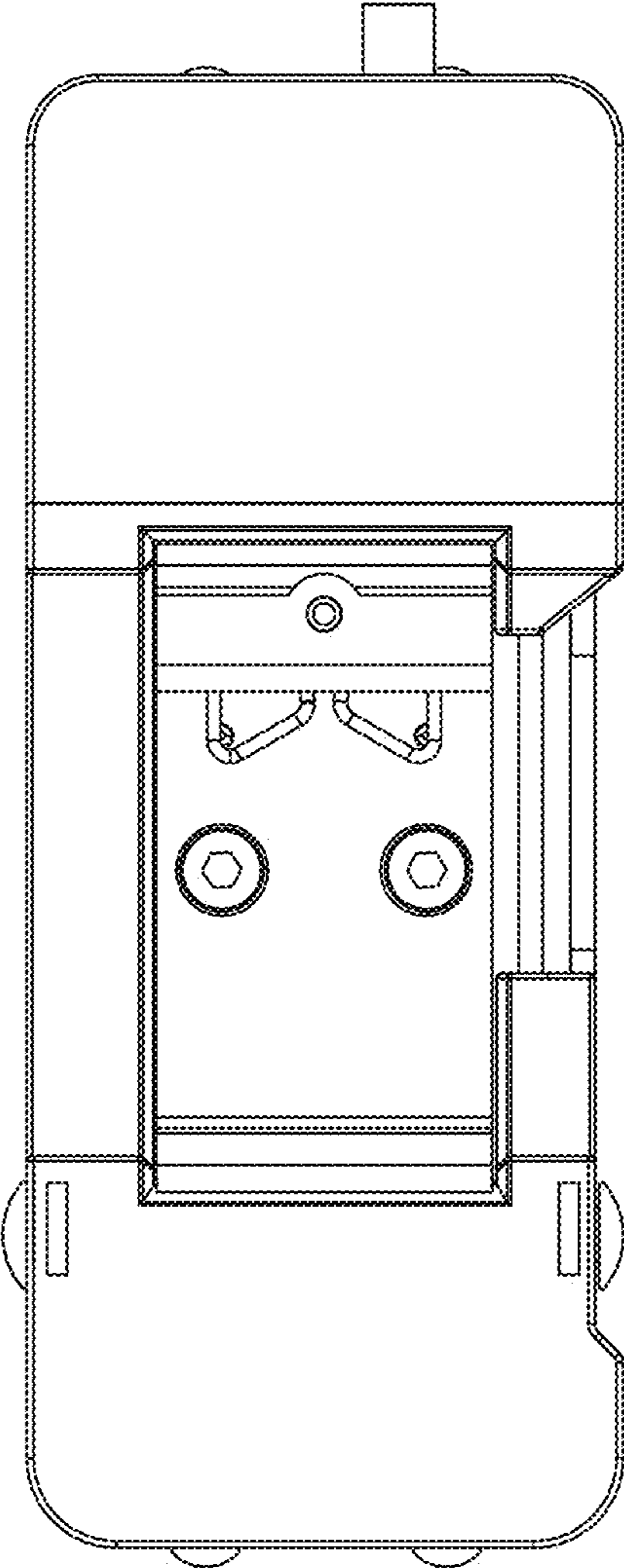


FIG. 19

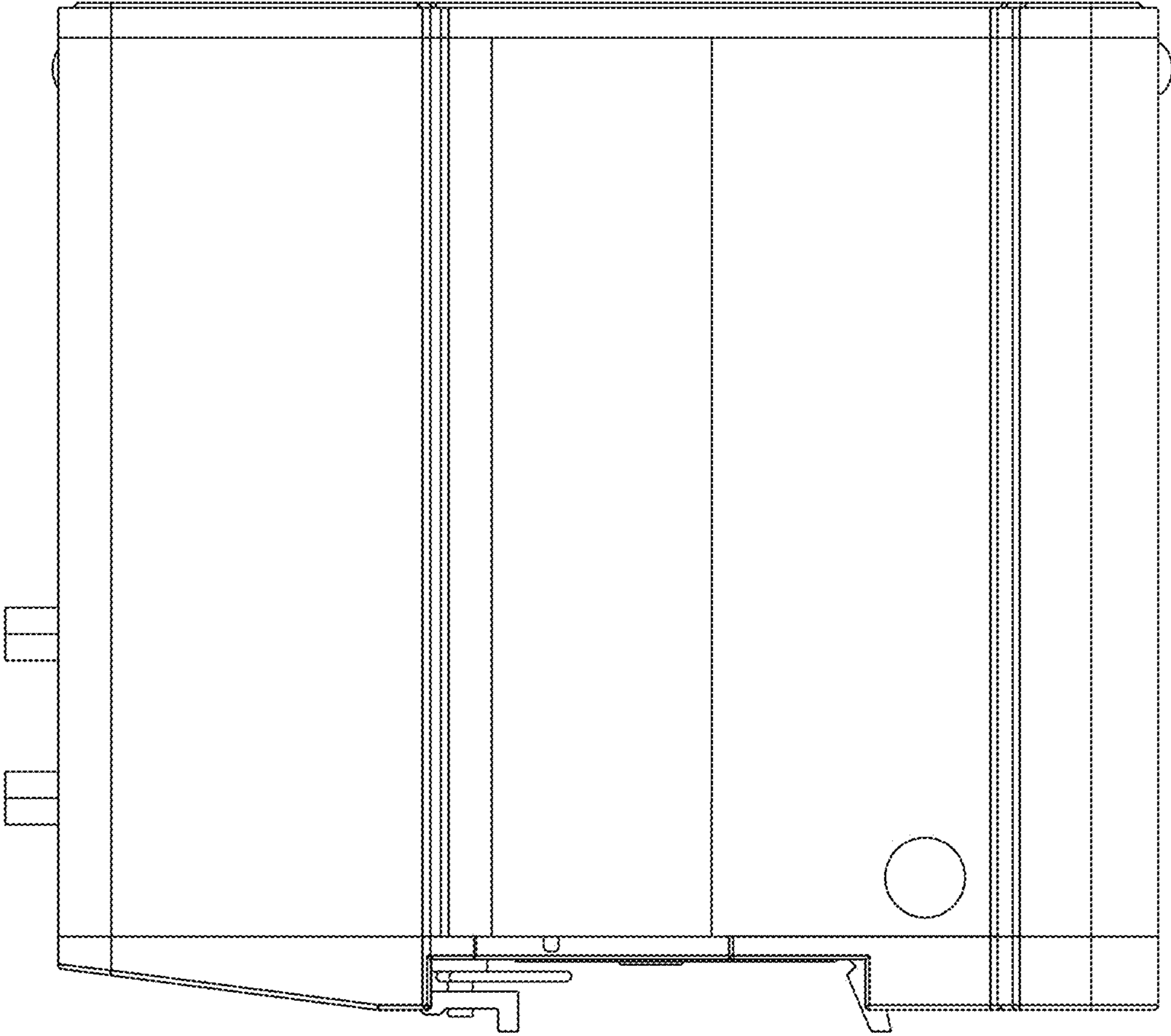


FIG. 20

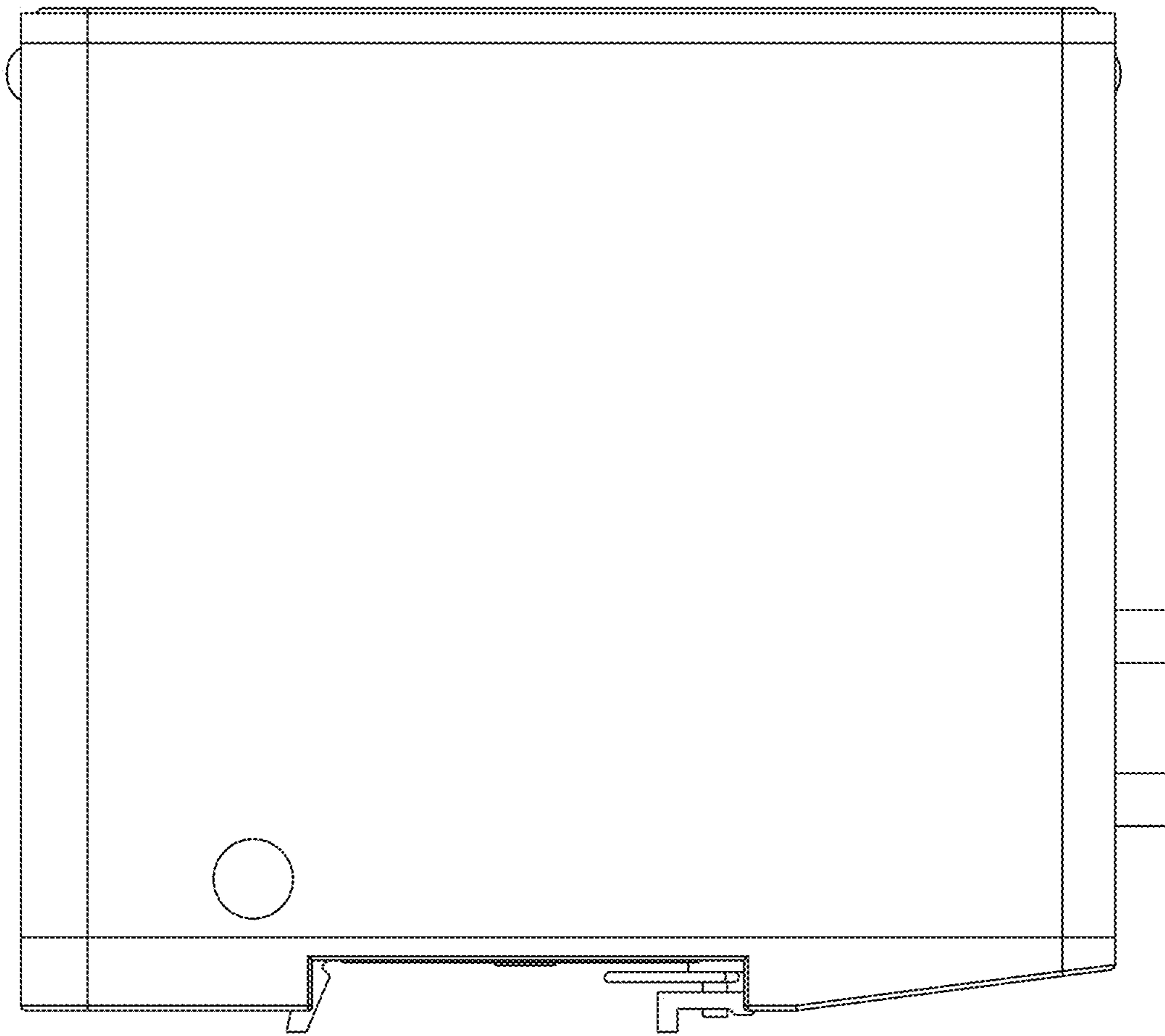


FIG. 21

