



US00D989050S

(12) **United States Design Patent** (10) **Patent No.:** **US D989,050 S**
Cong et al. (45) **Date of Patent:** **** Jun. 13, 2023**

(54) **PLANAR ANTENNA**
(71) Applicant: **Galvani Bioelectronics Limited**,
Hertfordshire (GB)
(72) Inventors: **Peng Cong**, Burlingame, CA (US);
Damiano Patron, South San Francisco,
CA (US); **Stephen O’Driscoll**, South
San Francisco, CA (US)

D788,086 S * 5/2017 He D14/230
D807,332 S * 1/2018 Chang D14/230
D826,910 S * 8/2018 Zhao D14/230
D890,734 S * 7/2020 He D14/230
D949,132 S * 4/2022 Cong D14/230
2005/0162321 A1* 7/2005 Colburn H01Q 5/357
343/702
2006/0061509 A1* 3/2006 Chen H01Q 9/0442
343/702

(Continued)

(73) Assignee: **Galvani Bioelectronics Limited**,
Brentford (GB)

FOREIGN PATENT DOCUMENTS

(**) Term: **15 Years**

CN 101345339 A * 1/2009 H01Q 9/0421
CN 207338633 U * 5/2018
WO WO-2011042699 A1 * 4/2011 H01Q 1/44

(21) Appl. No.: **29/792,246**

OTHER PUBLICATIONS

(22) Filed: **Mar. 15, 2022**

Journal article date Apr. 2019, <https://www.ijrte.org/wp-content/uploads/papers/v7i6s3/F1034376S19.pdf>, site visited May 18, 2019.*

Related U.S. Application Data

(62) Division of application No. 29/788,078, filed on Mar. 9, 2021, now Pat. No. Des. 949,132, which is a division of application No. 29/664,370, filed on Sep. 24, 2018, now Pat. No. Des. 916,688.

Primary Examiner — John R Yeh
(74) *Attorney, Agent, or Firm* — Merchant & Gould P.C.

(51) **LOC (14) Cl.** **14-03**

(57) **CLAIM**

(52) **U.S. Cl.**
USPC **D14/230**

The ornamental design for planar antenna, as shown and described.

(58) **Field of Classification Search**
USPC D14/230
CPC H01Q 9/0442; H01Q 1/243
See application file for complete search history.

DESCRIPTION

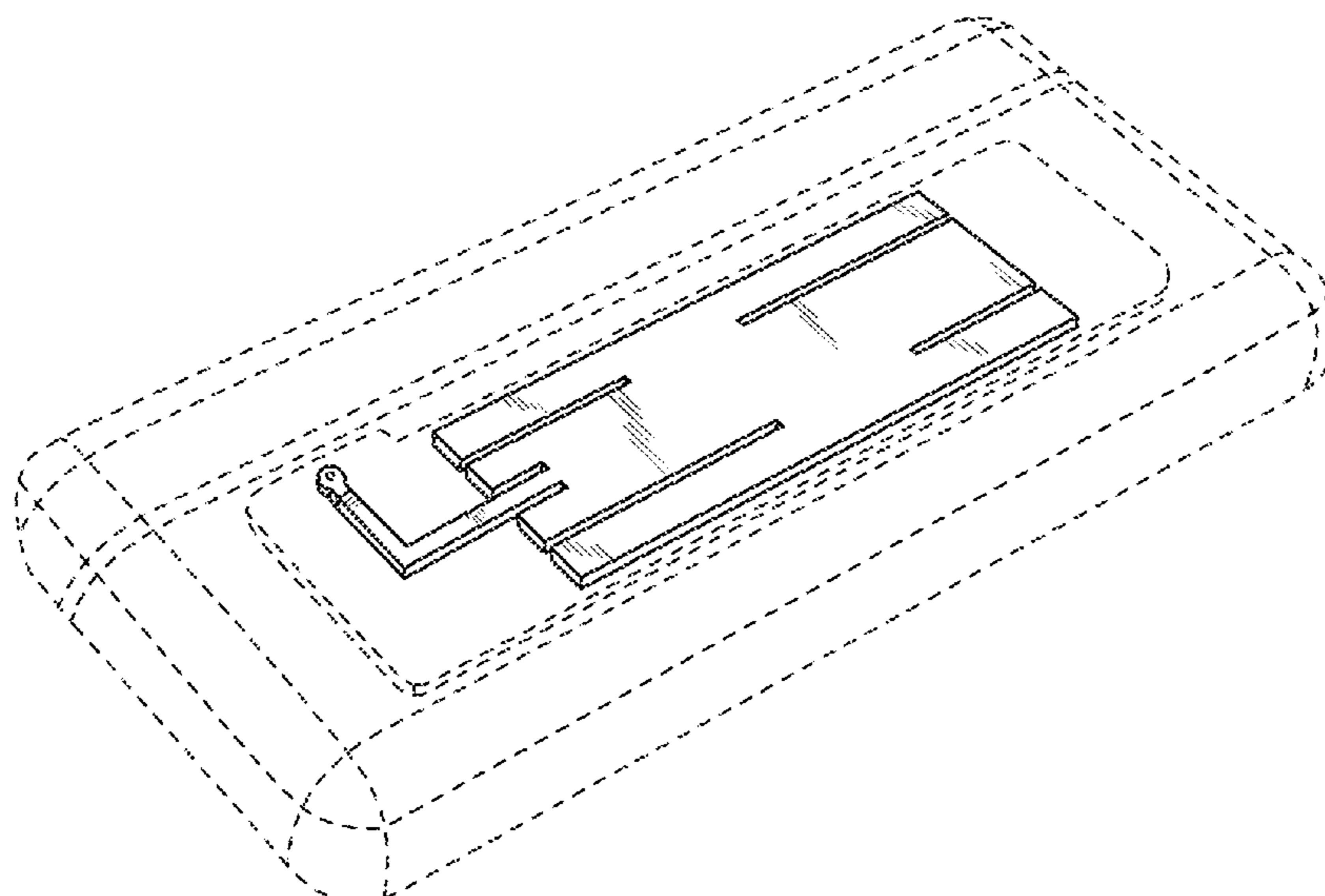
(56) **References Cited**

U.S. PATENT DOCUMENTS

4,780,724 A * 10/1988 Sharma H01Q 9/0442
343/745
D501,847 S * 2/2005 Iwai D14/230
D588,585 S * 3/2009 Montgomery D14/230
D635,964 S * 4/2011 Podduturi D14/230
D689,474 S * 9/2013 Yang D14/230
D690,289 S * 9/2013 Zuniga D14/230

FIG. 1 is a perspective view of a planar antenna showing the claimed design;
FIG. 2 is a top view thereof;
FIG. 3 is a bottom view thereof;
FIG. 4 is a right side view thereof;
FIG. 5 is a left side view thereof;
FIG. 6 is a front view thereof; and,
FIG. 7 is a rear view thereof.
The broken lines illustrate environment and portions of the antenna that form no part of the claimed design.

1 Claim, 5 Drawing Sheets



(56)

References Cited

U.S. PATENT DOCUMENTS

2006/0176223 A1* 8/2006 Ishimiya H01Q 1/243
343/702
2008/0042904 A1* 2/2008 Shih H01Q 9/40
343/702
2010/0060526 A1* 3/2010 Cheng H01Q 1/38
343/700 MS
2017/0222298 A1* 8/2017 Nakamoto H01Q 1/1207
2018/0151956 A1* 5/2018 Ban H01Q 1/243
2020/0400815 A1* 12/2020 Wintermantel H01Q 21/0068

* cited by examiner

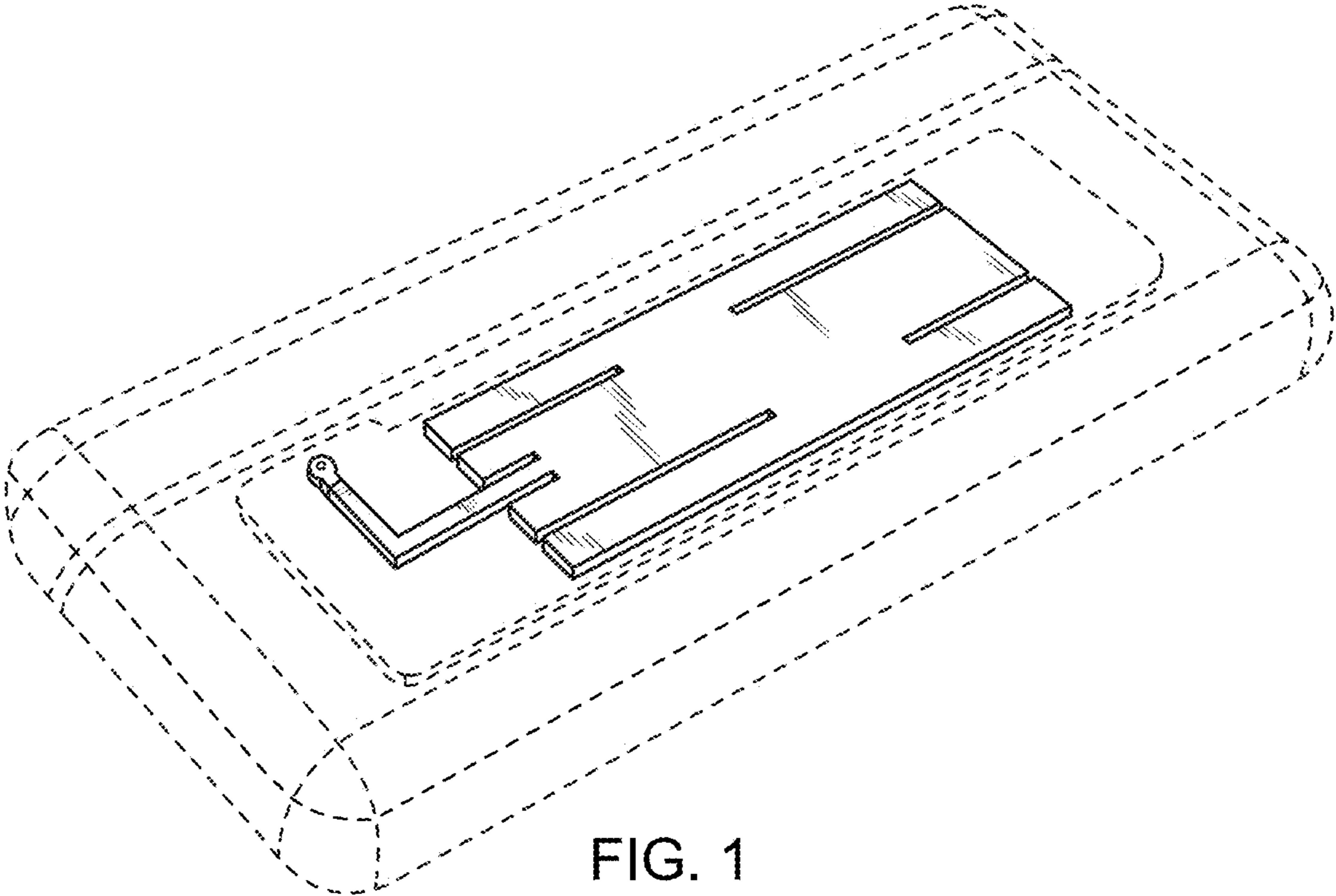


FIG. 1

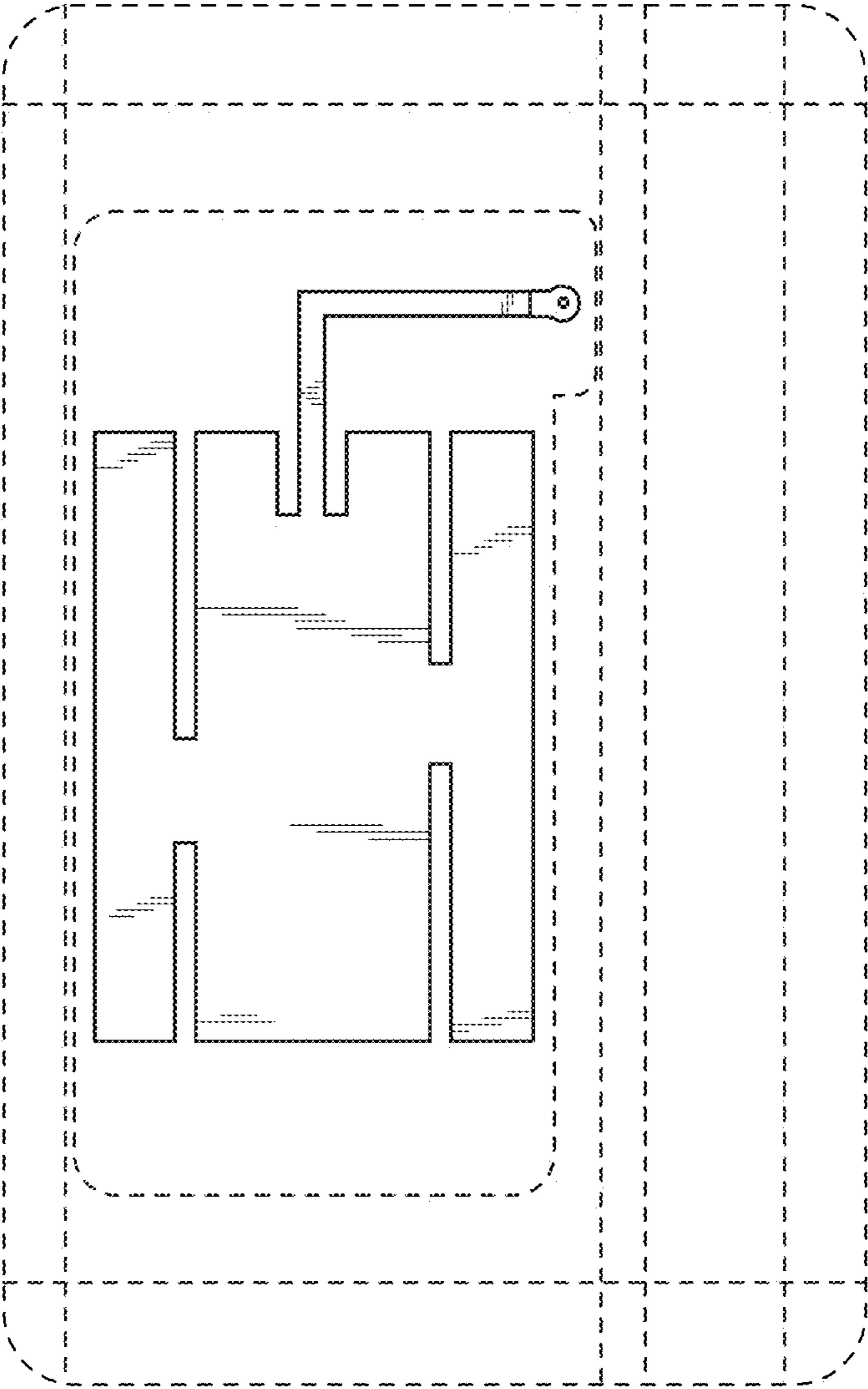


FIG. 2

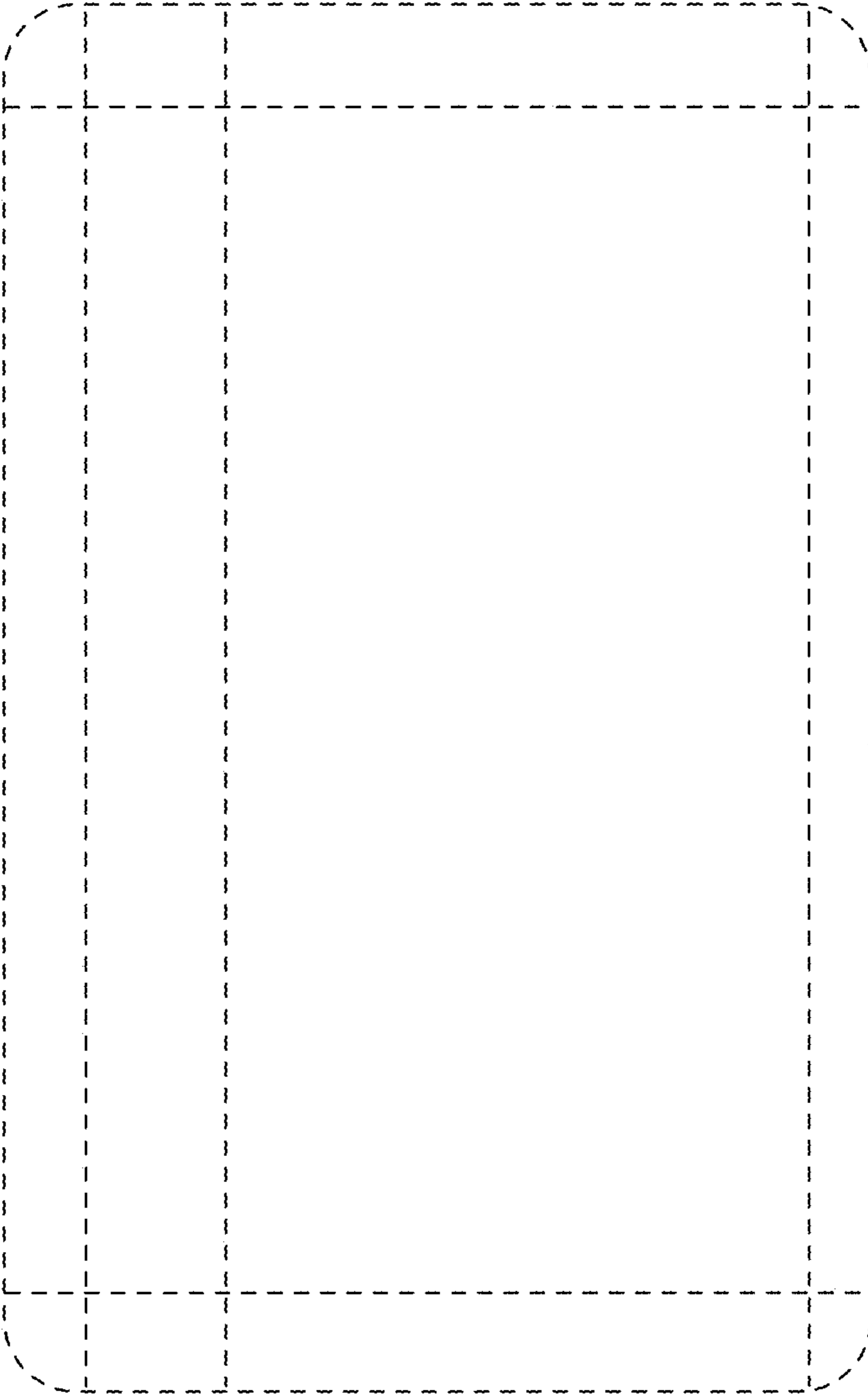


FIG. 3

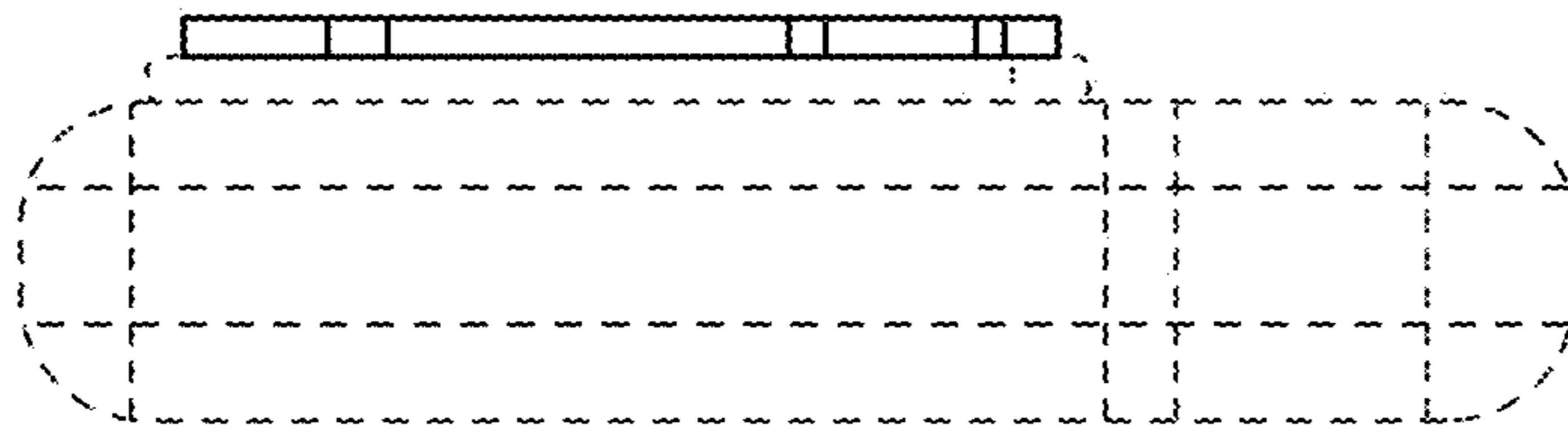


FIG. 4

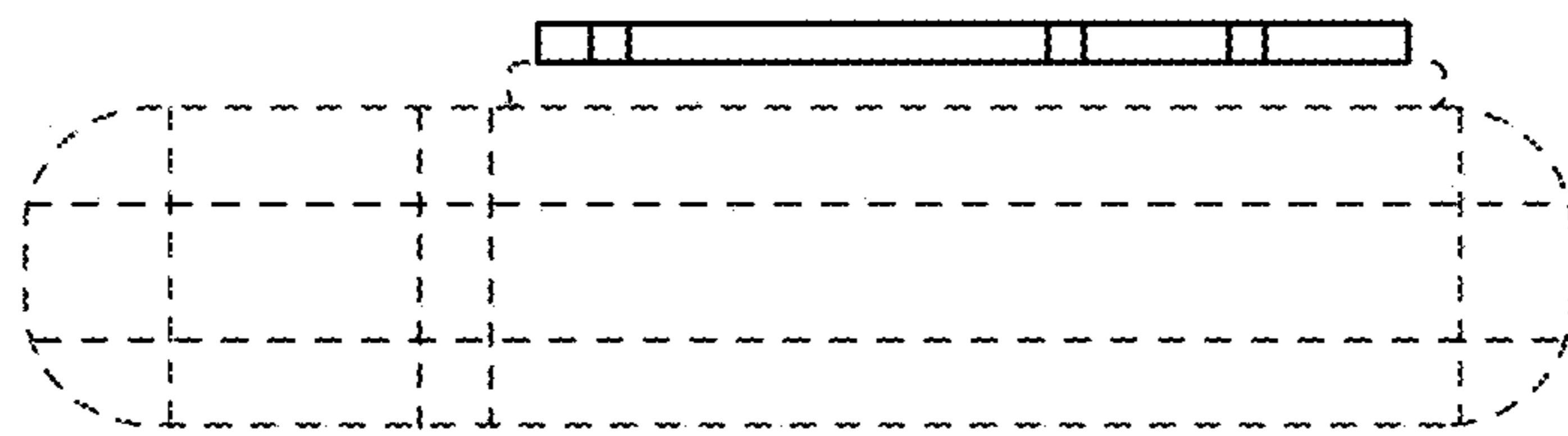


FIG. 5

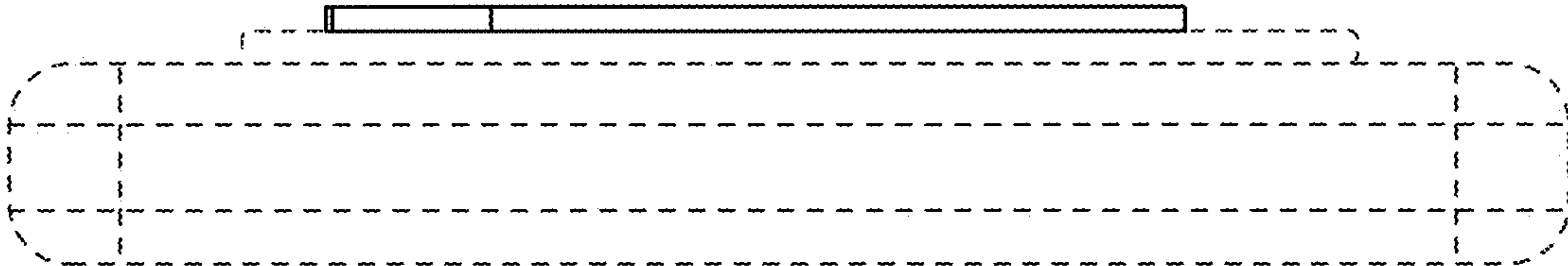


FIG. 6

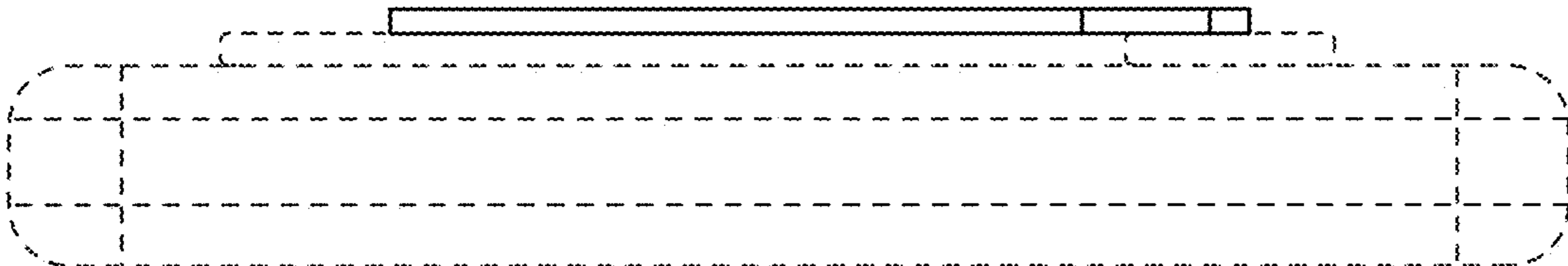


FIG. 7