



US00D989048S

(12) **United States Design Patent** (10) **Patent No.:** **US D989,048 S**
Brand (45) **Date of Patent:** **** Jun. 13, 2023**

(54) **PATCH ANTENNA**
(71) Applicant: **Fleet Space Technologies Pty Ltd,**
Beverly SA (AU)
(72) Inventor: **Yan Brand,** Montreal (CA)
(73) Assignee: **Fleet Space Technologies Pty Ltd,**
Beverly SA (AU)
(**) Term: **15 Years**

2016/0141757 A1* 5/2016 Lai H01Q 9/285
343/770
2016/0261047 A1* 9/2016 Wallace H01Q 1/521
2017/0229754 A1 8/2017 Lee et al.
(Continued)

FOREIGN PATENT DOCUMENTS

CN 307690143 * 11/2022
DE 102012023938 A1 6/2014
IN 357329-001-0001 * 4/2022
(Continued)

(21) Appl. No.: **29/781,827**

OTHER PUBLICATIONS

(22) Filed: **Apr. 30, 2021**

Centauri 4 New Generation Payload, retrieved from <https://fleetspace.com/news/centauri-4-new-generation-payload>, Dec. 1, 2020.

(30) **Foreign Application Priority Data**

(Continued)

Jan. 15, 2021 (AU) 2021900079

(51) **LOC (14) Cl.** **14-03**

Primary Examiner — Daniel J Domino

(52) **U.S. Cl.**
USPC **D14/230**

Assistant Examiner — Samina Vieth

(58) **Field of Classification Search**
USPC D14/230, 231–240, 299, 358; D9/232;
D6/300, 303, 308, 310, 311
CPC H01Q 7/00; H01Q 13/10; H01L 33/486;
H01L 23/02; H05K 5/00; F16L 3/2235;
F16L 3/227; Y10T 403/7141
See application file for complete search history.

(74) *Attorney, Agent, or Firm* — Lee & Hayes, P.C.

(56) **References Cited**

(57) **CLAIM**

The ornamental design for a patch antenna, as shown and described.

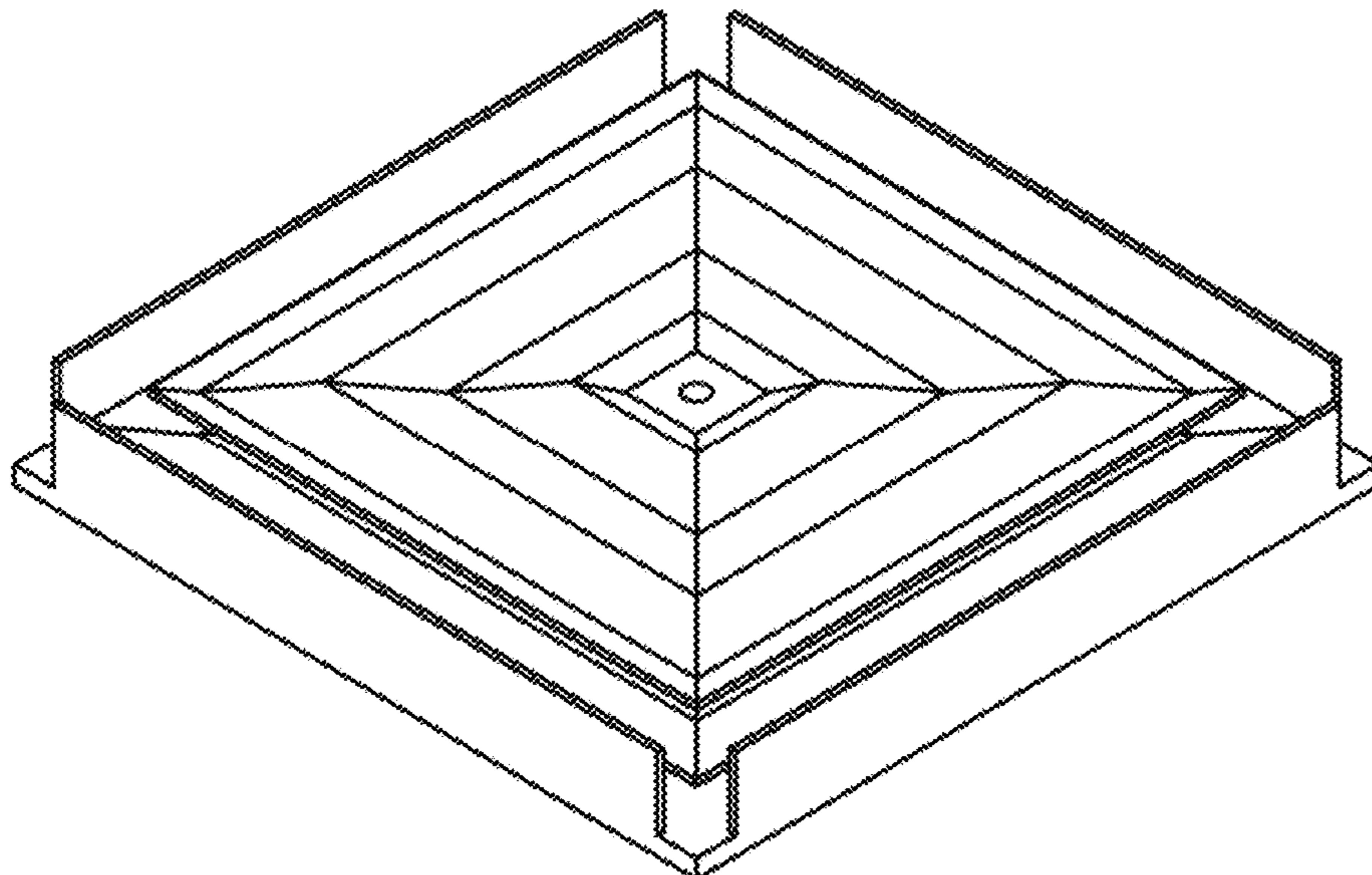
U.S. PATENT DOCUMENTS

DESCRIPTION

D339,352 S * 9/1993 Giles D14/232
D515,075 S * 2/2006 Kusanagi D14/230
D531,995 S * 11/2006 Shinkawa D14/230
D603,385 S * 11/2009 Kuramoto D14/230
D606,052 S * 12/2009 Noro D14/230
D818,952 S * 5/2018 Wilcox D13/110
9,966,658 B2 5/2018 Fitz-Coy et al.
2016/0104942 A1 4/2016 Pera et al.

FIG. 1 is a top perspective view of a patch;
FIG. 2 is a top view thereof;
FIG. 3 is a bottom view thereof;
FIG. 4 is a front view thereof;
FIG. 5 is a back view thereof;
FIG. 6 is a right-side view thereof;
FIG. 7 is a left-side view thereof;
FIG. 8 is an enlarged left-side view of a cross-section of the patch antenna taken along the line 8-8 shown in FIG. 2; and,
FIG. 9 is an enlarged right-side view of an enlarged cross-section of the patch antenna taken along the line 9-9 shown in FIG. 2.

1 Claim, 4 Drawing Sheets



(56)

References Cited

U.S. PATENT DOCUMENTS

2017/0279202 A1 9/2017 Galla et al.
2021/0098883 A1* 4/2021 Yang H01Q 9/0414

FOREIGN PATENT DOCUMENTS

IN 357550-001-0001 * 1/2023
WO WO2014121197 A2 8/2014

OTHER PUBLICATIONS

Fleet Space Technologies Team up with Sage Automation to Provide Remote Industrial IoT, retrieved from <<https://fleetspace.com/news/fleet-space-technologies-team-up-with-sage-automation-to-provide-remote-industrial-iot>> Sep. 25, 2020.

* cited by examiner

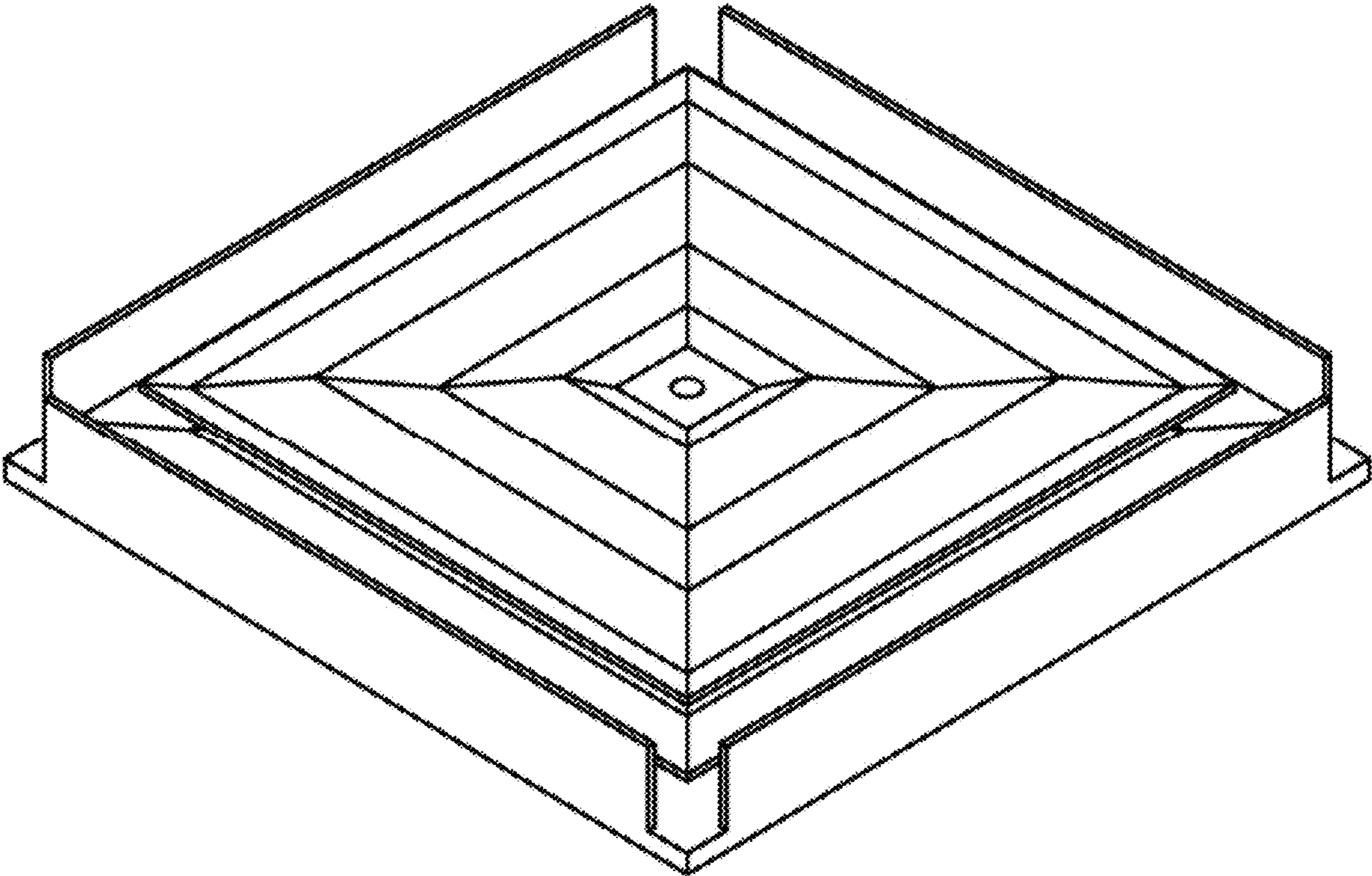


FIG. 1

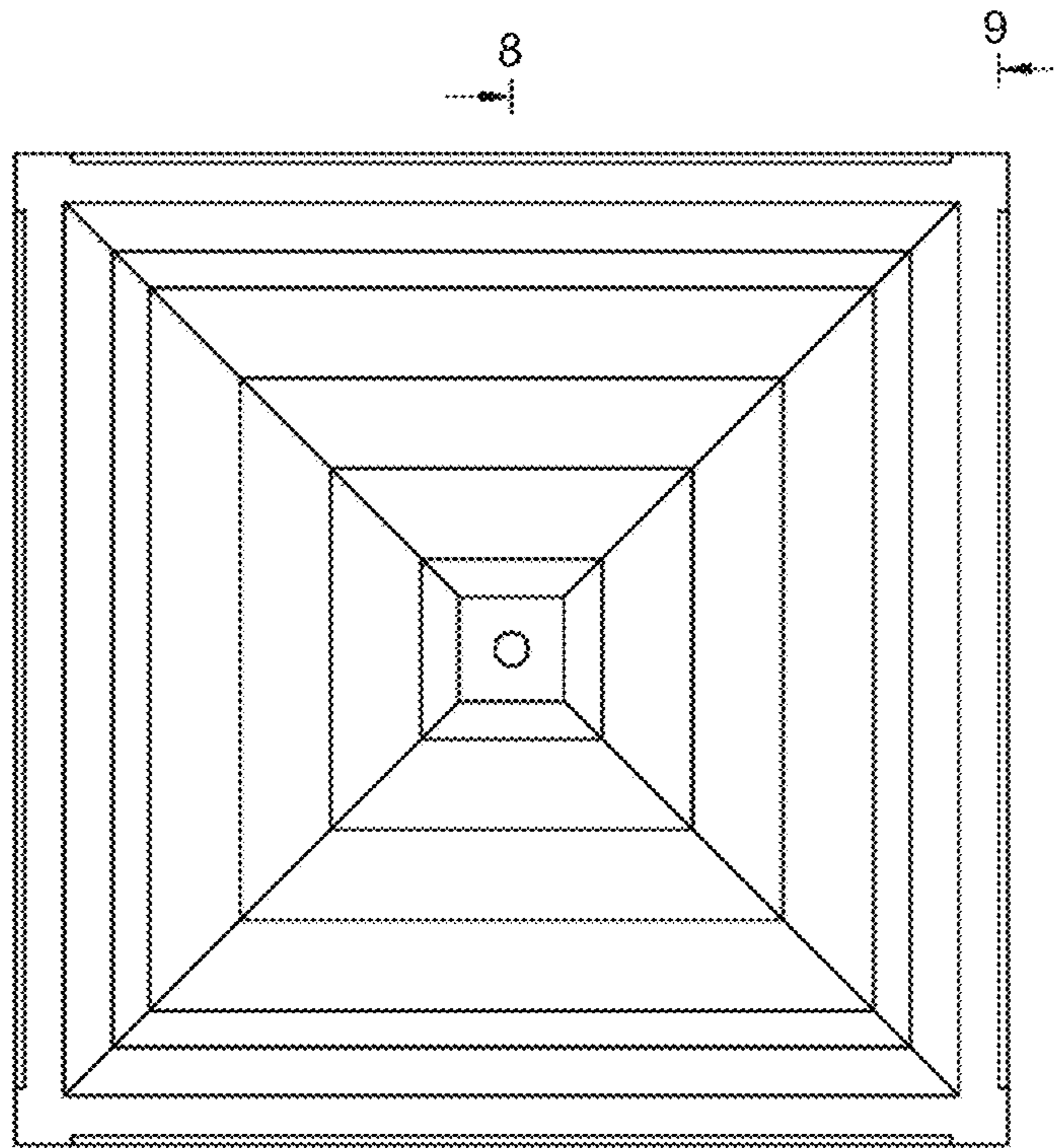


FIG. 2

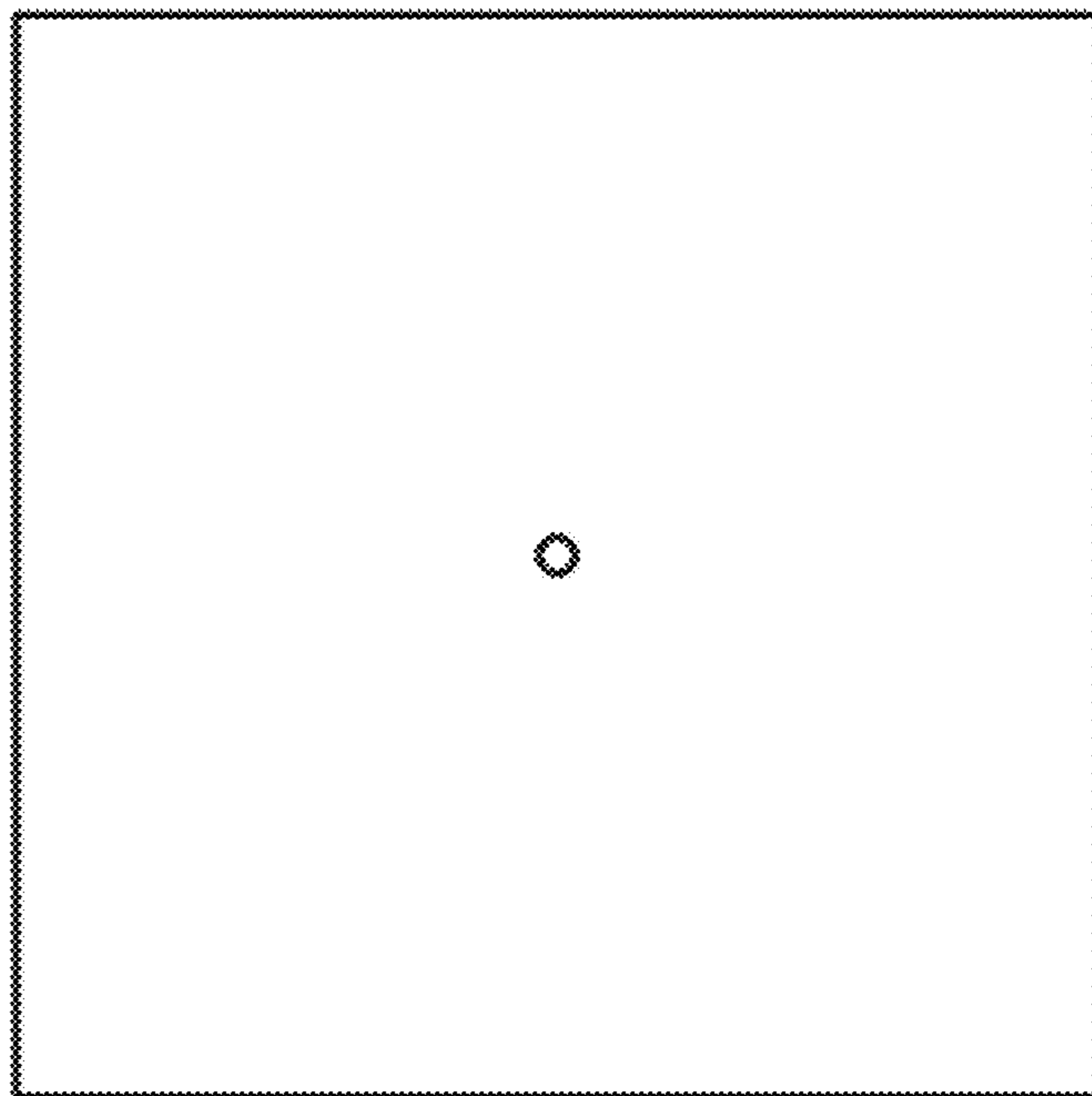


FIG. 3



FIG. 4



FIG. 5



FIG. 6



FIG. 7

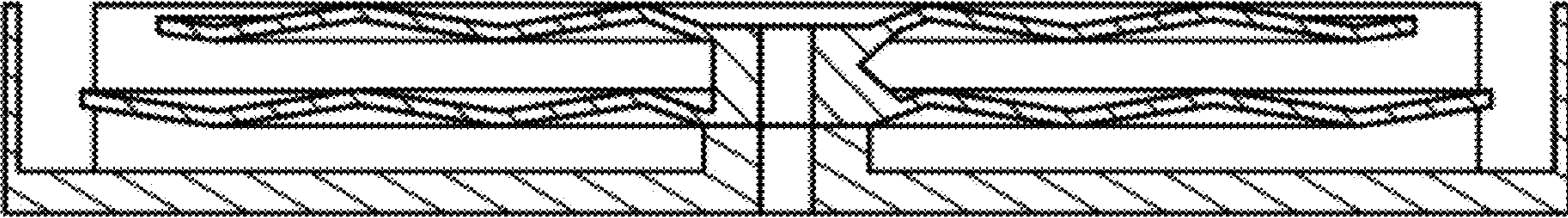


FIG. 8

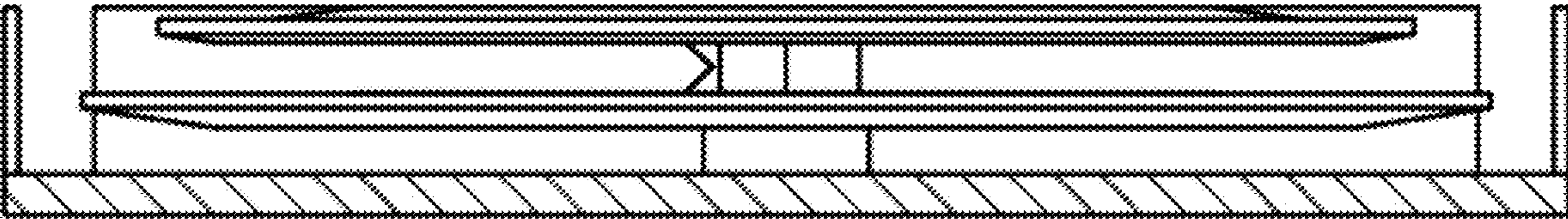


FIG. 9