



US00D989047S

(12) **United States Design Patent**
Quijano et al.

(10) **Patent No.:** **US D989,047 S**

(45) **Date of Patent:** **** Jun. 13, 2023**

(54) **MICROPHONE**

(71) Applicant: **HEWLETT-PACKARD
DEVELOPMENT COMPANY, L.P.,**
Spring, TX (US)

(72) Inventors: **David Quijano**, Spring, TX (US);
Stacy L. Wolff, Spring, TX (US);
Owen P. Columbus, Spring, TX (US);
Paul L. Drew, Spring, TX (US);
Marcus Hoggarth, London (GB); **Cian
Plumbe**, London (GB); **Seong Min
Hwang**, London (GB); **Ben Henley**,
London (GB); **Benjamin Keep**, London
(GB); **Jaineel Shah**, London (GB)

(73) Assignee: **Hewlett-Packard Development
Company, L.P.**, Spring, TX (US)

(**) Term: **15 Years**

(21) Appl. No.: **29/807,757**

(22) Filed: **Sep. 14, 2021**

(51) **LOC (14) Cl.** **14-01**

(52) **U.S. Cl.**
USPC **D14/225; D14/227**

(58) **Field of Classification Search**
USPC D14/225, 227, 228, 229, 216, 149, 140,
D14/150, 240, 242, 137, 203.1, 496, 212;
D13/168; 381/71.1, 92, 160
CPC . H04R 25/00; H04R 3/00; H04R 1/02; H04R
1/28; H04M 1/20; G09G 5/00
See application file for complete search history.

(56) **References Cited**

U.S. PATENT DOCUMENTS

D257,346 S * 10/1980 Garrigus D23/370
D283,124 S * 3/1986 Kolb D14/210
D289,040 S * 3/1987 Olsen D14/212
D307,274 S * 4/1990 Sasaki D14/243

5,778,085 A * 7/1998 Sasaki H04M 1/20
379/202.01
D413,021 S * 8/1999 Wheatley D10/104.1
5,946,610 A * 8/1999 Hama H01Q 1/22
343/702
6,016,346 A * 1/2000 Rittmueller H04M 1/62
379/420.02

(Continued)

FOREIGN PATENT DOCUMENTS

CN 303338831 S 8/2015
CN 304386562 S 12/2017

(Continued)

OTHER PUBLICATIONS

“Crestron Showroom Tour with Sarah Zohar & Joseph Dossantos,”
retrieved at <https://www.youtube.com/watch?v=-O94mfESw2U>,
retrieved on May 16, 2022, 3 pages.

(Continued)

Primary Examiner — Paula Allen Greene

(74) *Attorney, Agent, or Firm* — Quarles & Brady LLP

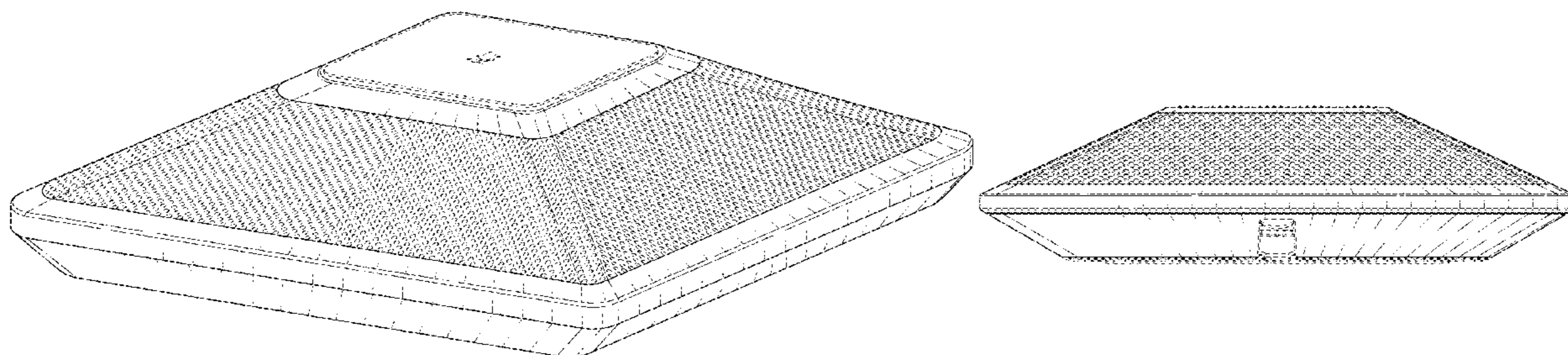
(57) **CLAIM**

The ornamental design for a microphone, as shown and
described.

DESCRIPTION

FIG. 1 is a perspective view of a microphone in accordance
with the new design;
FIG. 2 is a front view of the microphone of FIG. 1;
FIG. 3 is a back view of the microphone of FIG. 1;
FIG. 4 is a right side view of the microphone of FIG. 1;
FIG. 5 is a left side view of the microphone of FIG. 1;
FIG. 6 is a top view of the microphone of FIG. 1; and,
FIG. 7 is a bottom view of the microphone of FIG. 1.
The broken lines in the drawings are directed to portions of
the depicted microphone that form no part of the claimed
design.

1 Claim, 5 Drawing Sheets



(56)

References Cited

U.S. PATENT DOCUMENTS

D532,780 S * 11/2006 Proctor, Jr. D14/240
 D551,206 S 9/2007 Ishida
 D551,208 S 9/2007 Yano
 D573,133 S 7/2008 Milks et al.
 D597,529 S 8/2009 Tan et al.
 D629,794 S * 12/2010 Aarrestad D14/225
 D641,340 S 7/2011 Huh
 D648,689 S * 11/2011 Mehlsen D14/125
 D661,266 S 6/2012 Laube et al.
 D665,687 S 8/2012 Lee et al.
 D679,018 S 3/2013 Fullerton et al.
 D686,201 S * 7/2013 Lee D14/348
 D704,176 S * 5/2014 Kwak D14/240
 D705,748 S * 5/2014 He D14/155
 D710,336 S * 8/2014 Aarrestad D14/227
 D716,772 S * 11/2014 Cavero D14/225
 D720,347 S * 12/2014 Lo D14/348
 D721,754 S 1/2015 Chen
 D724,462 S * 3/2015 Bould D10/106.2
 8,992,102 B1 3/2015 Samuels et al.
 D726,685 S 4/2015 Cheng
 D727,387 S 4/2015 Hasegawa et al.
 D728,657 S 5/2015 Yamashita
 D730,423 S 5/2015 Vandenbussche
 D730,755 S * 6/2015 Bould D10/53
 D738,335 S 9/2015 Shin et al.
 D740,262 S * 10/2015 Hasegawa D14/240
 D742,953 S 11/2015 Li
 D743,373 S 11/2015 Kim et al.
 D756,968 S 5/2016 Huang
 D759,624 S 6/2016 Byrd et al.
 D766,749 S * 9/2016 Fadell D10/53
 D773,547 S 12/2016 Lee et al.
 D782,429 S * 3/2017 Xianda D14/125
 D797,702 S 9/2017 Valeur
 D798,833 S 10/2017 Lee
 D802,560 S 11/2017 Kitazawa
 D803,289 S * 11/2017 Glazer D16/203
 D809,493 S * 2/2018 Konotopskyi D14/242
 D812,560 S * 3/2018 Xu D13/107
 D816,056 S 4/2018 Klein et al.
 D817,332 S * 5/2018 Yaprak D14/432
 D819,607 S * 6/2018 Chui D14/225
 D826,229 S 8/2018 Teo et al.
 D828,342 S * 9/2018 Chen D14/240

D839,263 S * 1/2019 Lee D14/301
 10,284,937 B2 * 5/2019 Nakatsukasa H04R 1/326
 D851,633 S 6/2019 Nakano et al.
 D854,010 S * 7/2019 Deng D14/242
 D858,604 S 9/2019 Clement et al.
 D890,161 S 7/2020 Sreenivas et al.
 D893,575 S 8/2020 Kyte et al.
 D902,879 S 11/2020 Balch et al.
 D905,780 S 12/2020 Zhu et al.
 D909,451 S 2/2021 Hamlin
 D916,045 S 4/2021 Wu
 D917,598 S 4/2021 Ye et al.
 D918,076 S 5/2021 Briggs
 D928,735 S 8/2021 Yoo et al.
 D946,545 S 3/2022 Andresen
 D950,619 S 5/2022 Tai
 D968,374 S * 11/2022 Zhou D14/225
 2002/0149566 A1 * 10/2002 Sarkissian G06F 3/0202
 345/168
 2005/0105259 A1 5/2005 Lee et al.
 2012/0039060 A1 2/2012 Kim
 2012/0039069 A1 2/2012 Yong-Gu
 2015/0198973 A1 7/2015 Le et al.
 2016/0050489 A1 * 2/2016 Lashkari H04R 3/02
 381/66
 2018/0176670 A1 * 6/2018 Nakatsukasa H04R 1/023

FOREIGN PATENT DOCUMENTS

CN 304420802 S 12/2017
 CN 307041656 * 12/2021
 GB 6169161 * 10/2021
 GB 6169162 * 10/2021
 GB 6205834 * 5/2022
 JP 1290933 S 12/2009

OTHER PUBLICATIONS

“Crestron,” retrieved at <https://www.crestron.com/Products/Featured-Solutions/Flex-Homepage>, retrieved on May 16, 2022, 11 pages.
 “Aluratek Portable Full HD 1080p USB Webcam with Autofocus, Mic Support Required (AWC02F),” retrieved at https://www.amazon.com/Aluratek-Portable-Autofocus-Required-AWC02F/dp/B089DHJM7V/ref=sr_1_3?crid=2HOS2CWBRYP17&keywords=aluratek, Mar. 3, 2023, 9 pages.

* cited by examiner

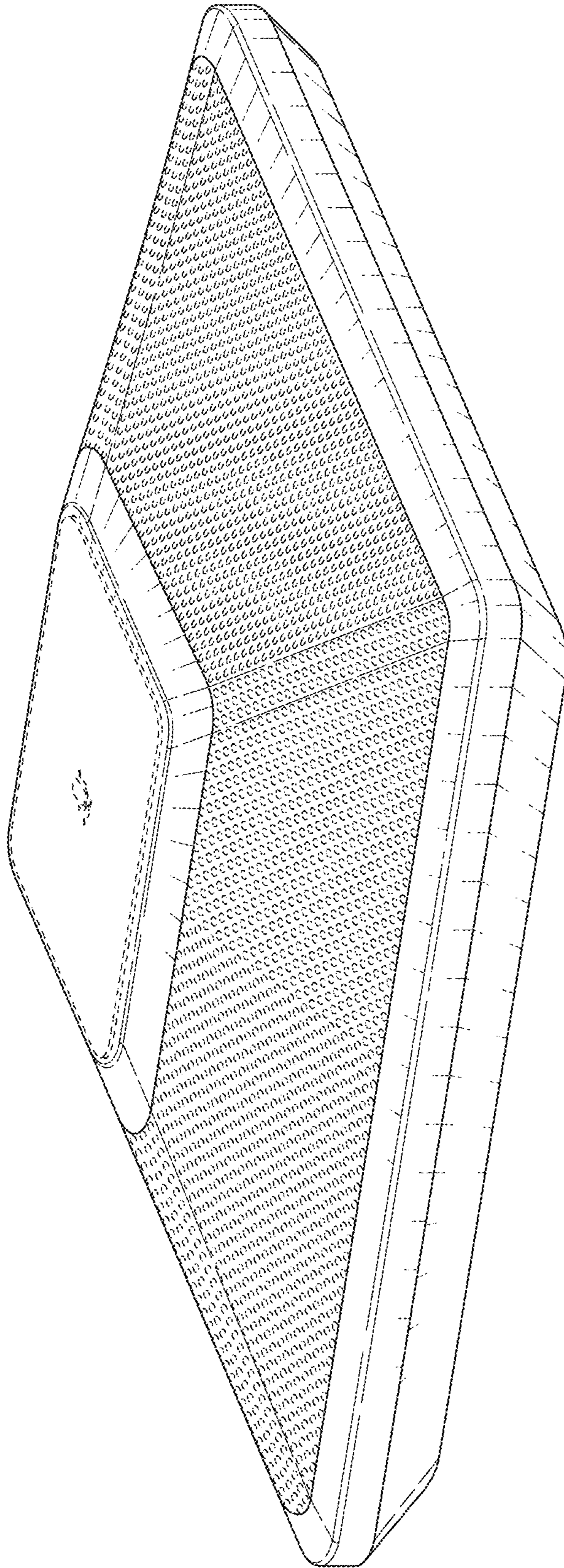


FIG. 1

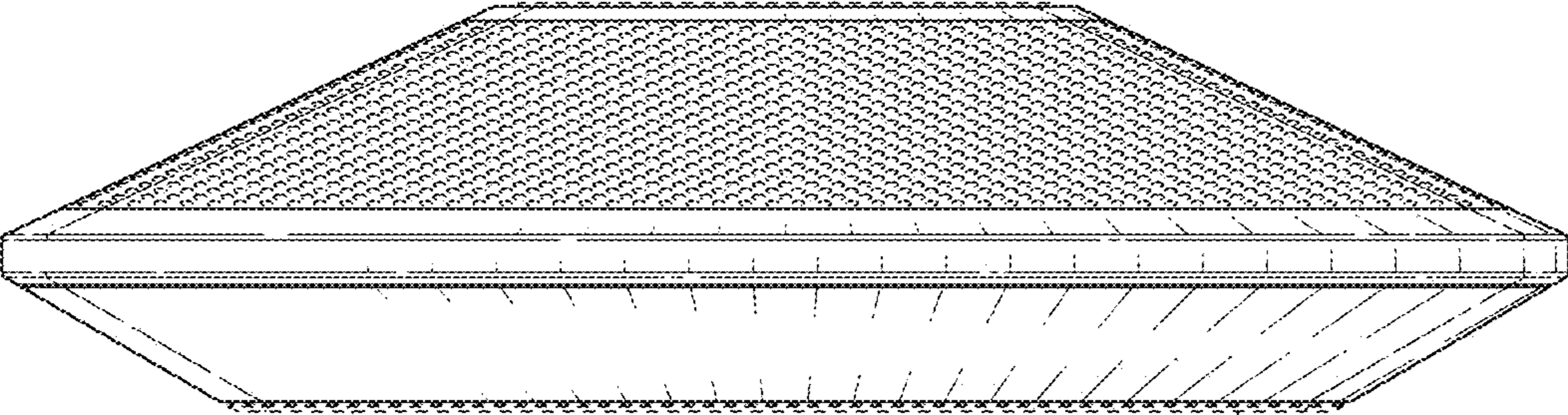


FIG. 2

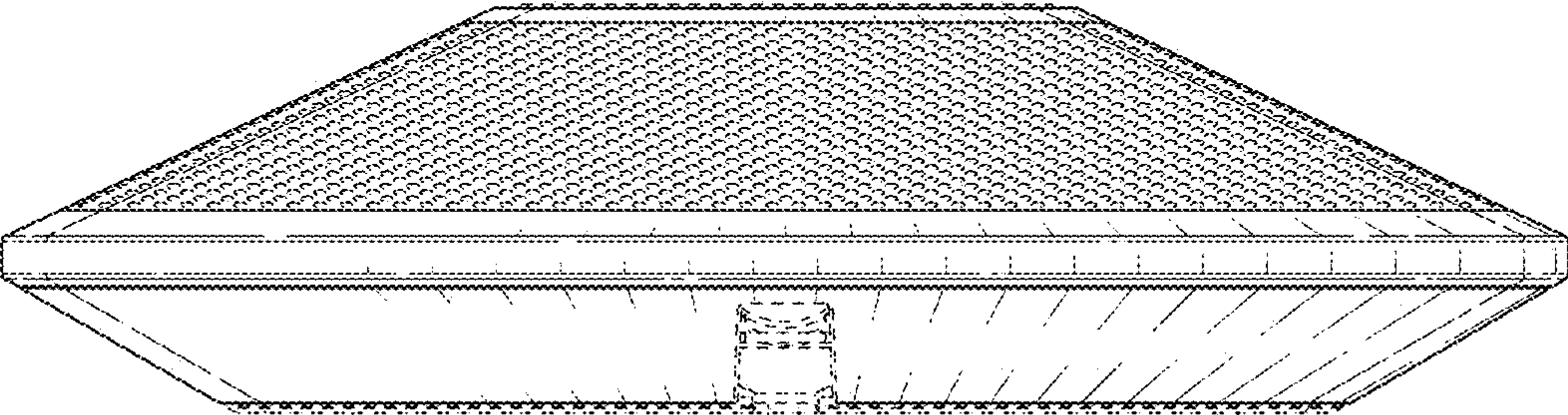


FIG. 3

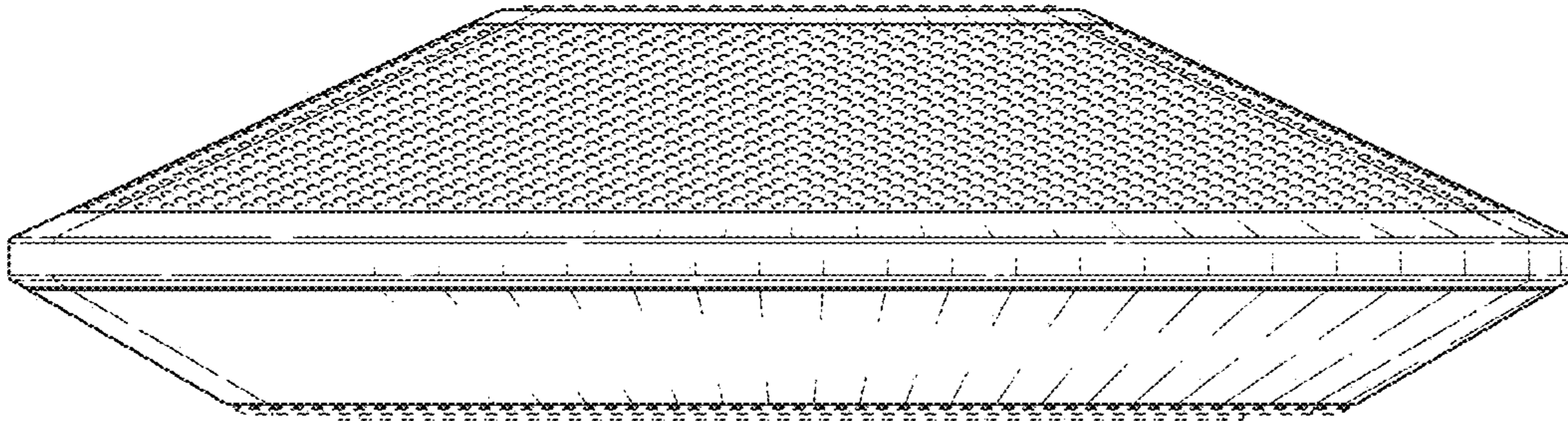


FIG. 4

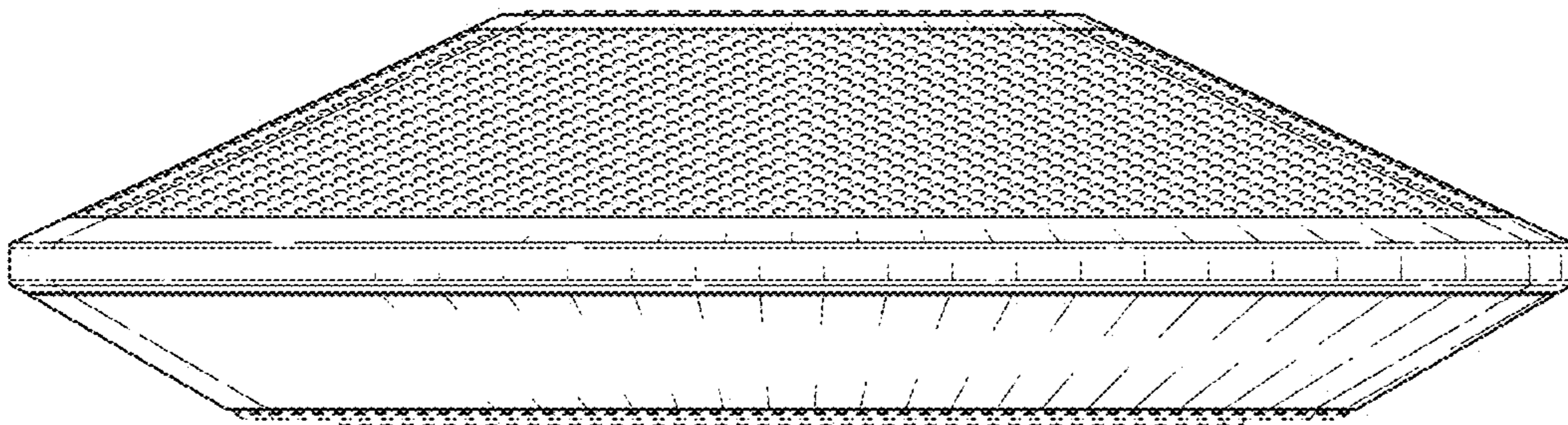


FIG. 5

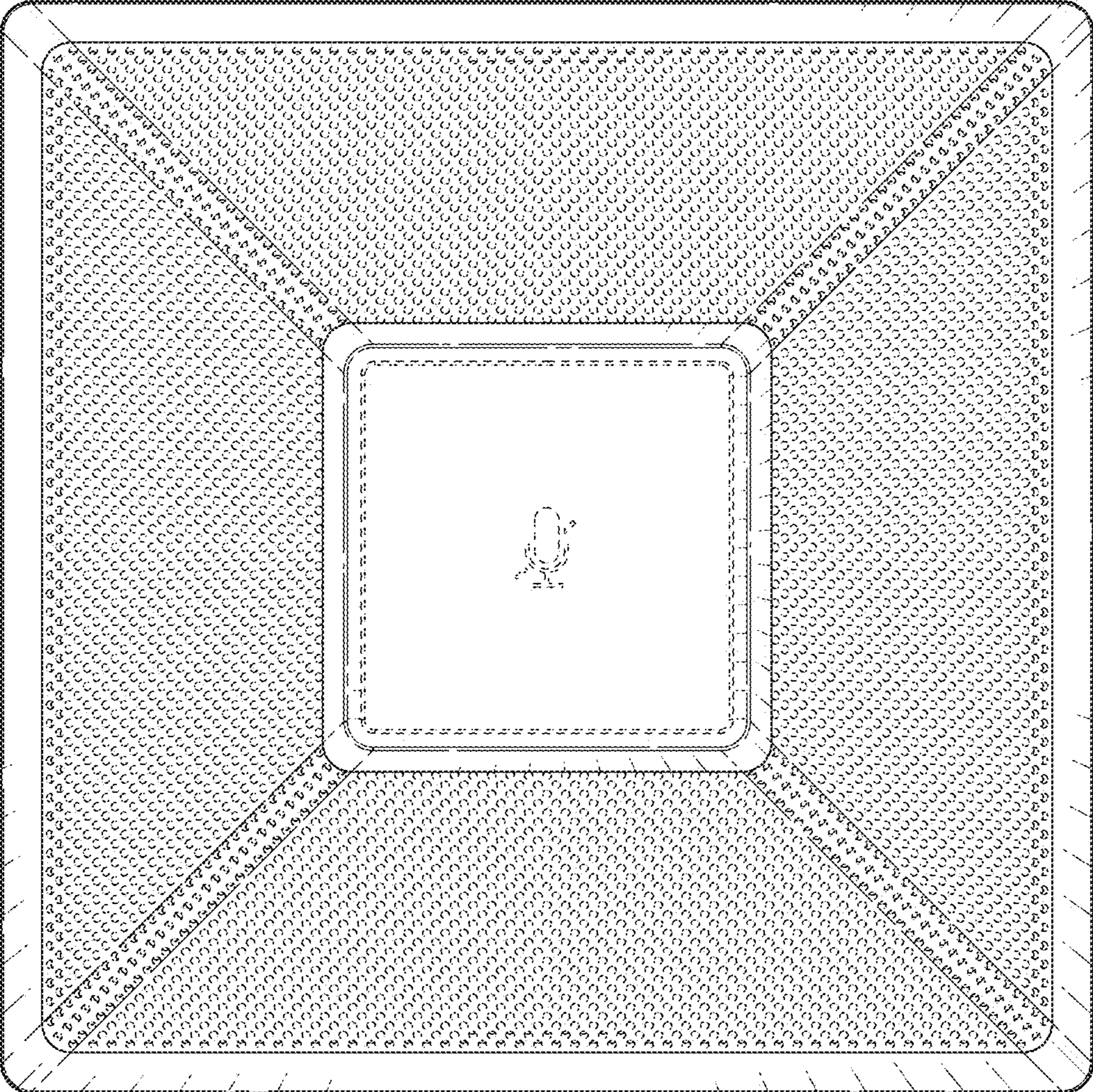


FIG. 6

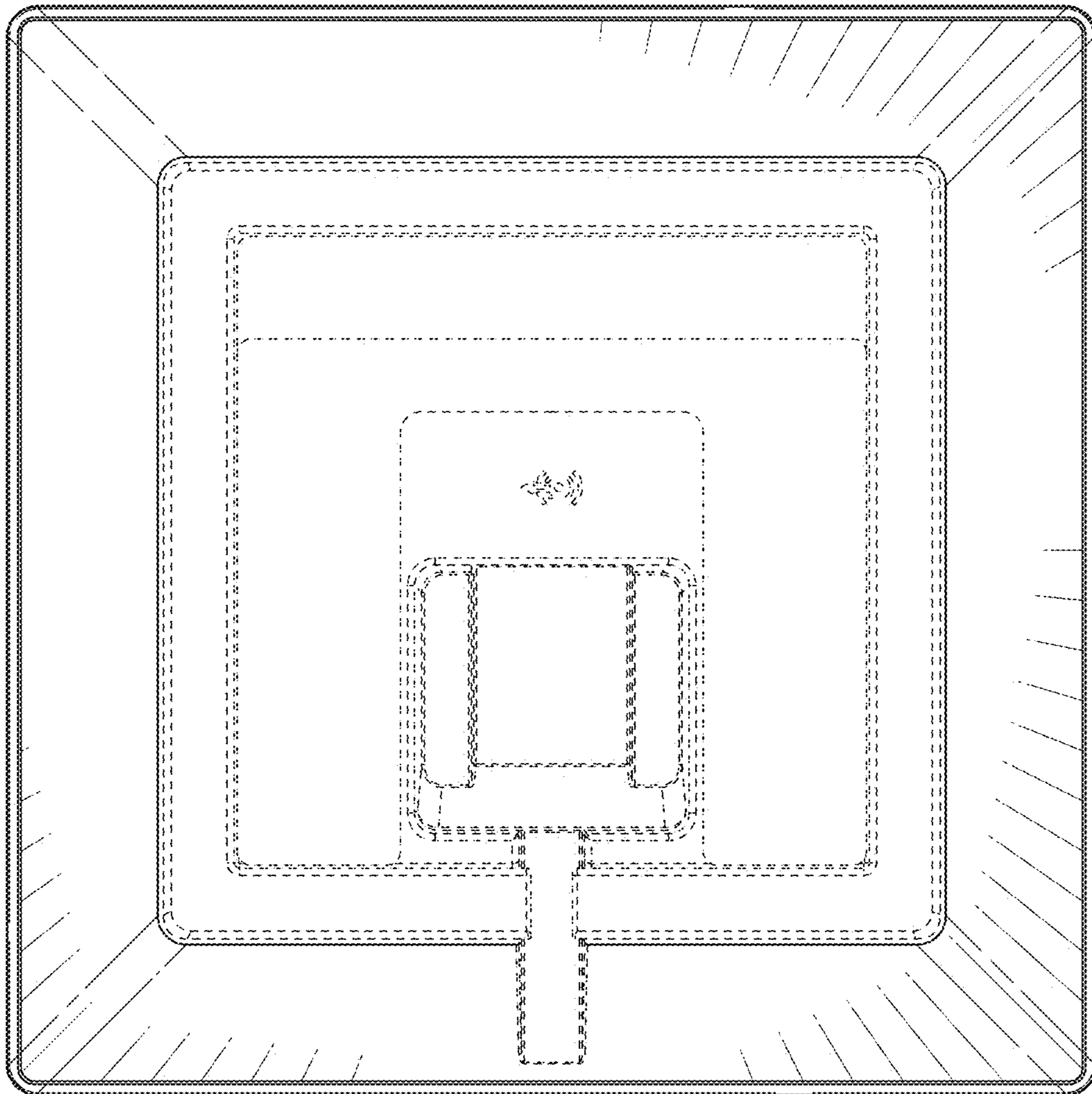


FIG. 7