



US00D989044S

(12) **United States Design Patent**
Guo

(10) **Patent No.:** **US D989,044 S**
(45) **Date of Patent:** **** Jun. 13, 2023**

- (54) **WIRELESS EARPHONE**
- (71) Applicant: **SHENZHEN HUOER TECHNOLOGY CO, LTD**, Shenzhen (CN)
- (72) Inventor: **Shuiping Guo**, Jishui (CN)
- (73) Assignee: **SHENZHEN HUOER TECHNOLOGY CO, LTD**, Shenzhen (CN)

- D586,333 S * 2/2009 Tkachuk D14/223
- D597,084 S * 7/2009 Gondo D14/223
- D603,378 S * 11/2009 Paradise D14/223
- D617,778 S * 6/2010 Birger D14/223
- D628,989 S * 12/2010 Lee D14/223
- D635,960 S * 4/2011 Gondo D14/223
- D707,659 S * 6/2014 Henning D14/223
- D718,283 S * 11/2014 Thompson D14/223
- D743,946 S * 11/2015 Brunner D14/223

(Continued)

- (**) Term: **15 Years**
- (21) Appl. No.: **29/868,785**
- (22) Filed: **Dec. 14, 2022**

FOREIGN PATENT DOCUMENTS

- EM 003612266-0004 * 1/2017
- EM 008862395-0001 * 2/2022
- GB 9008053755-0001 * 7/2020

Primary Examiner — Paula Allen Greene

(74) *Attorney, Agent, or Firm* — Vladimir Postnikov

(30) **Foreign Application Priority Data**

Sep. 22, 2022 (CN) 202230628592.7

- (51) **LOC (14) Cl.** **14-01**
- (52) **U.S. Cl.**
USPC **D14/223**

(58) **Field of Classification Search**

USPC D14/223, 205; D24/174; 128/864–866;
381/380–381
CPC H04R 1/10; H04R 25/00; H04R 1/105;
H04R 1/1016; H04R 1/1066; H04R
5/033; H04R 5/0335; H04R 1/1083;
H04R 1/1091; H04R 1/1033
See application file for complete search history.

(57) **CLAIM**

The ornamental design for a wireless earphone, as shown and described.

DESCRIPTION

FIG. 1 is a front elevation view of a wireless earphone showing the new design;
FIG. 2 is a back elevation view thereof;
FIG. 3 is a left-side view thereof;
FIG. 4 is a right-side view thereof;
FIG. 5 is a top plan view thereof;
FIG. 6 is a bottom plan view thereof;
FIG. 7 is a top-right perspective view thereof; and,
FIG. 8 is a back, left-side and bottom perspective view thereof.

The broken lines depict portions of the article that form no part of the claimed design.

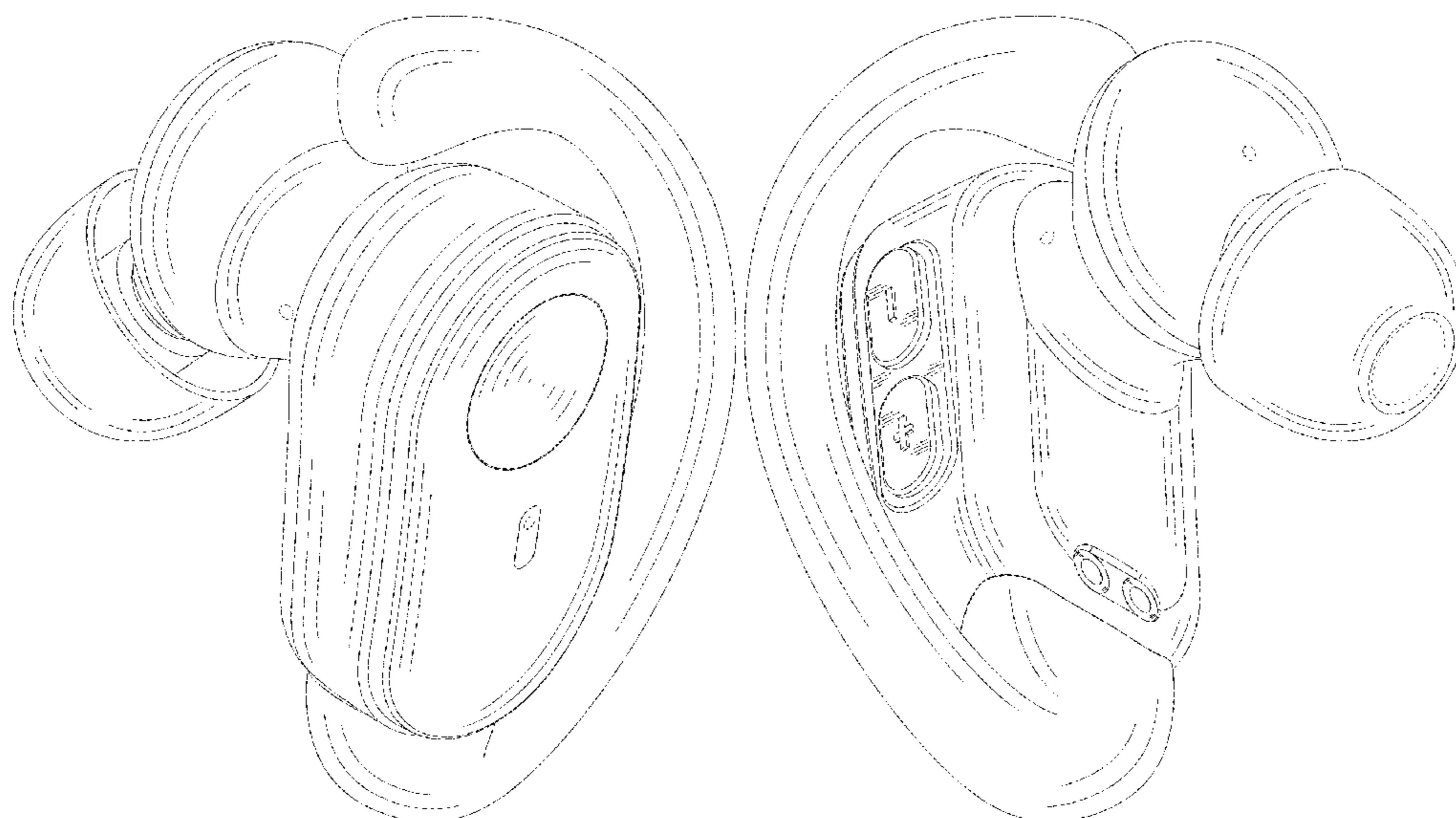
Dash-dot boundary lines separate claimed portions of the design to unclaimed portions of the design. Portions of the design encircled in dashed-dot boundary lines are unclaimed portions of the design.

(56) **References Cited**

U.S. PATENT DOCUMENTS

- 5,317,247 A * 5/1994 Chong H01M 50/209
320/112
- D512,049 S * 11/2005 Yang D14/223
- D542,267 S * 5/2007 Cha D14/206
- D543,968 S * 6/2007 Wong D14/223
- D550,215 S * 9/2007 Udagawa D14/223
- D559,836 S * 1/2008 Lee D14/223
- D573,582 S * 7/2008 Ma D14/223
- D581,396 S * 11/2008 Wikel D14/206

1 Claim, 8 Drawing Sheets



(56)

References Cited

U.S. PATENT DOCUMENTS

D796,490 S * 9/2017 Lian D14/223
 9,949,014 B2 * 4/2018 Cramer G06F 3/165
 D817,305 S * 5/2018 Hsieh D14/206
 D838,692 S * 1/2019 Fu D14/223
 D843,344 S * 3/2019 Zhu D14/205
 D843,971 S * 3/2019 Xu D14/206
 D863,263 S * 10/2019 Yu D14/223
 D878,338 S * 3/2020 Yang D14/223
 D881,850 S * 4/2020 Zhang D14/223
 D883,259 S * 5/2020 Ma D14/206
 D885,370 S * 5/2020 Hu D14/223
 D885,372 S * 5/2020 Wang D14/223
 D888,022 S * 6/2020 McCune D14/223
 D888,023 S * 6/2020 Gao D14/223
 D888,685 S * 6/2020 Lin D14/205
 D888,690 S * 6/2020 Yan D14/223
 D889,440 S 7/2020 Yan
 D890,137 S * 7/2020 Ma D14/223
 D890,726 S * 7/2020 Park D14/223
 D899,406 S * 10/2020 Ma D14/223
 D902,891 S * 11/2020 Liu D14/223
 D904,761 S * 12/2020 Koneru D3/274
 D904,762 S * 12/2020 Koneru D3/274
 10,880,632 B1 * 12/2020 Boyd H04R 1/06
 D907,608 S * 1/2021 Xie D14/223
 D912,011 S 3/2021 Zhao
 D912,015 S * 3/2021 Xie D14/223
 D915,356 S * 4/2021 Gao D14/223
 D915,357 S * 4/2021 Gao D14/223
 D916,055 S * 4/2021 Xiao D14/223
 D916,056 S * 4/2021 Boyd D14/223

D916,057 S * 4/2021 Boyd D14/223
 D916,461 S * 4/2021 Chang D3/294
 D918,179 S * 5/2021 Zhao D14/223
 D919,594 S * 5/2021 Ott D14/223
 D919,595 S * 5/2021 Ott D14/223
 D920,958 S * 6/2021 Ye D14/223
 D920,959 S * 6/2021 Cai D14/223
 D925,494 S * 7/2021 Zhang D14/223
 D925,495 S * 7/2021 Liu D14/223
 D928,123 S * 8/2021 Gao D14/223
 D936,636 S * 11/2021 Lin D14/223
 D941,277 S * 1/2022 Xie D14/223
 D952,343 S * 5/2022 Liang D3/301
 D954,029 S * 6/2022 Guo D14/223
 D965,567 S * 10/2022 Li D14/223
 D965,568 S * 10/2022 Hong D14/223
 D967,071 S * 10/2022 Wu D14/223
 D967,805 S 10/2022 Hong
 D967,806 S * 10/2022 Cai D14/223
 D967,808 S * 10/2022 Tan D14/223
 D973,037 S * 12/2022 Rose D14/223
 D974,335 S * 1/2023 Ma D14/223
 D975,683 S * 1/2023 Koneru D14/223
 2015/0330478 A1 * 11/2015 Grewal F16G 11/14
 381/384
 2017/0105679 A1 * 4/2017 Gil A61B 5/332
 2018/0146280 A1 * 5/2018 Tang H04R 1/1091
 2020/0100011 A1 * 3/2020 Bruss H04R 1/1016
 2020/0314518 A1 * 10/2020 Hatfield H04R 1/1041
 2020/0413179 A1 * 12/2020 Boyd H04R 1/1066
 2021/0092504 A1 * 3/2021 Kamimura H04R 1/1016
 2021/0195312 A1 * 6/2021 Woo H04R 1/1058
 2021/0281939 A1 * 9/2021 Yuen H04R 1/105
 2022/0095029 A1 * 3/2022 Zheng H04R 1/105

* cited by examiner

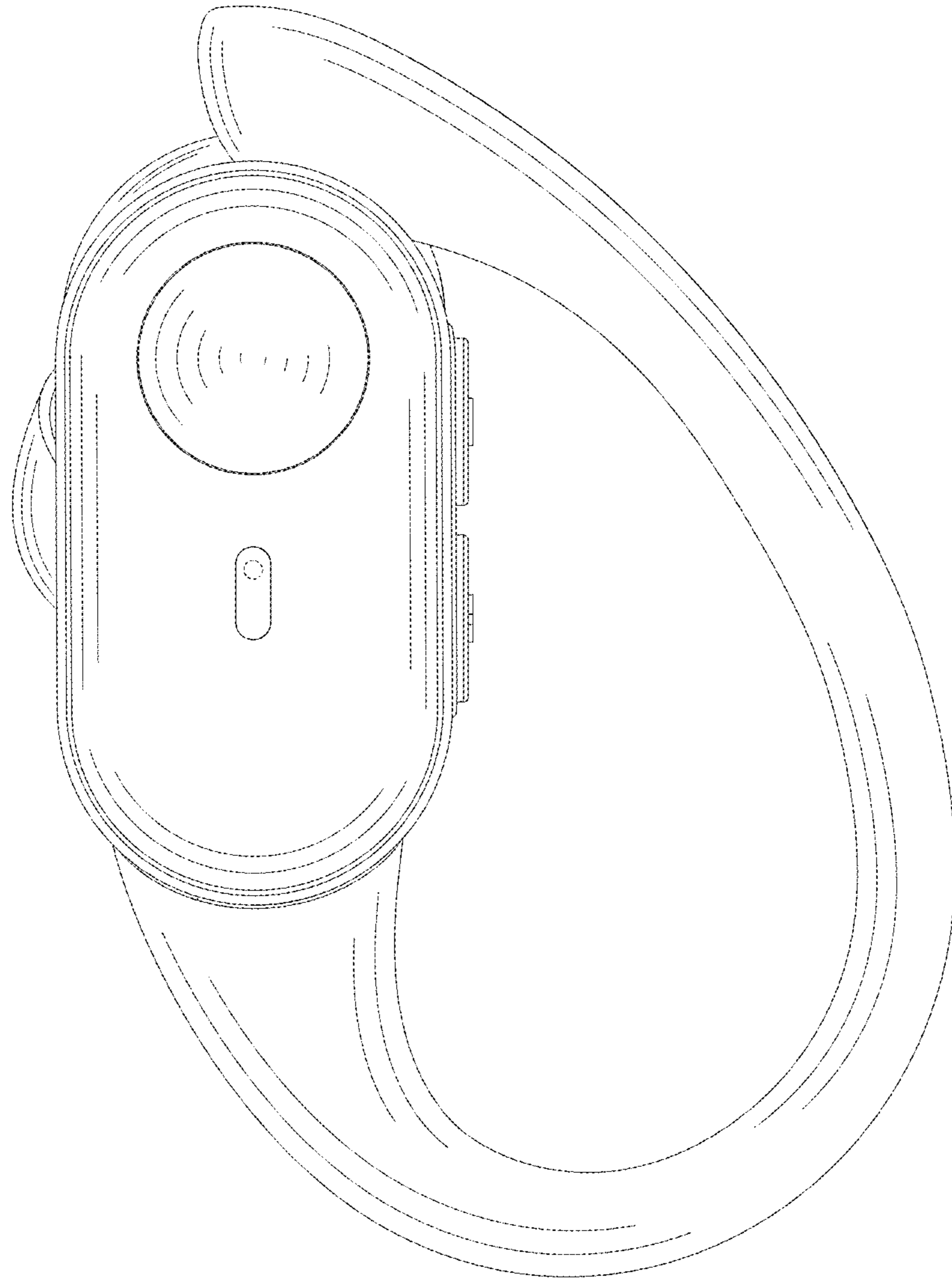


FIG. 1

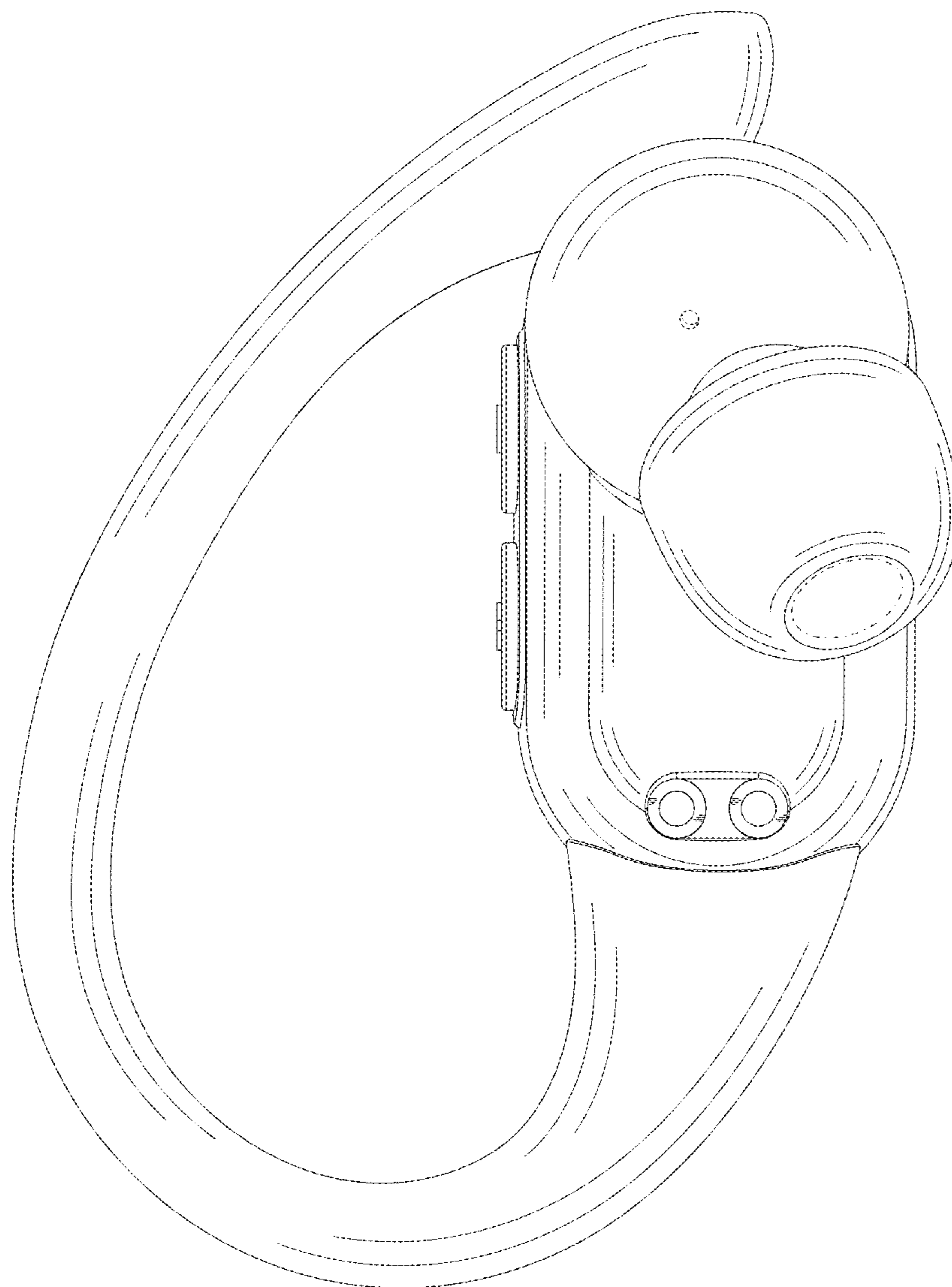


FIG. 2

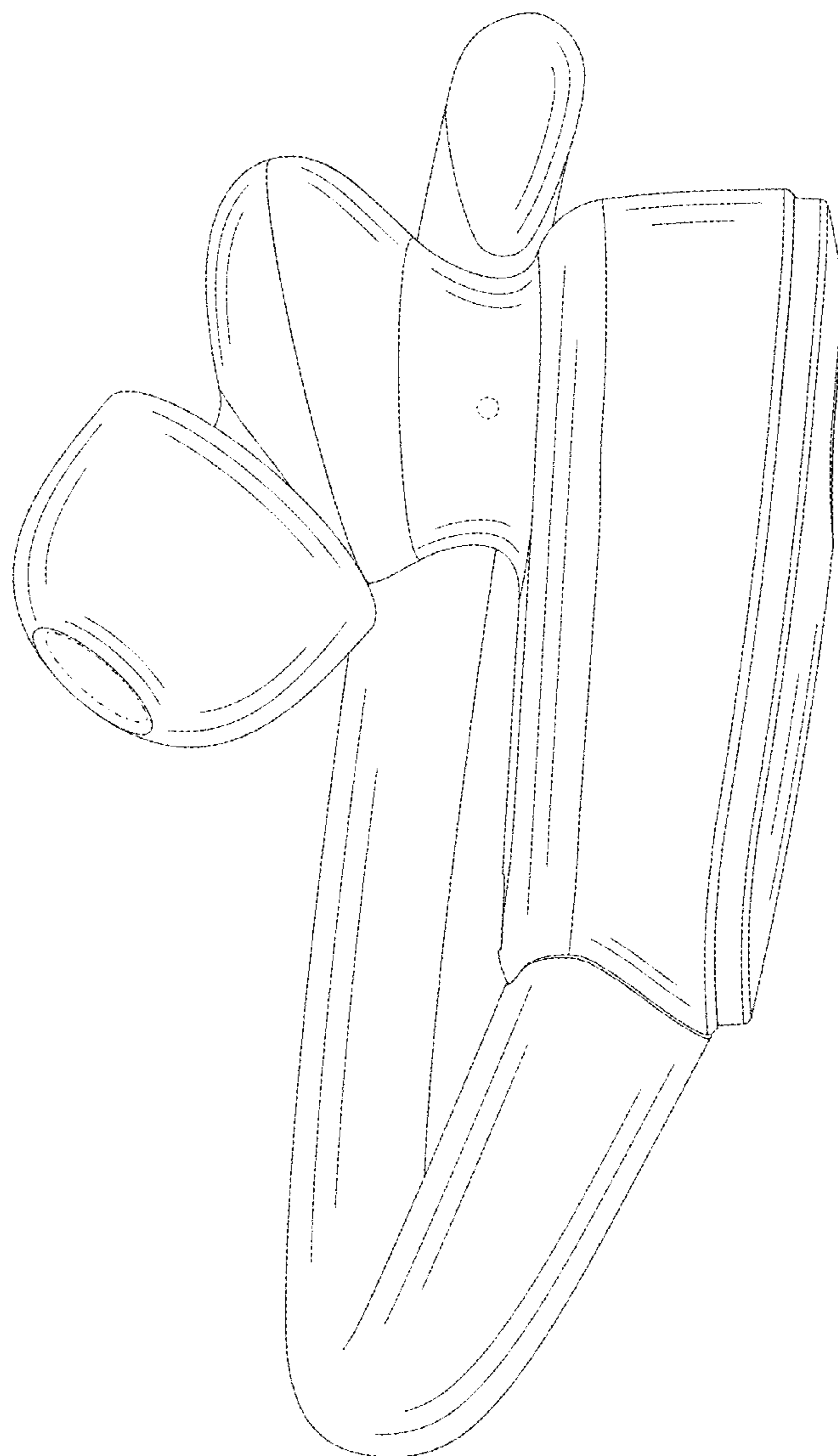


FIG. 3

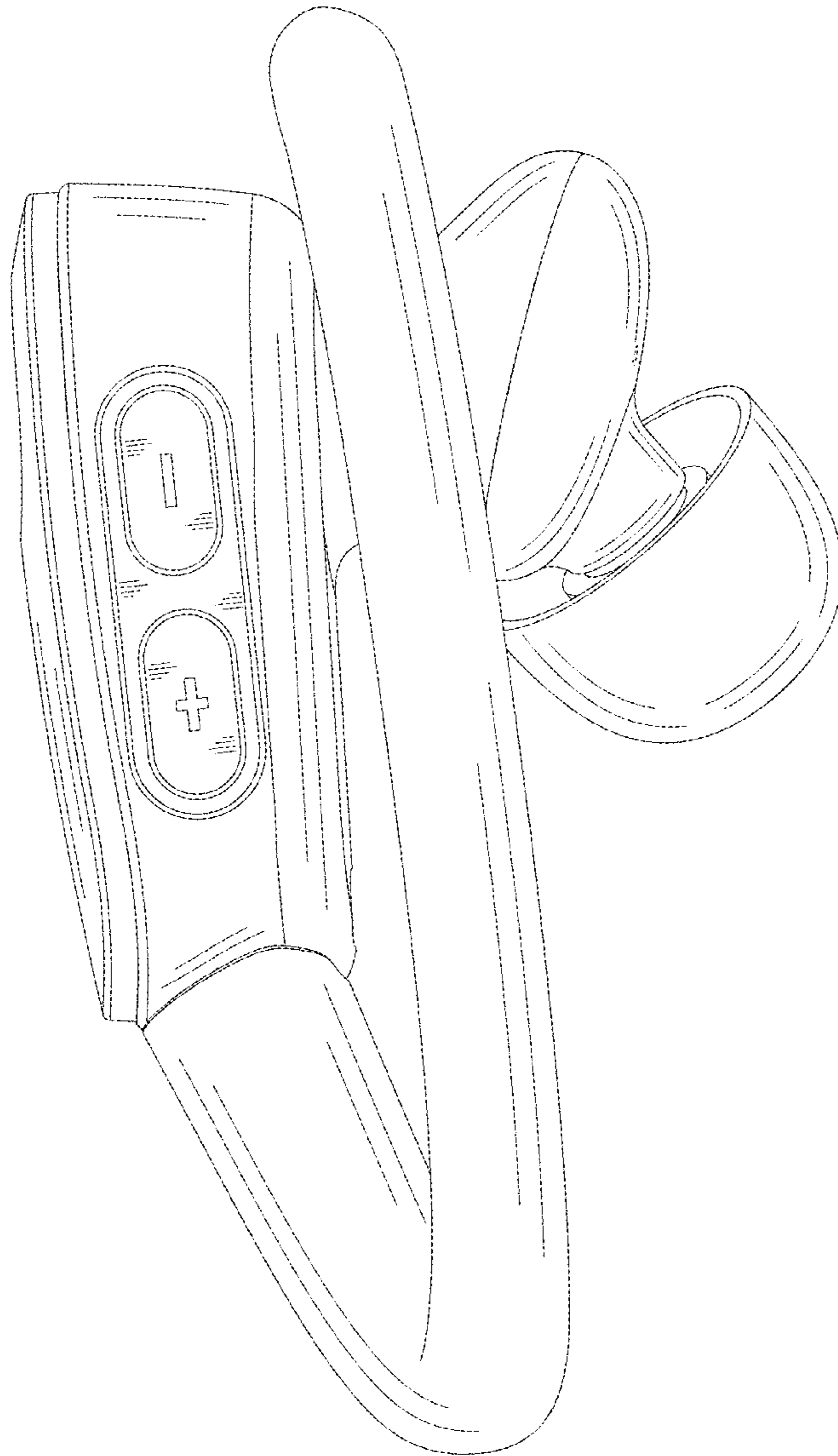


FIG. 4

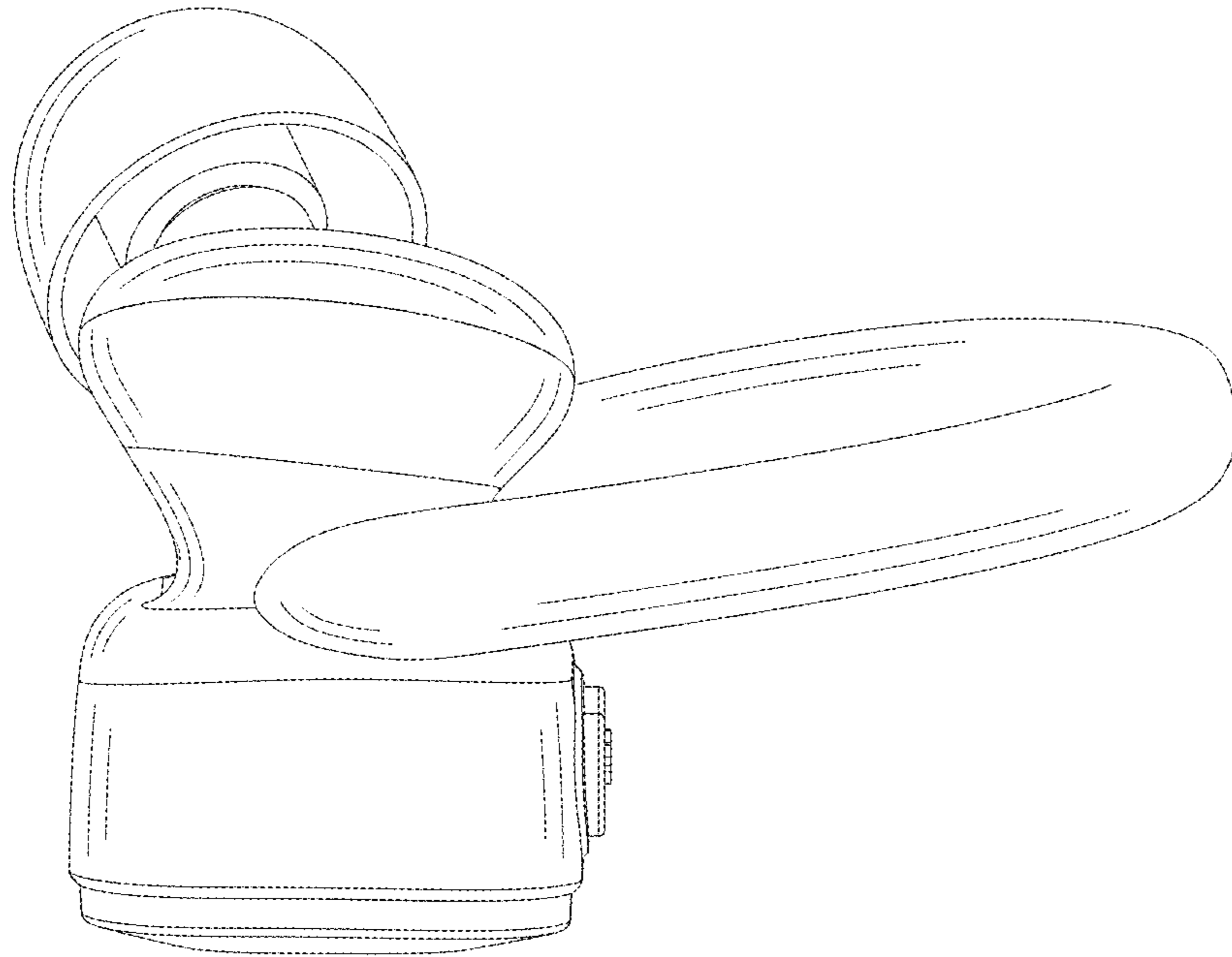


FIG. 5

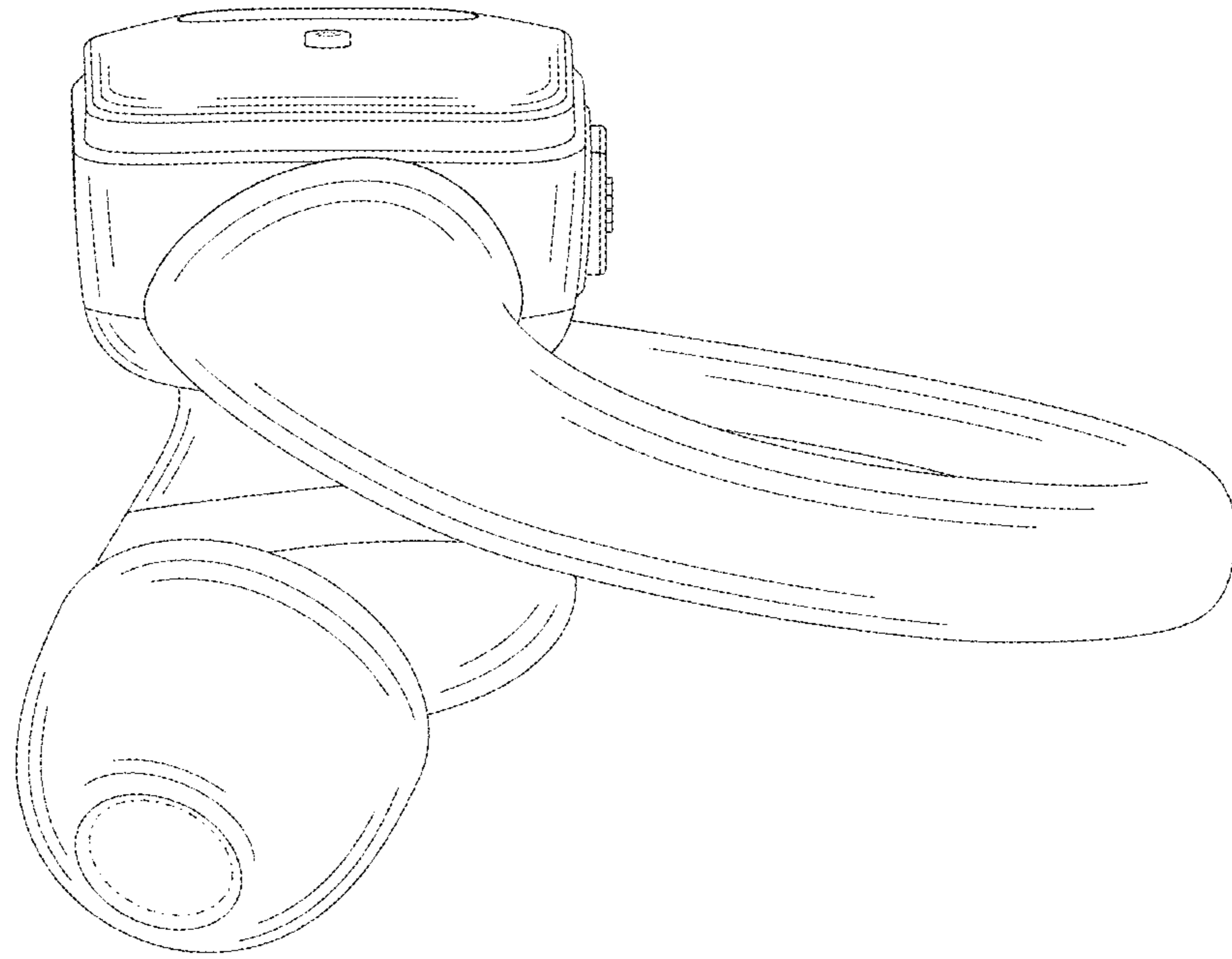


FIG. 6

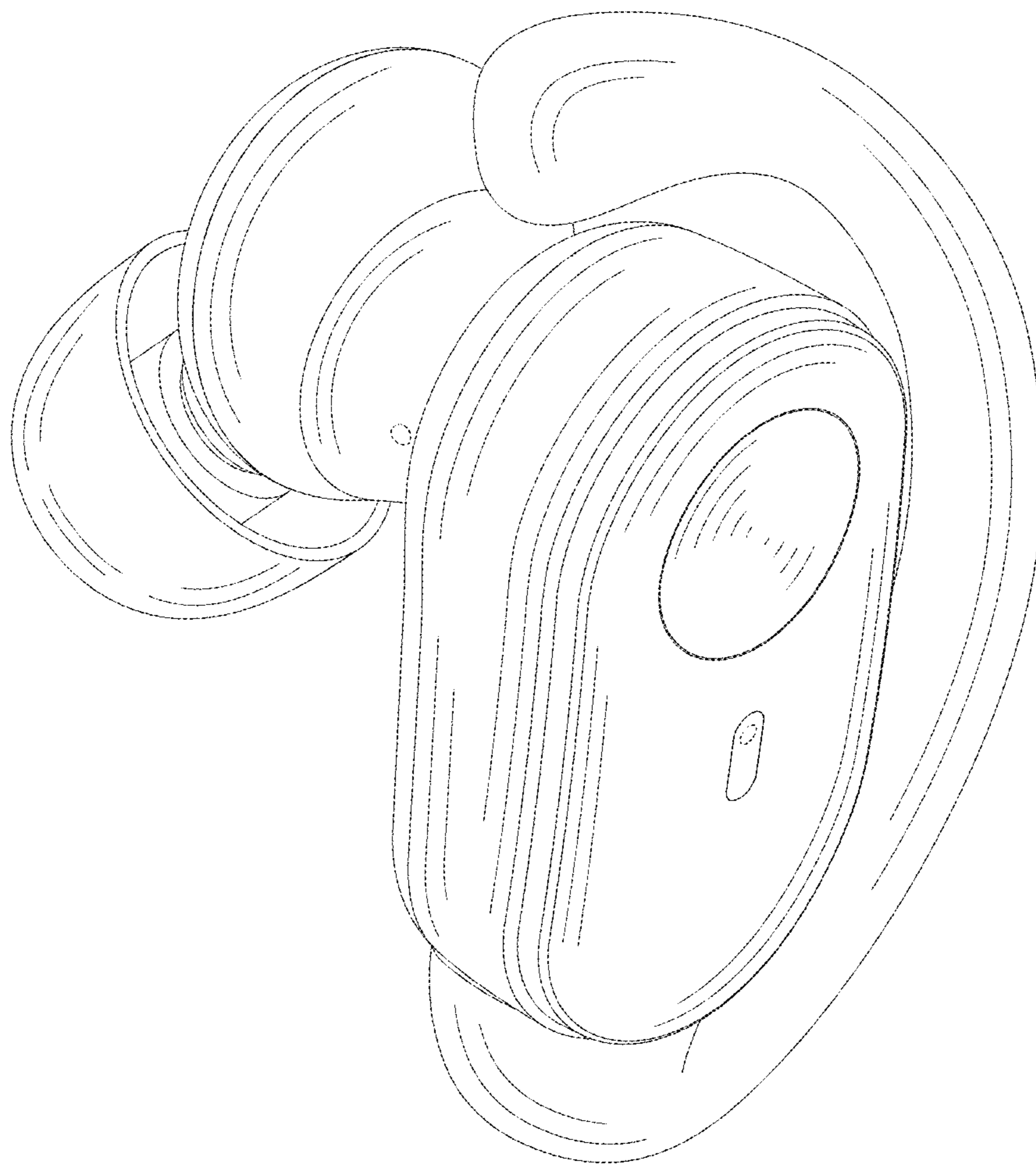


FIG. 7

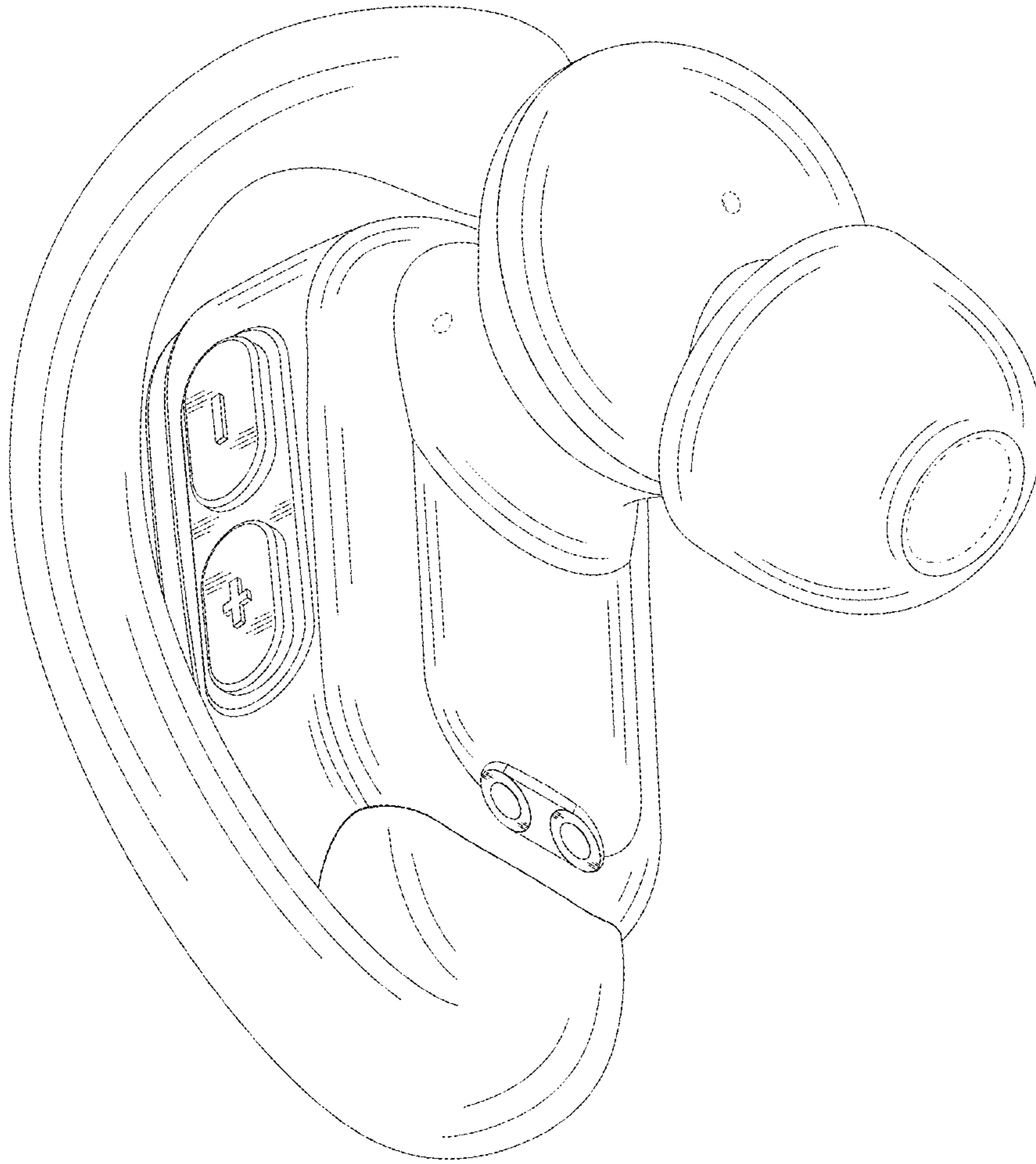


FIG. 8