



US00D989043S

(12) **United States Design Patent** (10) **Patent No.:** **US D989,043 S**
Levine et al. (45) **Date of Patent:** **** Jun. 13, 2023**

(54) **EARPHONE**
(71) Applicant: **New Audio LLC**, New York, NY (US)
(72) Inventors: **Jonathan Levine**, New York, NY (US);
Thomas C. Wilson, New York, NY (US); **Marten Walby**, New York, NY (US); **Zachary Hellman**, New York, NY (US); **Clayton Pipkin**, Highland Park, NJ (US)

(73) Assignee: **New Audio LLC**, New York, NY (US)

(**) Term: **15 Years**

(21) Appl. No.: **29/768,126**

(22) Filed: **Jan. 27, 2021**

(51) **LOC (14) Cl.** **14-01**

(52) **U.S. Cl.**
USPC **D14/223**

(58) **Field of Classification Search**
USPC D14/205, 206, 223; D24/174;
128/864-866; 381/380-381, 370
CPC H04R 1/10; H04R 1/1066; H04R 1/1016;
H04R 5/033; H04R 5/0335; H04R 1/105;
H04R 1/1058

See application file for complete search history.

(56) **References Cited**

U.S. PATENT DOCUMENTS

D208,784 S 10/1967 Sanzone et al.
D568,302 S 5/2008 Oh
7,986,803 B1 7/2011 DeKalb
D719,549 S 12/2014 Henry et al.
D728,107 S 4/2015 Torres
D745,862 S 12/2015 Otani et al.
D755,158 S 5/2016 Lee et al.
D780,155 S 2/2017 Levine et al.
D801,950 S 11/2017 Otani et al.
D813,205 S 3/2018 Palmborg et al.
D817,309 S 5/2018 Czaniecki et al.

D818,989 S 5/2018 Silva et al.
D820,810 S 6/2018 Levine et al.
D822,646 S 7/2018 Dang et al.
D823,835 S 7/2018 Loermann et al.
D824,371 S 7/2018 Loermann
D853,994 S * 7/2019 Lin D14/223
(Continued)

FOREIGN PATENT DOCUMENTS

CN 304420636 * 12/2017
CN 305504147 * 12/2019

(Continued)

OTHER PUBLICATIONS

True Wireless Earphones, posted © 2018 [online], retrieved Dec. 6, 2018, retrieved from internet, <<https://www.masterdynamic.com/products/mw07-true-wireless-earphones>>.

(Continued)

Primary Examiner — Paula Allen Greene
(74) *Attorney, Agent, or Firm* — Holzer Patel Drennan

(57) **CLAIM**

The ornamental design for an earphone, as shown and described.

DESCRIPTION

FIG. 1 is a perspective view of an earphone showing our new design;

FIG. 2 is a bottom perspective view thereof;

FIG. 3 is a side elevational view thereof;

FIG. 4 is an opposite side elevational view thereof;

FIG. 5 is a front elevational view thereof;

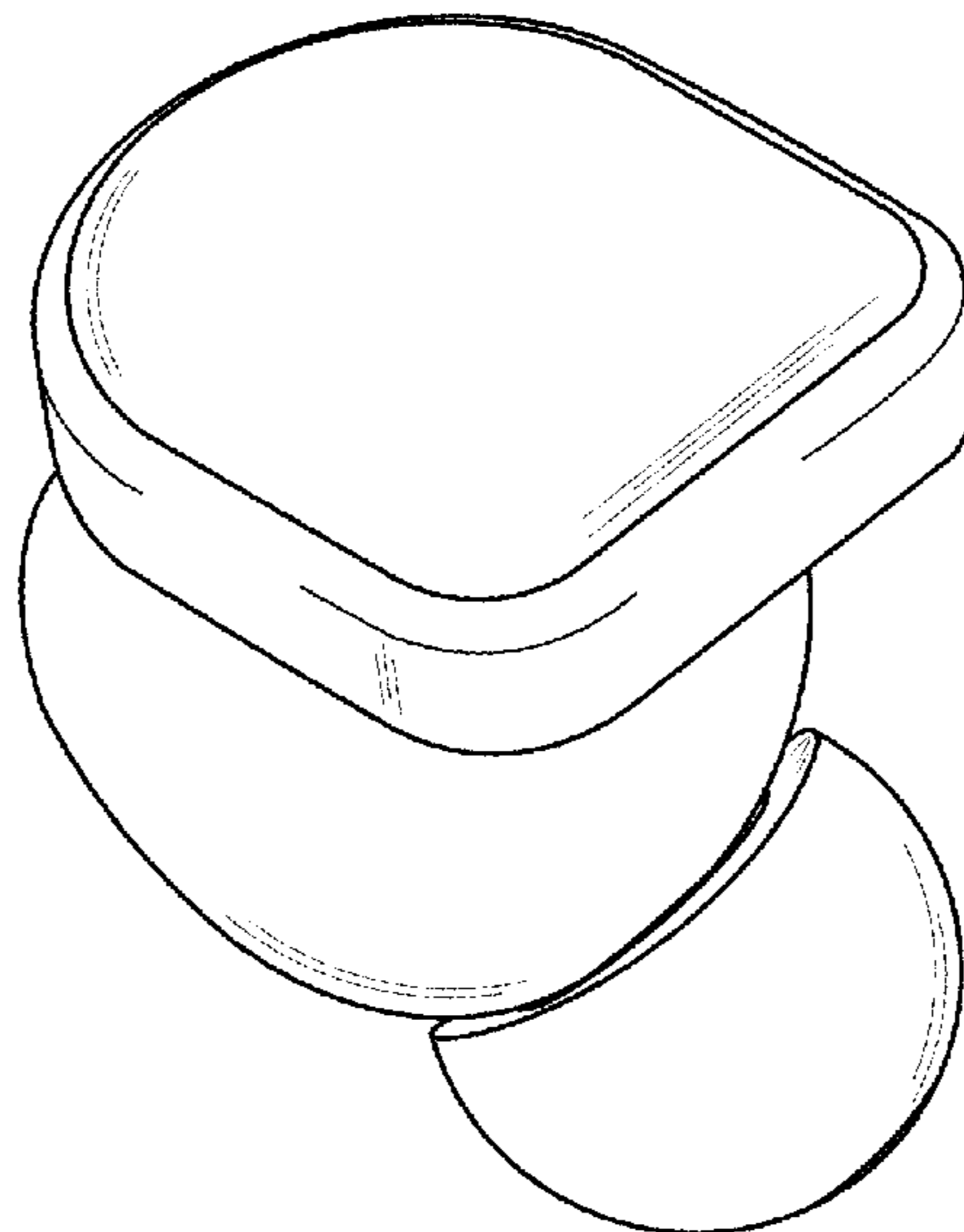
FIG. 6 is a back elevational view thereof;

FIG. 7 is a top view thereof; and,

FIG. 8 is a bottom view thereof.

The broken lines depict portions of the earphone that form no part of the claimed design.

1 Claim, 8 Drawing Sheets



(56)

References Cited

U.S. PATENT DOCUMENTS

D860,975 S * 9/2019 Briggs D14/223
 D872,063 S * 1/2020 Arimoto D14/223
 D883,257 S * 5/2020 Duddy D14/223
 D892,087 S * 8/2020 Briggs D14/223
 D894,158 S * 8/2020 Gu D14/223
 D894,160 S * 8/2020 Andrevski D14/223
 D895,580 S * 9/2020 Yu D14/223
 D895,806 S * 9/2020 Zheng D24/174
 D896,205 S * 9/2020 Zhang D14/223
 D896,969 S * 9/2020 Yu D24/174
 D897,996 S * 10/2020 Mei D14/223
 D899,405 S * 10/2020 Vaclavik D14/223
 D900,064 S * 10/2020 Laffon de Mazieres D14/223
 D920,288 S * 5/2021 Vautour D14/223
 D922,984 S * 6/2021 Li D14/223
 D926,162 S * 7/2021 Dang D14/223
 D926,163 S * 7/2021 Williamson D14/223
 D929,966 S * 9/2021 Arimoto D14/223
 D930,617 S * 9/2021 Tanaka D14/223
 D934,840 S * 11/2021 Takubo D14/223
 D934,841 S * 11/2021 Takubo D14/223
 D941,275 S * 1/2022 Liu D14/223

D949,130 S * 4/2022 Loermann D14/223
 D954,026 S * 6/2022 Sasaki D14/223
 D954,683 S * 6/2022 Huang D14/223
 D959,411 S * 8/2022 Ando D14/223
 2003/0174853 A1 9/2003 Howes et al.
 2016/0249133 A1 8/2016 Sorensen
 2017/0195772 A1* 7/2017 Han A61B 5/6817
 2018/0221209 A1 8/2018 Ogut et al.
 2018/0332379 A1 11/2018 McGarry et al.
 2019/0200112 A1* 6/2019 Briggs H04R 1/105
 2020/0021905 A1* 1/2020 Briggs H04R 1/1066

FOREIGN PATENT DOCUMENTS

CN 305715441 * 4/2020
 CN 306391028 * 3/2021

OTHER PUBLICATIONS

Master & Dynamic MW07 True Wireless Earphones, posted Sep. 19, 2018 [online], retrieved Dec. 6, 2018, retrieved from internet, <<https://www.amazon.com/Master-Dynamic-Earphones-Connectivity-Tortoiseshell/dp/B07H8S4N36>>.

* cited by examiner

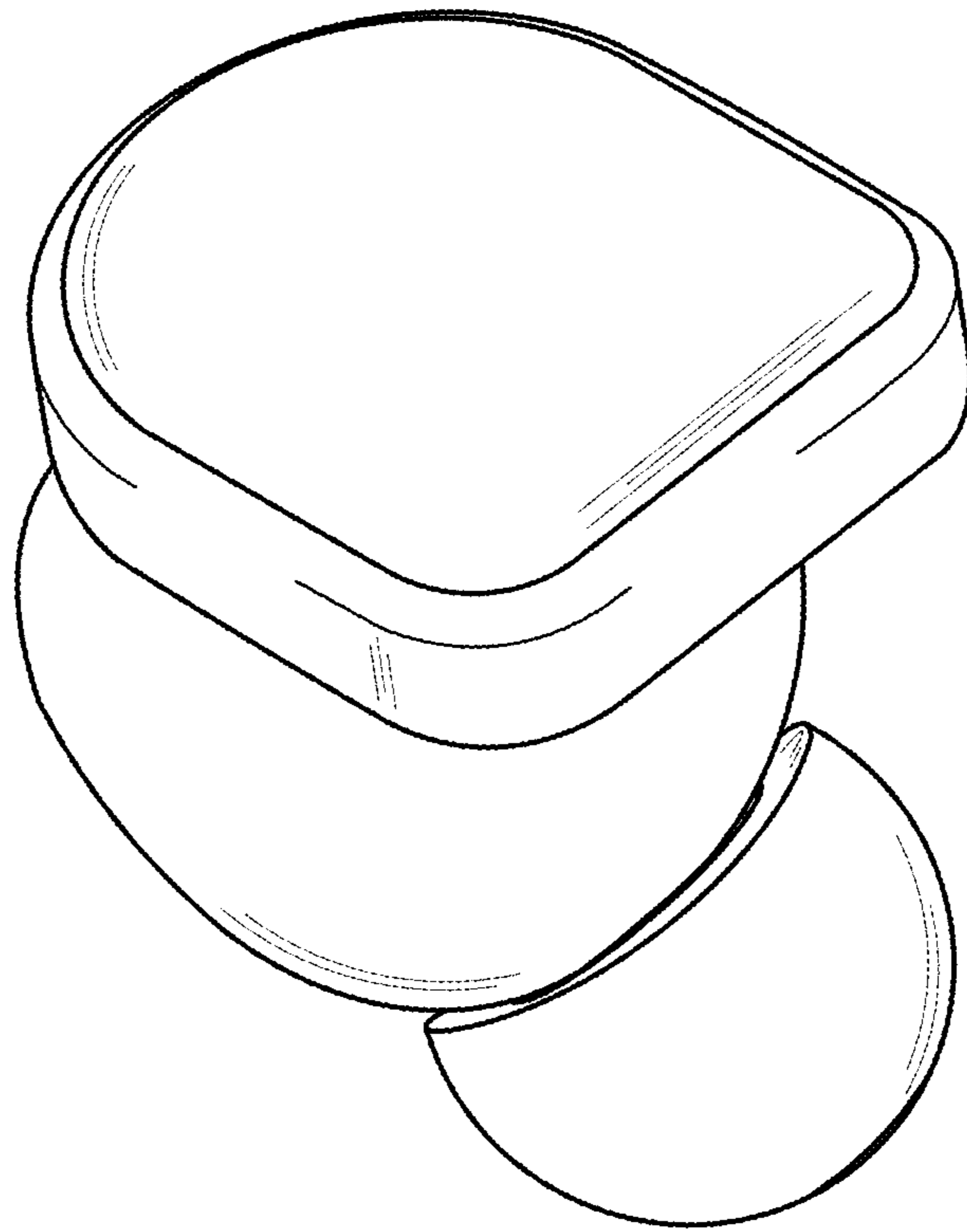


FIG. 1

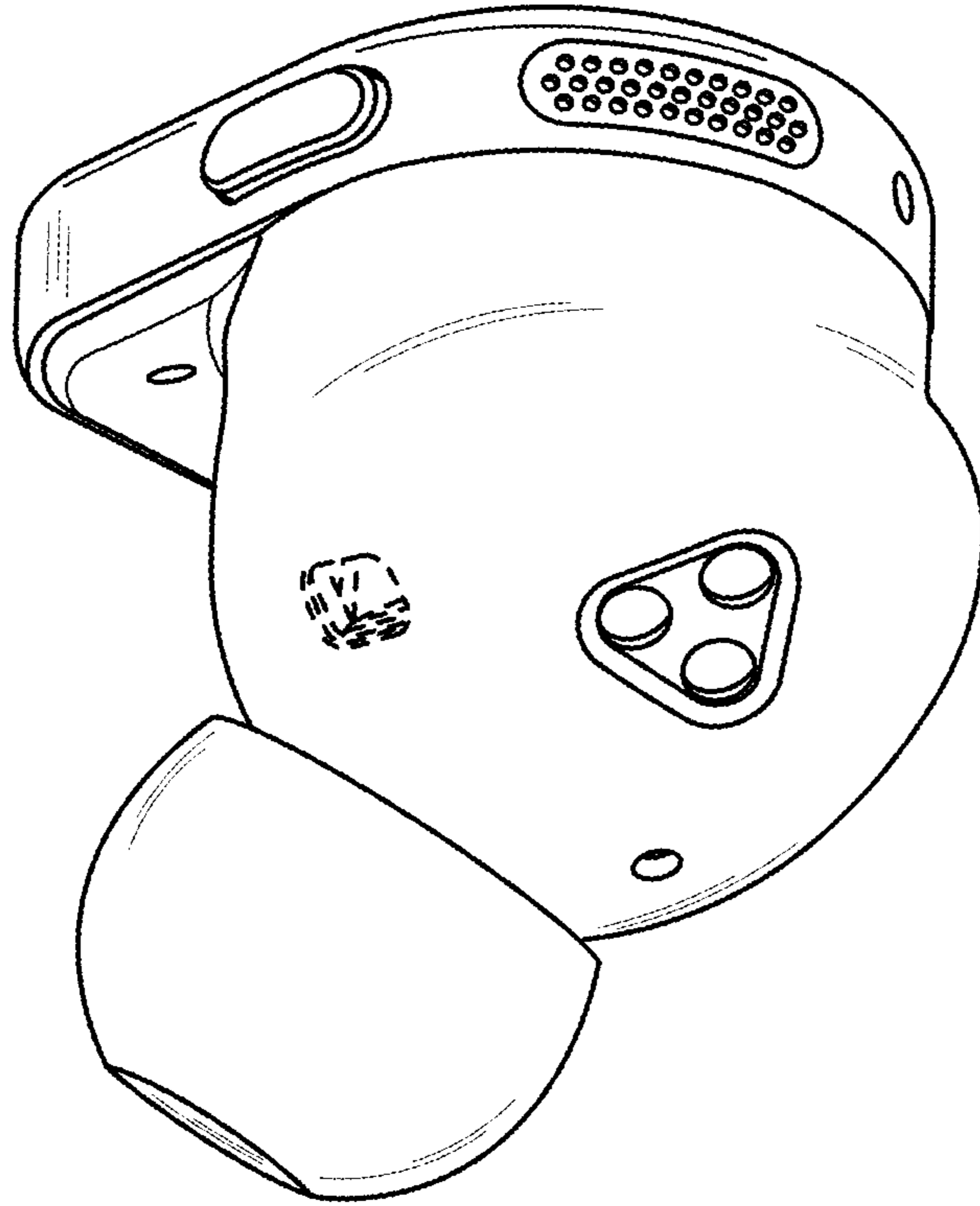


FIG. 2

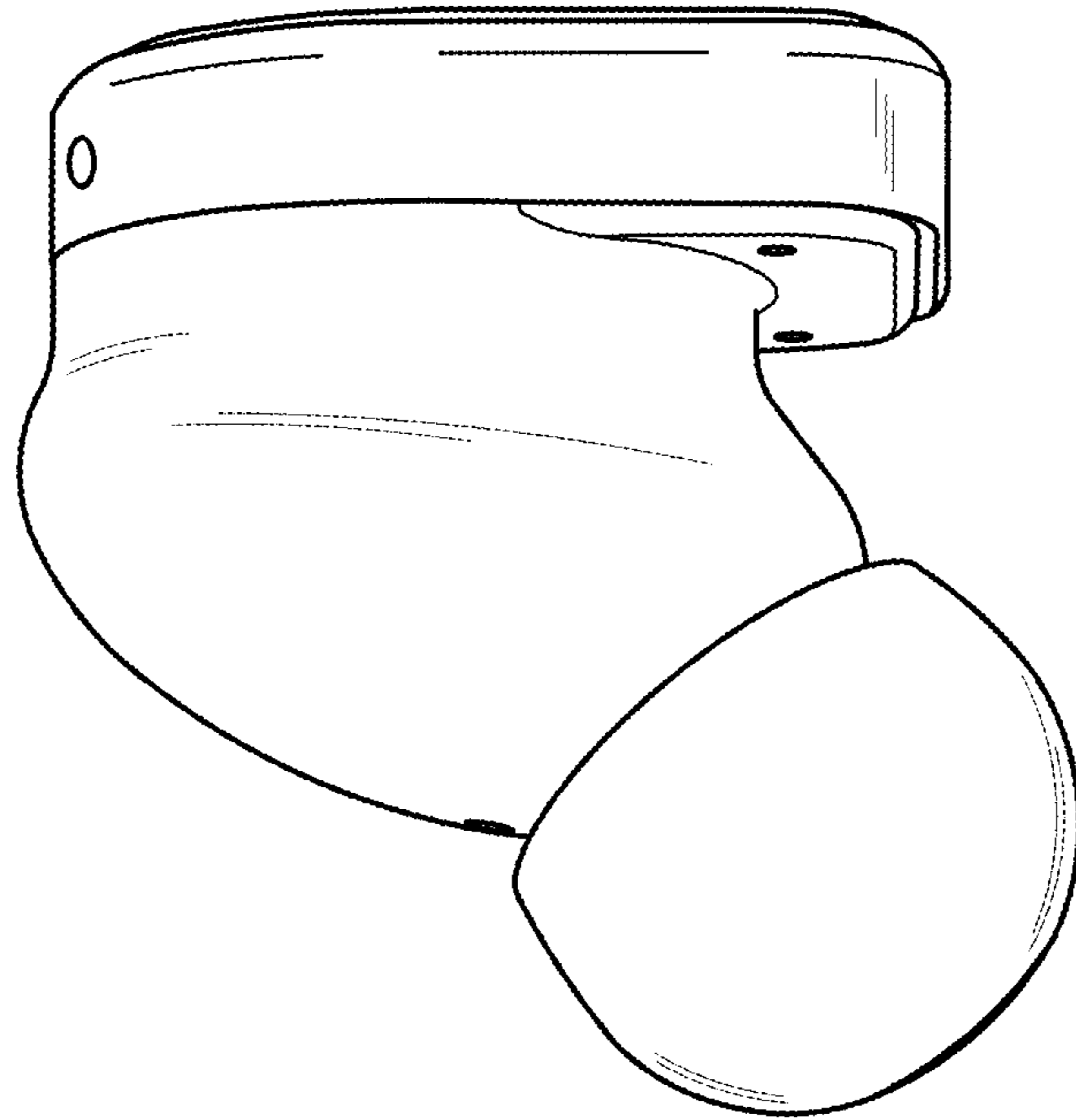


FIG. 3

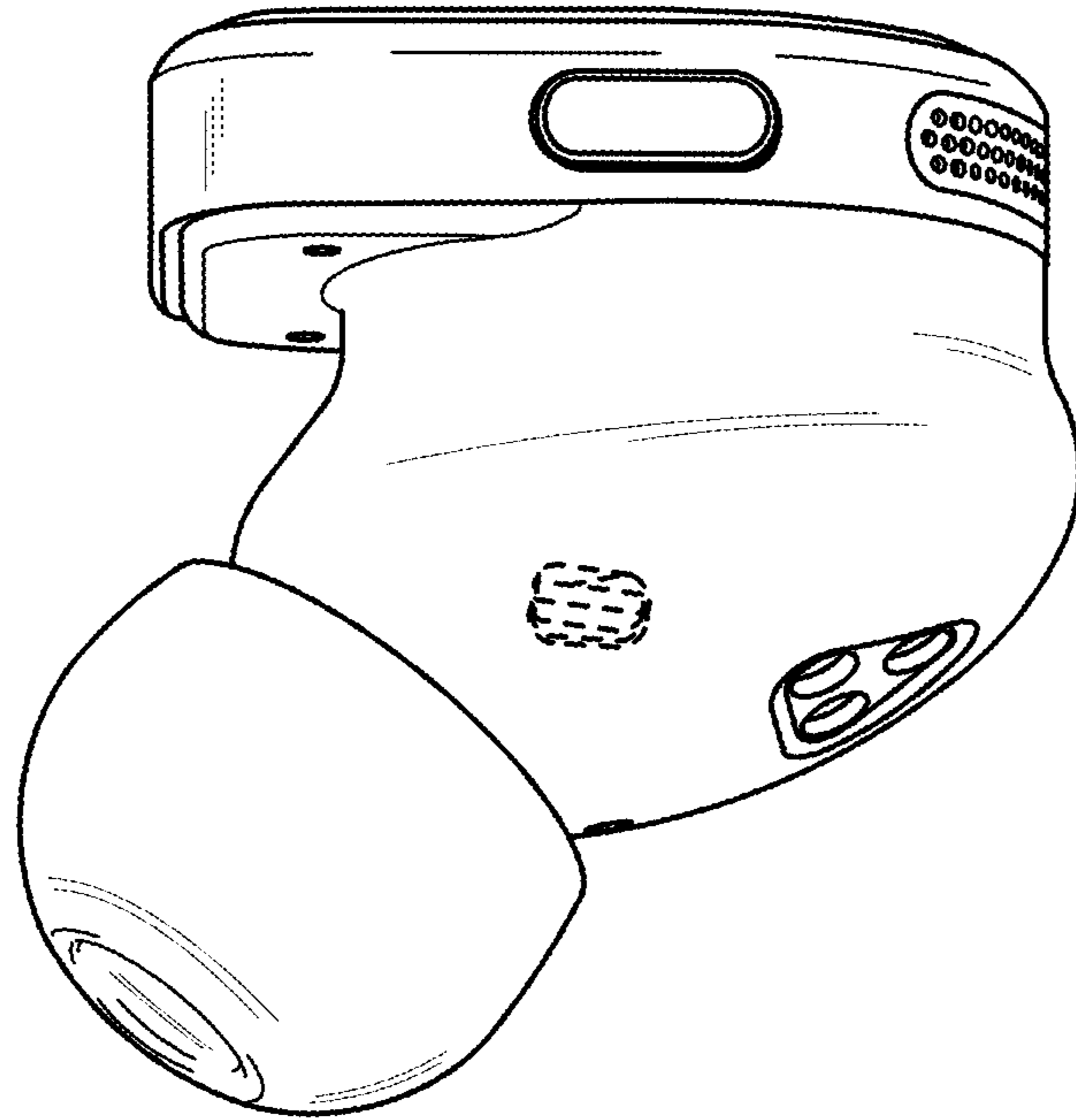


FIG. 4

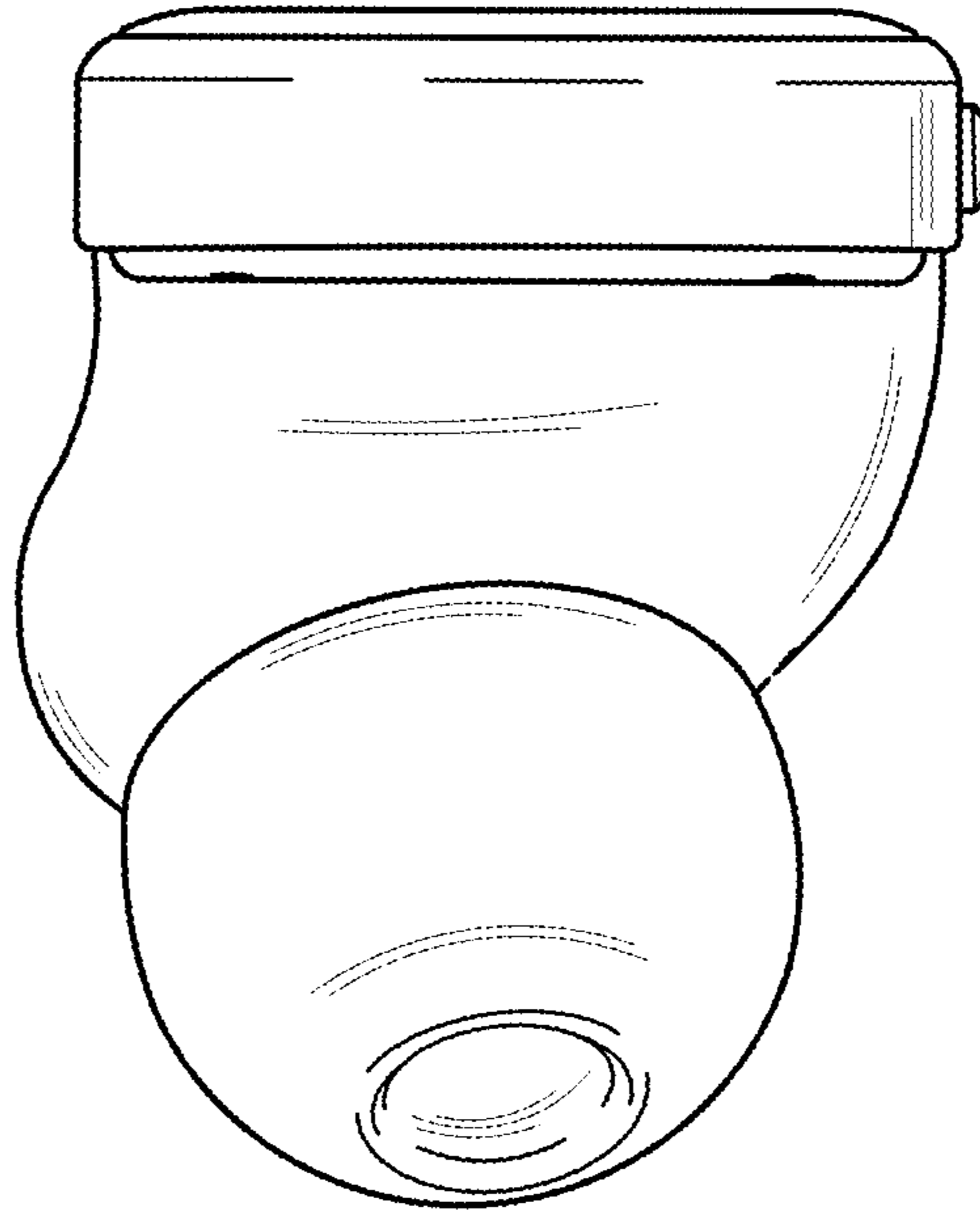


FIG. 5

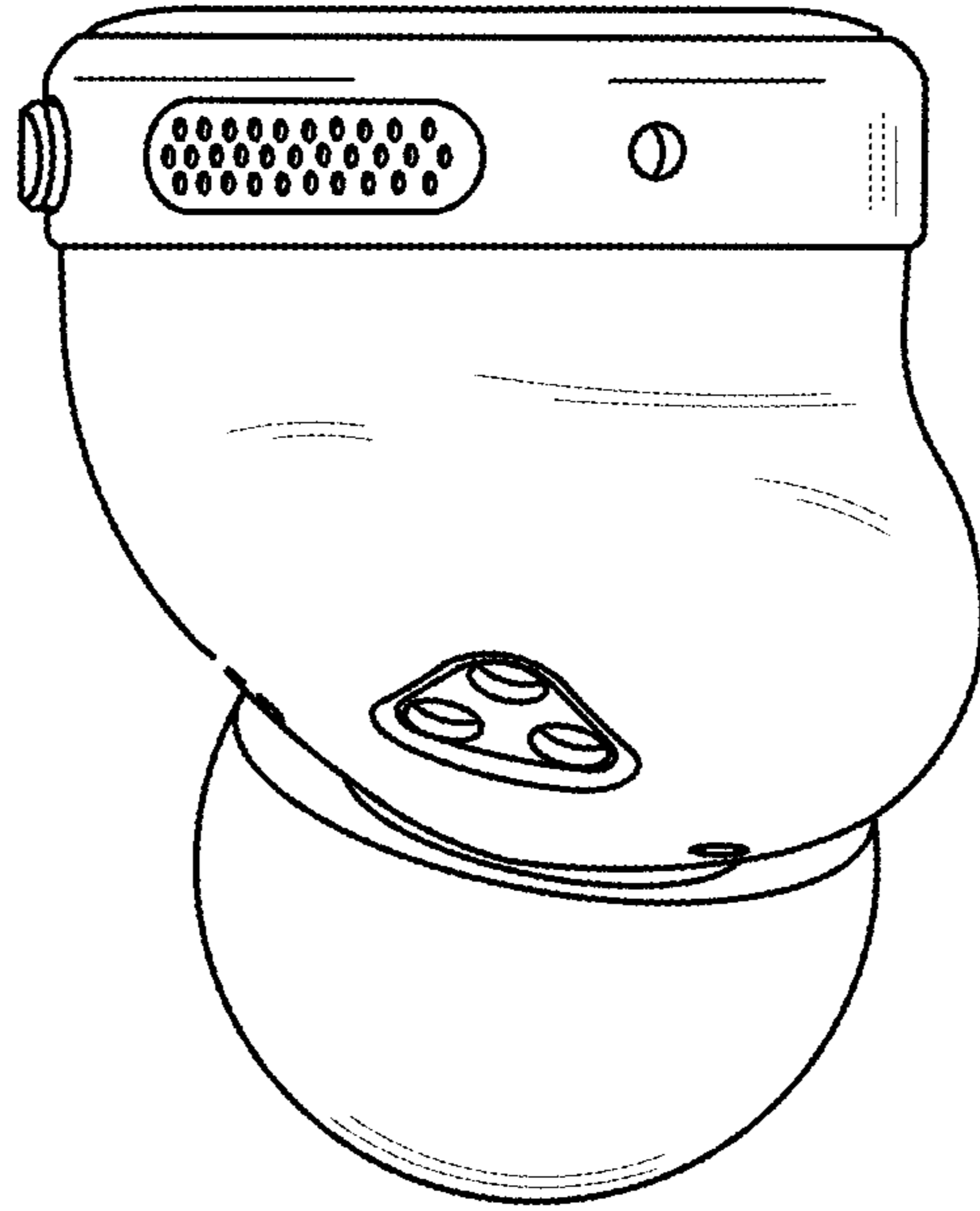


FIG. 6

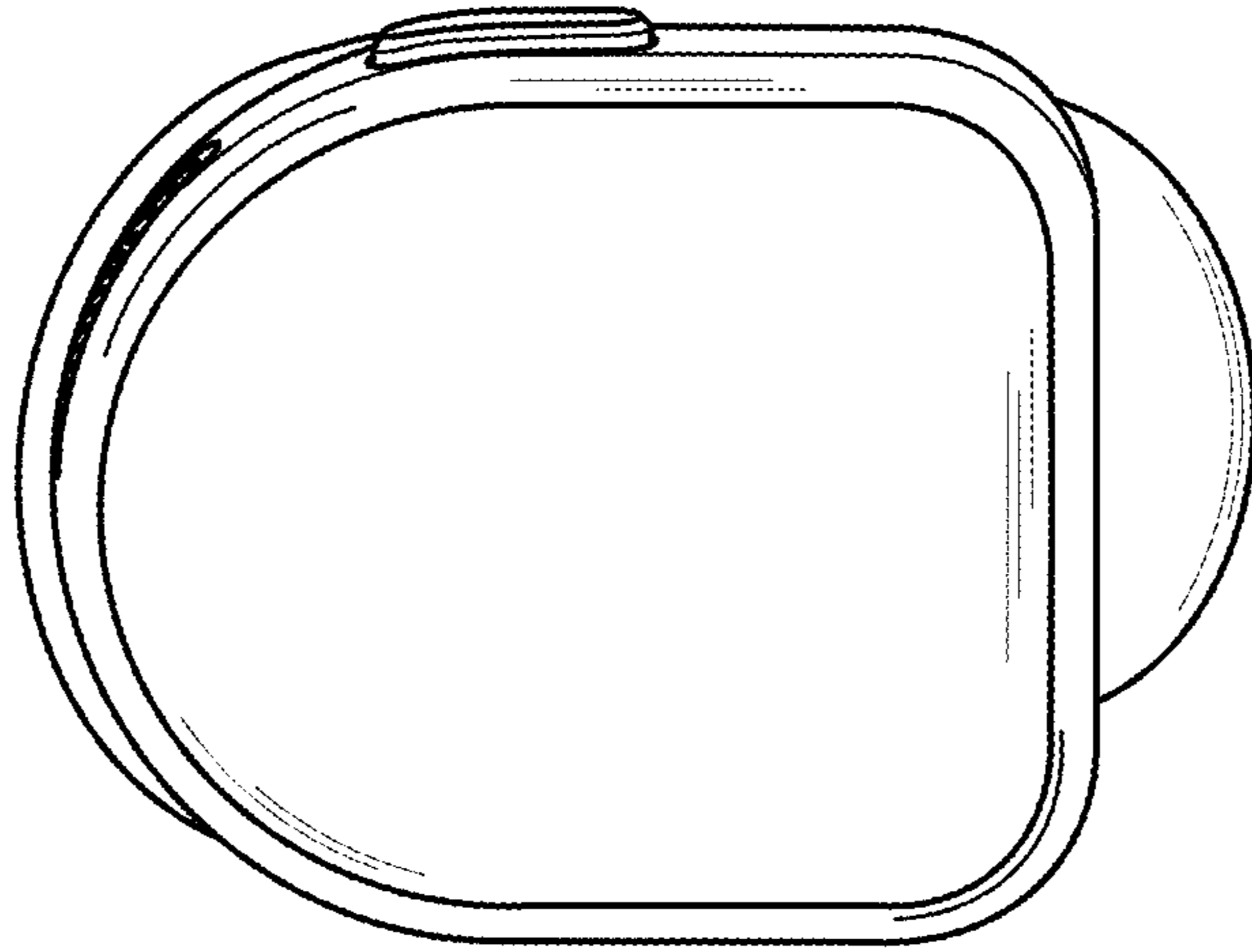


FIG. 7

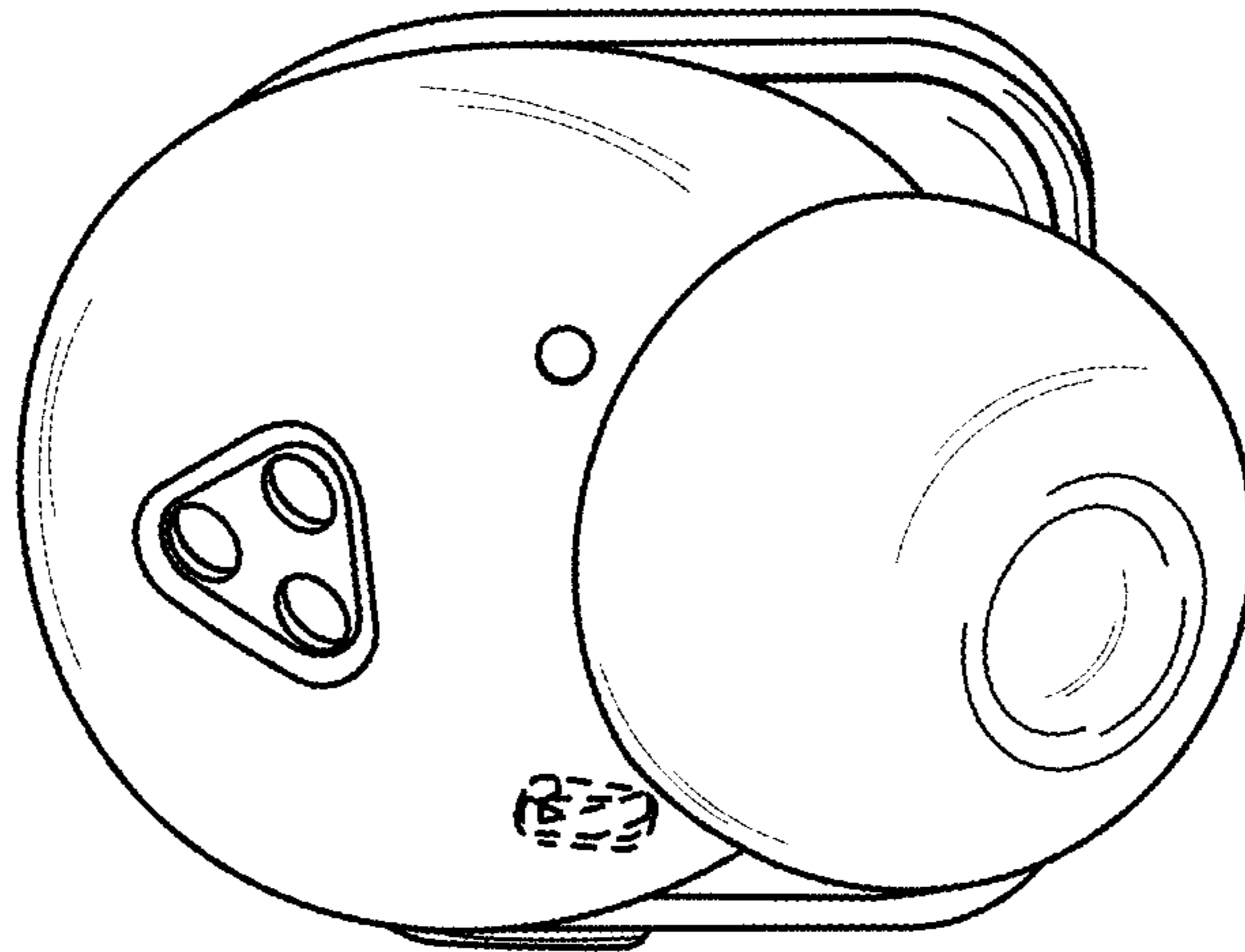


FIG. 8