



US00D989041S

(12) **United States Design Patent** (10) **Patent No.:** **US D989,041 S**
Xiang (45) **Date of Patent:** **** Jun. 13, 2023**

(54) **WIRELESS PRESENTER**

(71) Applicant: **Li Xiang, Zhangjiajie (CN)**

(72) Inventor: **Li Xiang, Zhangjiajie (CN)**

(**) Term: **15 Years**

(21) Appl. No.: **29/850,275**

(22) Filed: **Aug. 18, 2022**

(51) **LOC (14) Cl.** **14-03**

(52) **U.S. Cl.**
USPC **D14/218**

(58) **Field of Classification Search**
USPC D14/218, 454, 499, 496, 400, 401, 432,
D14/455, 456, 511, 217, 238.1, 399;
D21/333; D13/168, 171, 173-184
CPC A63F 13/24; A63F 13/213; A63F 13/214;
A63F 13/00; A63F 13/212; A63F 13/20;
G06F 3/014; G06F 3/017; G06F 3/0308;
G06F 3/0338; G06F 3/038; G06F 3/14
See application file for complete search history.

(56) **References Cited**

U.S. PATENT DOCUMENTS

D451,076 S	*	11/2001	Sommer	D13/168
D546,782 S	*	7/2007	Poulet	D13/168
D556,154 S	*	11/2007	Poulet	D13/168
D568,313 S	*	5/2008	Leung	D26/38
D582,915 S	*	12/2008	Leung	D26/38
D589,941 S	*	4/2009	Maier	D14/218
D605,178 S	*	12/2009	Maier	D14/218
D627,091 S	*	11/2010	Zhang	D26/37
D647,510 S	*	10/2011	Maier	D14/218
D647,511 S	*	10/2011	Maier	D14/218

(Continued)

FOREIGN PATENT DOCUMENTS

CN	305286373	*	8/2019
EM	008486138-0001	*	4/2021

(Continued)

OTHER PUBLICATIONS

Titiancool, "2 in 1 USB Type C Presentation Clicker . . .", available at amazon.com, date first available Apr. 28, 2022, site visited Jan. 27, 2023, available at URL: <https://a.co/d/2yTnwp5> (Year: 2022).*

(Continued)

Primary Examiner — Daniel J Domino

Assistant Examiner — Samina Vieth

(74) *Attorney, Agent, or Firm* — Georgi Korobanov

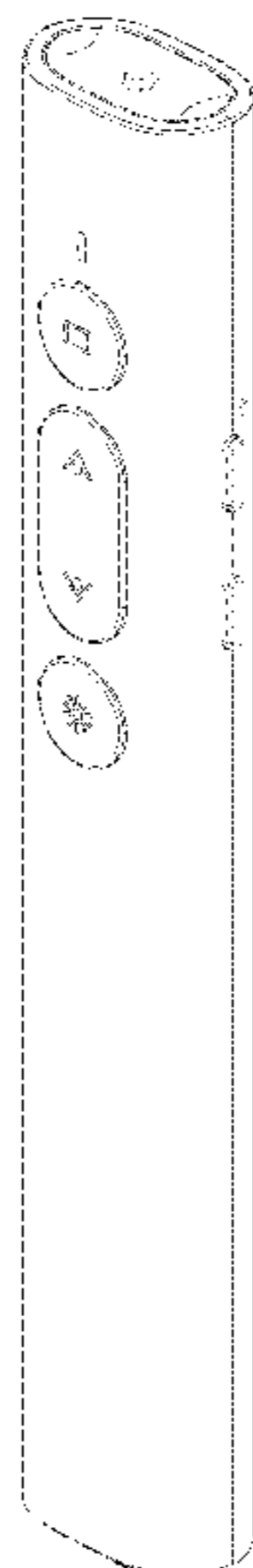
(57) **CLAIM**

The ornamental design for a wireless presenter, as shown and described.

DESCRIPTION

FIG. 1 is a perspective view of a first embodiment of a wireless presenter, showing my new design; FIG. 2 is another perspective view thereof; FIG. 3 is a front view thereof; FIG. 4 is a rear view thereof; FIG. 5 is a left side view thereof; FIG. 6 is a right side view thereof; FIG. 7 is an enlarged top plan view thereof; FIG. 8 is an enlarged bottom plan view thereof; FIG. 9 is a perspective view of a second embodiment of a wireless presenter; FIG. 10 is another perspective view thereof; FIG. 11 is a front view thereof; FIG. 12 is a rear view thereof; FIG. 13 is a left side view thereof; FIG. 14 is a right side view thereof; FIG. 15 is an enlarged top plan view thereof; and, FIG. 16 is an enlarged bottom plan view thereof. The broken lines shown in the drawings illustrate portions of the wireless presenter that form no part of the claimed design.

1 Claim, 16 Drawing Sheets



(56)

References Cited

U.S. PATENT DOCUMENTS

D671,918 S * 12/2012 Maier D14/218
 D703,188 S * 4/2014 Maier D14/218
 D770,194 S * 11/2016 Langhammer D6/512
 D779,460 S * 2/2017 Turksu D14/218
 D795,870 S * 8/2017 Jentz D26/37
 D823,834 S * 7/2018 Wang D14/218
 D852,170 S * 6/2019 Zhang D14/218
 D856,332 S * 8/2019 Rüegg D14/218
 D873,270 S * 1/2020 Rüegg D14/218
 D875,731 S * 2/2020 Rüegg D14/218
 D891,659 S * 7/2020 Tu D26/37
 D901,444 S * 11/2020 Huang D14/218
 D901,445 S * 11/2020 Huang D14/218
 D913,992 S * 3/2021 Huang D14/218
 D917,753 S * 4/2021 Guo D26/37
 D941,270 S * 1/2022 Park D14/218
 D942,958 S * 2/2022 Maier D14/218

FOREIGN PATENT DOCUMENTS

KR 300880408.0000 * 11/2016

KR 300979991.0000 * 11/2018
 RU 00110148 * 8/2018

OTHER PUBLICATIONS

Ubuyone Store, "Presentation Clicker Presentation Remotes . . .", available at amazon.com, date first available Oct. 4, 2021, site visited Jan. 27, 2023, available at URL: <https://a.co/d/arqzr2V> (Year: 2021).*

PPTSLID, "Presentation Clicker for Powerpoint Presentations . . .", available at amazon.com, date first available Apr. 12, 2022, site visited Jan. 27, 2023, available at URL: <https://a.co/d/396BbNa> (Year: 2022).*

KTPYRP Store, "Wireless Powerpoint Remote Presentation Clicker . . ." available at amazon.com, date first available Jan. 21, 2022, site visited Jan. 27, 2023, available at URL: <https://a.co/d/3veENvN> (Year: 2022).*

MIPREZT, "Rechargeable Presentation Clicker . . .", available at amazon.com, date first available Sep. 5, 2022, site visited Jan. 27, 2023, available at URL: <https://a.co/d/b2maCZo> (Year: 2022).*

* cited by examiner

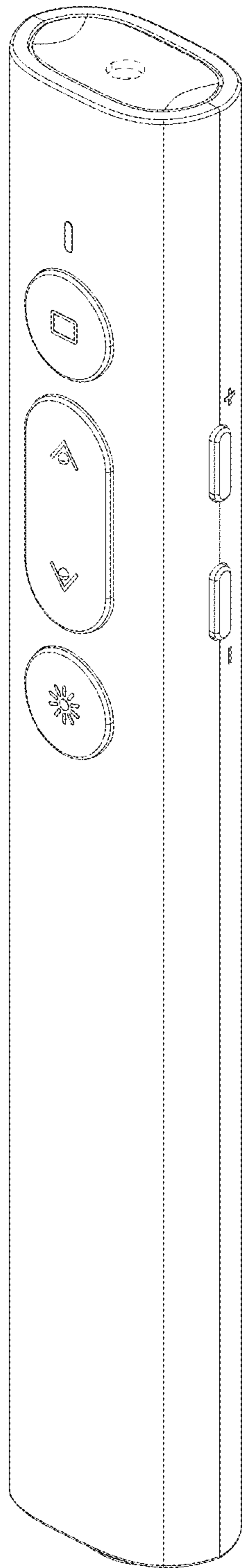


FIG. 1

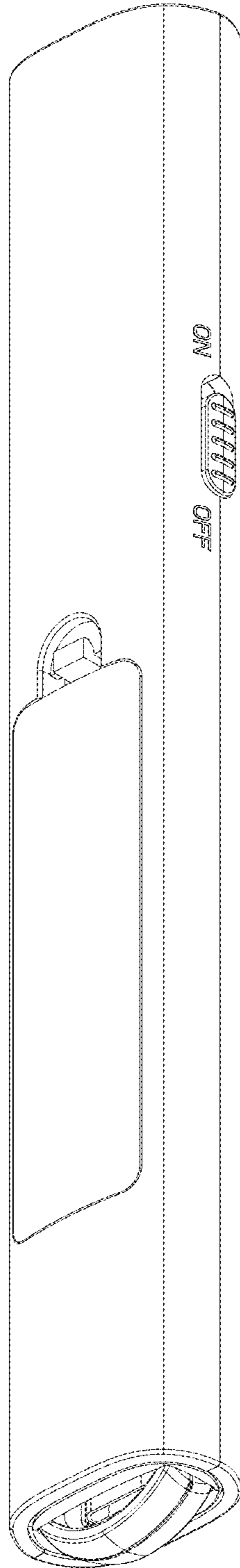


FIG. 2

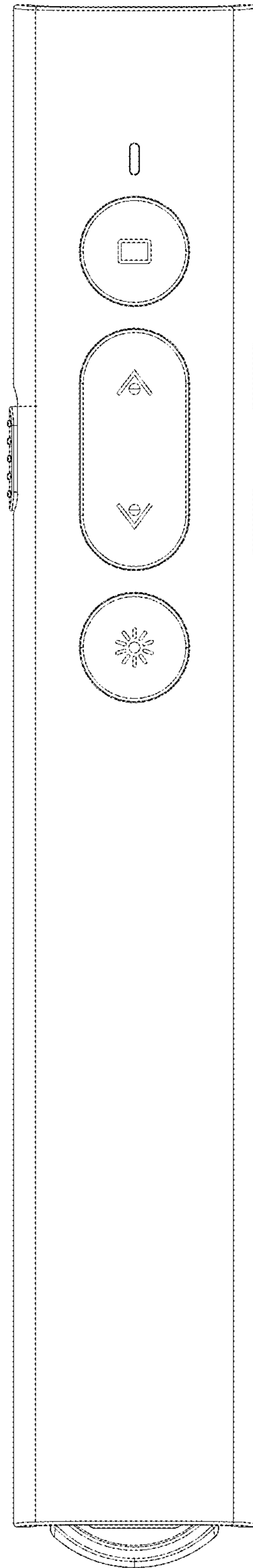


FIG. 3

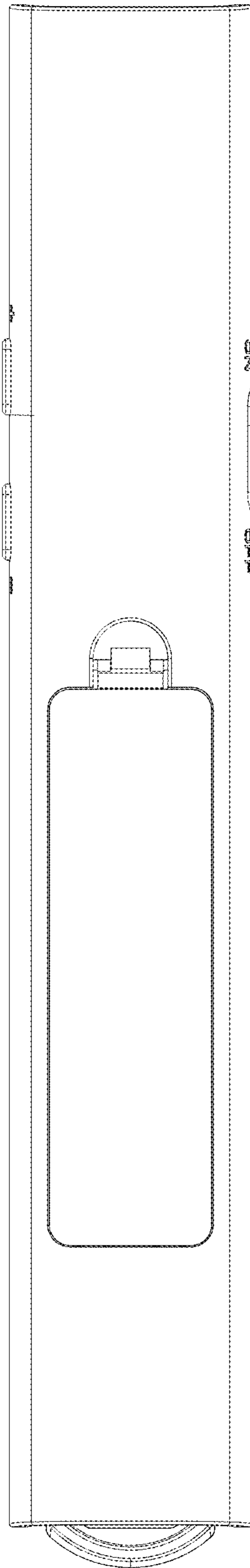


FIG. 4

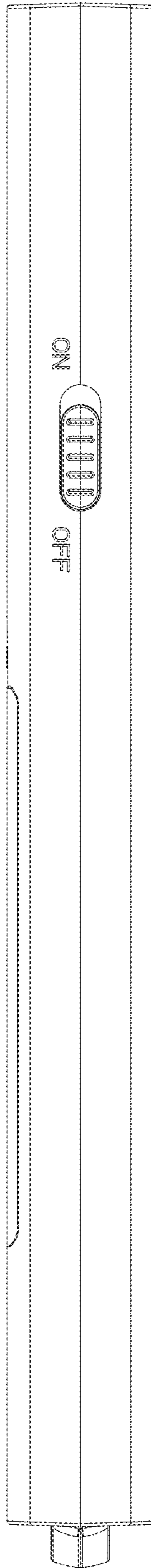


FIG. 5

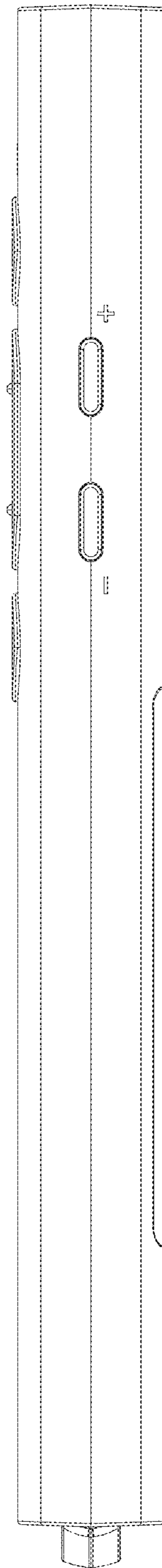


FIG. 6

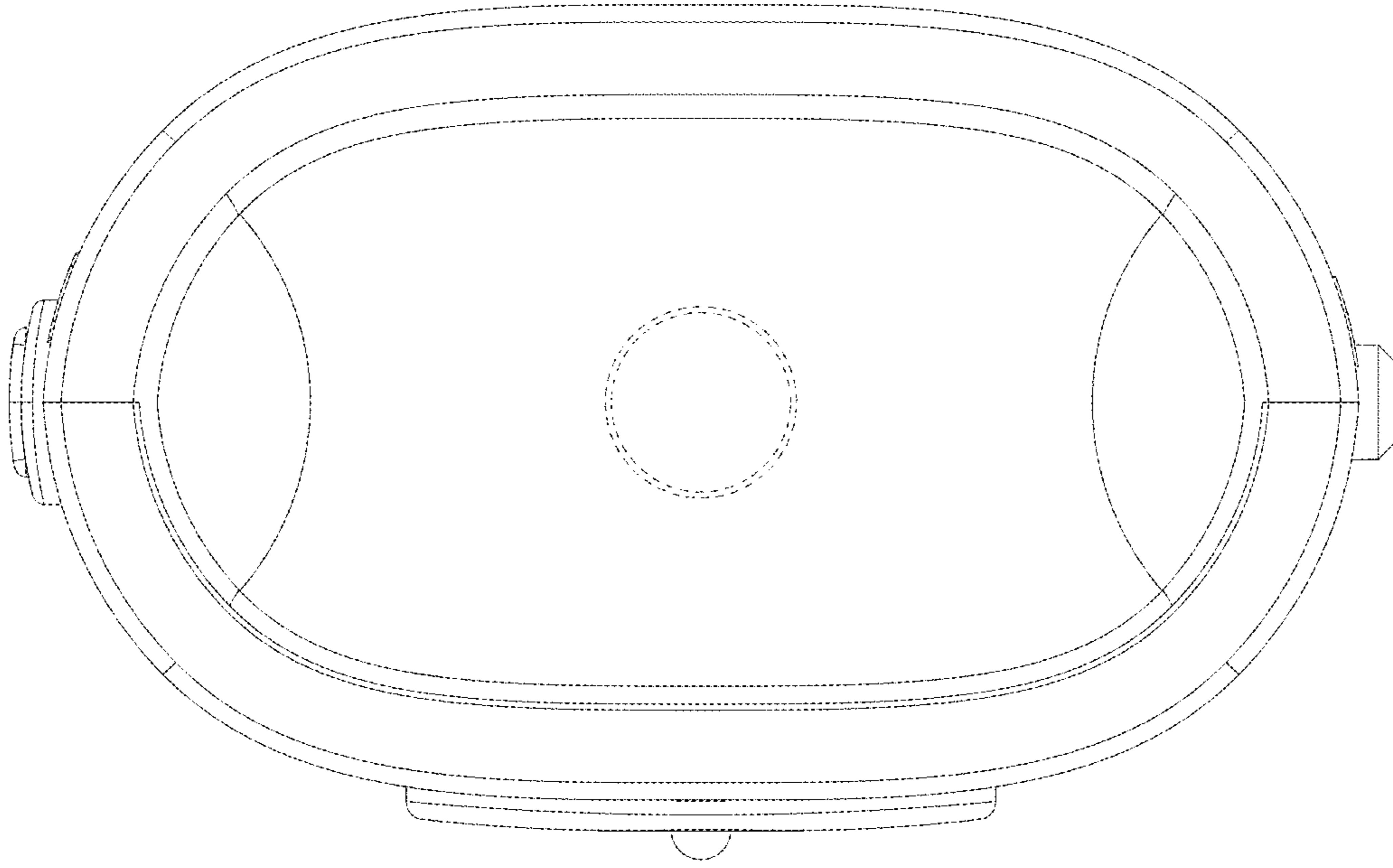


FIG. 7

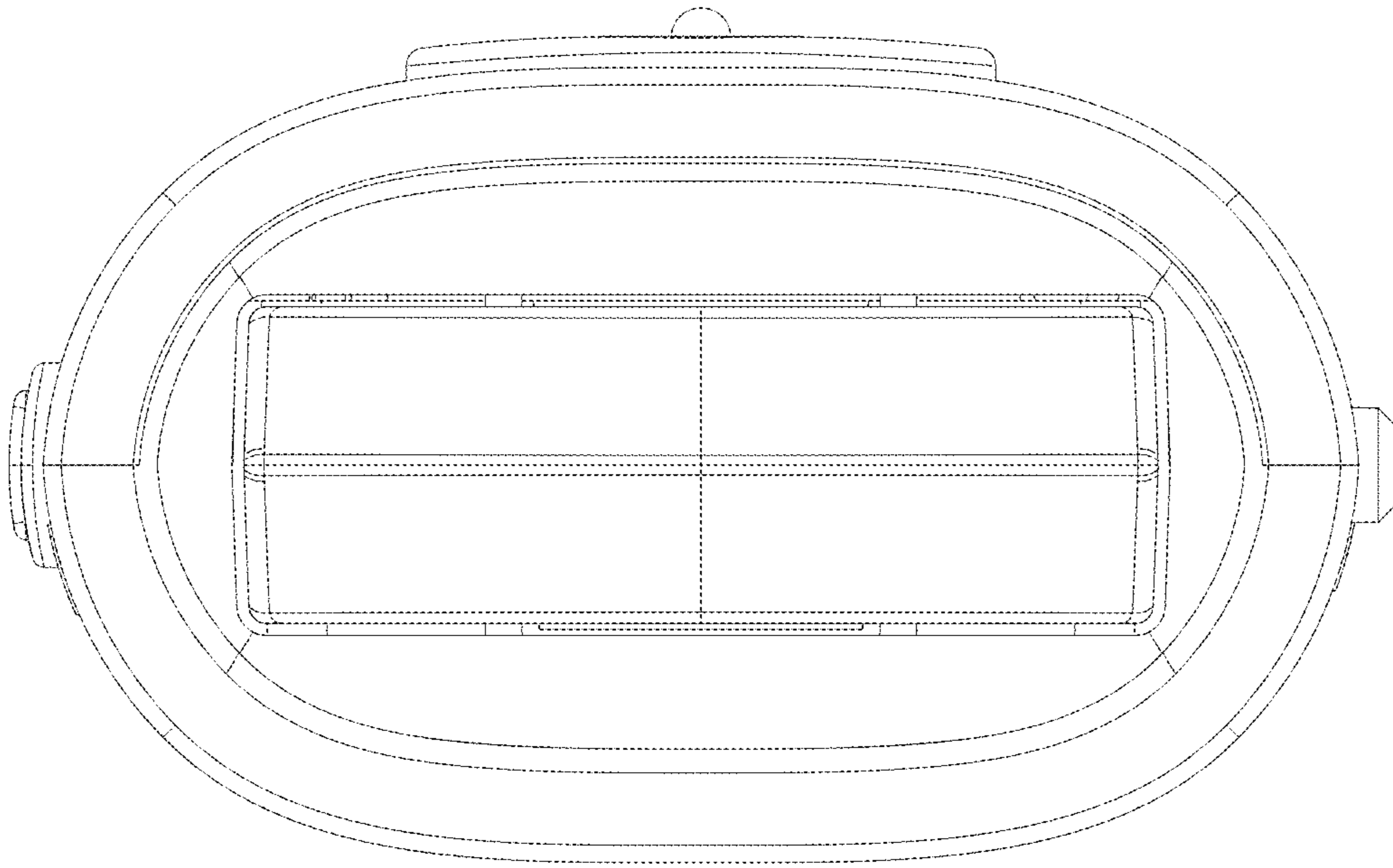


FIG. 8

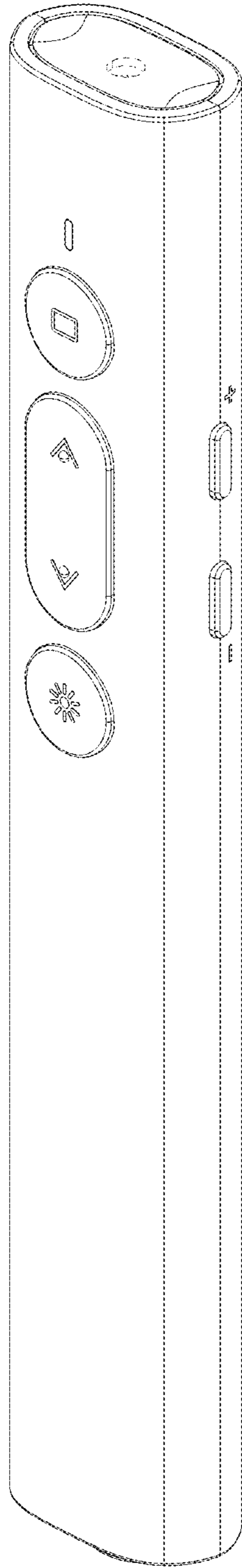


FIG. 9

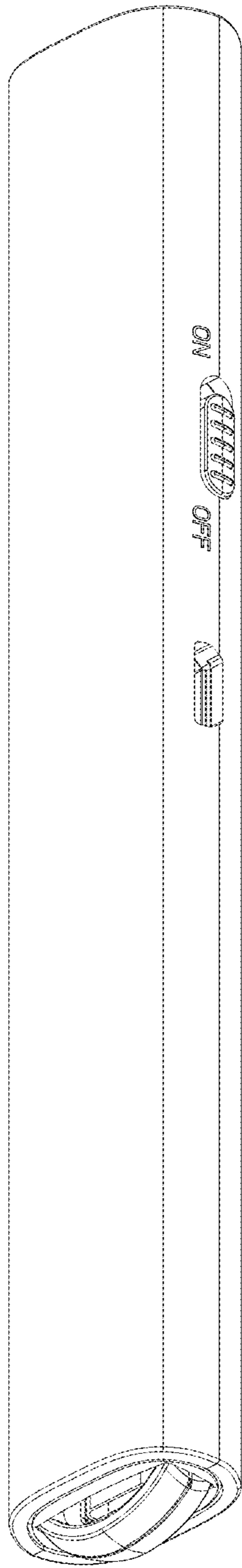


FIG. 10

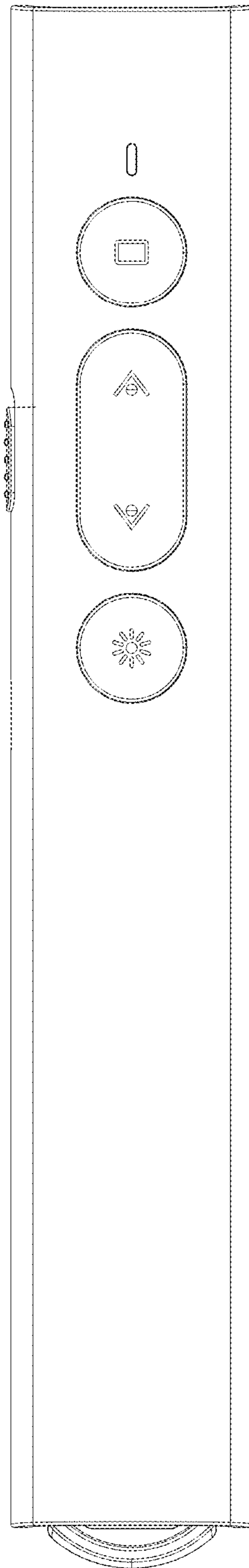


FIG. 11

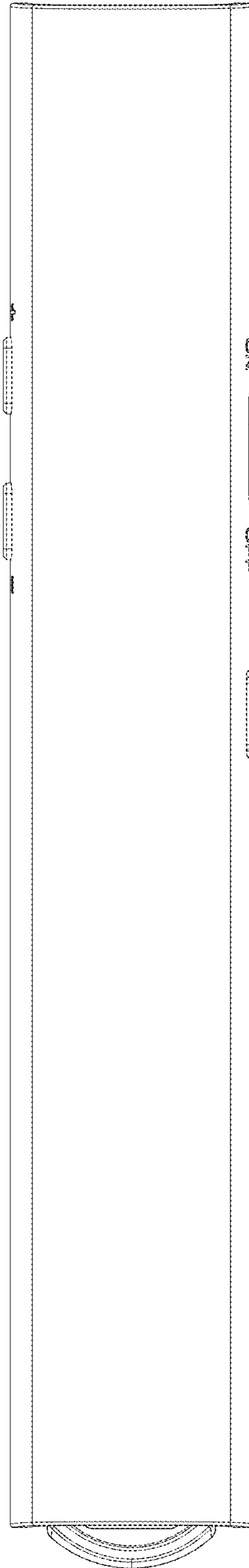


FIG. 12

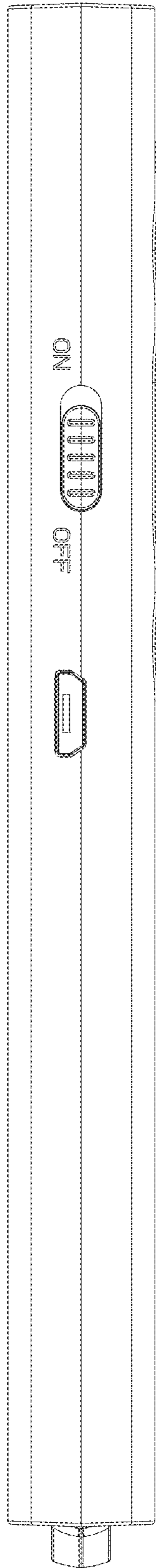


FIG. 13

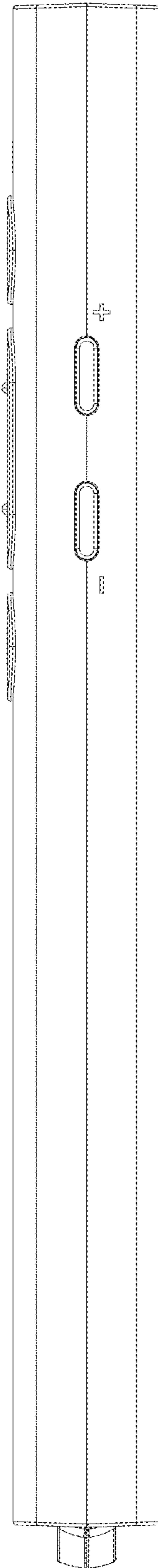


FIG. 14

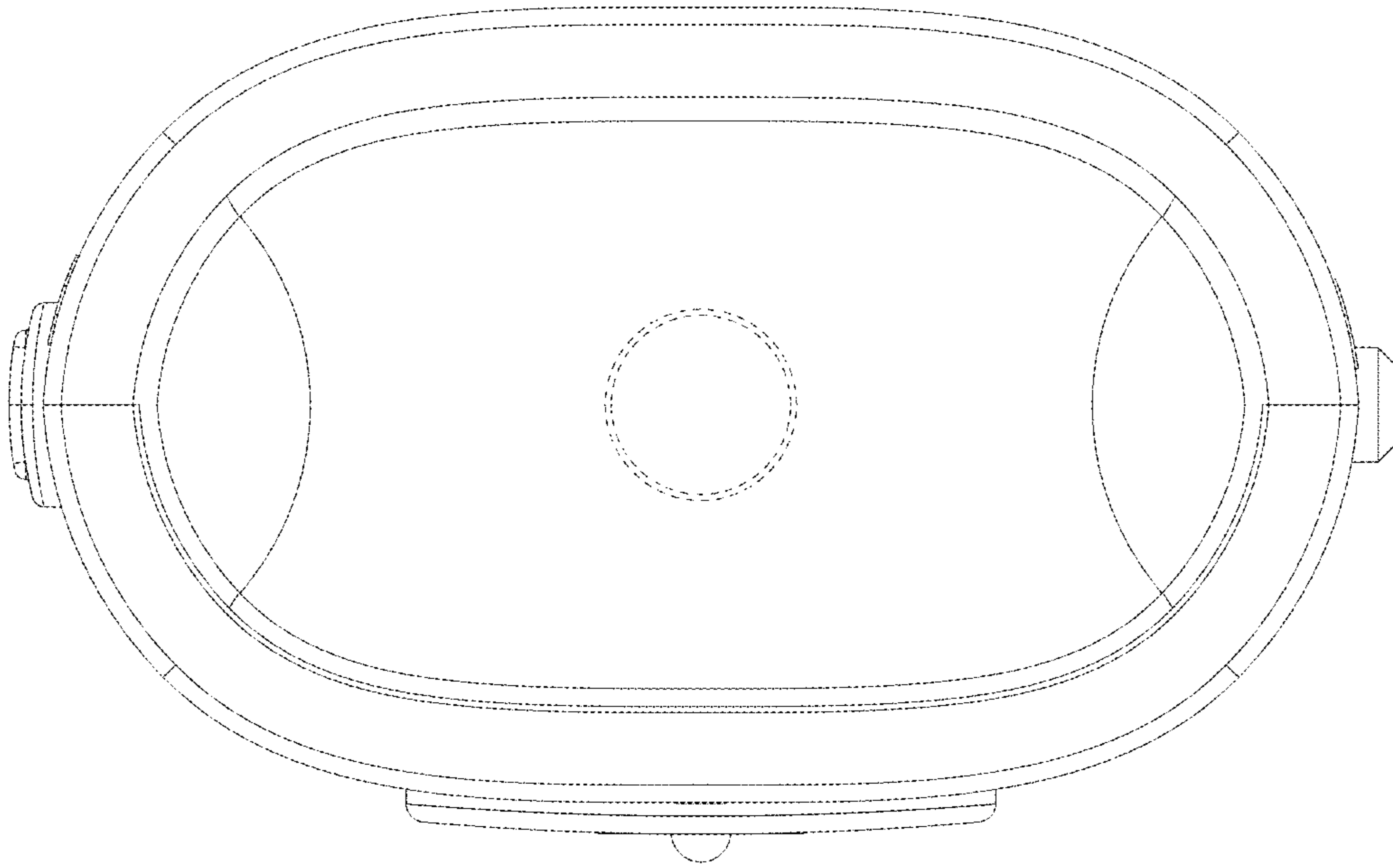


FIG. 15

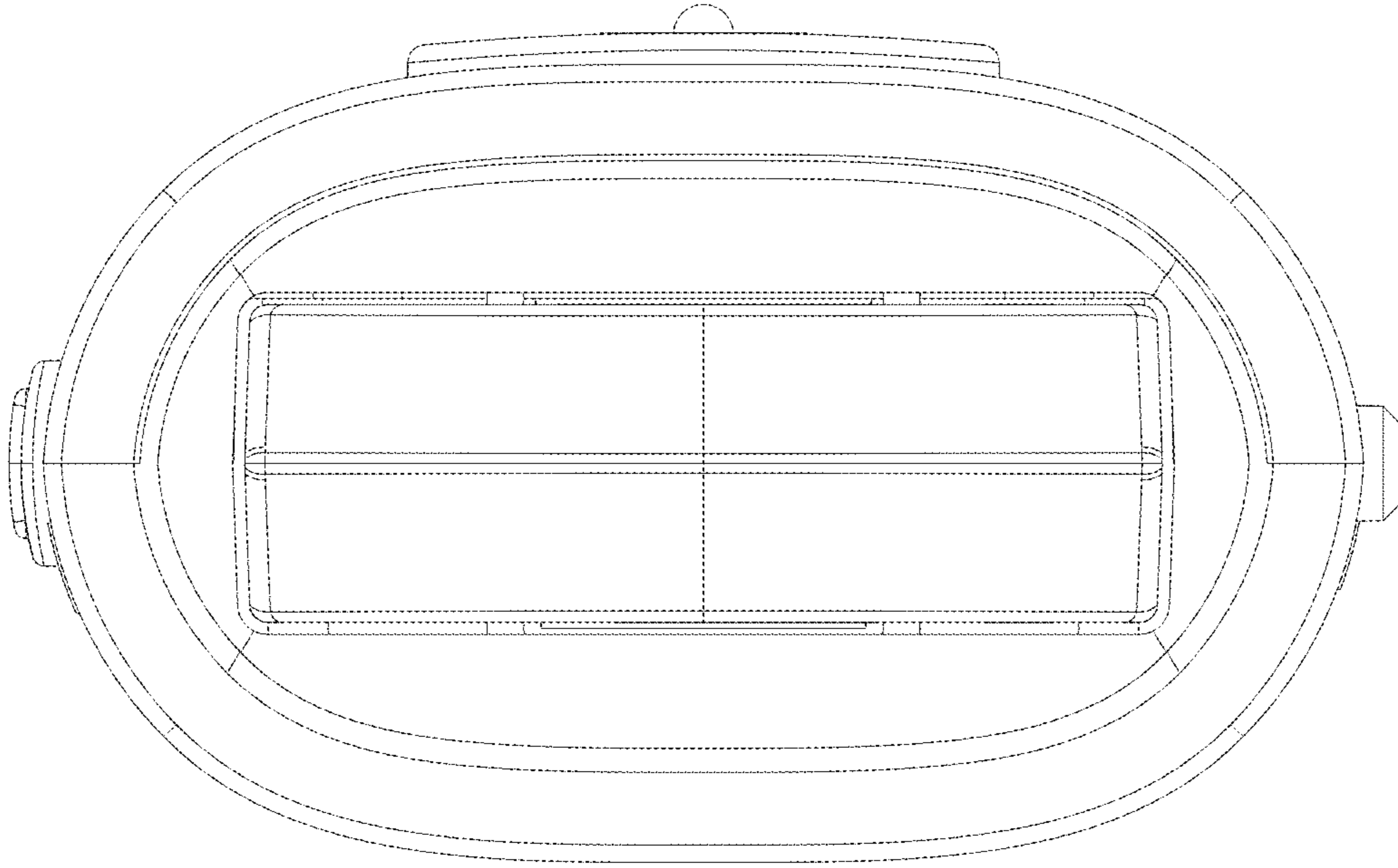


FIG. 16