

US00D989040S

(12) **United States Design Patent**  
**Tsao et al.**

(10) **Patent No.:** **US D989,040 S**  
(45) **Date of Patent:** **\*\* Jun. 13, 2023**

(54) **PRESENTER**

(71) Applicant: **Acer Incorporated**, New Taipei (TW)

(72) Inventors: **Jung-Wei Tsao**, New Taipei (TW);  
**Wei-Chang Chen**, New Taipei (TW)

(73) Assignee: **Acer Incorporated**, New Taipei (TW)

(\*\*) Term: **15 Years**

(21) Appl. No.: **29/805,456**

(22) Filed: **Aug. 27, 2021**

(30) **Foreign Application Priority Data**

Apr. 19, 2021 (TW) ..... 110301983

(51) **LOC (14) Cl.** ..... **14-03**

(52) **U.S. Cl.**  
USPC ..... **D14/218**

(58) **Field of Classification Search**

USPC ..... D14/218, 454, 499, 496, 400, 401, 432,  
D14/455, 456, 511, 217, 238.1, 399;  
D21/333; D13/168, 171, 173-184

CPC ..... A63F 13/24; A63F 13/213; A63F 13/214;  
A63F 13/00; A63F 13/212; A63F 13/20;  
G06F 3/014; G06F 3/017; G06F 3/0308;  
G06F 3/0338; G06F 3/038; G06F 3/14

See application file for complete search history.

(56) **References Cited**

**U.S. PATENT DOCUMENTS**

D531,585 S \* 11/2006 Weitgasser ..... D13/168  
D543,197 S \* 5/2007 Loughnane ..... D14/218  
D589,941 S \* 4/2009 Maier ..... D14/218  
D602,473 S \* 10/2009 Moller ..... D14/218  
D632,673 S \* 2/2011 Isaias ..... D14/218  
D634,735 S \* 3/2011 Maier ..... D14/218  
D661,691 S \* 6/2012 Weitgasser ..... D14/218  
D673,137 S \* 12/2012 Maier ..... D14/218  
D679,266 S \* 4/2013 Shin ..... D14/218

D683,022 S \* 5/2013 Moon ..... D24/158  
D697,056 S \* 1/2014 McManigal ..... D14/218  
D697,499 S \* 1/2014 McManigal ..... D14/218  
D700,169 S \* 2/2014 Peh ..... D14/218  
D724,059 S \* 3/2015 Kim ..... D14/218  
D791,739 S \* 7/2017 Lee ..... D14/218  
D808,930 S \* 1/2018 Lee ..... D14/218  
D823,834 S \* 7/2018 Wang ..... D14/218  
10,076,139 B2 \* 9/2018 Monsees ..... A61M 15/06  
D868,040 S \* 11/2019 Desagre ..... D14/218  
D892,084 S \* 8/2020 Uhm ..... D14/218

**FOREIGN PATENT DOCUMENTS**

EM 000683206-0006 \* 4/2007  
KR 300880408.0000 \* 11/2016

\* cited by examiner

*Primary Examiner* — Daniel J Domino

*Assistant Examiner* — Samina Vieth

(74) *Attorney, Agent, or Firm* — JCIPRNET

(57) **CLAIM**

The ornamental design for a presenter, as shown and described.

**DESCRIPTION**

FIG. 1 is a perspective view of a presenter showing our new design;

FIG. 2 is another perspective view thereof;

FIG. 3 is a front view thereof;

FIG. 4 is a rear view thereof;

FIG. 5 is a left side view thereof;

FIG. 6 is a right side view thereof;

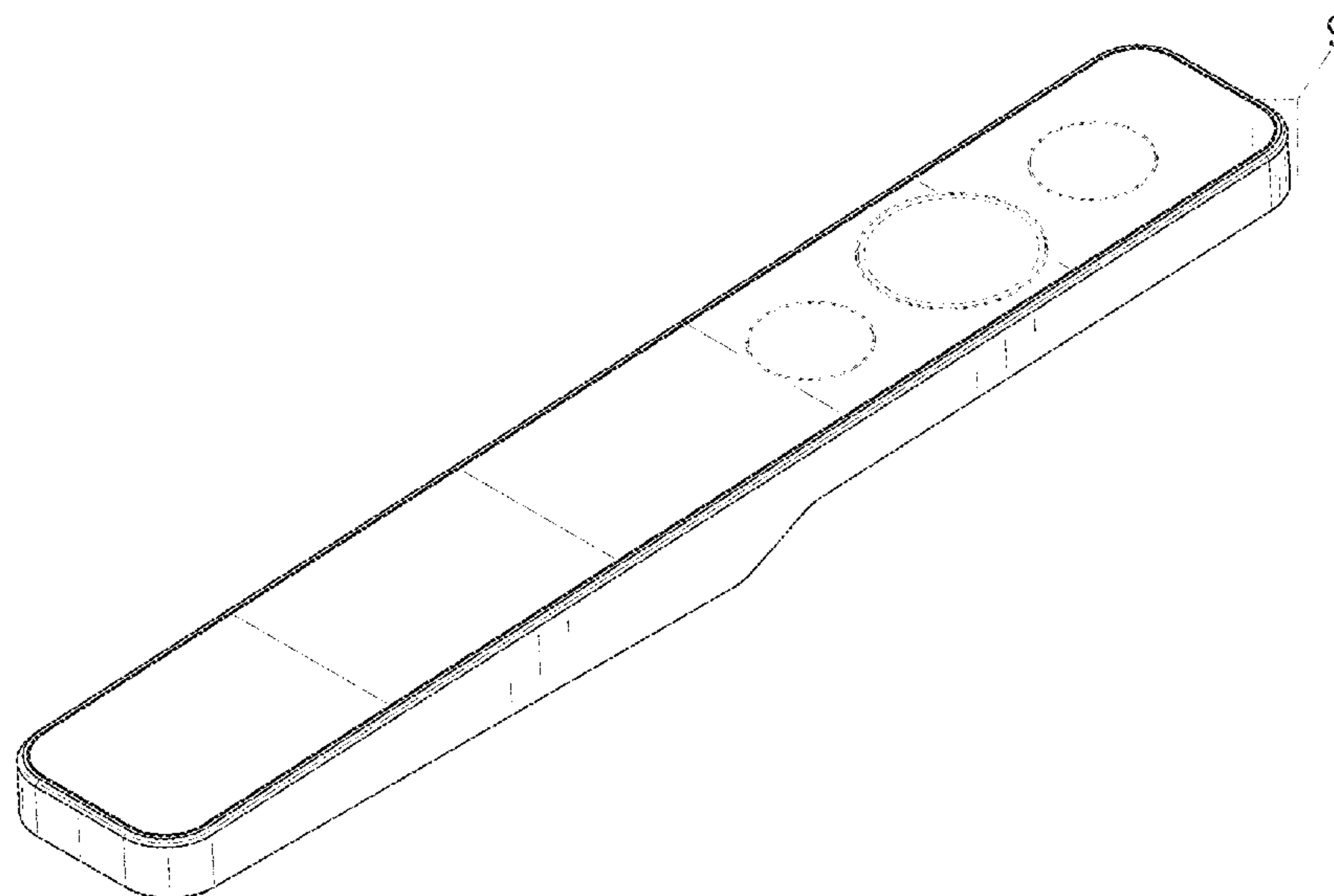
FIG. 7 is a top view thereof;

FIG. 8 is a bottom view thereof; and,

FIG. 9 is an enlarged view of the portion, labeled '9' of FIG. 1.

The broken lines illustrate portions of the presenter that form no part of the claimed design.

**1 Claim, 9 Drawing Sheets**



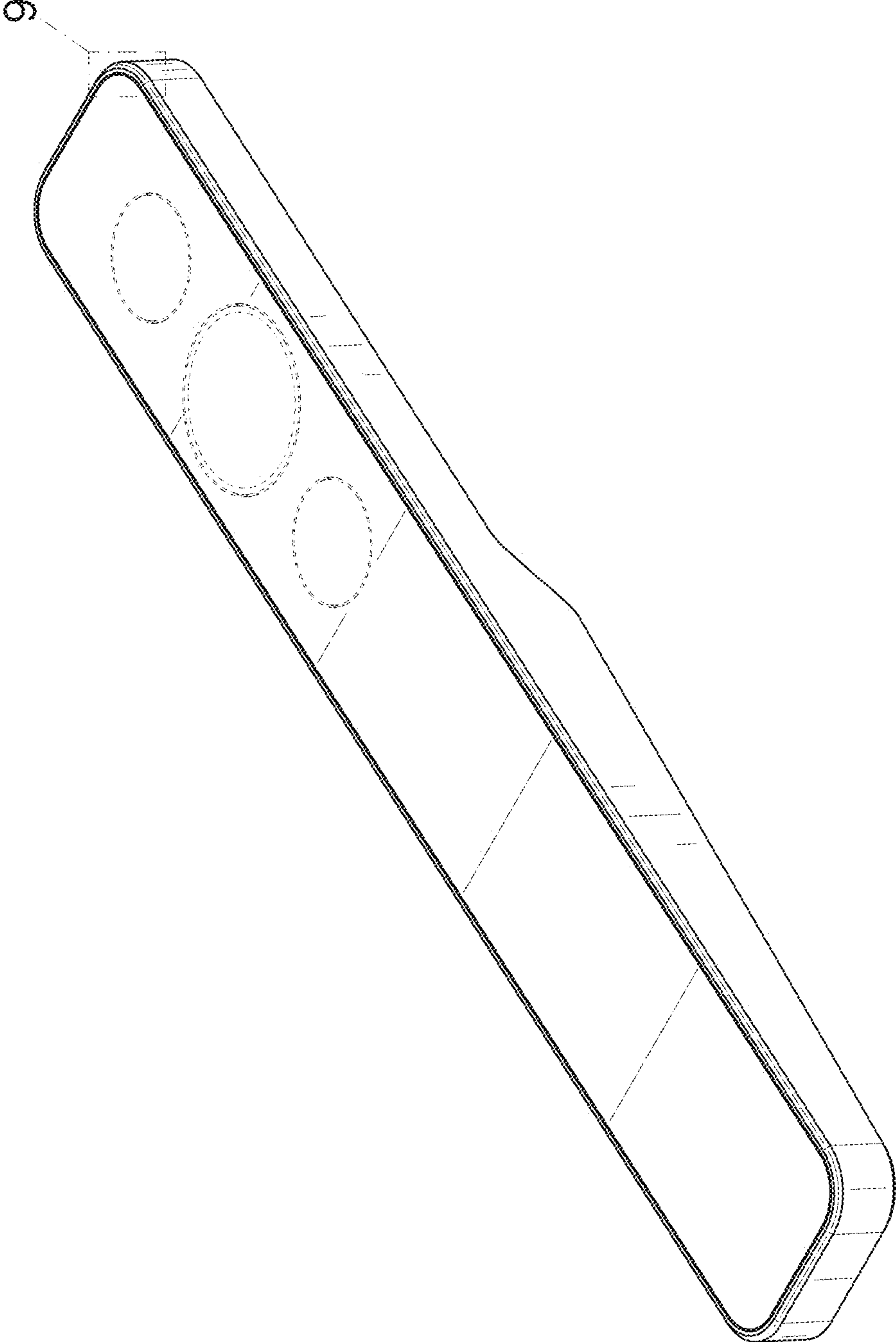


FIG. 1

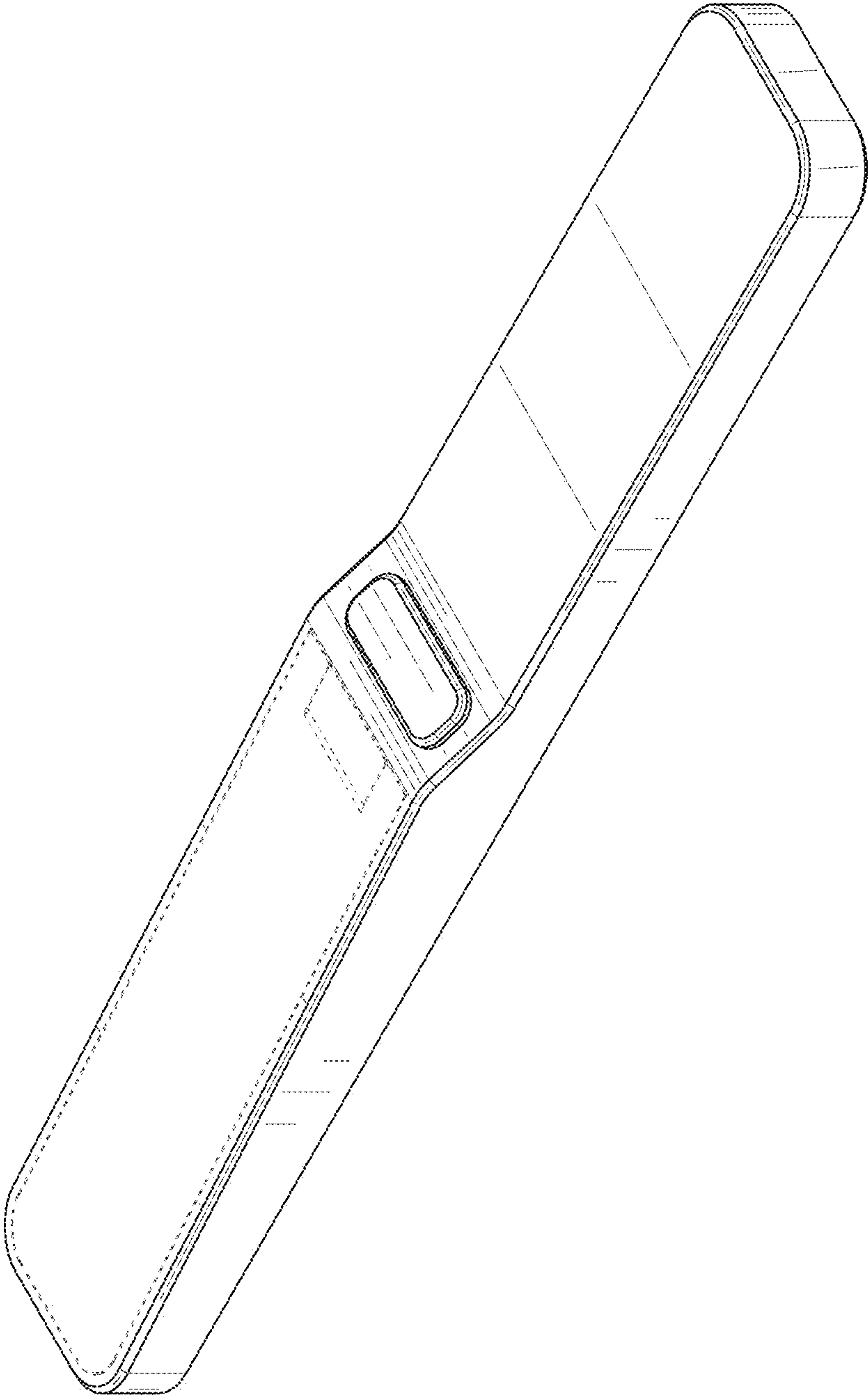


FIG. 2

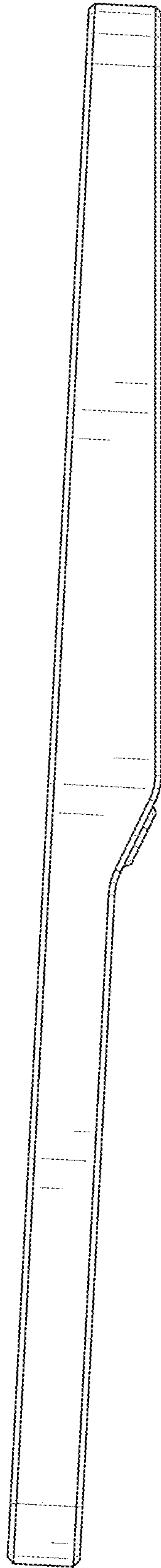


FIG. 3

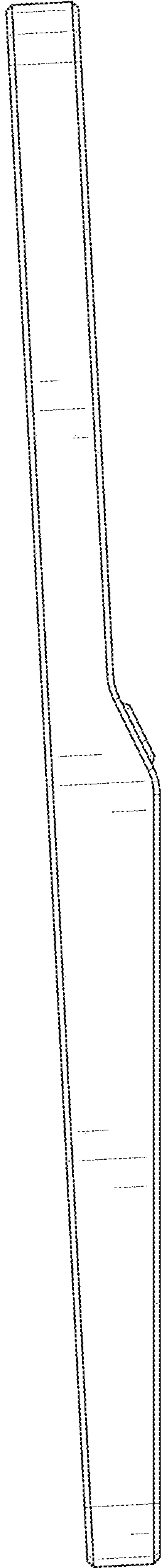


FIG. 4

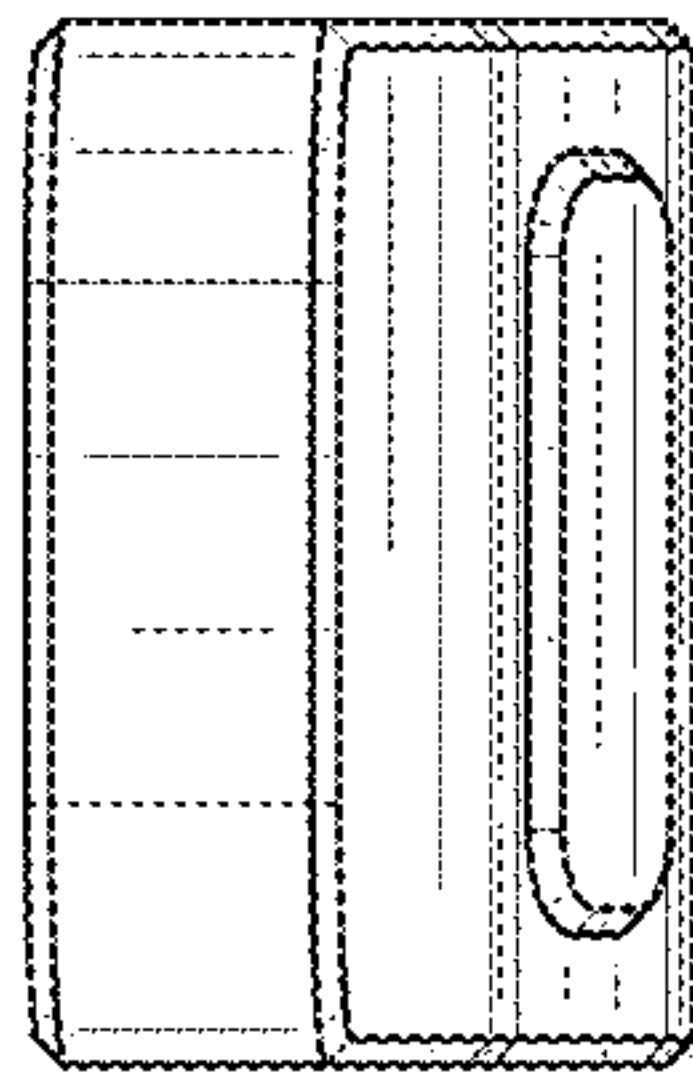


FIG. 5

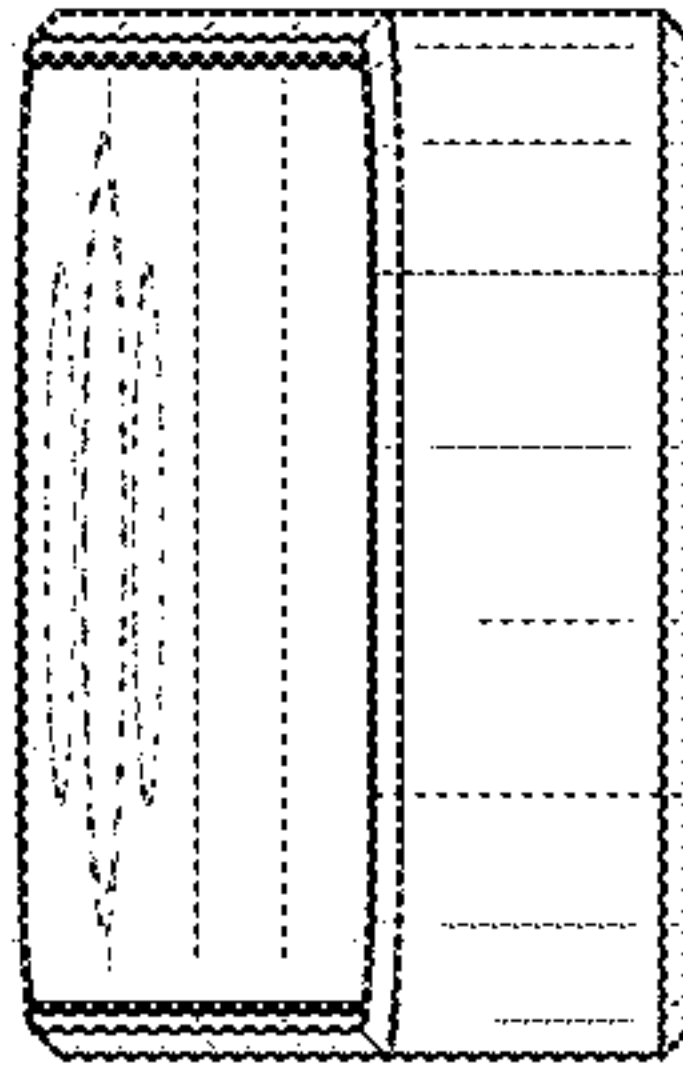


FIG. 6



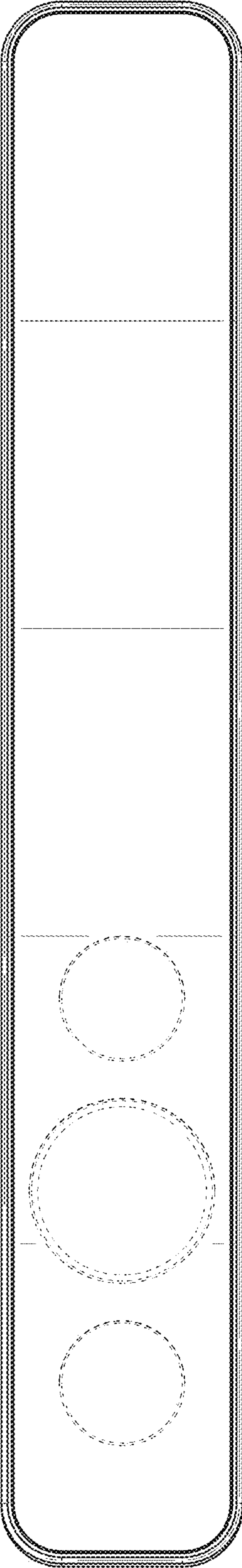


FIG. 7



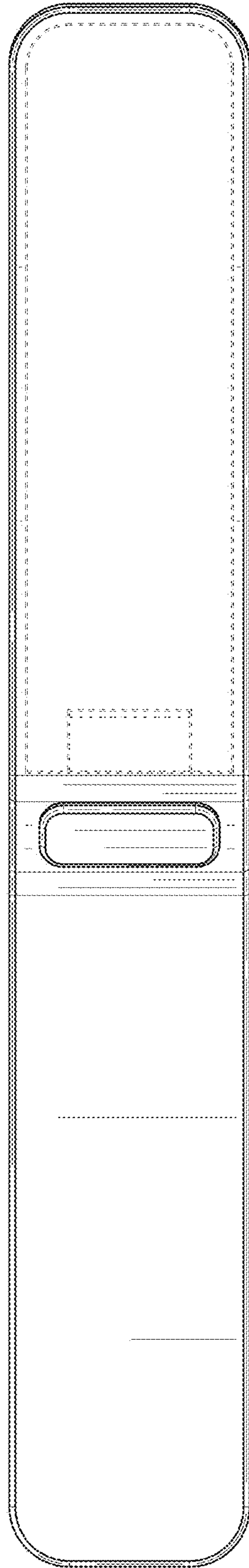


FIG. 8

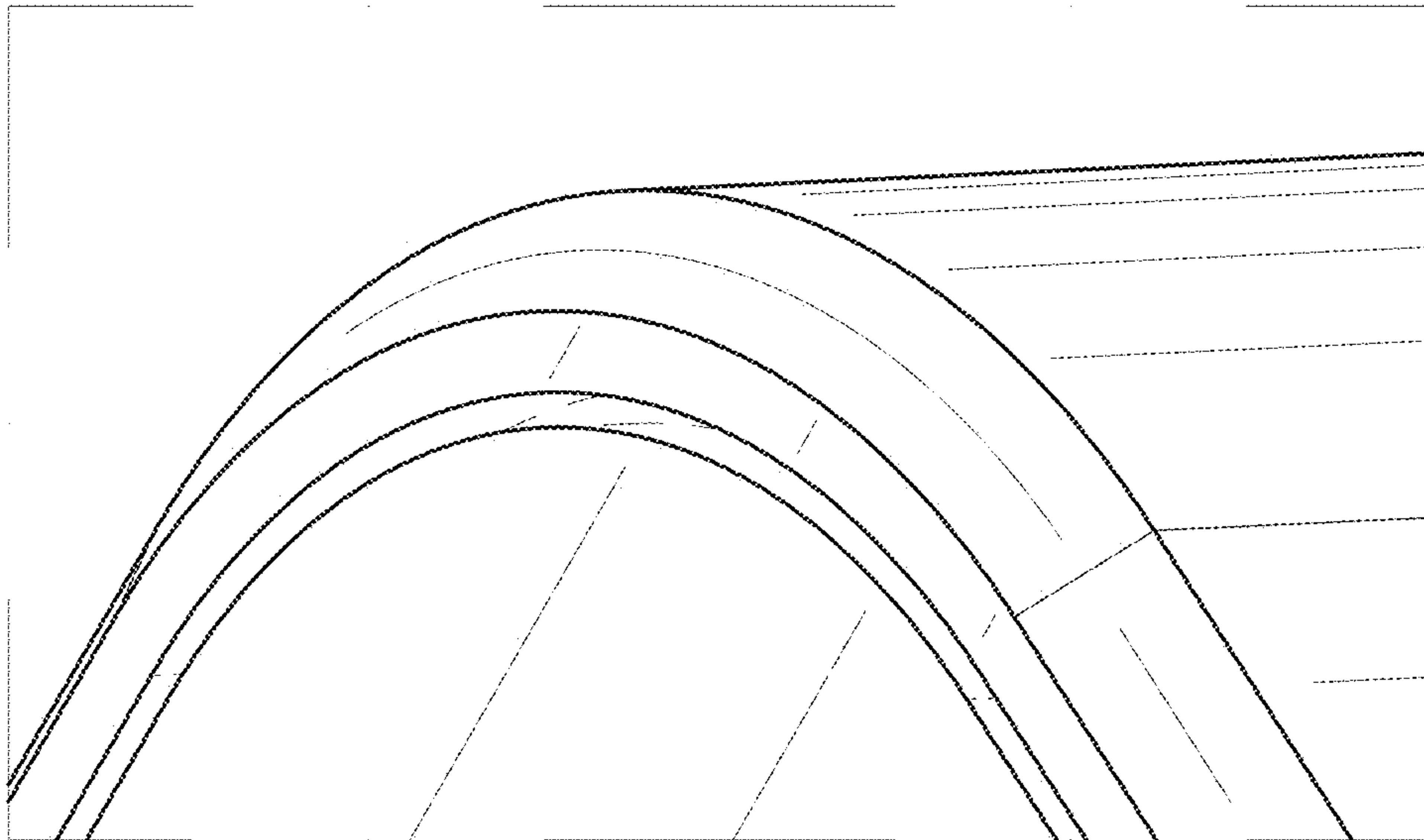


FIG. 9