



US00D989037S

(12) **United States Design Patent**  
**Zeng**

(10) **Patent No.:** **US D989,037 S**

(45) **Date of Patent:** **\*\* Jun. 13, 2023**

(54) **WHITE NOISE SLEEP AID MACHINE**

(71) Applicant: **Yueping Zeng**, Ganzhou (CN)

(72) Inventor: **Yueping Zeng**, Ganzhou (CN)

(\*\*) Term: **15 Years**

(21) Appl. No.: **29/795,838**

(22) Filed: **Jun. 21, 2021**

(51) **LOC (14) Cl.** ..... **14-01**

(52) **U.S. Cl.**  
USPC ..... **D14/216**

(58) **Field of Classification Search**  
USPC ... D14/125, 140, 149, 167, 168, 204, 203.7,  
D14/211, 214, 215, 216, 217, 218, 240,  
D14/356, 358, 509; D13/108;  
D10/106.5, 106.1, 52, 49; D23/364  
CPC ..... H04R 5/02; H04R 2420/07; H04R 9/06;  
H04R 1/025; H02J 7/025  
See application file for complete search history.

(56) **References Cited**

**U.S. PATENT DOCUMENTS**

D550,633 S *	9/2007	Gupta	.....	D13/168
D671,528 S *	11/2012	Fathollahi	.....	D14/216
D687,020 S *	7/2013	Trainer	.....	D14/222
D694,218 S *	11/2013	Szymanski	.....	D14/216
D700,904 S *	3/2014	Miller	.....	D14/218
D766,844 S *	9/2016	Turksu	.....	D10/104.1
D843,418 S *	3/2019	Demin	.....	D14/496

D849,704 S *	5/2019	Kim	.....	D14/137
D877,149 S *	3/2020	Johnston	.....	D14/218
D886,079 S *	6/2020	Feng	.....	D14/216
D886,268 S *	6/2020	Montagnino	.....	D23/364
D900,788 S *	11/2020	Wang	.....	D14/216
D913,262 S *	3/2021	Allen	.....	D14/215
D920,281 S *	5/2021	DeLuna	.....	D14/204
D945,397 S *	3/2022	Kuang	.....	D14/216
D959,409 S *	8/2022	Desagre	.....	D14/218

\* cited by examiner

*Primary Examiner* — Khawaja Anwar

*Assistant Examiner* — Megan Tiana Rakos

(74) *Attorney, Agent, or Firm* — Sandy Lipkin

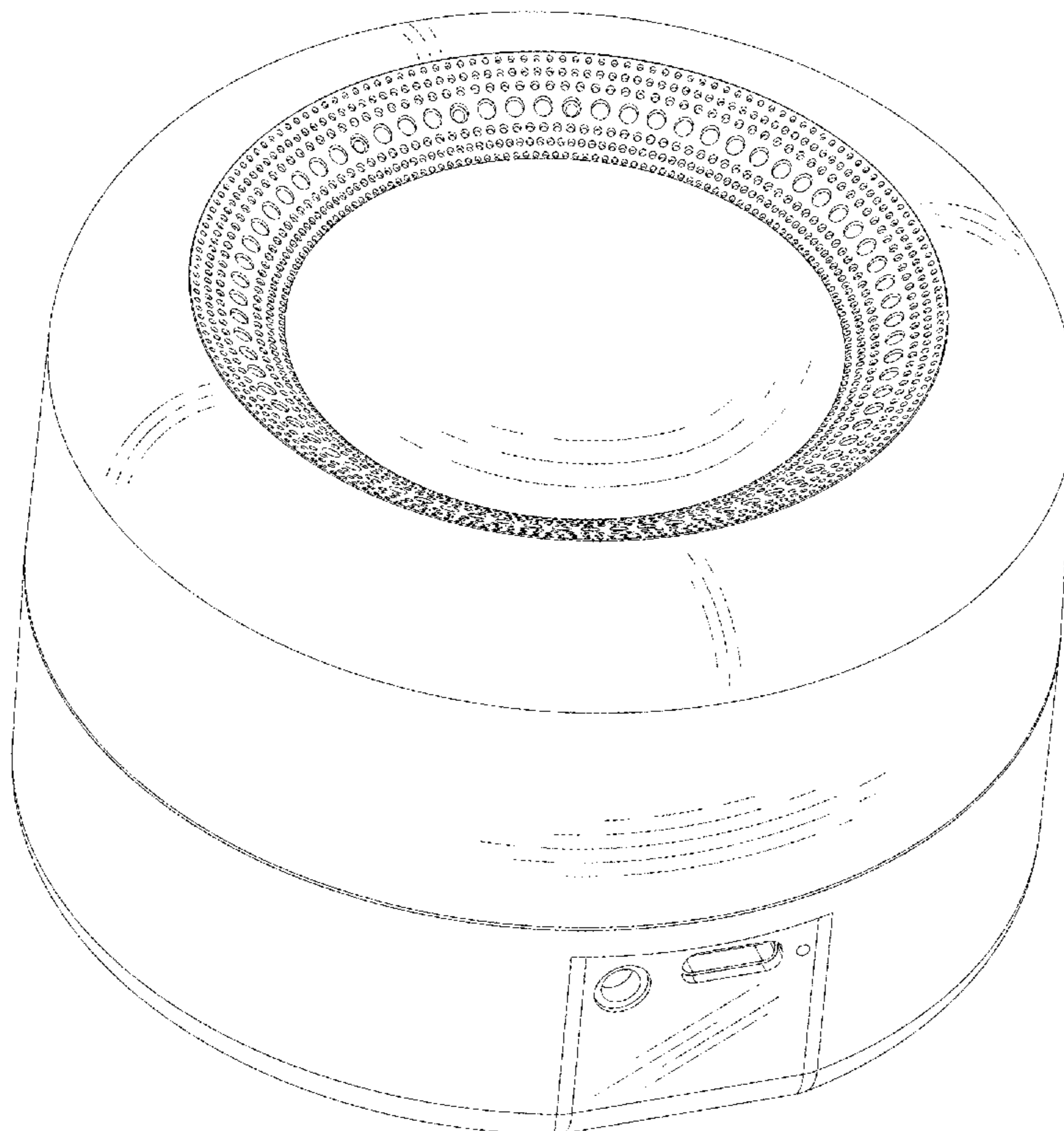
(57) **CLAIM**

The ornamental design for a white noise sleep aid machine, as shown and described.

**DESCRIPTION**

FIG. 1 is a front view of a white noise sleep aid machine, showing my new design;  
FIG. 2 is a top plan view thereof;  
FIG. 3 is a bottom plan view thereof;  
FIG. 4 is a rear plan view thereof;  
FIG. 5 is a left plan view thereof;  
FIG. 6 is a right plan view thereof; and,  
FIG. 7 is a perspective view thereof.  
The broken lines in the drawings depict portions of the white noise sleep aid machine that form no part of the claimed design.

**1 Claim, 7 Drawing Sheets**



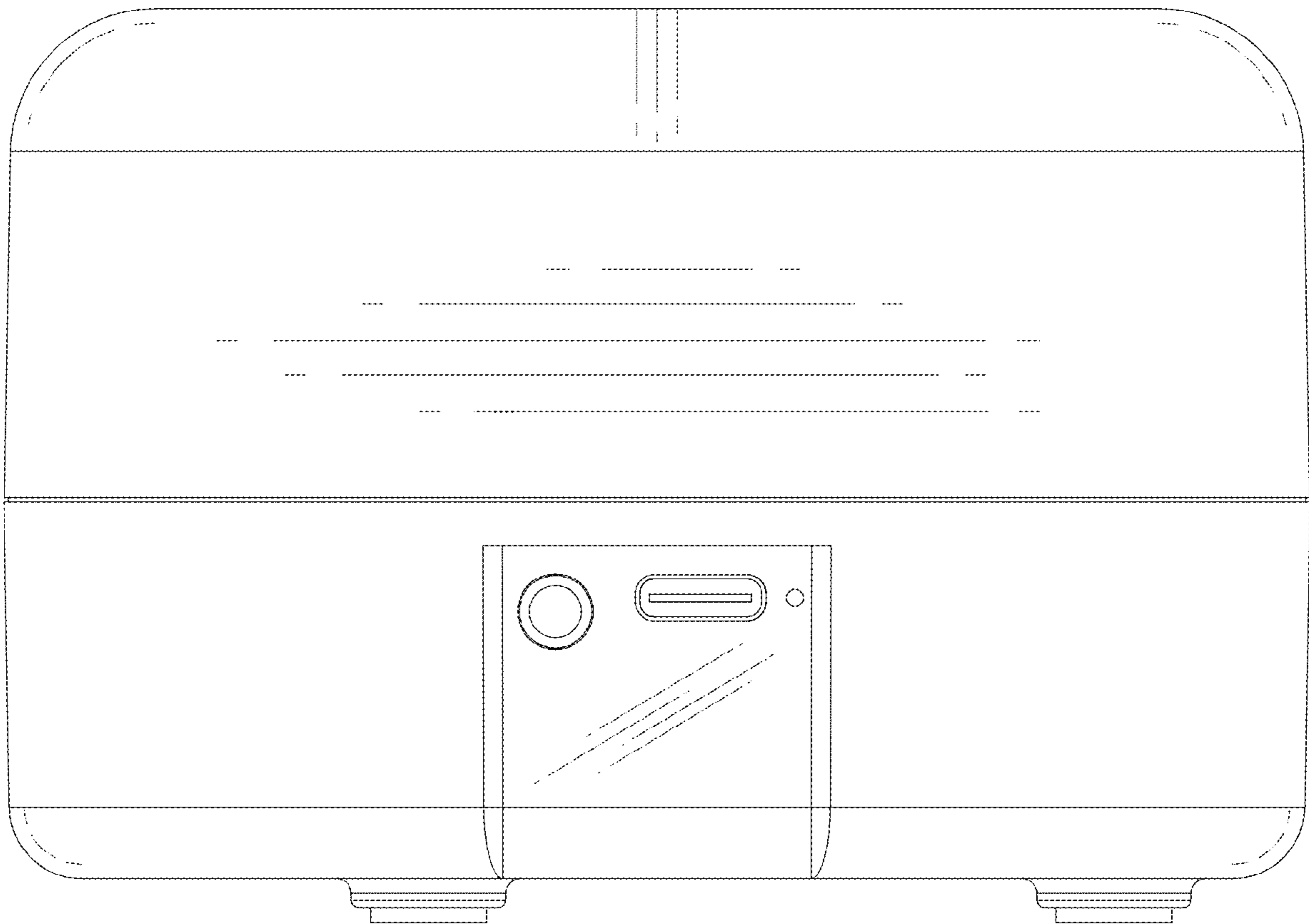


FIG. 1

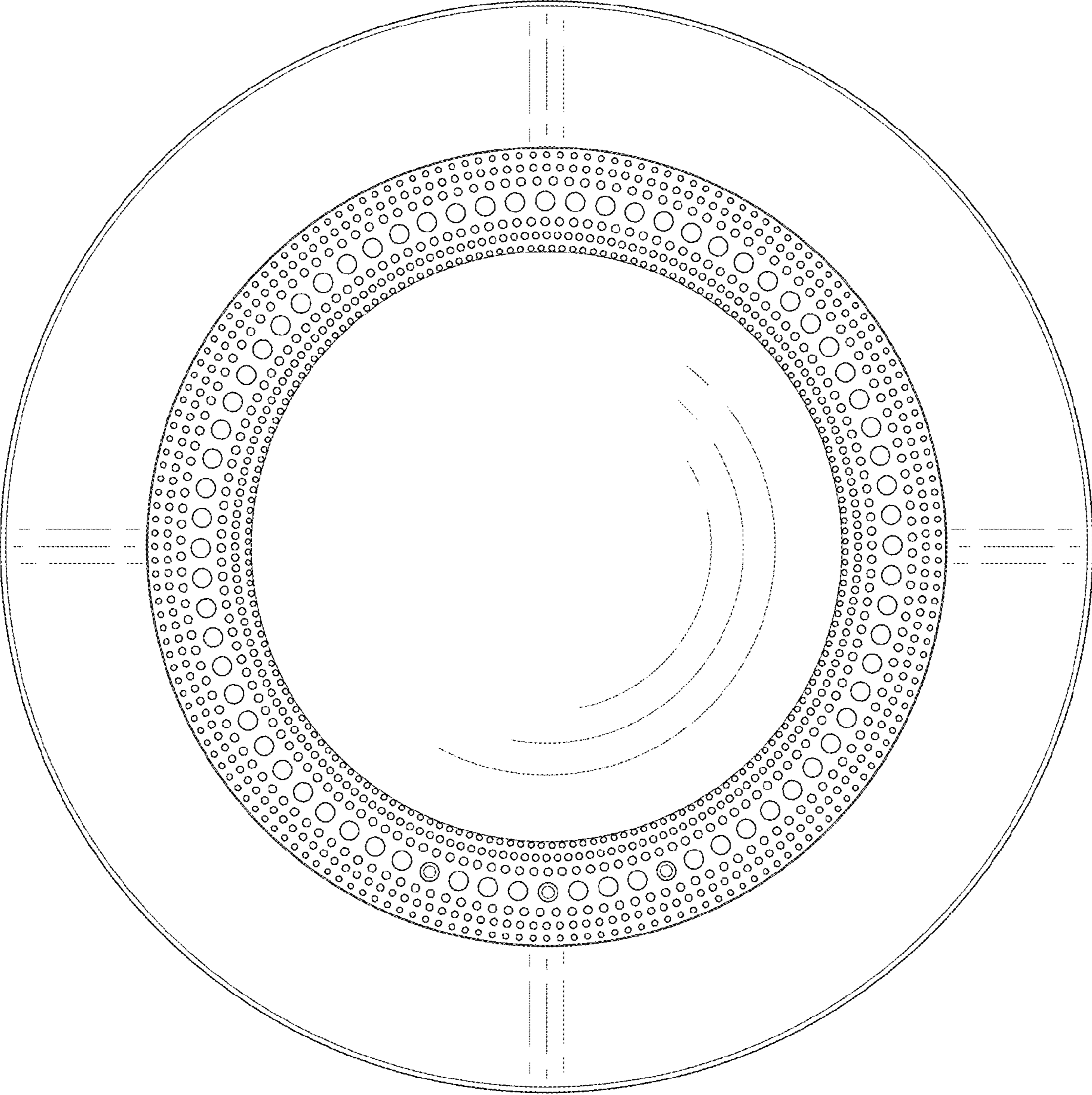


FIG. 2

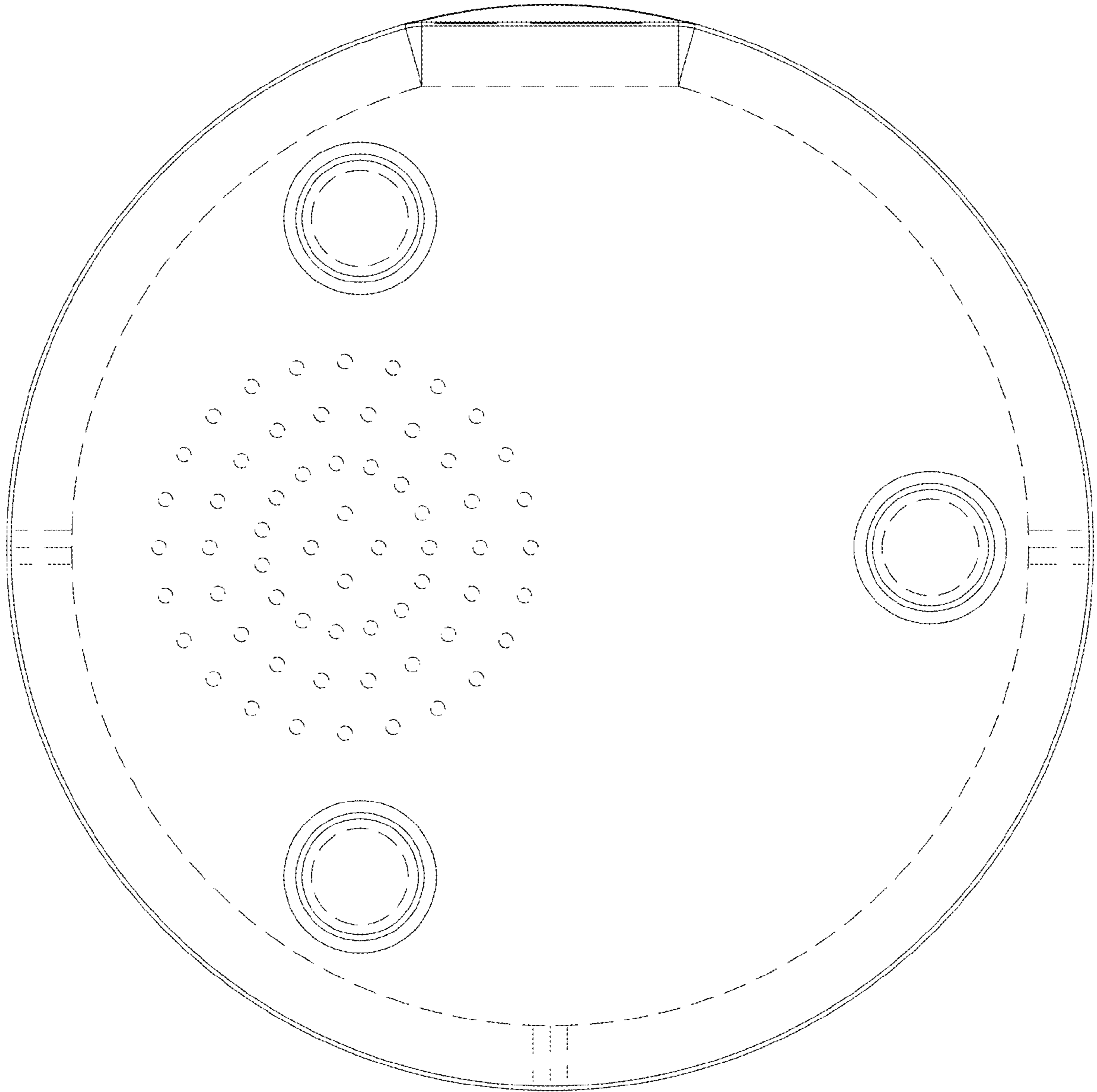


FIG. 3



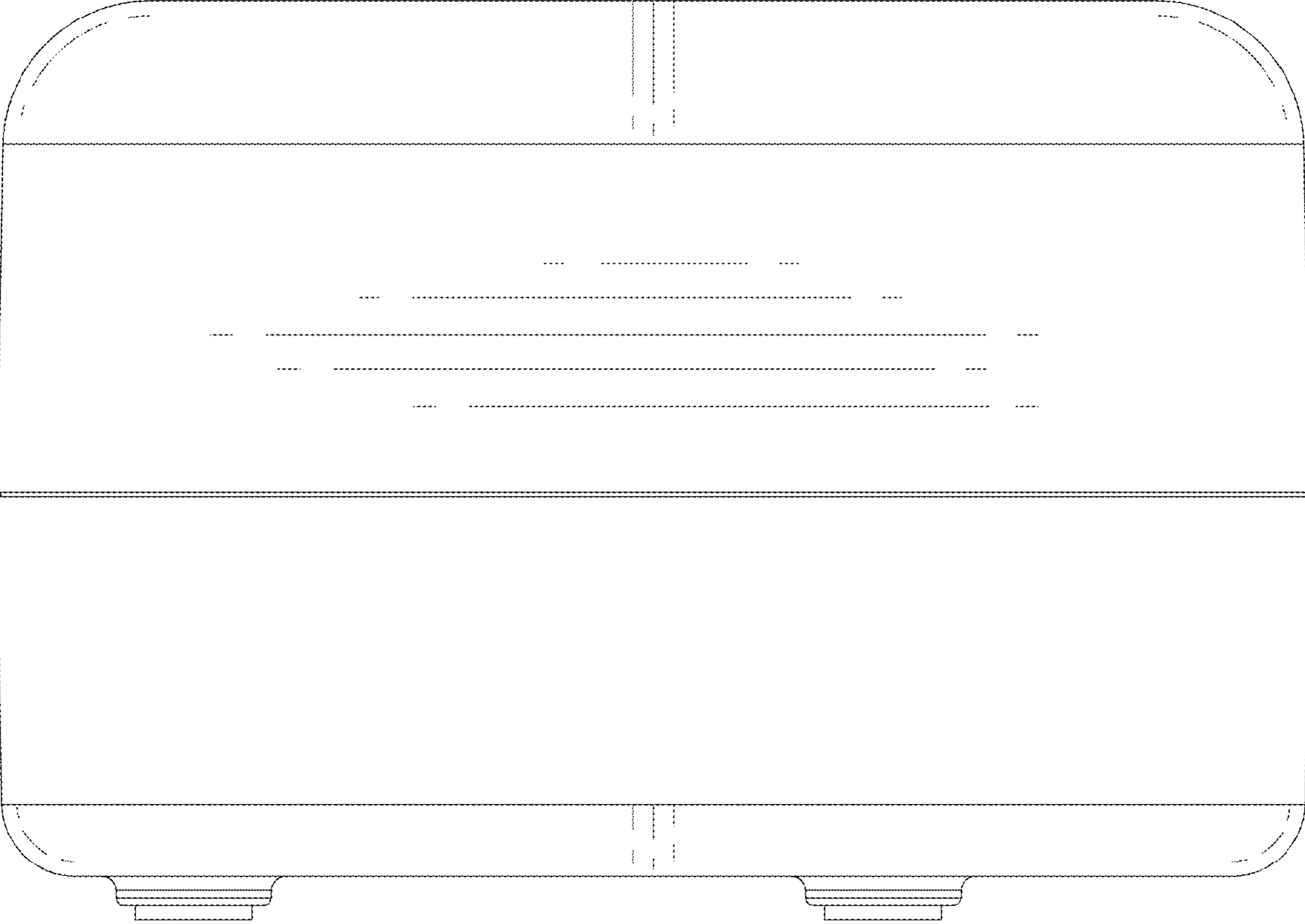


FIG. 4

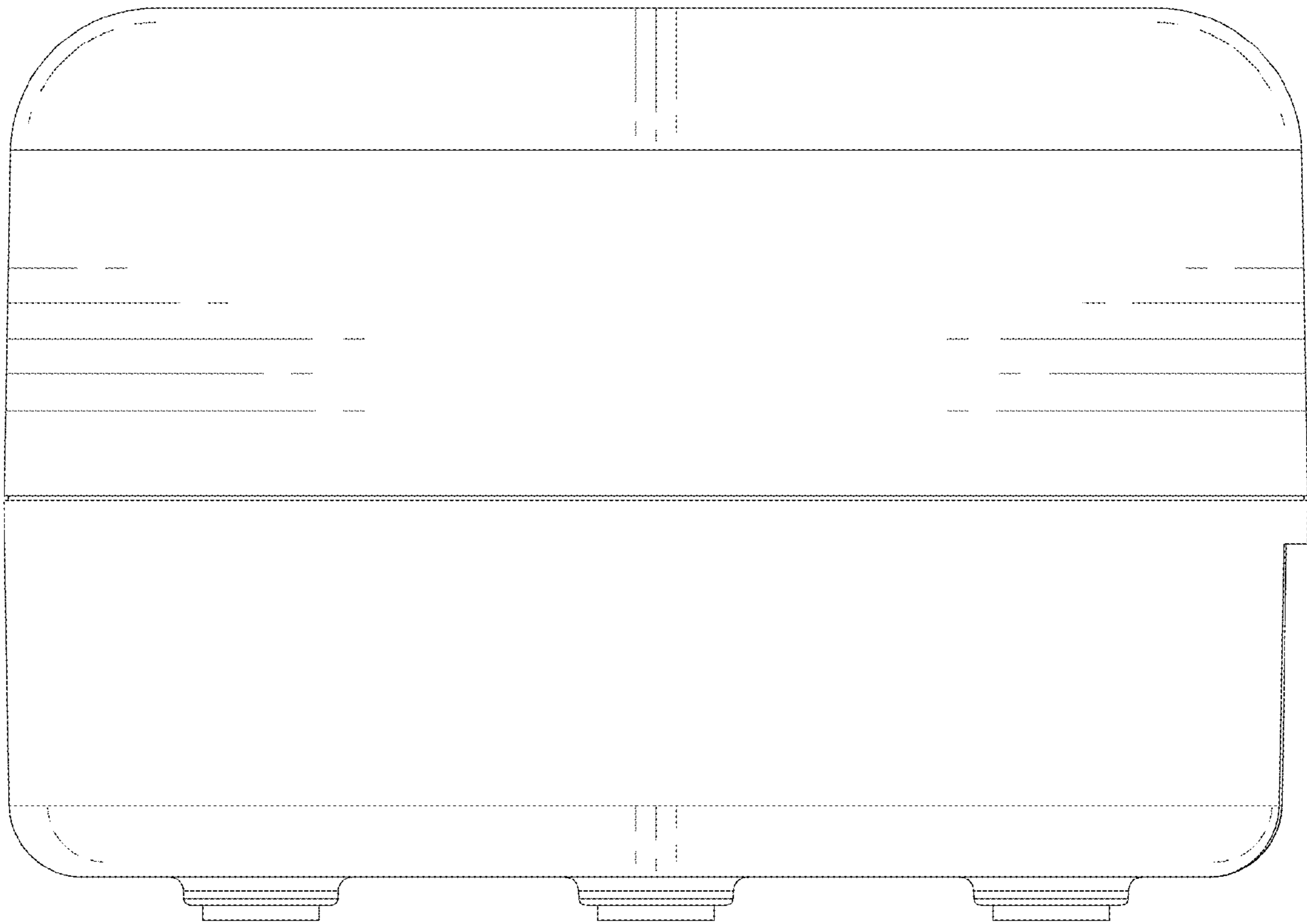


FIG. 5

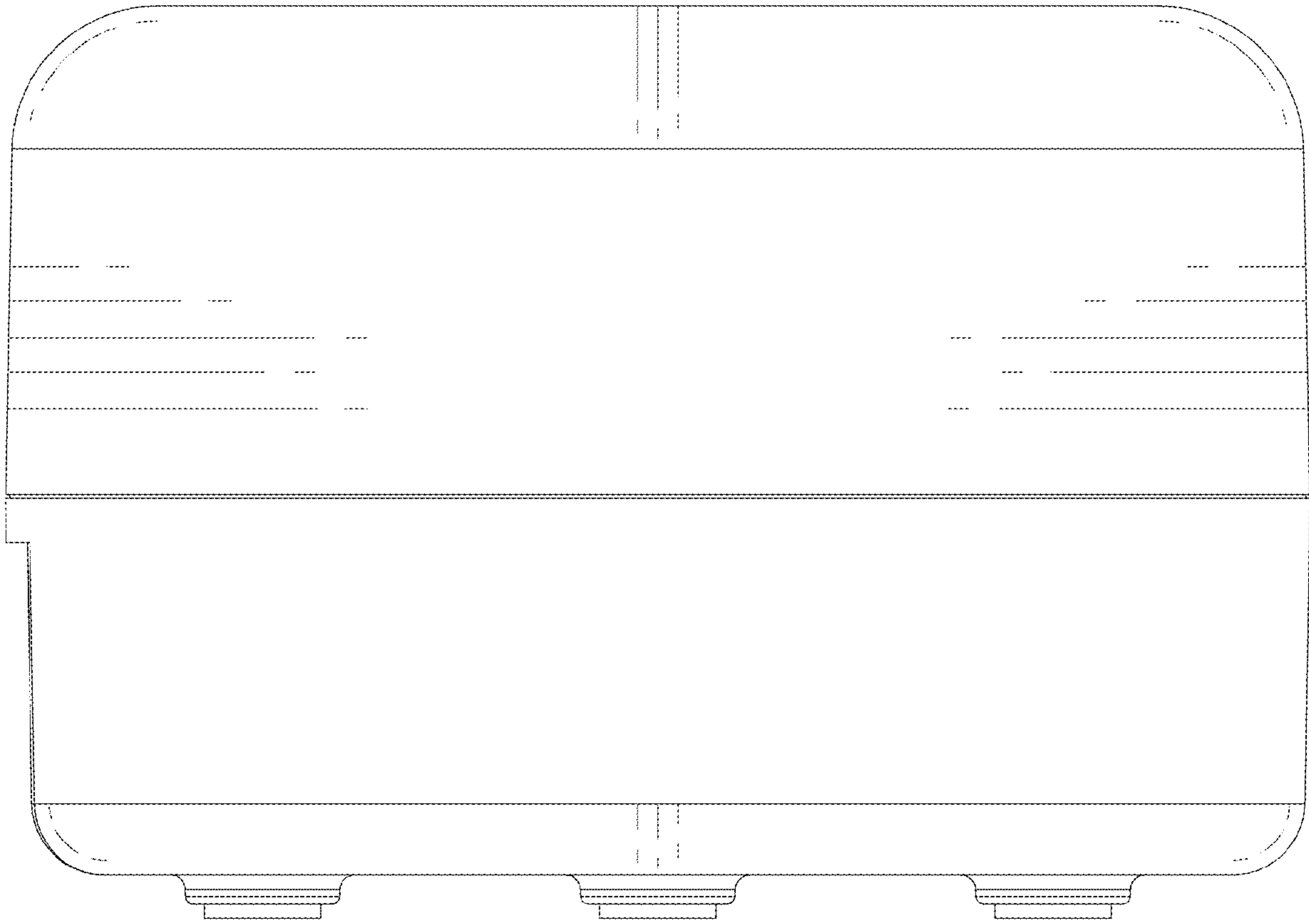


FIG. 6

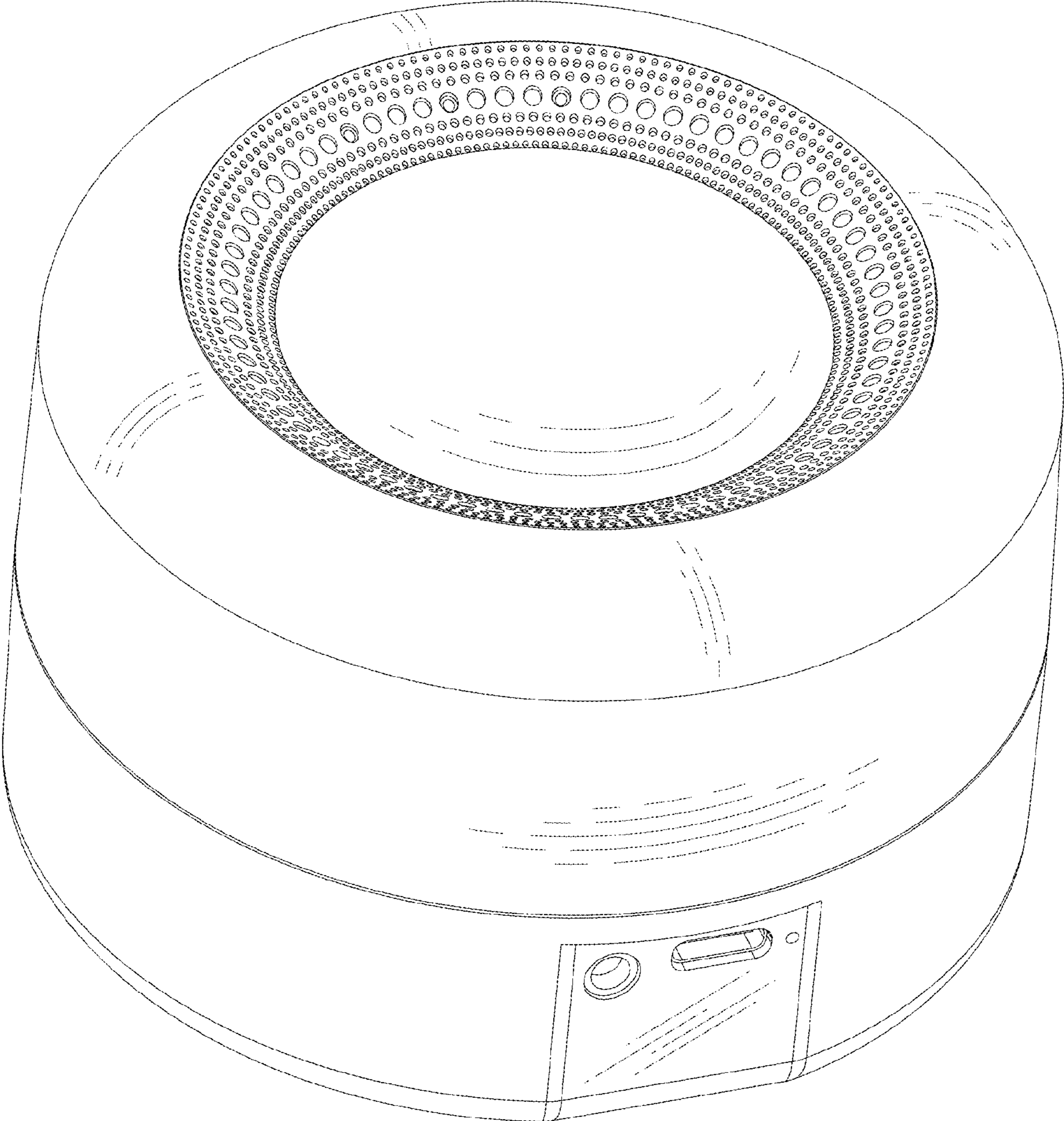


FIG. 7