



US00D989036S

(12) **United States Design Patent** (10) **Patent No.:** **US D989,036 S**
Andrianoely (45) **Date of Patent:** **** Jun. 13, 2023**

(54) **LOUDSPEAKER**
(71) Applicant: **Harman International Industries, Incorporated**, Northridge, CA (US)
(72) Inventor: **Soarivo Marina Andrianoely**, Shenzhen (CN)
(73) Assignee: **Harman International Industries, Incorporated**, Northridge, CA (US)
(**) Term: **15 Years**

D743,940 S 11/2015 Fang et al.
D744,982 S 12/2015 Kim et al.
D754,104 S 4/2016 Koon et al.
D766,873 S * 9/2016 Washio D14/214
D768,603 S 10/2016 Kim et al.
D778,259 S 2/2017 Bouroullec et al.
D785,596 S 5/2017 Lewis et al.
D791,736 S 7/2017 Schoolmeester et al.
D793,362 S 8/2017 Fischer
D797,702 S * 9/2017 Valeur D14/212
D800,694 S 10/2017 Sugiura
D801,310 S 10/2017 Kachwalla et al.
D803,183 S 11/2017 Lum et al.
D806,055 S 12/2017 Fischer et al.

(Continued)

(21) Appl. No.: **29/802,826**
(22) Filed: **Aug. 9, 2021**

Related U.S. Application Data

(62) Division of application No. 29/719,403, filed on Jan. 3, 2020, now Pat. No. Des. 954,023.
(51) **LOC (14) Cl.** **14-01**
(52) **U.S. Cl.**
USPC **D14/214**
(58) **Field of Classification Search**
USPC D14/170–172, 188, 203.1, 203.3, 203.6, D14/204, 214, 216, 348; D26/51, 104
CPC . H04R 1/02; H04R 1/023; H04R 5/02; H04R 7/00; H04R 7/02; H04R 9/06; H04R 2400/00
See application file for complete search history.

References Cited

U.S. PATENT DOCUMENTS

D621,815 S 8/2010 Sakai
D631,866 S 2/2011 Solland
D660,284 S 5/2012 Carbone
D681,606 S 5/2013 Nishii et al.
D711,852 S 8/2014 Mackiewicz et al.
D715,259 S * 10/2014 Han D14/214
D715,770 S 10/2014 McManigal
D743,373 S * 11/2015 Kim D14/215

OTHER PUBLICATIONS

Office Action dated Nov. 8, 2022 in Design U.S. Appl. No. 29/777,765.
(Continued)

Primary Examiner — Janice Patyk
(74) *Attorney, Agent, or Firm* — Plumsea Law Group, LLC

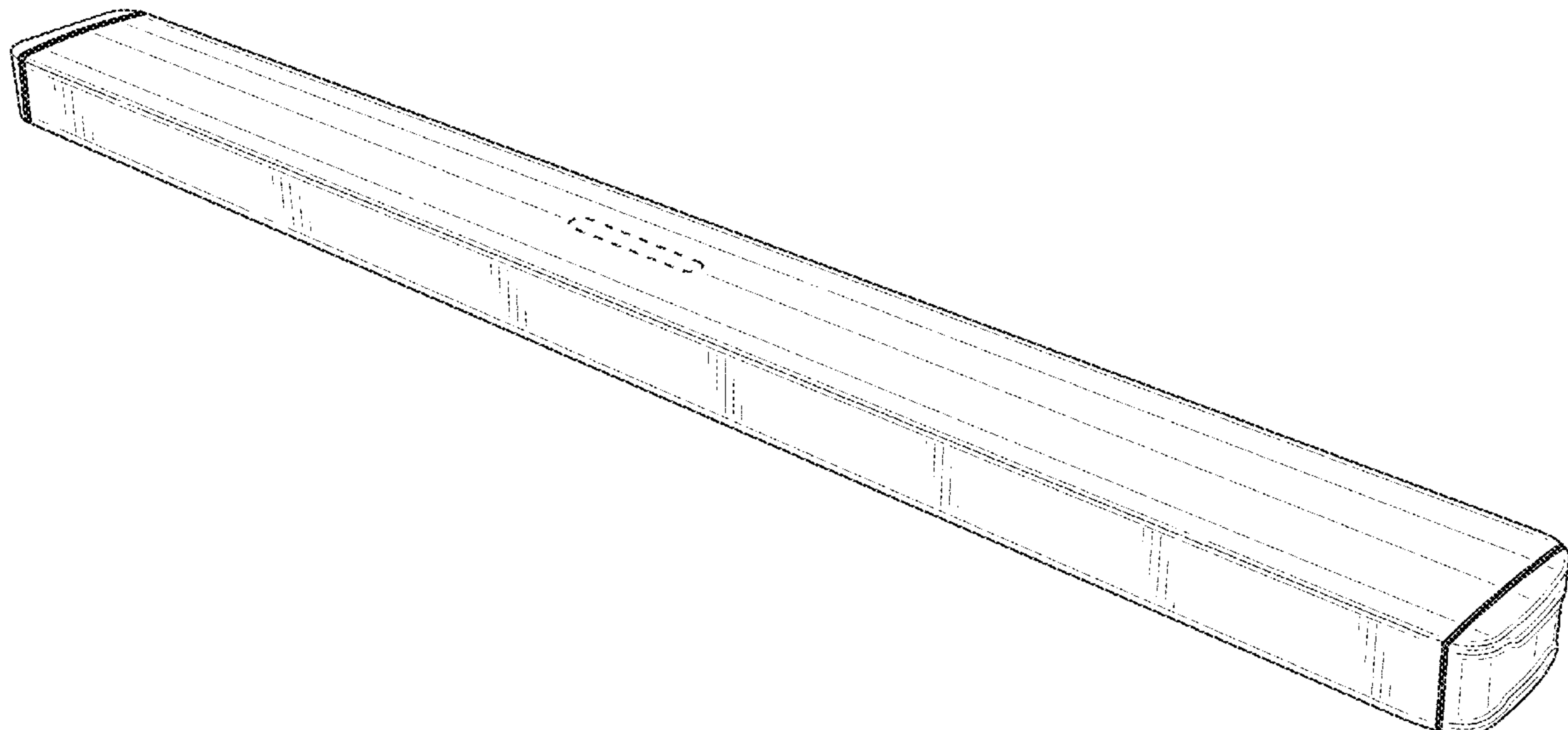
(57) **CLAIM**

The ornamental design for a loudspeaker, as shown and described.

DESCRIPTION

FIG. 1 is a top perspective view of a loudspeaker showing the new design;
FIG. 2 is a front elevational view thereof;
FIG. 3 is a rear elevational view thereof;
FIG. 4 is a side elevational view thereof;
FIG. 5 is an opposite side elevational view thereof;
FIG. 6 is a top view thereof; and,
FIG. 7 is a bottom view thereof.
The broken lines illustrate portions of the loudspeaker that form no part of the claimed design.

1 Claim, 6 Drawing Sheets



(56)

References Cited

U.S. PATENT DOCUMENTS

D826,216 S	8/2018	Schoolmeester et al.	
D826,891 S	8/2018	Kim et al.	
D826,892 S	8/2018	Kim et al.	
D827,610 S *	9/2018	Kim	D14/214
D839,239 S *	1/2019	Kim	D14/214
D845,269 S	4/2019	Fang et al.	
D850,409 S *	6/2019	Won	D14/214
D852,774 S	7/2019	Sugiura	
D856,301 S	8/2019	Lum et al.	
D862,415 S	10/2019	Krizan et al.	
D868,726 S	12/2019	Kim et al.	
D876,377 S	2/2020	Diao et al.	
D883,953 S *	5/2020	Chong	D14/214
D886,799 S	6/2020	Yang et al.	
D900,060 S	10/2020	Oota	
D900,785 S *	11/2020	Kim	D14/214
D900,786 S	11/2020	Kim et al.	
D906,278 S	12/2020	Laine et al.	
D906,283 S	12/2020	Schoolmeester et al.	
D906,286 S	12/2020	Hung	
D911,303 S	2/2021	Yang et al.	
D932,461 S *	10/2021	Hung	D14/204

OTHER PUBLICATIONS

Office Action dated Nov. 8, 2022 in Design U.S. Appl. No. 29/777,775.
Harman JBL Link Bar Specification Sheet, 2018.

* cited by examiner

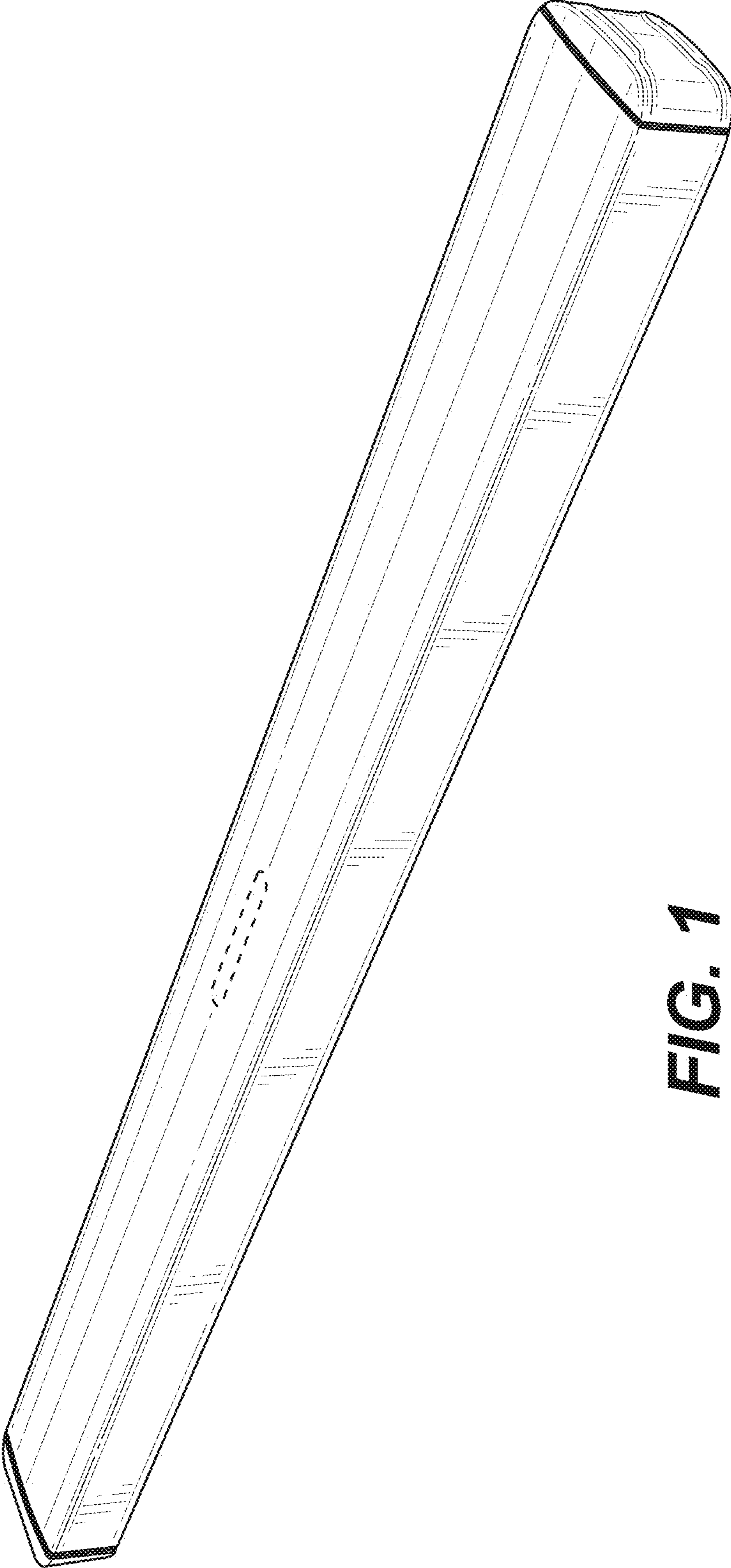


FIG. 1

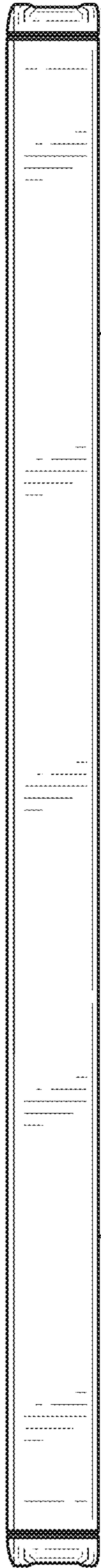


FIG. 2



FIG. 3

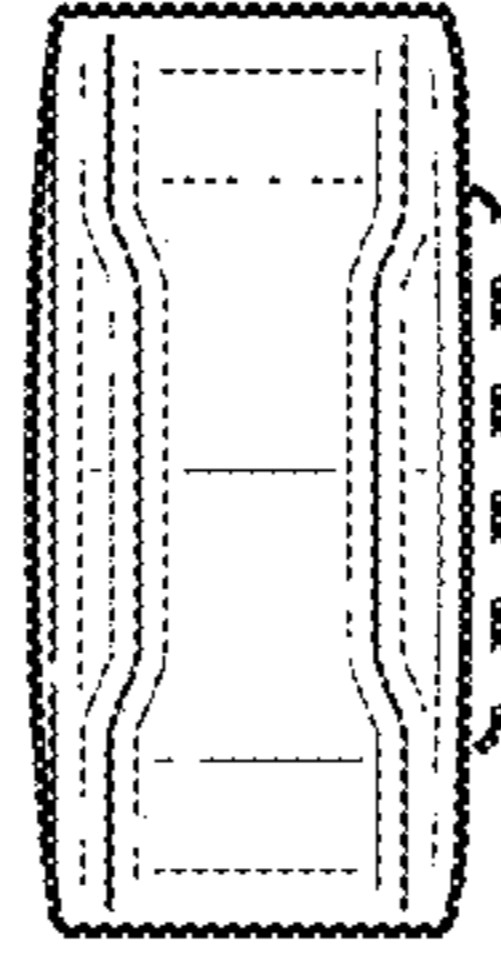


FIG. 4

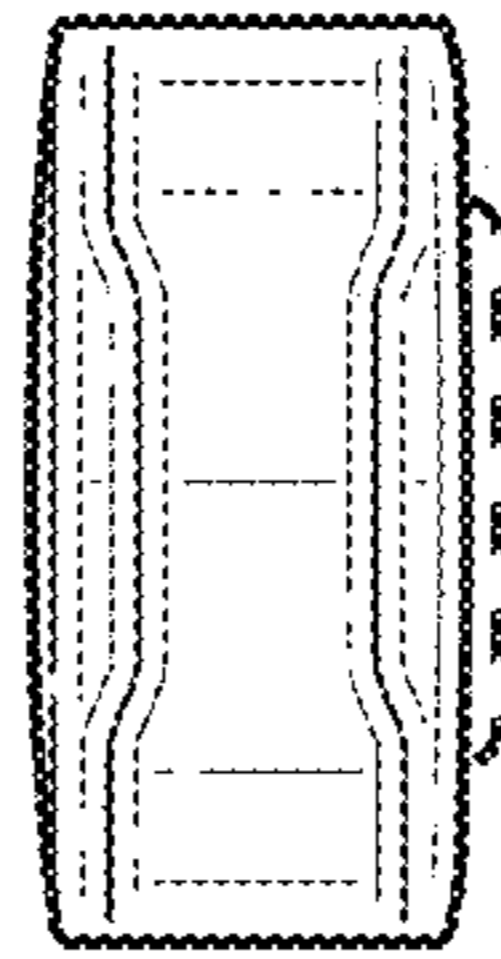


FIG. 5

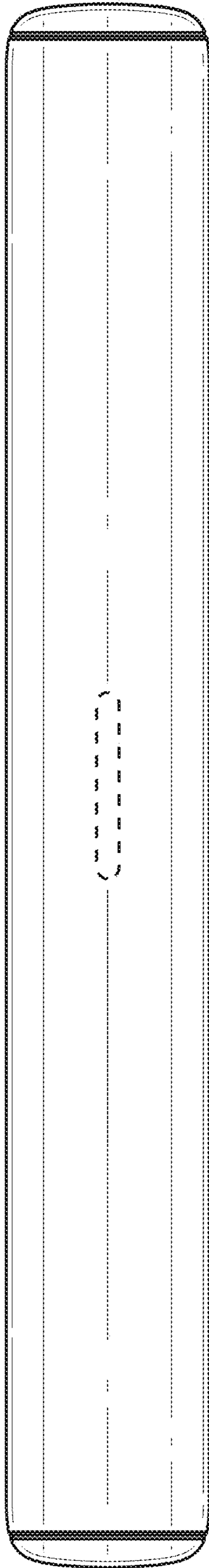


FIG. 6

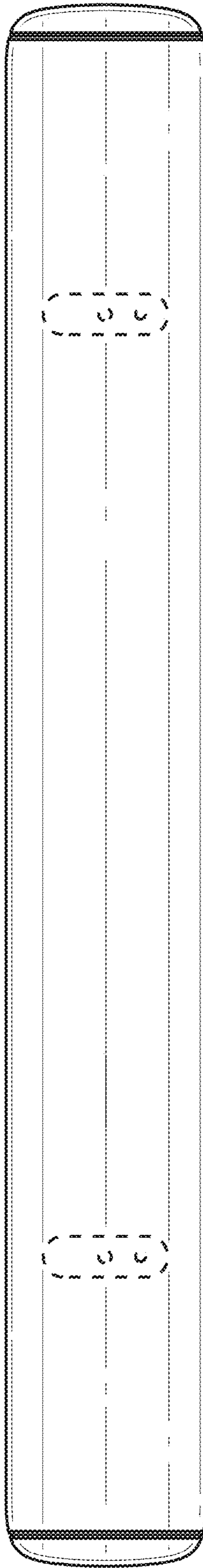


FIG. 7