



US00D989035S

(12) **United States Design Patent** (10) **Patent No.:** **US D989,035 S**  
**Andrianoely** (45) **Date of Patent:** **\*\* Jun. 13, 2023**

(54) **LOUDSPEAKER**  
(71) Applicant: **Harman International Industries, Incorporated**, Northridge, CA (US)  
(72) Inventor: **Soarivo Marina Andrianoely**, Shenzhen (CN)  
(73) Assignee: **Harman International Industries, Incorporated**, Northridge, CA (US)  
(\*\*) Term: **15 Years**  
(21) Appl. No.: **29/802,822**  
(22) Filed: **Aug. 9, 2021**

D715,770 S 10/2014 McManigal  
D743,940 S 11/2015 Yang et al.  
D744,982 S 12/2015 Kim et al.  
D750,596 S \* 3/2016 Li ..... D14/216  
D754,104 S 4/2016 Yoon et al.  
D768,603 S 10/2016 Kim et al.  
D778,259 S \* 2/2017 Bouroullec ..... D14/214  
D785,596 S 5/2017 Lewis et al.  
D791,736 S 7/2017 Schoolmeester et al.  
D793,362 S 8/2017 Fischer  
D800,694 S 10/2017 Sugiura  
D801,310 S 10/2017 Kachwalla et al.  
D803,183 S 11/2017 Lum et al.  
D806,055 S 12/2017 Fischer et al.  
D820,237 S \* 6/2018 Wei ..... D14/214

(Continued)

**Related U.S. Application Data**

(62) Division of application No. 29/719,403, filed on Jan. 3, 2020, now Pat. No. Des. 954,023.  
(51) **LOC (14) Cl.** ..... **14-01**  
(52) **U.S. Cl.**  
USPC ..... **D14/214**  
(58) **Field of Classification Search**  
USPC ..... D14/170-172, 188, 203.1, 203.3, 203.6, D14/204, 214, 216, 348; D26/51, 104  
CPC . H04R 1/02; H04R 1/023; H04R 5/02; H04R 7/00; H04R 7/02; H04R 9/06; H04R 2400/00  
See application file for complete search history.

**References Cited**

**U.S. PATENT DOCUMENTS**

D484,252 S \* 12/2003 Hughes ..... D25/121  
D621,815 S 8/2010 Sakai  
D631,866 S 2/2011 Solland  
D641,338 S \* 7/2011 Chen ..... D14/214  
D660,284 S 5/2012 Carbone  
D681,606 S \* 5/2013 Nishii ..... D14/214  
D711,852 S 8/2014 Mackiewicz et al.  
D712,952 S \* 9/2014 Sumii ..... D16/218

**OTHER PUBLICATIONS**

Harman JBL Link Bar Specification Sheet, 2018.  
(Continued)

*Primary Examiner* — Janice Patyk  
(74) *Attorney, Agent, or Firm* — Plumsea Law Group, LLC

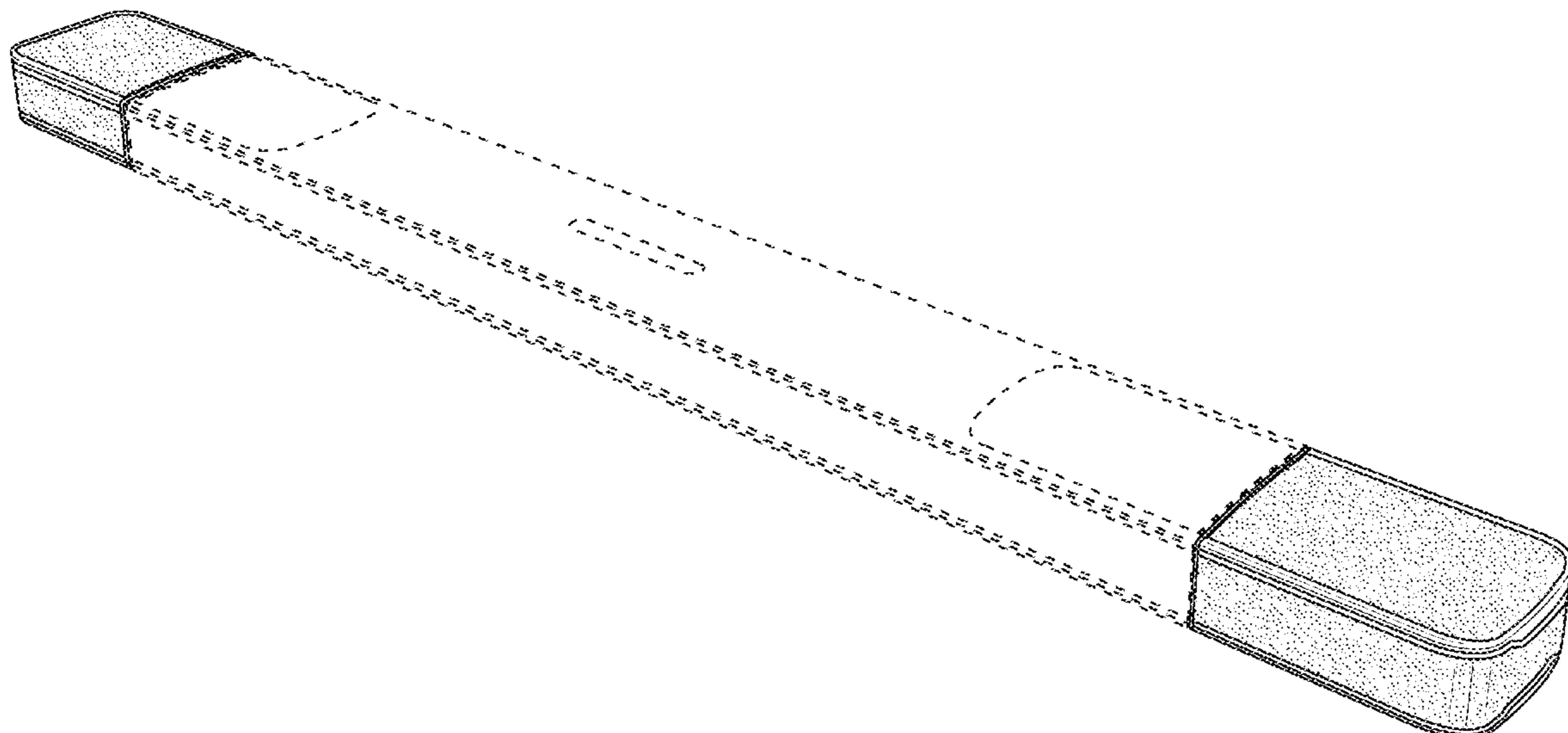
**CLAIM**

(57) The ornamental design for a loudspeaker, as shown and described.

**DESCRIPTION**

FIG. 1 is a top perspective view of a loudspeaker showing the new design;  
FIG. 2 is a front elevational view thereof;  
FIG. 3 is a rear elevational view thereof;  
FIG. 4 is a side elevational view thereof;  
FIG. 5 is an opposite side elevational view thereof;  
FIG. 6 is a top view thereof; and,  
FIG. 7 is a bottom view thereof.  
The broken lines illustrate portions of the loudspeaker that form no part of the claimed design.

**1 Claim, 6 Drawing Sheets**



(56)

**References Cited**

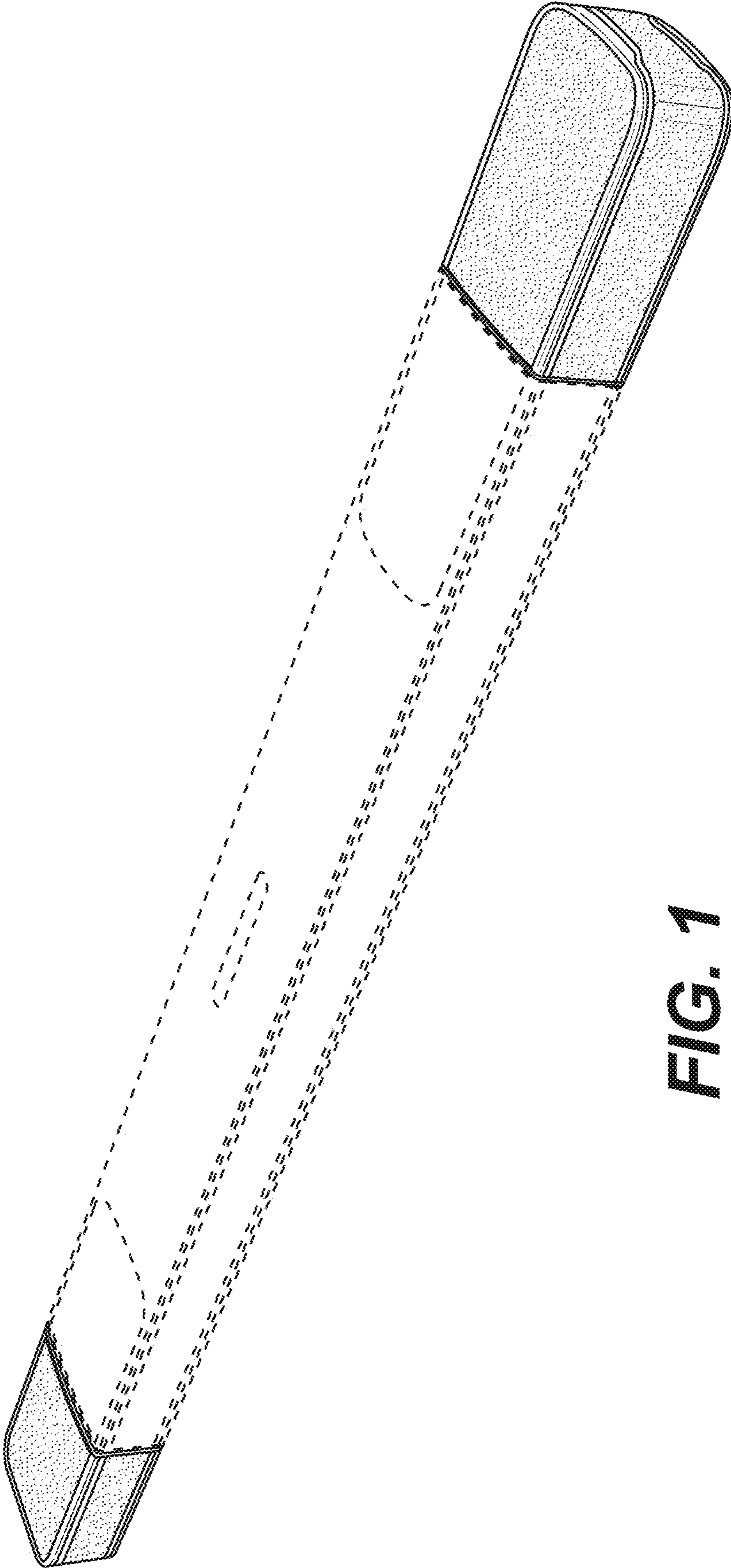
U.S. PATENT DOCUMENTS

D822,001 S \* 7/2018 Won ..... D14/214  
D823,821 S \* 7/2018 Kim ..... D14/125  
D826,216 S 8/2018 Schoolmeester et al.  
D826,891 S 8/2018 Kim et al.  
D826,892 S 8/2018 Kim et al.  
D845,269 S 4/2019 Yang et al.  
D852,774 S 7/2019 Sugiura  
D856,301 S 8/2019 Lum et al.  
D862,415 S 10/2019 Krizan et al.  
D868,726 S 12/2019 Kim et al.  
D876,377 S 2/2020 Diao et al.  
D886,799 S \* 6/2020 Yang ..... D14/204  
D900,060 S 10/2020 Oota  
D900,785 S 11/2020 Kim et al.  
D900,786 S 11/2020 Kim et al.  
D906,278 S 12/2020 Laine et al.  
D906,283 S 12/2020 Schoolmeester et al.  
D906,286 S 12/2020 Hung  
D911,303 S \* 2/2021 Yang ..... D14/204  
D915,350 S \* 4/2021 Kitazawa ..... D14/214  
D954,023 S \* 6/2022 Andrianoely ..... D14/204

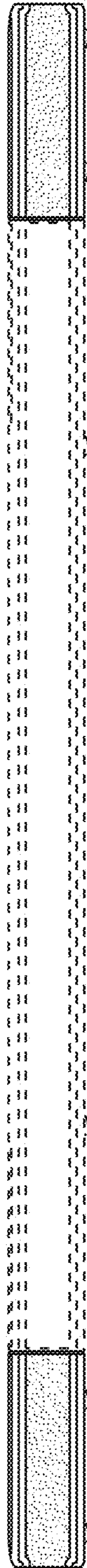
OTHER PUBLICATIONS

Office Action dated Nov. 8, 2022 in Design U.S. Appl. No. 29/777,765.  
Office Action dated Nov. 8, 2022 in Design U.S. Appl. No. 29/777,775.

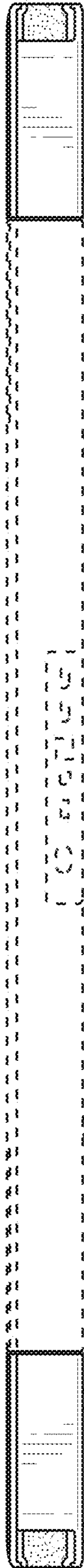
\* cited by examiner



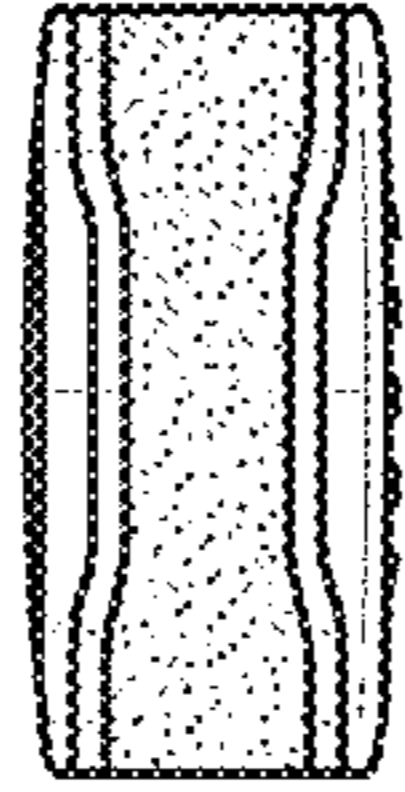
**FIG. 1**



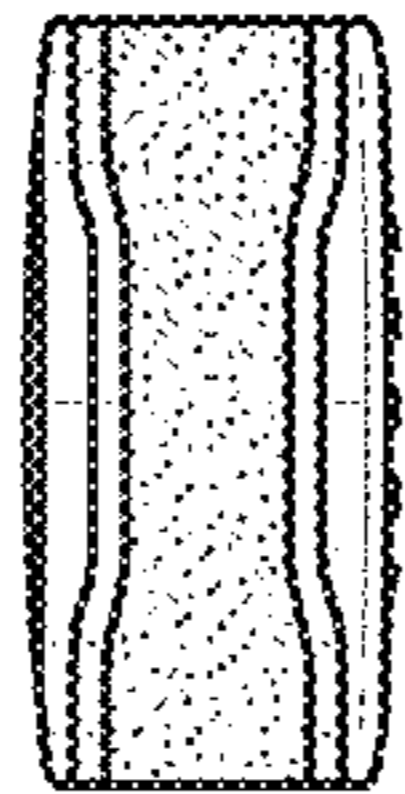
**FIG. 2**



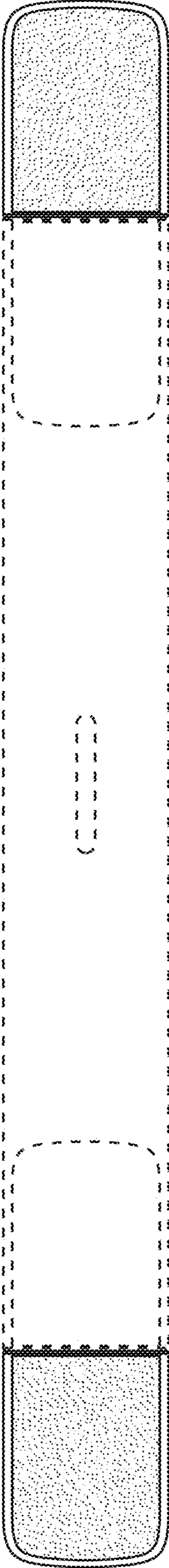
**FIG. 3**



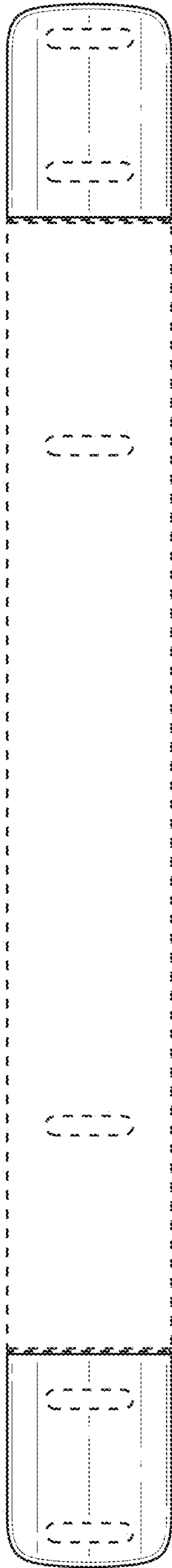
**FIG. 5**



**FIG. 4**



**FIG. 6**



**FIG. 7**