



US00D989031S

(12) **United States Design Patent**  
**Shuman et al.**

(10) **Patent No.:** **US D989,031 S**  
(45) **Date of Patent:** **\*\* Jun. 13, 2023**

(54) **ENCLOSURE FOR A VOICE ASSISTANT DEVICE**

D716,264 S \* 10/2014 Park ..... D14/215  
D729,201 S \* 5/2015 Park ..... D14/214  
D842,847 S \* 3/2019 Walliser ..... D14/240

(Continued)

(71) Applicant: **Global Strategies International LLC**,  
Bend, OR (US)

*Primary Examiner* — Khawaja Anwar

(72) Inventors: **Eric Shuman**, Bend, OR (US); **Brad Wilcox**, Redmond, OR (US); **Paul Henry**, Bend, OR (US); **Jeremy Sanchez**, Bend, OR (US)

*Assistant Examiner* — Megan Tiana Rakos

(74) *Attorney, Agent, or Firm* — Haug Partners LLP

(73) Assignee: **GLOBAL STRATEGIES INTERNATIONAL LLC**, Bend, OR (US)

(57) **CLAIM**

The ornamental design for an enclosure of a voice assistant device, as shown and described.

(\*\*) Term: **15 Years**

**DESCRIPTION**

(21) Appl. No.: **29/747,840**

FIG. 1 is a front perspective view of an enclosure for a voice assistant device in accordance with a first embodiment of the invention;

(22) Filed: **Aug. 25, 2020**

FIG. 2 is a top perspective view of the embodiment in FIG. 1;

(51) **LOC (14) Cl.** ..... **14-01**

FIG. 3 is a right perspective view of the embodiment in FIG. 1;

(52) **U.S. Cl.**

USPC ..... **D14/204**

FIG. 4 is a bottom perspective view of the embodiment in FIG. 1;

(58) **Field of Classification Search**

USPC ... D14/168, 171, 172, 209.1, 210, 204, 211,  
D14/212, 215; D3/373; D9/432;  
D23/364

FIG. 5 is a front perspective view of an enclosure for a voice assistant device in accordance with a second embodiment of the invention;

CPC ... H04R 1/26; H04R 1/00; H04R 1/02; H04R  
1/403; H04R 1/2873; H02J 7/0042

FIG. 6 is a top perspective view of the embodiment in FIG. 5;

See application file for complete search history.

FIG. 7 is a right perspective view of the embodiment in FIG. 5;

(56) **References Cited**

**U.S. PATENT DOCUMENTS**

D526,640 S \* 8/2006 Chin ..... D14/188  
D598,897 S \* 8/2009 Arneson ..... D14/215  
D617,775 S \* 6/2010 Chae ..... D14/215  
D645,453 S \* 9/2011 Kim ..... D14/215  
D673,517 S \* 1/2013 DeVesto ..... D14/195  
D690,280 S \* 9/2013 Schul ..... D14/188  
D714,759 S \* 10/2014 Kim ..... D14/215

FIG. 8 is a bottom perspective view of the embodiment in FIG. 5;

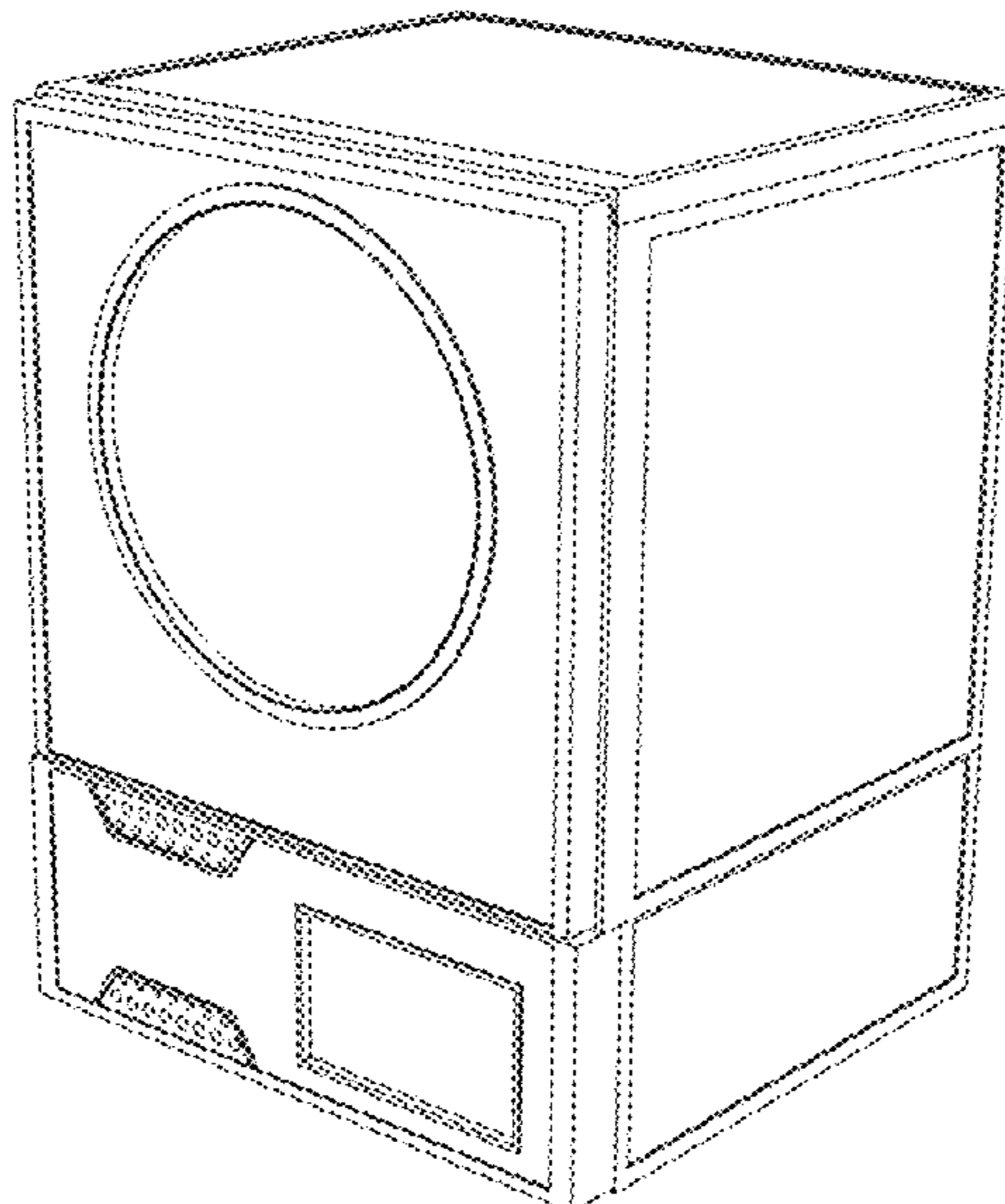
FIG. 9 is a front perspective view of an enclosure for a voice assistant device in accordance with a third embodiment of the invention;

FIG. 10 is a top perspective view of the embodiment in FIG. 9;

FIG. 11 is a right perspective view of the embodiment in FIG. 9; and,

FIG. 12 is a bottom perspective view of the embodiment in FIG. 9.

**1 Claim, 12 Drawing Sheets**



(56)

**References Cited**

U.S. PATENT DOCUMENTS

D851,619 S \* 6/2019 McManigal ..... D14/204  
D877,119 S \* 3/2020 Choi ..... D14/214

\* cited by examiner

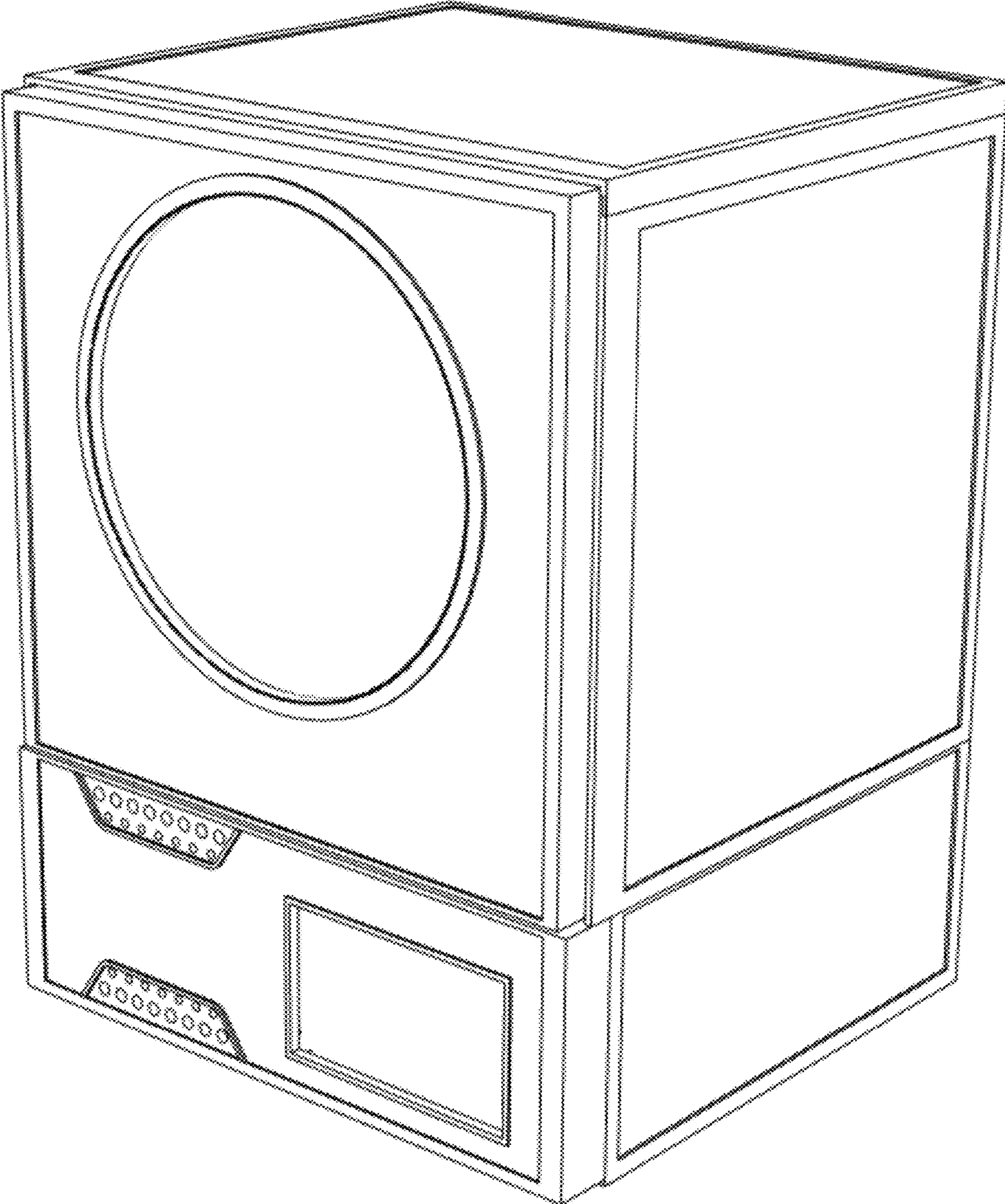


FIG. 1



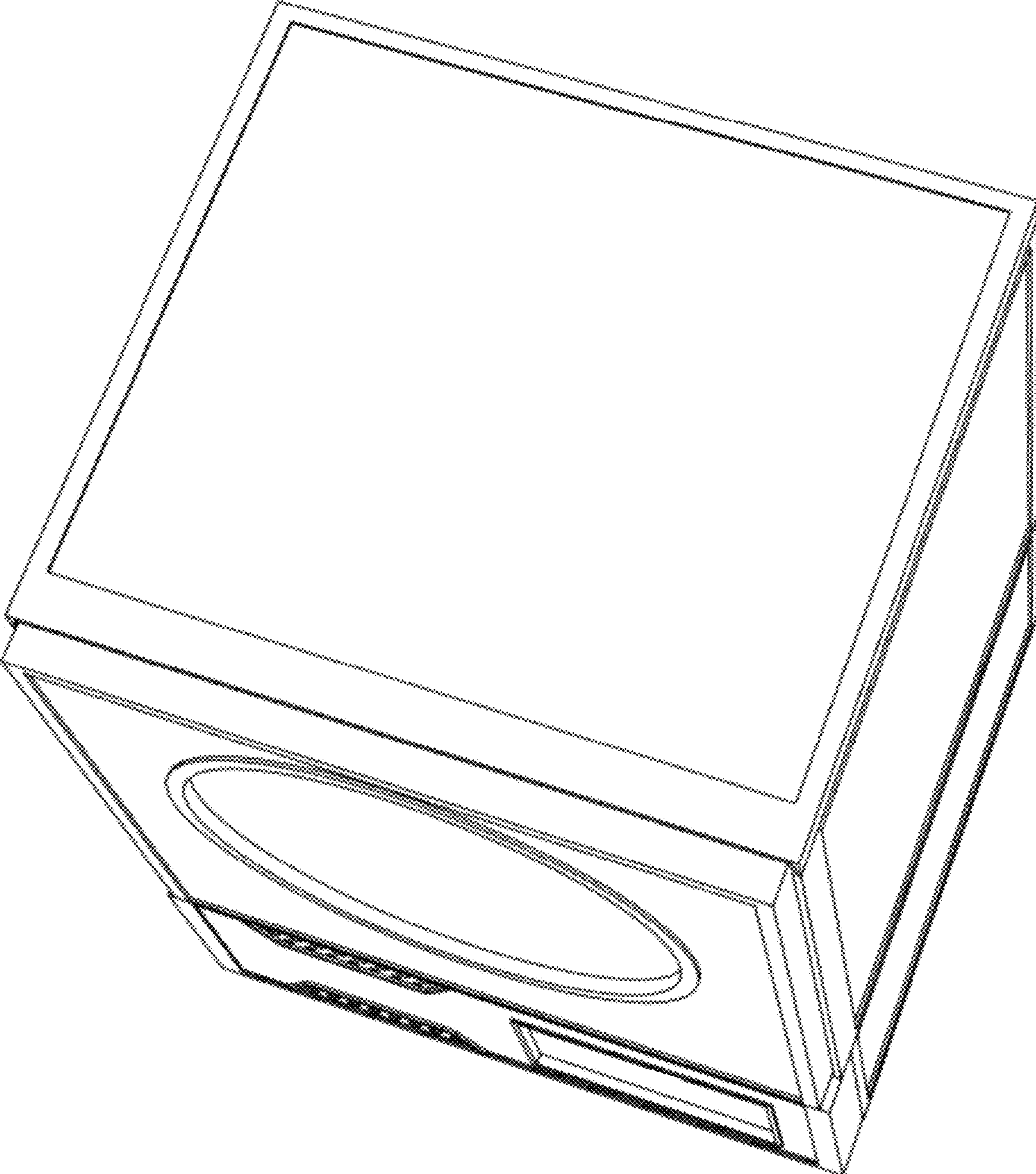


FIG. 2

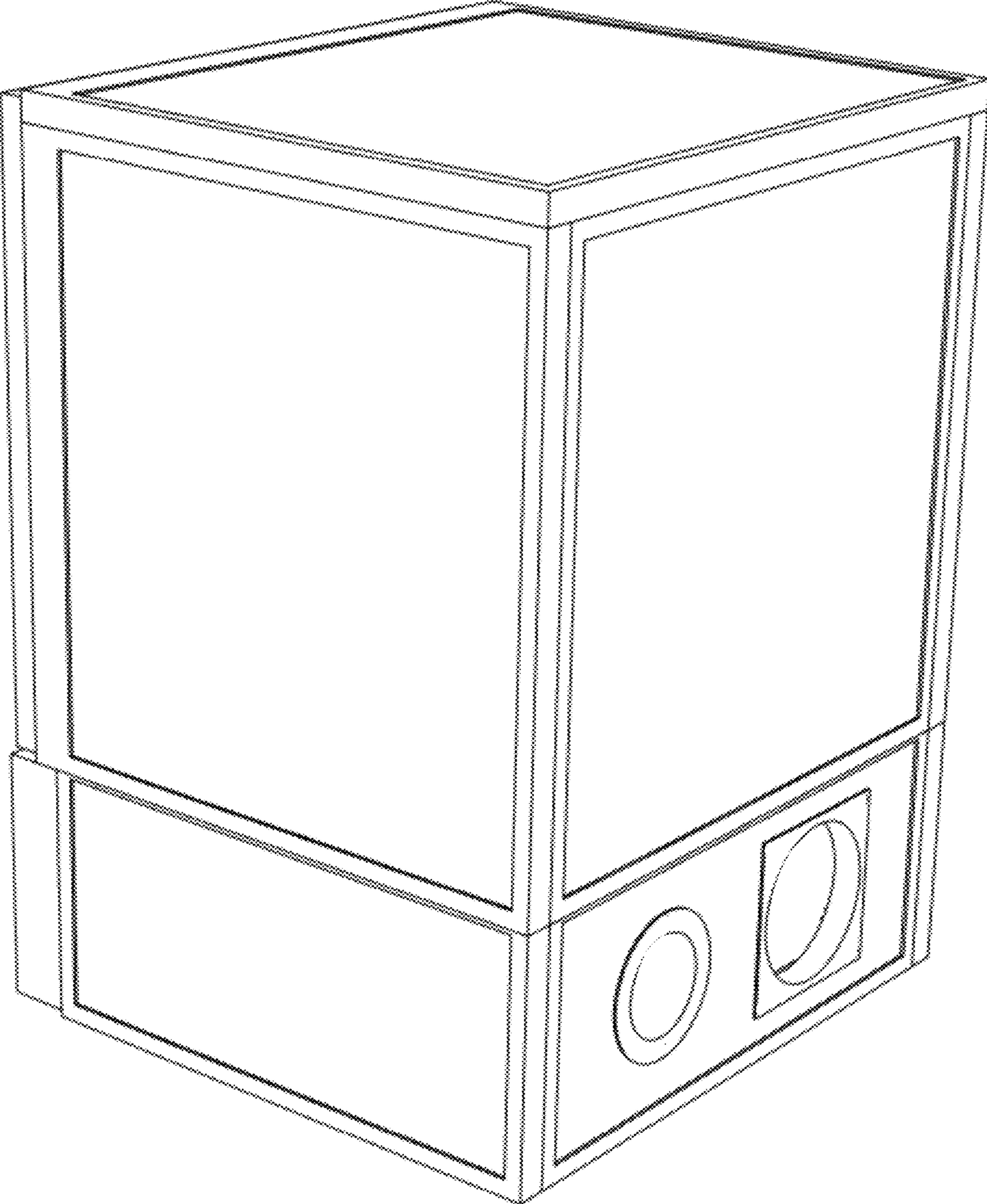


FIG. 3



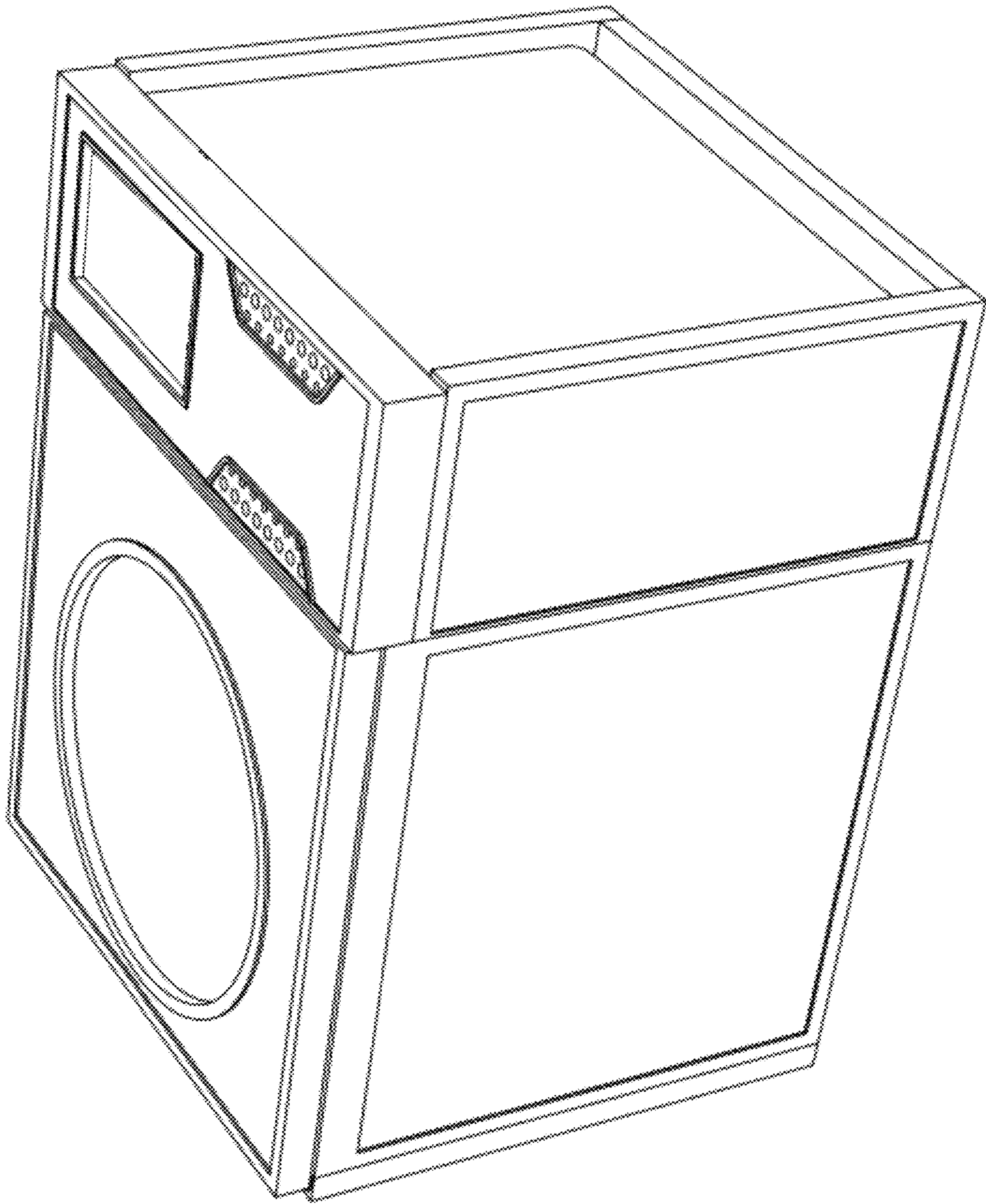


FIG. 4

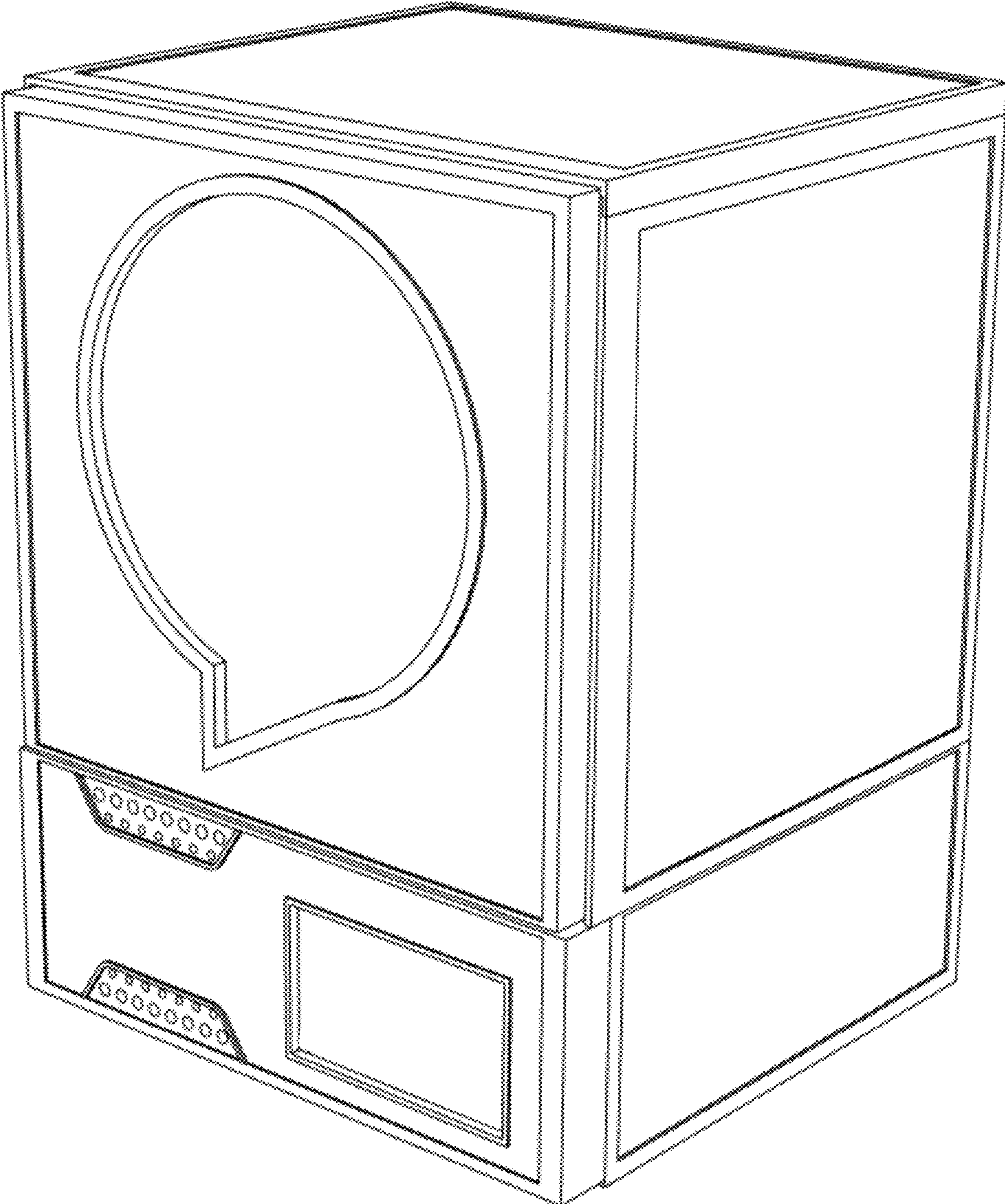


FIG. 5



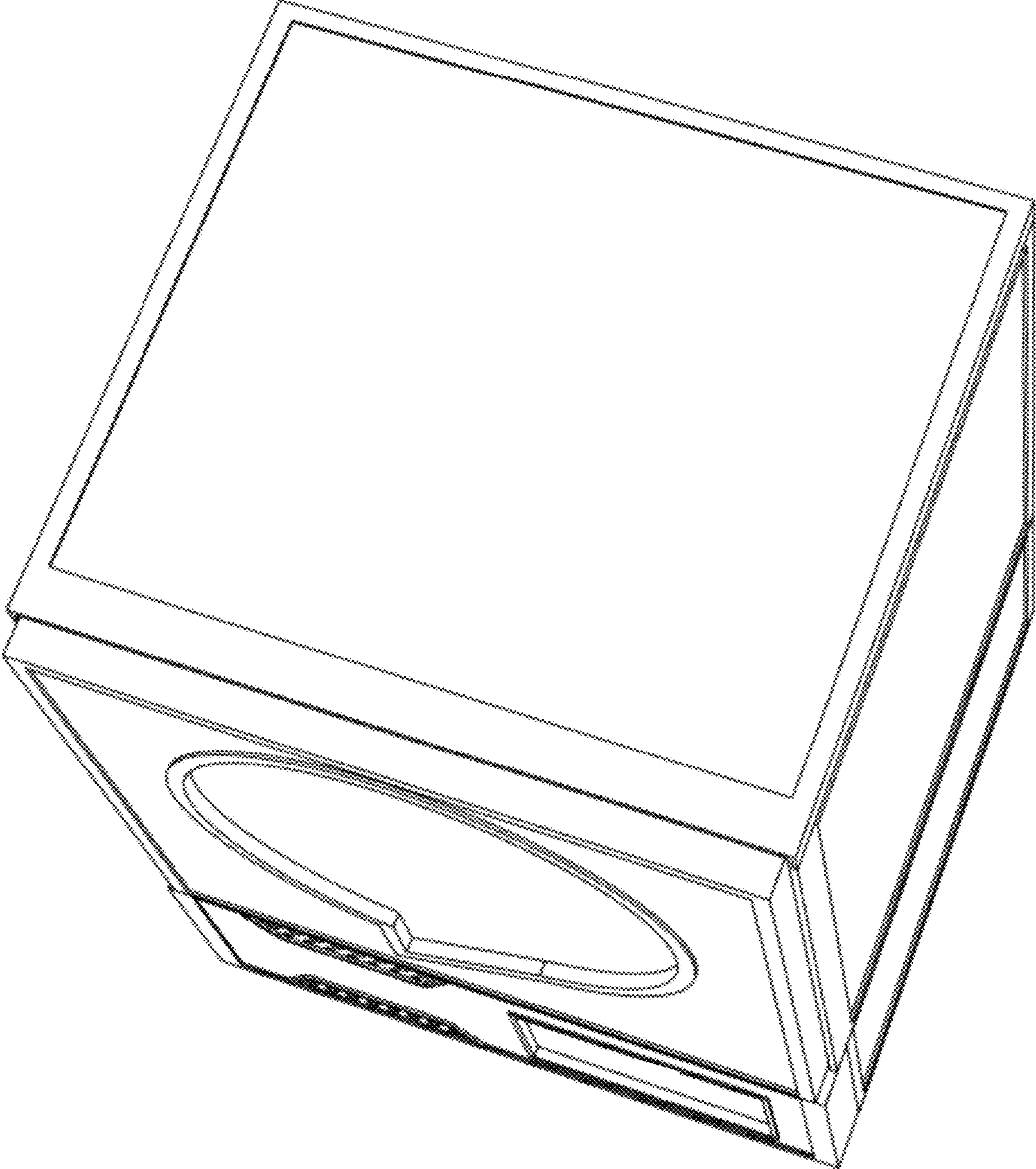


FIG. 6



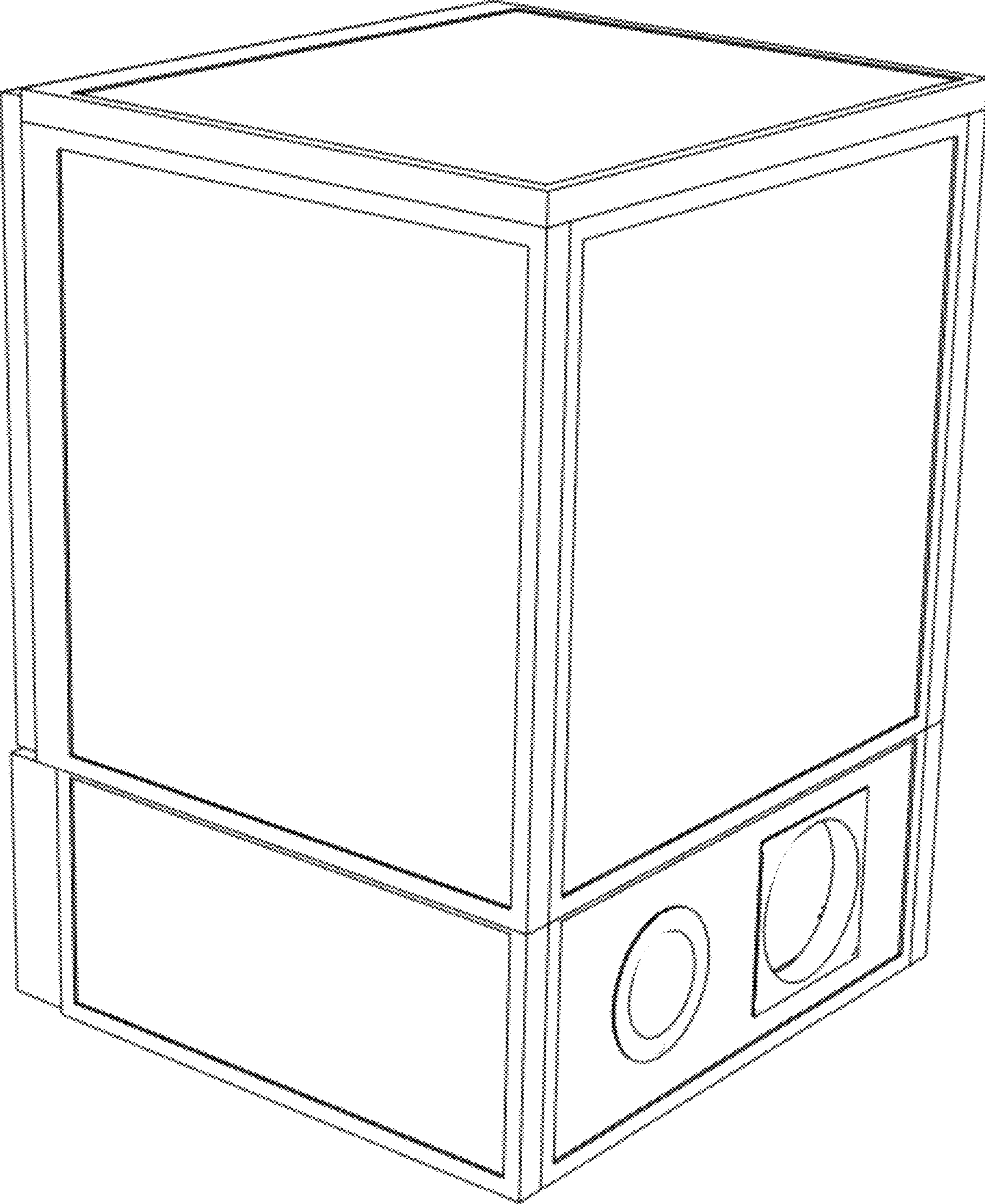


FIG. 7

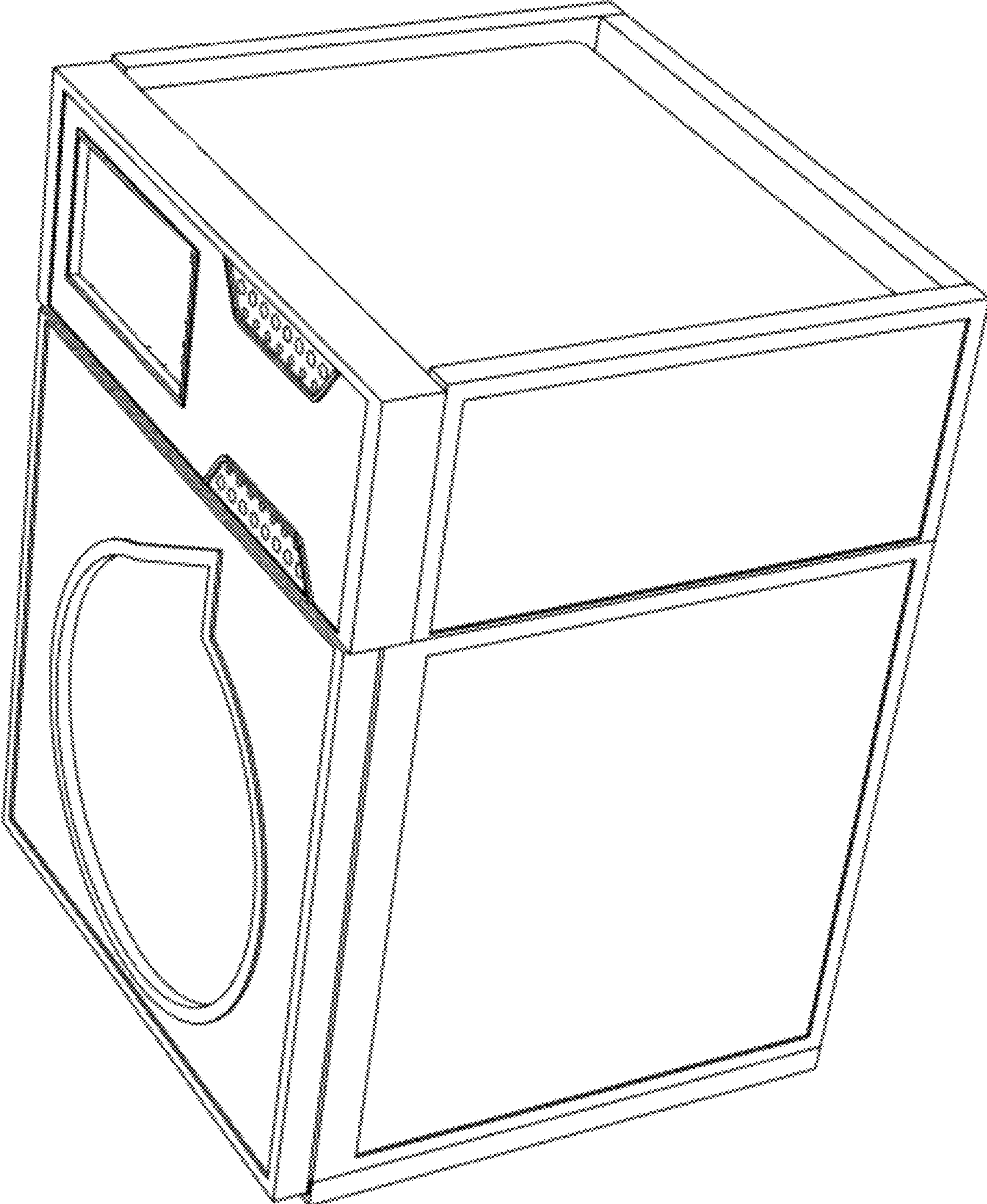


FIG. 8



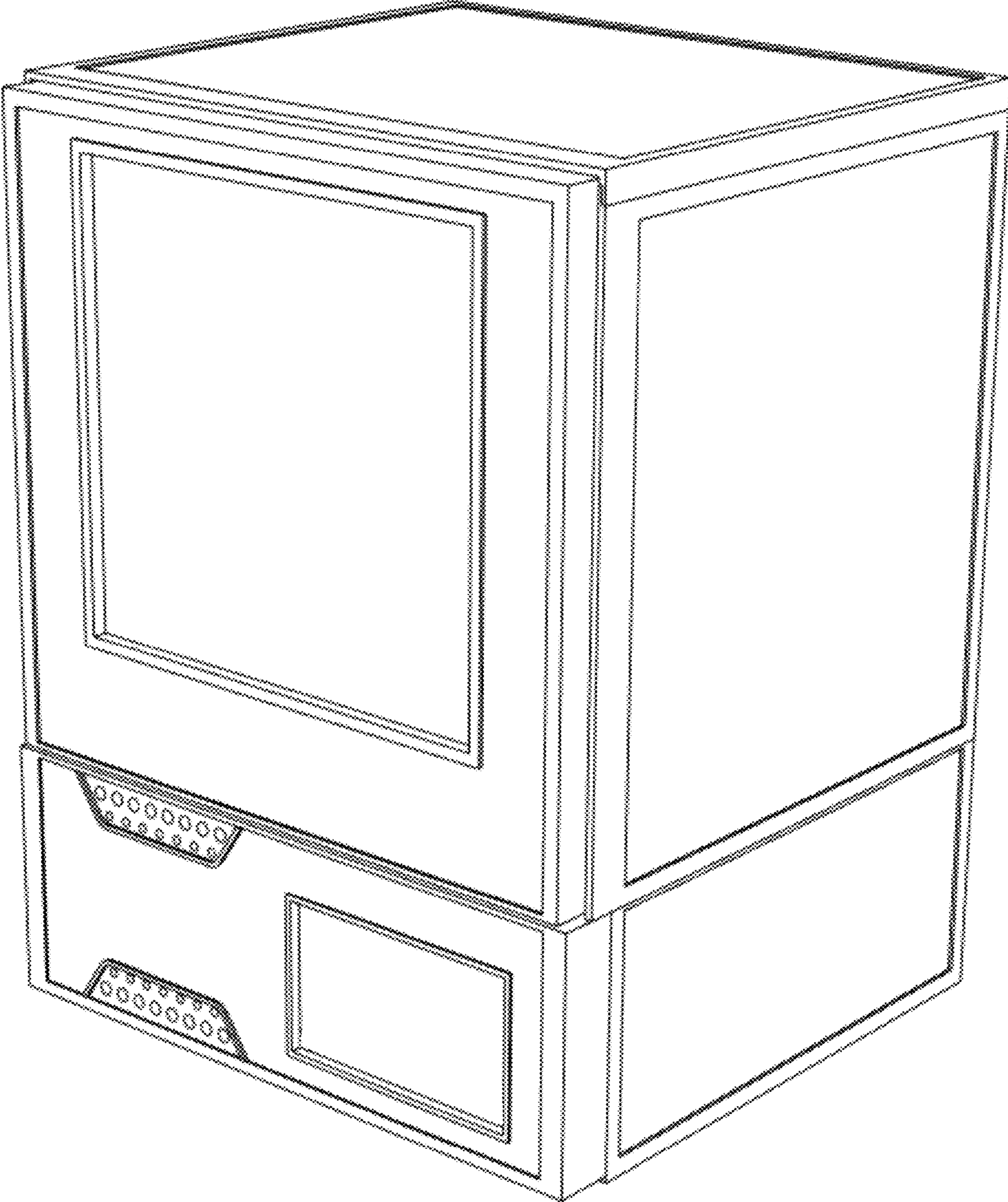


FIG. 9

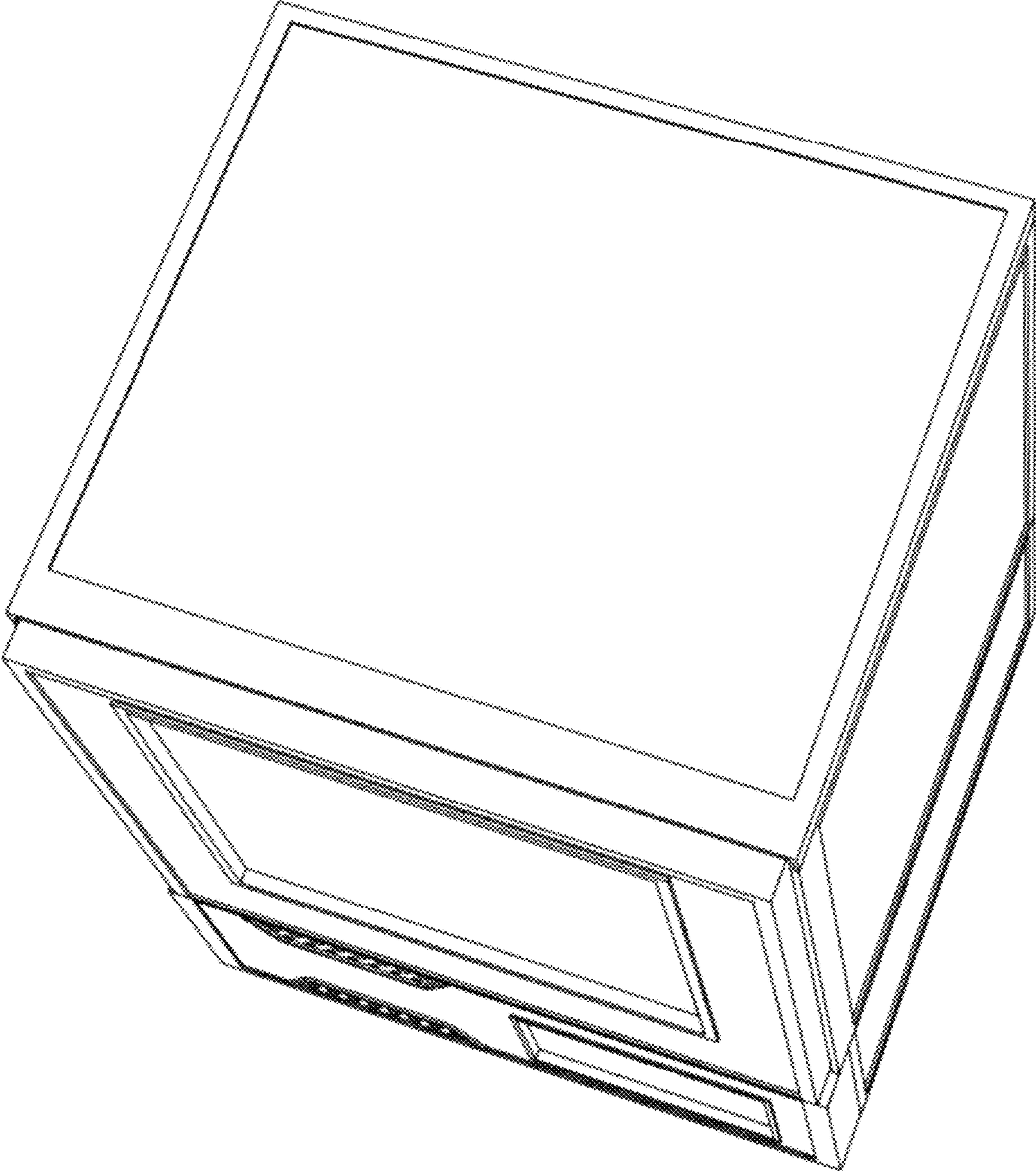


FIG. 10



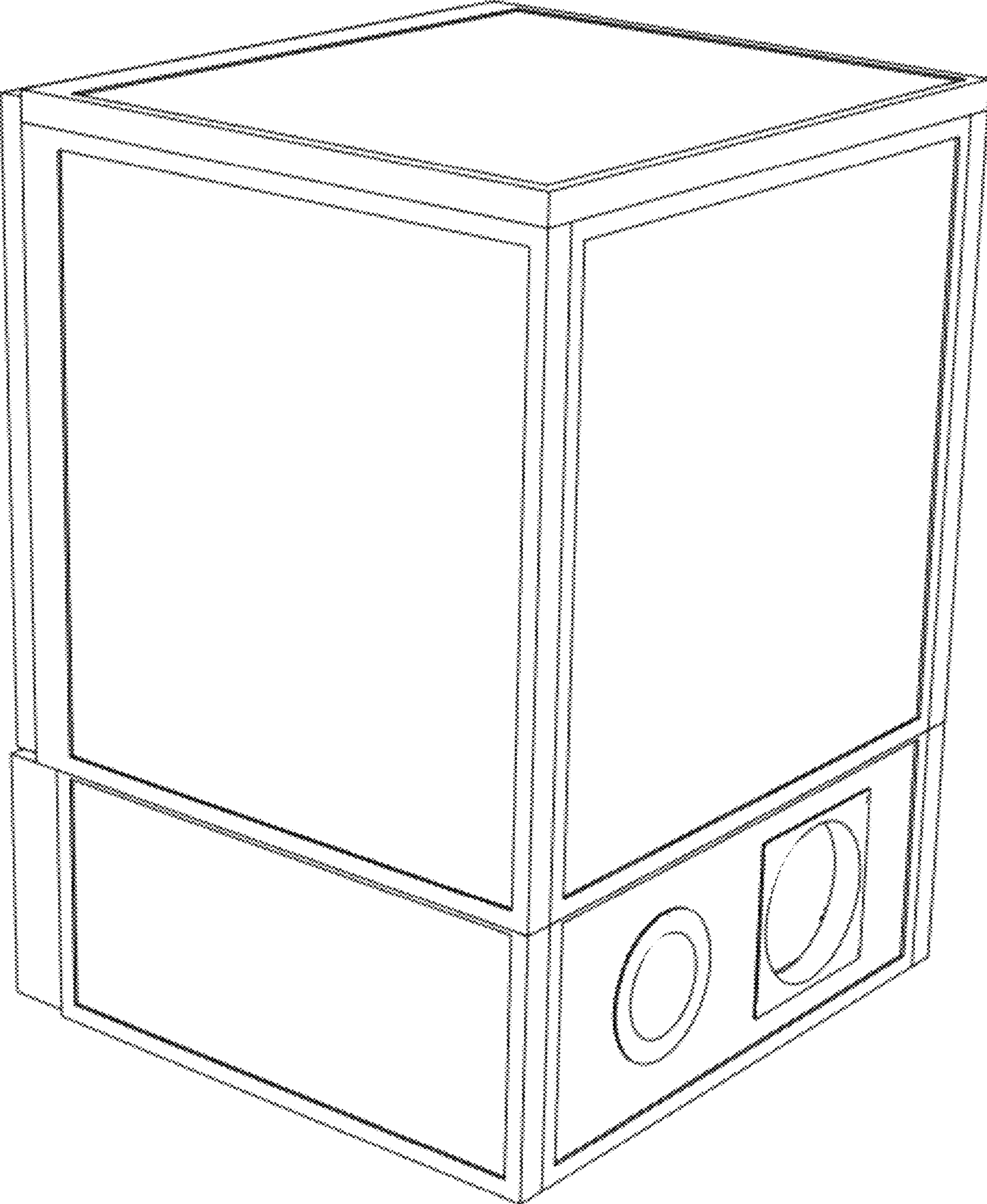


FIG. 11

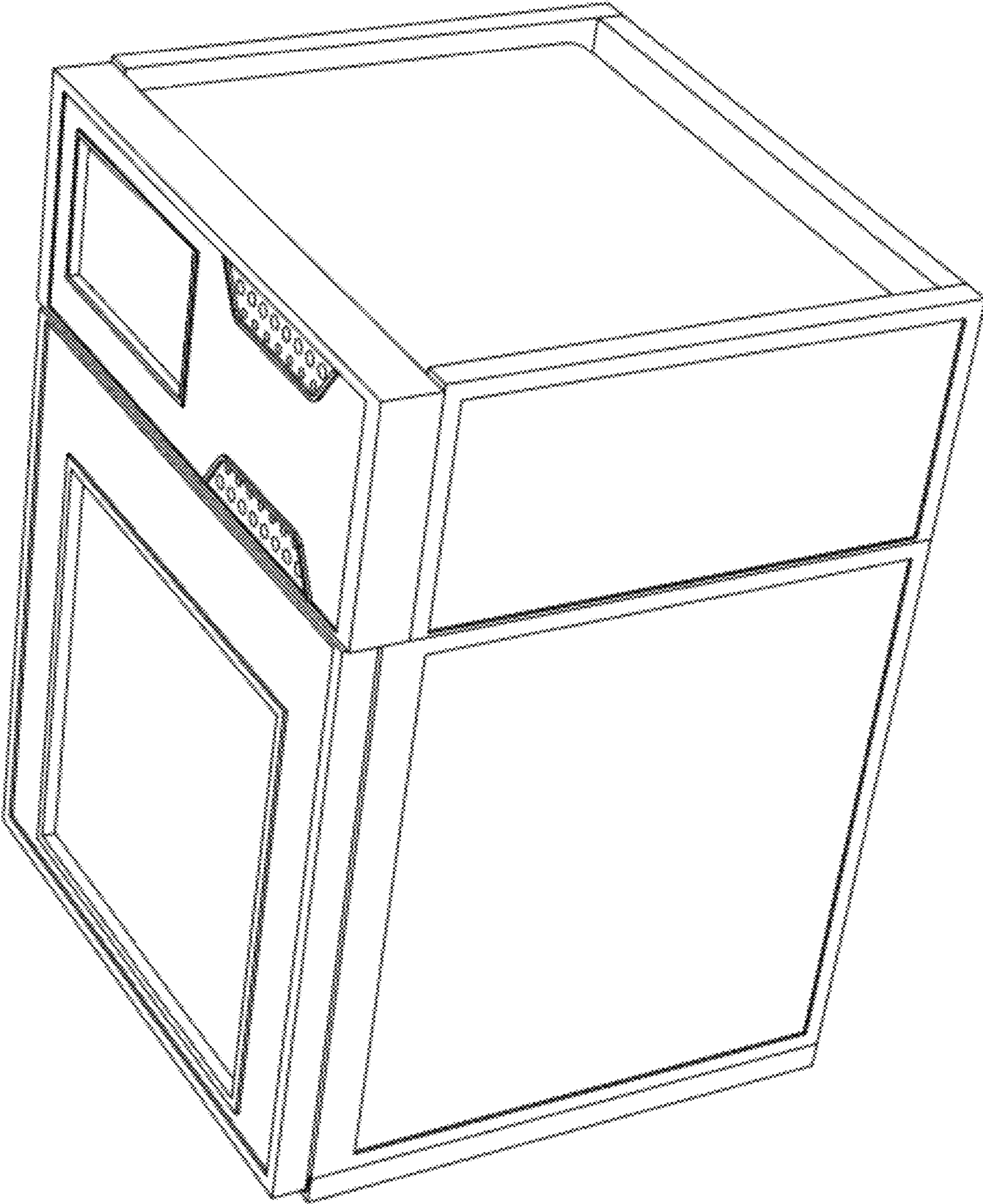


FIG. 12