



US00D989030S

(12) **United States Design Patent** (10) **Patent No.:** **US D989,030 S**
Hubert (45) **Date of Patent:** **** Jun. 13, 2023**

(54) **SPEAKER**

FOREIGN PATENT DOCUMENTS

(71) Applicant: **Bang & Olufsen A/S**, Struer (DK)

RU 2020502532 * 2/2021

(72) Inventor: **Benjamin Hubert**, London (GB)

OTHER PUBLICATIONS

(73) Assignee: **Bang & Olufsen A/S**, Struer (DK)

[Bang & Olufsen Beosound Balance Wireless Multiroom Speaker], available in Amazon.com, date first available Mar. 5, 2020 [online], [Dec. 16, 2021], Available from the internet URL: <https://www.amazon.com/Bang-Olufsen-Beosound-Wireless-Multiroom/dp/B084LJ5GGN?th=1> (Year: 2020).*

(**) Term: **15 Years**

[Loa B&O Beosound Balance Google Assistant], announced in YouTube on Apr. 8, 2020 [online], [site visited Dec. 16, 2021], Available from the internet URL: <https://www.youtube.com/watch?v=DXfXM5oe25M> (Year: 2020).*

(21) Appl. No.: **29/737,940**

(22) Filed: **Jun. 12, 2020**

(30) **Foreign Application Priority Data**

Dec. 12, 2019 (EM) 007385299

* cited by examiner

(51) **LOC (14) Cl.** **16-02**

Primary Examiner — Khawaja Anwar

(52) **U.S. Cl.**

Assistant Examiner — Megan Tiana Rakos

USPC **D16/221**

(74) *Attorney, Agent, or Firm* — Dykema Gossett PLLC

(58) **Field of Classification Search**

USPC D7/216, 510, 514, 608; D14/216; D28/90

(57) **CLAIM**

CPC G10K 11/004; H04R 1/026; H04R 1/025; H04R 2201/029

The ornamental design for a speaker, as shown and described.

See application file for complete search history.

(56) **References Cited**

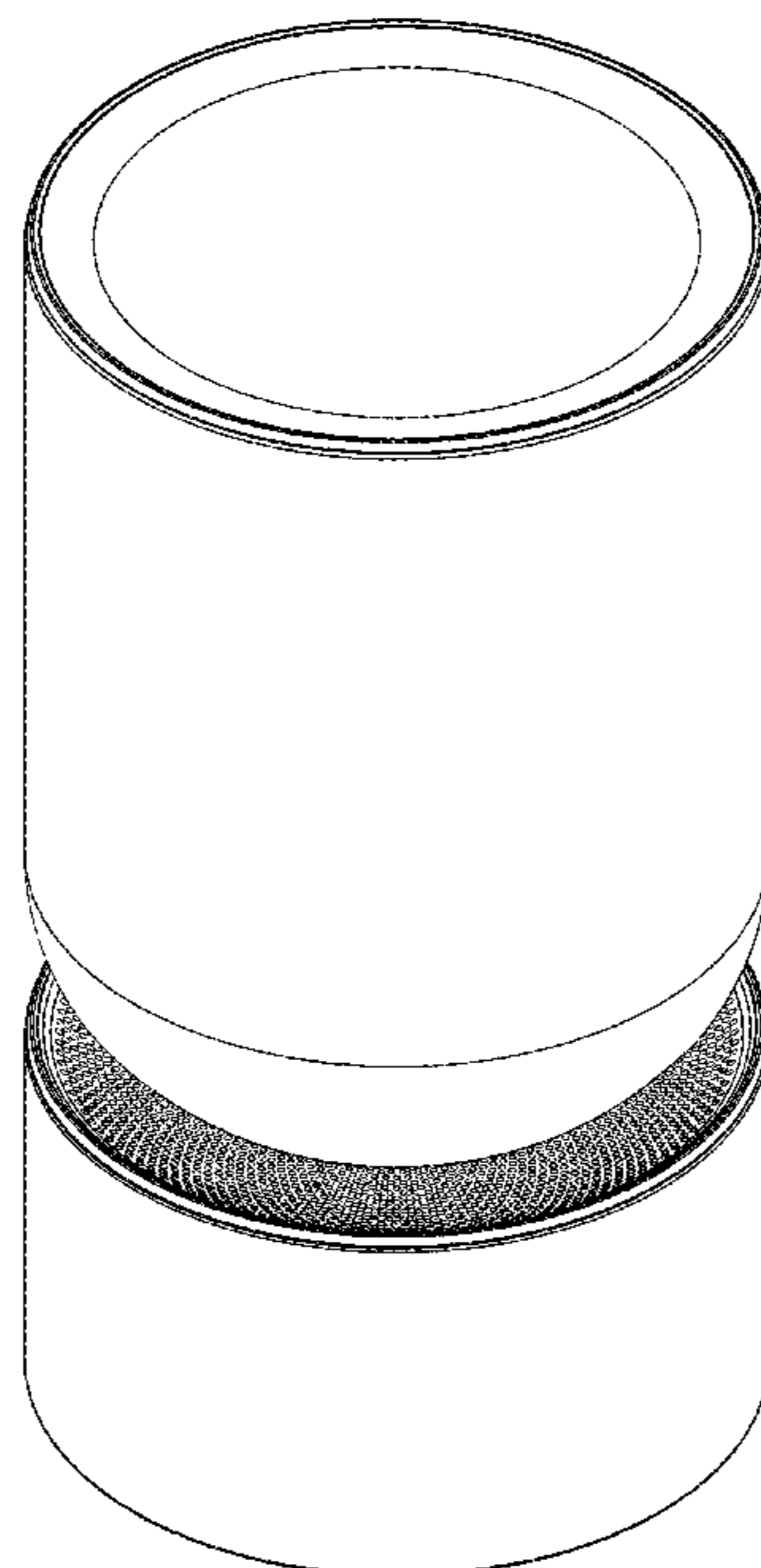
DESCRIPTION

U.S. PATENT DOCUMENTS

D576,756 S *	9/2008	DeBrunner	D26/40
D617,480 S *	6/2010	DeBrunner	D26/40
D770,418 S *	11/2016	Hong	D14/216
D771,019 S *	11/2016	Lee	D14/216
D786,829 S *	5/2017	Wang	D14/216
D804,915 S *	12/2017	Suess	D7/608
D842,842 S *	3/2019	Lee	D14/216
D866,520 S *	11/2019	Kim	D14/216
D892,081 S *	8/2020	Waterman	D14/216
2021/0160601 A1 *	5/2021	Eva	H04R 1/021

FIG. 1 is a perspective top view of the speaker.
FIG. 2 is a front plan view of the speaker of FIG. 1.
FIG. 3 is a rear plan view of the speaker of FIG. 1.
FIG. 4 is a side plan view of the speaker of FIG. 1.
FIG. 5 is a top plan view of the speaker of FIG. 1.
FIG. 6 is a bottom plan view of the speaker of FIG. 1; and,
FIG. 7 is a perspective bottom view of the speaker of FIG. 1.

1 Claim, 7 Drawing Sheets



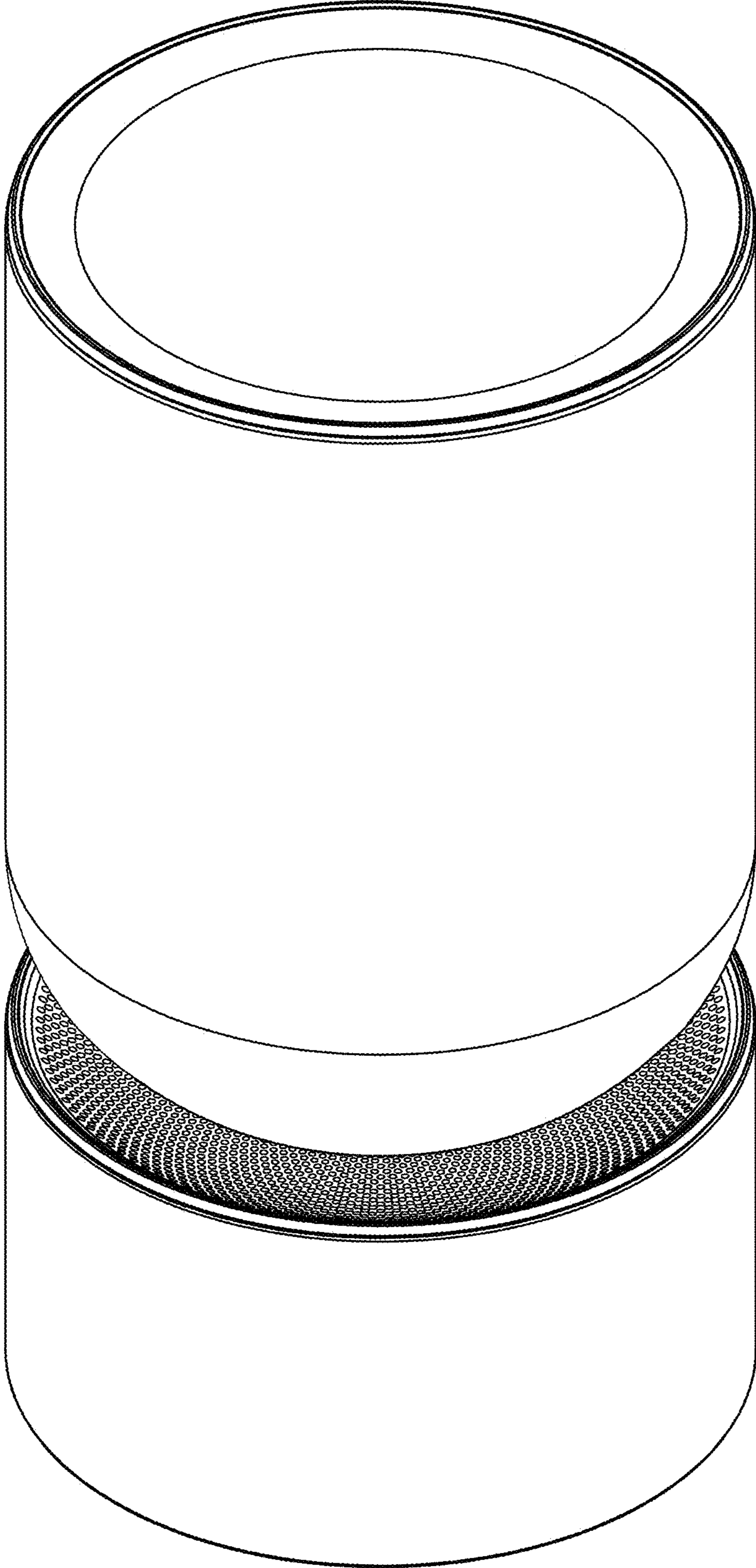


FIG. 1

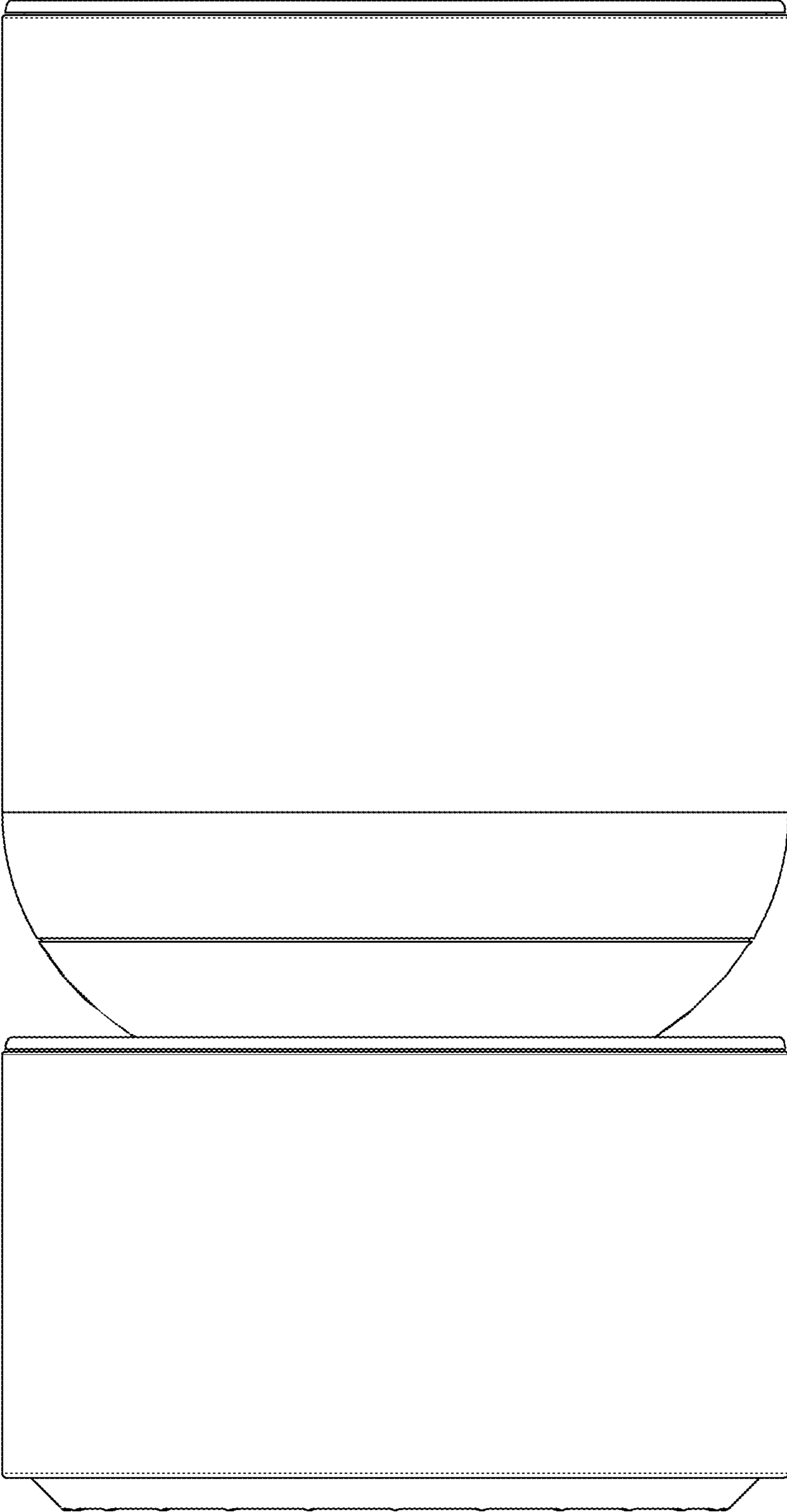


FIG. 2

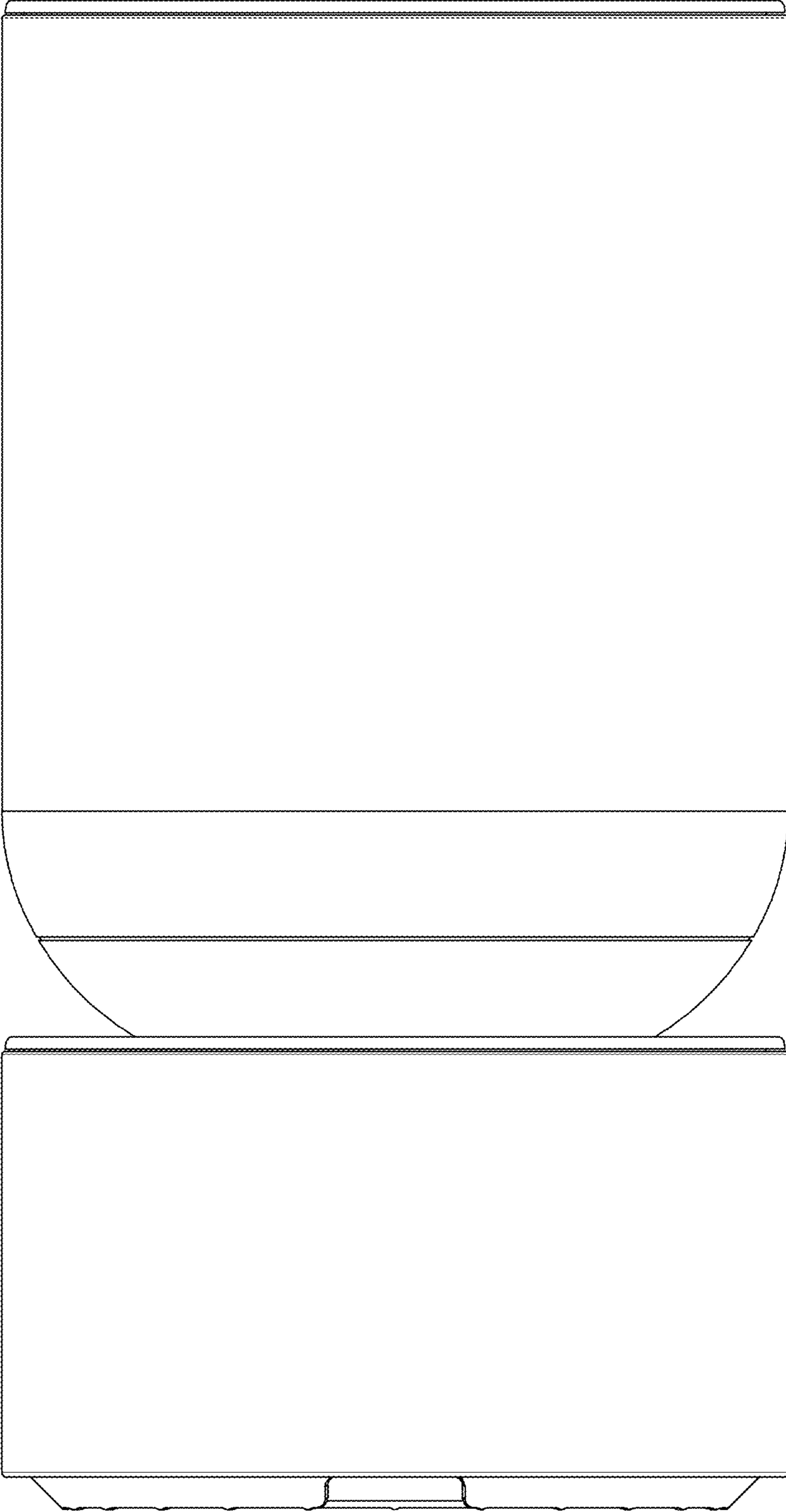


FIG. 3

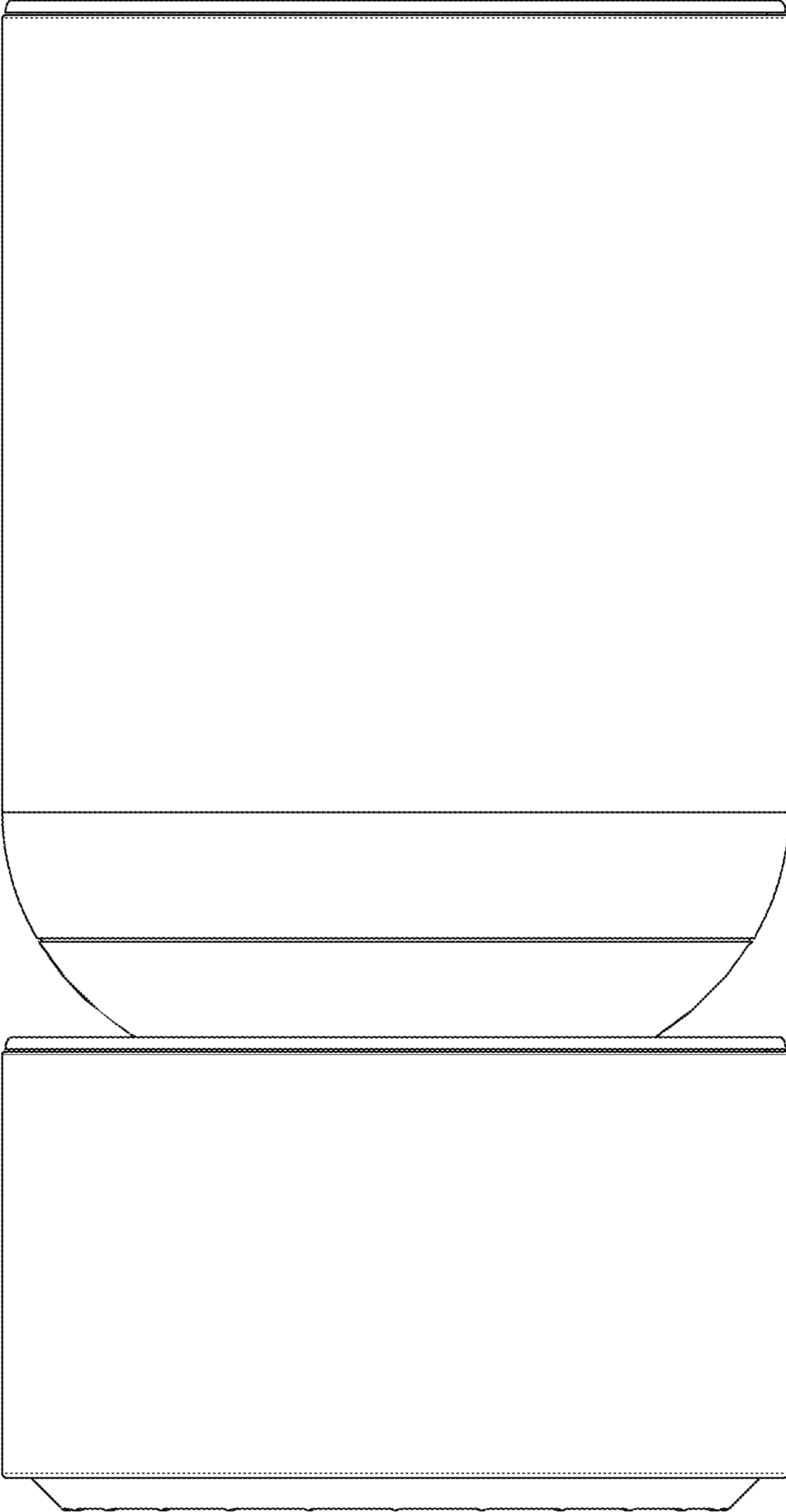


FIG. 4

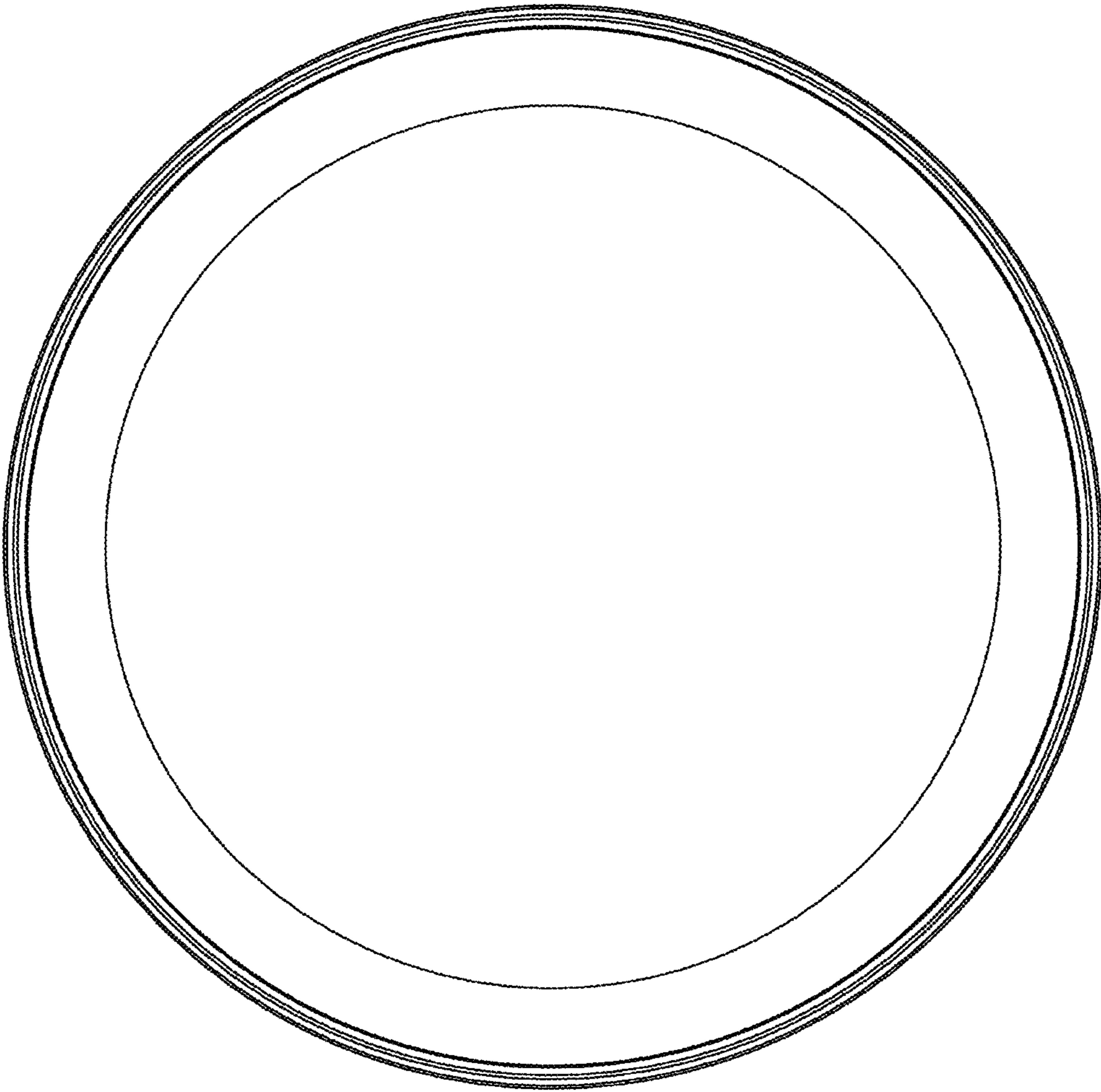


FIG. 5

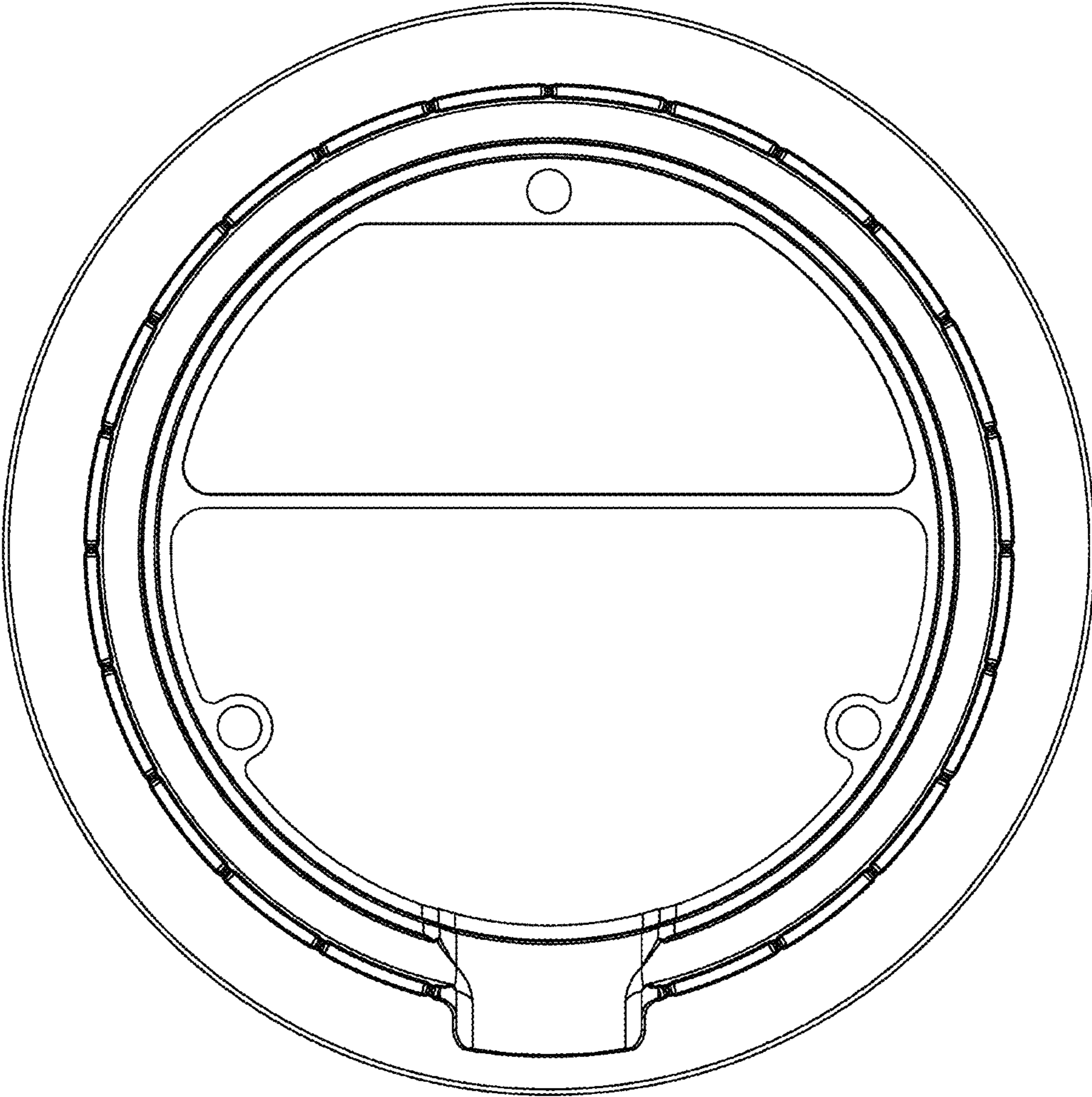


FIG. 6

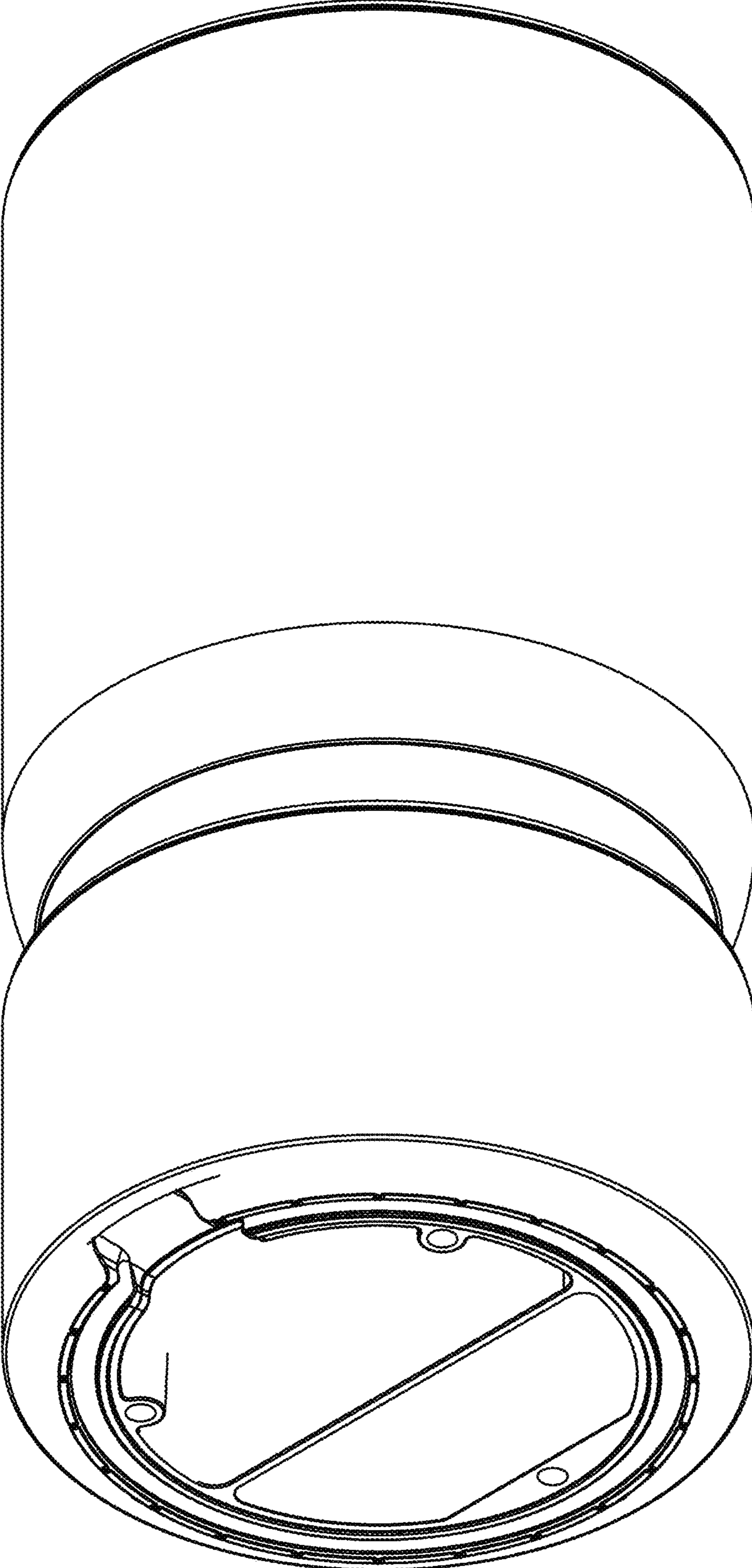


FIG. 7