



US00D989029S

(12) **United States Design Patent** (10) **Patent No.:** **US D989,029 S**
Pavelic (45) **Date of Patent:** **** Jun. 13, 2023**

(54) **SPEAKER HOUSING**
(71) Applicant: **ALOHA CORPORATION**, Urbandale, IA (US)
(72) Inventor: **Srdjan Pavelic**, Urbandale, IA (US)
(73) Assignee: **Aloha Corporation**, Urbandale, IA (US)
(**) Term: **15 Years**
(21) Appl. No.: **29/726,955**
(22) Filed: **Mar. 6, 2020**
(51) **LOC (14) Cl.** **14-01**
(52) **U.S. Cl.**
USPC **D14/204**
(58) **Field of Classification Search**
USPC D14/170–172, 188, 203.1, 203.3, 204, D14/348
CPC . H04R 1/02; H04R 1/023; H04R 5/02; H04R 7/00; H04R 7/02; H04R 9/06; H04R 2400/00
See application file for complete search history.

D552,081 S 10/2007 Yano
D553,120 S 10/2007 Yano
D559,832 S 1/2008 Poandl
D568,869 S 5/2008 Anthony et al.
D568,870 S 5/2008 Anthony et al.
D573,134 S 7/2008 Milks et al.
D579,353 S * 10/2008 Robinson D10/53
(Continued)

OTHER PUBLICATIONS

“Alohaboombboxes”, https://www.instagram.com/p/BILoJM_npRT, posted on website Jul. 13, 2018 accessed Jun. 5, 2019.
(Continued)

Primary Examiner — Janice Patyk
(74) *Attorney, Agent, or Firm* — McKee, Voorhees & Sease, PLC

(57) **CLAIM**

I claim the ornamental design for a speaker housing, substantially as shown and described.

DESCRIPTION

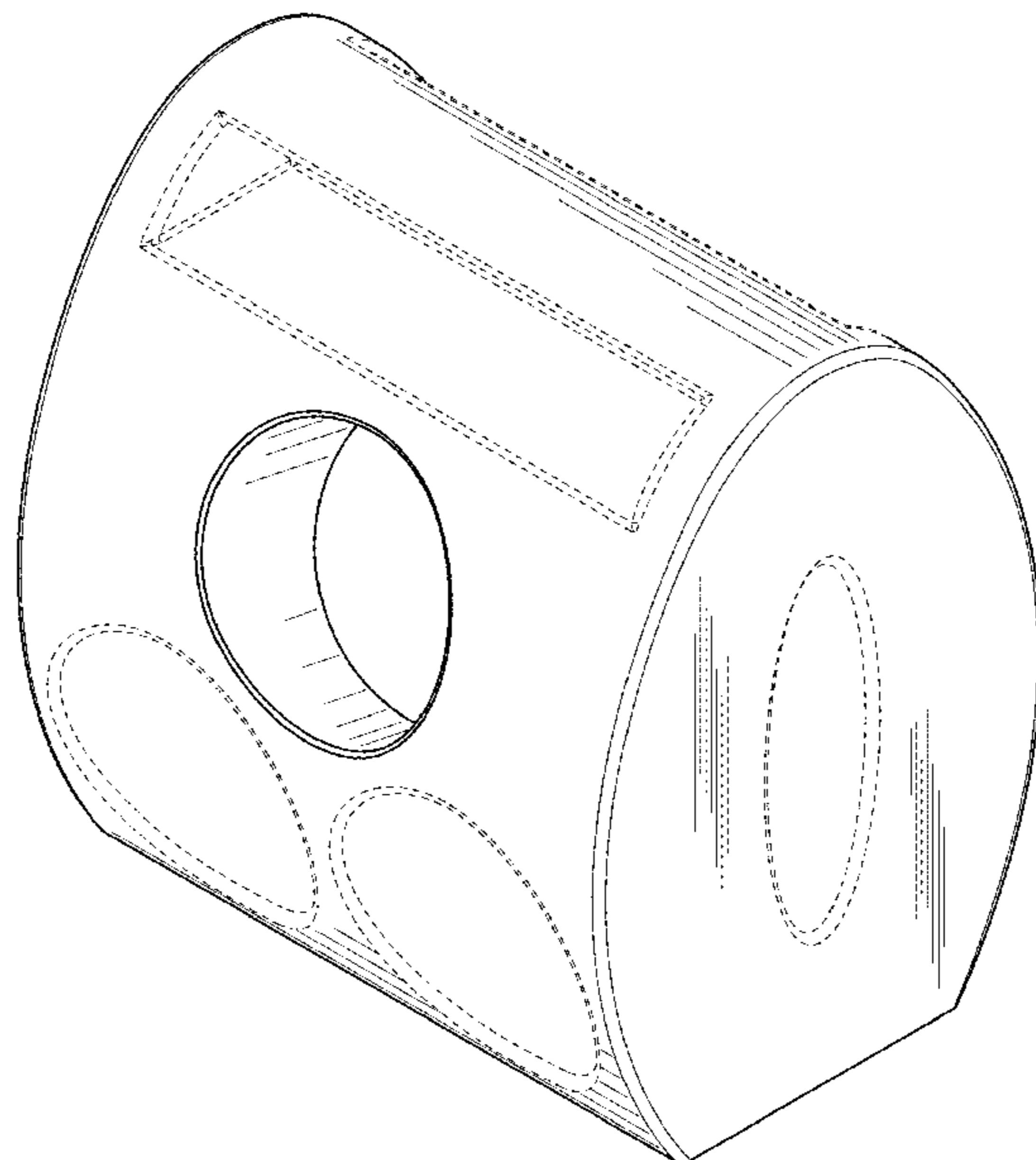
FIG. 1 is a top, front perspective view of the speaker housing, showing my new design;
FIG. 2 is a top, rear perspective view of the speaker housing;
FIG. 3 is a bottom, front perspective view of the speaker housing;
FIG. 4 is a bottom, rear perspective view of the speaker housing;
FIG. 5 is a top plan view of the speaker housing;
FIG. 6 is a bottom plan view of the speaker housing;
FIG. 7 is a front elevation view of the speaker housing;
FIG. 8 is a rear elevation view of the speaker housing; and,
FIG. 9 is a right elevation view of the speaker housing.
The broken lines in the figures illustrate the portions of the speaker housing and form no part of the claimed design.

1 Claim, 8 Drawing Sheets

(56) **References Cited**

U.S. PATENT DOCUMENTS

D401,582 S 11/1998 Gremchuck
D431,551 S 10/2000 Wegner
D470,125 S 2/2003 Jordan et al.
D471,177 S 3/2003 Jordan et al.
D471,892 S 3/2003 Jordan et al.
D475,695 S 6/2003 Petronio
D480,705 S 10/2003 Jordan et al.
D486,470 S * 2/2004 Hakoda D14/171
D501,841 S 2/2005 Hsu
D515,556 S * 2/2006 Allen D14/215
D535,976 S 1/2007 Ng et al.
D547,746 S * 7/2007 Allen D14/215
D551,208 S 9/2007 Yano



(56)

References Cited

U.S. PATENT DOCUMENTS

D587,238 S * 2/2009 Xie D14/216
D594,845 S 6/2009 Skurdal
D597,876 S * 8/2009 Lamason D14/159
D638,400 S 5/2011 Hawkins et al.
D642,555 S 8/2011 Hawkins et al.
D645,844 S 9/2011 McManigal
D670,677 S 11/2012 Pfeifer et al.
D673,526 S 1/2013 Gander et al.
D691,591 S 10/2013 Lum et al.
D723,515 S 3/2015 Ang et al.
D726,149 S 4/2015 Rodgers et al.
D726,685 S 4/2015 Cheng
D733,098 S * 6/2015 Takamoto D14/215
D742,854 S 11/2015 Warden et al.
D743,936 S 11/2015 Cloarec et al.
D787,472 S * 5/2017 Liu D14/204
D789,329 S 6/2017 Tse
D795,834 S 8/2017 Pelland

D807,326 S 1/2018 Justis
D836,596 S 12/2018 Warden et al.
D917,419 S * 4/2021 Pavelic D14/204
D920,947 S * 6/2021 Feng D14/204
2019/0052942 A1 2/2019 Pavelic

OTHER PUBLICATIONS

“Aloha 21st Century Boomboxes: a new way to listen to music”, ClayandMilk.com, <https://clayandmilk.com/2018/08/07/aloha-21st-century-boomboxes-a-new-way-to-listen-to-music>, posted Aug. 7, 2018, accessed Jun. 5, 2019.
“Print your own Portable Boombox”, Blog.PrusaPrinters.org, <https://blog.prusaprinters.org/print-your-own-portable-boombox>, posted online Feb. 8, 2019, accessed Jun. 5, 2019.
“A quick guide to your portable Boombox” ILoveSpeakers.com, <https://www.ilovespeakers.com/portable-speakers/quick-guided-portable-boombox>, posted online Aug. 29, 2016, accessed Jun. 5, 2019.

* cited by examiner

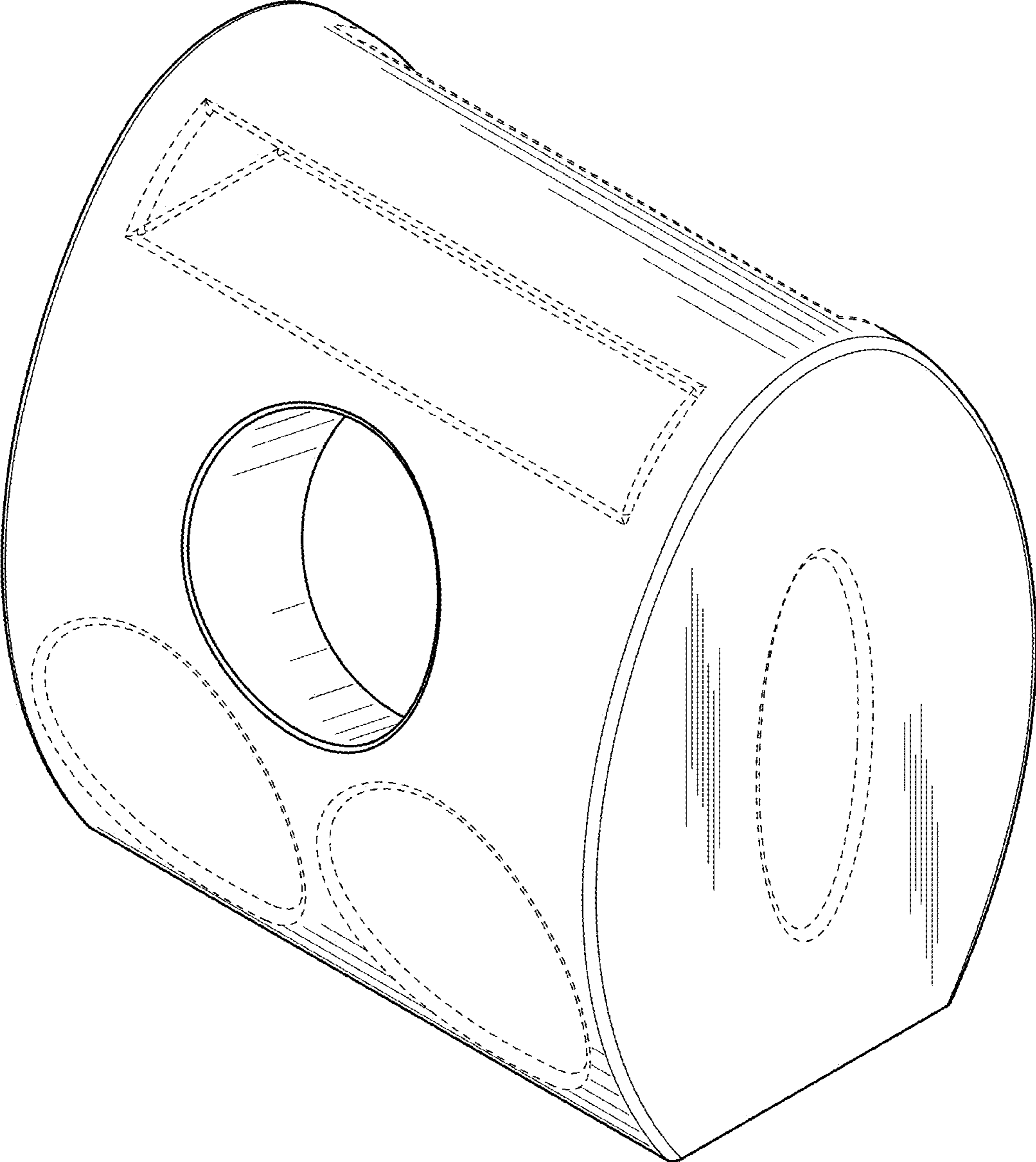


FIG. 1

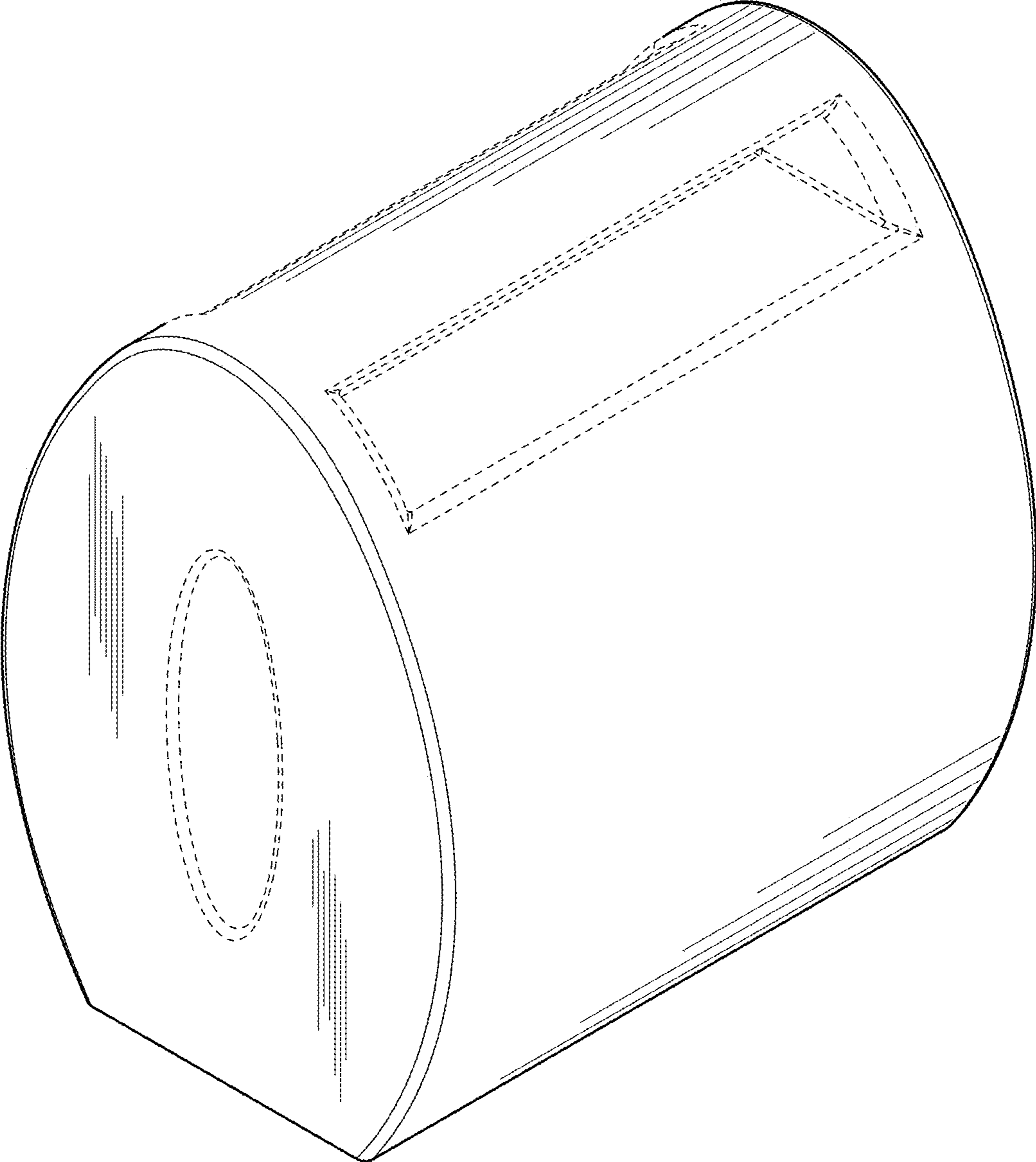


FIG. 2

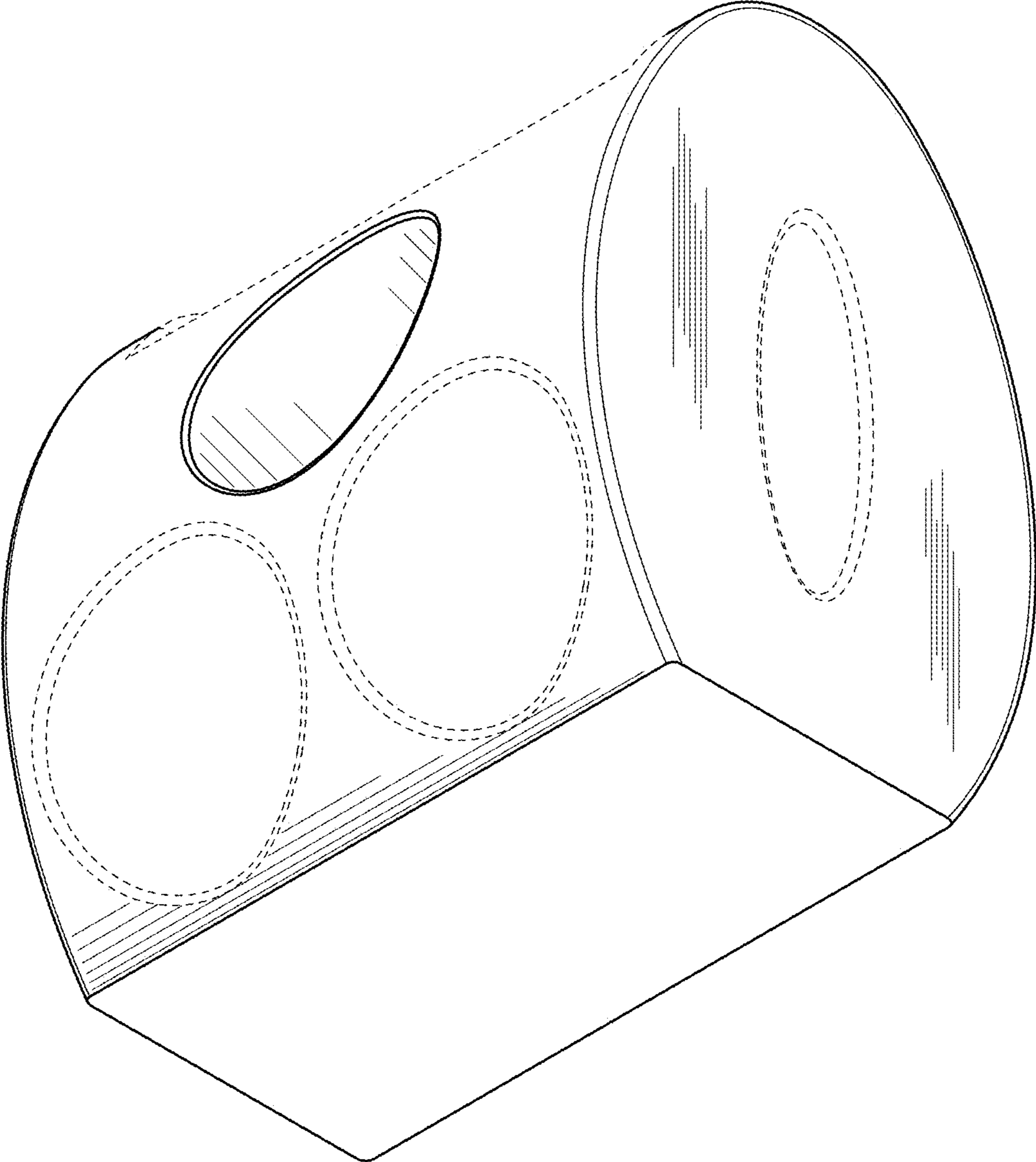


FIG. 3

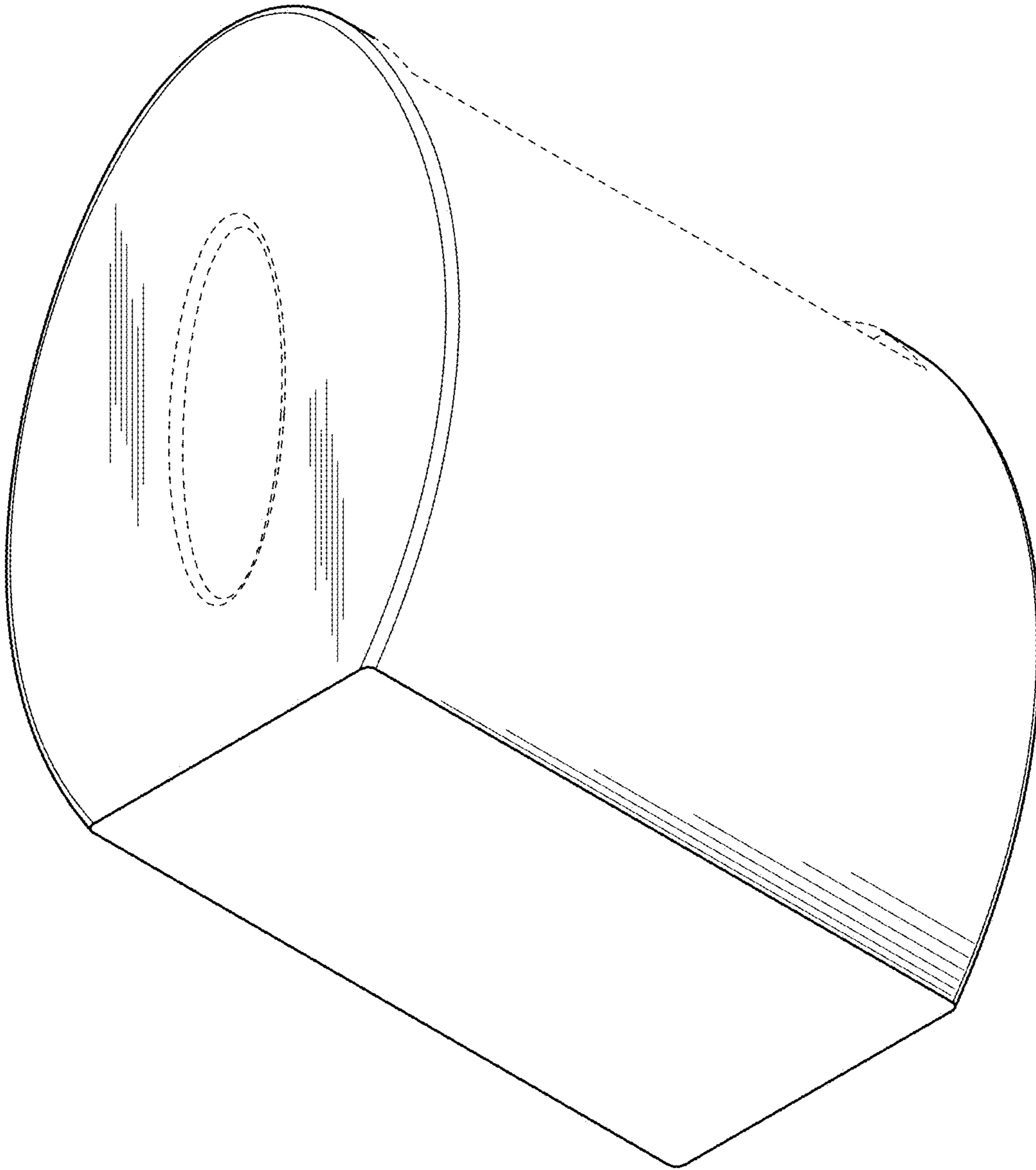


FIG. 4

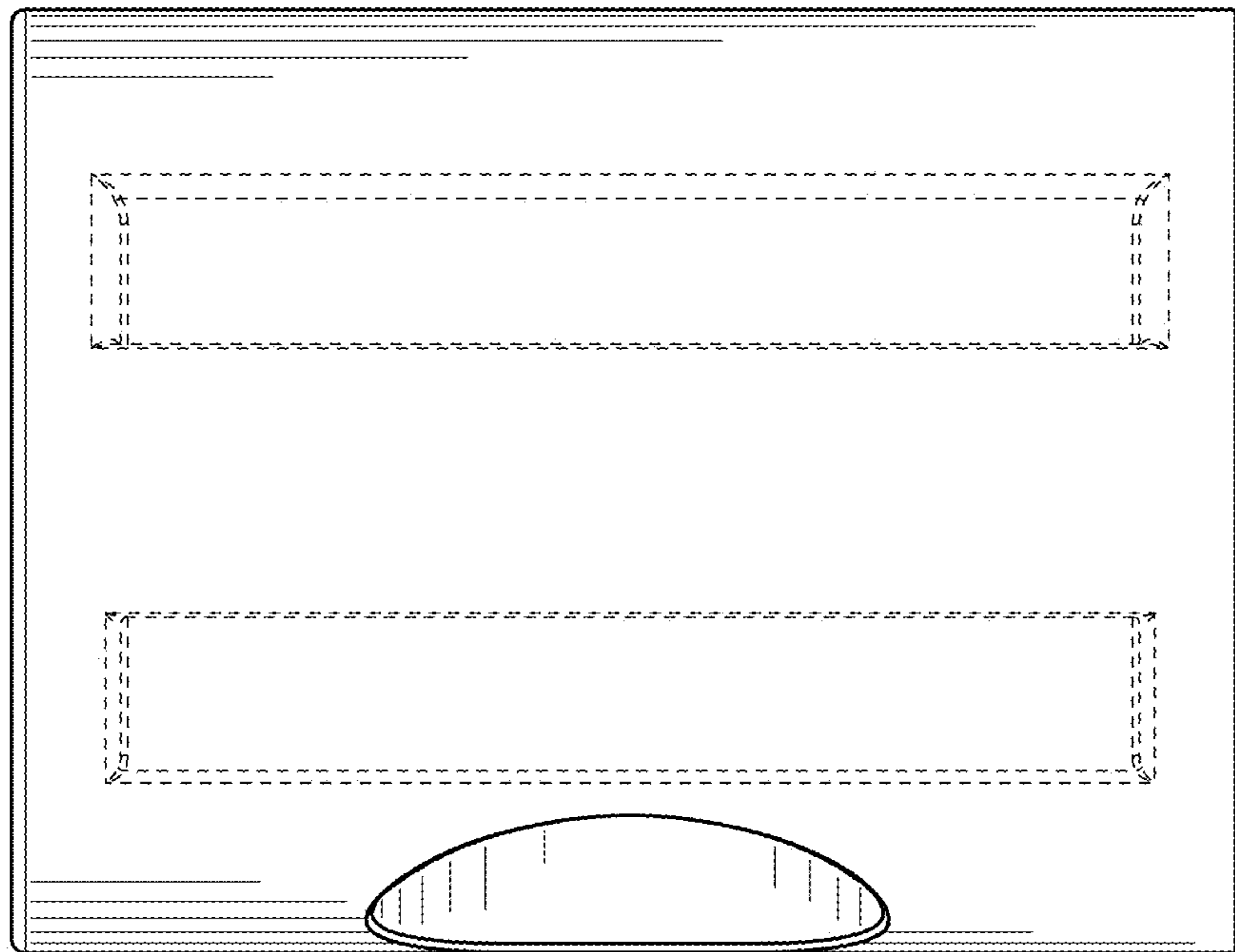


FIG. 5

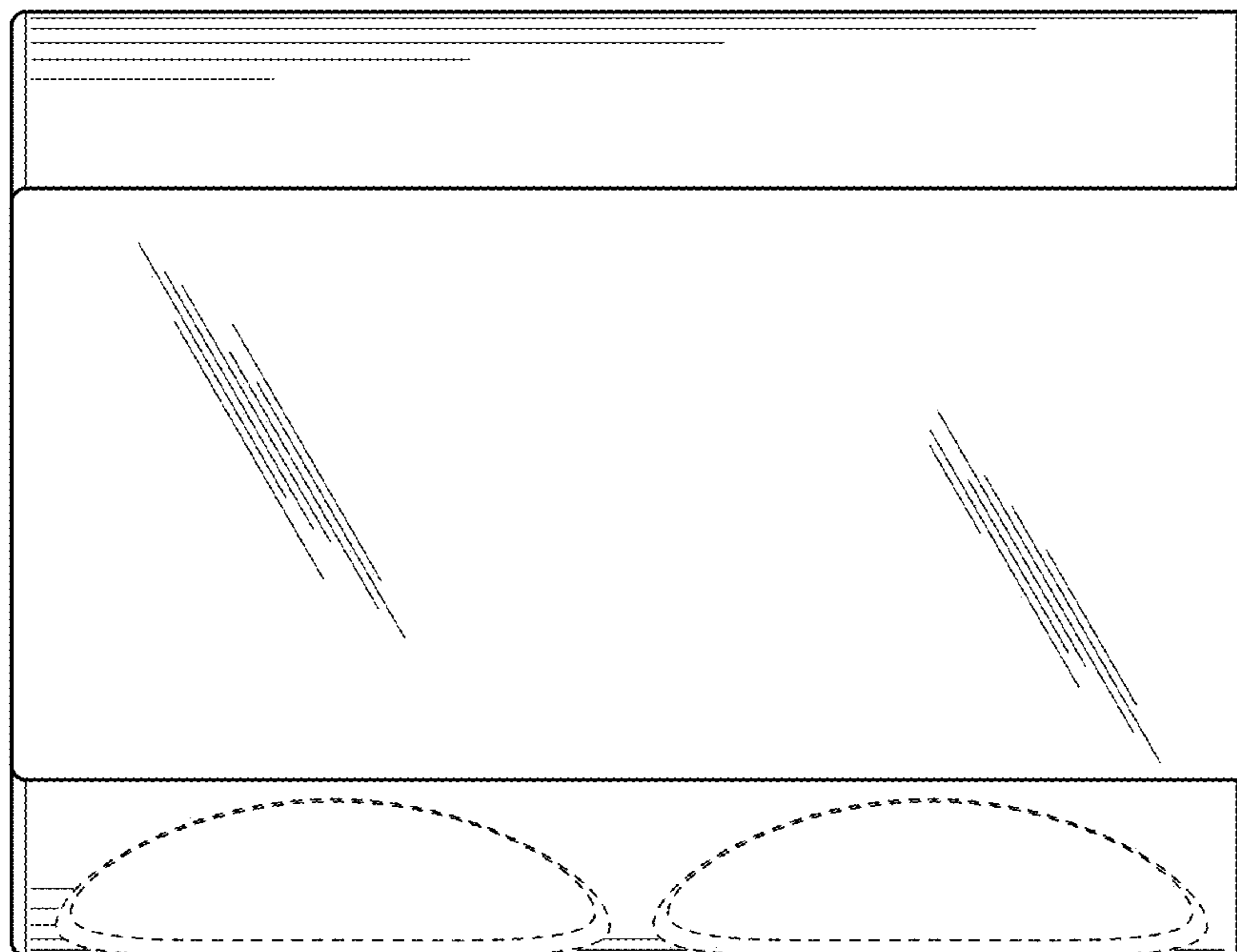


FIG. 6

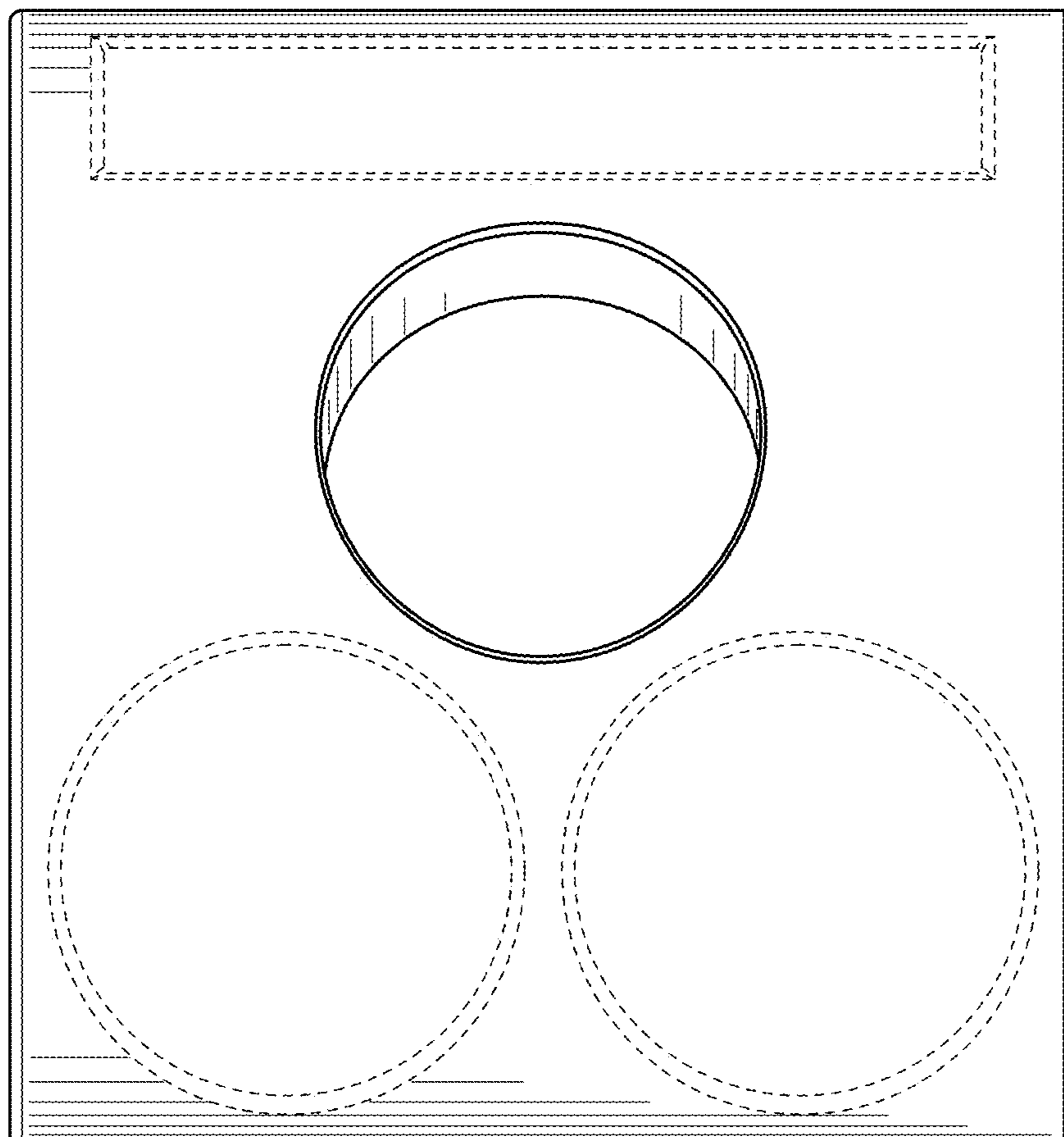


FIG. 7

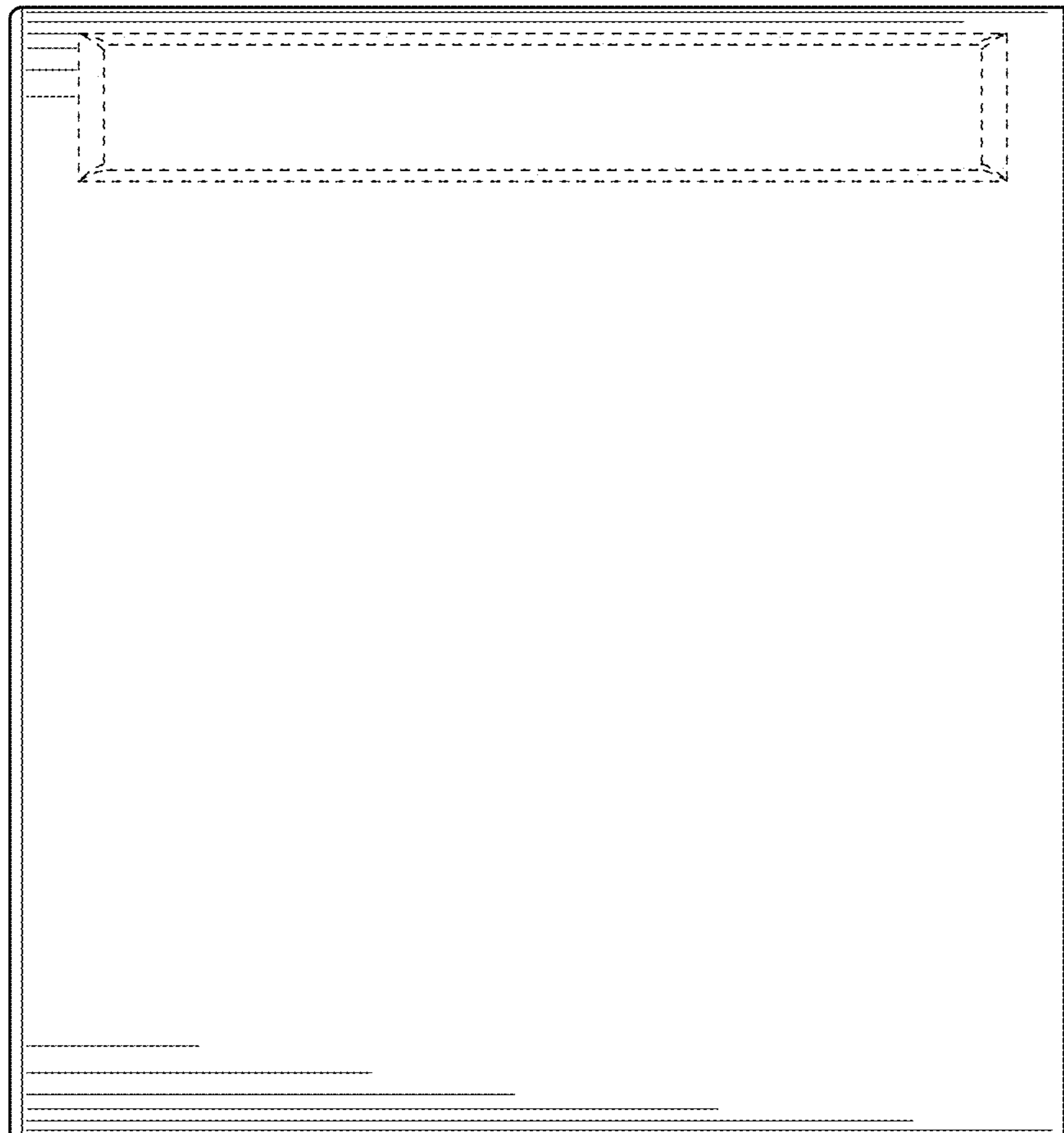


FIG. 8

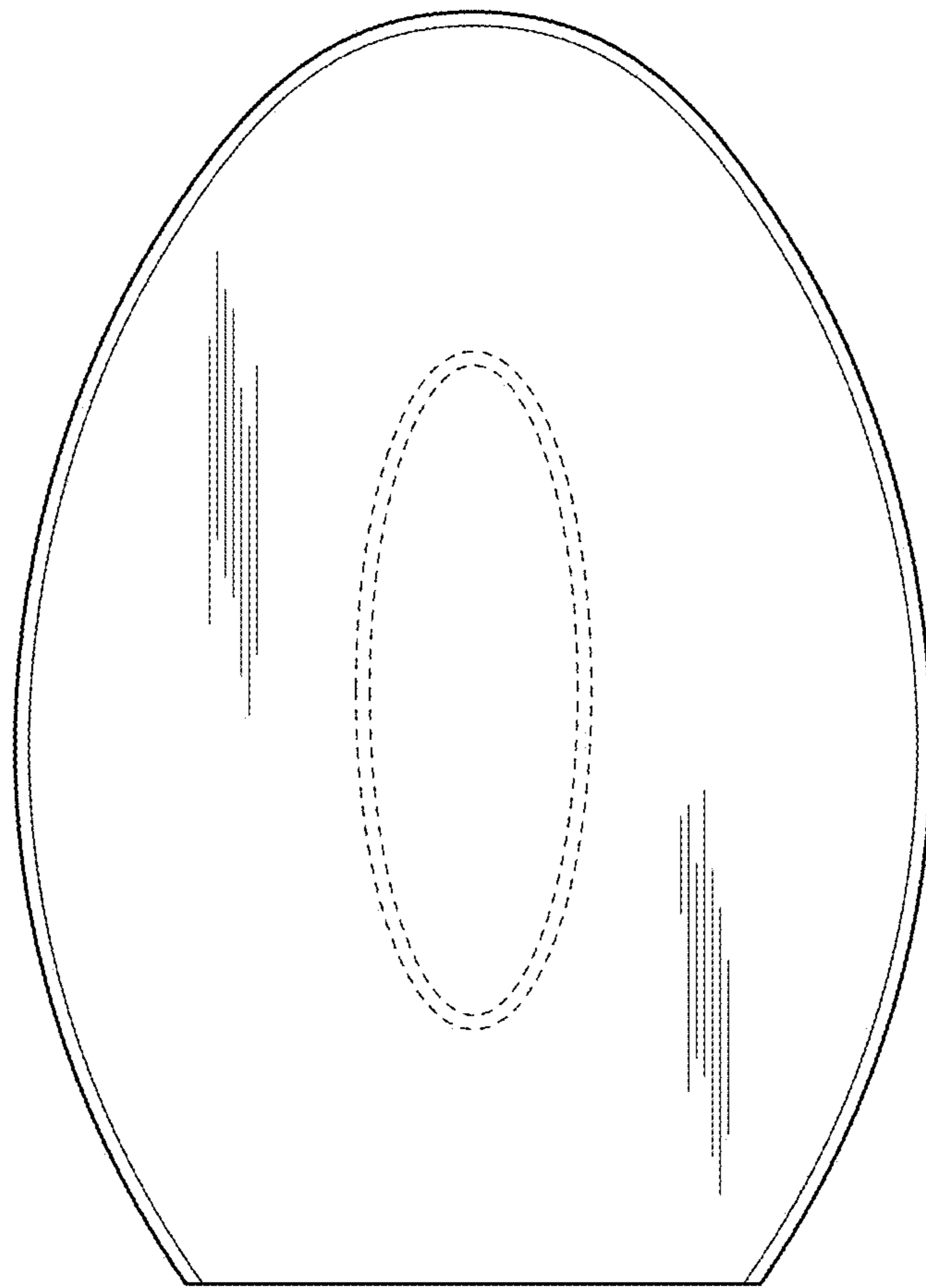


FIG. 9