



US00D989028S

(12) **United States Design Patent**  
**Demer et al.**

(10) **Patent No.:** **US D989,028 S**  
(45) **Date of Patent:** **\*\* Jun. 13, 2023**

(54) **CARRYING CASE WITH SPEAKERS**

FOREIGN PATENT DOCUMENTS

(71) Applicant: **Southern Ground Audio, LLC**,  
Peachtree City, GA (US)

GB 6068375 \* 8/2019

(72) Inventors: **James Demer**, Peachtree City, GA  
(US); **Jayson Lobo**, Cape Elizabeth,  
ME (US); **Robb McCollough**, West  
Wyoming, PA (US)

OTHER PUBLICATIONS

Monoprice Weatherproof Hard Case, (c) 2014 [online], [retrieved  
May 14, 2020], Retrieved from internet, URL: <[https://www.monoprice.com/product?p\\_id=12139&gclid=EALalQobChMltP7Q08Cz6QIVmoVaBR3MeAysEAKYAIABEgL27fD\\_BwE](https://www.monoprice.com/product?p_id=12139&gclid=EALalQobChMltP7Q08Cz6QIVmoVaBR3MeAysEAKYAIABEgL27fD_BwE)> (Year: 2014).\*

(73) Assignee: **Southern Ground Audio, LLC**,  
Peachtree City, GA (US)

(Continued)

(\*\*) Term: **15 Years**

*Primary Examiner* — Messina L Smith

*Assistant Examiner* — Aram Kwon

(21) Appl. No.: **29/680,660**

(74) *Attorney, Agent, or Firm* — Smith Gambrell &  
Russell LLP

(22) Filed: **Feb. 19, 2019**

(51) **LOC (14) Cl.** ..... **14-01**

(52) **U.S. Cl.**

USPC ..... **D14/204**; D14/210; D14/214; D14/221

(58) **Field of Classification Search**

USPC ..... D14/133, 155–159, 160–173, 187–188,

D14/203.1–203.8, 204–216, 217–222,

D14/225–229, 496, 189–198,

D14/203.1–203.8, 204–216, 257–258

CPC .... B25H 3/022; B25H 3/028; B65D 21/0217;

B65D 21/023; B65D 2525/283

See application file for complete search history.

(57) **CLAIM**

The ornamental design for a carrying case with speakers, as  
shown and described.

**DESCRIPTION**

FIG. 1 is a front perspective view of a carrying case with  
speakers in accordance with the present invention.

FIG. 2 is a back perspective view of the carrying case with  
speakers in accordance with the present invention.

FIG. 3 is a front elevation view of the carrying case with  
speakers in accordance with the present invention.

FIG. 4 is a back elevation view of the carrying case with  
speakers in accordance with the present invention.

FIG. 5 is a top plan view of the carrying case with speakers  
in accordance with the present invention.

FIG. 6 is a bottom plan view of the carrying case with  
speakers in accordance with the present invention.

FIG. 7 is a left side elevation view of the carrying case with  
speakers in accordance with the present invention; and,

FIG. 8 is a right side elevation view of the carrying case with  
speakers in accordance with the present invention.

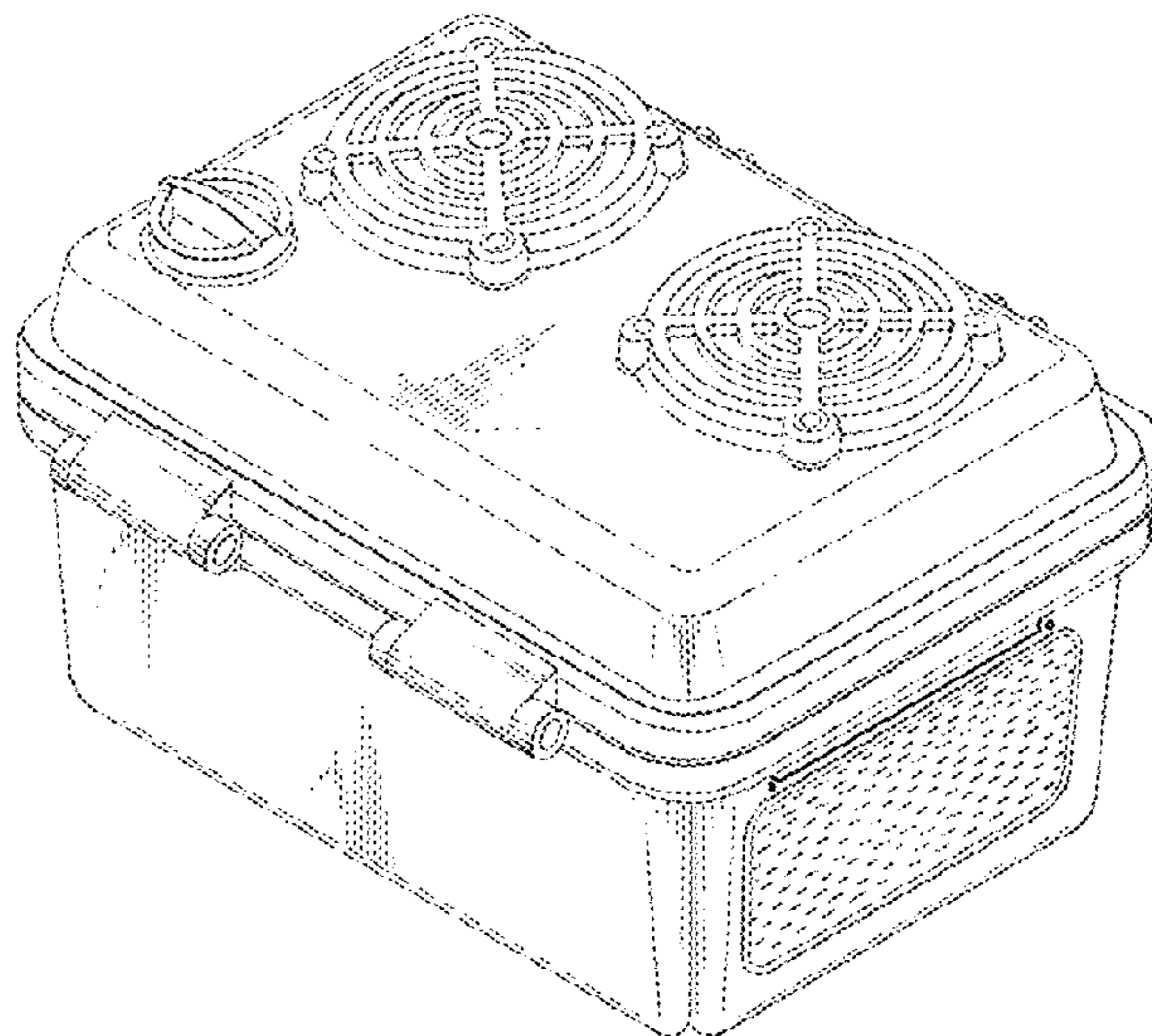
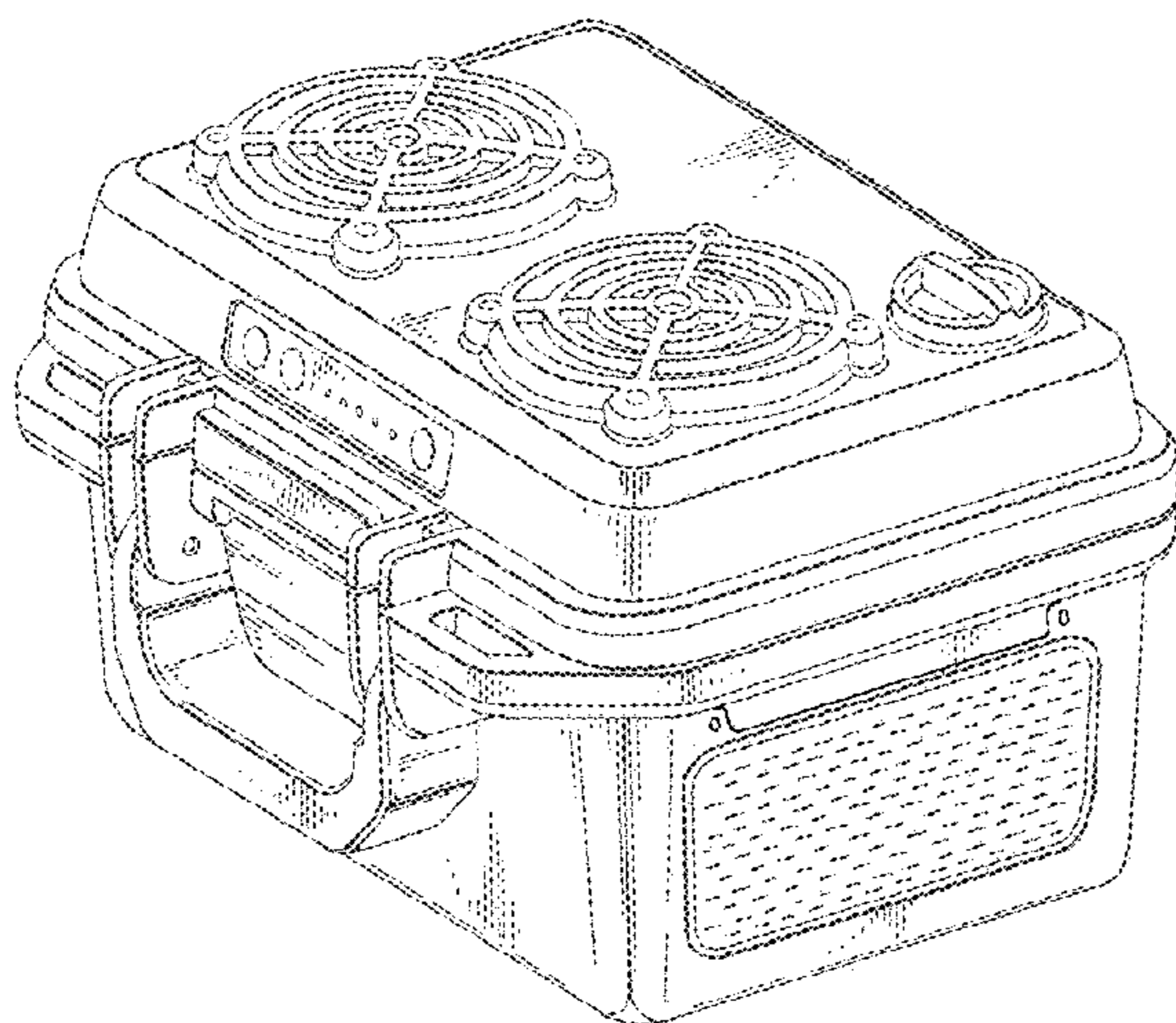
(56) **References Cited**

U.S. PATENT DOCUMENTS

D334,285 S	*	3/1993	Wilson	.....	D14/168
D375,311 S	*	11/1996	Keseling	.....	D14/168
D441,531 S	*	5/2001	Lee	.....	D14/168
D459,882 S	*	7/2002	Yuen	.....	D14/168
D476,152 S	*	6/2003	Lee	.....	D14/168
D531,989 S	*	11/2006	Dayan	.....	D14/215
D540,299 S	*	4/2007	Tragatschnig	.....	D14/188
D551,305 S	*	9/2007	Yu	.....	D21/516
D559,833 S	*	1/2008	Skurdal	.....	D14/168
D566,130 S	*	4/2008	Entner	.....	D14/217

(Continued)

**1 Claim, 5 Drawing Sheets**



(56)

**References Cited**

U.S. PATENT DOCUMENTS

D572,235 S \* 7/2008 Imawaki ..... D14/207  
D583,357 S \* 12/2008 Chen ..... D14/168  
D658,628 S \* 5/2012 Hahner ..... D14/196  
D813,200 S \* 3/2018 Rabinowitz ..... D14/215  
D813,840 S \* 3/2018 Rabinowitz ..... D14/215  
D851,056 S \* 6/2019 Zeng ..... D14/188  
D851,069 S \* 6/2019 Fortin ..... D14/217  
D876,339 S \* 2/2020 Xu ..... D13/103  
D879,738 S \* 3/2020 Guo ..... D14/188  
D881,834 S \* 4/2020 Sabbag ..... D14/188  
D914,640 S \* 3/2021 Wang ..... D14/215  
2017/0173782 A1 \* 6/2017 Chen ..... B25H 3/028  
2017/0257958 A1 \* 9/2017 Sabbag ..... G10K 9/22  
2019/0315515 A1 \* 10/2019 Gonitiner ..... B65D 21/0217

OTHER PUBLICATIONS

Roland DJ-202 Serato DJ Controller, publication date not available,  
[retrieved May 14, 2020], Retrieved from internet, URL: <<https://www.idjnow.com/roland-dj-202-serato-controller-with-12-inch-active-speakers.html>> (Year: 2020).\*

\* cited by examiner



FIG. 1

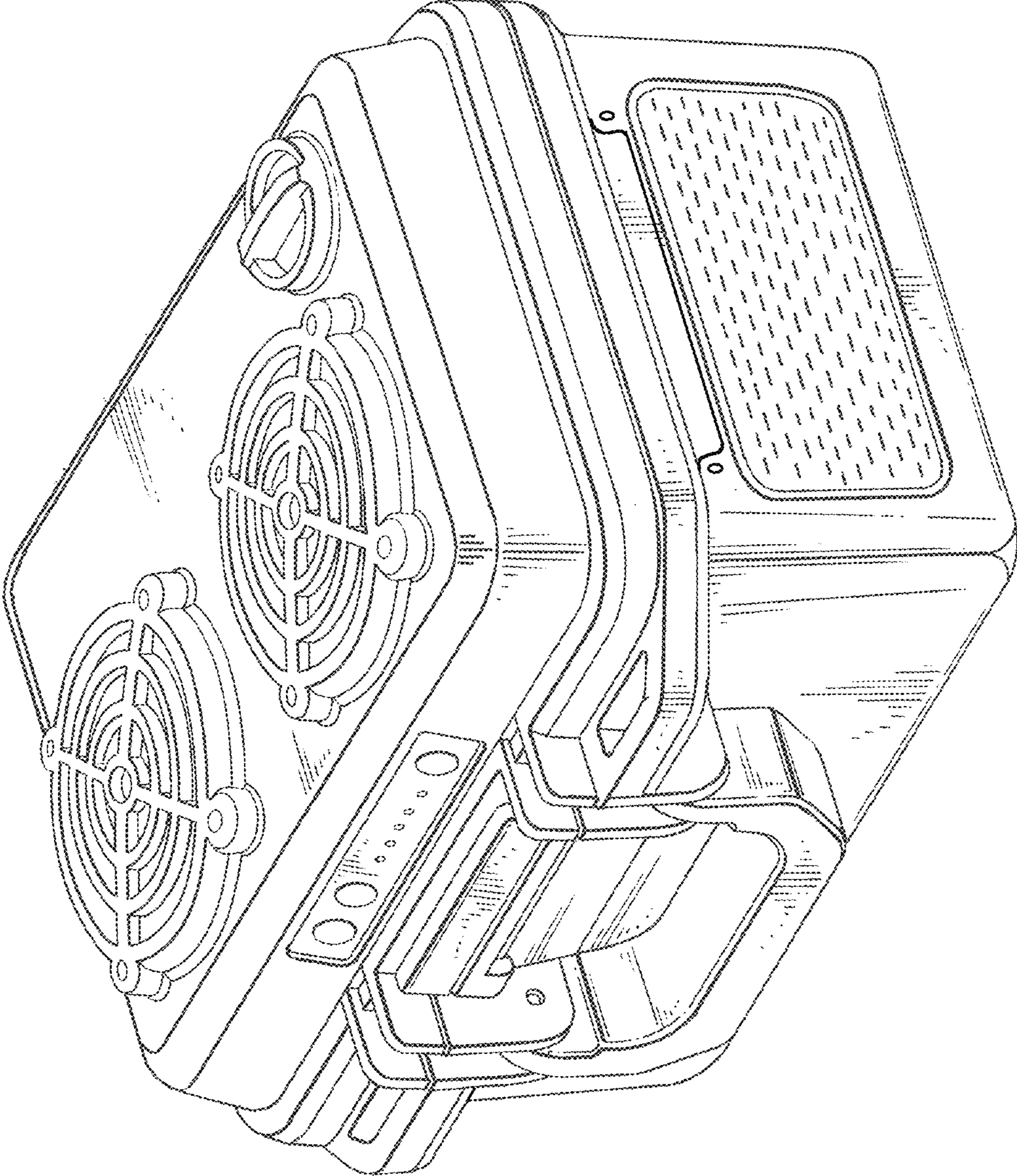
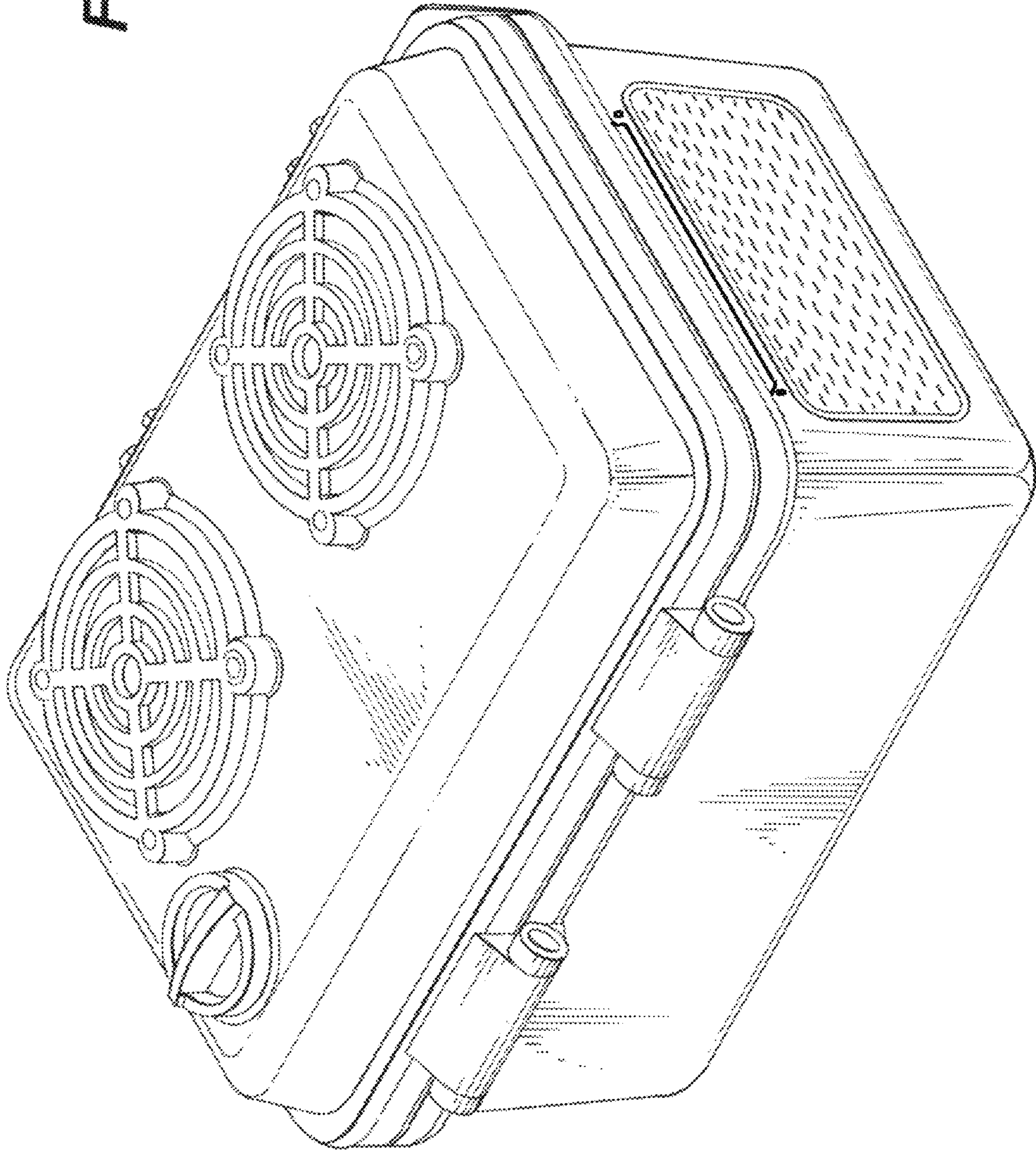
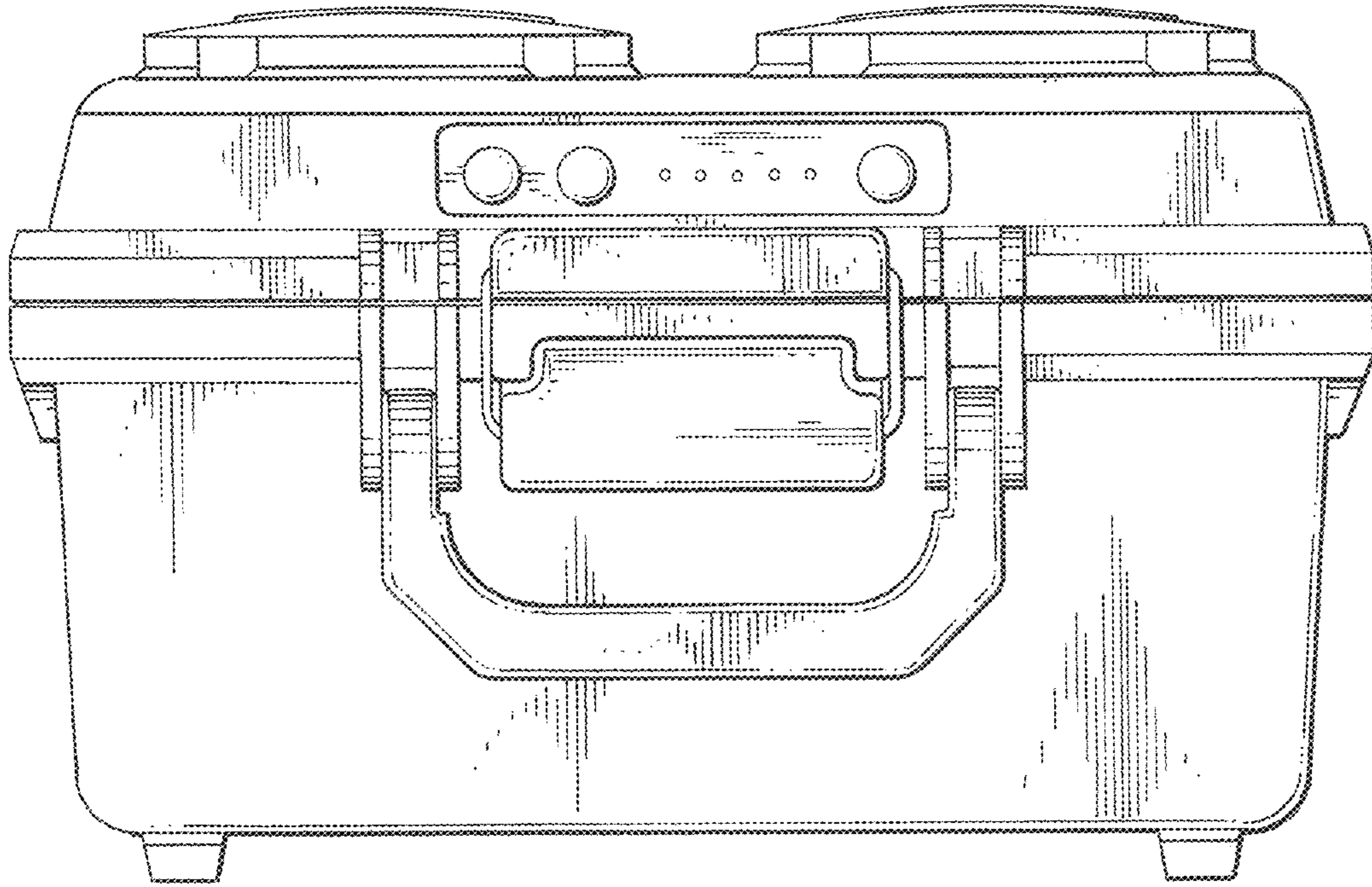


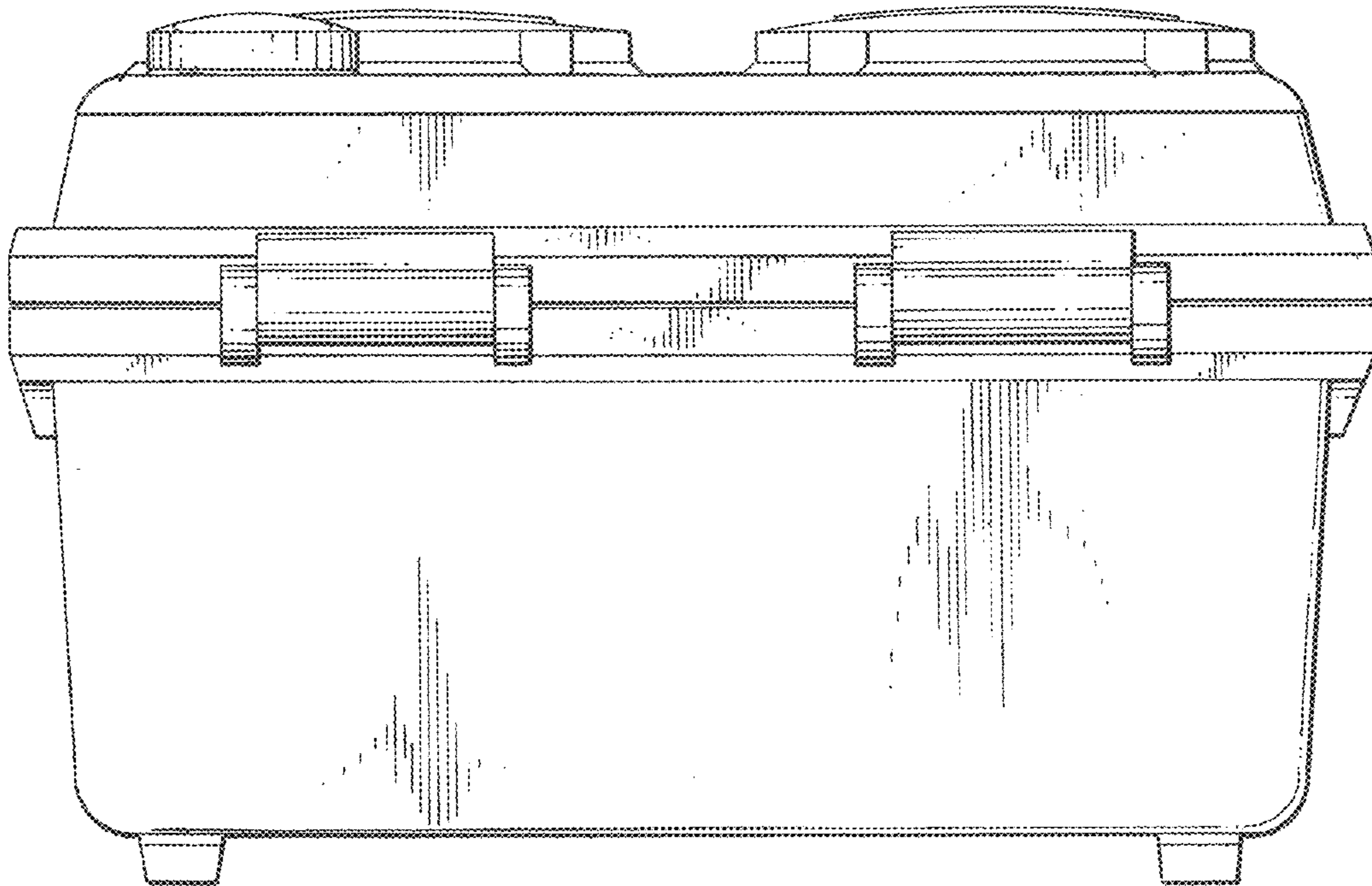
FIG. 2



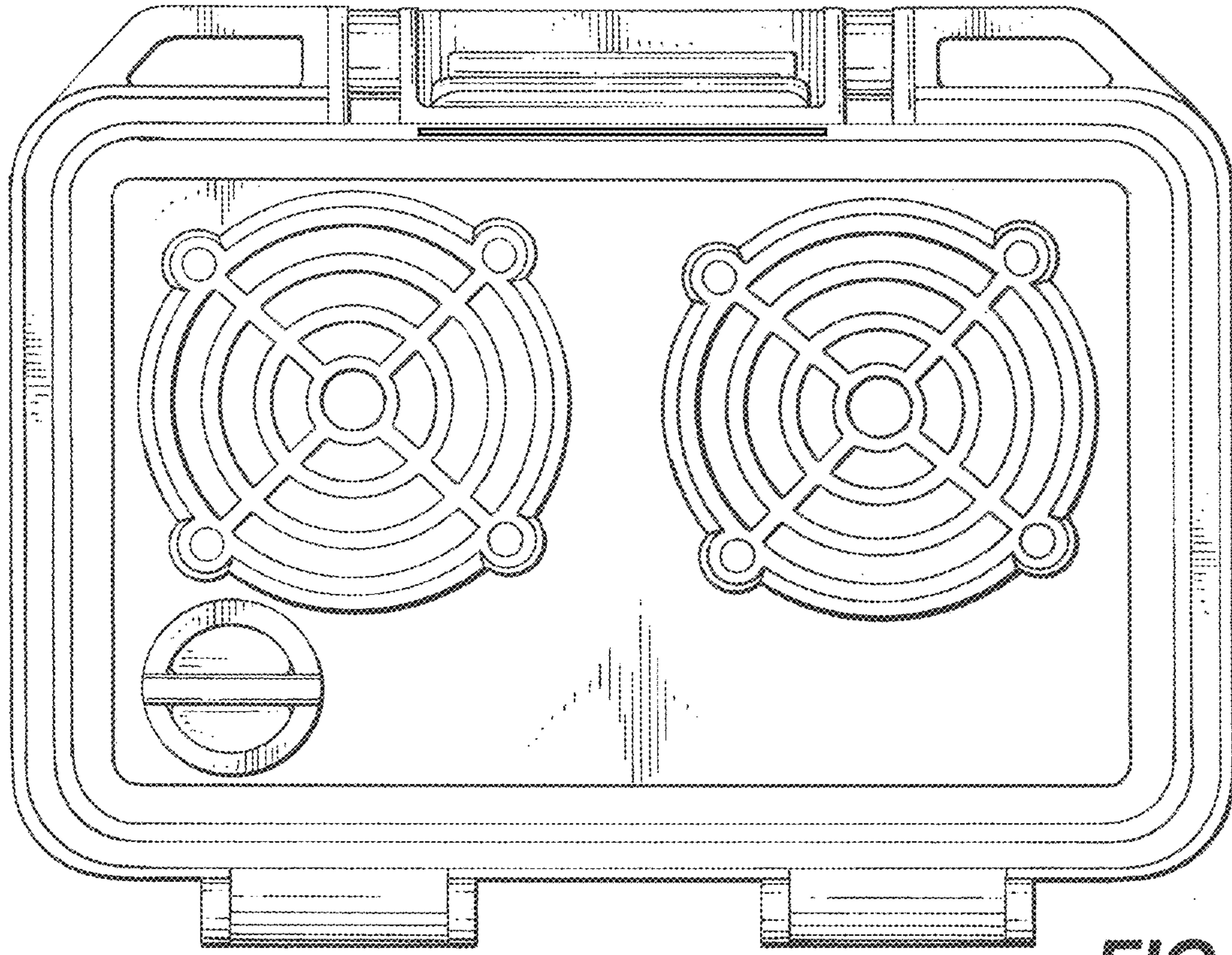




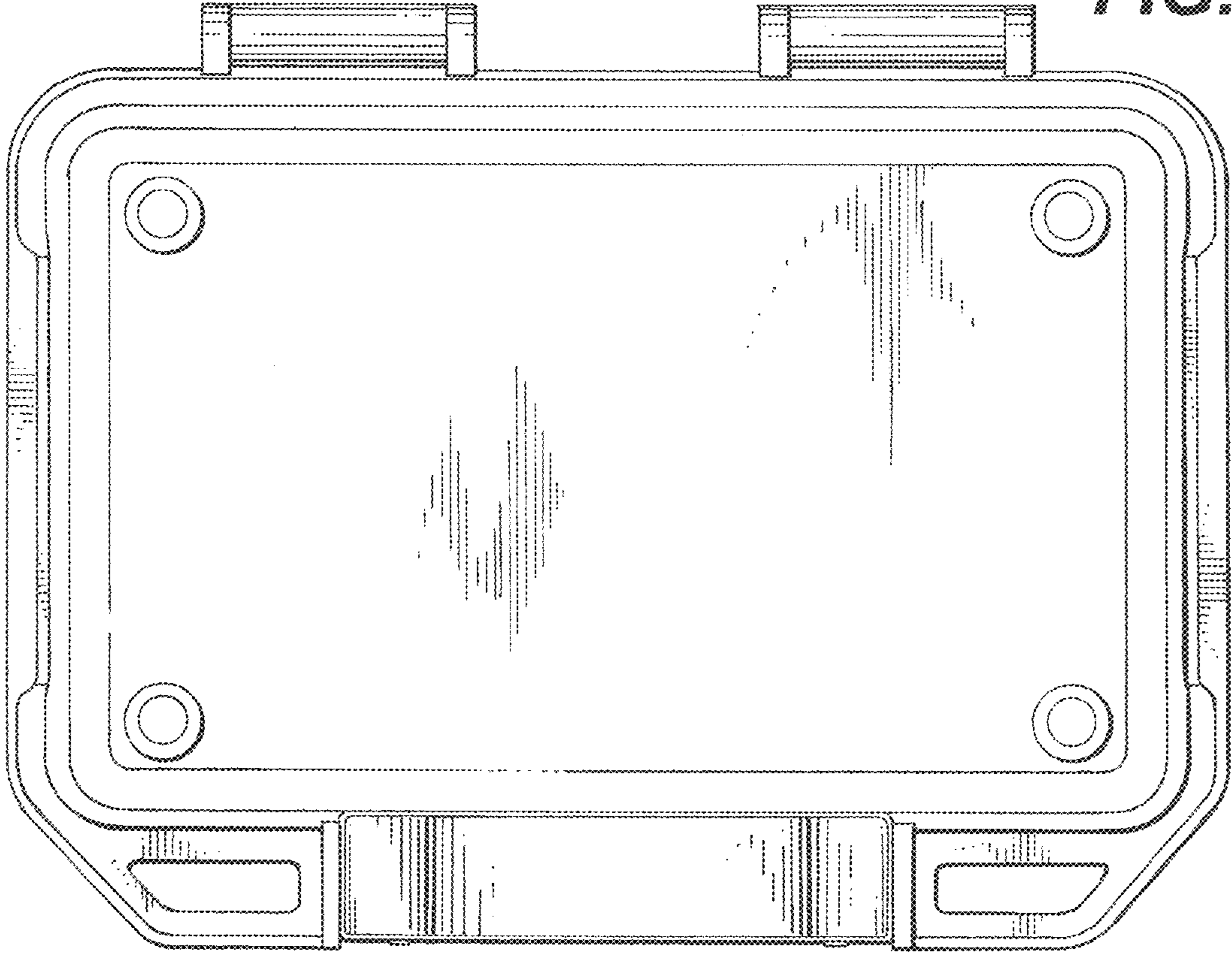
**FIG. 3**



**FIG. 4**

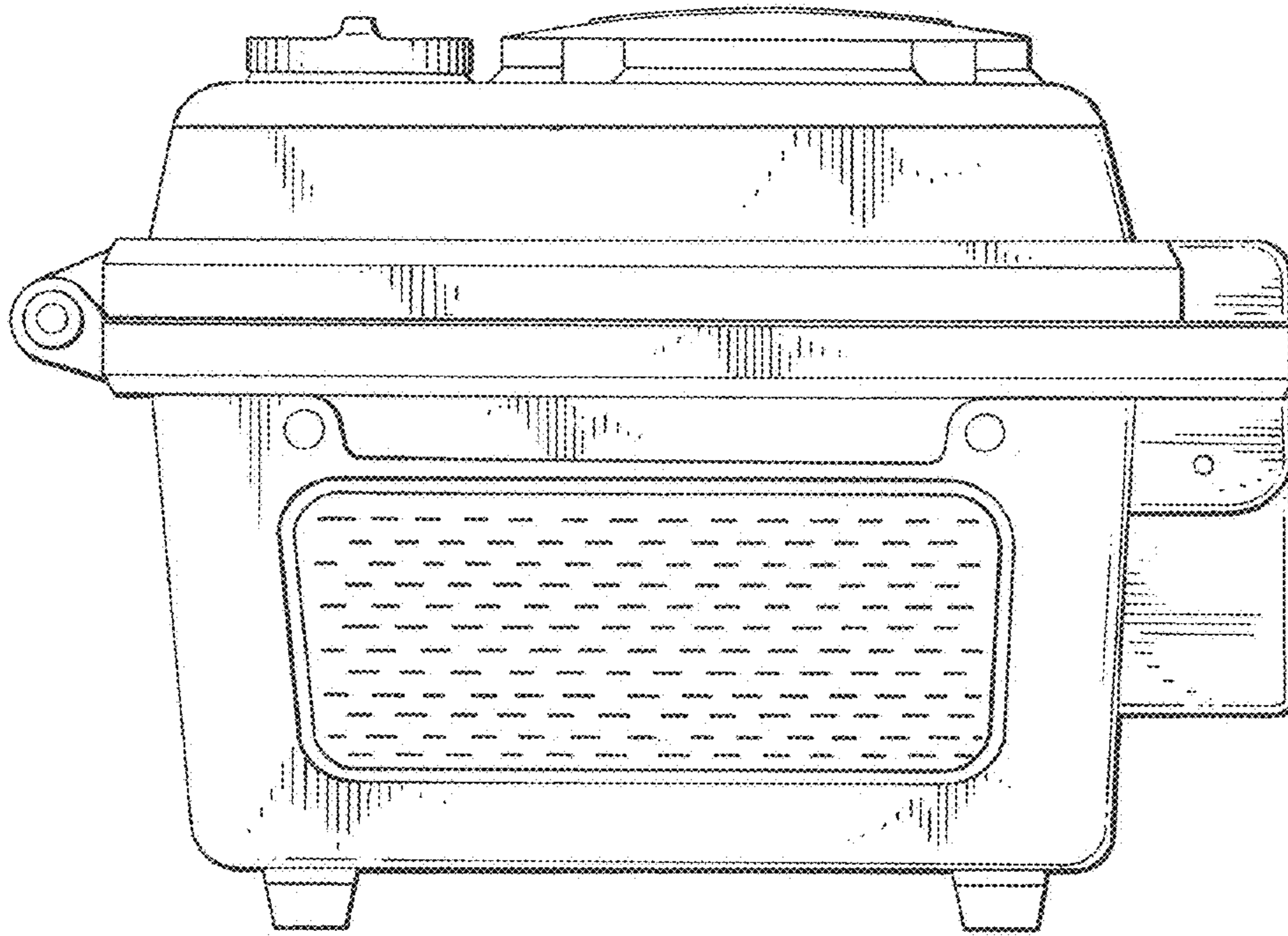


**FIG. 5**

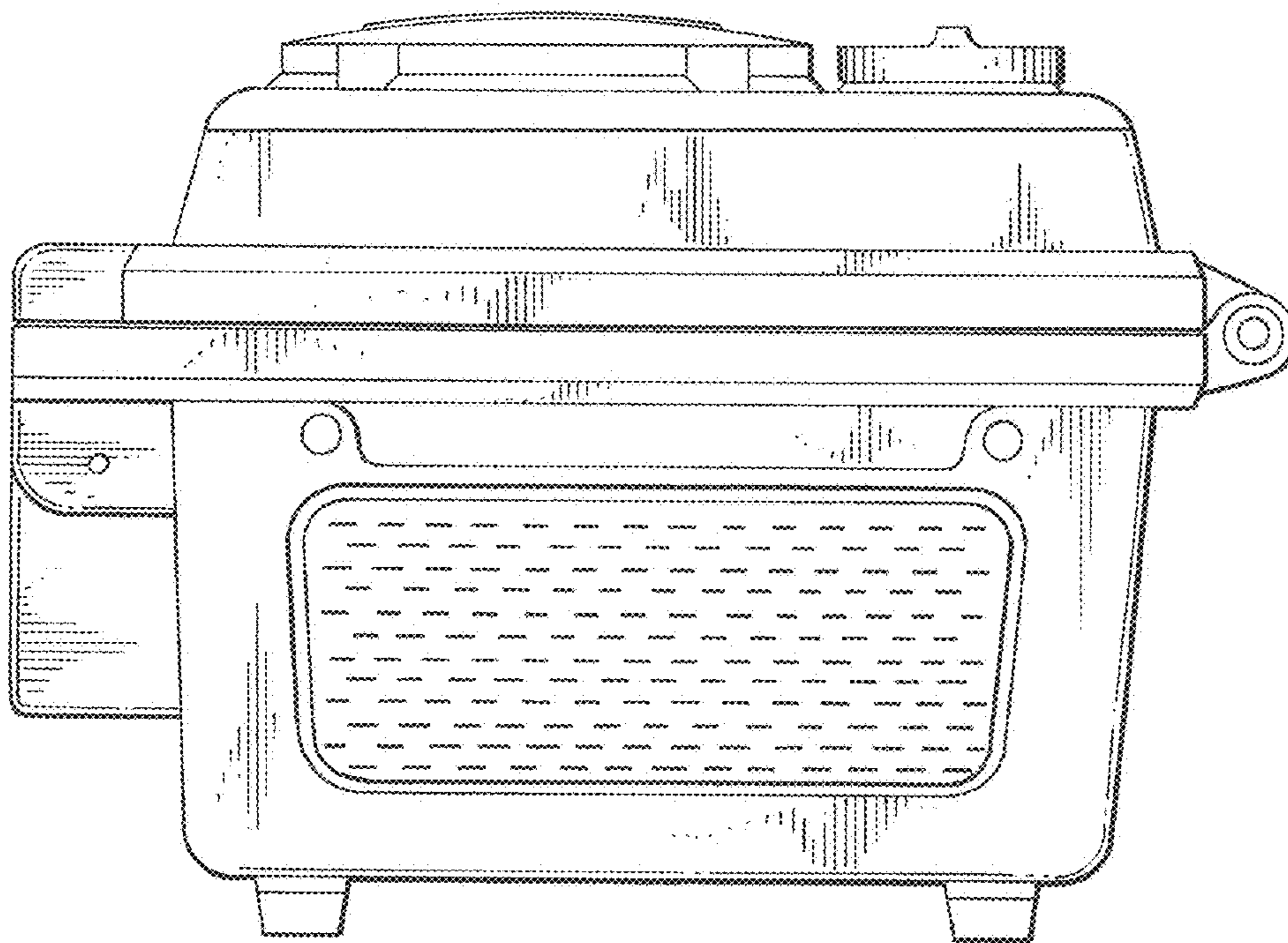


**FIG. 6**





**FIG. 7**



**FIG. 8**