



US00D989026S

(12) **United States Design Patent**
Chen

(10) **Patent No.:** **US D989,026 S**

(45) **Date of Patent:** **** Jun. 13, 2023**

(54) **RECEIVER**

(71) Applicant: **Junkui Chen**, Guangdong (CN)

(72) Inventor: **Junkui Chen**, Guangdong (CN)

(**) Term: **15 Years**

(21) Appl. No.: **29/758,244**

(22) Filed: **Nov. 13, 2020**

(51) **LOC (14) Cl.** **14-03**

(52) **U.S. Cl.**
USPC **D14/188**

(58) **Field of Classification Search**
USPC D14/125, 188, 217, 235, 240, 242, 358,
D14/438, 496; D10/104.1, 105, 106.6
CPC . H04W 16/20; H04W 88/002; H04W 88/005;
H04W 88/08
See application file for complete search history.

(56) **References Cited**

U.S. PATENT DOCUMENTS

D295,178 S *	4/1988	Pedinielli	D14/242
D371,312 S *	7/1996	Suzuki	D10/116.1
D442,171 S *	5/2001	Jang	D14/242
D544,497 S *	6/2007	Kindle	D14/496
D575,800 S *	8/2008	Kusano	D14/496
D586,328 S *	2/2009	Ganley	D14/188
D586,339 S *	2/2009	Varsavsky Waisman-Diamond	D14/240
D597,087 S *	7/2009	Herbst	D14/240

D606,523 S *	12/2009	Herbst	D14/240
D640,692 S *	6/2011	Waisman-Diamond	D14/240
D686,207 S *	7/2013	Lewis	D14/240
D733,708 S *	7/2015	Chen	D14/240
D769,232 S *	10/2016	Chu	D14/242
D780,731 S *	3/2017	Kim	D14/242
D783,610 S *	4/2017	Zhou	D14/240
D784,329 S *	4/2017	Zhou	D14/240
D814,434 S *	4/2018	Li	D14/125
D831,597 S *	10/2018	Lee	D14/125
D855,596 S *	8/2019	Harley	D14/242
D931,266 S *	9/2021	Chong	D14/242

* cited by examiner

Primary Examiner — Khawaja Anwar
Assistant Examiner — Megan Tiana Rakos

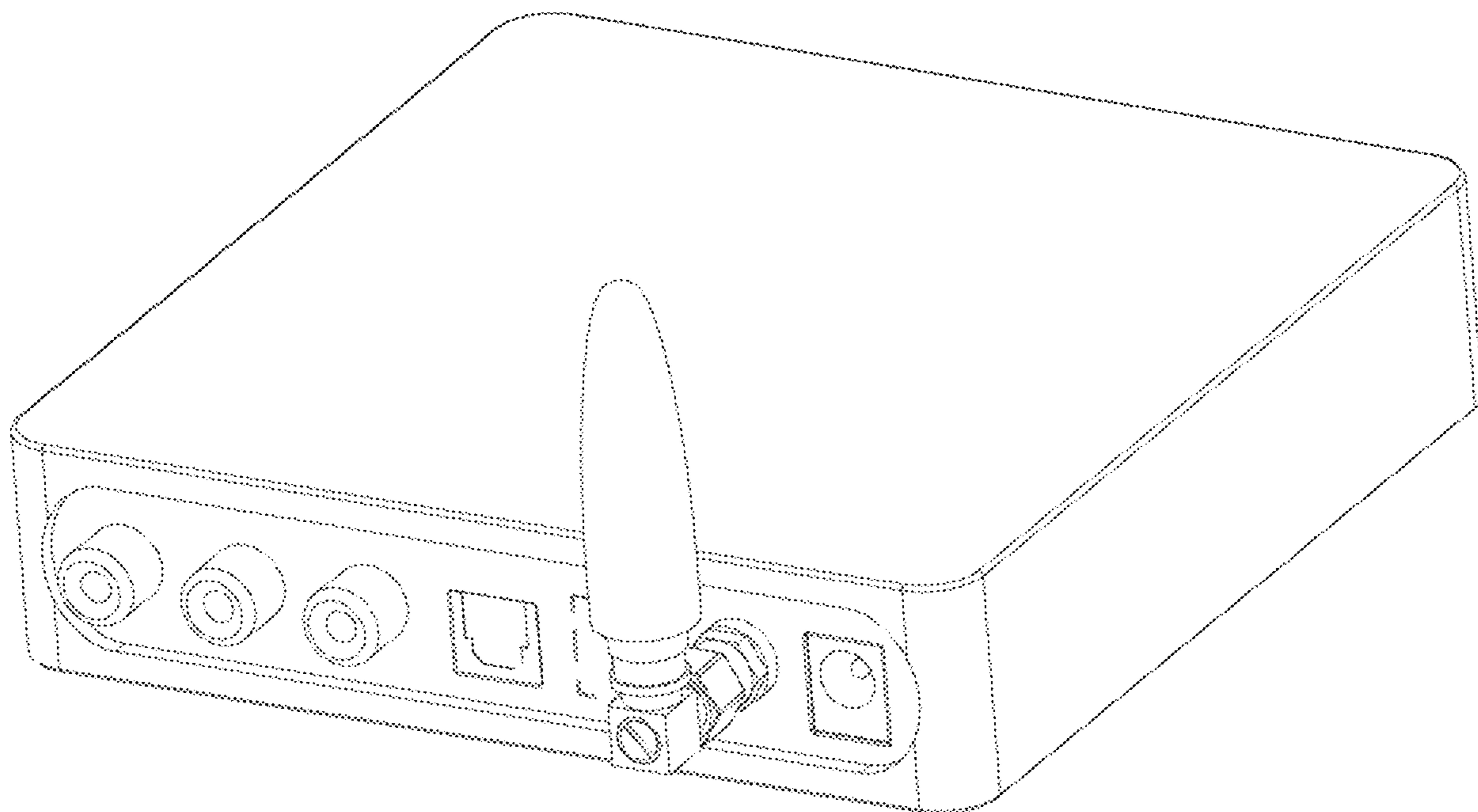
(57) **CLAIM**

The ornamental design for a receiver, as shown and described.

DESCRIPTION

FIG. 1 is a perspective view of a receiver showing my new design;
FIG. 2 is a front elevation view thereof;
FIG. 3 is a rear elevation view thereof;
FIG. 4 is a left side elevation view thereof;
FIG. 5 is a right side elevation view thereof;
FIG. 6 is a top plan view thereof; and,
FIG. 7 is a bottom plan view thereof.
The broken lines in the drawings illustrate portions of the receiver that form no part of the claimed design.

1 Claim, 7 Drawing Sheets



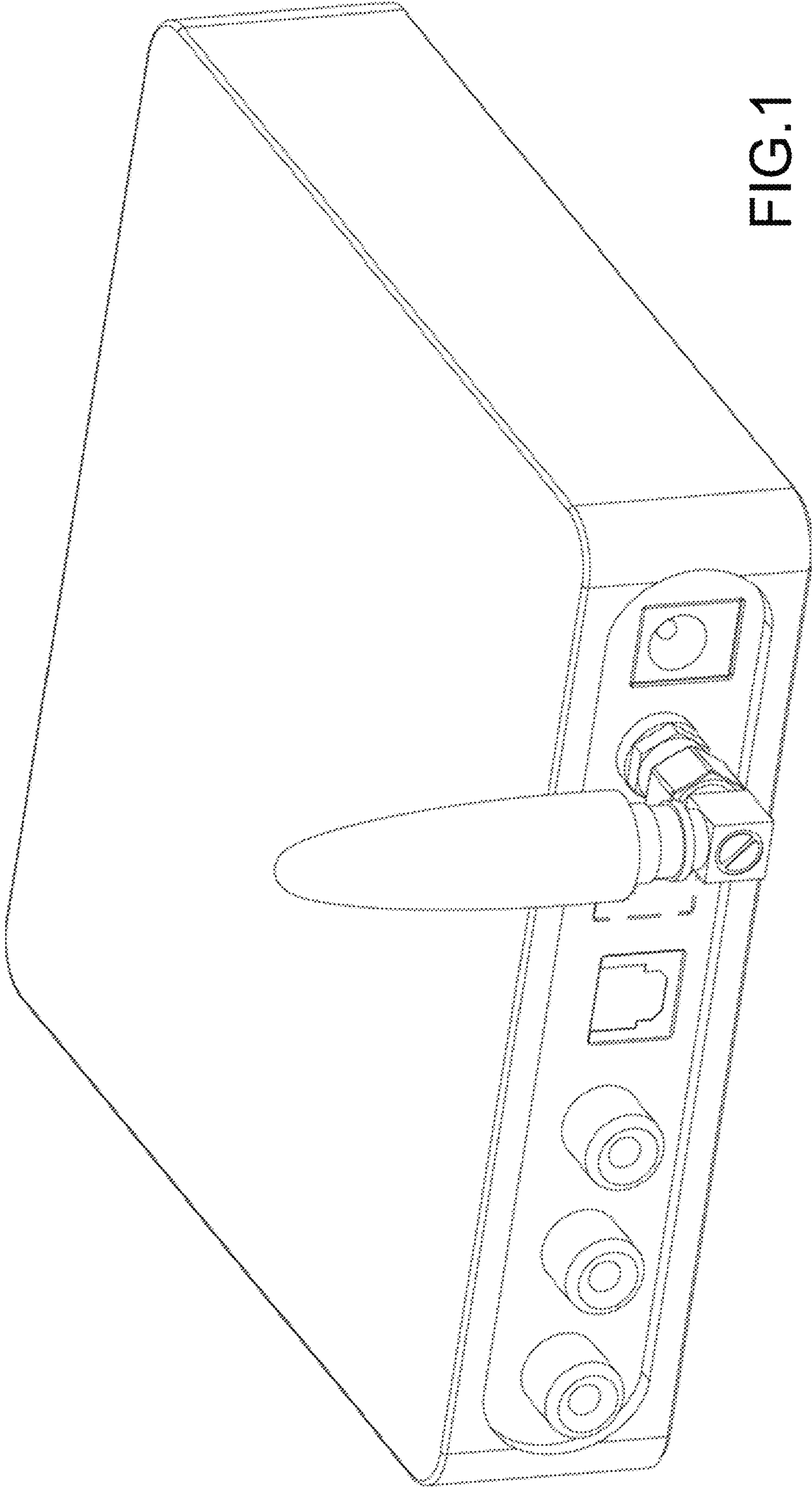


FIG.1

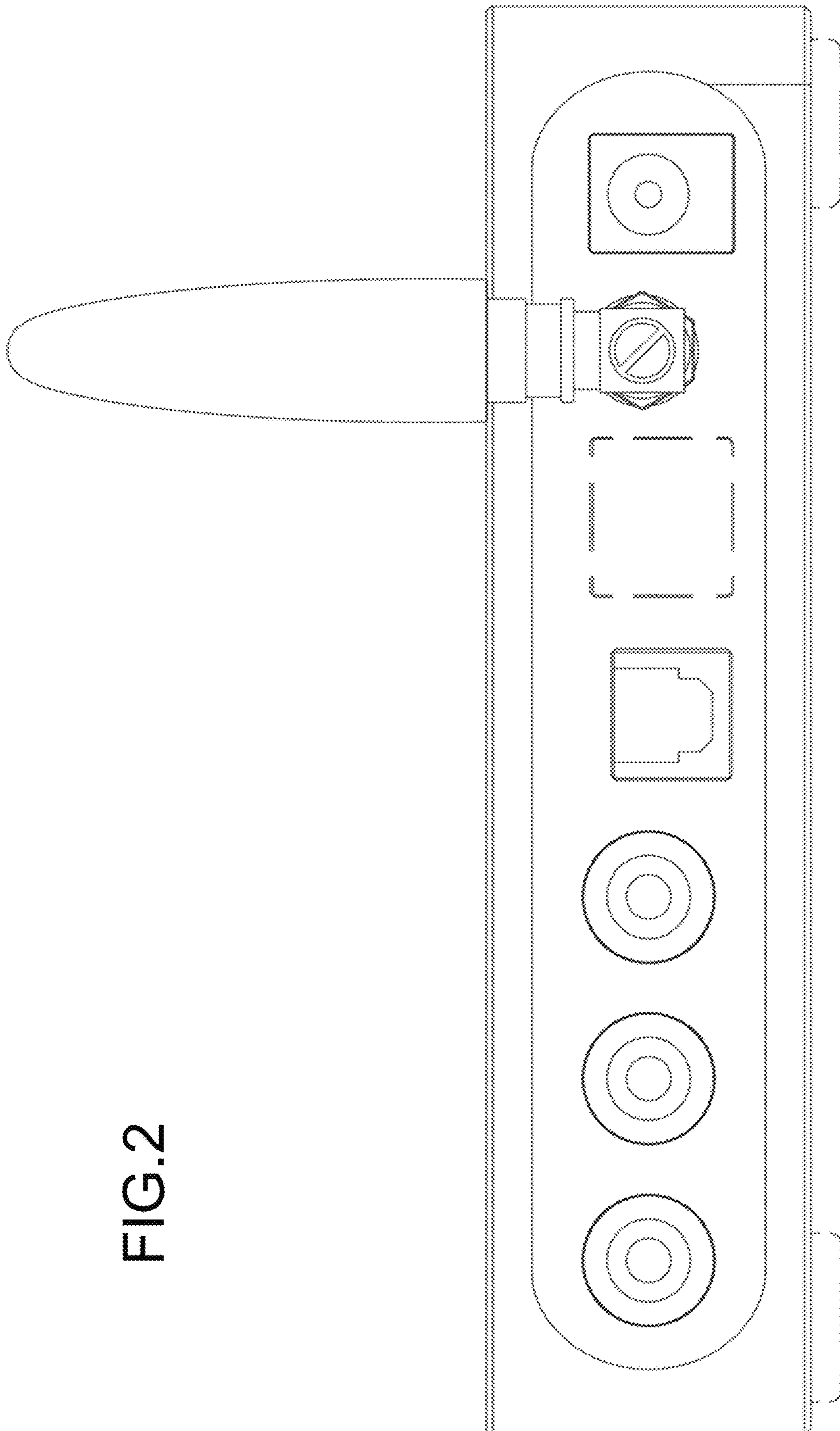
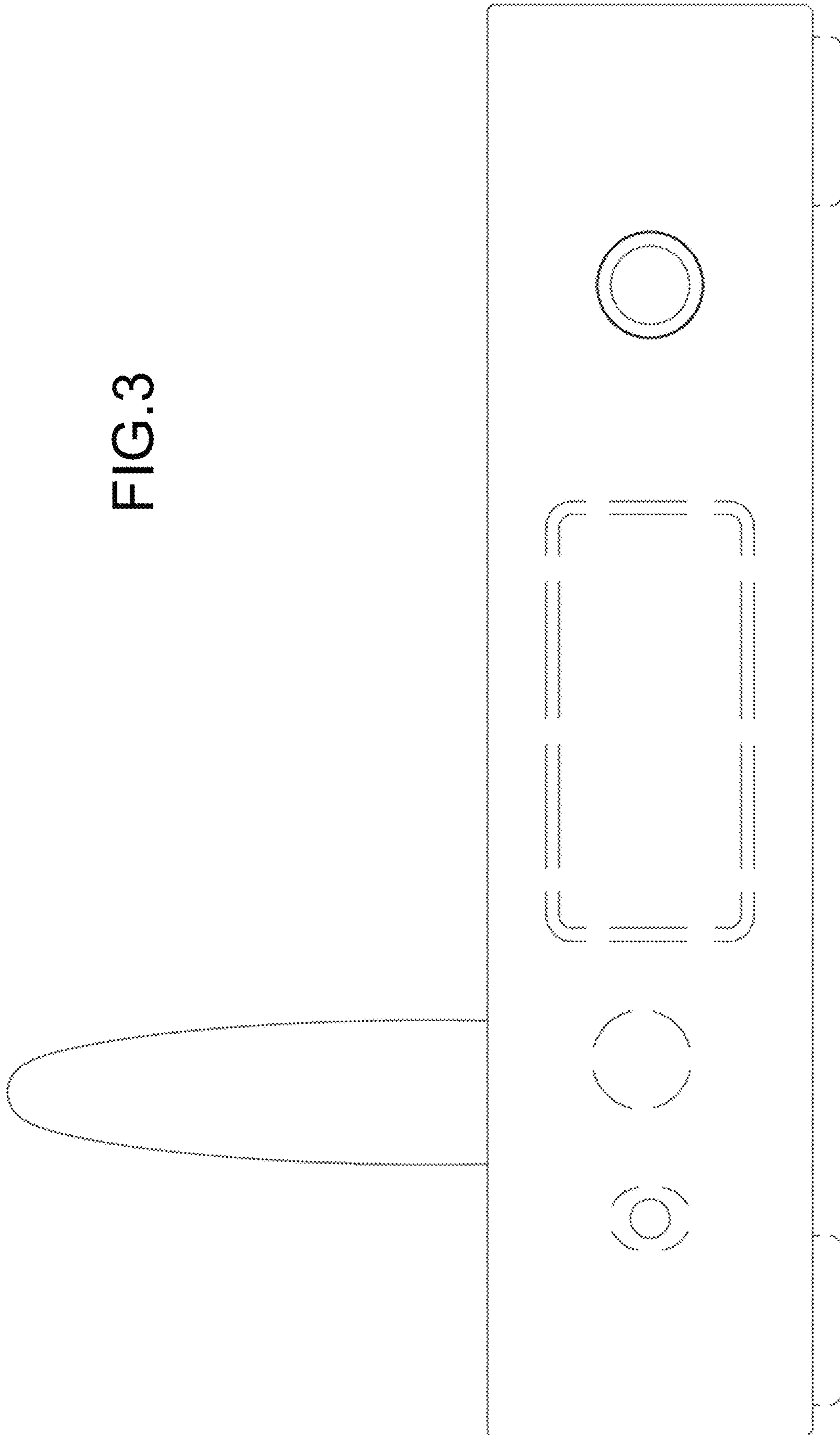


FIG. 2

FIG.3



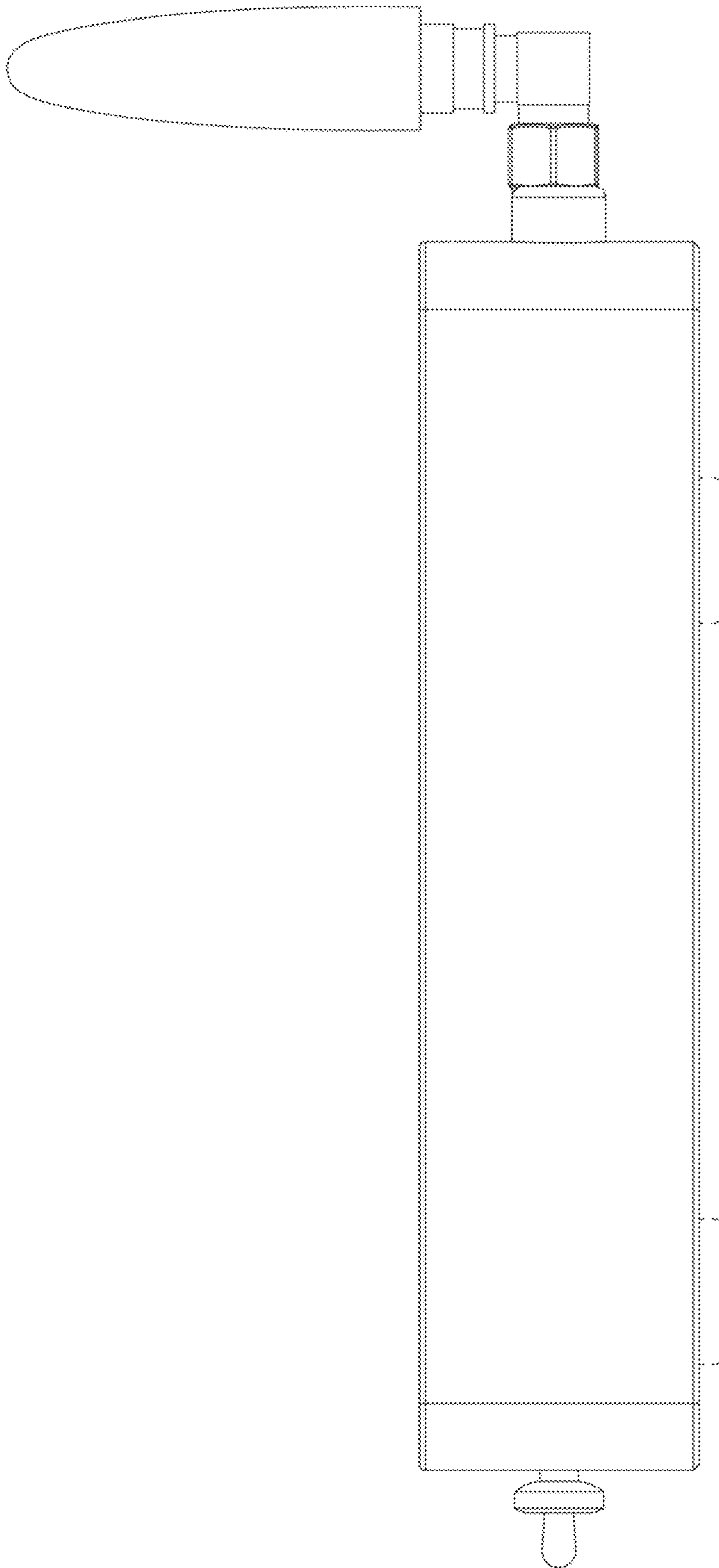


FIG.4

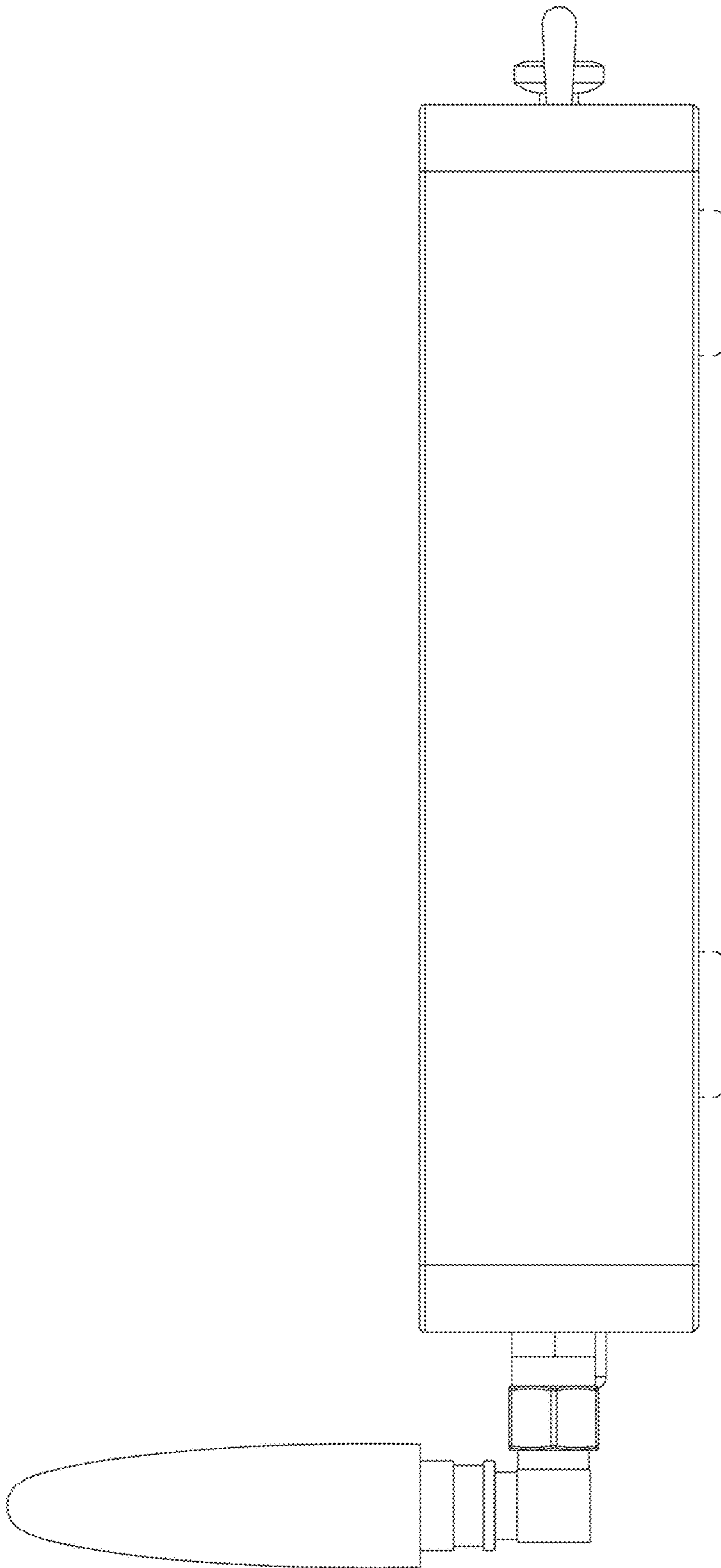


FIG. 5

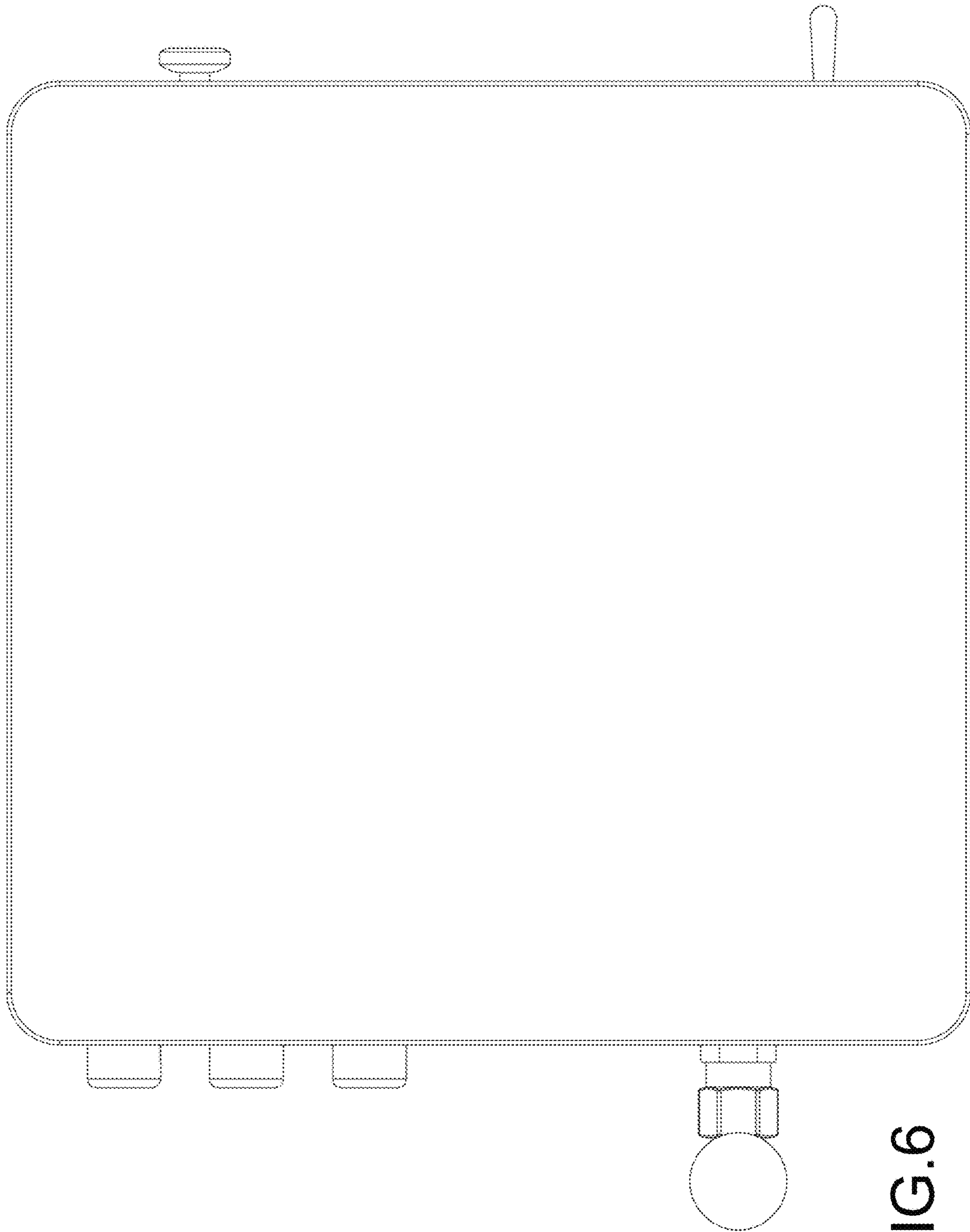


FIG. 6

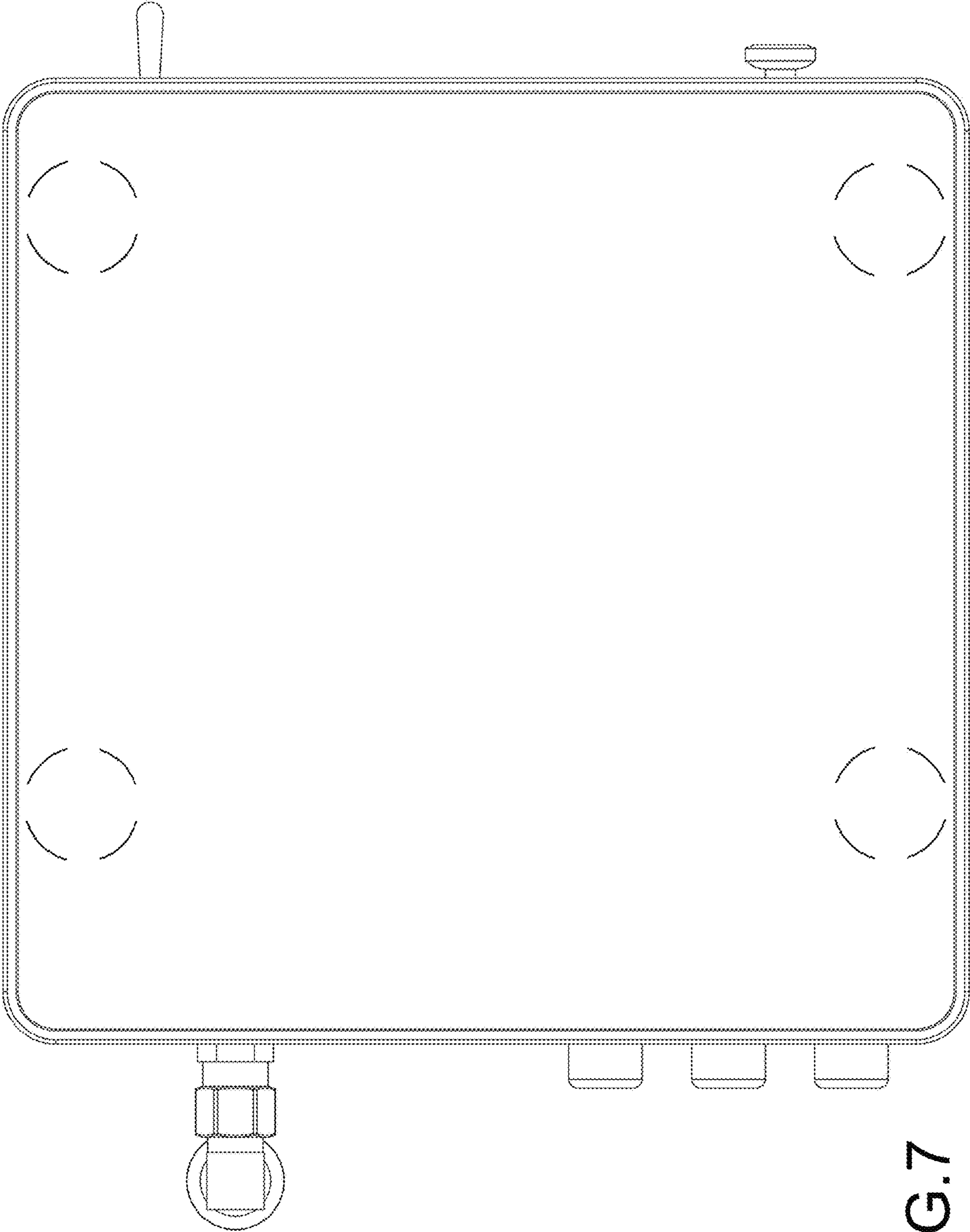


FIG. 7