



US00D989023S

(12) **United States Design Patent**
Arefti et al.

(10) **Patent No.:** **US D989,023 S**
(45) **Date of Patent:** **** Jun. 13, 2023**

(54) **JUKEBOX INSERT FOR JUKEBOX COVER ASSEMBLY**

(71) Applicant: **TouchTunes Music Corporation**, New York, NY (US)

(72) Inventors: **Vitalie Arefti**, Laval (CA); **Michel Bryant**, Laval (CA); **Jean Gauthier**, Sainte-Therese (CA); **Leo Frederick Maheu**, Montreal (CA); **Daniel Eugene Hamric**, Lake in the Hills, IL (US); **Michael Tooker**, Montreal (CA)

(73) Assignee: **TOUCHTUNES MUSIC COMPANY, LLC**, New York, NY (US)

(**) Term: **15 Years**

(21) Appl. No.: **29/801,756**

(22) Filed: **Jul. 30, 2021**

Related U.S. Application Data

(60) Continuation of application No. 29/729,739, filed on Mar. 30, 2020, now Pat. No. Des. 926,720, which is (Continued)

(51) **LOC (14) Cl.** **14-01**

(52) **U.S. Cl.**
USPC **D14/172**

(58) **Field of Classification Search**
USPC D14/157, 167, 168, 170–172, 188, D14/194–196, 204, 207, 209.1, 210–216, D14/219, 221, 222, 224, 239, 496, 401, D14/435, 474, 483, 217, 137, 138, 160, D14/356, 203.1–203.8, 507, 184, 173

(Continued)

(56) **References Cited**

U.S. PATENT DOCUMENTS

D215,853 S 11/1969 La Zar
D254,052 S 1/1980 Wolfe

(Continued)

OTHER PUBLICATIONS

The Fusion Barrel Edition Music Player by TouchTunes on display during the Amusement Expo a . . . ReviewJournal.com, Mar. 27, 2019 [online], site visited Dec. 22, 2020; URL: <https://www.reviewjournal.com/business/archade-businesses-set-for-revival-industry-insiders-say-1628383/attachment/the-fusion> (Year 2019).

Primary Examiner — Jonathan J Han

(74) *Attorney, Agent, or Firm* — Nixon & Vanderhye, PC

(57) **CLAIM**

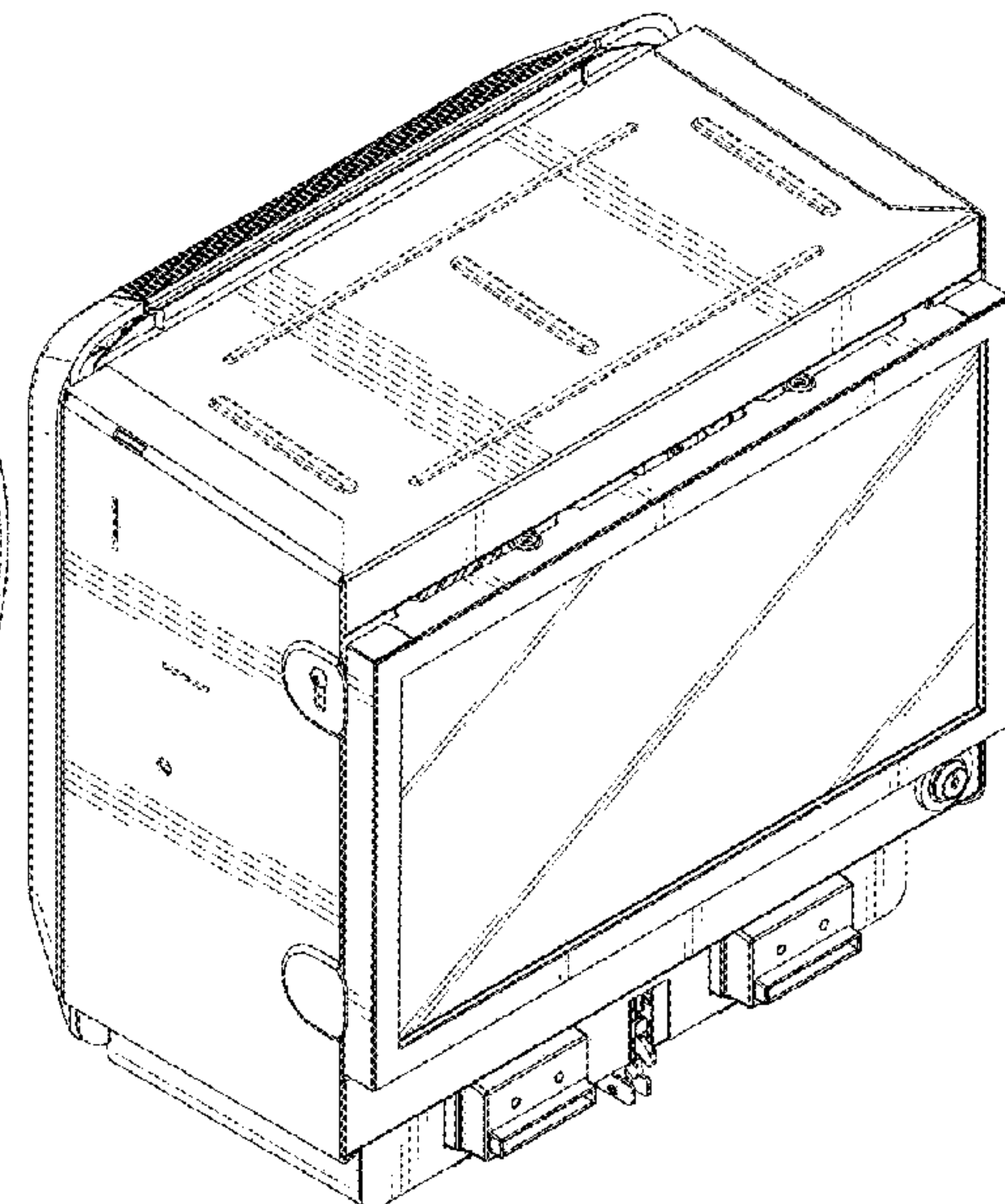
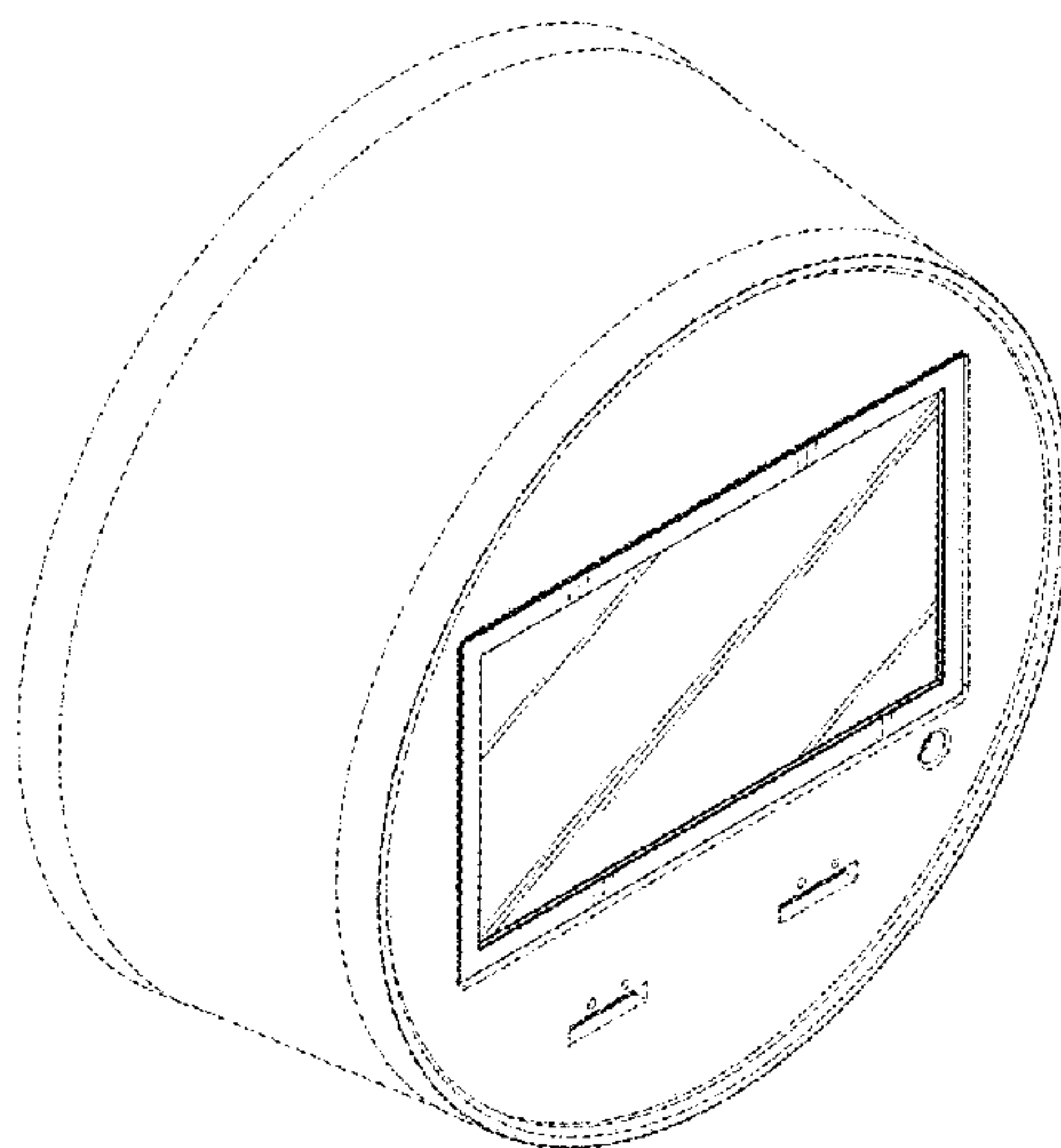
The ornamental design for a jukebox insert for jukebox cover assembly, as shown and described.

DESCRIPTION

FIG. 1 is a front perspective view of a jukebox insert for jukebox cover assembly in a fully assembled configuration; FIG. 2 is a front perspective view of a jukebox insert for jukebox cover assembly of FIG. 1, with the cover portion detached (i.e., with the jukebox cover assembly removed and not shown); FIG. 3 is a front elevation view thereof; FIG. 4 is a rear elevation view thereof; FIG. 5 is a top plan view thereof; FIG. 6 is a bottom plan view thereof; FIG. 7 is a right side view thereof; FIG. 8 is a left side view thereof; and, FIG. 9 is a rear perspective view thereof.

The dashed broken lines in FIG. 1 represent environmental structure that forms no part of the claimed design. The dashed broken lines in FIGS. 2-9 show portions of the invention that form no part of the claimed design.

1 Claim, 8 Drawing Sheets



Related U.S. Application Data

a division of application No. 29/650,773, filed on Jun. 8, 2018, now Pat. No. Des. 883,249.

(58) **Field of Classification Search**

CPC B60R 11/0217; G06F 1/1688; G10K 9/22; G10K 11/004; H03F 1/327; H04M 1/03; H04M 1/035; H04N 5/642; H04N 21/4852; H04R 1/02; H04R 1/06; H04R 1/021; H04R 1/025; H04R 1/026; H04R 1/028; H04R 1/105; H04R 1/323; H04R 1/403; H04R 1/2803; H04R 1/2834; H04R 5/02; H04R 7/20; H04R 9/06; H04R 9/025; H04R 2201/021; H04R 2400/00; H04R 2400/07; H04R 2499/11; H04R 2499/13; H04R 2499/15; H04S 3/00; H04S 7/30

See application file for complete search history.

(56) **References Cited**

U.S. PATENT DOCUMENTS

D291,536 S 8/1987 Crawford
 D316,977 S * 5/1991 Kolbow D10/51
 D333,792 S * 3/1993 Odom, Jr. D10/50
 D390,482 S 2/1998 Pasquarette
 D405,791 S * 2/1999 Menke D14/173
 D456,807 S 5/2002 Floyd
 D475,690 S * 6/2003 Nose D14/157
 D503,631 S 4/2005 Peabody
 D506,150 S 6/2005 Backlund
 D506,689 S 6/2005 Backlund
 D512,406 S 12/2005 Shimizu
 D518,744 S * 4/2006 Rosen D10/52
 D551,577 S 9/2007 Barton
 D560,209 S 1/2008 Kim
 D582,800 S * 12/2008 Comerford D10/50
 D582,802 S * 12/2008 Branson D10/50
 D582,803 S * 12/2008 Comerford D10/50
 D582,807 S * 12/2008 Ichikawa D10/65

D585,898 S 2/2009 Skurdal
 D597,424 S * 8/2009 Miyawaki D10/65
 D606,517 S 12/2009 Nousiainen
 D607,347 S 1/2010 Goh
 D617,314 S 6/2010 Zha
 D630,184 S * 1/2011 Tomono D14/157
 D662,839 S * 7/2012 Morrow D10/50
 D665,375 S 8/2012 Garneau
 D671,528 S 11/2012 Fathollahi
 D676,768 S * 2/2013 Eyring D10/50
 D679,205 S * 4/2013 Eyring D10/50
 D680,095 S * 4/2013 Tomono D14/258
 D683,326 S * 5/2013 Sanlaville D14/157
 D686,591 S * 7/2013 Garneau D14/173
 D687,809 S 8/2013 Bergmann
 D705,815 S 2/2014 Green
 D705,092 S * 5/2014 Edgar D10/50
 D705,093 S * 5/2014 Edgar D10/50
 D710,329 S 8/2014 Holzer
 D717,673 S * 11/2014 Eyring D10/50
 D722,039 S * 2/2015 Garneau D14/173
 D724,048 S * 3/2015 Tomono D14/258
 D724,049 S * 3/2015 Funayama D14/258
 D731,331 S * 6/2015 Edgar D10/50
 D734,735 S 7/2015 Tooker
 D765,052 S * 8/2016 Garneau D14/173
 D791,093 S 7/2017 Clegg
 D801,299 S * 10/2017 Maas D14/172
 D810,045 S 2/2018 Kim
 D820,318 S 6/2018 Mullins
 D824,763 S 8/2018 Suess
 D826,738 S 8/2018 Liao
 D835,070 S 12/2018 DePasquale
 D837,148 S 1/2019 Brown
 D843,238 S 3/2019 Rose
 D843,239 S 3/2019 Read
 D865,754 S * 11/2019 Mihara D14/258
 D883,249 S 5/2020 Arefti
 D903,624 S 12/2020 Tooker
 D926,720 S * 8/2021 Arefti D14/172
 11,189,257 B2 * 11/2021 Arefti G06Q 20/405
 2019/0378485 A1 12/2019 Arefti
 2022/0044665 A1 * 2/2022 Arefti G10H 1/0008

* cited by examiner

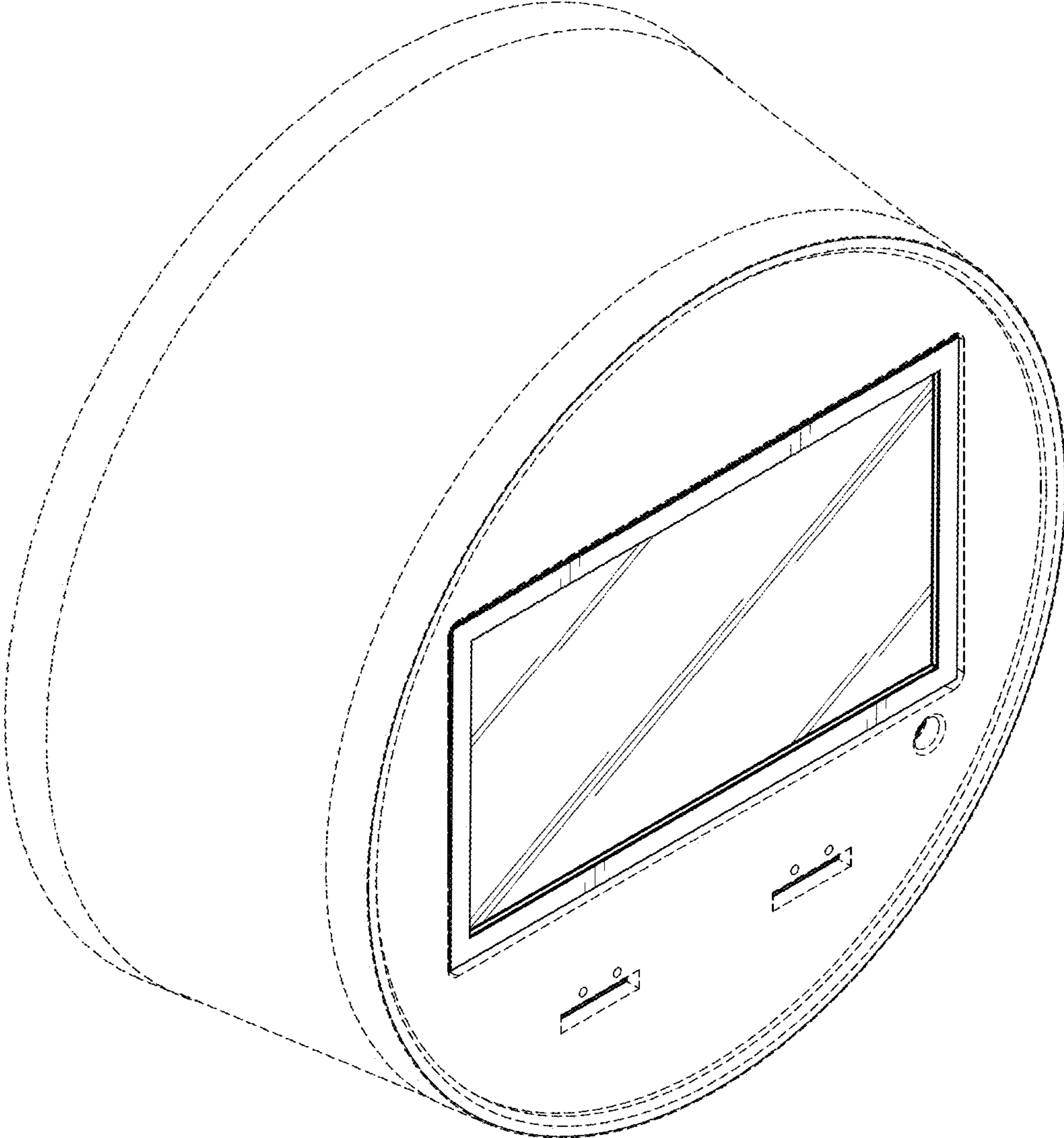


FIG. 1

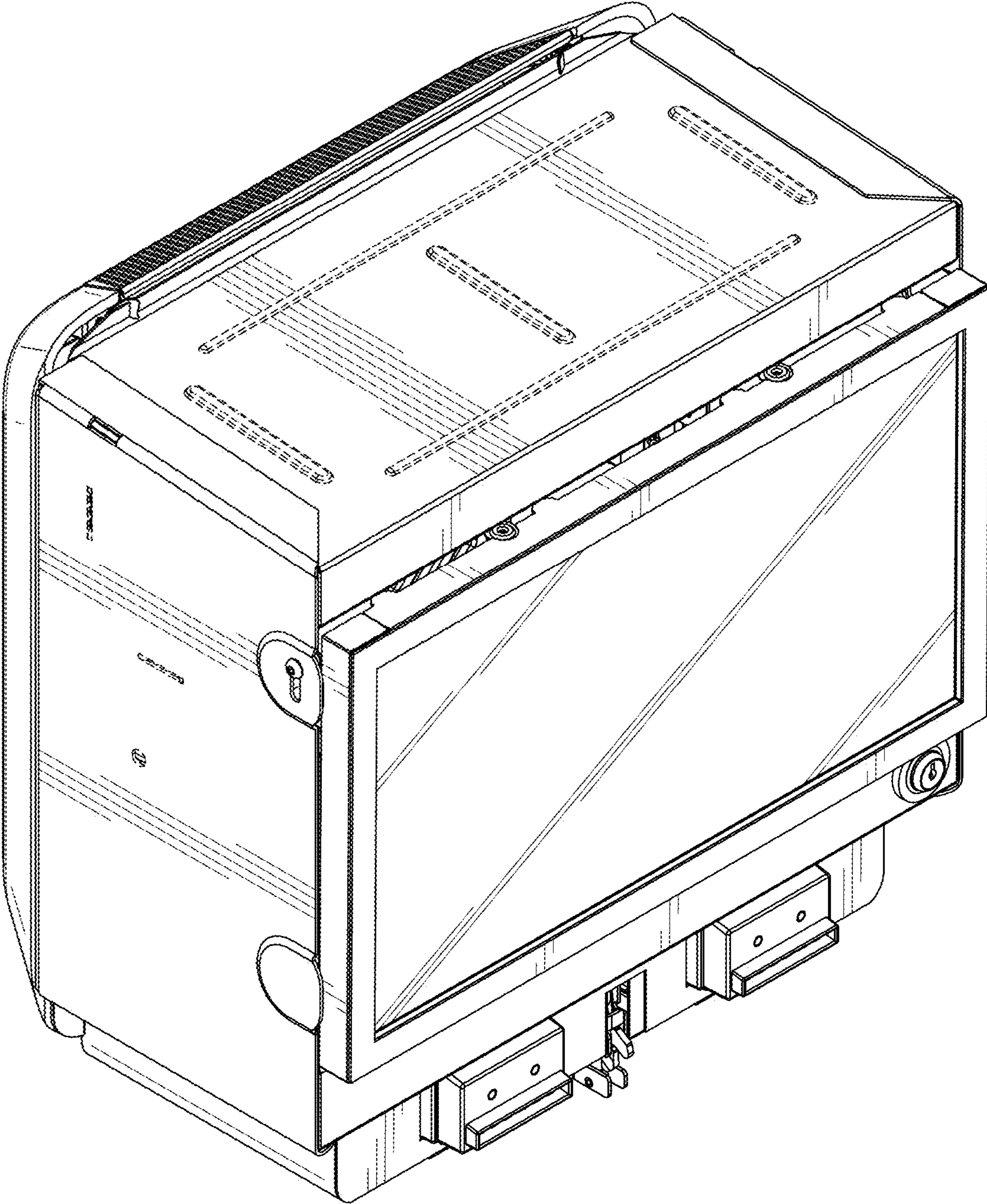


FIG. 2

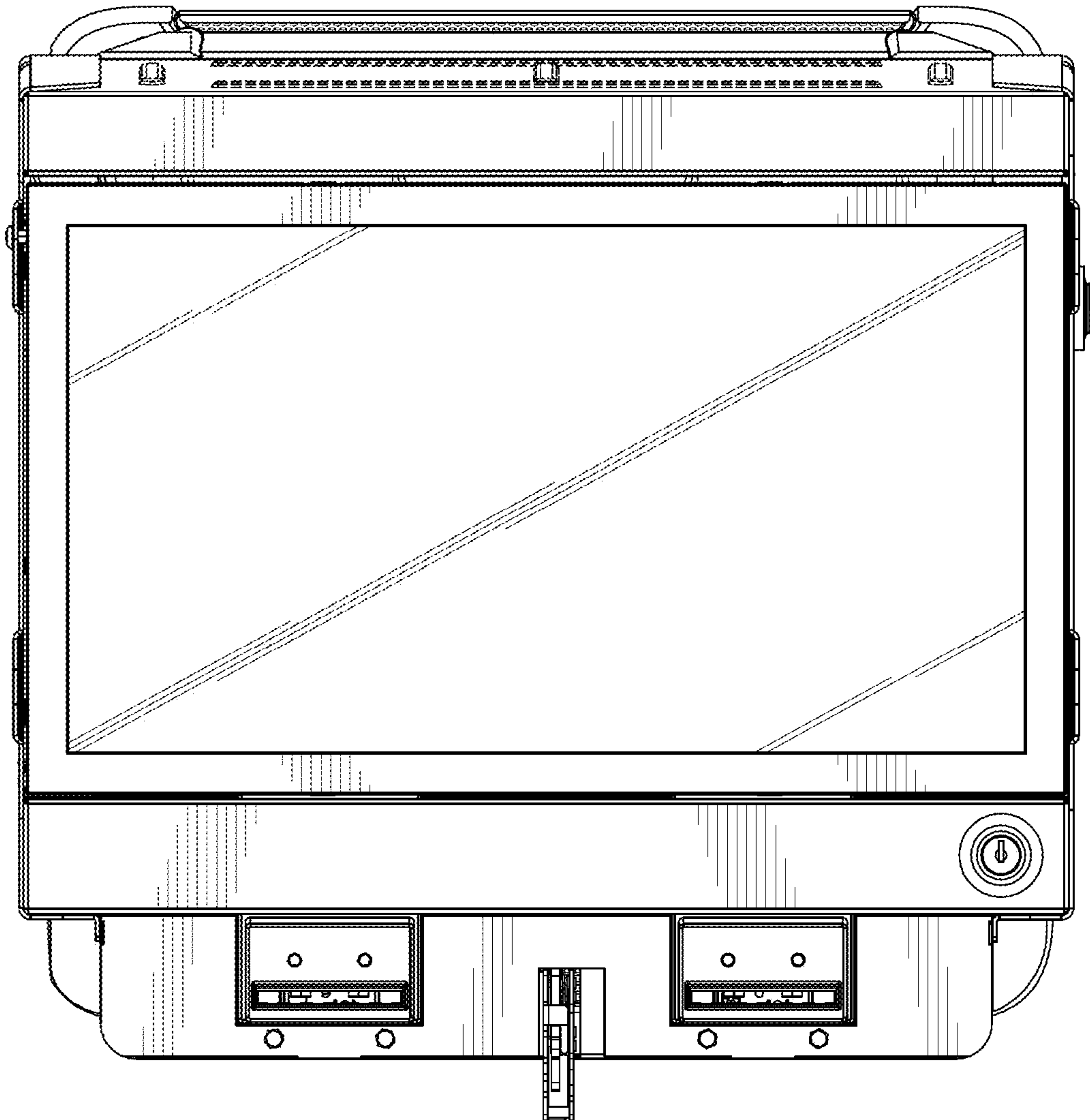


FIG. 3

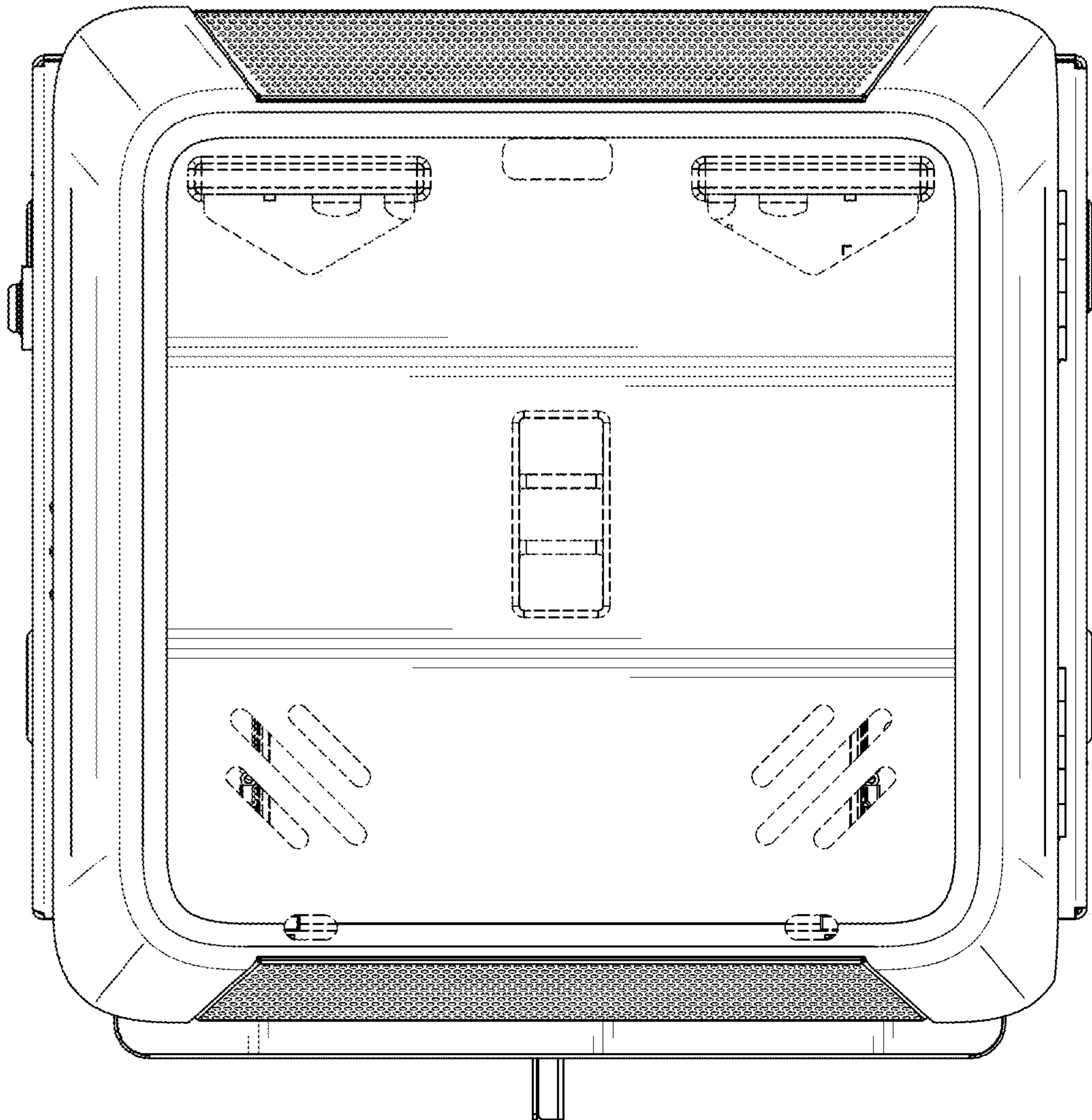


FIG. 4

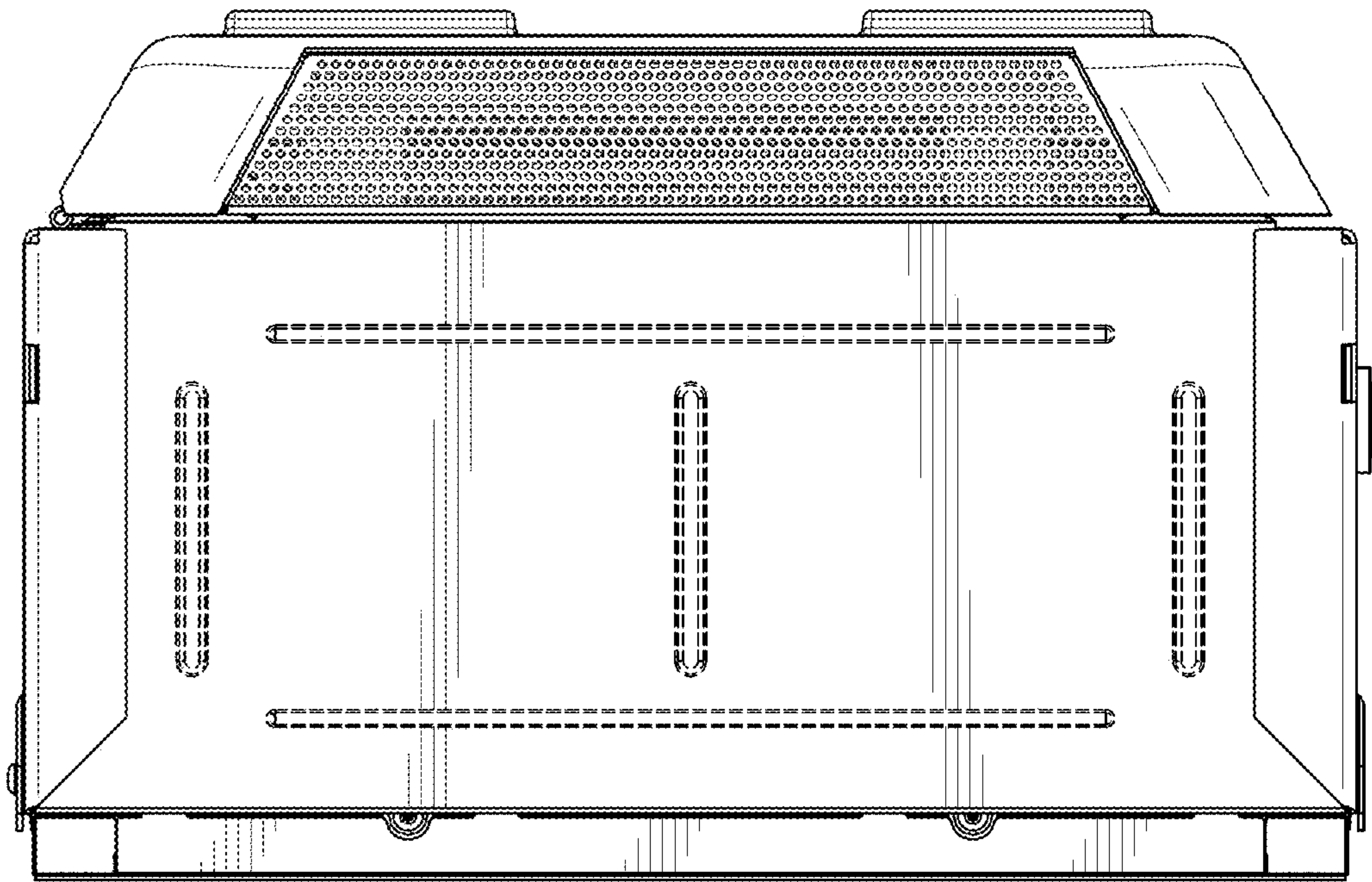


FIG. 5

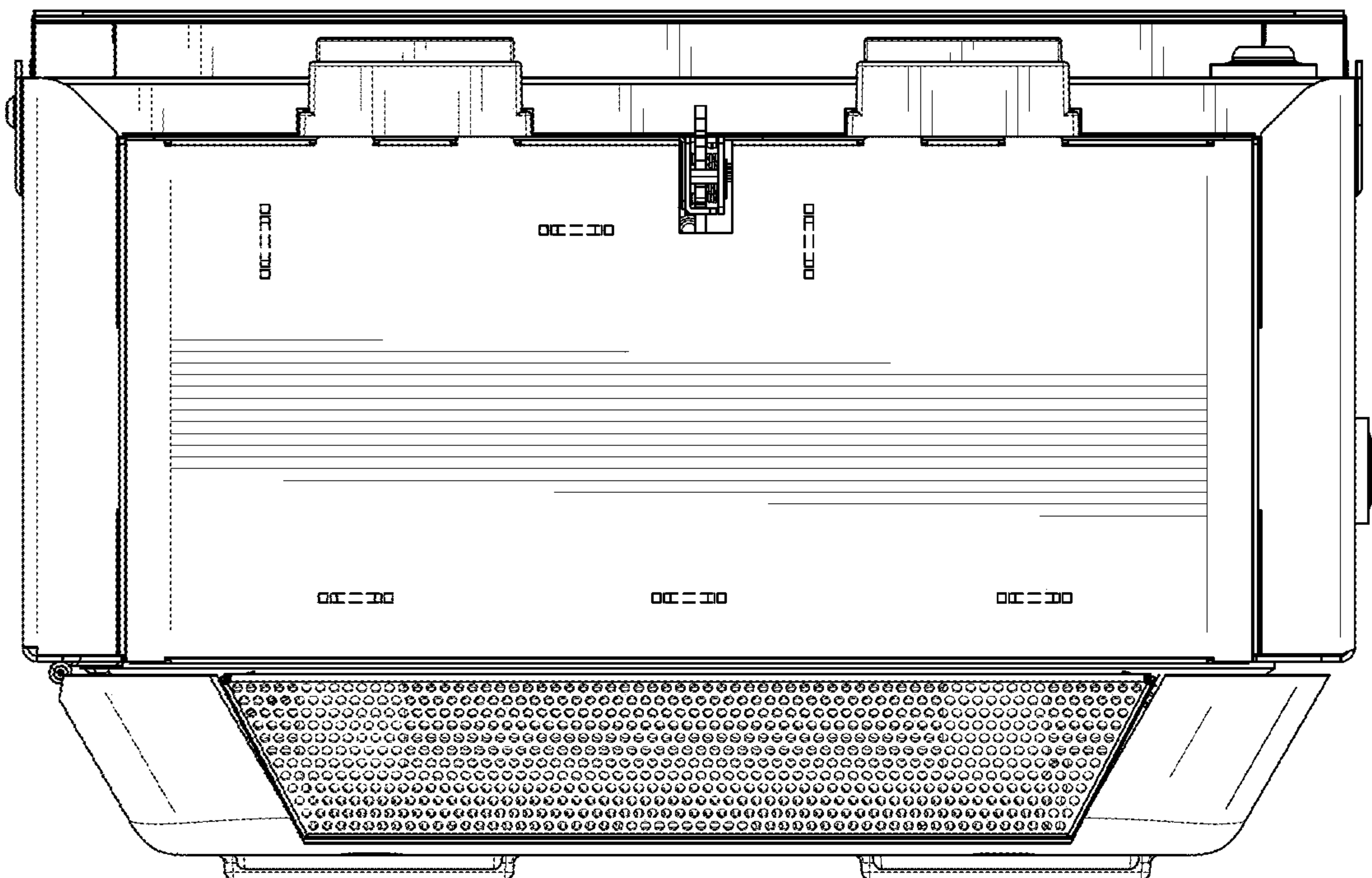


FIG. 6

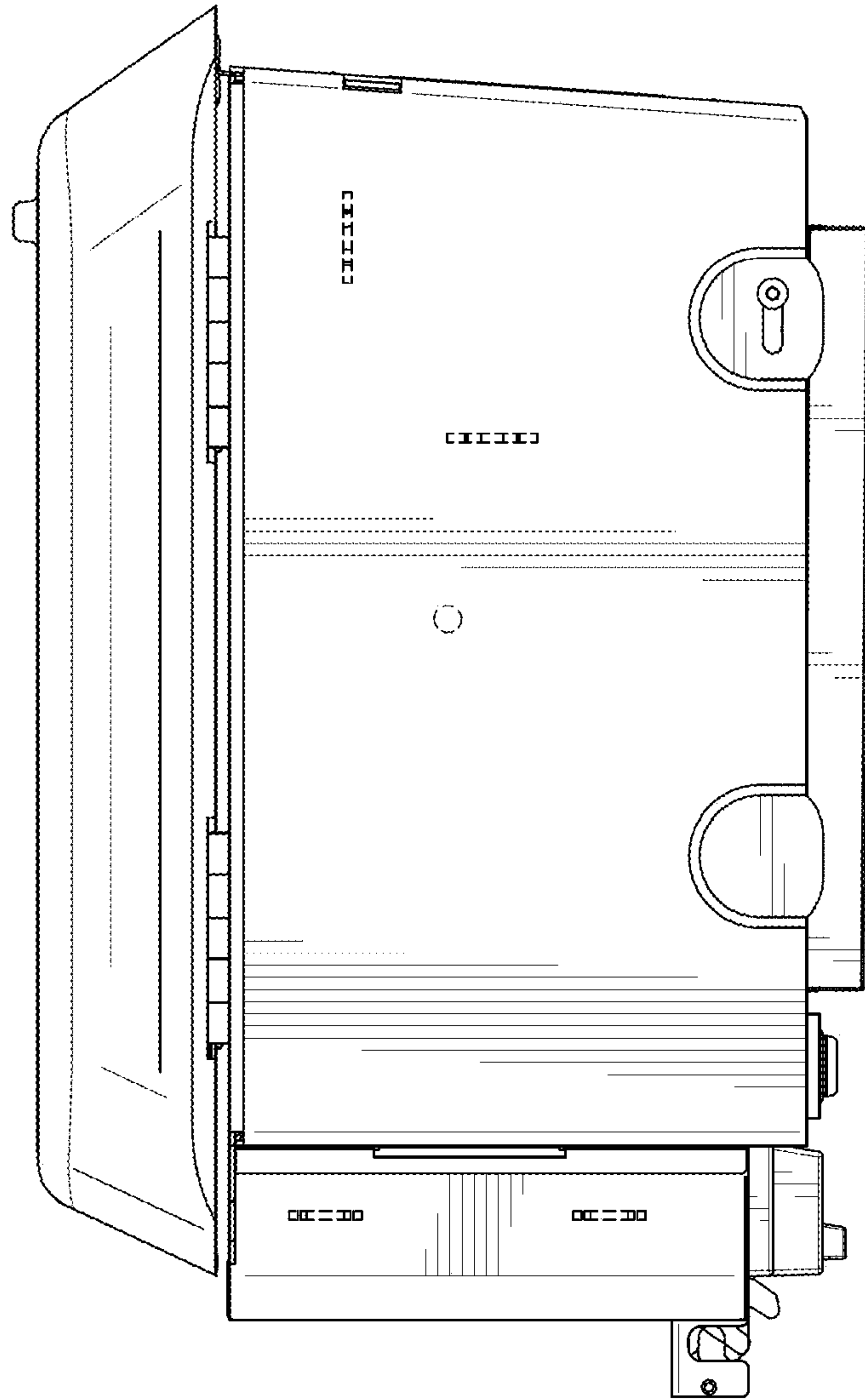


FIG. 7

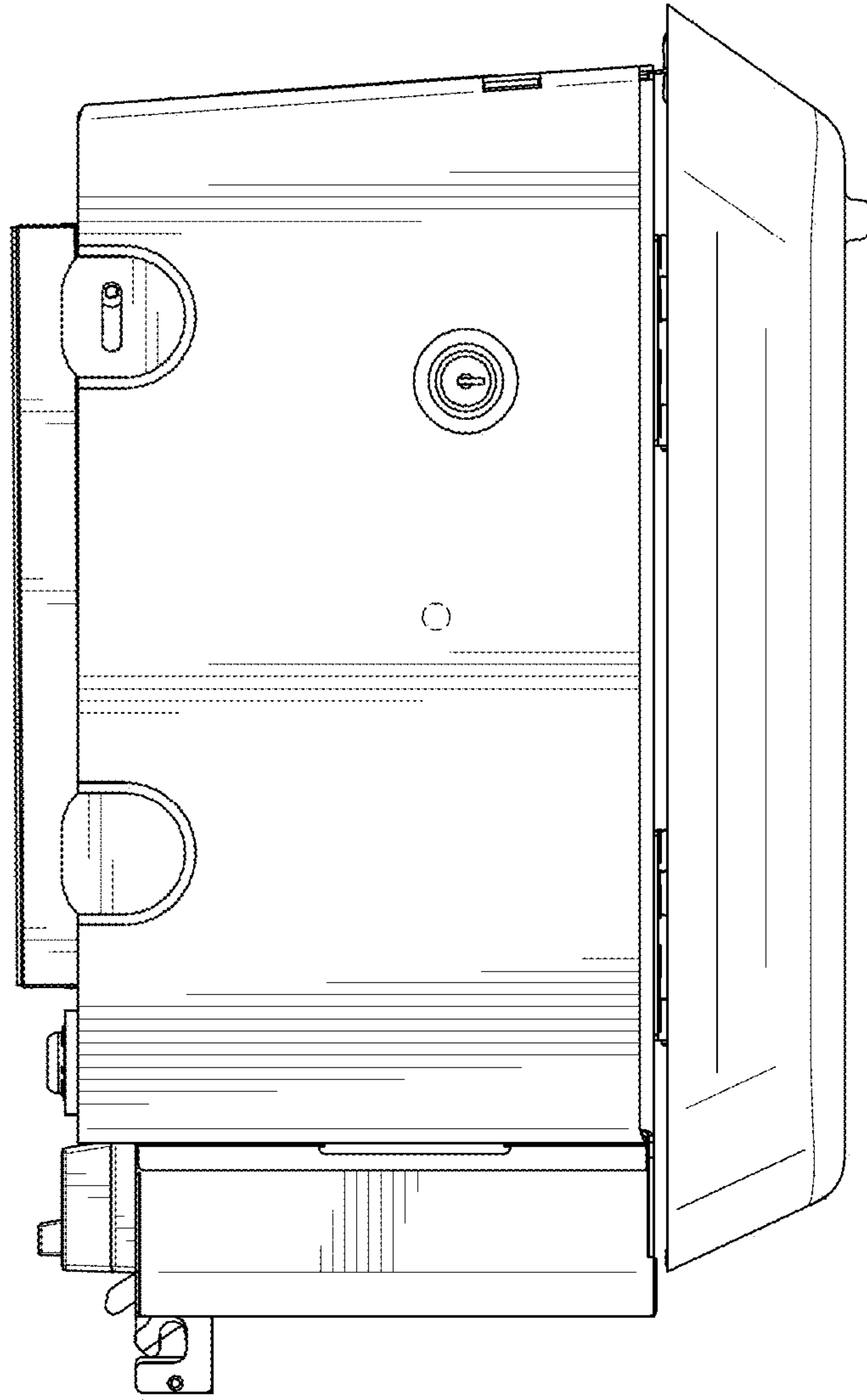


FIG. 8

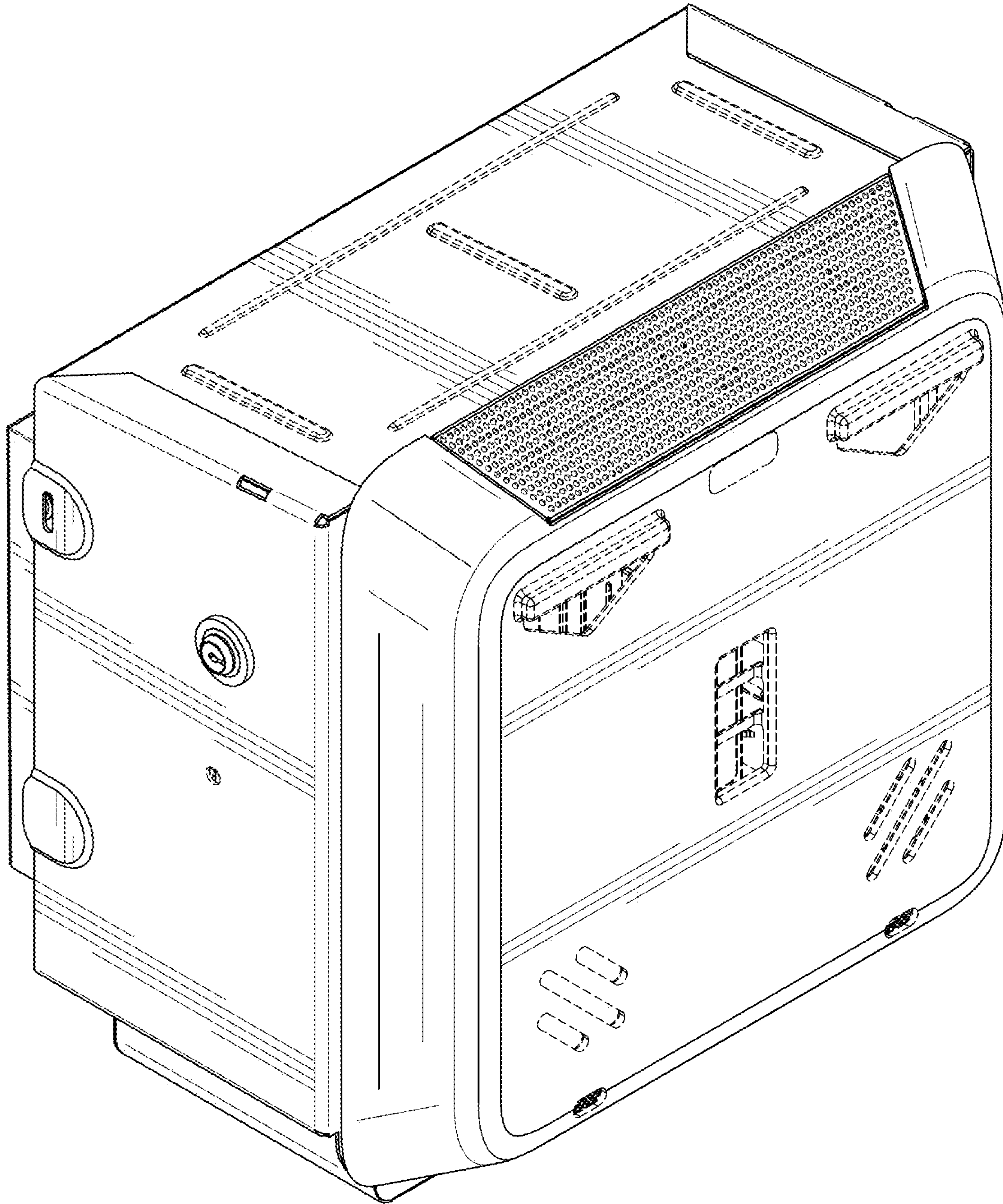


FIG. 9