



US00D989018S

(12) **United States Design Patent**
Kim et al.

(10) **Patent No.:** **US D989,018 S**
(45) **Date of Patent:** **** Jun. 13, 2023**

(54) **TELEVISION RECEIVER**

- (71) Applicant: **Samsung Electronics Co., Ltd.**,
Suwon-si (KR)
- (72) Inventors: **Eunah Kim**, Suwon-si (KR); **Chulyong Cho**, Suwon-si (KR); **Jihae Lim**,
Suwon-si (KR)
- (73) Assignee: **Samsung Electronics Co., Ltd.**,
Suwon-si (KR)
- (**) Term: **15 Years**
- (21) Appl. No.: **29/787,425**
- (22) Filed: **Jun. 7, 2021**

(30) **Foreign Application Priority Data**

- Dec. 8, 2020 (KR) 30-2020-0060334
- (51) **LOC (14) Cl.** **14-03**
- (52) **U.S. Cl.**
USPC **D14/126**
- (58) **Field of Classification Search**
USPC D14/125-135, 239, 371, 136, 374-377,
D14/440, 450, 448, 336, 342, 159, 251,
(Continued)

(56) **References Cited**

U.S. PATENT DOCUMENTS

- D700,586 S * 3/2014 Kim D14/126
 - D702,280 S * 4/2014 Go D16/241
- (Continued)

FOREIGN PATENT DOCUMENTS

- GB 8209265000-4000 * 6/2020
 - KR 30-2013-0000723 2/2014
- (Continued)

OTHER PUBLICATIONS

Design Milk, first available Mar. 15, 2021 [online], [retrieved Sep. 5, 2022]. Available from the Internet, URL: <https://design-milk.com/samsung-my-shelf-frames-the-television-as-decor/>. (Year: 2021).*

(Continued)

Primary Examiner — Dana K Weiland
Assistant Examiner — Russell Carnell Smith, Jr.
(74) *Attorney, Agent, or Firm* — NSIP Law

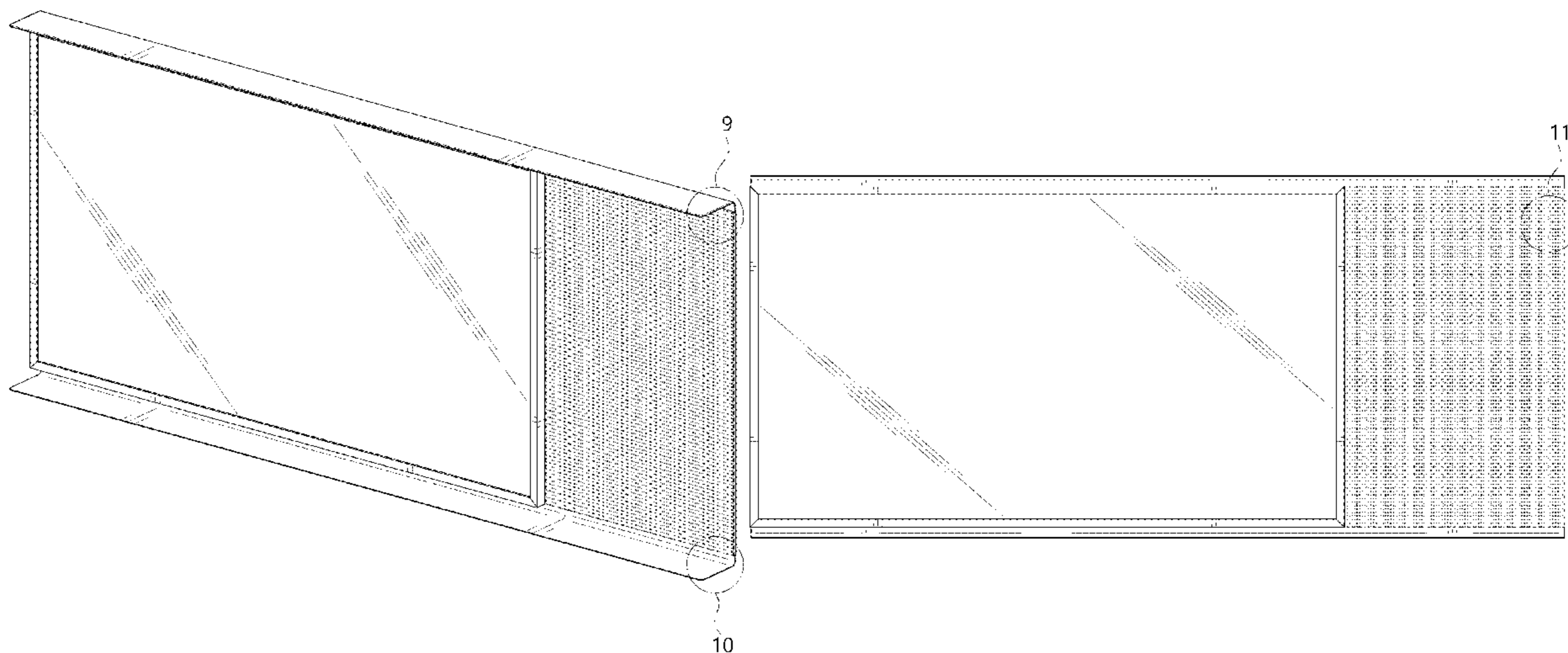
(57) **CLAIM**

We claim the ornamental design for a television receiver, as shown and described.

DESCRIPTION

FIG. 1 is a front perspective view of a television receiver showing our new design;
FIG. 2 is a front view thereof;
FIG. 3 is a rear view thereof;
FIG. 4 is a left-side view thereof;
FIG. 5 is a right-side view thereof;
FIG. 6 is a top view thereof;
FIG. 7 is a bottom view thereof;
FIG. 8 is a rear perspective view thereof;
FIG. 9 is an enlarged view of the encircled portion 9 in FIG. 1;
FIG. 10 is an enlarged view of the encircled portion 10 in FIG. 1; and,
FIG. 11 is an enlarged view of the encircled portion 11 in FIG. 2.
The evenly-dashed broken lines in the figures depict portions of the television receiver which form no part of the claimed design.
The dot-dash broken lines encircling portions of the claimed design that are illustrated in enlargements form no part of the claimed design.

1 Claim, 9 Drawing Sheets



US D989,018 S

Page 2

(58) **Field of Classification Search**

USPC D14/209.1, 238, 451; D6/328, 332;
D19/113, 114
CPC H04N 7/00; H04N 9/3141; H04N 13/0459;
H04N 17/04; H04N 17/004; H04N
21/43637; G06F 1/1601; G06F 1/1605;
G06F 1/162

See application file for complete search history.

(56)

References Cited

U.S. PATENT DOCUMENTS

D730,857 S * 6/2015 Park D14/126
D769,203 S * 10/2016 Ann D14/126
D816,630 S * 5/2018 Lee D14/126
D848,963 S * 5/2019 Kim D14/126
D856,292 S * 8/2019 Lim D14/126
D896,194 S * 9/2020 Kim D14/126
D900,046 S * 10/2020 Jung D14/126

D916,041 S * 4/2021 Wang D14/125
D923,595 S * 6/2021 Jeong D14/126
D946,544 S * 3/2022 Jang B64D 11/00154
D14/126
D961,537 S * 8/2022 Lim D14/129
2022/0068170 A1 * 3/2022 Han G06F 1/1652

FOREIGN PATENT DOCUMENTS

KR 30-2014-0000757 9/2014
KR 30-2013-0032392 1/2017
KR 30-2016-0037911 2/2017

OTHER PUBLICATIONS

The Frame QLED, first available May 9, 2021 [online], [retrieved
Sep. 1, 2022]. Available from the Internet, URL:<<https://a.co/d/cqpIDC3>>. (Year: 2021).*

* cited by examiner

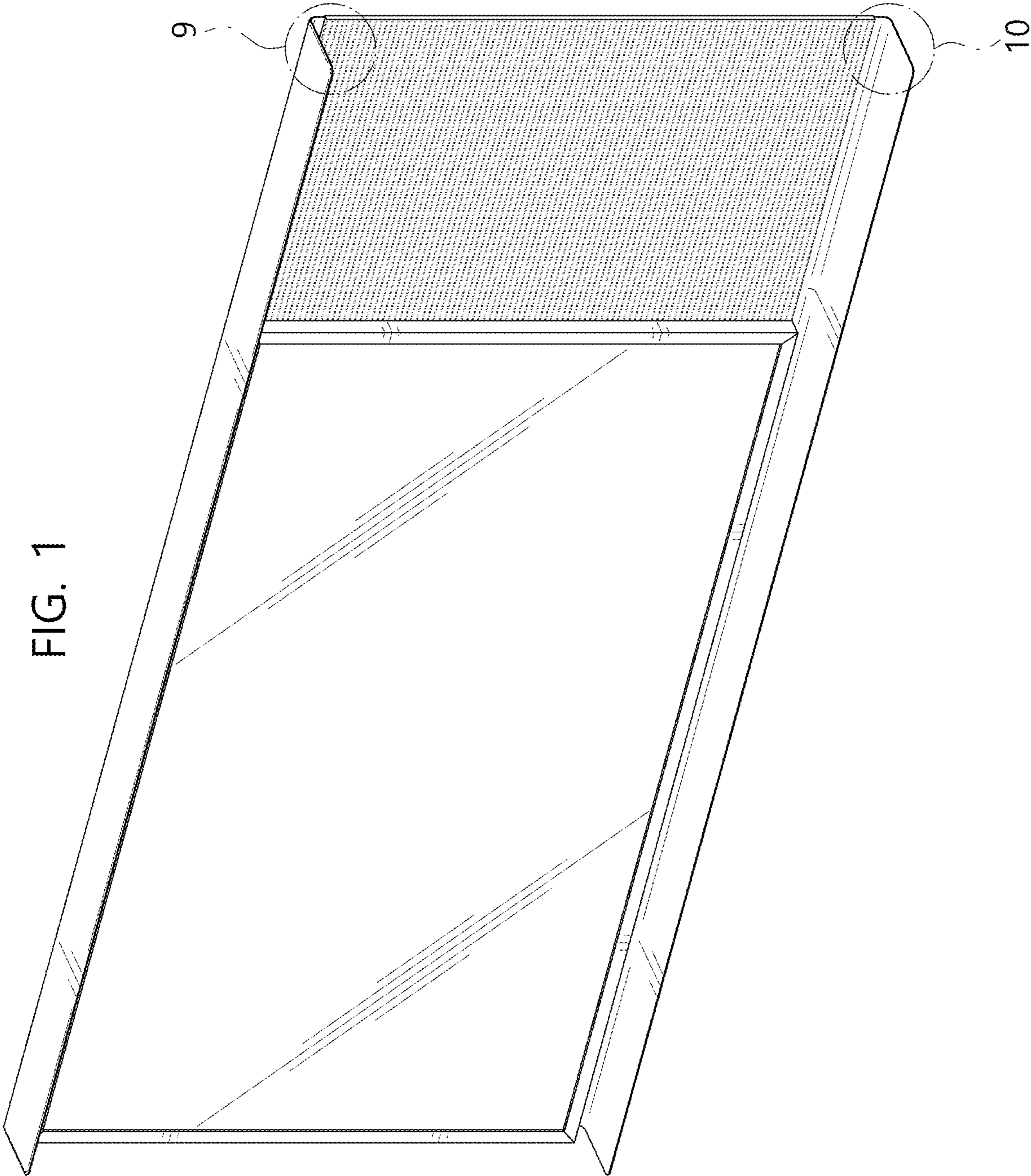


FIG. 1

FIG. 2

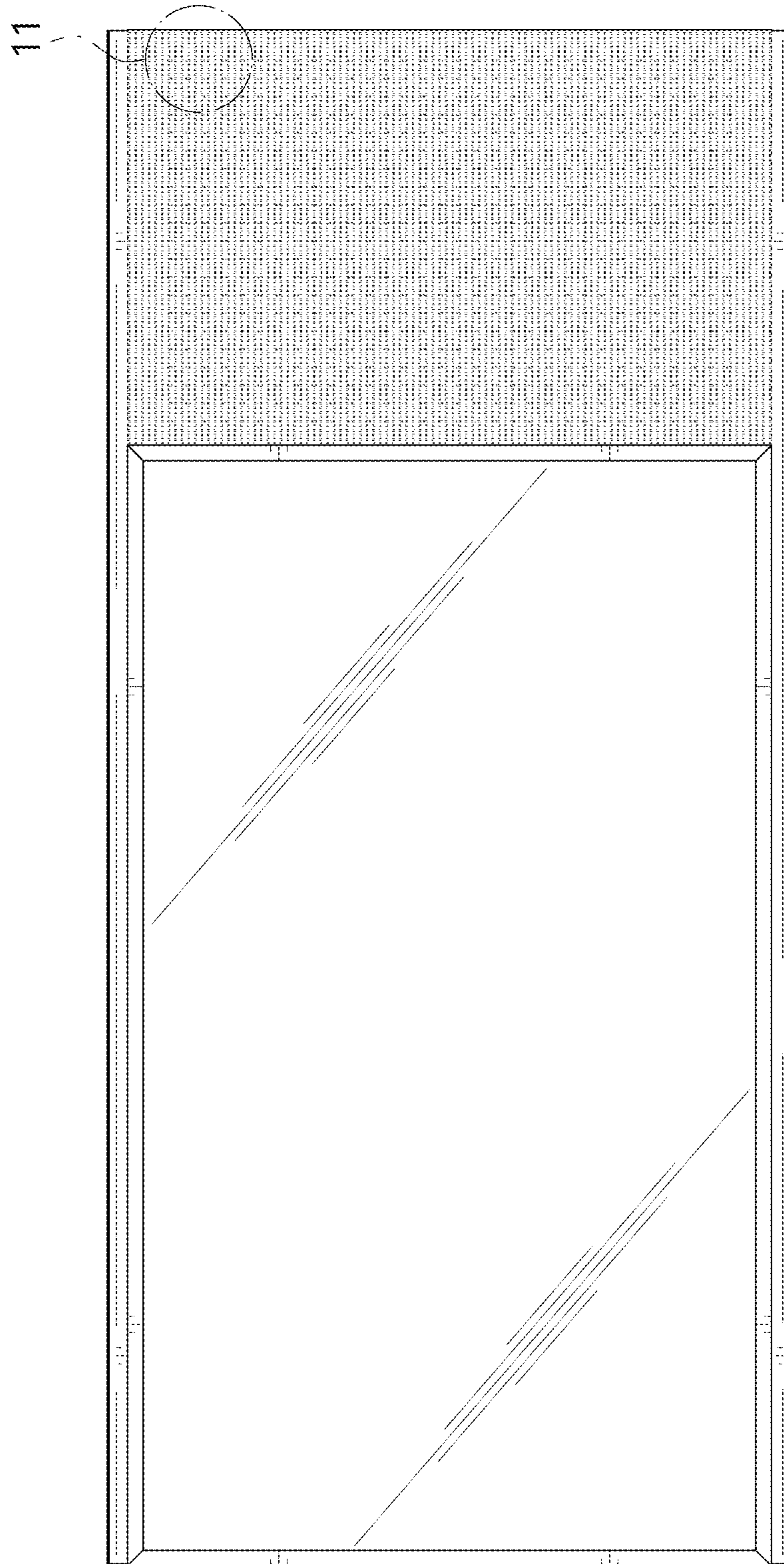


FIG. 3

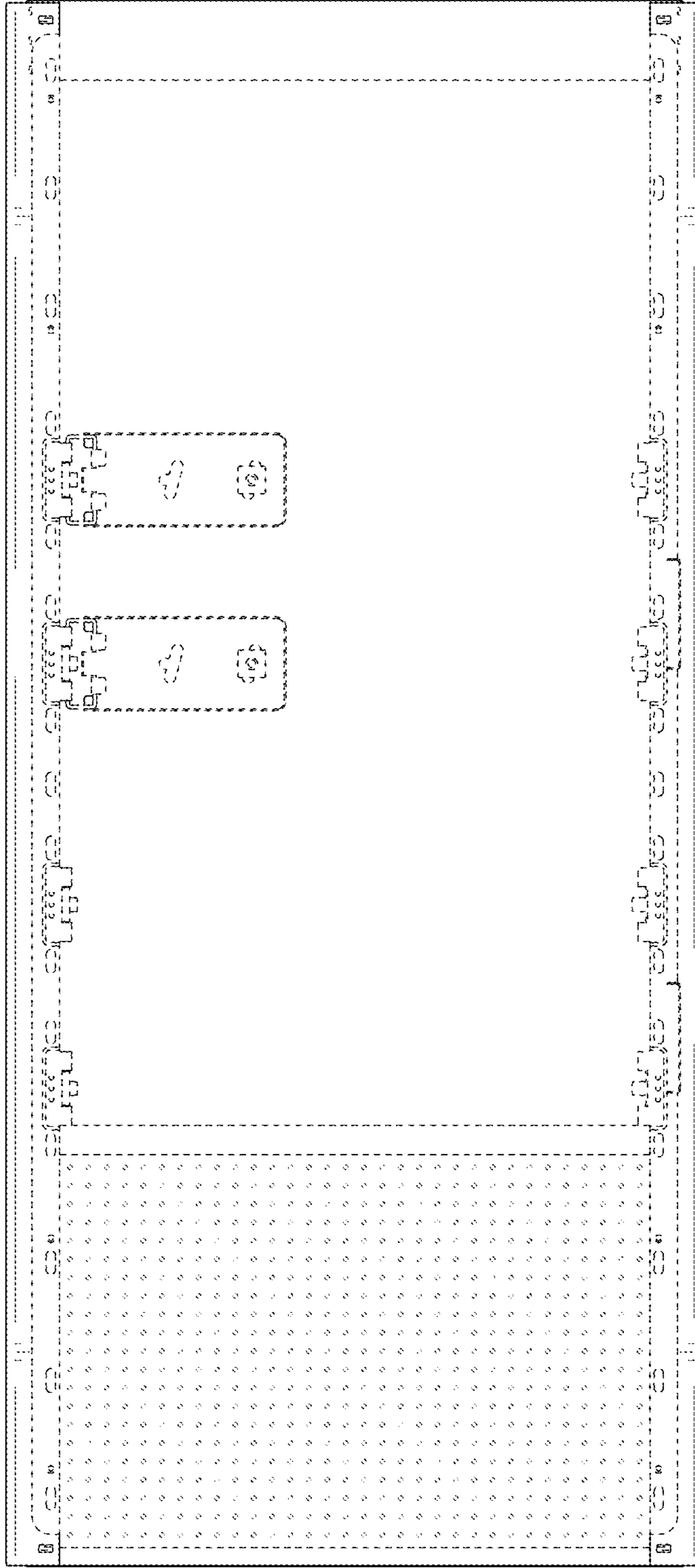


FIG. 5

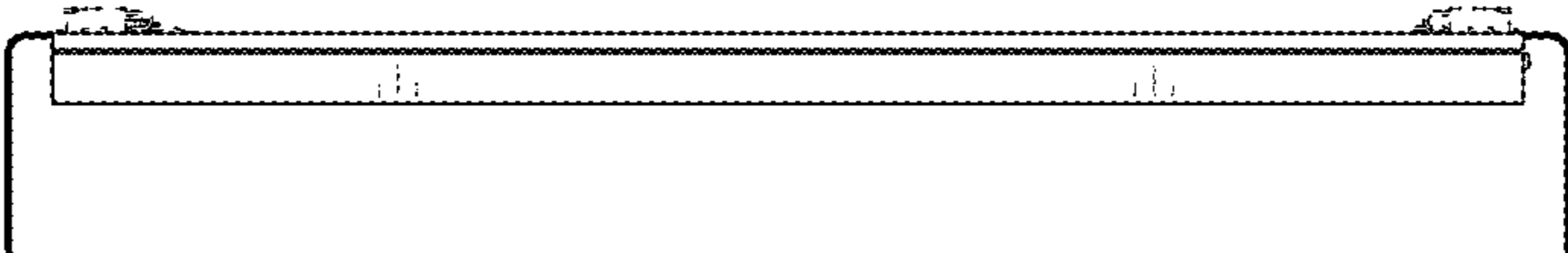


FIG. 4

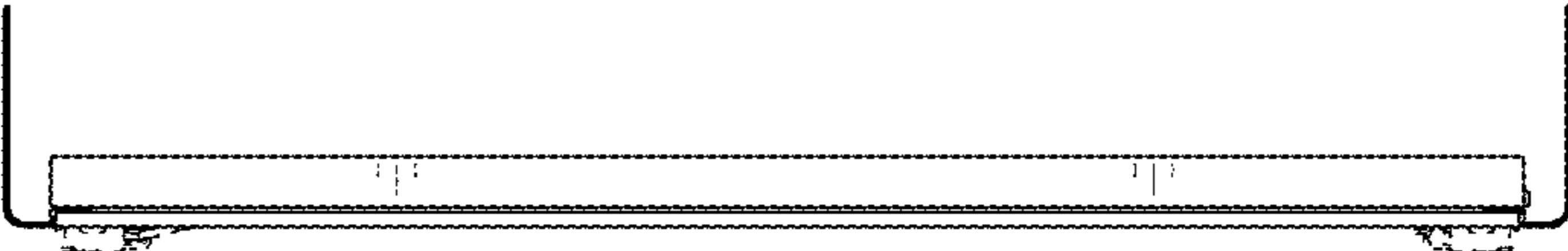


FIG. 6

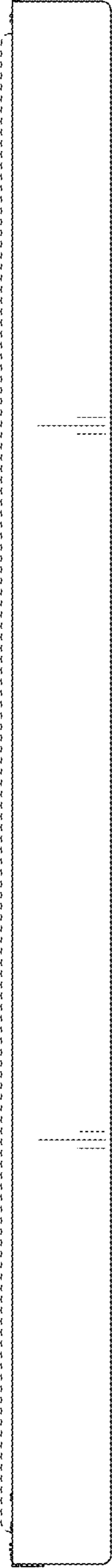


FIG. 7

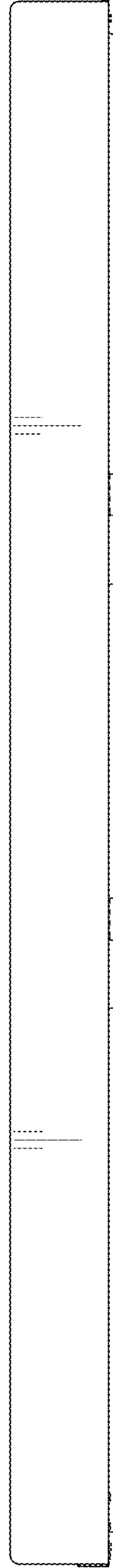


FIG. 8

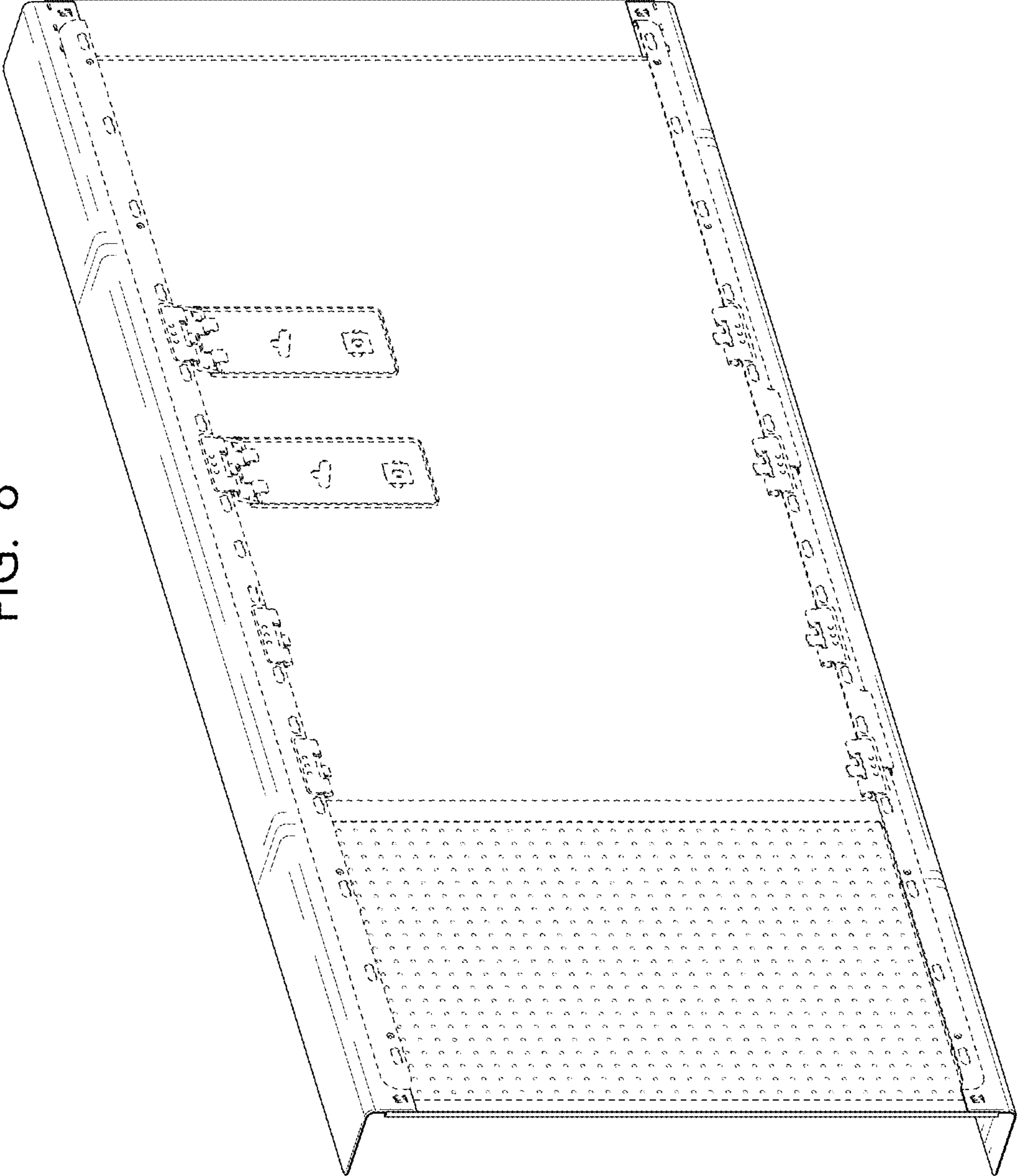


FIG. 9

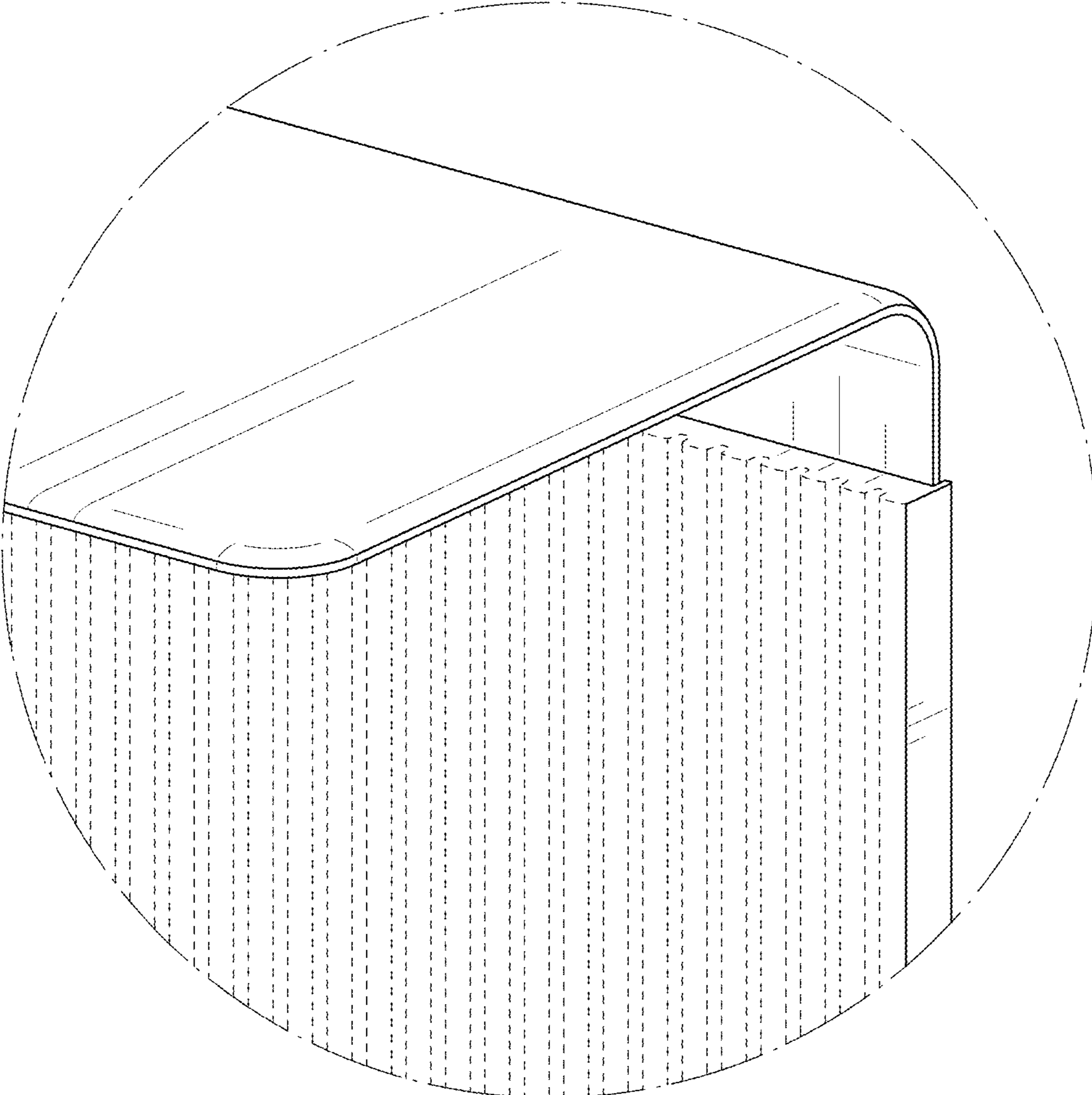


FIG. 10

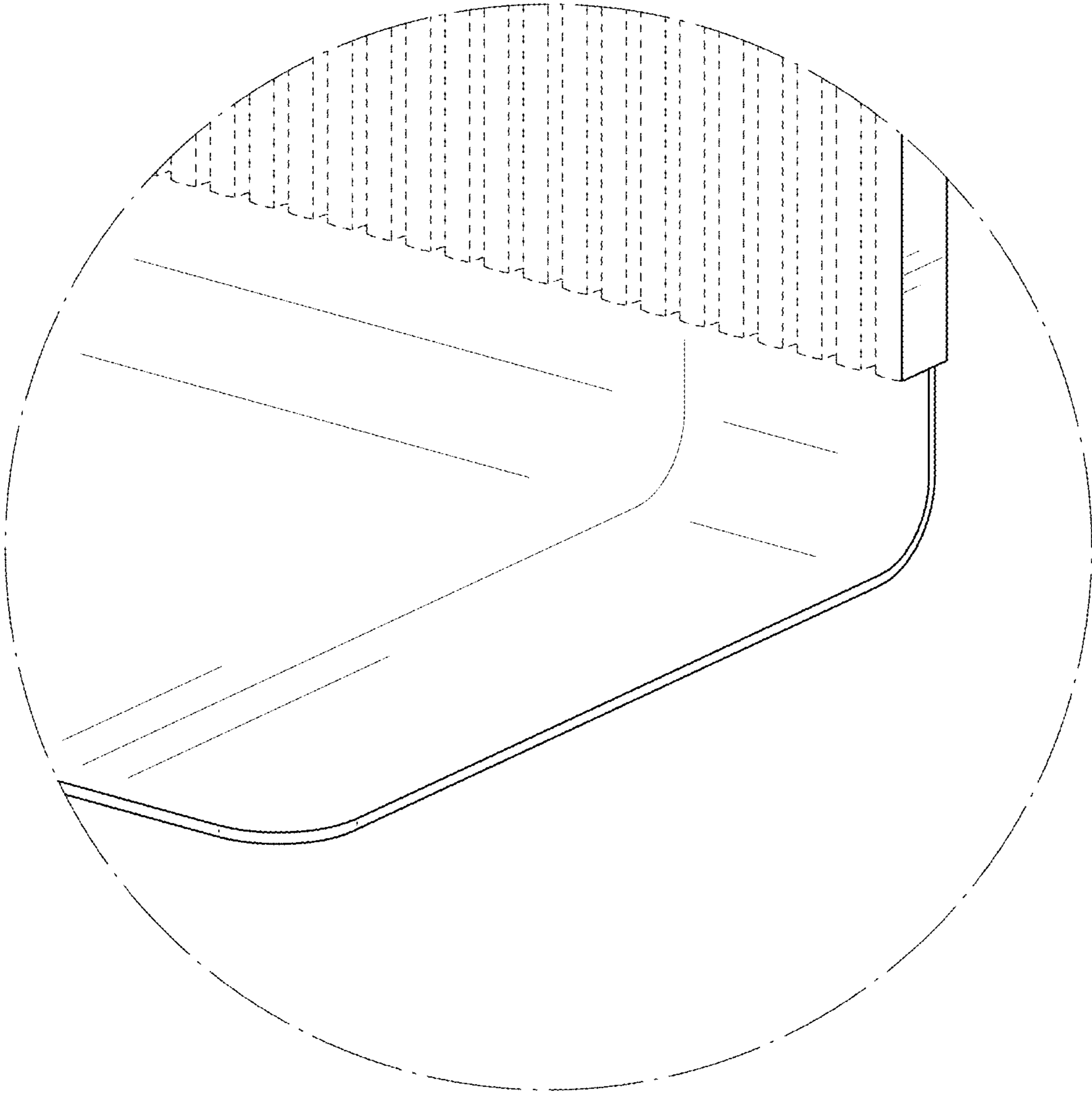


FIG. 11

