



US00D989016S

(12) **United States Design Patent**
Yoo et al.

(10) **Patent No.:** **US D989,016 S**
(45) **Date of Patent:** **** Jun. 13, 2023**

- (54) **TELEVISION RECEIVER**
- (71) Applicant: **Samsung Electronics Co., Ltd.**,
Suwon-si (KR)
- (72) Inventors: **Jae-Wook Yoo**, Suwon-si (KR); **Sin-Wi Moon**,
Suwon-si (KR); **Dae-Hun Jung**, Suwon-si (KR); **Byung-Min Woo**,
Suwon-si (KR); **Dong-Wook Kim**, Suwon-si (KR); **Jee-Won Kim**,
Suwon-si (KR)
- (73) Assignee: **Samsung Electronics Co., Ltd.**,
Suwon-si (KR)
- (**) Term: **15 Years**
- (21) Appl. No.: **29/785,803**
- (22) Filed: **May 27, 2021**
- (30) **Foreign Application Priority Data**

- Dec. 3, 2020 (KR) 30-2020-0059424
- (51) **LOC (14) Cl.** **14-03**
- (52) **U.S. Cl.**
USPC **D14/126**
- (58) **Field of Classification Search**
USPC D14/125-135, 239, 371, 136, 374-377,
D14/440, 450, 448, 336, 342, 159, 251,
(Continued)

(56) **References Cited**

U.S. PATENT DOCUMENTS

- D701,855 S * 4/2014 Kumano D14/239
 - D726,135 S * 4/2015 Takechi D14/126
- (Continued)

FOREIGN PATENT DOCUMENTS

- EM 002318253-0001 10/2013
 - GB 8201596000-5000 * 2/2019
- (Continued)

OTHER PUBLICATIONS

The Frame QLED, first available May 9, 2021 [online], [retrieved Sep. 1, 2022]. Available from the Internet, URL:<<https://a.co/d/cqpIDC3>>. (Year: 2021).*

Primary Examiner — Dana K Weiland
Assistant Examiner — Russell Carnell Smith, Jr.
(74) *Attorney, Agent, or Firm* — NSIP Law

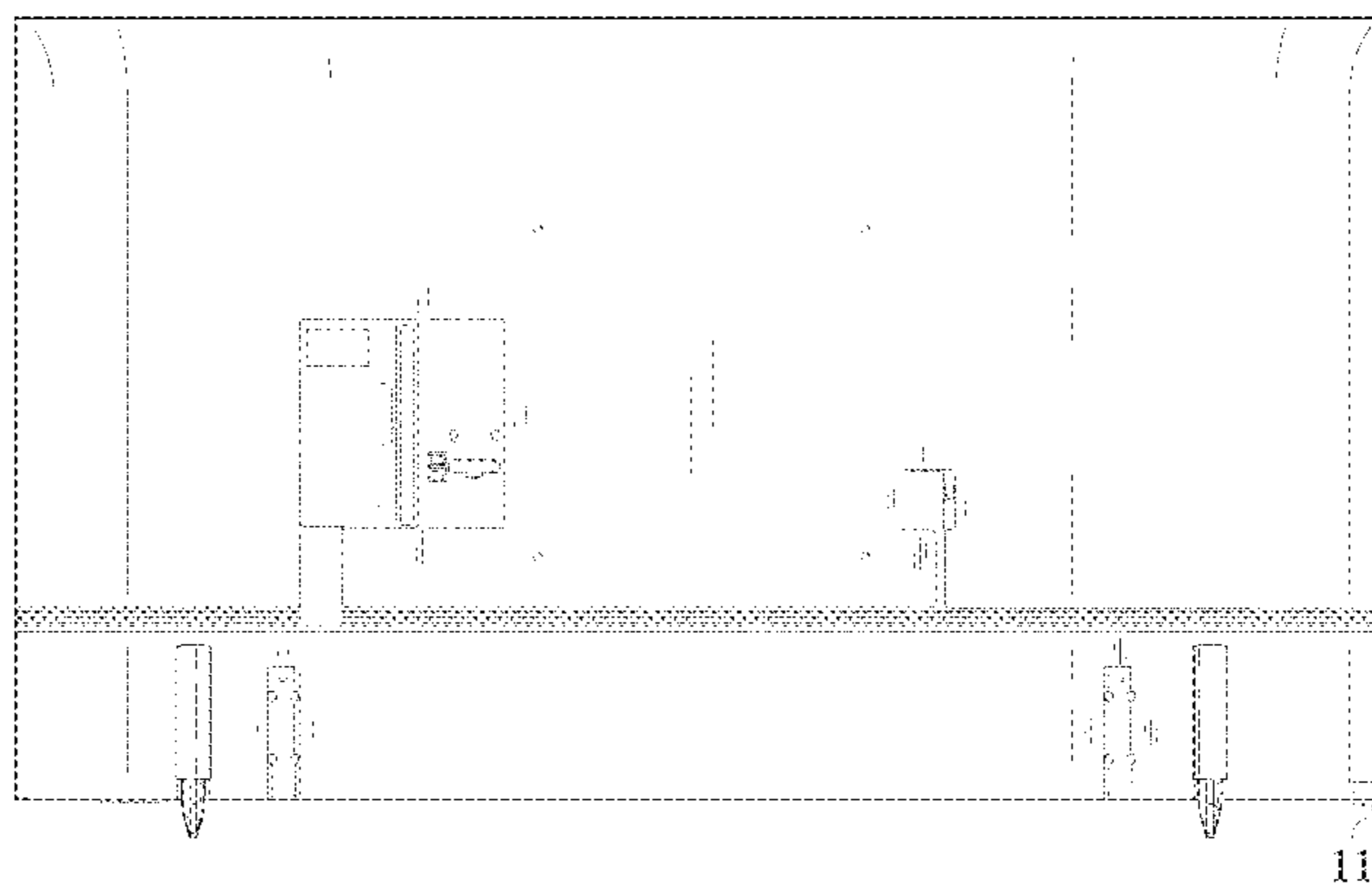
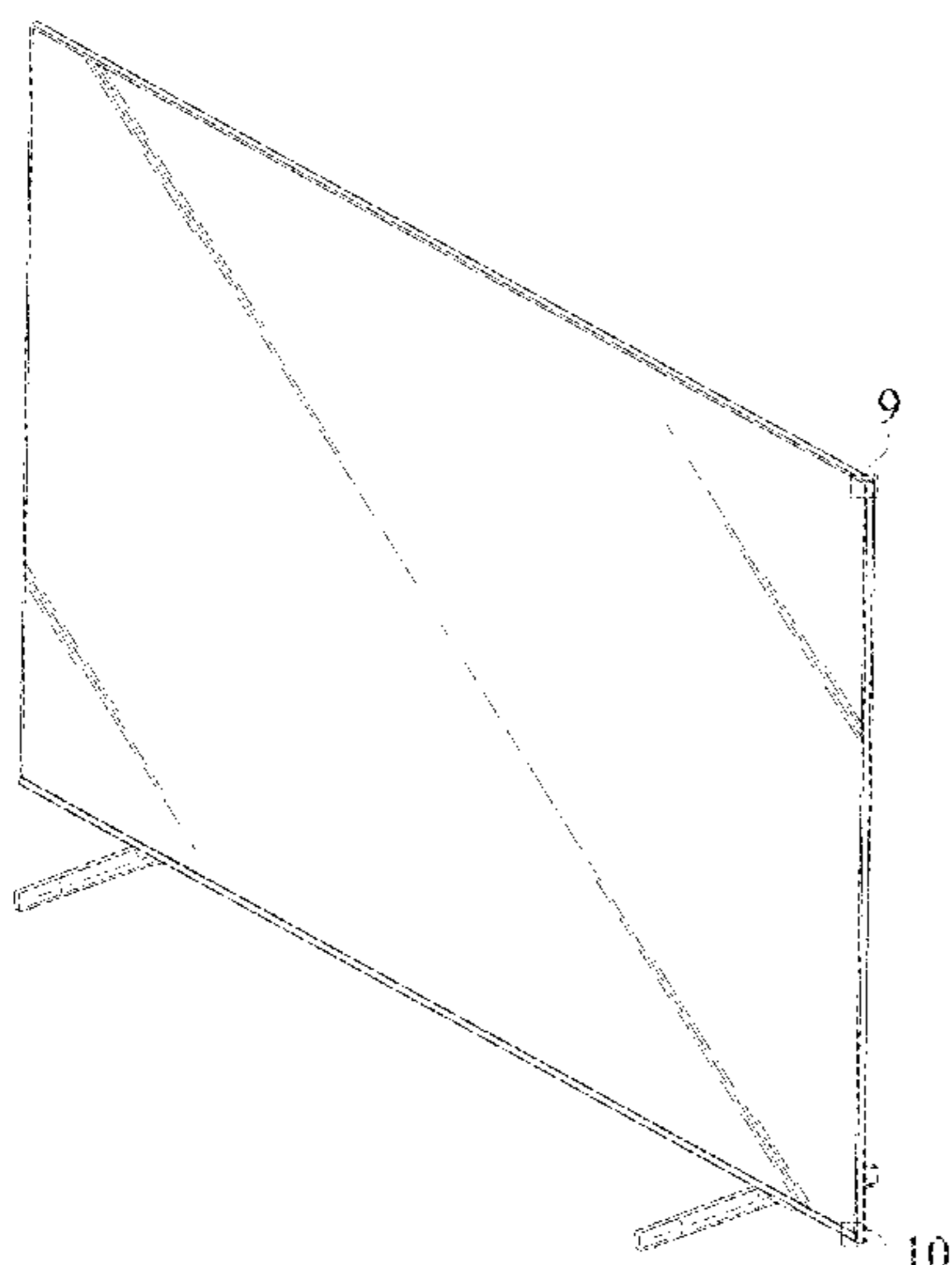
(57) **CLAIM**

We claim the ornamental design for a television receiver, as shown and described.

DESCRIPTION

FIG. 1 is a front perspective view of a television receiver showing our new design;
 FIG. 2 is a front view thereof;
 FIG. 3 is a rear view thereof;
 FIG. 4 is a left-side view thereof;
 FIG. 5 is a right-side view thereof;
 FIG. 6 is a top view thereof;
 FIG. 7 is a bottom view thereof;
 FIG. 8 is a rear perspective view thereof;
 FIG. 9 is an enlarged view of the encircled portion 9 in FIG. 1;
 FIG. 10 is an enlarged view of the encircled portion 10 in FIG. 1;
 FIG. 11 is an enlarged view of the encircled portion in FIG. 3;
 FIG. 12 is an enlarged view of the encircled portion in FIG. 4;
 FIG. 13 is an enlarged view of the encircled portion in FIG. 6;
 FIG. 14 is another front view showing a state in which the television receiver is raised; and,
 FIG. 15 is another front view showing a state in which the legs of the television receiver are more narrowly apart.
 The evenly-dashed broken lines in the figures depict portions of the television receiver which form no part of the claimed design.
 The dot-dash broken lines encircling portions of the claimed design that are illustrated in enlargements form no part of the claimed design.

1 Claim, 15 Drawing Sheets



11

(58) **Field of Classification Search**

USPC D14/209.1, 238, 451; D6/328, 332;
D19/113, 114
CPC H04N 7/00; H04N 9/3141; H04N 13/0459;
H04N 17/04; H04N 17/004; H04N
21/43637; G06F 1/1601; G06F 1/1605;
G06F 1/162

See application file for complete search history.

(56) **References Cited**

U.S. PATENT DOCUMENTS

D795,851 S *	8/2017	Kim	D14/126
D817,902 S *	5/2018	Lee	D14/126
D827,601 S *	9/2018	Kim	D14/126
D841,609 S *	2/2019	Kim	D14/126
D865,730 S *	11/2019	Seong	D14/126
D886,111 S *	6/2020	Kim	D14/451
D894,856 S *	9/2020	Kim	D14/125
D958,124 S *	7/2022	Choi	D14/126

FOREIGN PATENT DOCUMENTS

GB	8201596000-6000	*	2/2019
GB	8209265000-2000	*	6/2020
KR	30-2012-0041582		9/2013
KR	30-2015-0005918		8/2015
KR	30-2016-0042815		6/2017
KR	30-2018-0000585		11/2018
KR	301080637.0000	*	10/2020

* cited by examiner

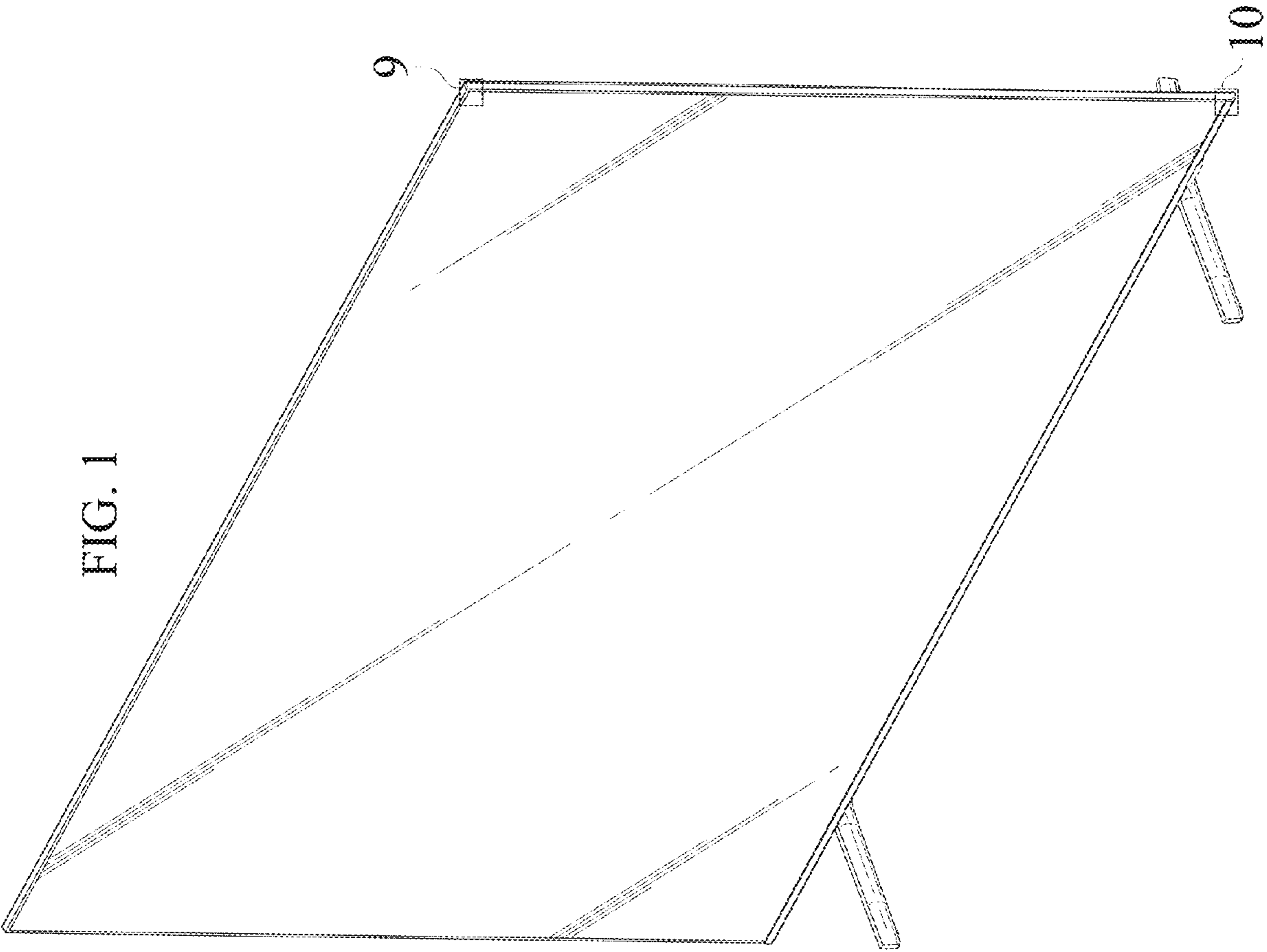


FIG. 1

FIG. 2

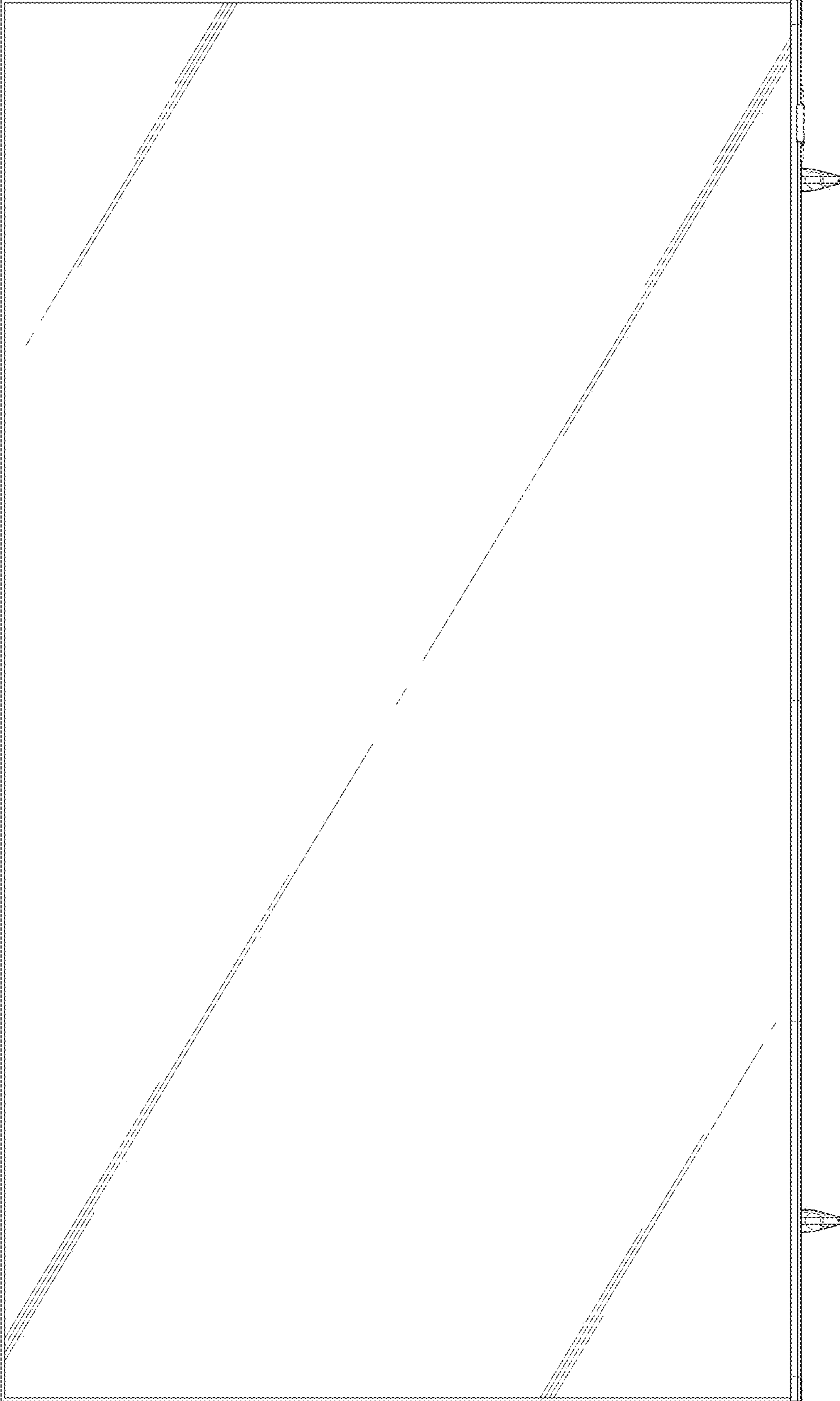


FIG. 3

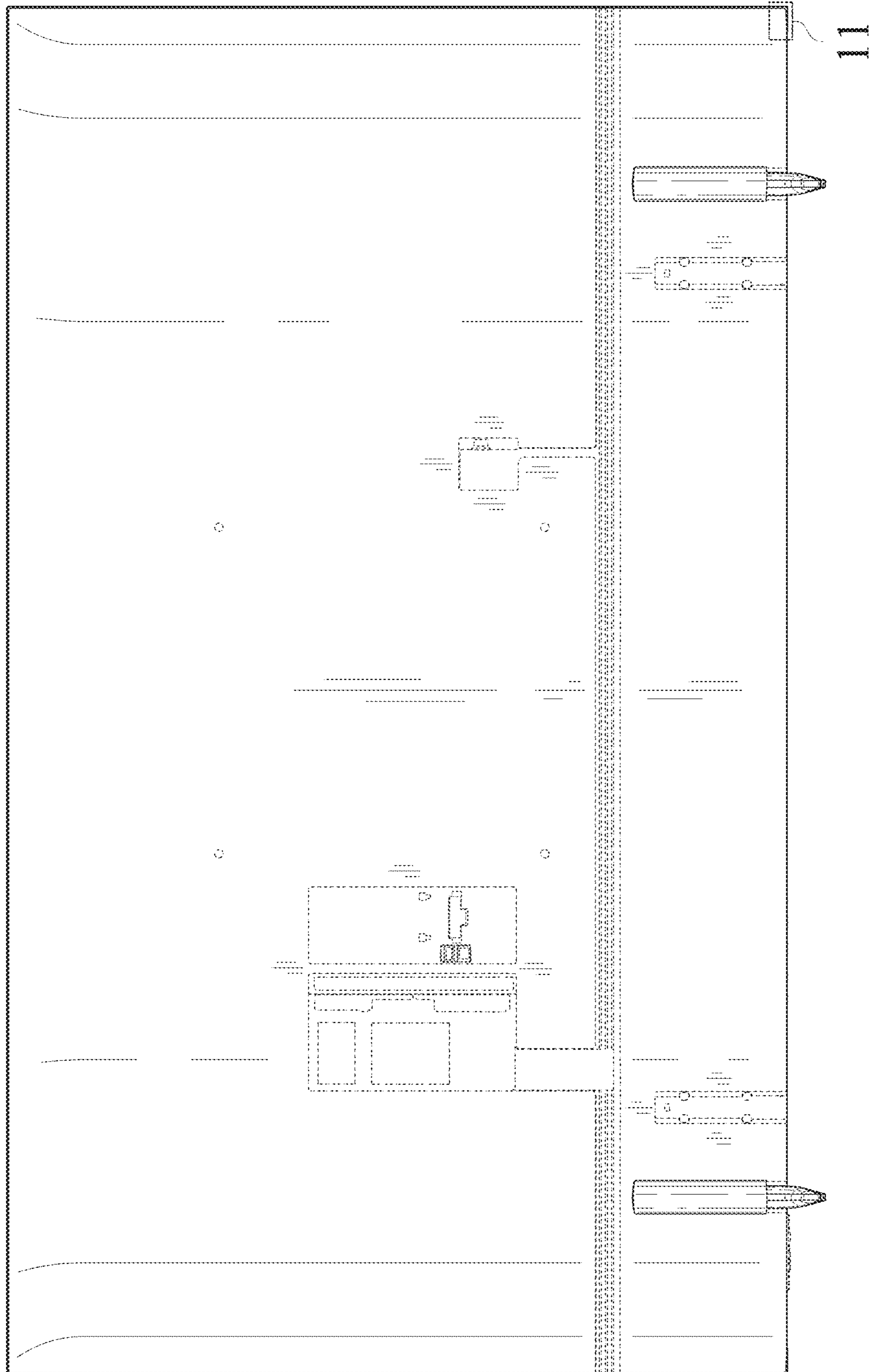


FIG. 4



FIG. 5

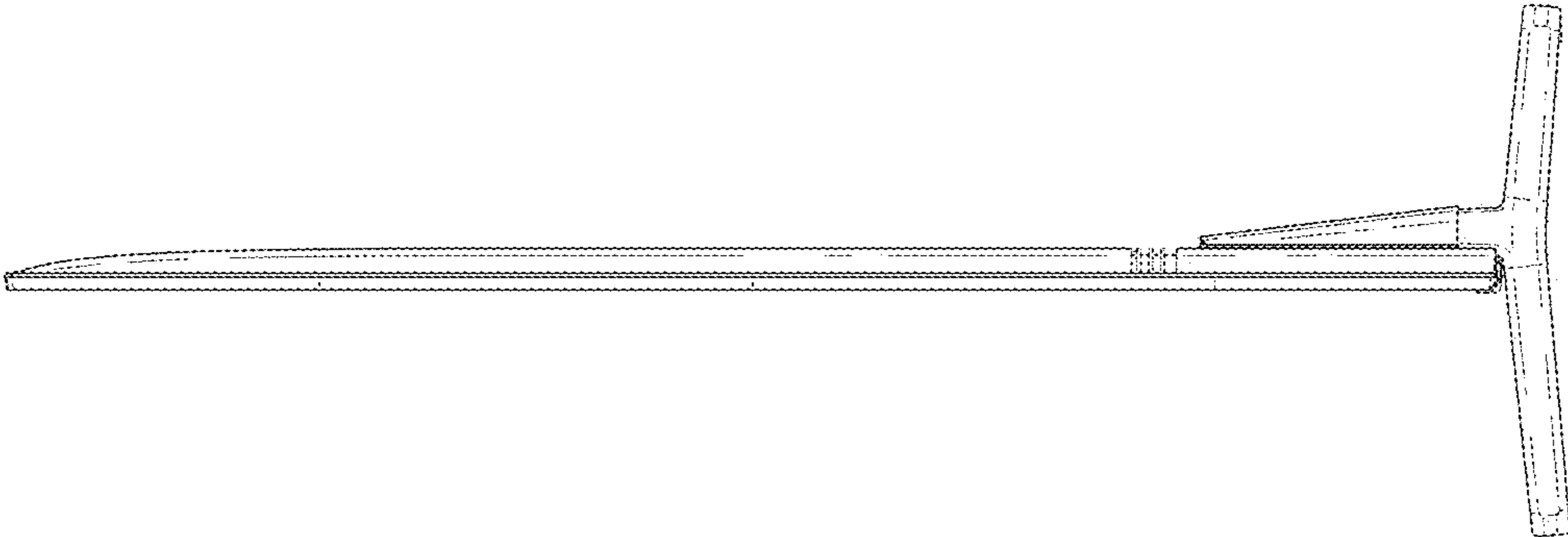


FIG. 6

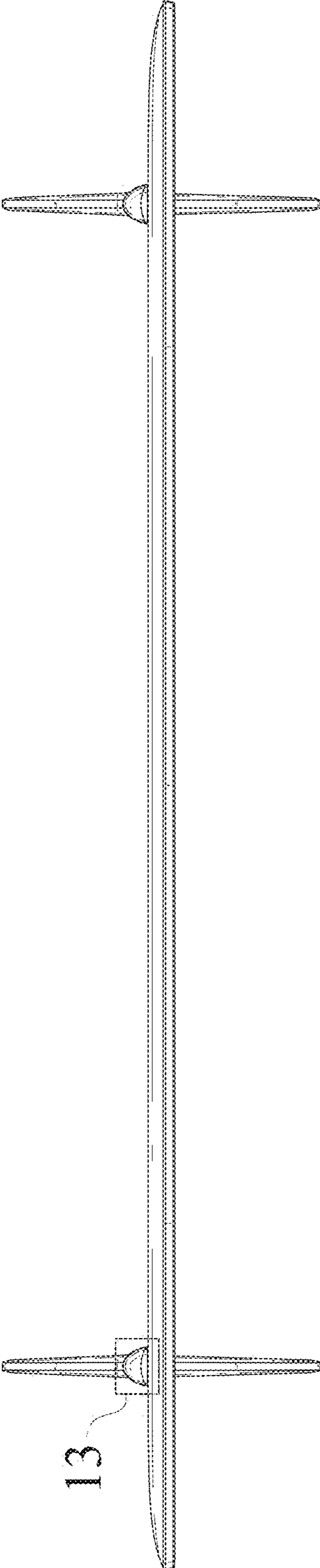


FIG. 7

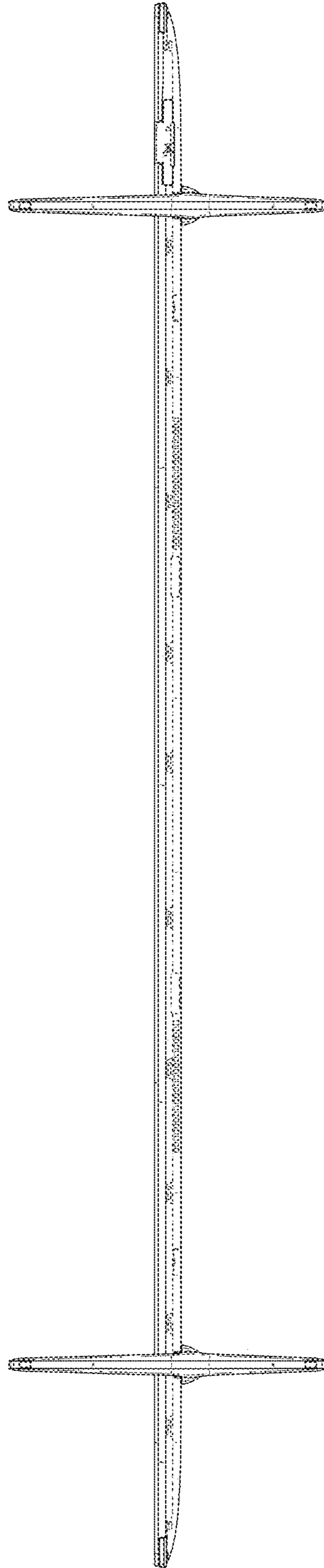


FIG. 8

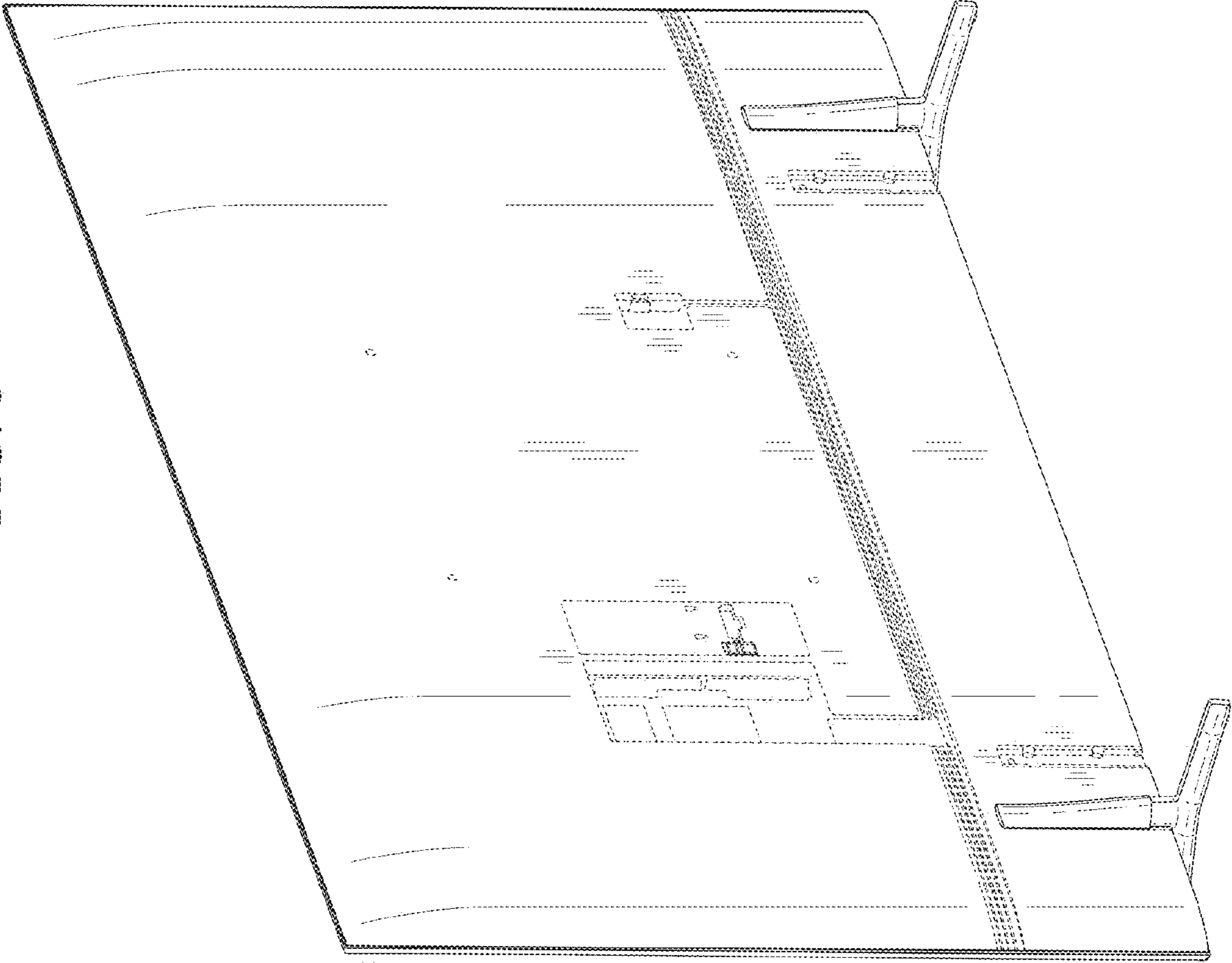


FIG. 9

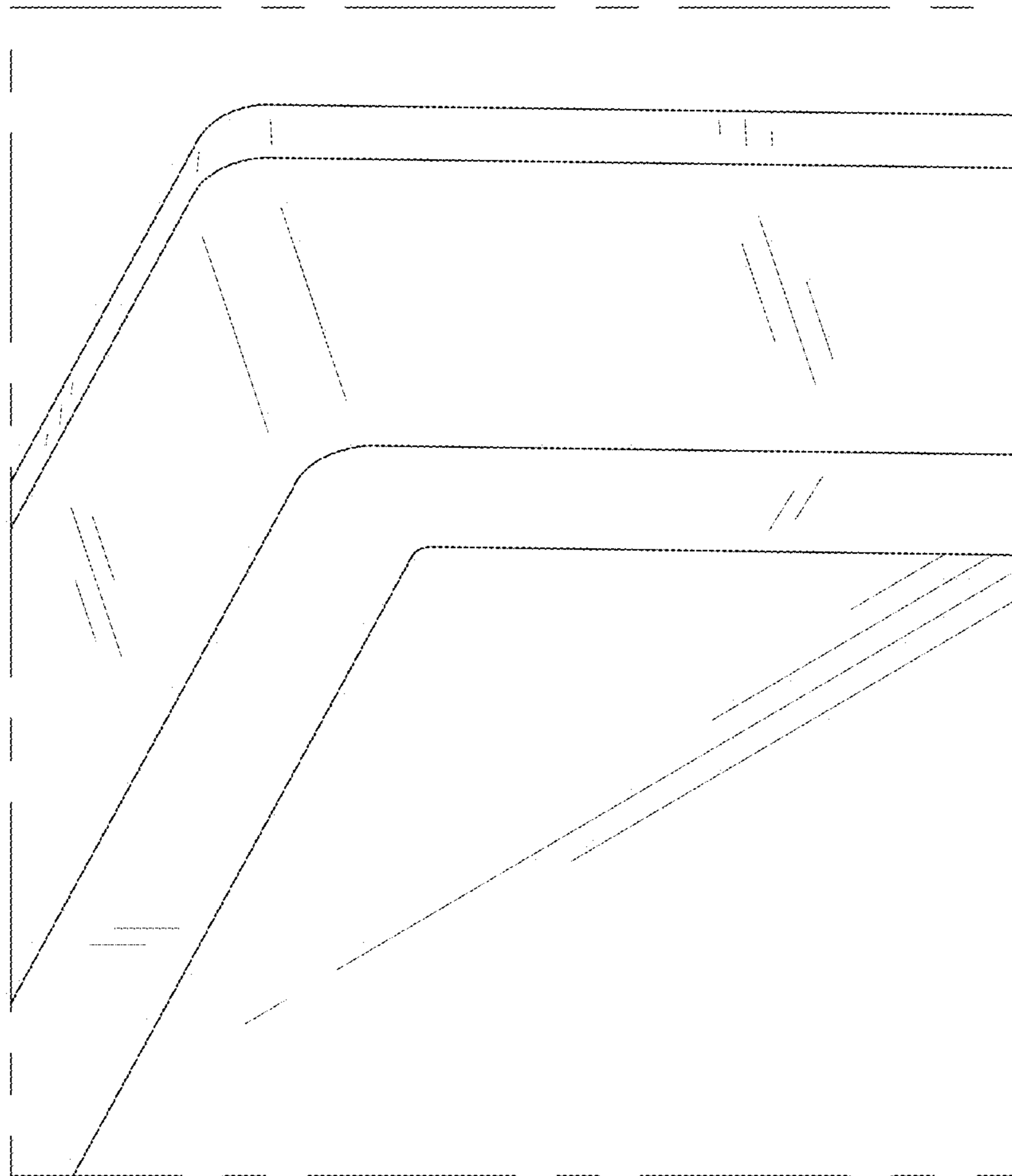


FIG. 10

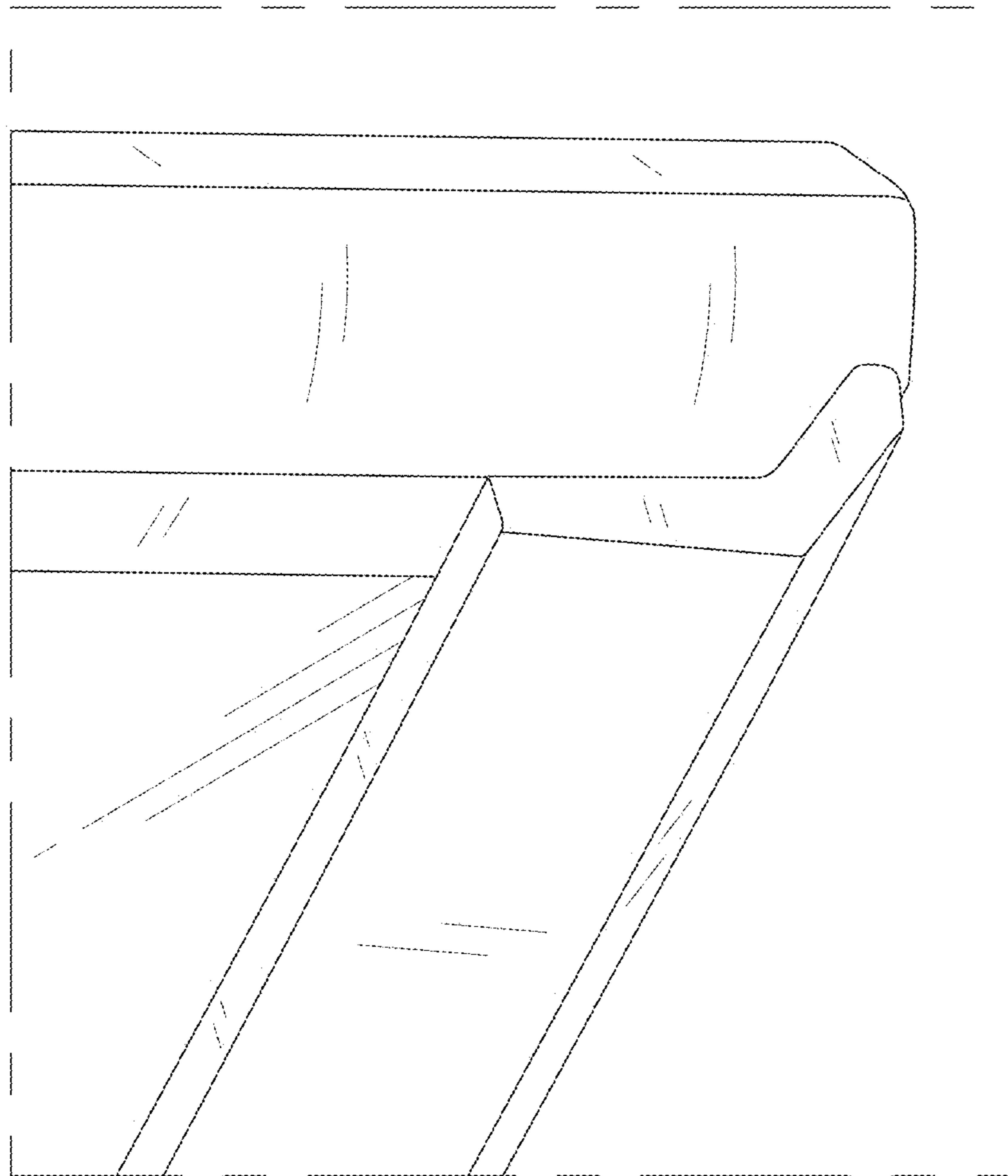


FIG. 11

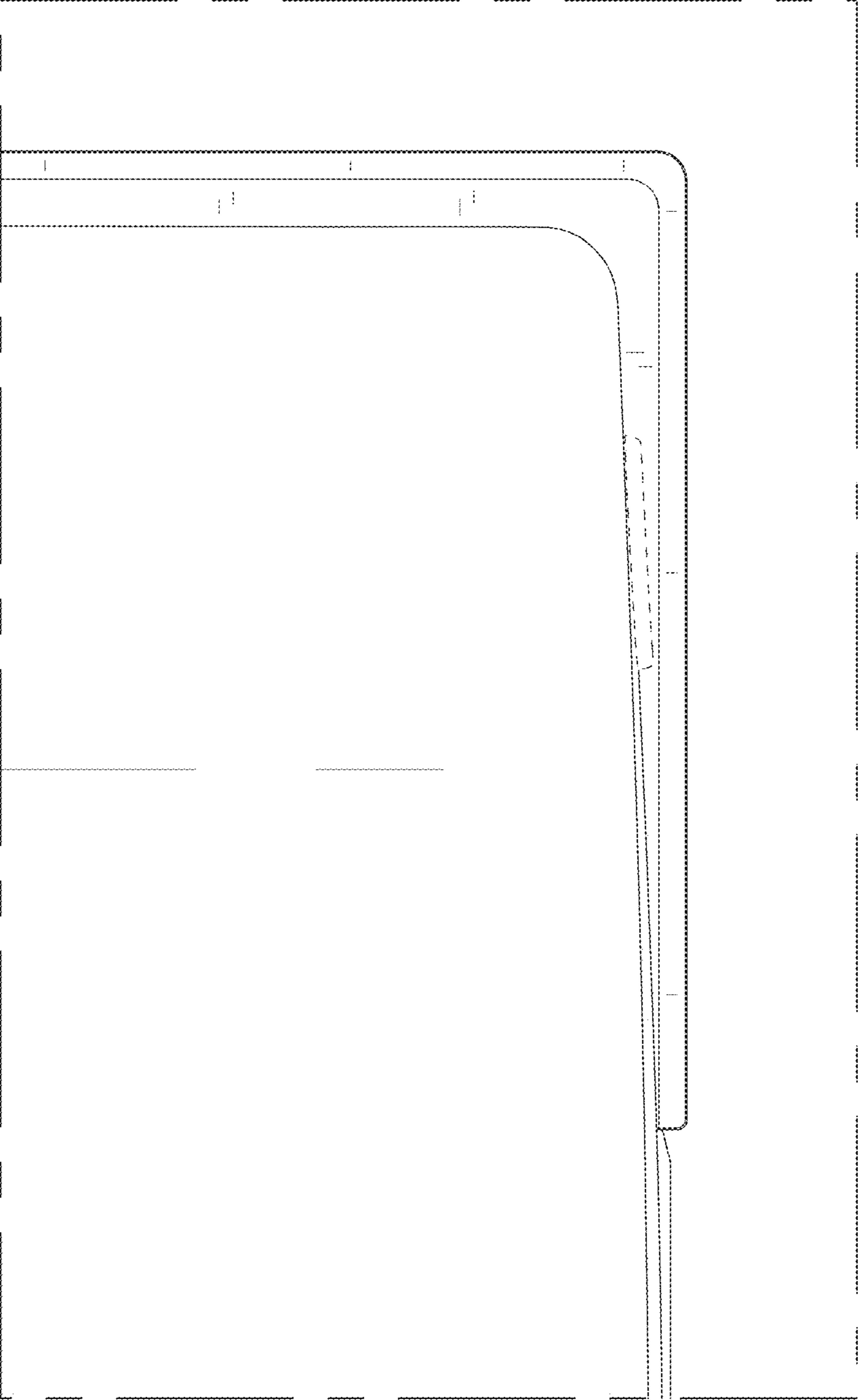


FIG. 12

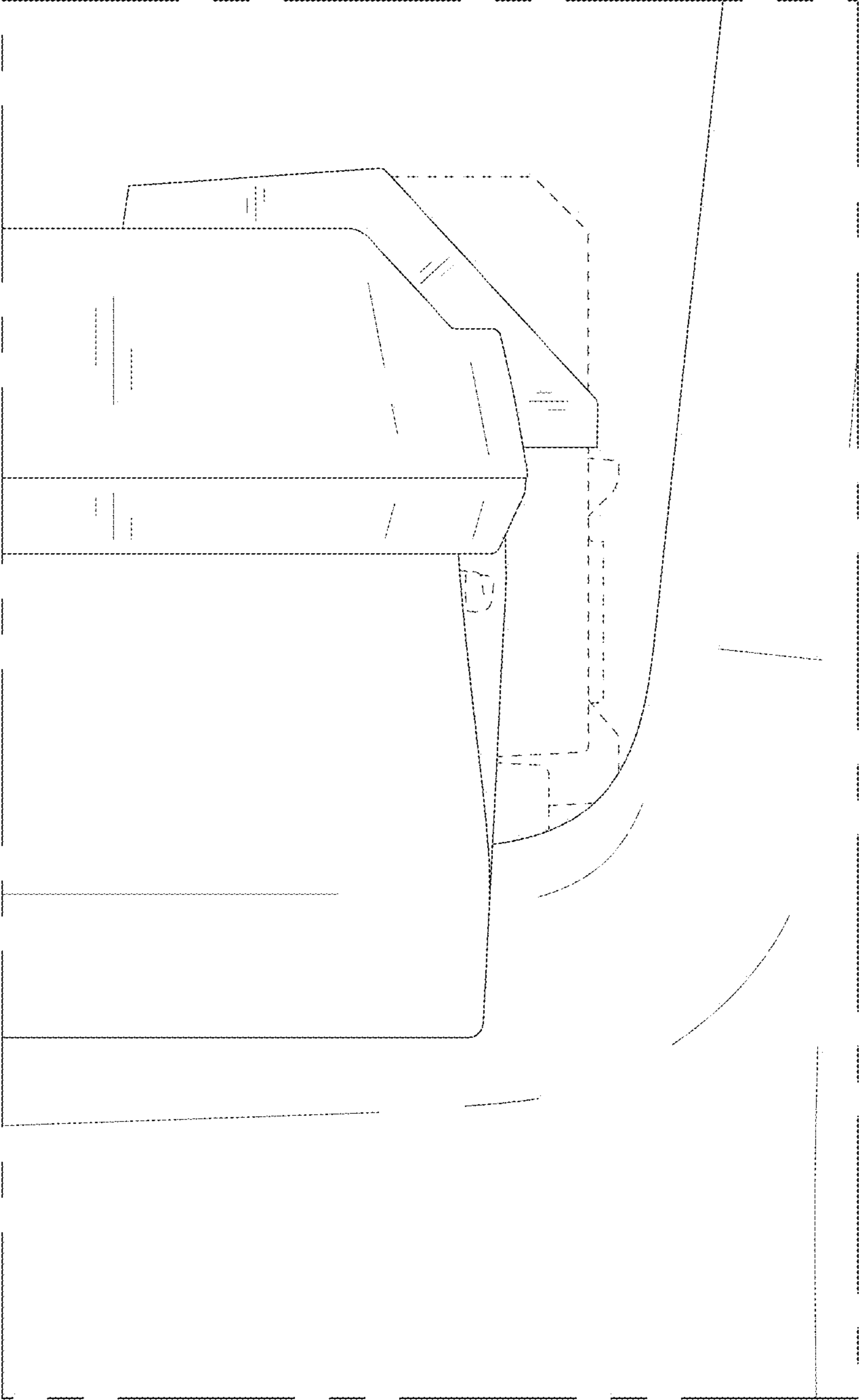


FIG. 13

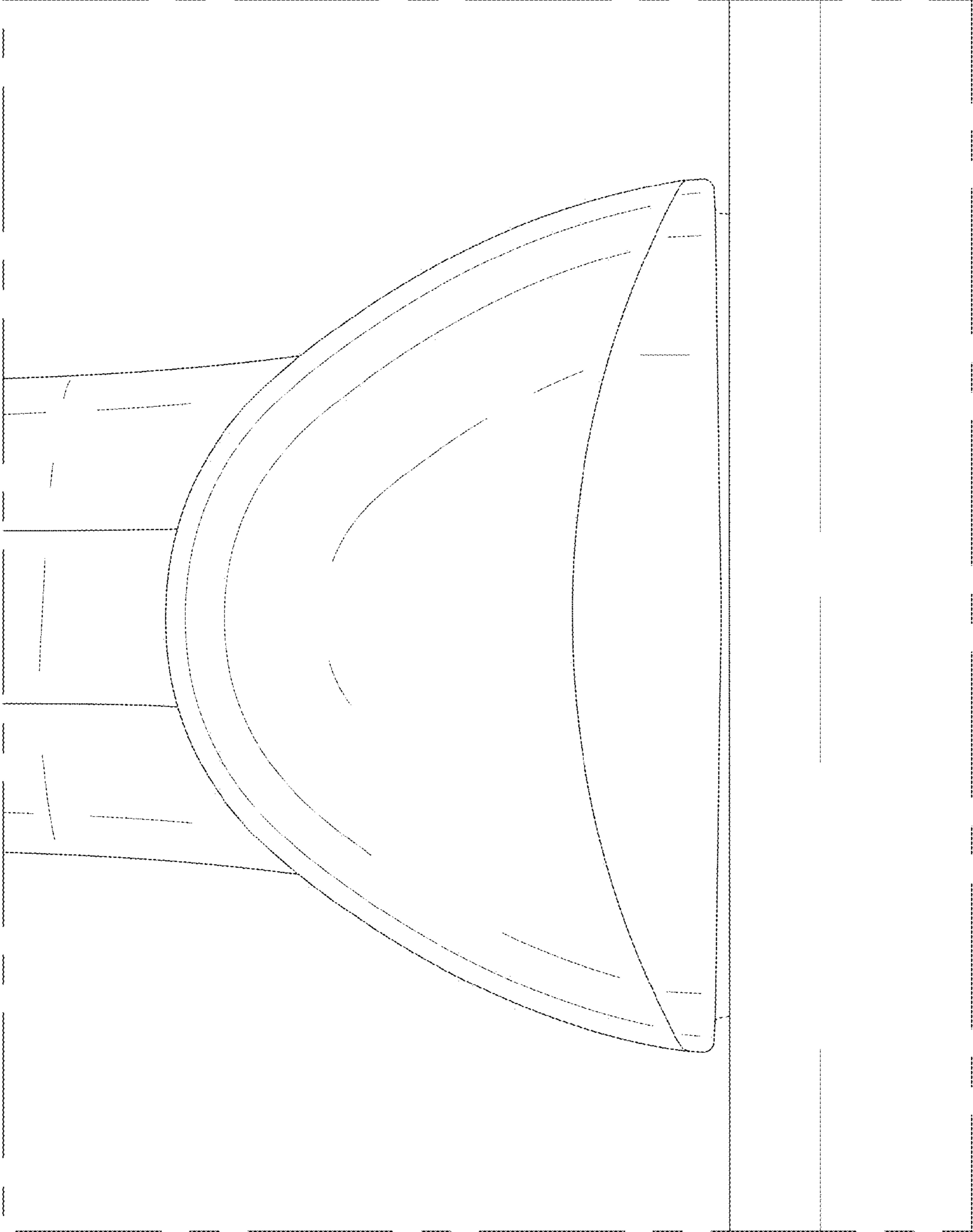


FIG. 14

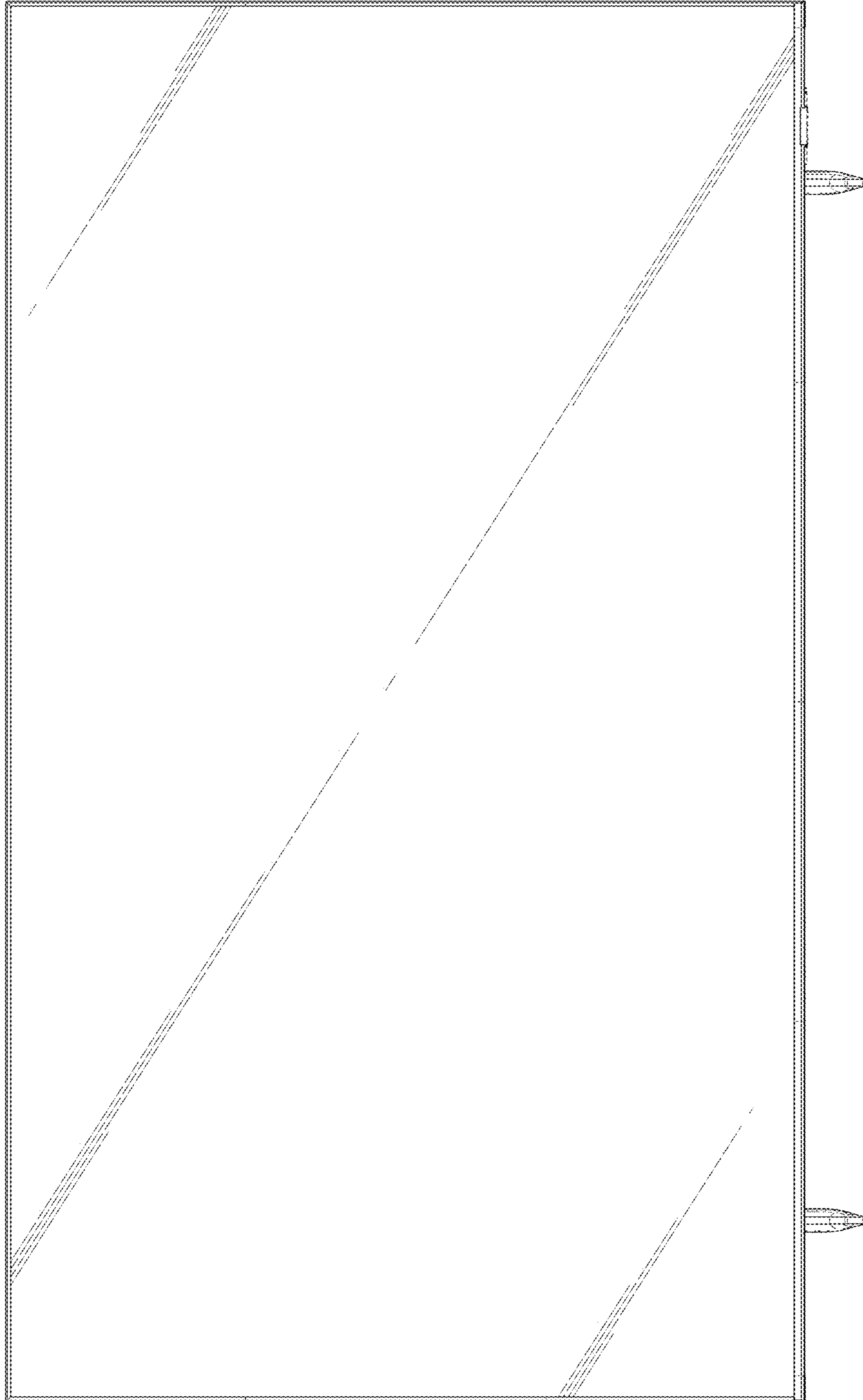


FIG. 15

