



US00D989015S

(12) **United States Design Patent**
Kang et al.

(10) **Patent No.:** **US D989,015 S**
(45) **Date of Patent:** **** Jun. 13, 2023**

(54) **TELEVISION RECEIVER**

(71) Applicant: **Samsung Electronics Co., Ltd.**,
Suwon-si (KR)

(72) Inventors: **Diana Minsun Kang**, Suwon-si (KR);
Jae-Neung Lee, Suwon-si (KR);
Chul-Yong Cho, Suwon-si (KR);
Su-An Choi, Suwon-si (KR); **Tae-Hun Kim**, Suwon-si (KR)

(73) Assignee: **SAMSUNG ELECTRONICS CO., LTD.**, Suwon-si (KR)

(**) Term: **15 Years**

(21) Appl. No.: **29/760,402**

(22) Filed: **Dec. 1, 2020**

(30) **Foreign Application Priority Data**

Jun. 2, 2020 (KR) 30-2020-0024332

(51) **LOC (14) Cl.** **14-03**

(52) **U.S. Cl.**
USPC **D14/126**

(58) **Field of Classification Search**
USPC D14/126, 128, 129, 130, 132, 133, 159,
D14/239, 307, 336, 371, 372, 374, 375,
(Continued)

(56) **References Cited**

U.S. PATENT DOCUMENTS

2,827,955 A * 3/1958 Hurley G03B 21/58
160/183
6,466,369 B1 * 10/2002 Maddock G03B 21/30
359/461

(Continued)

FOREIGN PATENT DOCUMENTS

CN 306832046 * 9/2021
KR 301006358.0000 * 5/2019

Primary Examiner — Marie D. Fast Horse

(74) *Attorney, Agent, or Firm* — McAndrews Held & Malloy, Ltd.

(57) **CLAIM**

The ornamental design for a television receiver, as shown and described.

DESCRIPTION

FIG. 1 is a front perspective view of a television receiver showing our new design;
FIG. 2 is a front elevation view thereof;
FIG. 3 is a rear elevation view thereof;
FIG. 4 is a left side elevation view thereof;
FIG. 5 is a right side elevation view thereof;
FIG. 6 is a top plan view thereof;
FIG. 7 is a bottom plan view thereof;
FIG. 8 is a rear perspective view thereof;
FIG. 9 is an enlarged view of the delineated portion 9 in FIG. 1;
FIG. 10 is an enlarged view of the delineated portion 10 in FIG. 1;
FIG. 11 is an enlarged view of the delineated portion 11 in FIG. 2;
FIG. 12 is an enlarged view of the delineated portion 12 in FIG. 2;
FIG. 13 is an enlarged view of the delineated portion 13 in FIG. 4;
FIG. 14 is an enlarged view of the delineated portion 14 in FIG. 6;
FIG. 15 is an enlarged view of the delineated portion 15 in FIG. 6;
FIG. 16 is a front perspective view of a television receiver showing our new design in an alternate position;
FIG. 17 is a front elevation view thereof;
FIG. 18 is a rear elevation view thereof;
FIG. 19 is a left side elevation view thereof;
FIG. 20 is a right side elevation view thereof;
FIG. 21 is a top plan view thereof;
FIG. 22 is a bottom plan view thereof;
FIG. 23 is a rear perspective view thereof;

(Continued)

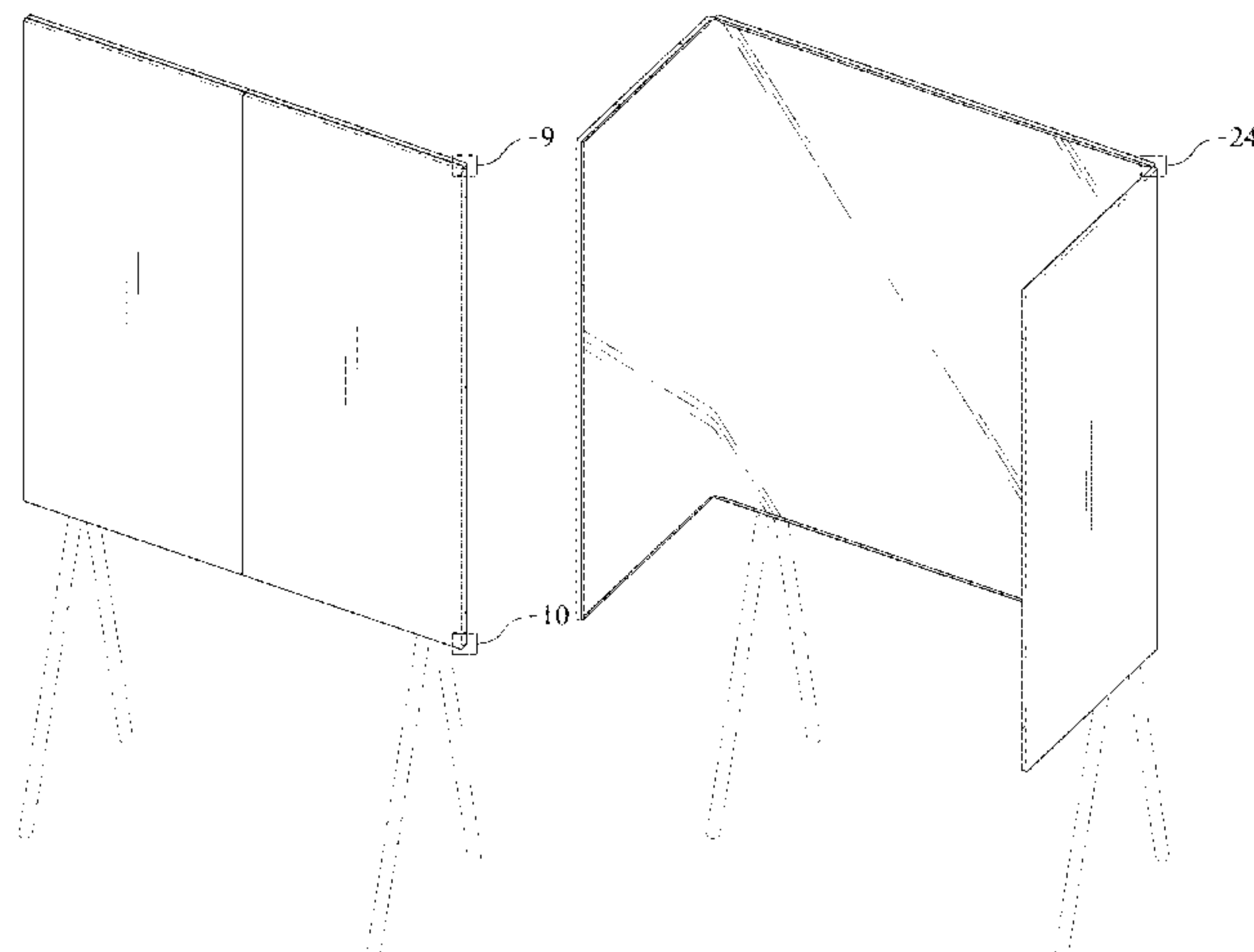


FIG. 24 is an enlarged view of the delineated portion 24 in FIG. 16;
 FIG. 25 is an enlarged view of the delineated portion 25 in FIG. 17;
 FIG. 26 is an enlarged view of the delineated portion 26 in FIG. 19;
 FIG. 27 is an enlarged view of the delineated portion 27 in FIG. 21;
 FIG. 28 is an enlarged view of the delineated portion 28 in FIG. 23;
 FIG. 29 is an enlarged view of the delineated portion 29 in FIG. 23;
 FIG. 30 is a front perspective view of a television receiver showing our new design in an alternate position;
 FIG. 31 is a front elevation view thereof;
 FIG. 32 is a rear elevation view thereof;
 FIG. 33 is a left side elevation view thereof;
 FIG. 34 is a right side elevation view thereof;
 FIG. 35 is a top plan view thereof;
 FIG. 36 is a bottom plan view thereof;
 FIG. 37 is a rear perspective view thereof;
 FIG. 38 is an enlarged view of the delineated portion 38 in FIG. 30;
 FIG. 39 is an enlarged view of the delineated portion 39 in FIG. 30;
 FIG. 40 is an enlarged view of the delineated portion 40 in FIG. 31;
 FIG. 41 is an enlarged view of the delineated portion 41 in FIG. 35;
 FIG. 42 is an enlarged view of the delineated portion 42 in FIG. 37; and,
 FIG. 43 is an enlarged view of the delineated portion 43 in FIG. 37.

The evenly dashed broken lines in the drawings illustrate portions of the television receiver that form no part of the claimed design. The dot-dash broken lines in the drawings delineate portions of the claimed design that are illustrated in enlargements and form no part of the claimed design.

1 Claim, 43 Drawing Sheets

(58) Field of Classification Search

USPC D14/376, 383, 448, 451, 496, 345, 501,
 D14/138 AB; D20/10, 18, 19, 21, 39;
 D16/241
 CPC G06F 1/1616; G06F 1/1618; G06F 1/1641;
 G06F 1/1652; G06F 2200/1612; G06F
 3/1446; G06F 2203/04102; H04N
 1/00522; H04N 1/00519; H04N 5/64;
 H05K 5/0004; H05K 5/0017; H05K
 5/0018; H05K 5/02; H05K 5/0217; H05K
 9/0096

See application file for complete search history.

(56) References Cited

U.S. PATENT DOCUMENTS

D587,710 S 3/2009 Han
 D589,511 S 3/2009 Han

D589,958 S	4/2009	Han	
D589,959 S	4/2009	Han	
8,184,213 B2 *	5/2012	Yuzawa	G03B 21/58 348/838
D685,837 S *	7/2013	Measom	D16/241
D694,754 S *	12/2013	Nakada	D14/373
D716,751 S *	11/2014	Lee	D14/345
D719,542 S *	12/2014	Lee	D14/345
D741,856 S *	10/2015	Yamazaki	D14/345
D745,006 S *	12/2015	Hirakata	D14/345
D745,516 S *	12/2015	Yamazaki	D14/345
D746,285 S *	12/2015	Okabe	D14/345
D747,284 S	1/2016	Endo et al.	
9,239,594 B2 *	1/2016	Lee	G06F 1/1652
D749,575 S *	2/2016	Park	D14/345
D749,576 S *	2/2016	Park	D14/345
D750,036 S *	2/2016	Endo	D14/126
D754,254 S *	4/2016	Dashe	D20/40
D754,657 S *	4/2016	Kim	D14/345
D757,723 S *	5/2016	Kwak	D14/345
D760,219 S *	6/2016	Yamazaki	D14/341
D761,251 S *	7/2016	Senda	D14/341
D761,252 S *	7/2016	Senda	D14/341
D761,254 S *	7/2016	Yamazaki	D14/345
9,411,378 B1 *	8/2016	Knepper	G06F 1/1616
D767,525 S *	9/2016	Byun	D14/138 AB
D768,624 S *	10/2016	Bae	D14/345
D769,209 S *	10/2016	Byun	D14/138 AB
D774,015 S *	12/2016	Park	D14/138 AB
D775,598 S *	1/2017	Kim	D14/345
D775,601 S *	1/2017	Lee	D14/345
D775,602 S *	1/2017	Lee	D14/345
D777,131 S *	1/2017	Lee	D14/345
D777,132 S *	1/2017	Lee	D14/345
D778,866 S *	2/2017	Lee	D14/345
D784,941 S *	4/2017	Lee	D14/126
D786,210 S *	5/2017	Lee	D14/345
D788,773 S *	6/2017	Seo	D14/345
D788,774 S *	6/2017	Seo	D14/345
D790,537 S *	6/2017	Bae	D14/345
D791,725 S *	7/2017	Lee	D14/138 AB
D800,112 S *	10/2017	Park	D14/345
D807,311 S *	1/2018	Lee	D14/126
D819,630 S *	6/2018	Prushinskiy	D14/345
D822,633 S *	7/2018	Yeom	D14/138 AB
D823,824 S *	7/2018	Won	D14/126
D826,203 S *	8/2018	Seo	D14/138 AD
D828,318 S *	9/2018	Seo	D14/138 AD
D844,595 S *	4/2019	Kikuchi	G06F 1/1652 D14/248
D861,626 S *	10/2019	Wu	D14/126
D864,886 S *	10/2019	Kim	D14/126
D898,688 S *	10/2020	Lee	D14/126
D911,299 S *	2/2021	Kim	D14/126
D922,345 S *	6/2021	Bae	D14/345
D922,974 S *	6/2021	Bae	D14/345
D941,791 S *	1/2022	Lee	D14/138 AB
D964,357 S *	9/2022	Lee	D14/345
D967,047 S *	10/2022	Lee	D14/138 AB
D969,098 S *	11/2022	Han	D14/138 AB
D971,172 S *	11/2022	Lee	D14/138 AB
2012/0280924 A1 *	11/2012	Kummer	H04M 1/0235 345/173
2016/0205792 A1 *	7/2016	Ahn	G06F 1/1652 40/779

* cited by examiner

FIG. 1

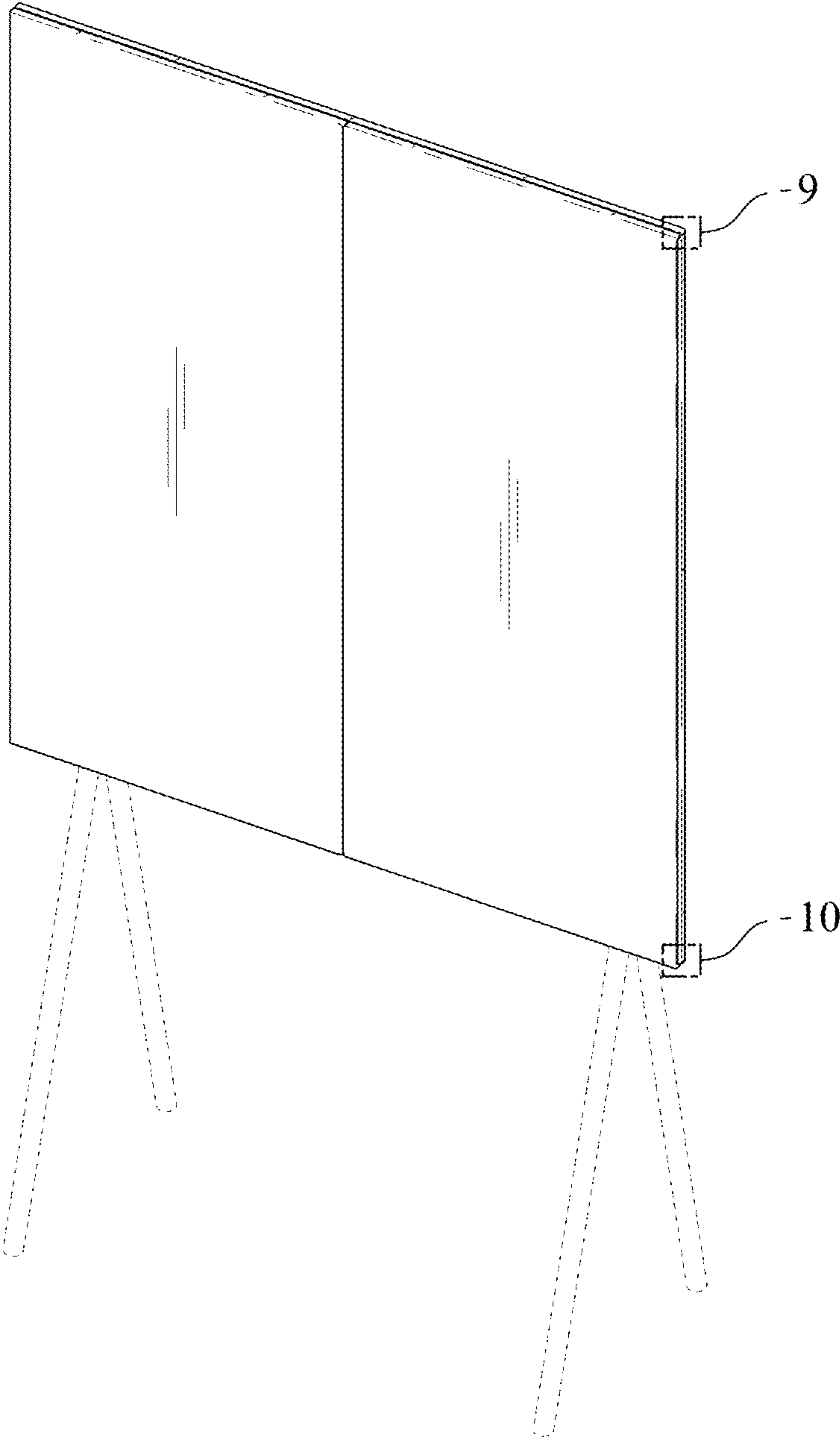


FIG. 2

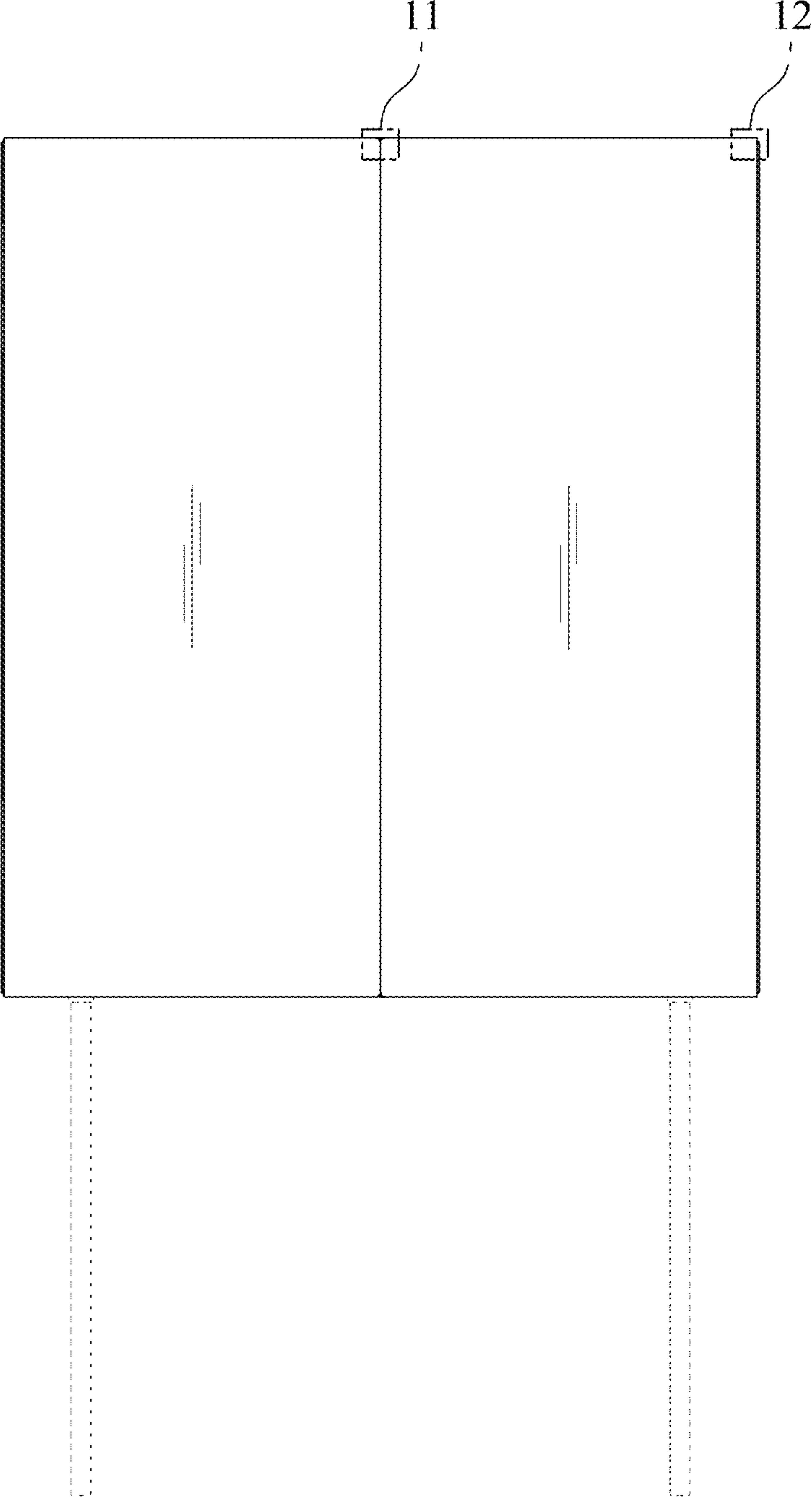


FIG. 3

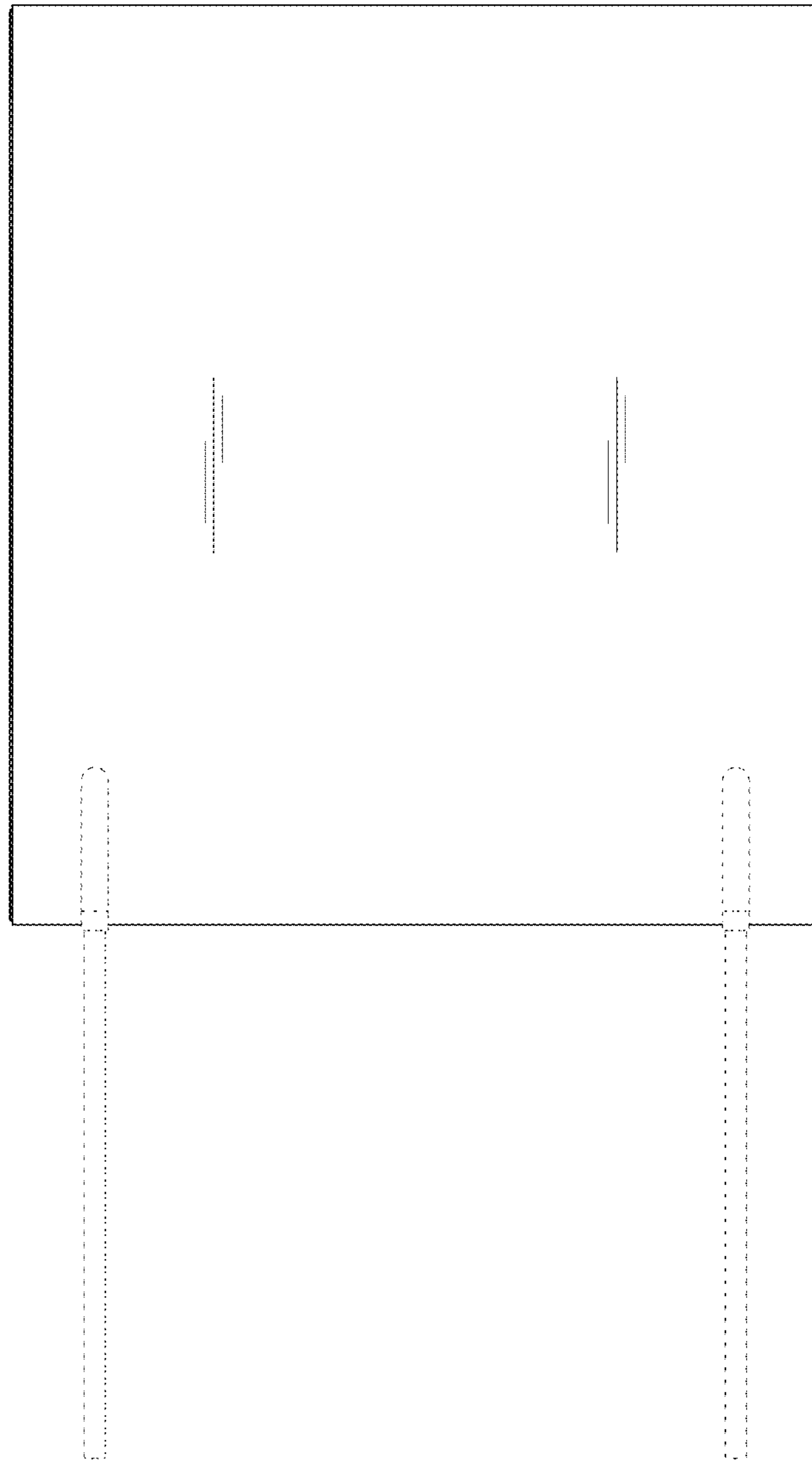


FIG. 4

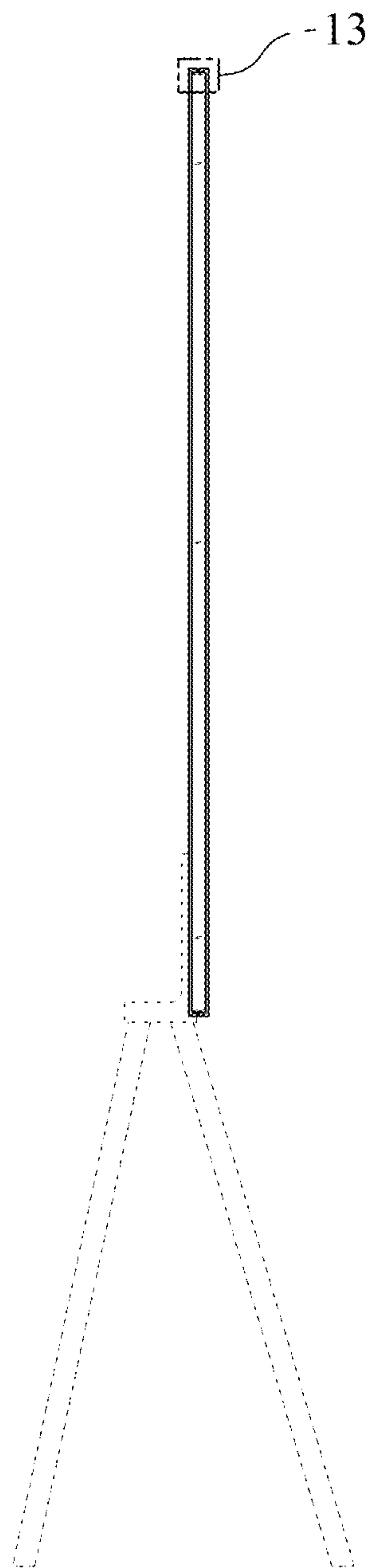


FIG. 5

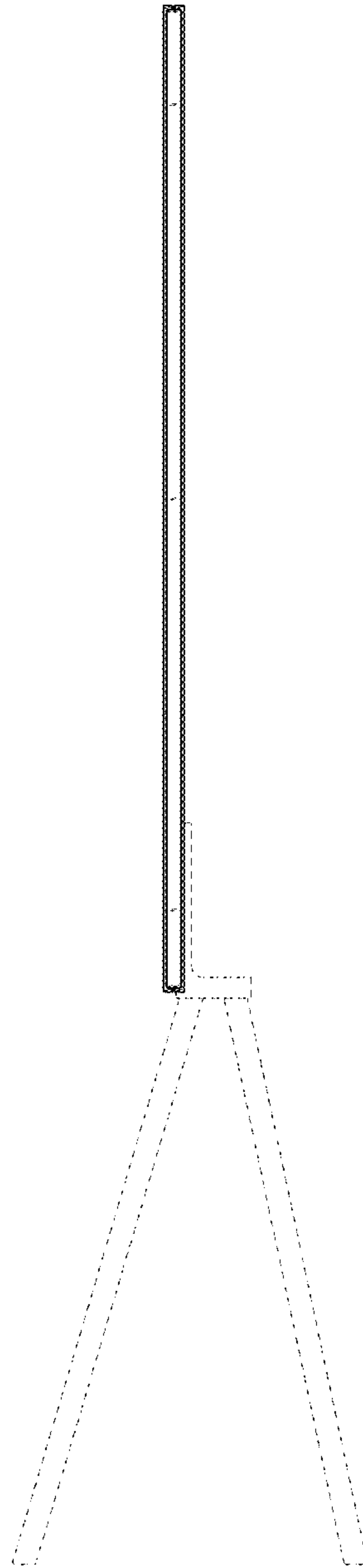


FIG. 6

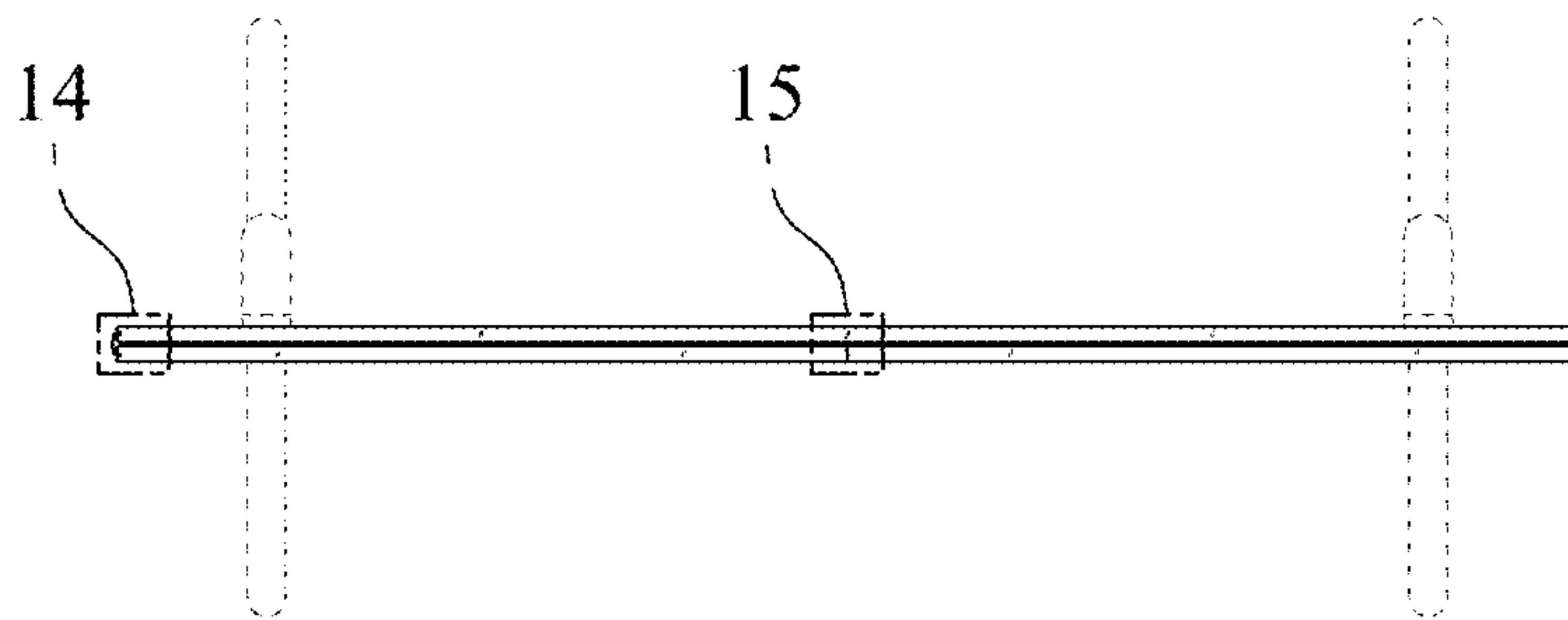


FIG. 7

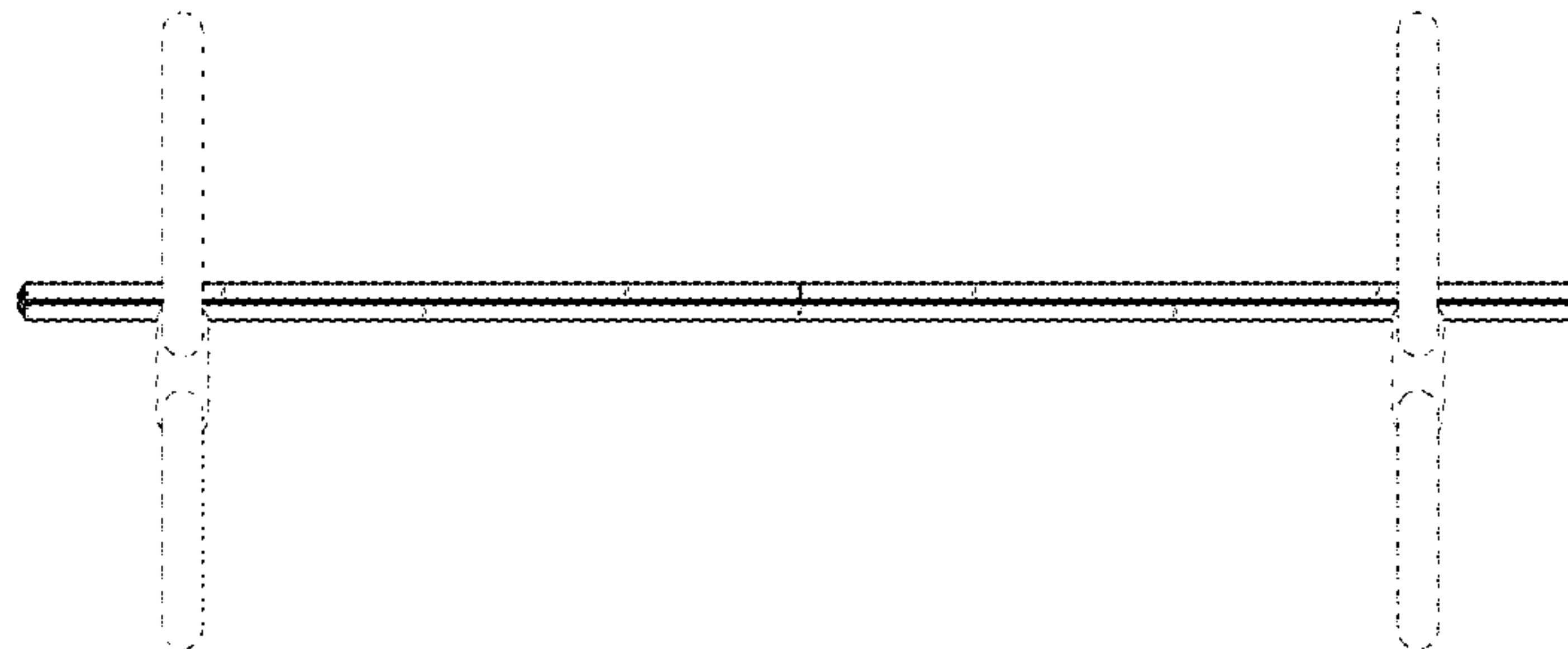


FIG. 8

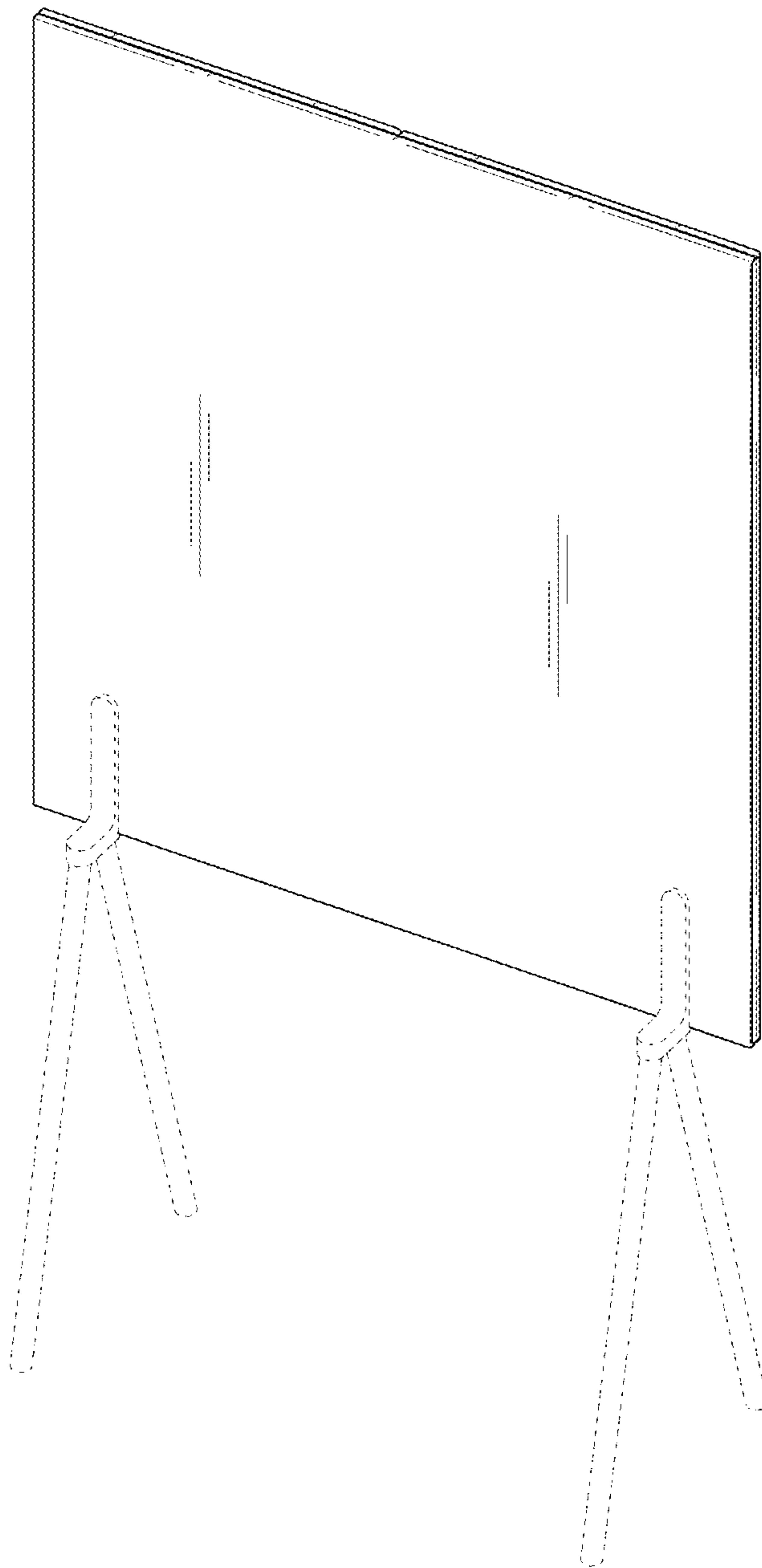


FIG. 9

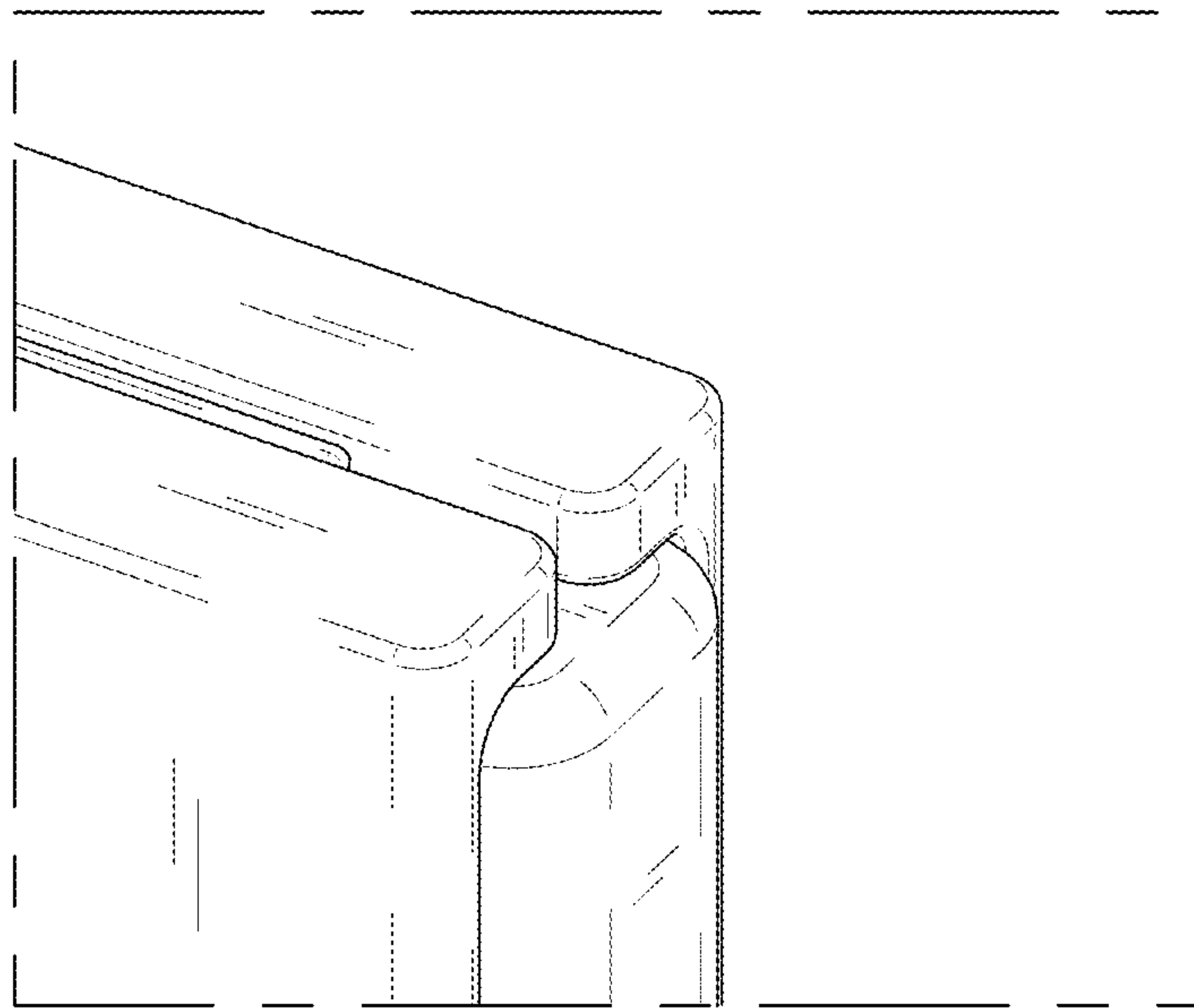


FIG. 10

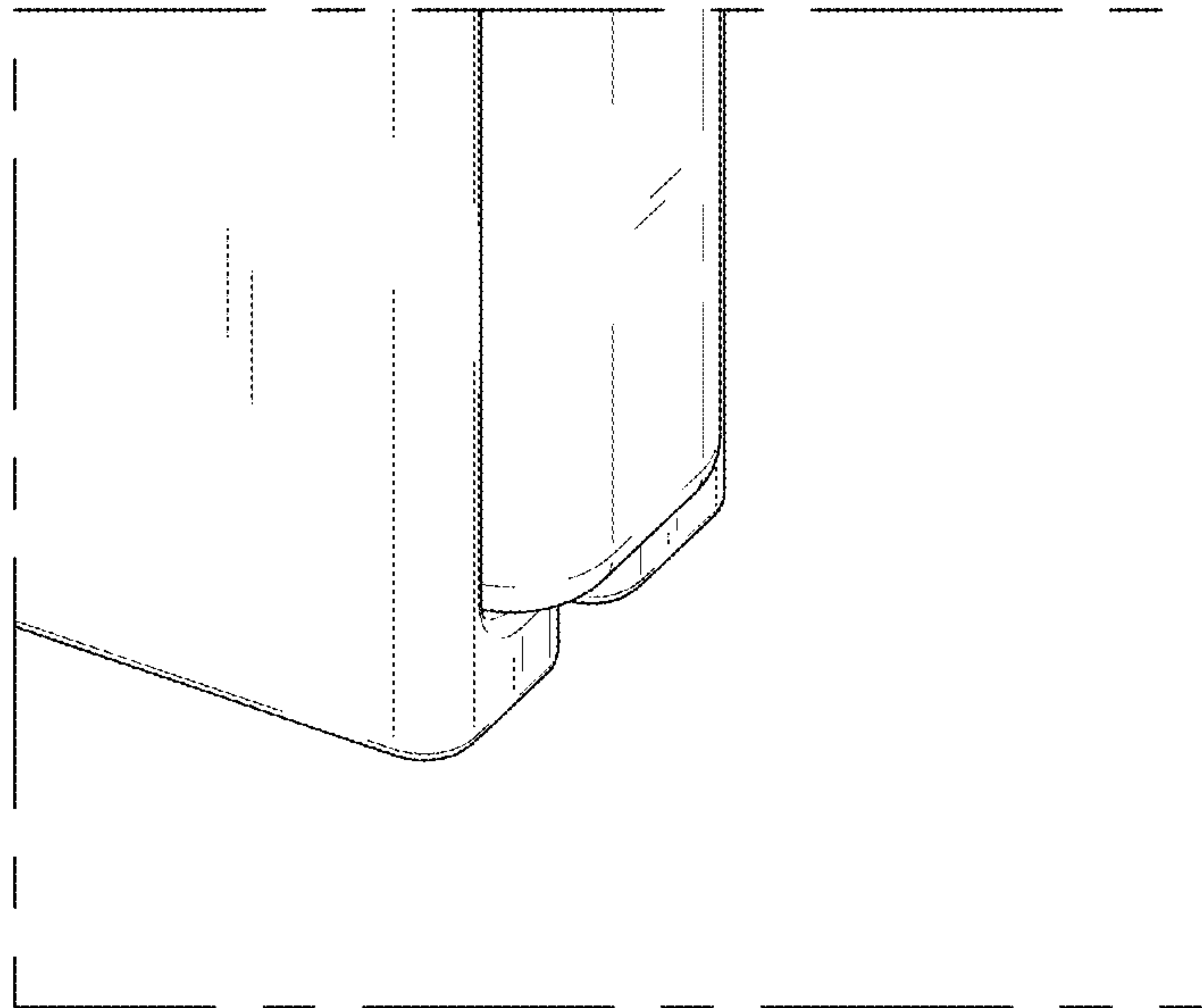


FIG. 11

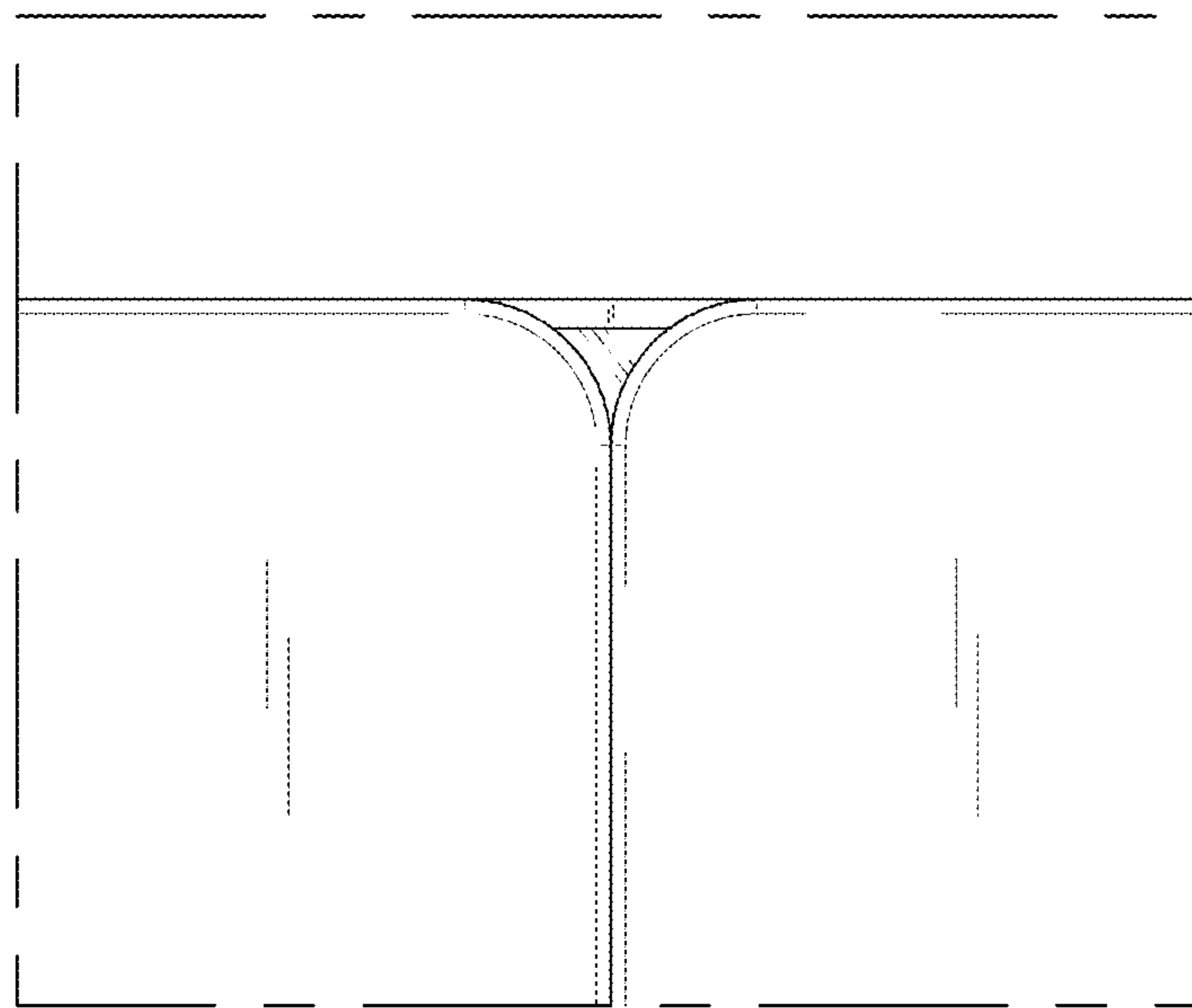


FIG. 12

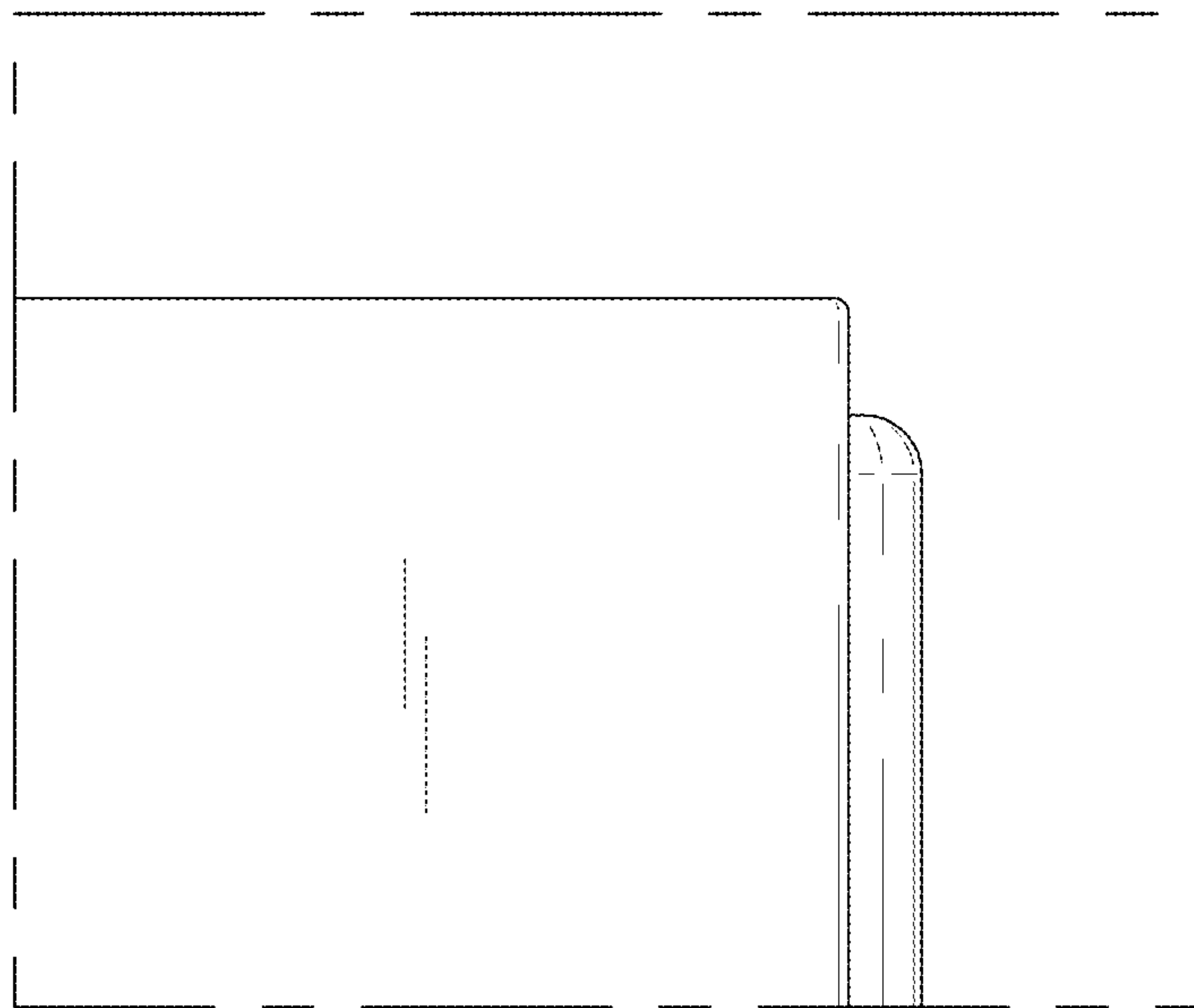


FIG. 13

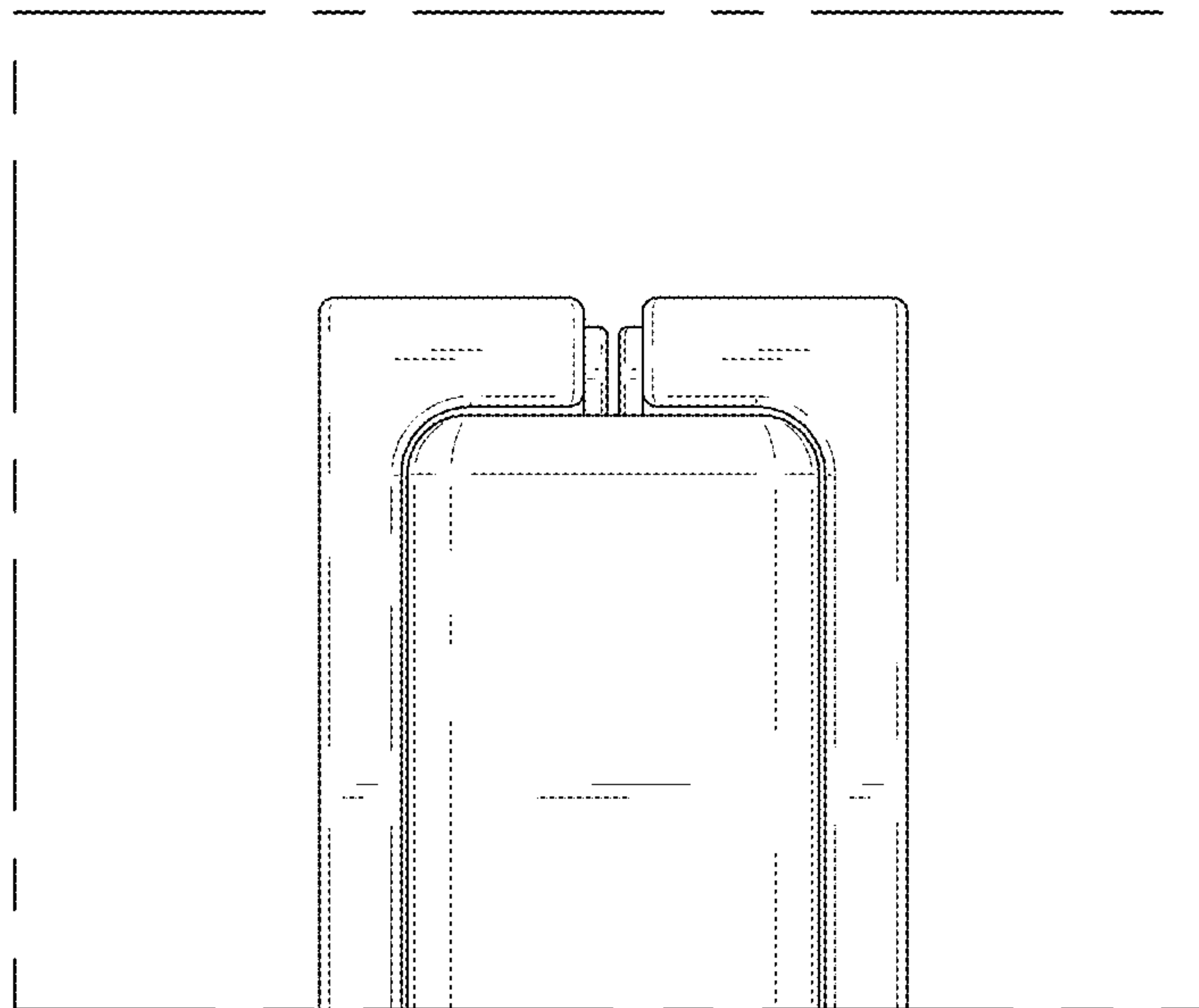


FIG. 14

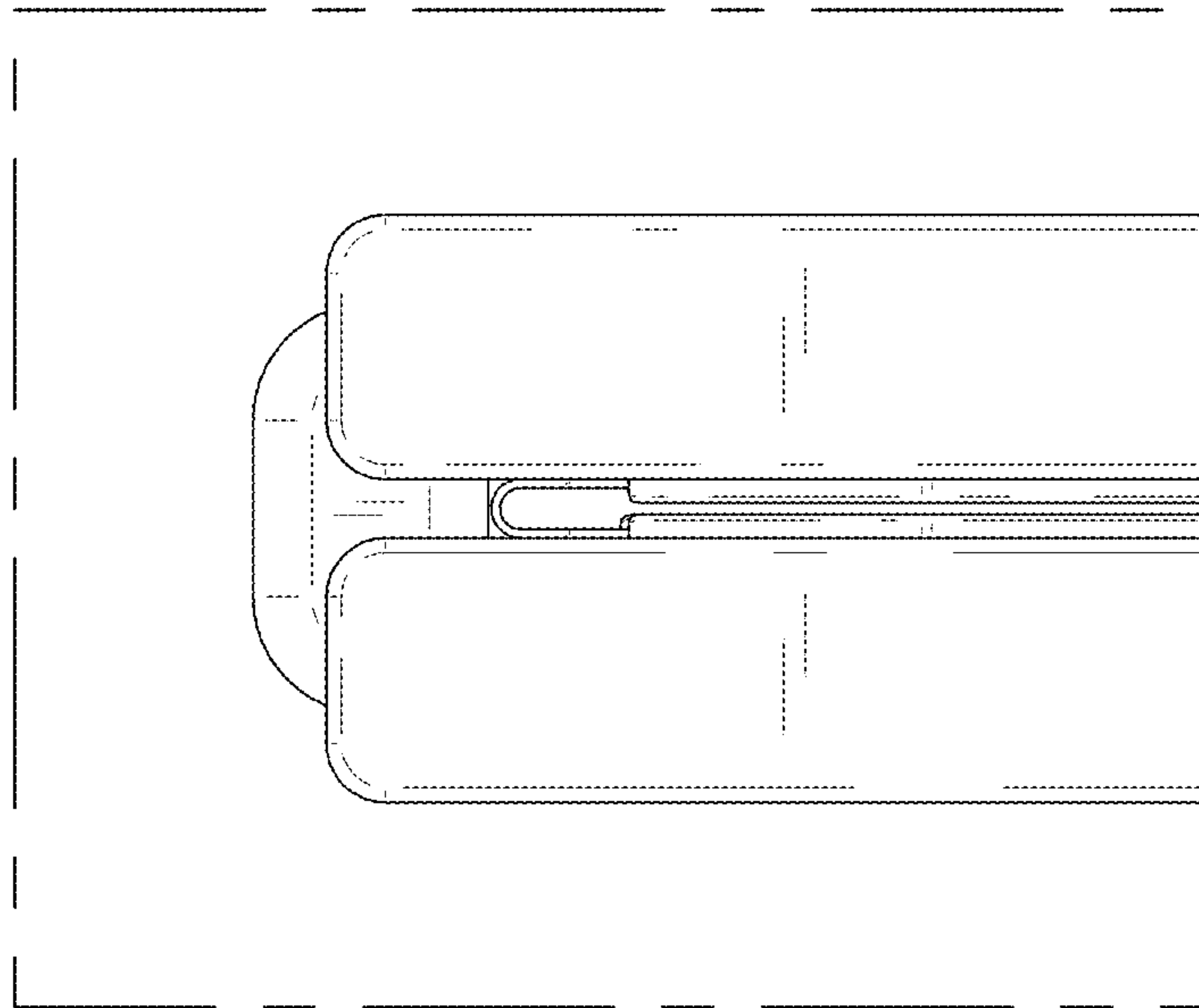


FIG. 15

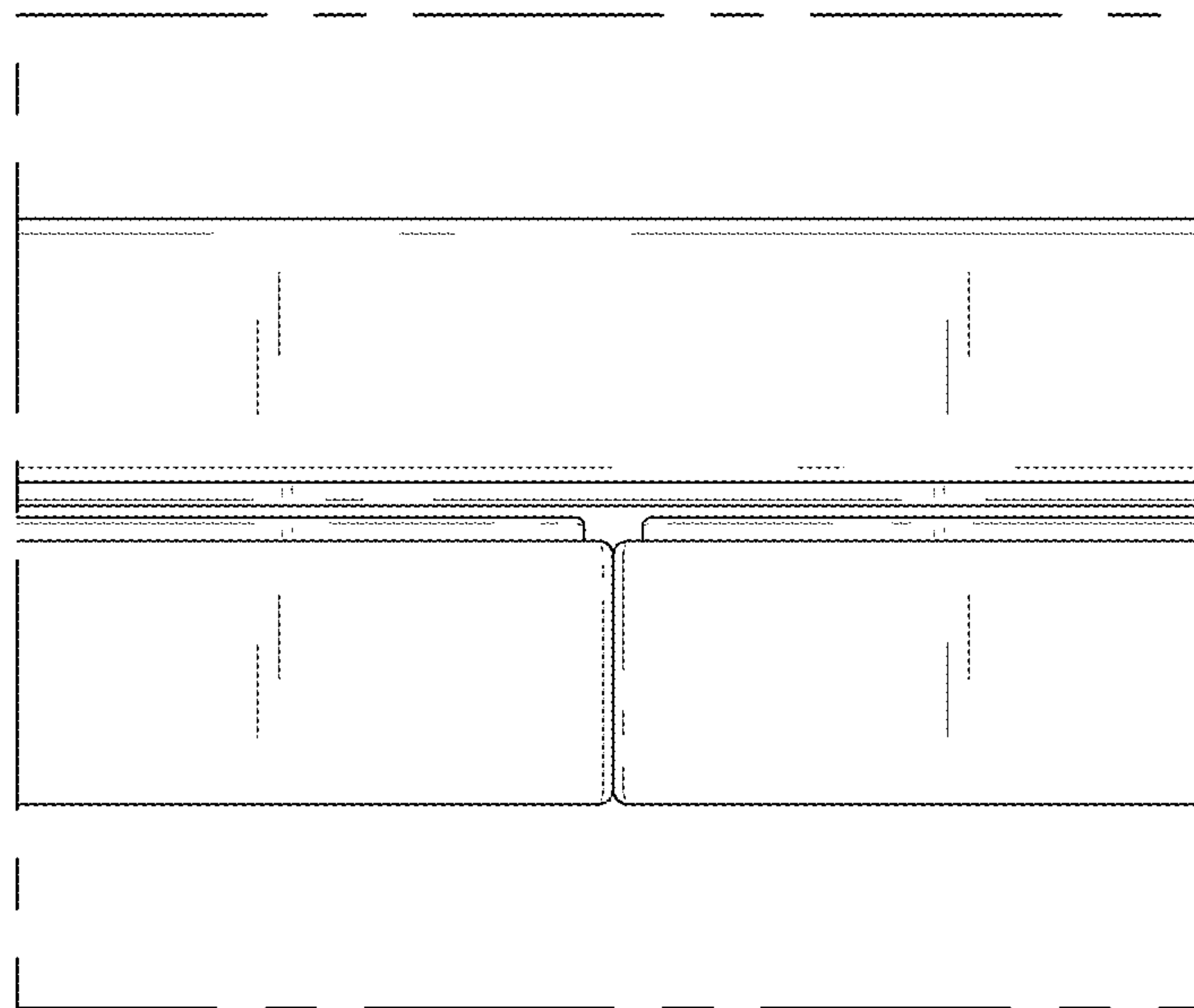


FIG. 16

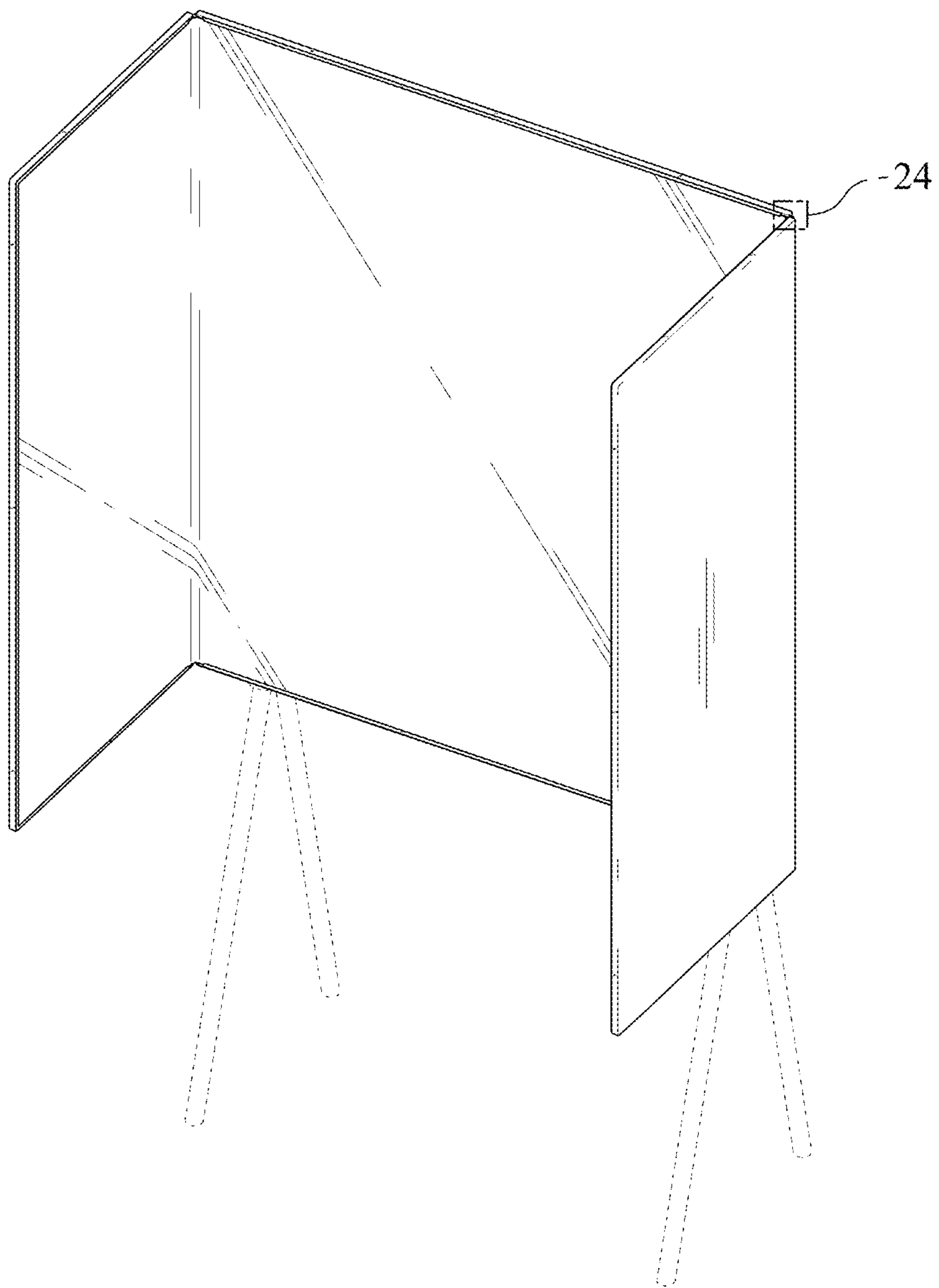


FIG. 17

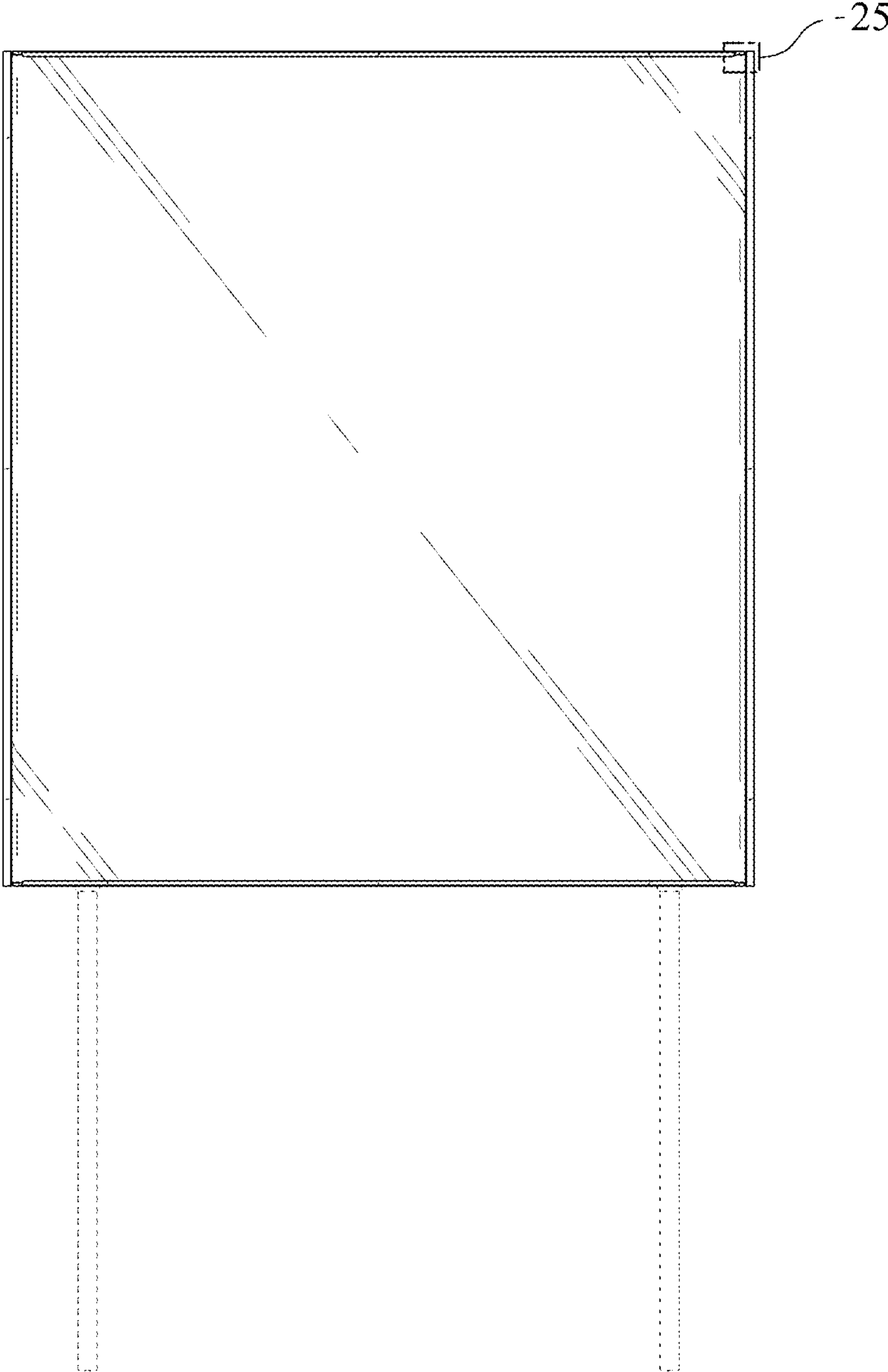


FIG. 18

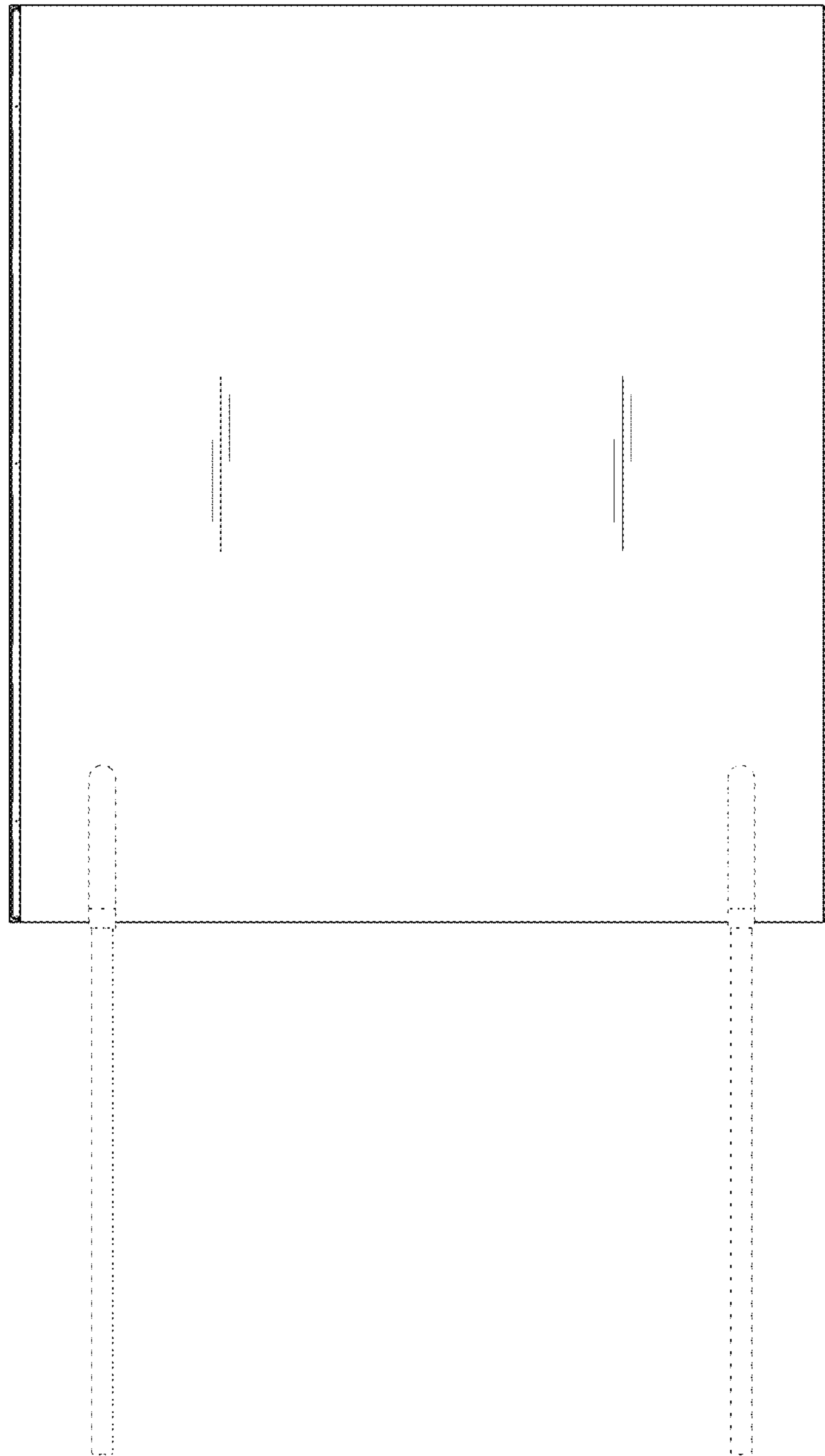


FIG. 19

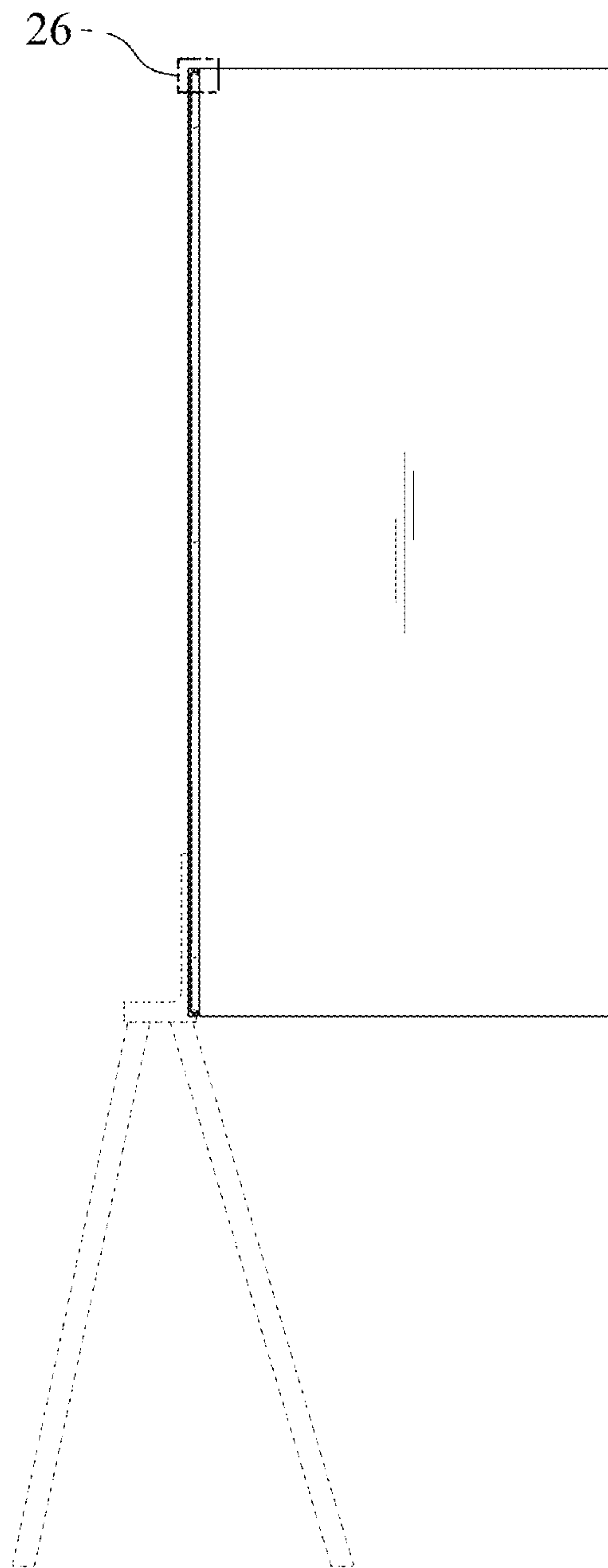


FIG. 20

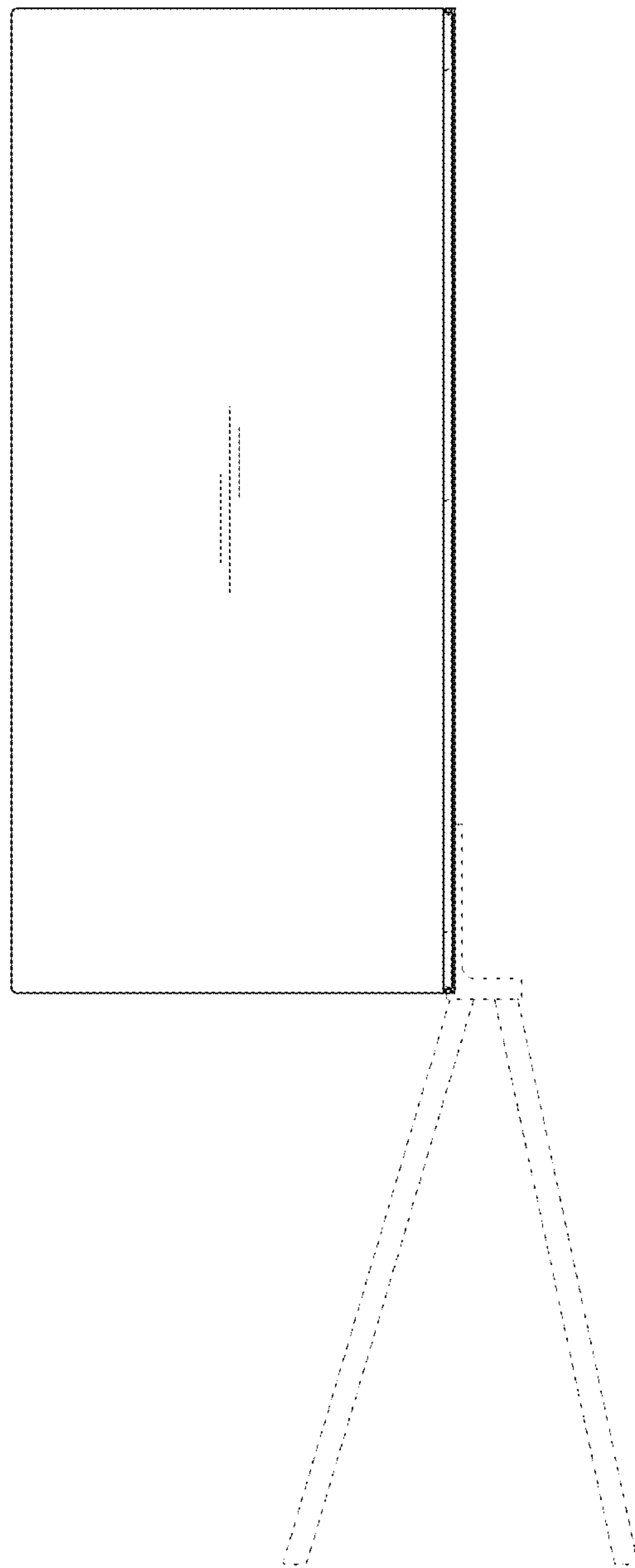


FIG. 21

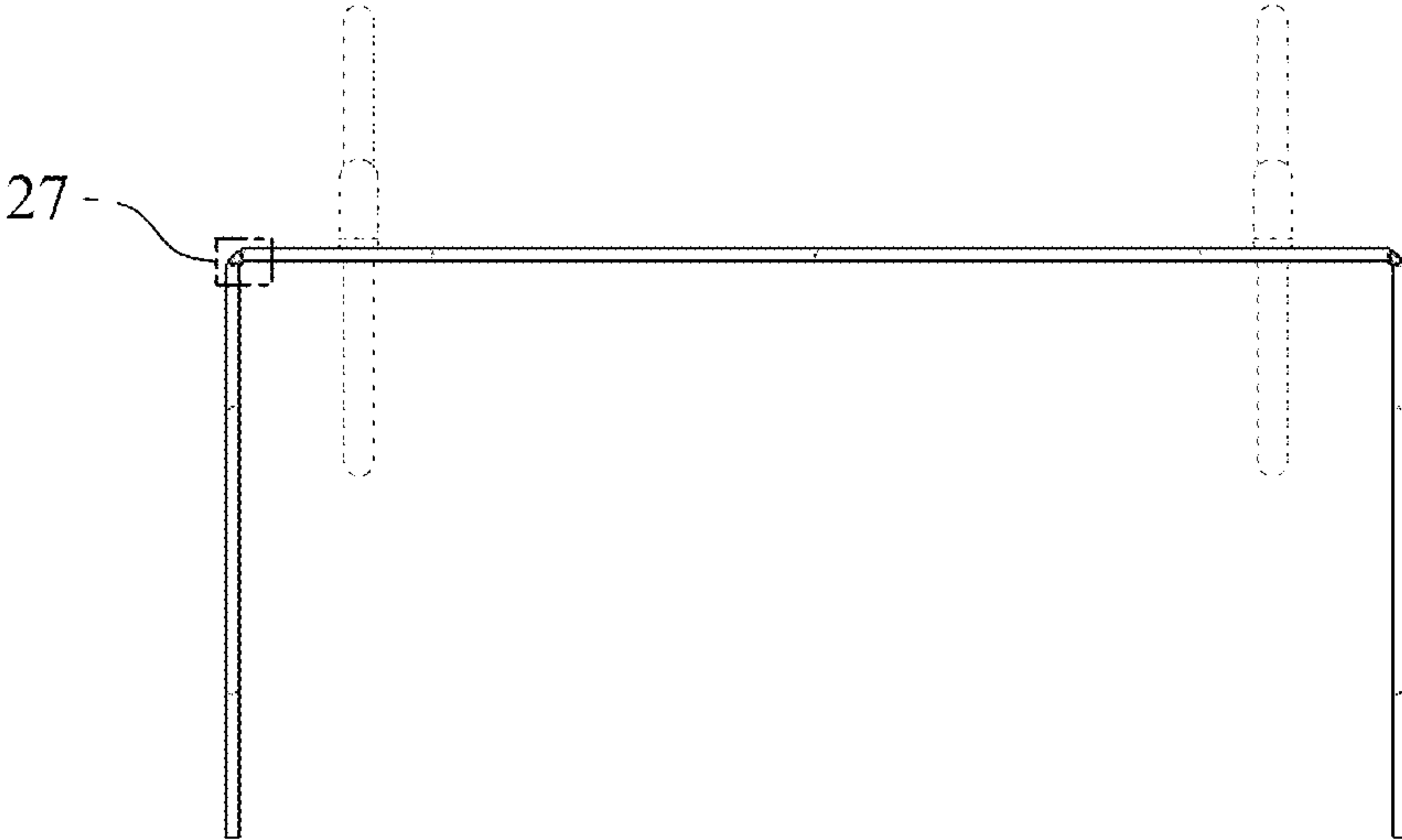


FIG. 22

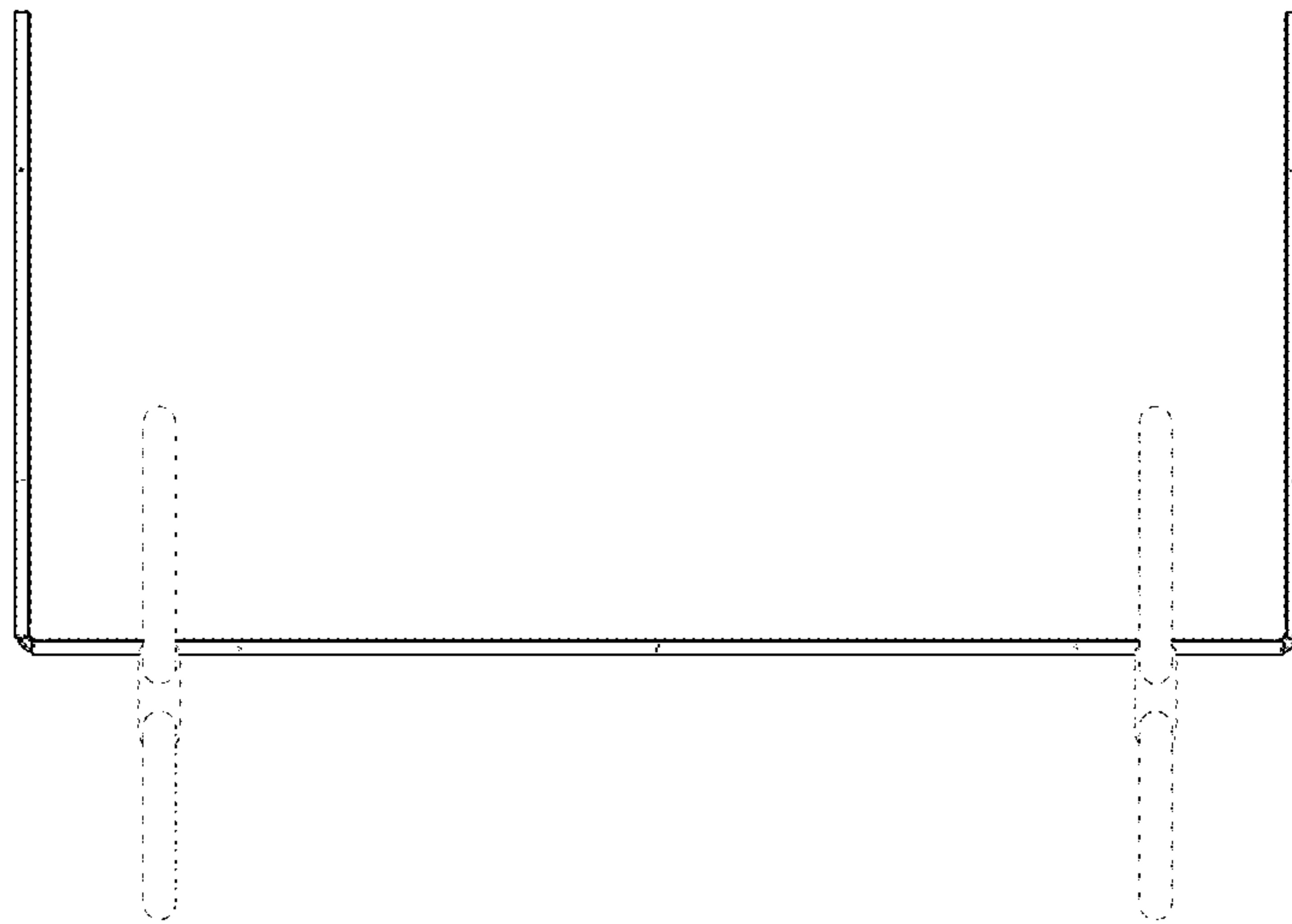


FIG. 23

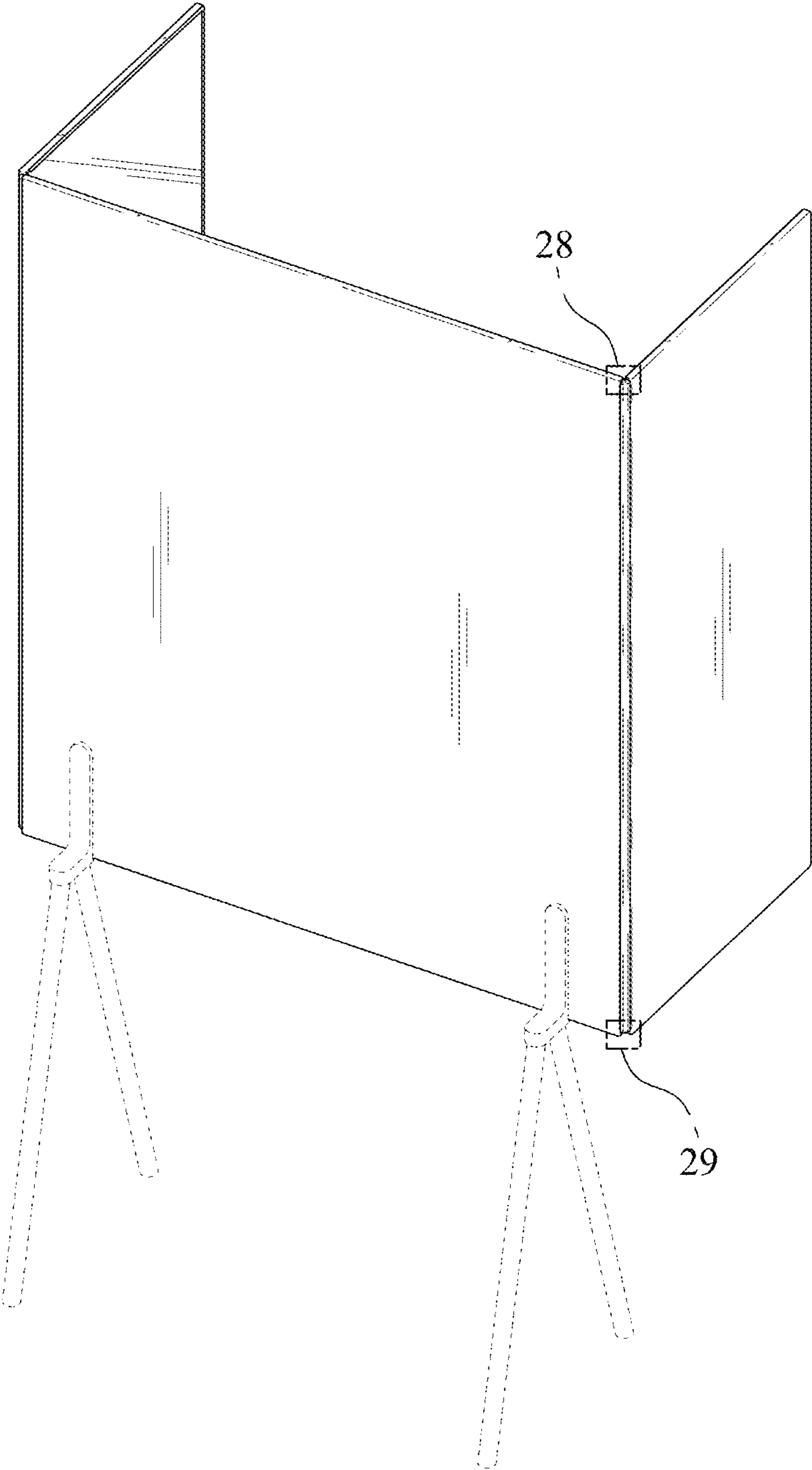


FIG. 24

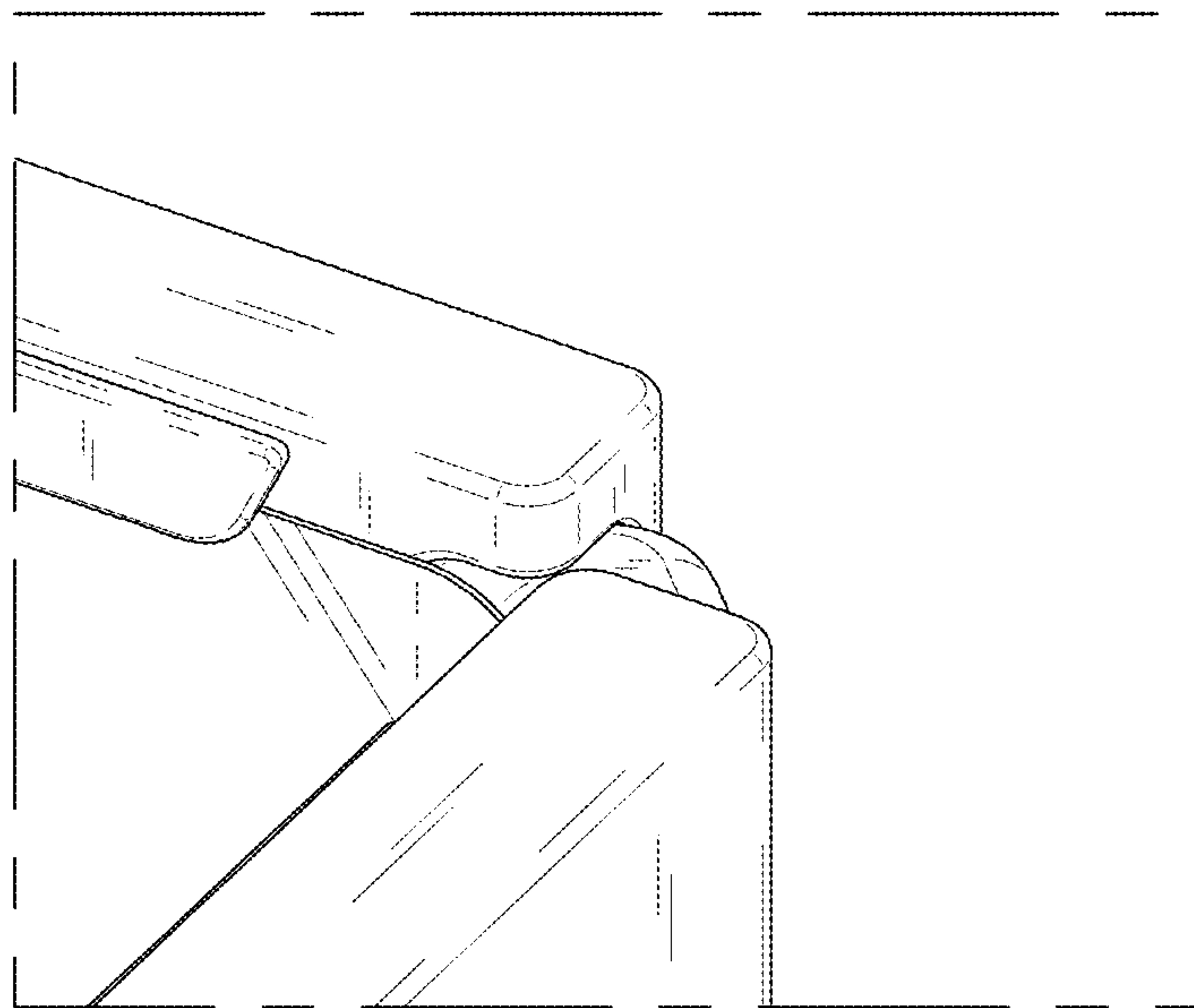


FIG. 25

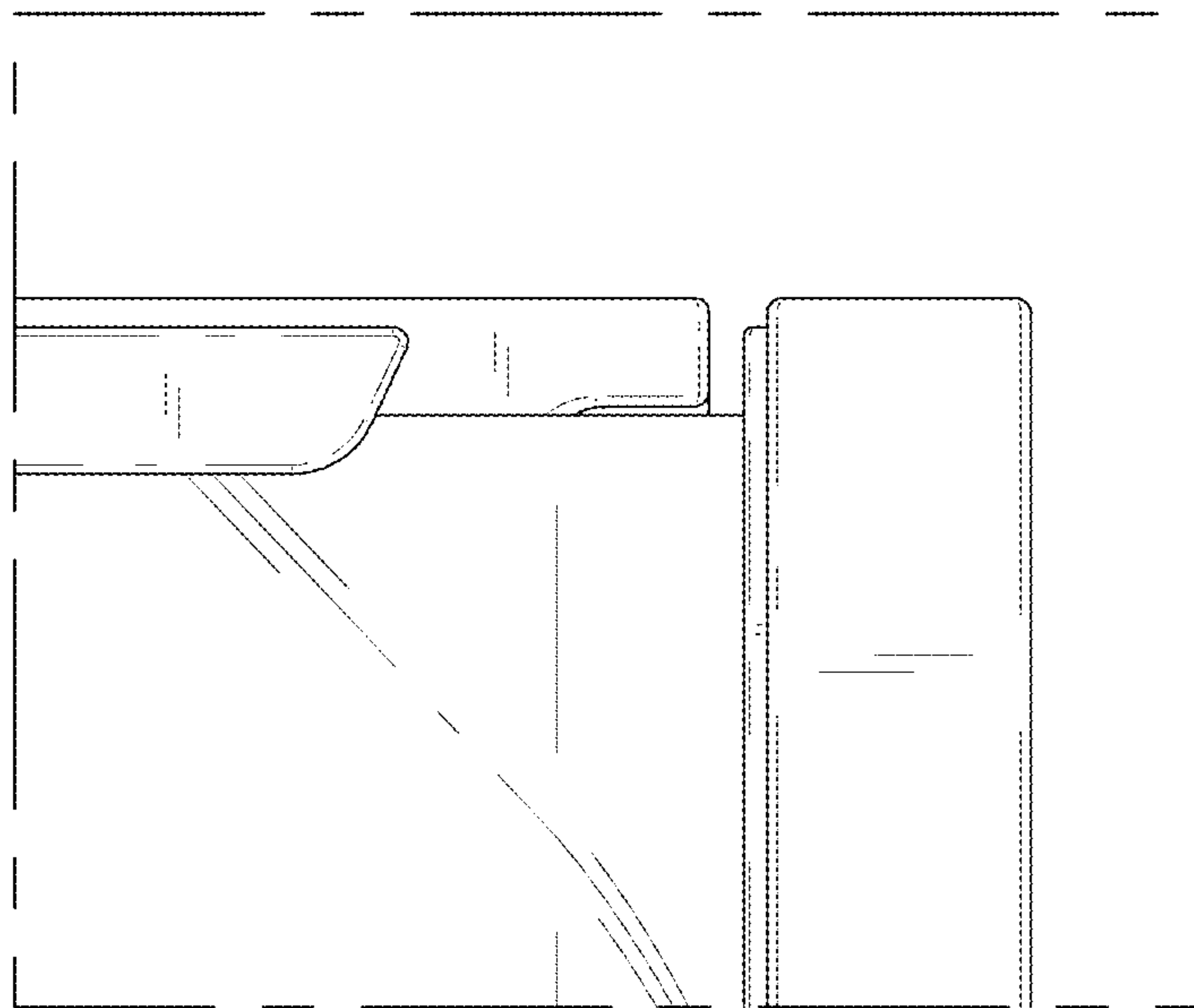


FIG. 26

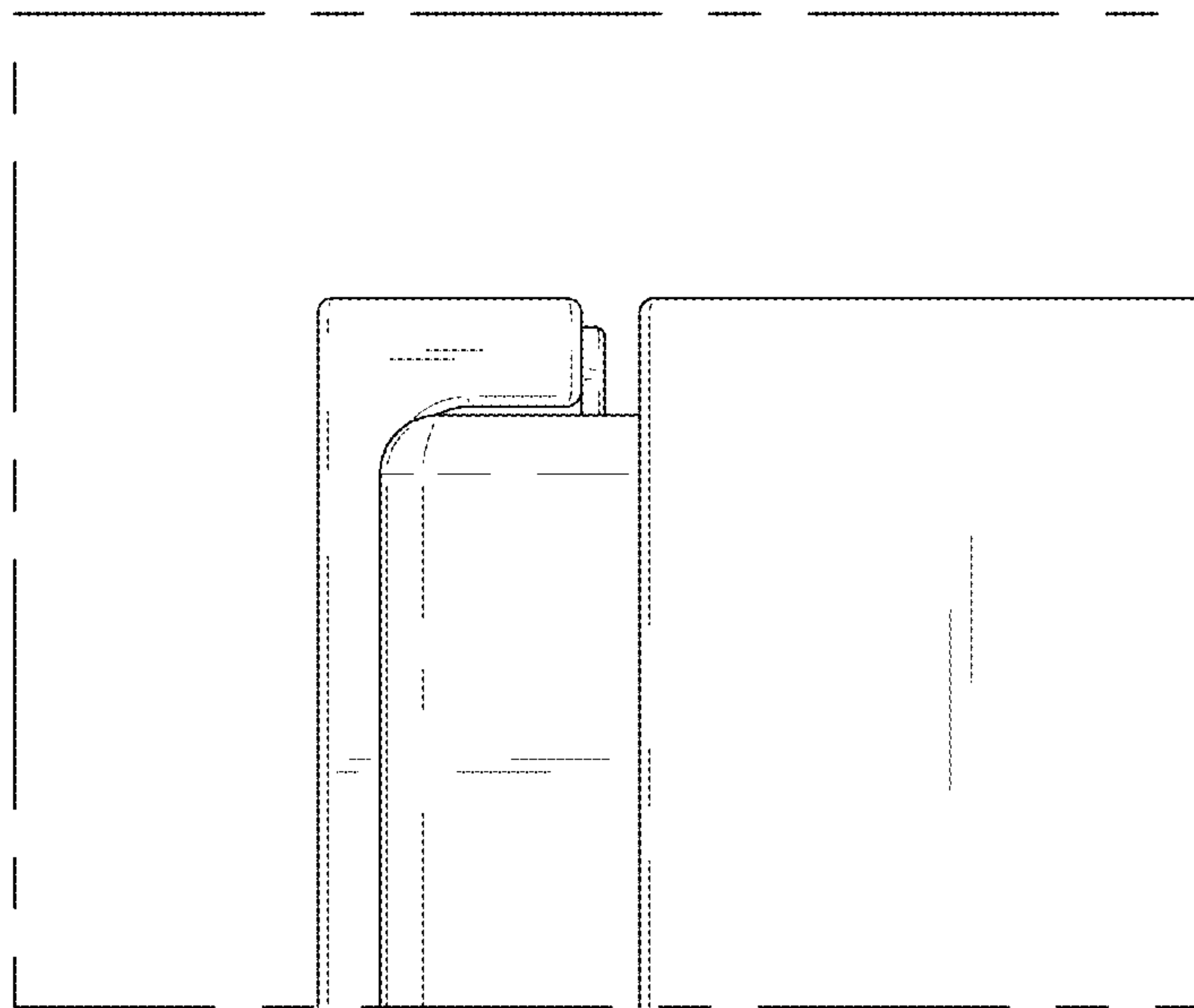


FIG. 27

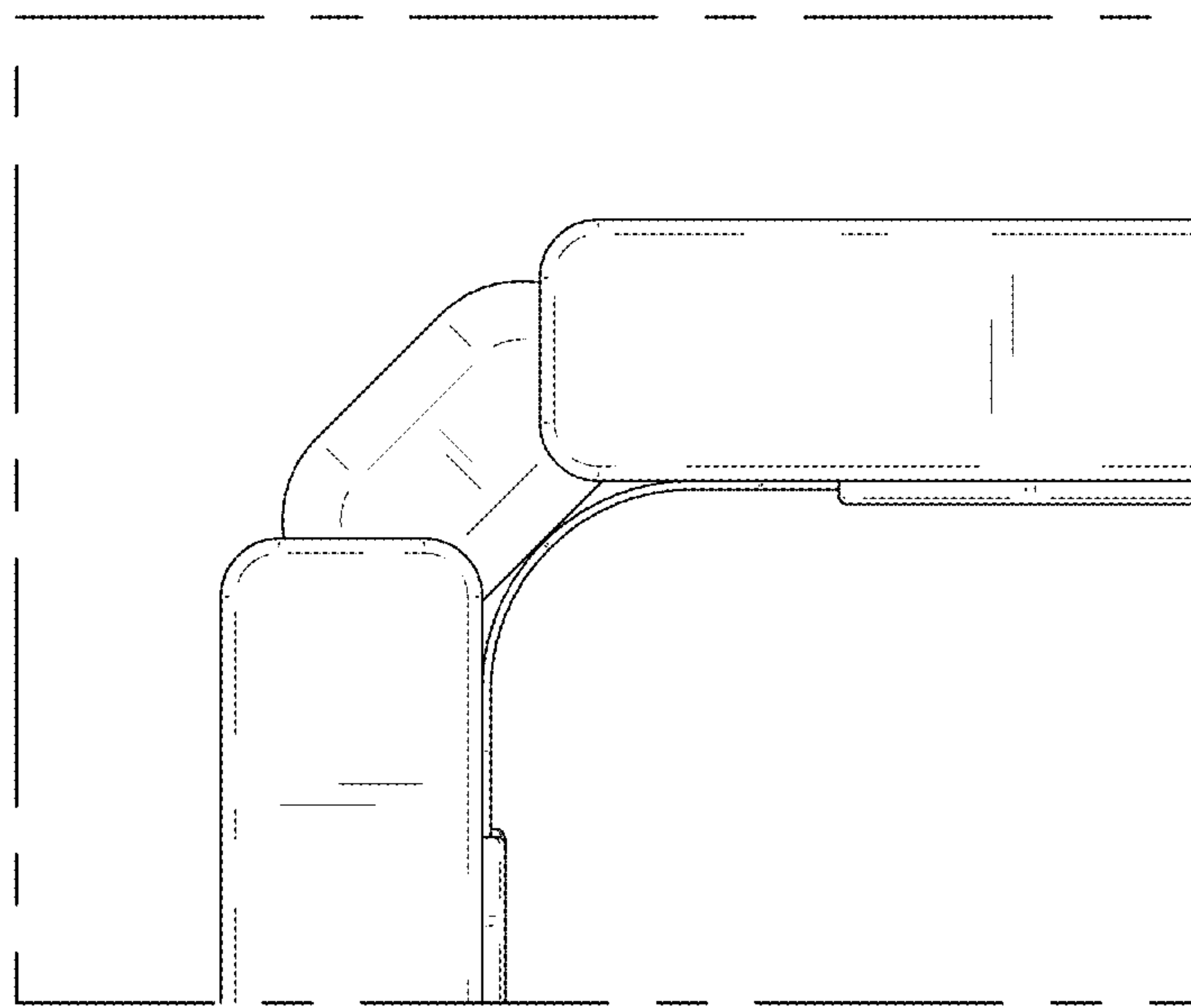


FIG. 28

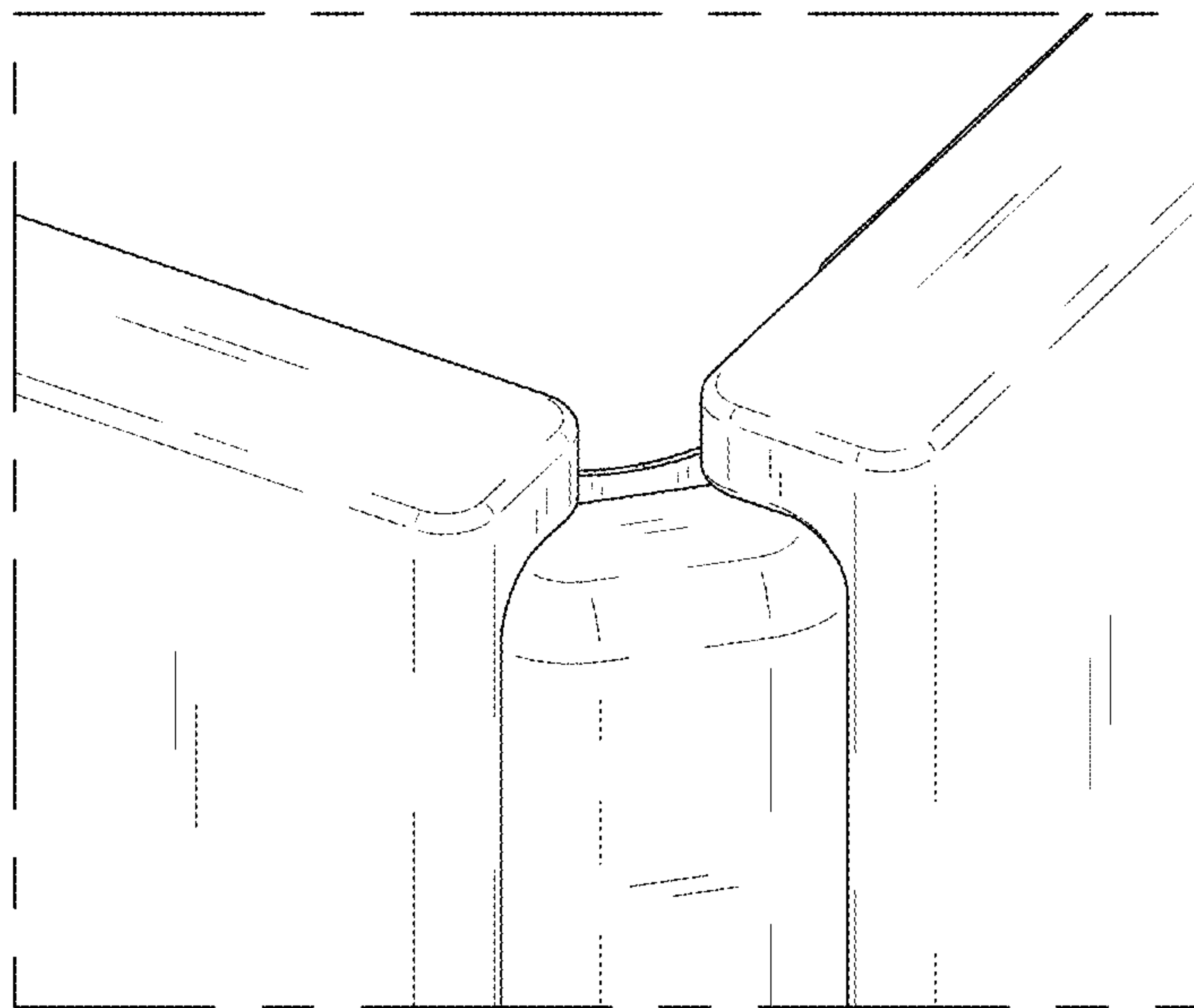


FIG. 29

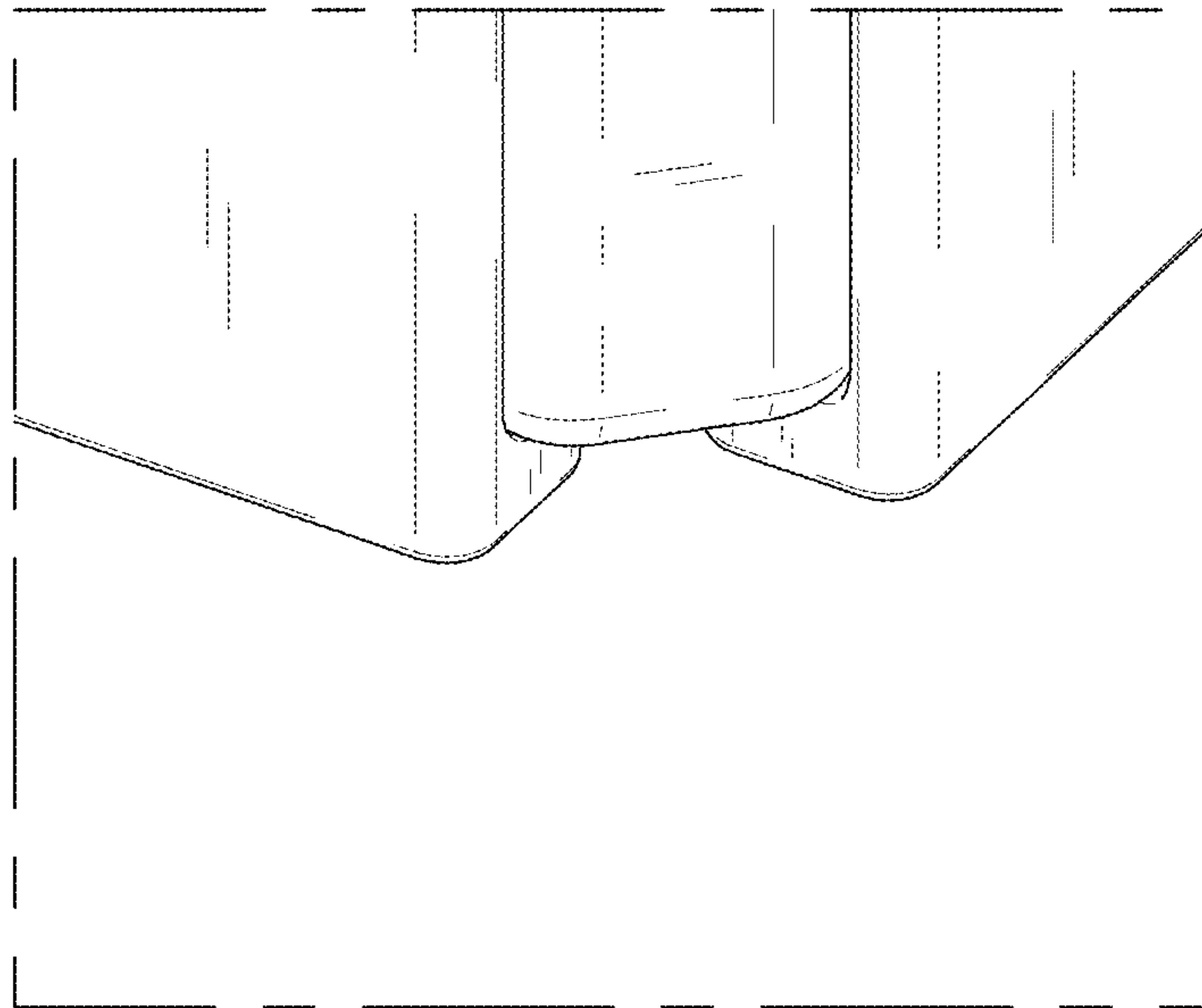


FIG. 30

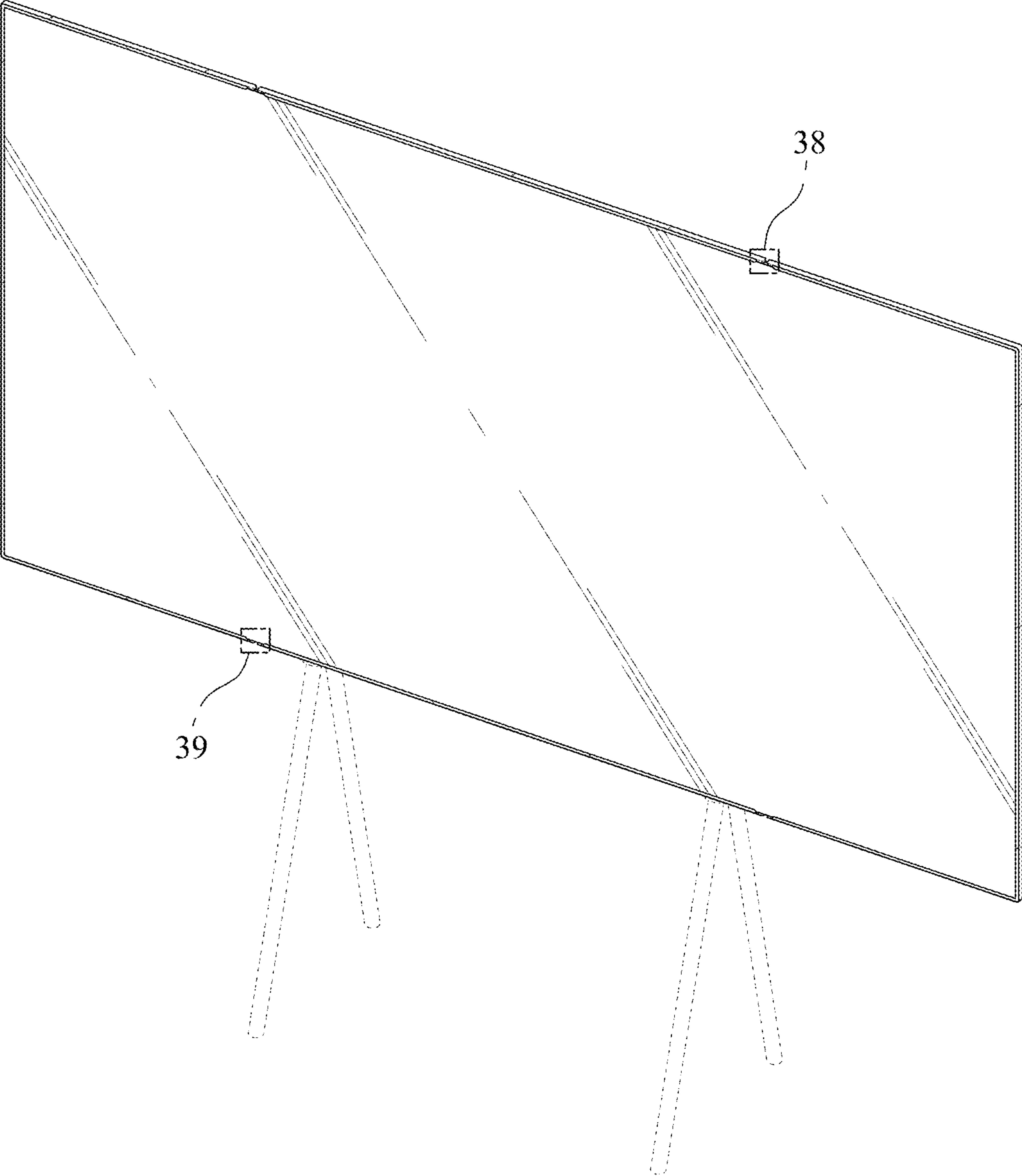


FIG. 31

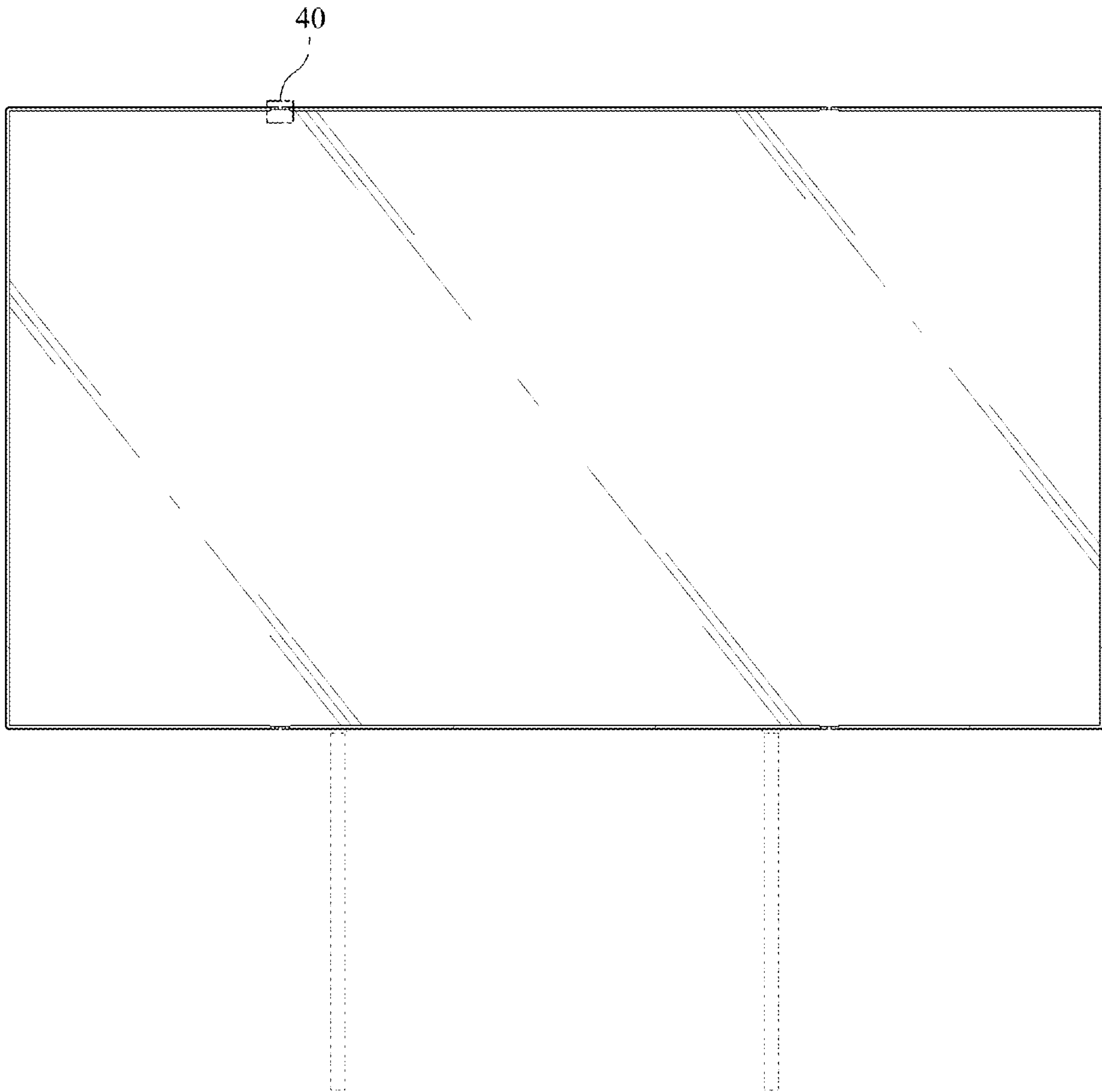


FIG. 32

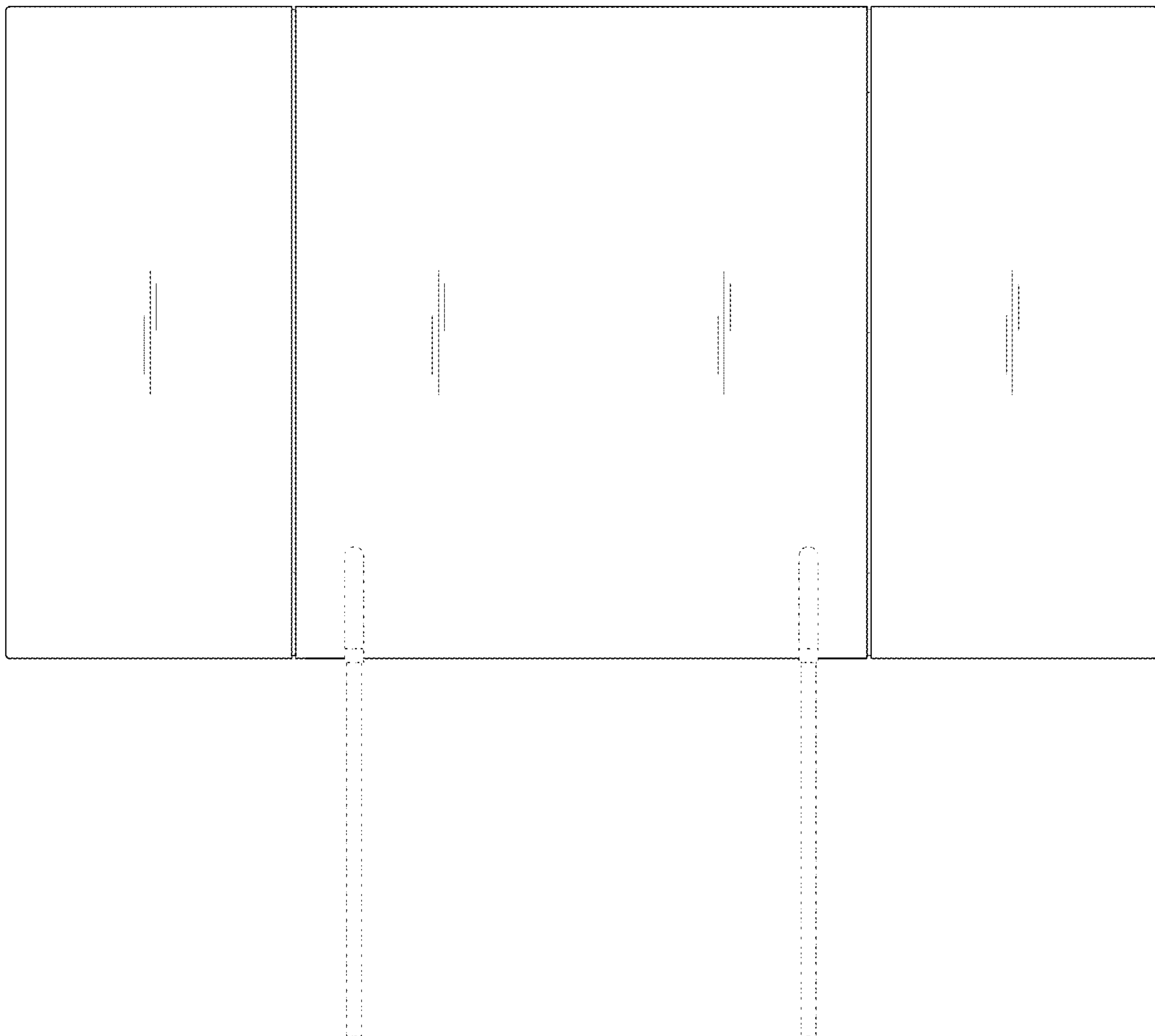


FIG. 33

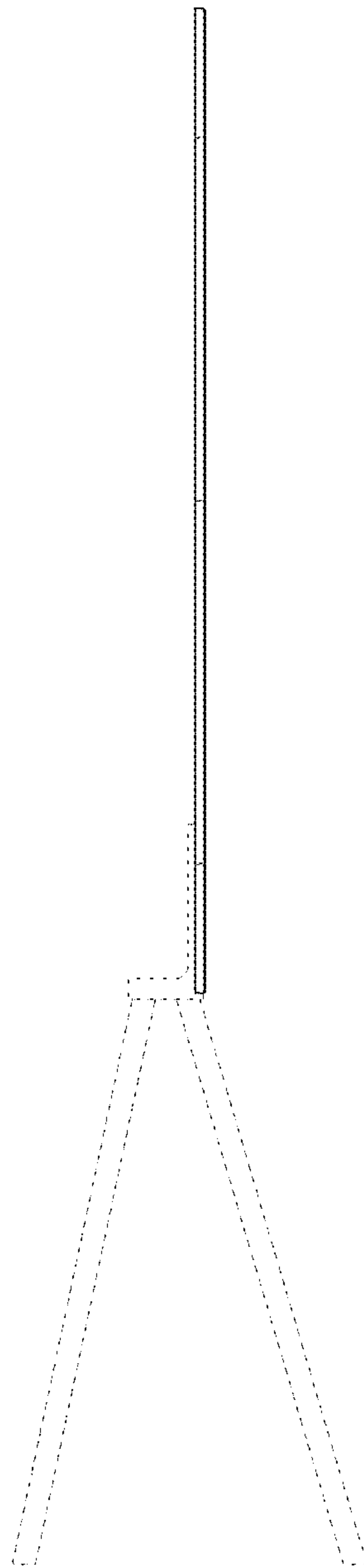


FIG. 34

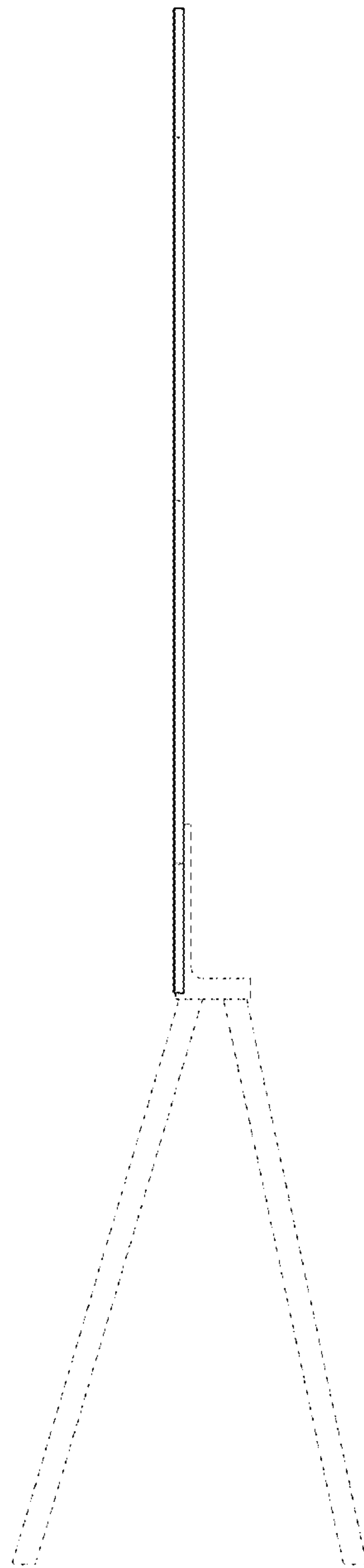


FIG. 35

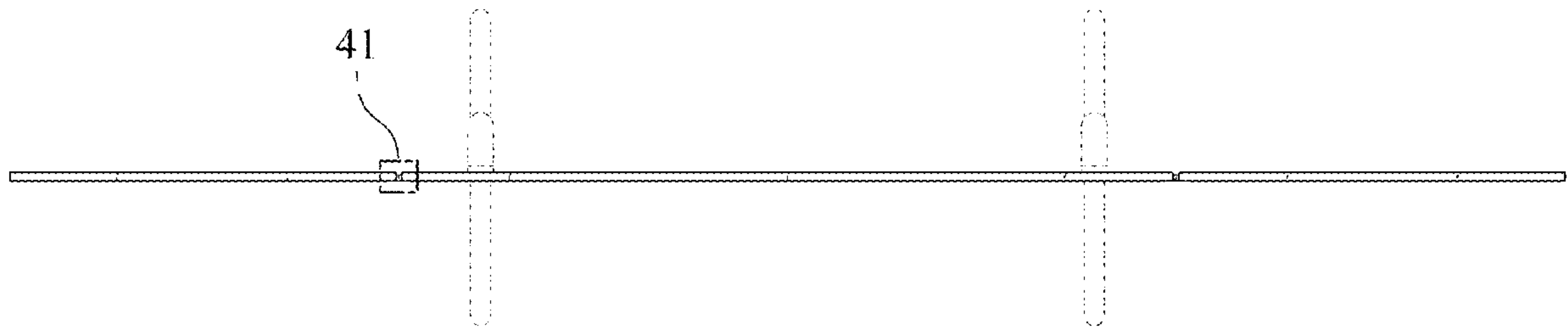


FIG. 36

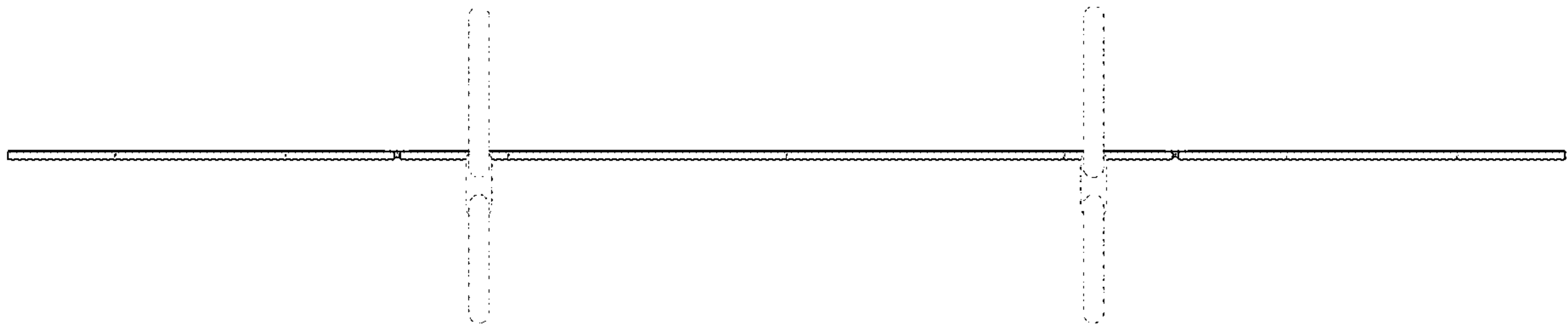


FIG. 37

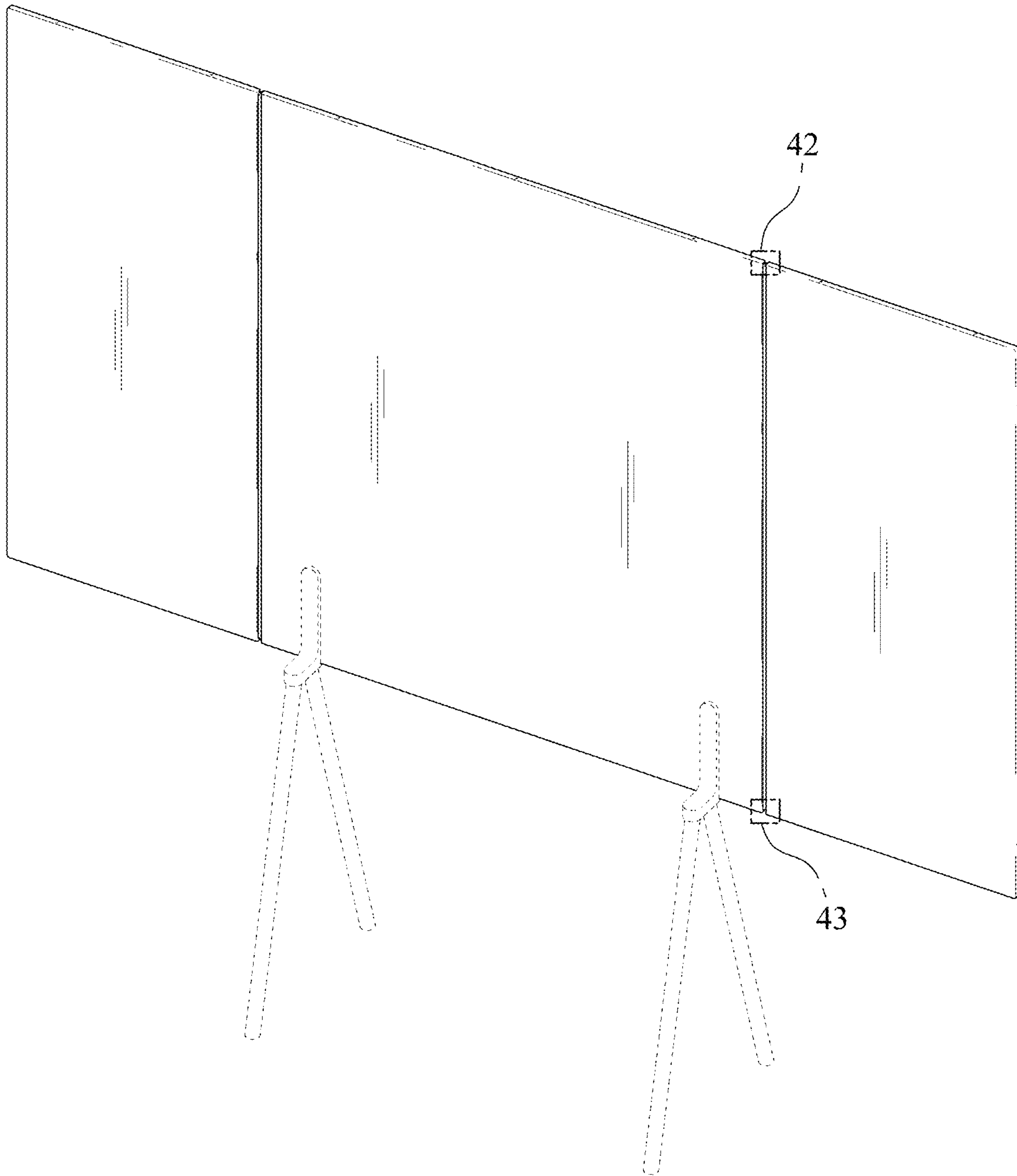


FIG. 38

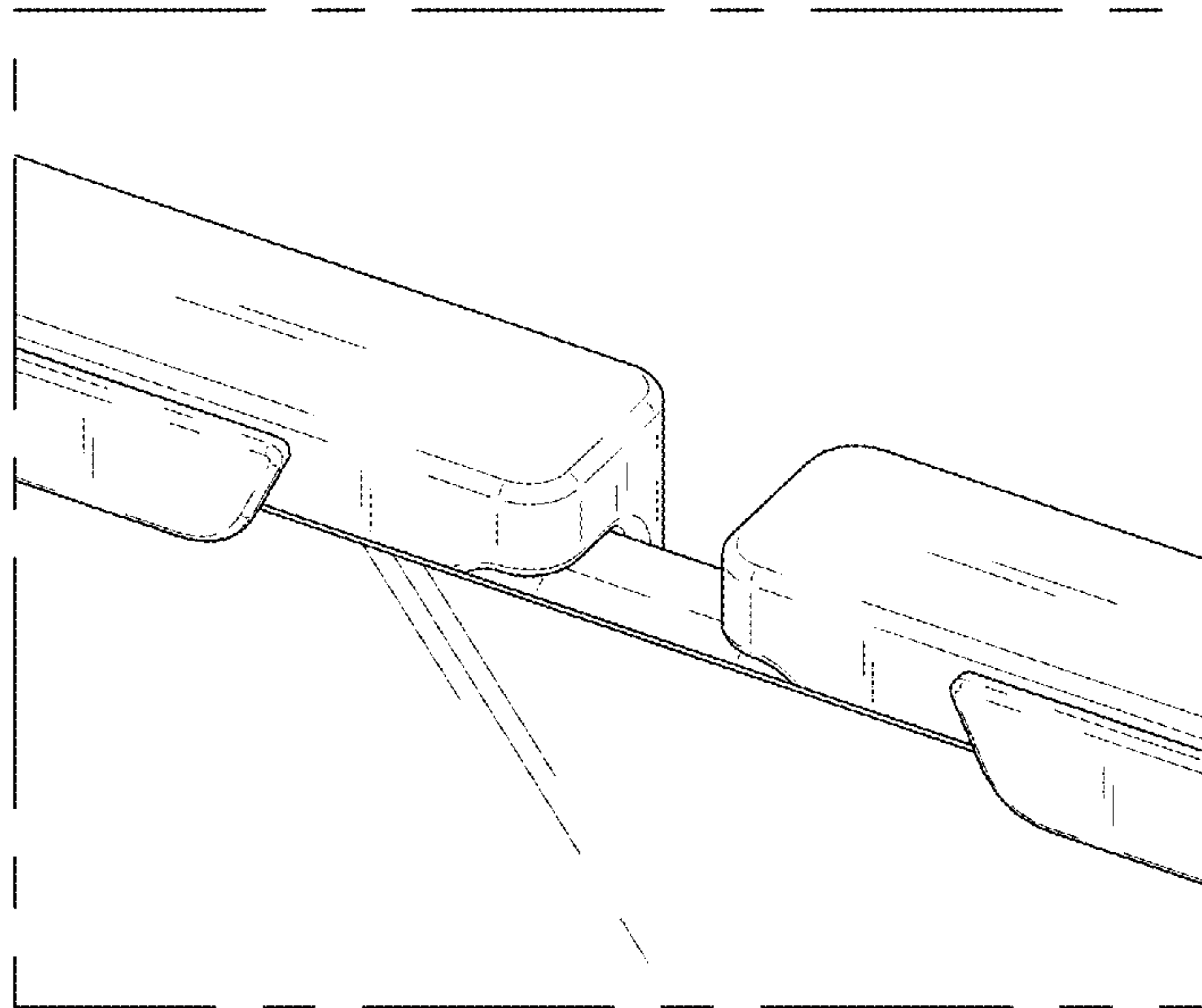


FIG. 39

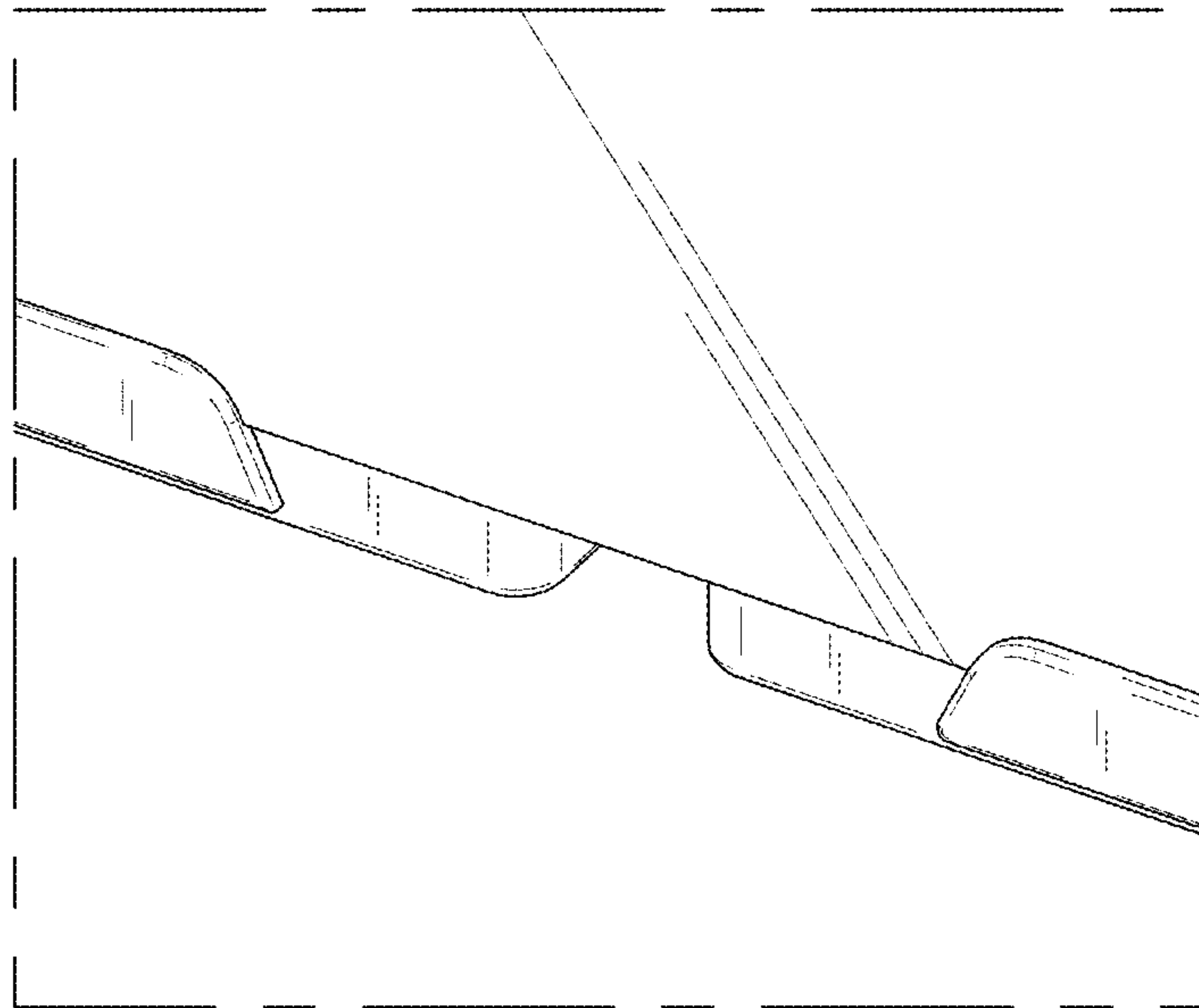


FIG. 40

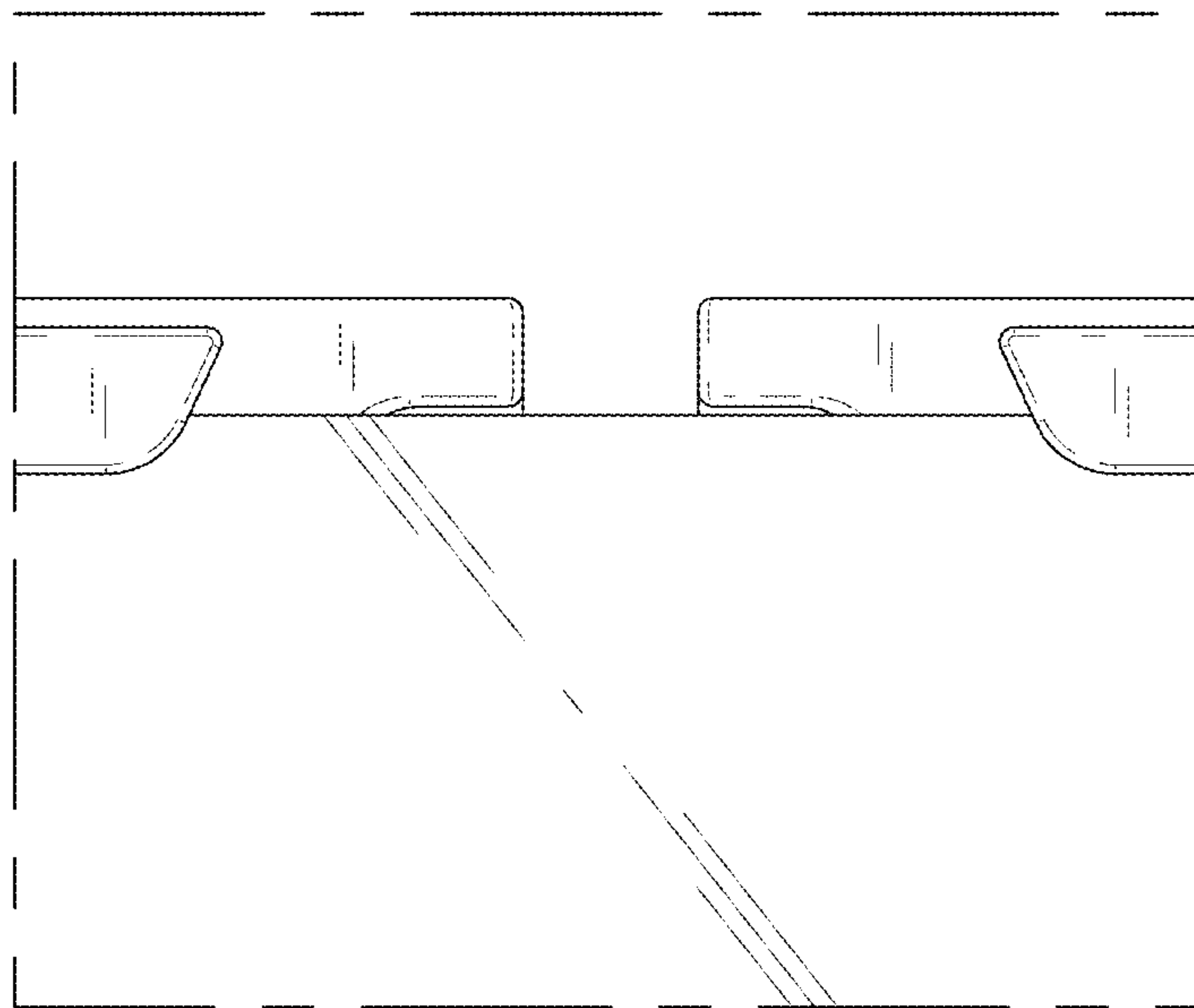


FIG. 41

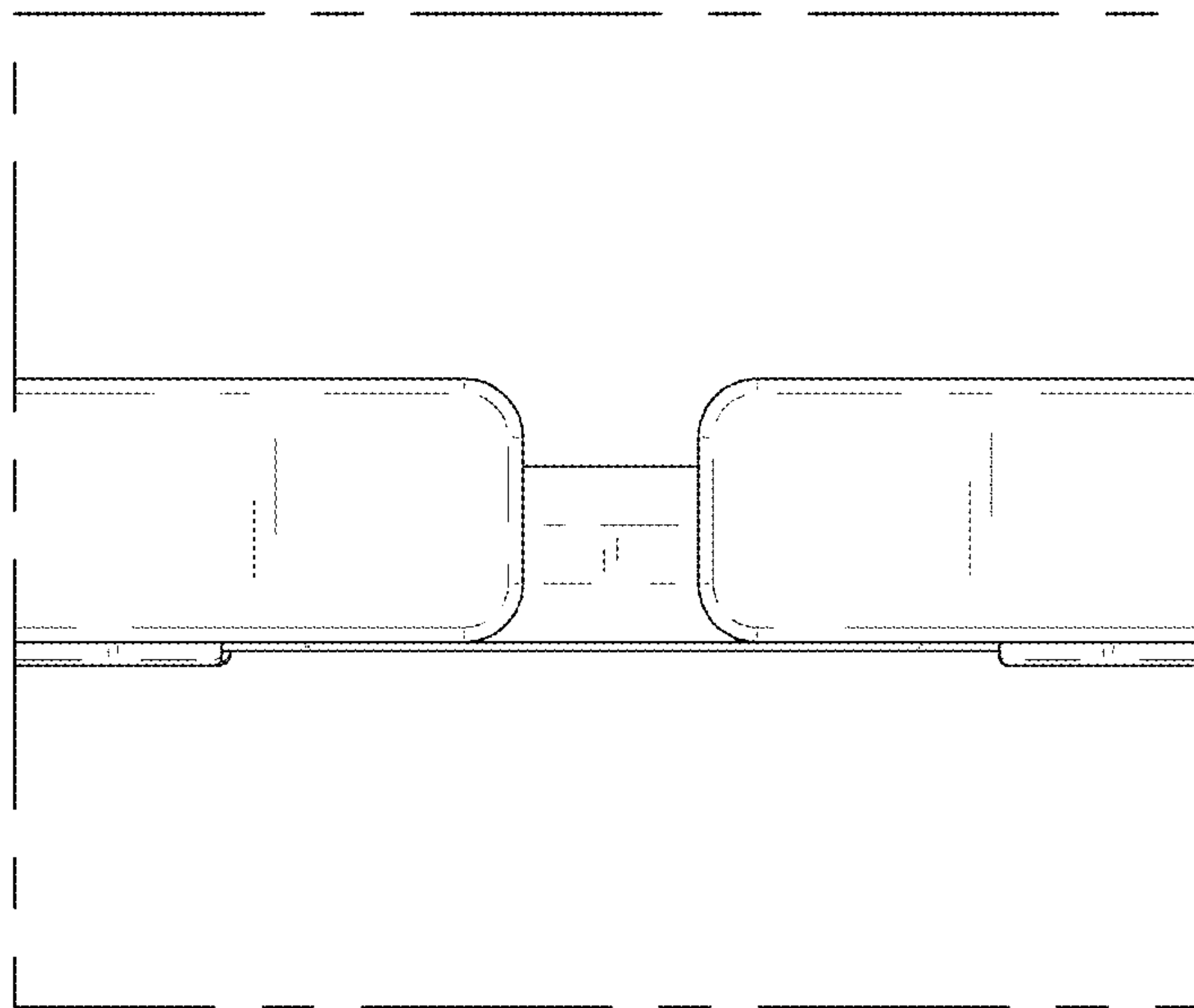


FIG. 42

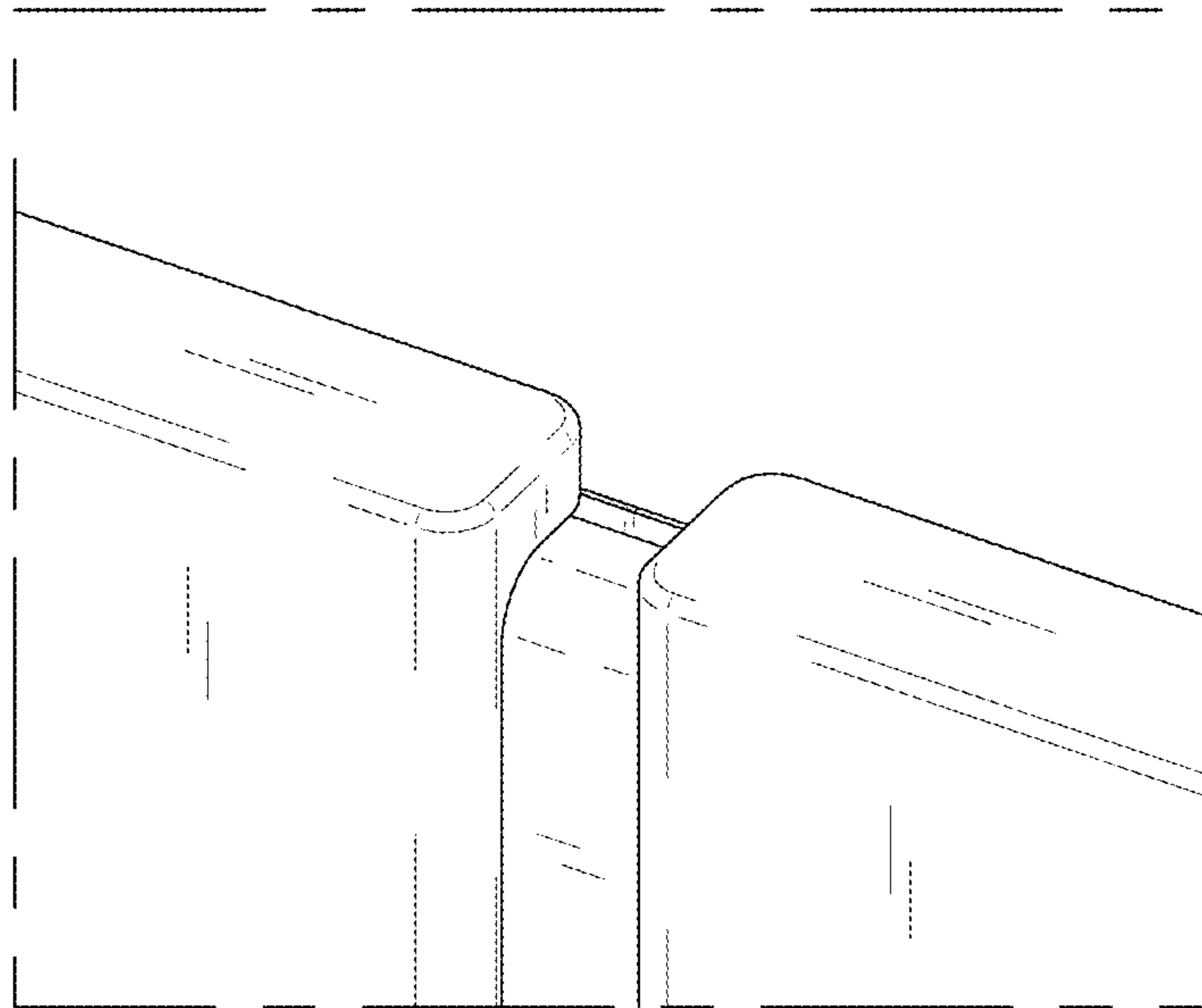


FIG. 43

