



US00D989014S

(12) **United States Design Patent**  
**McBride et al.**

(10) **Patent No.:** **US D989,014 S**  
(45) **Date of Patent:** **\*\* Jun. 13, 2023**

(54) **CIRCUIT BOARD**

H05K 1/00; H05K 7/1417; H05K 7/02;  
H05K 7/12; H05K 7/06; H01L 2924/14

(71) Applicant: **THE NOCO COMPANY**, Glenwillow, OH (US)

See application file for complete search history.

(72) Inventors: **James P. McBride**, Phoenix, AZ (US);  
**Matthew Michael Bosway**, Gilbert, AZ (US)

(56) **References Cited**

U.S. PATENT DOCUMENTS

(73) Assignee: **The Noco Company**, Glenwillow, OH (US)

(\*\*) Term: **15 Years**

(21) Appl. No.: **29/819,031**

(22) Filed: **Dec. 13, 2021**

D327,883	S	*	7/1992	Gloton	.....	D14/437
D328,599	S	*	8/1992	Gloton	.....	D14/437
D459,706	S	*	7/2002	Ebihara	.....	D13/182
D466,093	S	*	11/2002	Ebihara	.....	D13/182
D471,167	S	*	3/2003	Ebihara	.....	D13/182
D471,524	S	*	3/2003	Ebihara	.....	D13/182
D547,371	S	*	7/2007	Miller	.....	D20/40
D552,098	S	*	10/2007	Nishizawa	.....	D14/436
D637,193	S	*	5/2011	Andre	.....	D14/436
D639,756	S	*	6/2011	Greene, Jr.	.....	D13/182
D642,546	S	*	8/2011	Greene, Jr.	.....	D13/182
D669,478	S	*	10/2012	Lepp	.....	D14/436
D669,479	S	*	10/2012	Lepp	.....	D14/436
D673,921	S	*	1/2013	Ozawa	.....	D13/182

(Continued)

**Related U.S. Application Data**

(60) Division of application No. 29/767,479, filed on Jan. 22, 2021, now Pat. No. Des. 938,374, which is a continuation-in-part of application No. 29/704,995, filed on Sep. 9, 2019, now Pat. No. Des. 937,792, which is a continuation-in-part of application No. 29/705,008, filed on Sep. 9, 2019, now Pat. No. Des. 937,793, which is a continuation of application No. 16/564,758, filed on Sep. 9, 2019, now Pat. No. 11,251,507, and a continuation-in-part of application No. 16/564,758.

*Primary Examiner* — Elizabeth J Oswecki  
(74) *Attorney, Agent, or Firm* — Jones Day

(51) **LOC (14) Cl.** ..... **13-03**

(52) **U.S. Cl.**  
USPC ..... **D13/182**

(58) **Field of Classification Search**  
USPC ..... D13/182; 361/748, 752, 760, 761, 807, 361/808, 736, 719, 720; 174/250, 253, 174/255, 68.1; 363/144, 147  
CPC ..... H05K 3/30; H05K 3/301; H05K 3/284; H05K 3/303; H05K 1/18; H05K 1/181; H05K 1/182; H05K 1/183; H05K 1/185;

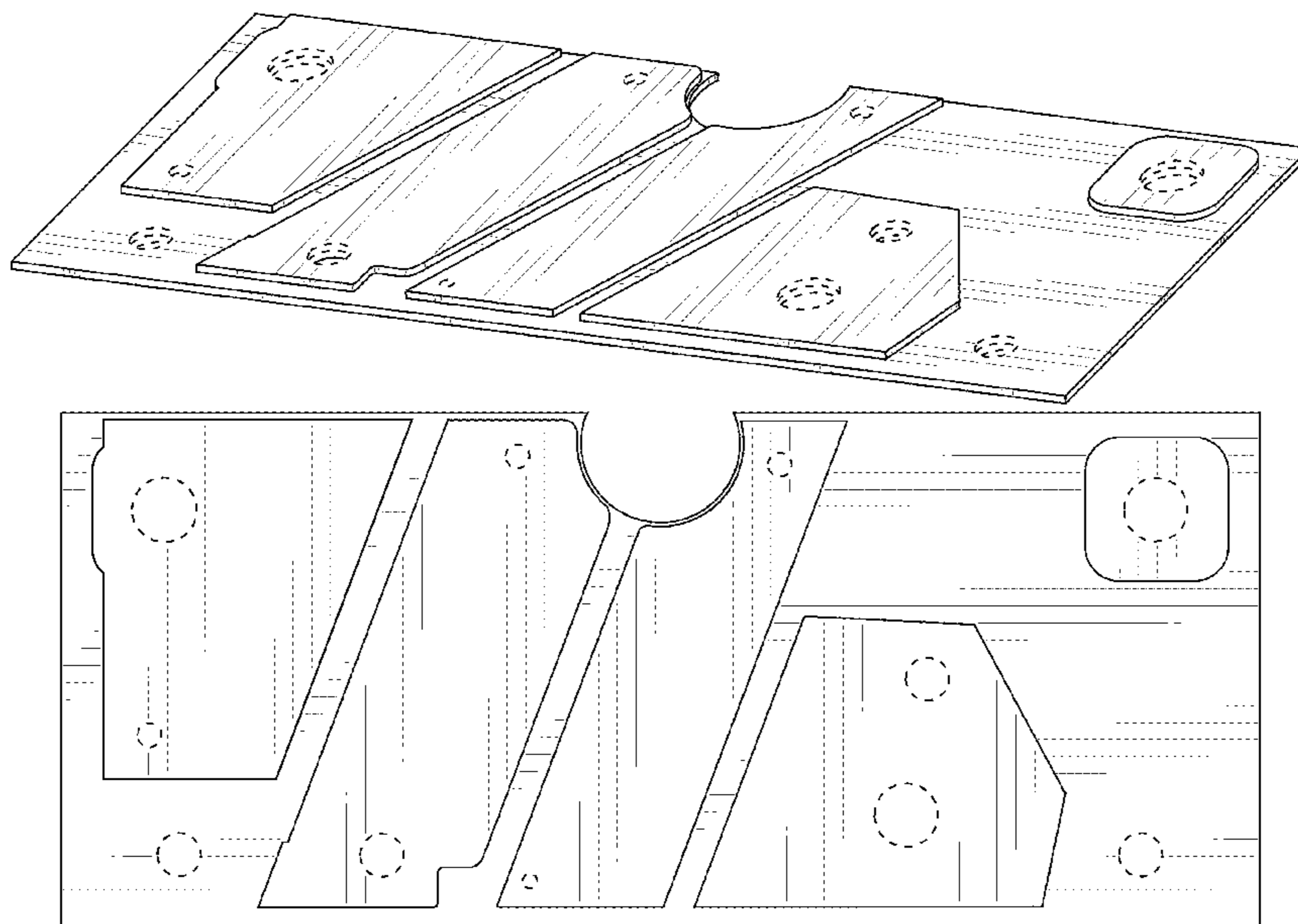
(57) **CLAIM**

The ornamental design for a circuit board, as shown and described.

**DESCRIPTION**

FIG. 1 is a perspective view of a circuit board showing our new design;  
FIG. 2 is a front elevational view thereof;  
FIG. 3 is a right side elevational view thereof;  
FIG. 4 is a left side elevational view thereof;  
FIG. 5 is a top plan view thereof; and,  
FIG. 6 is a bottom plan view thereof.  
The broken lines shown in the drawings illustrate unclaimed portions and form no part of the claimed design.  
All surfaces not shown form no part of the claimed design.

**1 Claim, 6 Drawing Sheets**



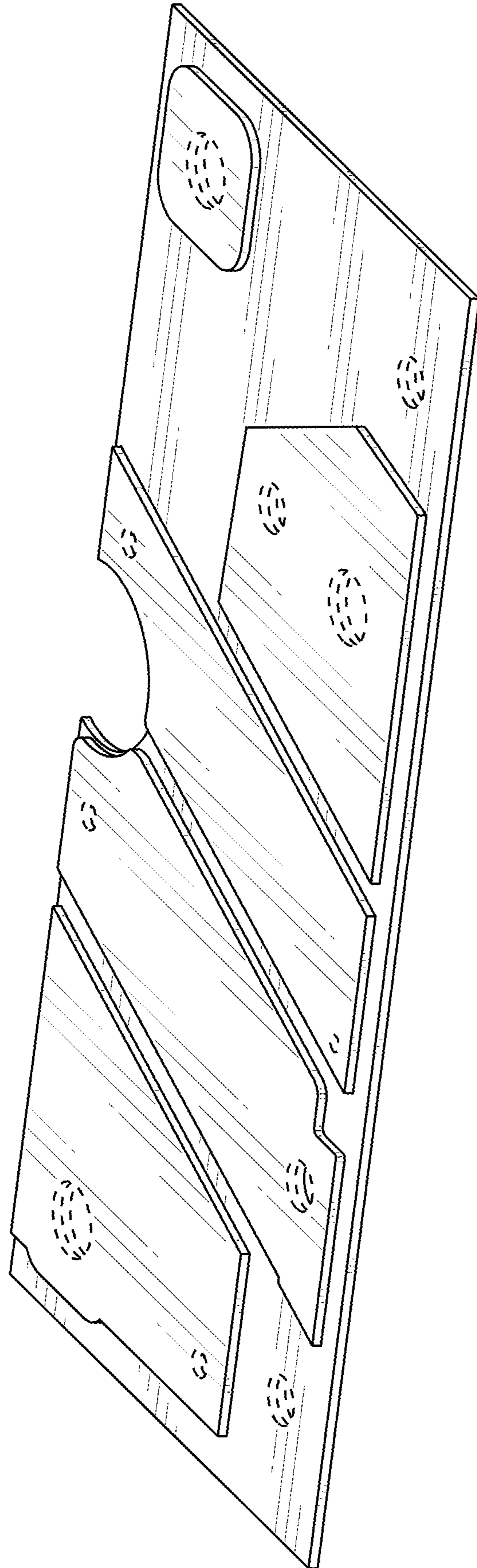
(56)

References Cited

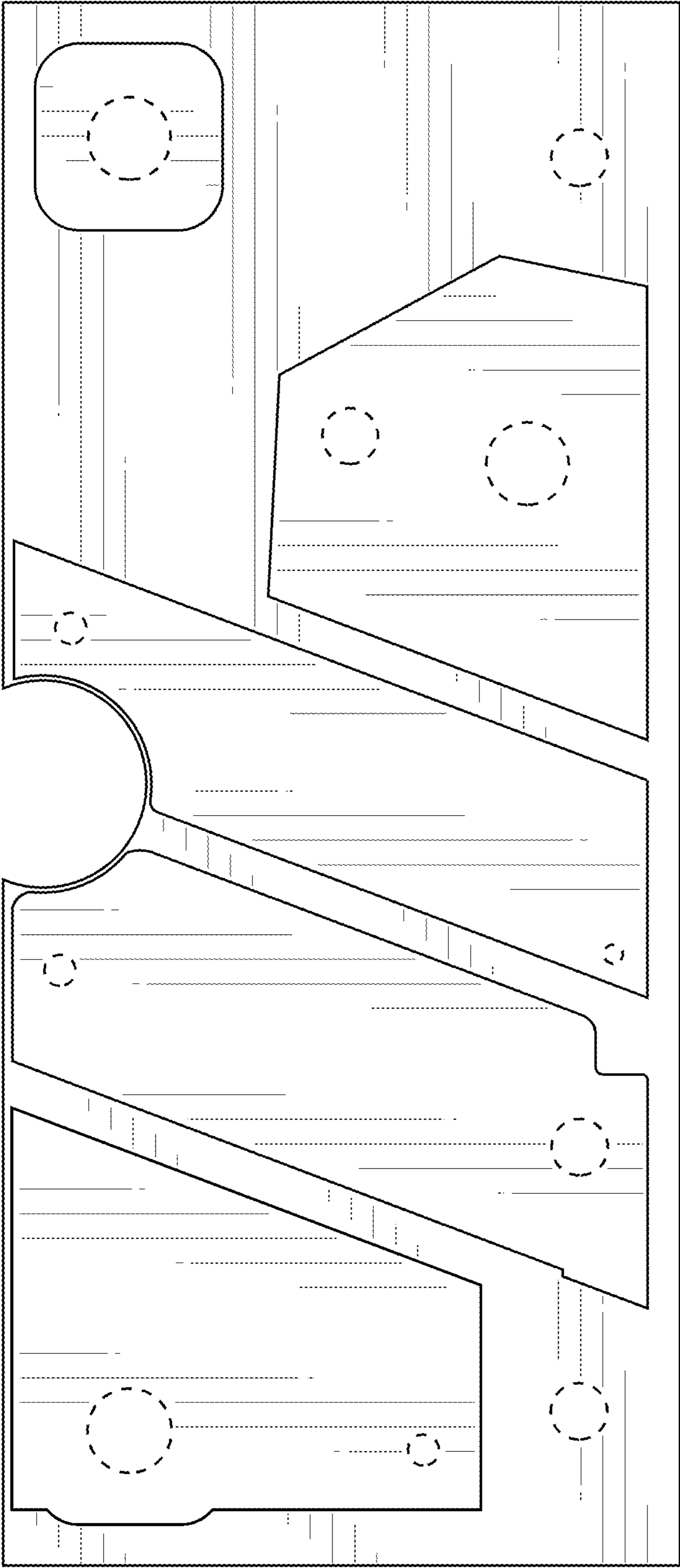
U.S. PATENT DOCUMENTS

D673,922 S *	1/2013	Moriai	.....	D13/182	D869,469 S *	12/2019	Lim	.....	D14/435
D690,672 S *	10/2013	Yoshida	.....	D13/182	D869,470 S *	12/2019	Lim	.....	D14/435
D734,756 S *	7/2015	Stone	.....	D14/436	D872,032 S *	1/2020	Morelli	.....	D13/147
D735,203 S *	7/2015	Kim	.....	D14/435	D872,033 S *	1/2020	Morelli	.....	D13/147
D735,204 S *	7/2015	Kim	.....	D14/435	D893,439 S *	8/2020	Vasoya	.....	D13/182
D736,212 S *	8/2015	Kang	.....	D14/436	D902,164 S *	11/2020	Kondo	.....	D13/182
D736,213 S *	8/2015	Kang	.....	D14/436	D909,319 S *	2/2021	Nordeen	.....	D13/182
D736,216 S *	8/2015	Kang	.....	D14/436	D930,601 S	9/2021	McBride et al.		
D739,856 S *	9/2015	Kang	.....	D14/436	D937,792 S	12/2021	McBride et al.		
D757,015 S *	5/2016	Amit	.....	D14/435	D937,793 S	12/2021	McBride et al.		
D759,022 S *	6/2016	Beals	.....	D14/437	D938,374 S	12/2021	McBride et al.		
D772,232 S *	11/2016	Cho	.....	D14/436	D944,219 S	2/2022	McBride et al.		
D783,621 S *	4/2017	Lee	.....	D14/436	D949,117 S	4/2022	McBride et al.		
D813,182 S *	3/2018	Imai	.....	D13/182	D958,762 S	7/2022	McBride et al.		
D814,473 S *	4/2018	Kadonaga	.....	D14/436	2001/0007727 A1	7/2001	Bolstad et al.		
D837,171 S *	1/2019	Vasoya	.....	D13/182	2003/0081387 A1	5/2003	Schulz		
D848,432 S *	5/2019	Lim	.....	D14/435	2006/0097374 A1	5/2006	Egawa		
D856,948 S *	8/2019	Vasoya	.....	D13/182	2009/0268390 A1	10/2009	King et al.		
D864,968 S *	10/2019	Beals	.....	D14/437	2010/0330404 A1	12/2010	Nishino et al.		
					2012/0082875 A1	4/2012	Watanabe et al.		
					2012/0308849 A1	12/2012	Tortstenson et al.		

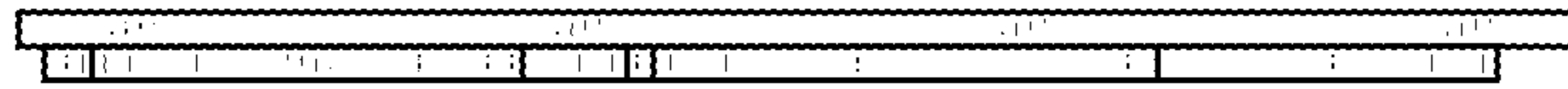
\* cited by examiner



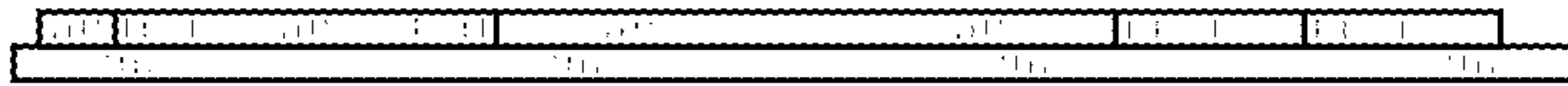
**FIG. 1**



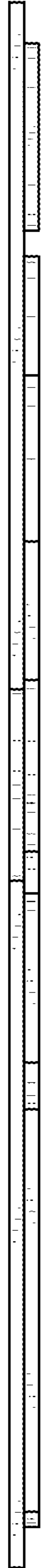
**FIG. 2**



**FIG. 3**



**FIG. 4**



**FIG. 5**



**FIG. 6**