



US00D989013S

(12) **United States Design Patent**
Lee et al.

(10) **Patent No.:** **US D989,013 S**
(45) **Date of Patent:** **** Jun. 13, 2023**

(54) **SEMICONDUCTOR DEVICE**
(71) Applicant: **DONG WOON ANATECH CO., LTD**, Seoul (KR)
(72) Inventors: **Yu-Hwang Lee**, Seoul (KR);
Jung-Hyun Eum, Seoul (KR);
Ho-Cheol Jang, Seoul (KR)
(73) Assignee: **DONG WOON ANATECH CO., LTD**, Seoul (KR)

10,636,703 B2 * 4/2020 Jeong H01L 24/04
D933,618 S * 10/2021 Shirata D13/182
D973,030 S * 12/2022 Lee D13/182
2008/0061415 A1 * 3/2008 Morishita H01L 25/03
257/E21.705
2014/0311569 A1 * 10/2014 Chen H01L 31/0543
136/259

(**) Term: **15 Years**

(21) Appl. No.: **29/801,963**

(22) Filed: **Aug. 2, 2021**

(30) **Foreign Application Priority Data**

Jun. 18, 2021 (KR) 30-2021-0029133

(51) **LOC (14) Cl.** **13-03**

(52) **U.S. Cl.**
USPC **D13/182**

(58) **Field of Classification Search**
USPC D13/123, 154, 173, 178, 182, 184, 199;
D15/144, 144.1, 199
CPC H01L 21/67303; H01L 21/67306; H01L
21/67309; H01L 21/67126; H01L
21/67757; H01L 21/67748; H01L 21/683;
H01L 21/68728; H01L 21/6875; H01L
51/56; H01L 51/0001; H01L 43/12; H01L
43/22; H01L 31/18; H01L 35/34; H01L
39/24; C23C 16/44; C23C 16/45; C30B
25/10

See application file for complete search history.

(56) **References Cited**

U.S. PATENT DOCUMENTS

D523,403 S * 6/2006 Mizukoshi D13/182
D591,244 S * 4/2009 Birmingham D13/133

FOREIGN PATENT DOCUMENTS

KR 3020210008930 * 2/2021

OTHER PUBLICATIONS

Lego Classic Creator Bricks, dated Mar. 5, 2015, [online], [site visited Mar. 29, 2023]. Available from Internet, URL: <https://www.amazon.com/LEGO-Classic-Large-Creative-Brick/dp/B00NHQF6MG> (Year: 2015).*

* cited by examiner

Primary Examiner — Shawn T Gingrich

Assistant Examiner — Caleb M Baker

(74) *Attorney, Agent, or Firm* — Paratus Law Group, PLLC

(57) **CLAIM**

The ornamental design for a semiconductor device, as shown and described.

DESCRIPTION

FIG. 1 is a front, top, and right-side perspective view of a semiconductor device showing our new design;

FIG. 2 is a front view thereof;

FIG. 3 is a back view thereof;

FIG. 4 is a left-side view thereof;

FIG. 5 is a right-side view thereof;

FIG. 6 is a top view thereof; and,

FIG. 7 is a bottom view thereof.

1 Claim, 2 Drawing Sheets

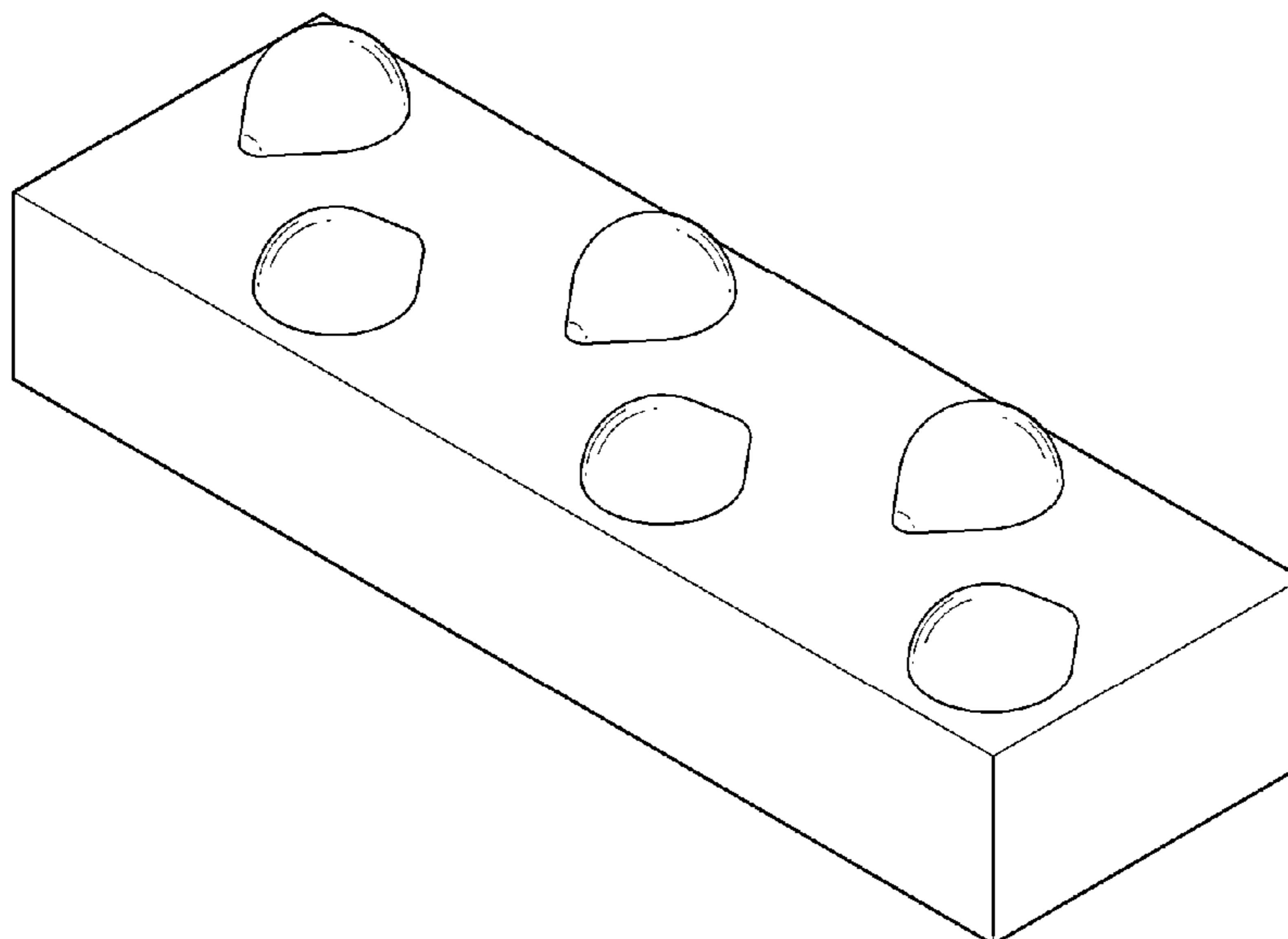


FIG. 1

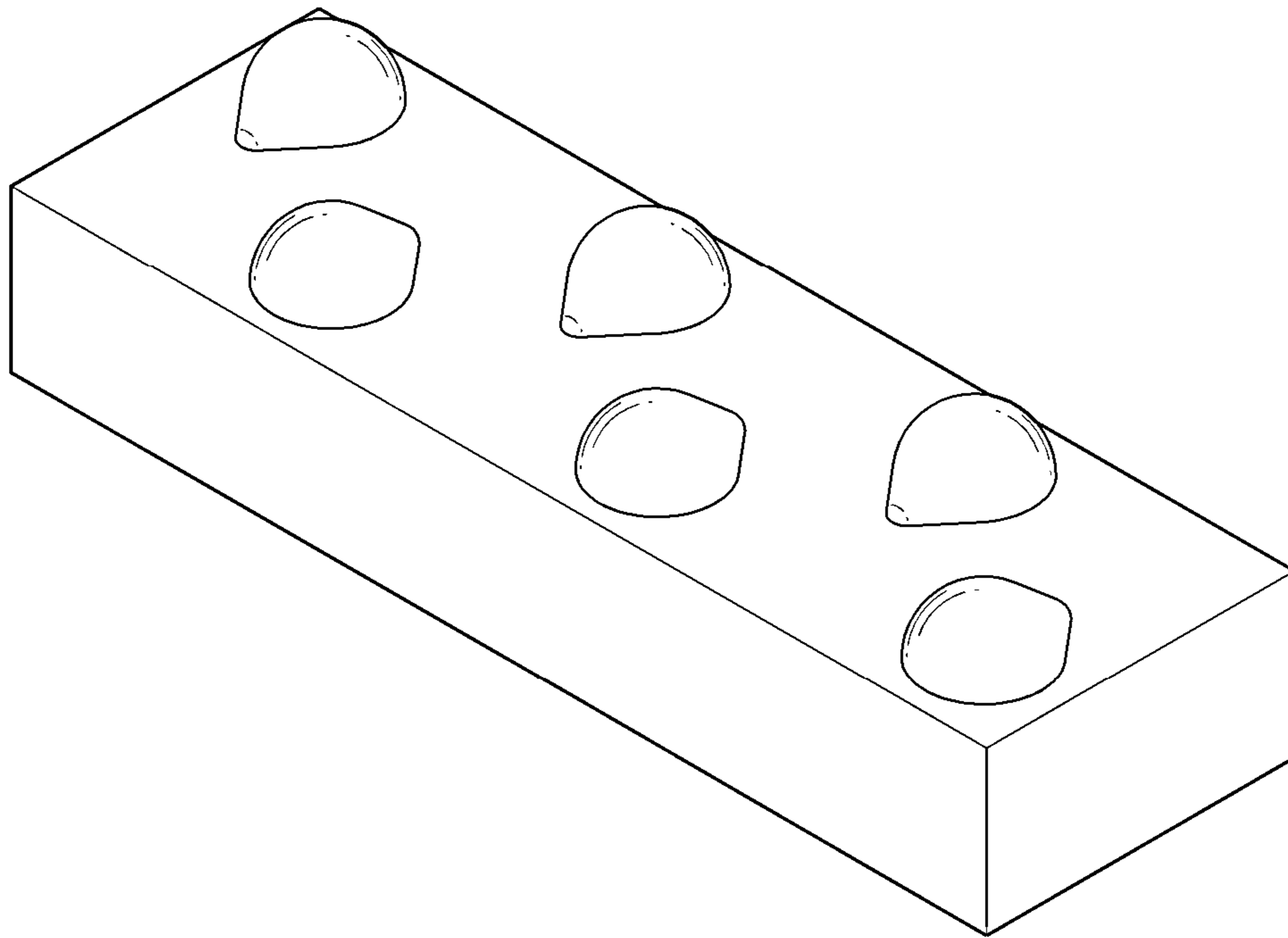


FIG. 2

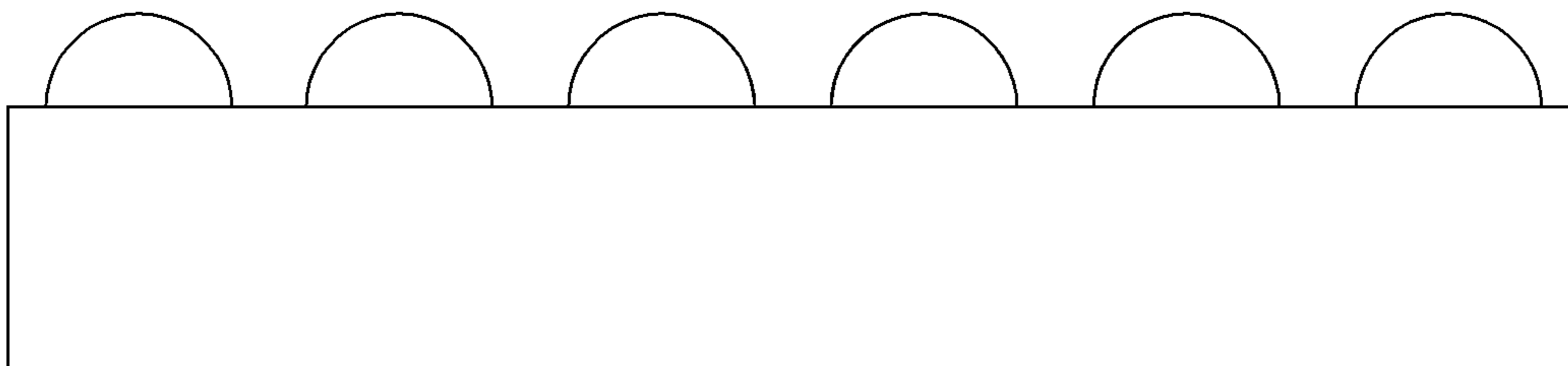


FIG. 3

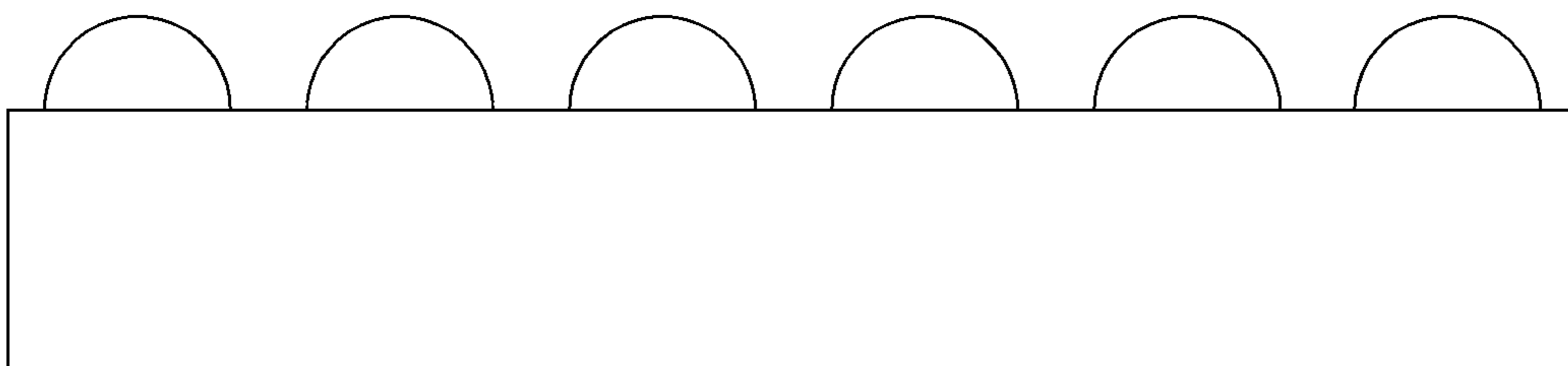


FIG. 4

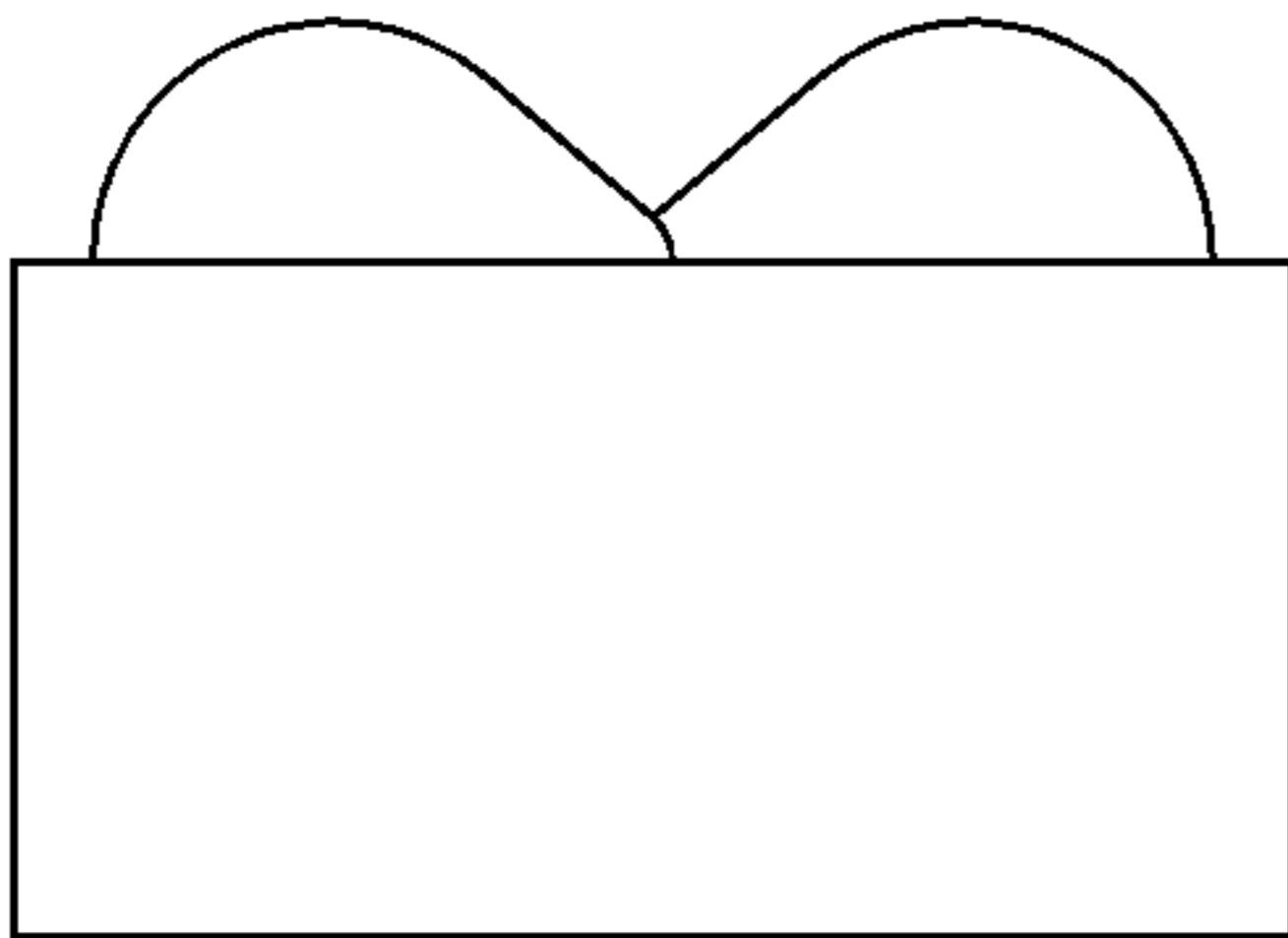


FIG. 5

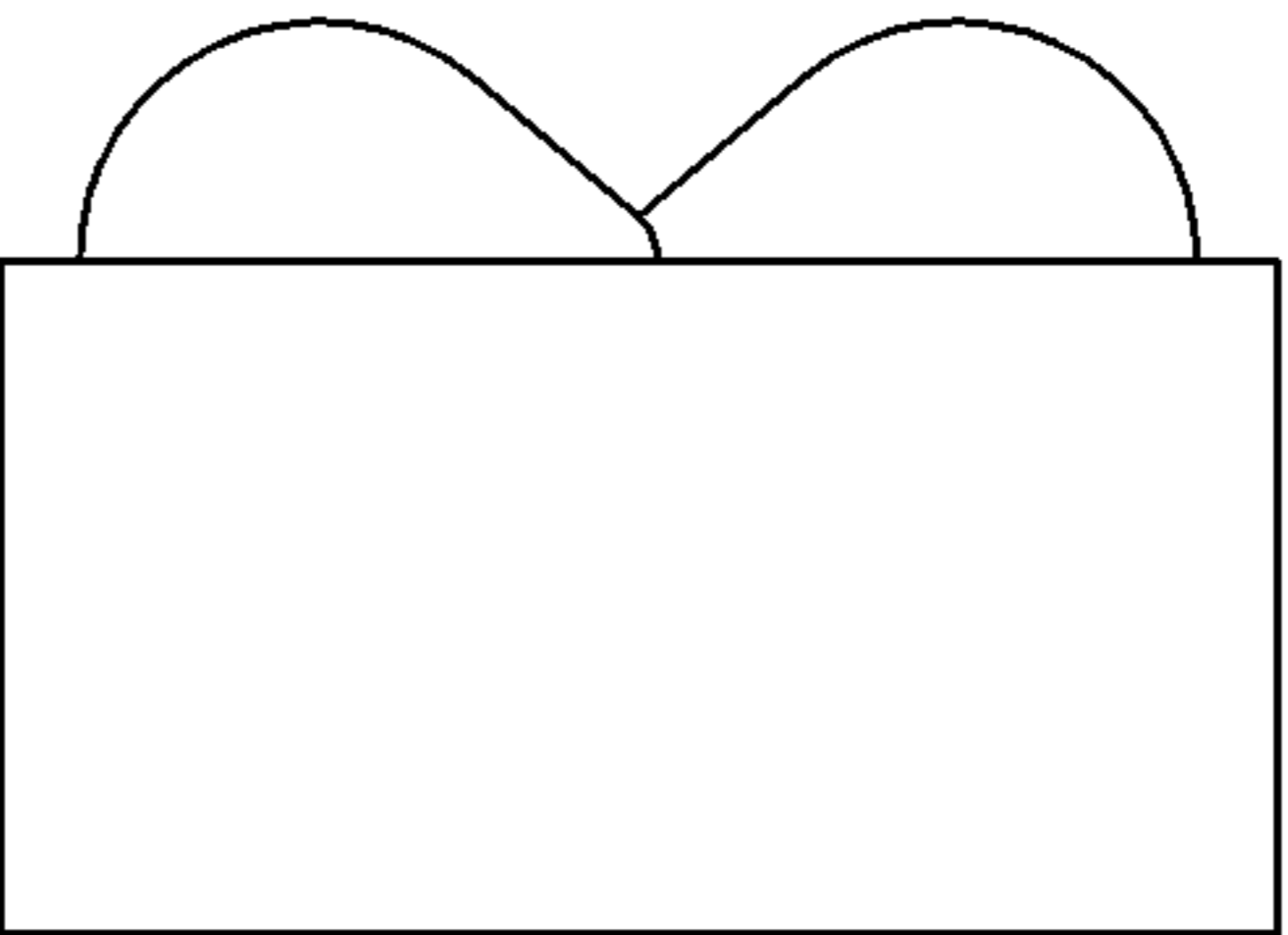


FIG. 6

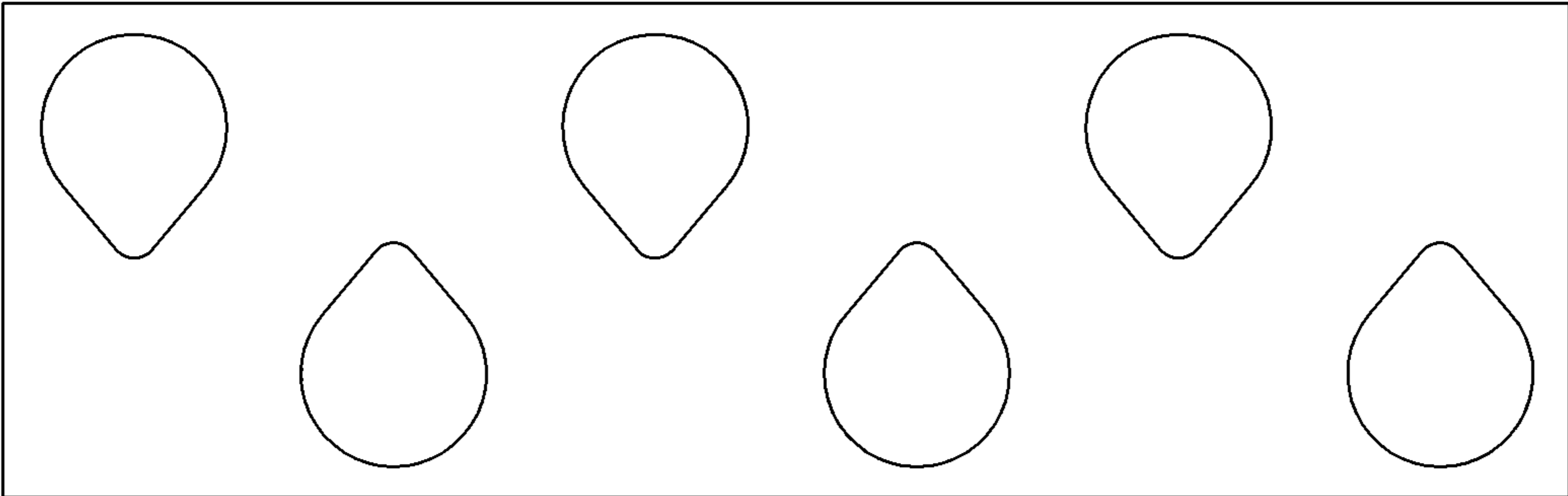


FIG. 7

