

US00D989011S

(12) **United States Design Patent** (10) **Patent No.:** **US D989,011 S**
Iino (45) **Date of Patent:** **** Jun. 13, 2023**

(54) **LIGHT EMITTING DIODE** D707,192 S 6/2014 Hussell et al.
9,029,905 B2 * 5/2015 Lin H01L 24/48
257/99
(71) Applicants: **CITIZEN ELECTRONICS CO., LTD.,** Fujiyoshida (JP); **CITIZEN WATCH CO., LTD.,** Nishitokyo (JP) D767,515 S 9/2016 Eguchi et al.
D770,062 S * 10/2016 Peng D26/1
(Continued)

(72) Inventor: **Takashi Iino**, Fuefuki (JP) FOREIGN PATENT DOCUMENTS
(73) Assignees: **Citizen Electronics Co., Ltd.,** JP D1627289 S 3/2019
Fujiyoshida (JP); **Citizen Watch Co., Ltd.,** Nishitokyo (JP) JP D1627290 S 3/2019
JP D1628299 S 4/2019

(**) Term: **15 Years** OTHER PUBLICATIONS

(21) Appl. No.: **29/800,860** Luminus CHM-11-XH20 Product Datasheet "Generation 2 CHM-11-XH20 LED High Density White COB Array" Published on the website: https://download.luminus.com/datasheets/Luminus_CHM-11-XH20_GEN2_Datasheet.pdf (2018) Luminus Devices, Inc.
(22) Filed: **Jul. 23, 2021** (Continued)
(30) **Foreign Application Priority Data**

Jan. 26, 2021 (JP) 2021-001633 D
(51) **LOC (14) Cl.** **13-03**
(52) **U.S. Cl.**
USPC **D13/180**

(58) **Field of Classification Search**
USPC D13/180; D24/1
CPC ... H01L 25/167; H01L 25/0753; H01L 27/15; H01L 27/156; H01L 31/02; H01L 33/00; H01L 33/04; H01L 33/08; H01L 33/10; H01L 33/20; H01L 33/38; H01L 33/42; H01L 33/48; H01L 33/483; H01L 33/486
See application file for complete search history.

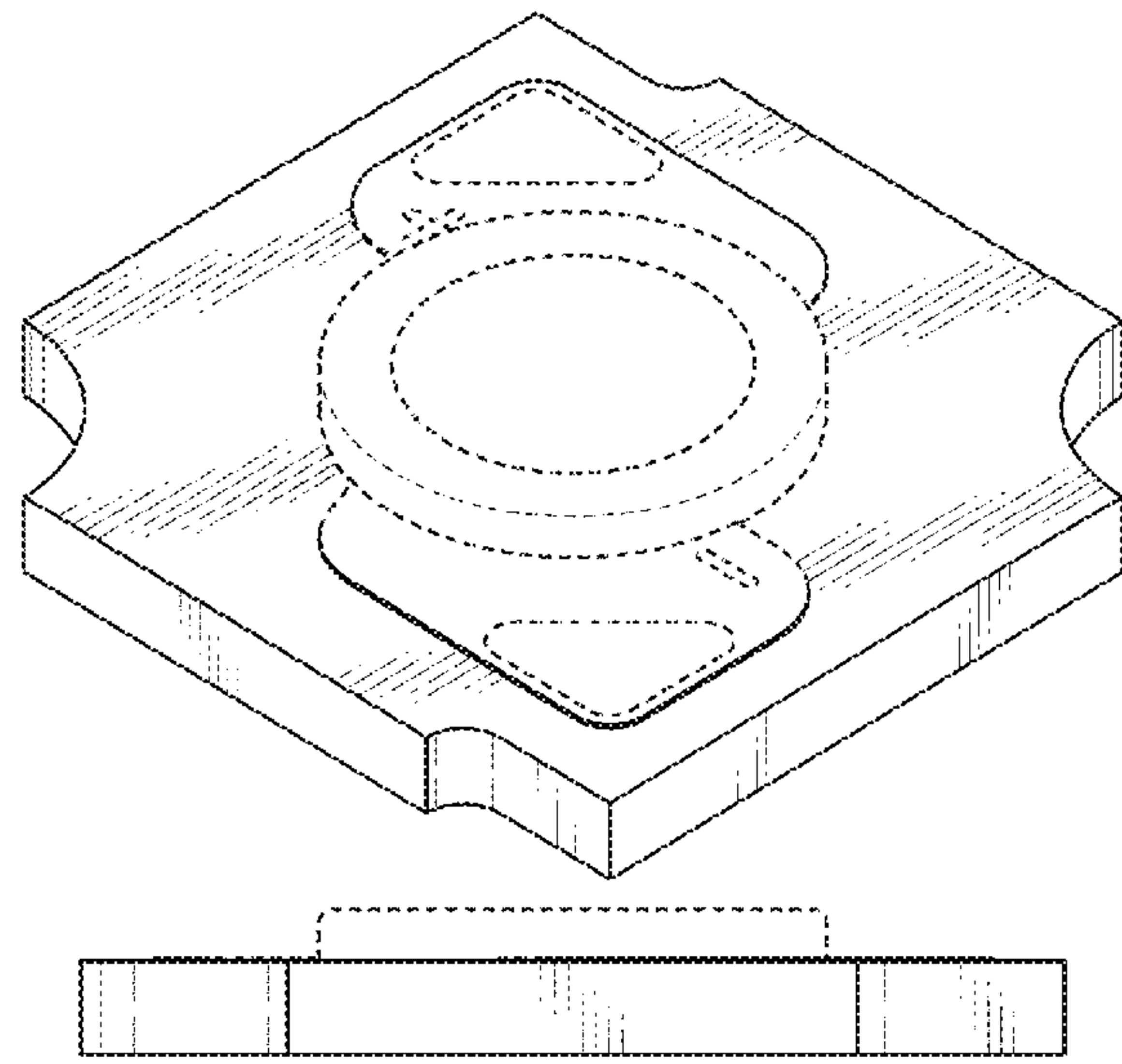
(56) **References Cited**
U.S. PATENT DOCUMENTS
D536,309 S * 2/2007 Muguruma D13/180
D615,052 S * 5/2010 Imai D13/180
8,455,908 B2 * 6/2013 Welch H01L 25/0753
257/431
D685,751 S * 7/2013 Wu D13/180
D690,443 S * 9/2013 Takehara D26/1
D706,231 S * 6/2014 Hussell D13/180

Primary Examiner — Selina Sikder
(74) Attorney, Agent, or Firm — Procopio, Cory, Hargreaves & Savitch LLP

(57) **CLAIM**
The ornamental design for a light emitting diode, as shown and described.

DESCRIPTION
FIG. 1 is a perspective view of a light emitting diode showing my new design;
FIG. 2 is a top plan view thereof;
FIG. 3 is a front elevational view thereof;
FIG. 4 is a rear elevational view thereof;
FIG. 5 is a left side elevational view thereof;
FIG. 6 is a right side elevational view thereof; and,
FIG. 7 is a bottom plan view thereof.
The dashed broken lines in the drawings are for the purpose of illustrating unclaimed portions of the light emitting diode and form no part of the claimed design.

1 Claim, 4 Drawing Sheets



(56)

References Cited

U.S. PATENT DOCUMENTS

D778,246	S *	2/2017	Kuriki	D13/180
D795,207	S *	8/2017	Ishimori	D13/180
D796,457	S *	9/2017	Funakubo	D13/180
D823,492	S *	7/2018	Welch	D26/1
D834,542	S *	11/2018	Funakubo	D13/180
D847,769	S *	5/2019	Iino	D13/180
D902,875	S *	11/2020	Funakubo	D13/180
2014/0217433	A1 *	8/2014	Tudorica	H01L 25/0753 257/89
2017/0103966	A1 *	4/2017	Choi	H01L 33/32
2018/0094799	A1 *	4/2018	Shan	H01L 33/486
2020/0028034	A1 *	1/2020	Okura	H01L 33/505

OTHER PUBLICATIONS

Luminus CXM-3 Product Datasheet “Generation 4 CXM-3 White LED Pico-COB Arrays” Published on the website: https://download.luminus.com/datasheets/Luminus_CXM-3_GEN4_Datasheet.pdf(2019)

Luminus Devices, Inc.
Luminus CXM-4 Product Datasheet “Generation 4 CXM-4 White LED Pico-COB Arrays” Published on the website: https://download.luminus.com/datasheets/Luminus_CXM-4_GEN4_Datasheet.pdf(2019)
Luminus Devices, Inc.
Luminus CXM-6 Product Datasheet “Generation 4 CXM-6 COB Arrays White LED” Published on the website: https://download.luminus.com/datasheets/Luminus_CXM-6_GEN4_Datasheet.pdf(2020)
Luminus Devices, Inc.
Luminus CLM-9 Product Datasheet “Generation 4 CLM-9 COB Arrays White LED” Published on the website: https://download.luminus.com/datasheets/Luminus_CLM-9_GEN4_Datasheet.pdf(2020)
Luminus Devices, Inc.
Luminus CXM-14 Product Datasheet “Generation 2 CXM-14 COB Arrays White LED” Published on the website: https://download.luminus.com/datasheets/Luminus_CXM-14_GEN2_Datasheet.pdf(2016)
Luminus Devices, Inc.

* cited by examiner

FIG. 1

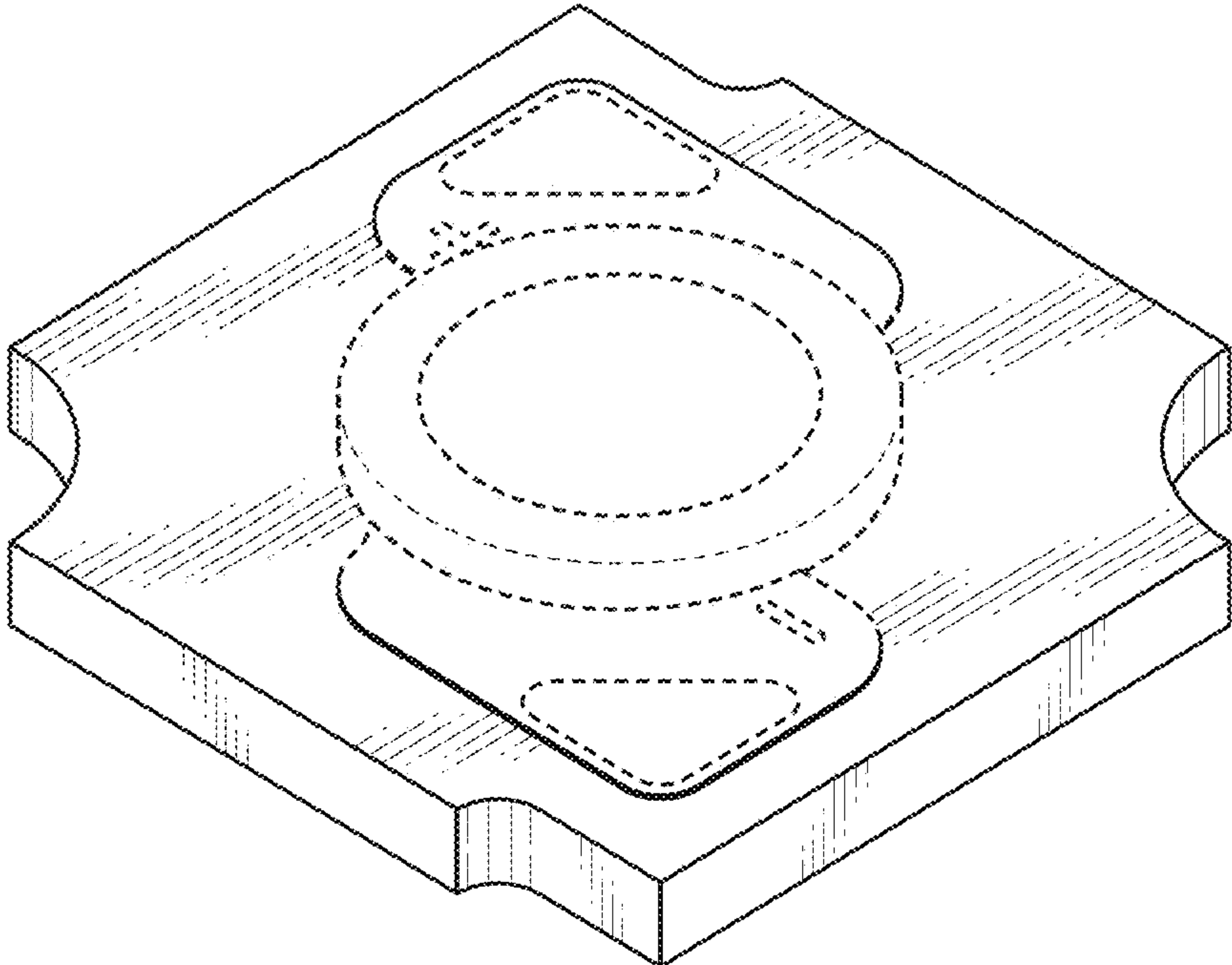


FIG. 2

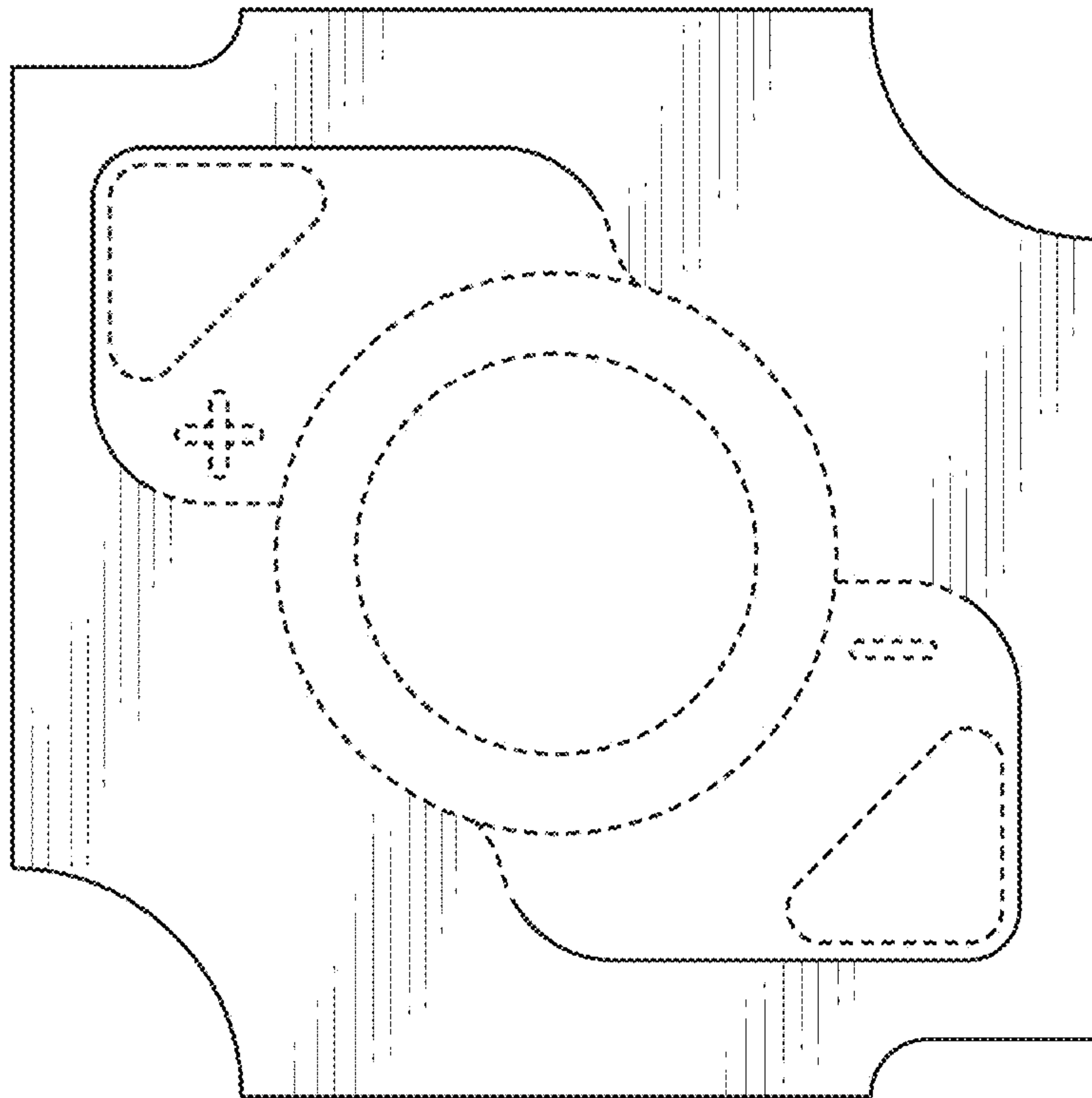


FIG. 3

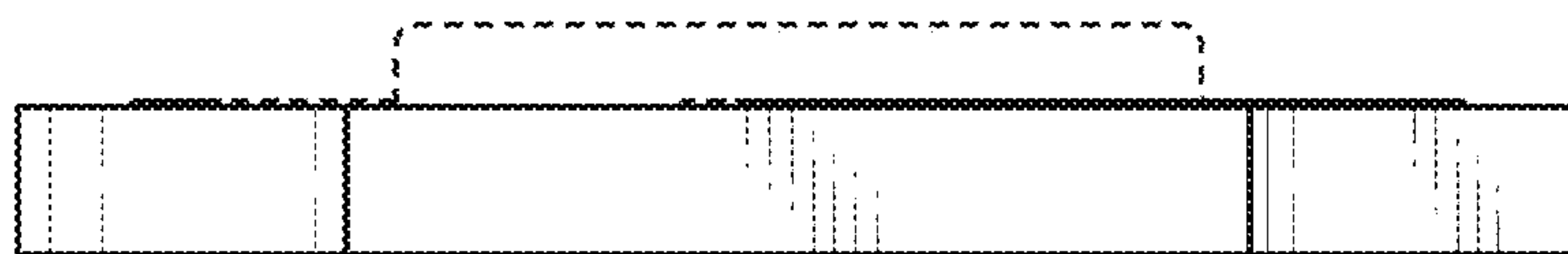


FIG. 4

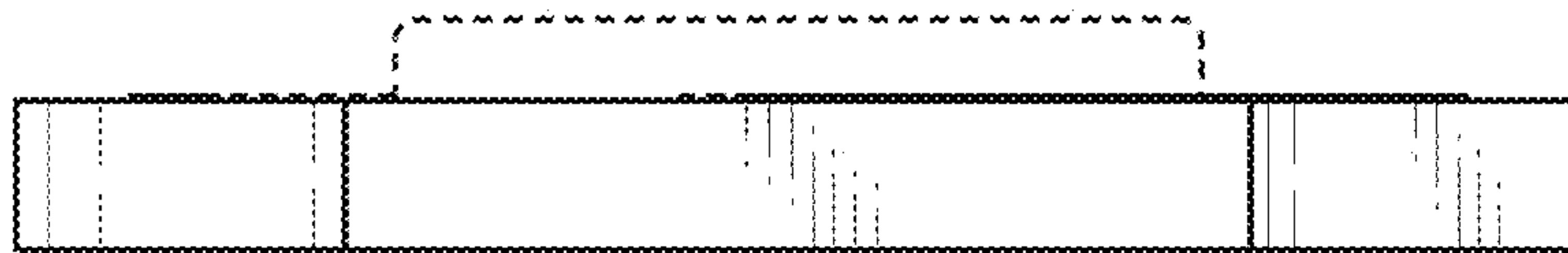


FIG. 5



FIG. 6

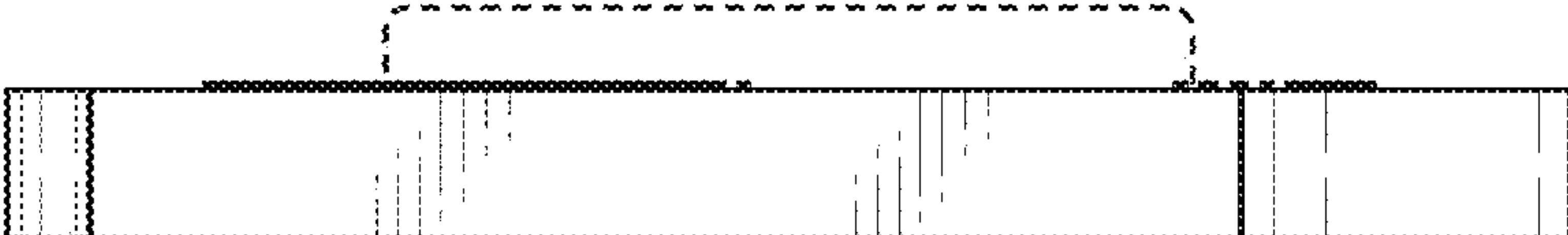


FIG. 7

