



US00D989008S

(12) **United States Design Patent** (10) **Patent No.:** **US D989,008 S**  
**Li** (45) **Date of Patent:** **\*\* Jun. 13, 2023**

(54) **AUTOMATIC WATERING SYSTEM**

(71) Applicant: **Dongguan Yuanxin Technology Co., Ltd.**, Dongguan (CN)

(72) Inventor: **Bojiu Li**, Huazhou (CN)

(\*\*) Term: **15 Years**

(21) Appl. No.: **29/815,403**

(22) Filed: **Nov. 12, 2021**

(51) **LOC (14) Cl.** ..... **13-03**

(52) **U.S. Cl.**  
USPC ..... **D13/162.1**

(58) **Field of Classification Search**  
USPC ..... D13/162, 162.1, 168; D10/40, 41, 46, D10/49, 91, 96, 101, 103, 104.1, 106.1; D23/213, 214  
CPC .... G08B 21/0261; H05K 5/00; H05K 5/0017; G05B 19/02; G05B 19/04; G05B 17/02; G05B 2219/2625; A01G 25/16; A01G 25/165; A01G 25/167; A01G 27/003; A01K 7/02; Y10T 137/7287; Y10T 137/86389  
See application file for complete search history.

(56) **References Cited**

**U.S. PATENT DOCUMENTS**

- D477,287 S \* 7/2003 Roman ..... D13/162
- D485,502 S \* 1/2004 Clivio ..... A01G 25/165  
D10/40
- 6,719,010 B1 \* 4/2004 Yi-Chang ..... A01G 25/165  
239/69
- 7,222,454 B1 \* 5/2007 Chen ..... A01G 27/005  
47/48.5
- D744,961 S \* 12/2015 Franchini ..... D13/162
- D770,310 S \* 11/2016 Rogers ..... D10/40
- D797,579 S \* 9/2017 Naslund ..... D10/40
- 9,874,882 B2 \* 1/2018 Hymes ..... A01K 7/02
- D810,700 S \* 2/2018 Jenkins ..... D13/162
- D829,572 S \* 10/2018 Cheng ..... D23/245
- 10,104,844 B2 \* 10/2018 Caceres ..... A01G 27/001

- D841,644 S \* 2/2019 McWilliam ..... D14/314
- D850,430 S \* 6/2019 Wu ..... D14/242
- D855,596 S \* 8/2019 Harley ..... D14/242
- D856,287 S \* 8/2019 Chen ..... D13/168
- D883,433 S \* 5/2020 Wang ..... D23/214
- D896,188 S \* 9/2020 Francis ..... D13/168
- D905,027 S \* 12/2020 Chang ..... D14/240
- D927,993 S \* 8/2021 Kim ..... D10/40

(Continued)

**FOREIGN PATENT DOCUMENTS**

- CN 201830377111.3 \* 7/2018
- CN 008760441-0001 \* 11/2021

**OTHER PUBLICATIONS**

Aamzon.co.uk, Automatic Watering System for Potted Plants, Plant Waterer with Smart Programmable Timer, date first available Mar. 25, 2022; 2 pgs.\*

(Continued)

*Primary Examiner* — Selina Sikder

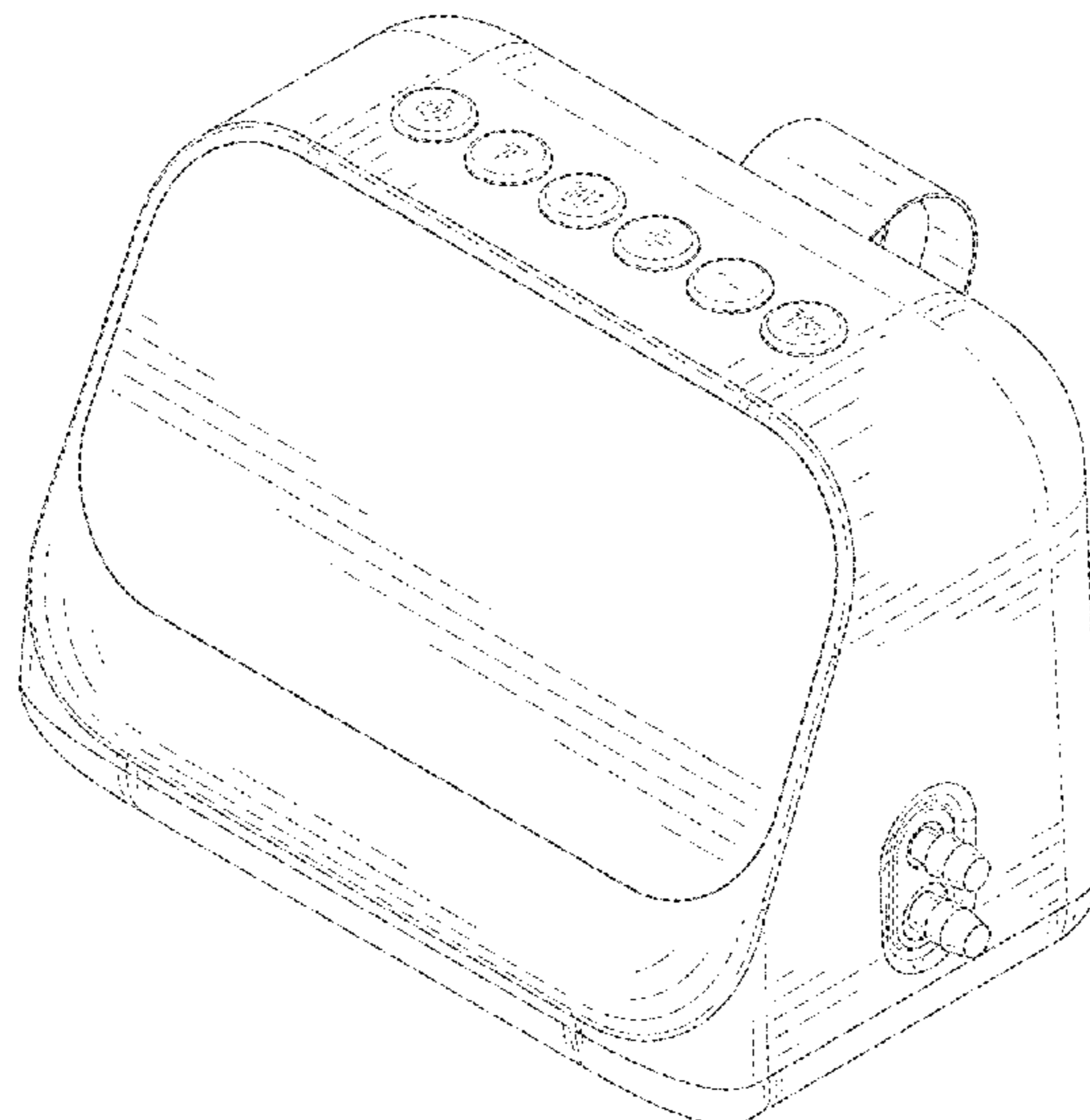
(57) **CLAIM**

The ornamental design for automatic watering system, substantially as shown and described.

**DESCRIPTION**

FIG. 1 is a top, front and right side perspective view of automatic watering system, showing my new design; FIG. 2 is a bottom, rear and left side perspective view; FIG. 3 is a front elevational view thereof; FIG. 4 is a rear elevational view thereof; FIG. 5 is a left side elevational view thereof; FIG. 6 is a right side elevational view thereof; FIG. 7 is a top plan view thereof; and, FIG. 8 is a bottom plan view thereof. The broken lines in the drawings illustrate the portions of the automatic watering system, which form no part of the claimed design.

**1 Claim, 8 Drawing Sheets**



(56)

**References Cited**

U.S. PATENT DOCUMENTS

D933,501 S \* 10/2021 Chi ..... D10/40  
 11,172,779 B1 \* 11/2021 Munoz ..... A47G 33/12  
 D941,162 S \* 1/2022 Yu ..... D10/40  
 D950,397 S \* 5/2022 Zhu ..... D10/40  
 D963,597 S \* 9/2022 Merwin ..... D13/168  
 D965,446 S \* 10/2022 Chen ..... D10/40  
 2002/0195470 A1 \* 12/2002 Roman ..... A01G 27/003  
 222/504  
 2010/0163126 A1 \* 7/2010 Leer ..... A01G 25/165  
 137/624.11  
 2015/0053288 A1 \* 2/2015 Cheng ..... A01G 25/165  
 137/624.11  
 2015/0216133 A1 \* 8/2015 Franchini ..... F16K 31/404  
 700/284  
 2015/0237814 A1 \* 8/2015 Moran ..... A47G 33/12  
 47/79  
 2016/0198647 A1 \* 7/2016 Wang ..... H04W 4/80  
 700/284  
 2016/0377069 A1 \* 12/2016 Spadotto ..... A01K 63/047  
 417/411

2019/0343054 A1 \* 11/2019 Ayres ..... F25B 21/02  
 2020/0022322 A1 \* 1/2020 Lafian ..... H04L 9/3226  
 2020/0350778 A1 \* 11/2020 Nemecek ..... H04L 67/34  
 2021/0267145 A1 \* 9/2021 Chen ..... F17C 13/04  
 2022/0095558 A1 \* 3/2022 Allen ..... A01G 27/02  
 2022/0257042 A1 \* 8/2022 Zhao ..... A01G 27/008  
 2022/0373693 A1 \* 11/2022 Hobbs ..... G01S 5/10

OTHER PUBLICATIONS

Amazon.co.uk, Geevon Automatic Watering System for Potted Plants, Automatic Plant Waterer, May 8, 2021, 2 pgs.\*  
 Amazon.co.uk, Kollea Automatic Watering System, Indoor Plant Self Watering System, Oct. 21, 2020, 3 pgs.\*  
 Amazon.co.uk, Landrip Automatic Irrigation System, Plant Self-watering System Automatic Plant Waterer, Apr. 27, 2020, 3 pgs.\*  
<https://interestingengineering.com>, 7 Automatic Watering Systems for Healthy Gardens With Potted Plants, Nov. 30, 2021; 7 pgs.\*  
 Amazon.co.uk, Rainpoint WiFi Automatic Watering System For Indoor Potted Plants, Dec. 10, 2020, 2 pgs.\*

\* cited by examiner

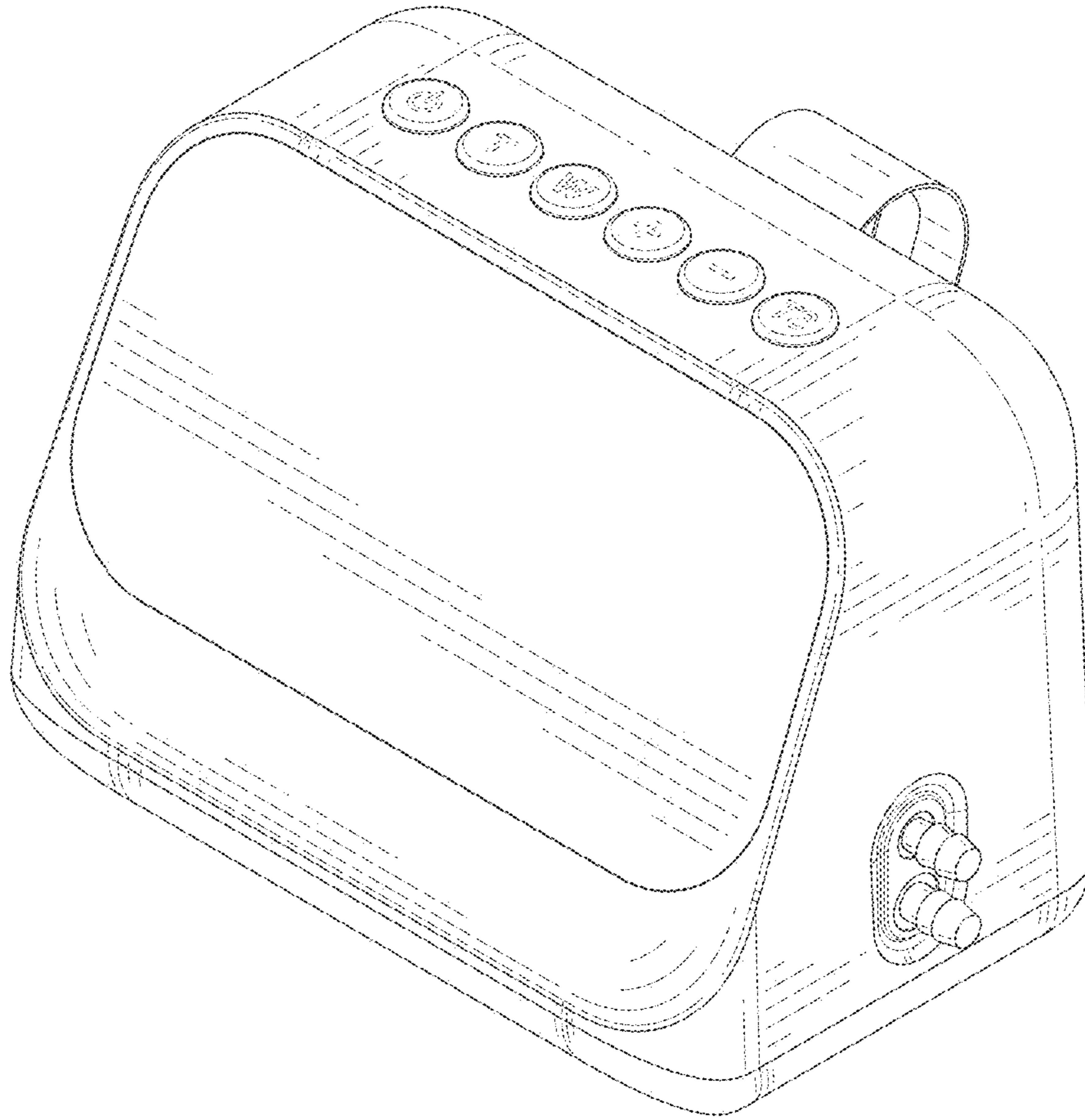


FIG. 1

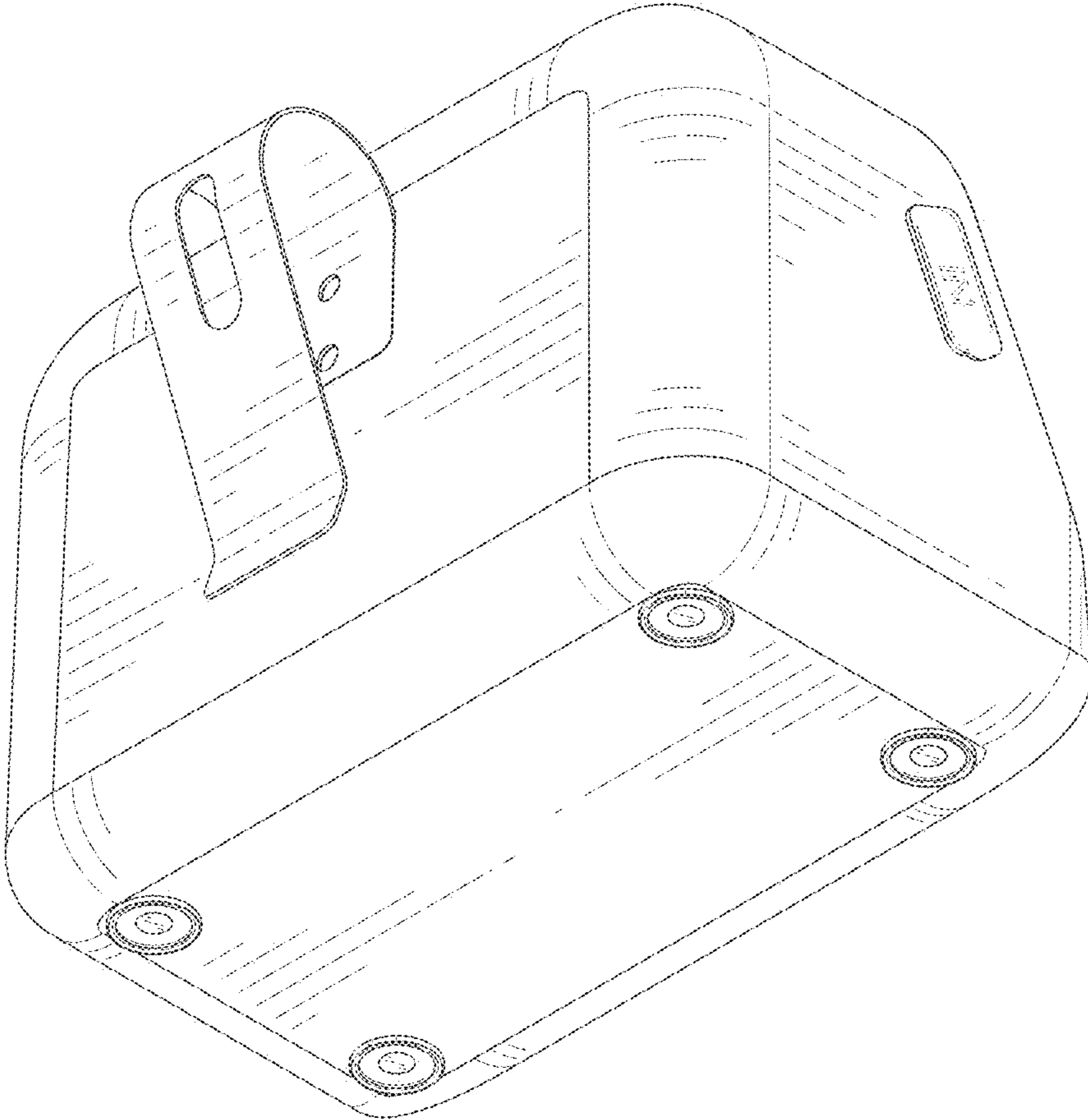


FIG.2

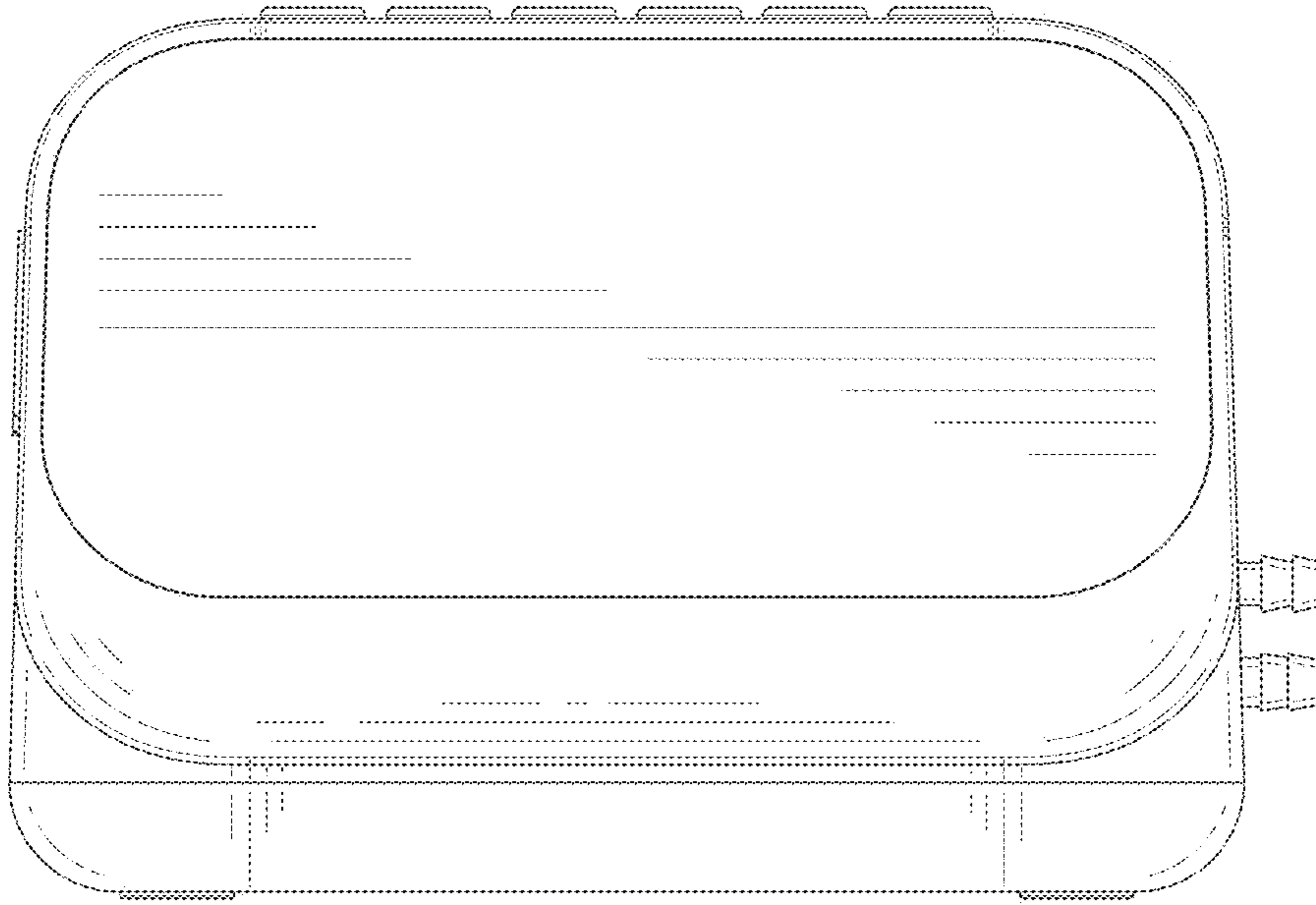


FIG.3

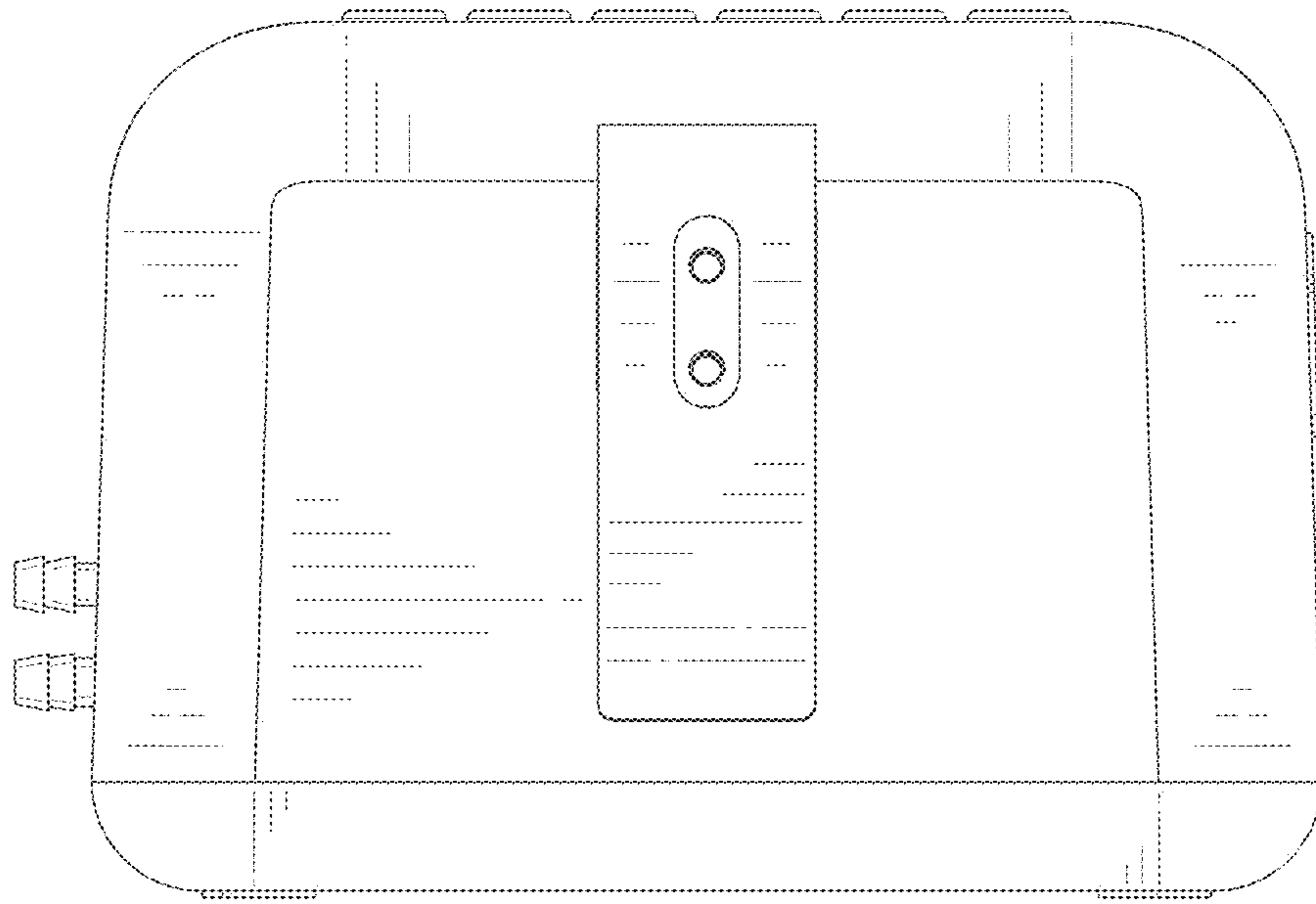


FIG.4

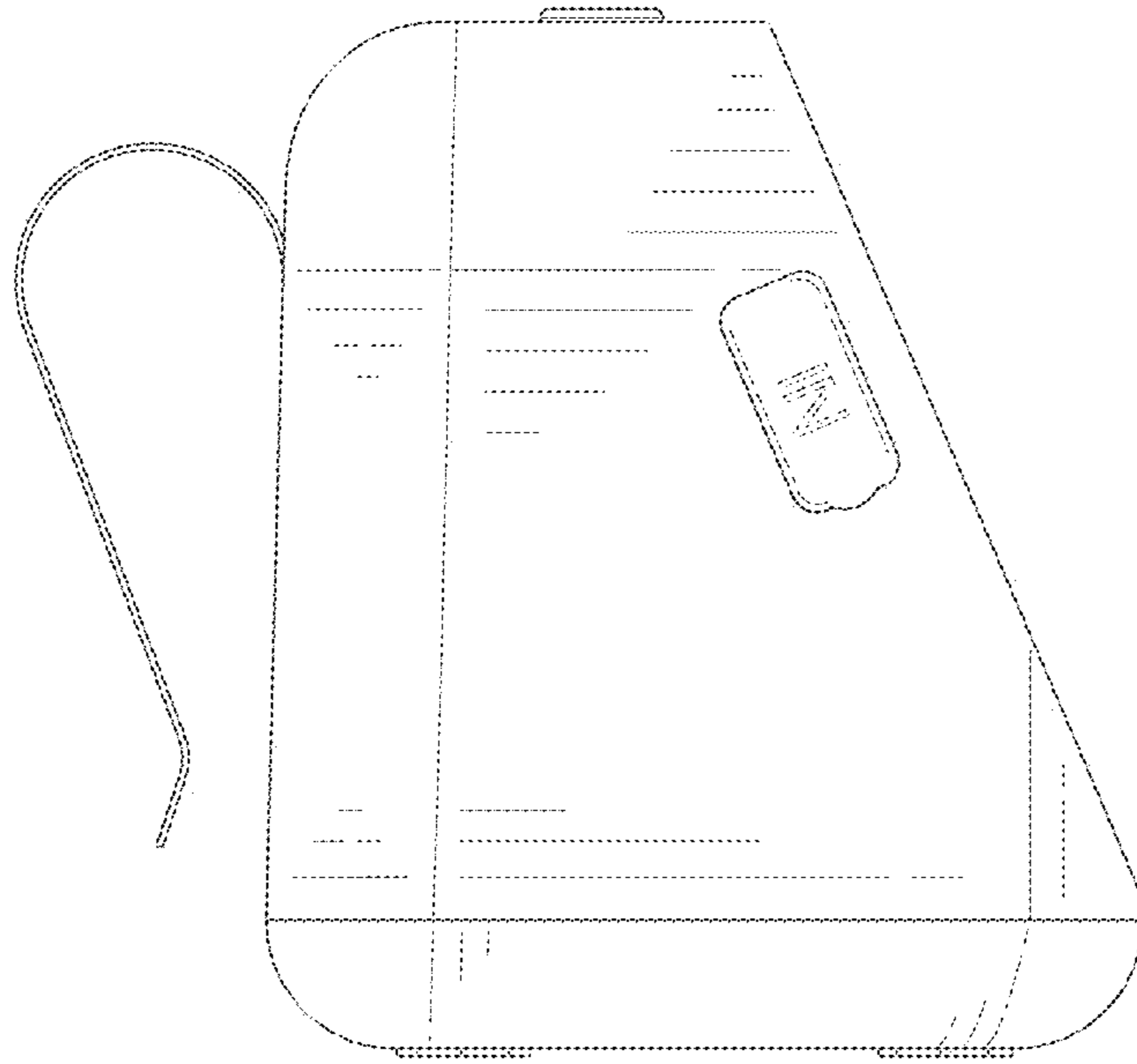


FIG. 5

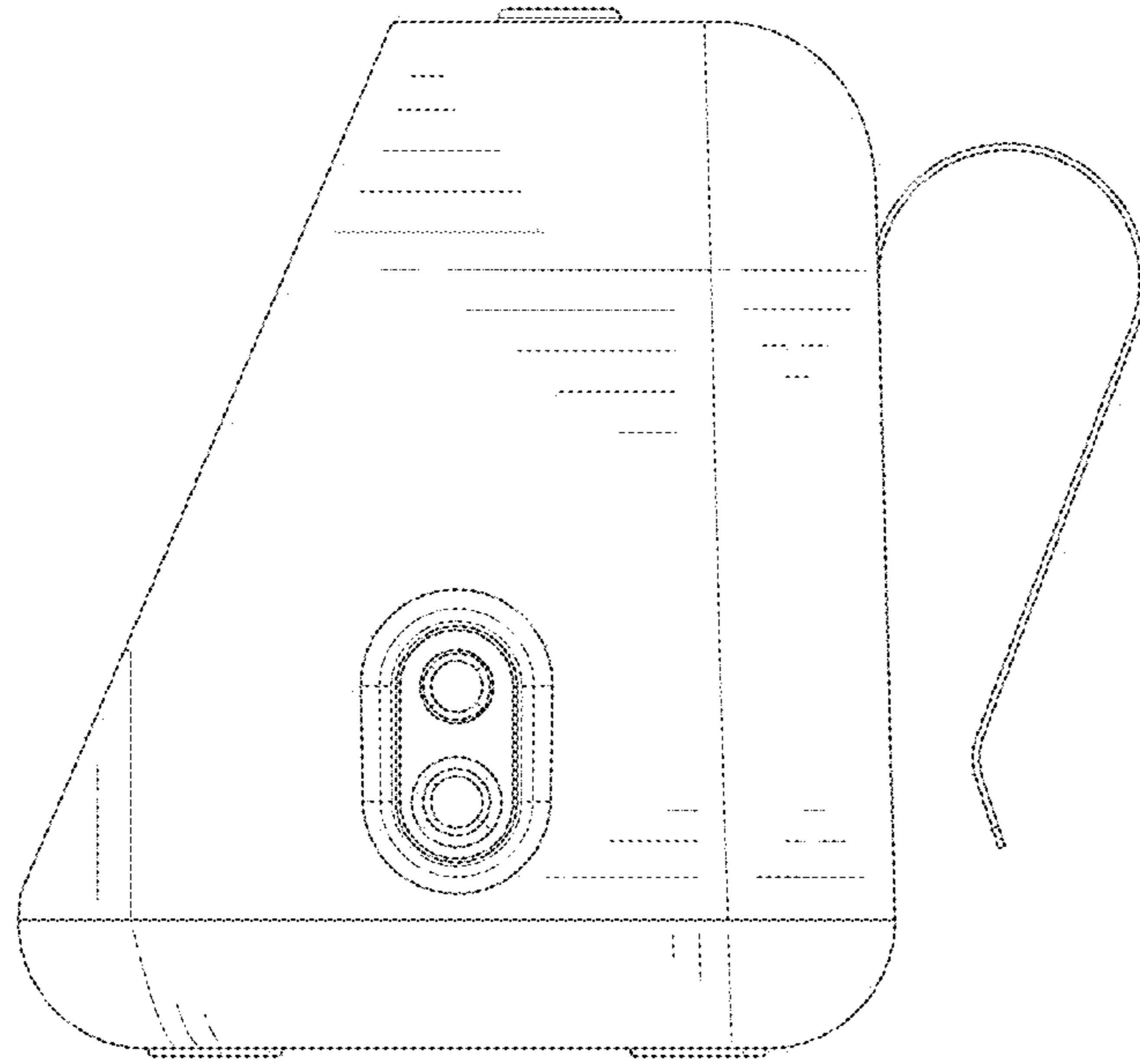


FIG. 6



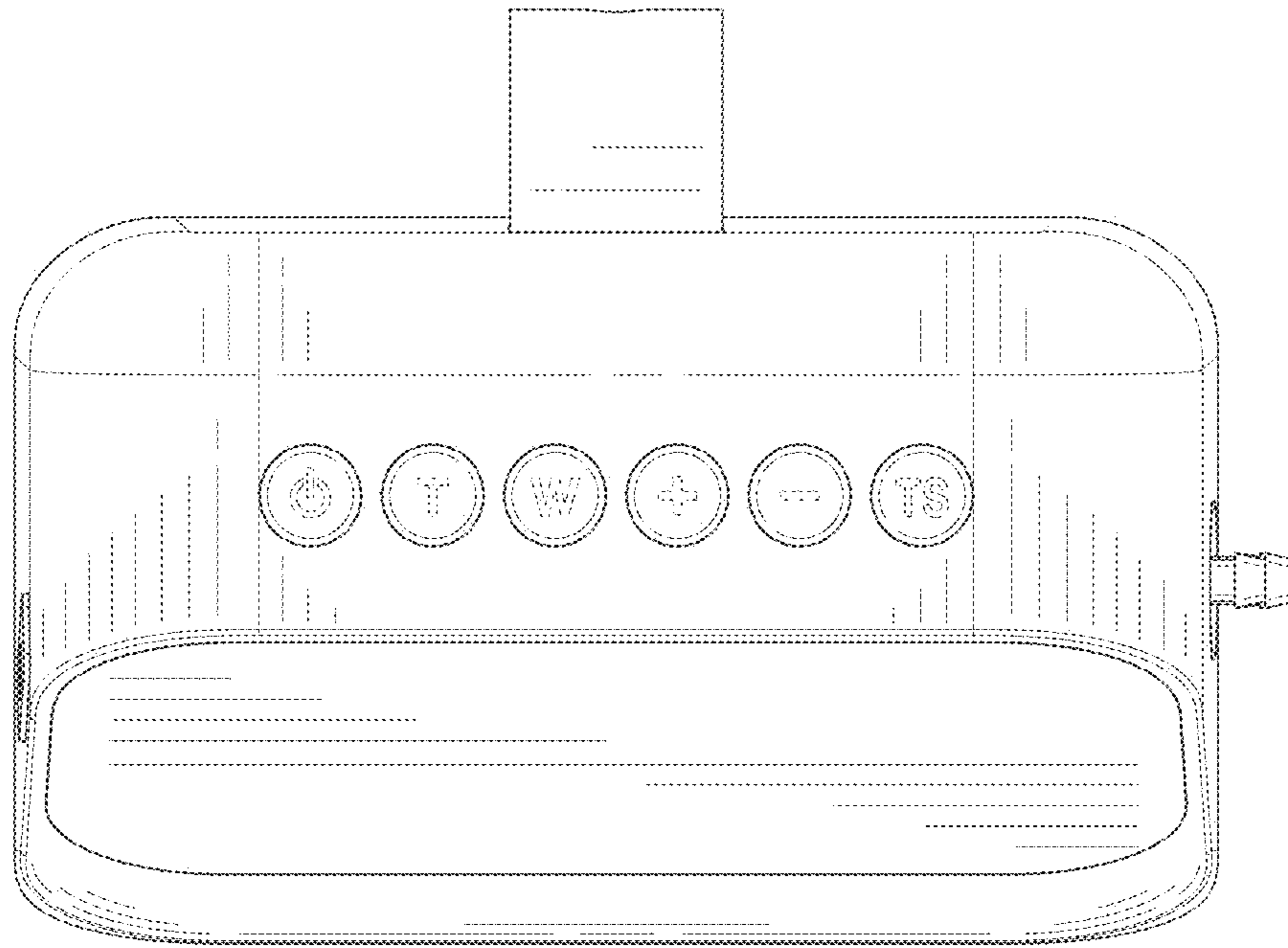


FIG. 7

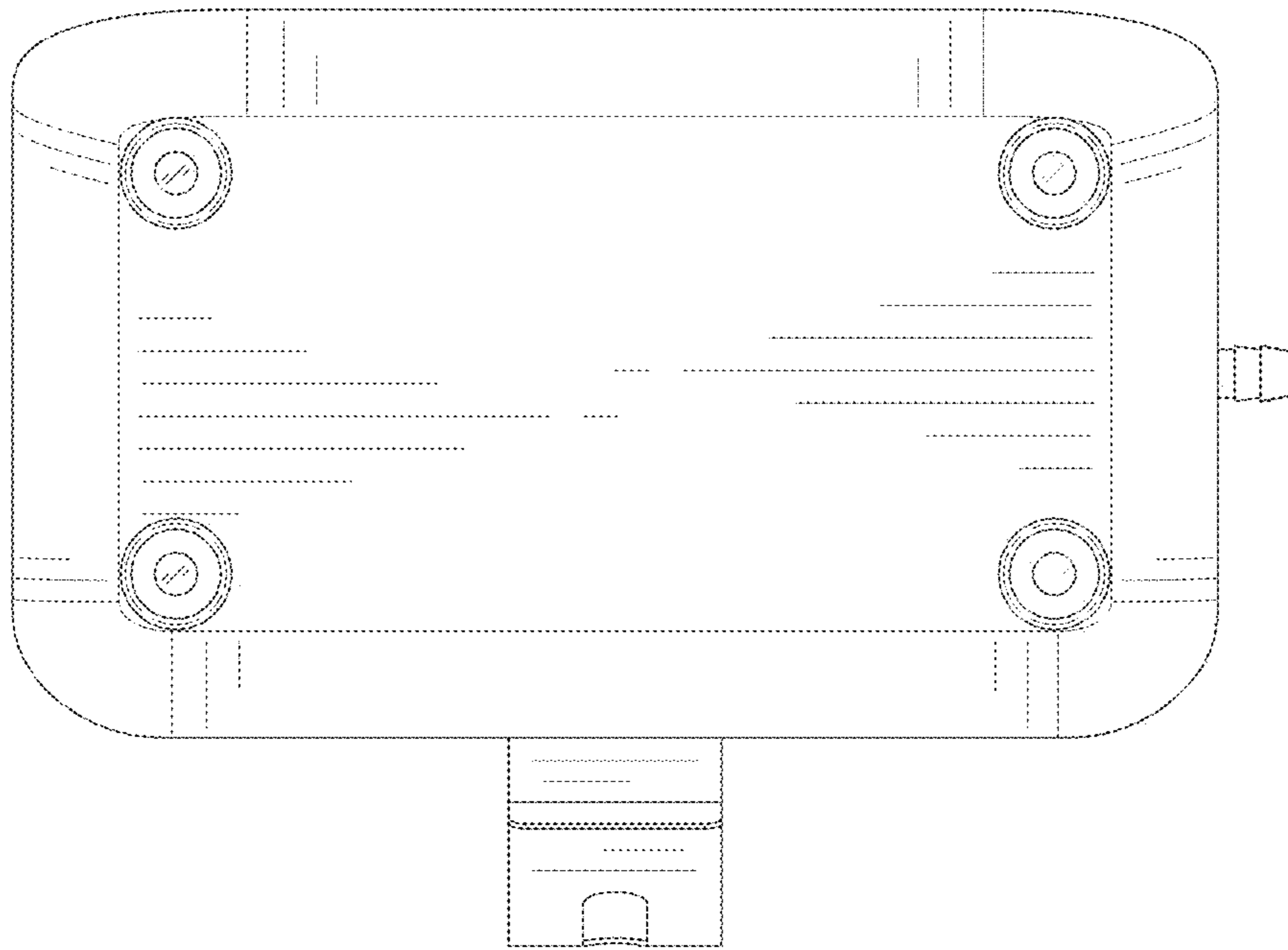


FIG. 8