



US00D989006S

(12) **United States Design Patent**  
**Li**

(10) **Patent No.:** **US D989,006 S**  
(45) **Date of Patent:** **\*\* Jun. 13, 2023**

(54) **HIGH VOLTAGE CONTROLLER**

(71) Applicant: **Yuyao Yunjin Electric Co., Ltd.**,  
Zhejiang (CN)

(72) Inventor: **Jun Li**, Zhejiang (CN)

(\*\*) Term: **15 Years**

(21) Appl. No.: **29/821,188**

(22) Filed: **Dec. 28, 2021**

(51) **LOC (14) Cl.** ..... **13-03**

(52) **U.S. Cl.**  
USPC ..... **D13/162**; D13/168

(58) **Field of Classification Search**  
USPC ..... D13/162, 168; D14/218  
CPC ..... G08C 17/02; G08C 19/00; G08C 19/12;  
G08C 19/28; G08C 23/04; H04B 1/202;  
H05B 47/10; H05B 47/19; H03J 9/00;  
H03J 9/02; H03J 9/04; H03J 9/06; H03J  
1/0025; H01H 9/0225; H01H 9/0228;  
H01H 9/0235; H04N 21/42212; H04N  
21/42221; H04N 21/42224; H04N  
21/42225; G06F 3/03547; F21S 4/00;  
F21S 4/10; F21S 4/28

See application file for complete search history.

(56) **References Cited**

**U.S. PATENT DOCUMENTS**

D307,579 S \* 5/1990 Layne ..... D13/137.3  
D603,344 S \* 11/2009 Pradhan ..... D13/168  
D818,971 S \* 5/2018 Peng ..... D13/168  
D892,064 S \* 8/2020 Tang ..... D13/168  
D911,295 S \* 2/2021 Chen ..... D14/218  
D940,085 S \* 1/2022 Pan ..... D13/168

D945,968 S \* 3/2022 Wang ..... D13/139.7  
D959,390 S \* 8/2022 Lan ..... D13/162  
D965,537 S \* 10/2022 Lan ..... D13/162  
D969,361 S \* 11/2022 Ge ..... D13/168  
D971,858 S \* 12/2022 Zhang ..... D14/218  
2023/0027092 A1\* 1/2023 Zeng ..... H05B 45/20

**FOREIGN PATENT DOCUMENTS**

CN 202230390126.X \* 6/2022

**OTHER PUBLICATIONS**

Amazon.comXMCOSY+ Outdoor String Lights, Smart 49Ft Patio  
Lights RGB, Aug. 26, 2019, 2 pgs.\*

\* cited by examiner

*Primary Examiner* — Selina Sikder

(57) **CLAIM**

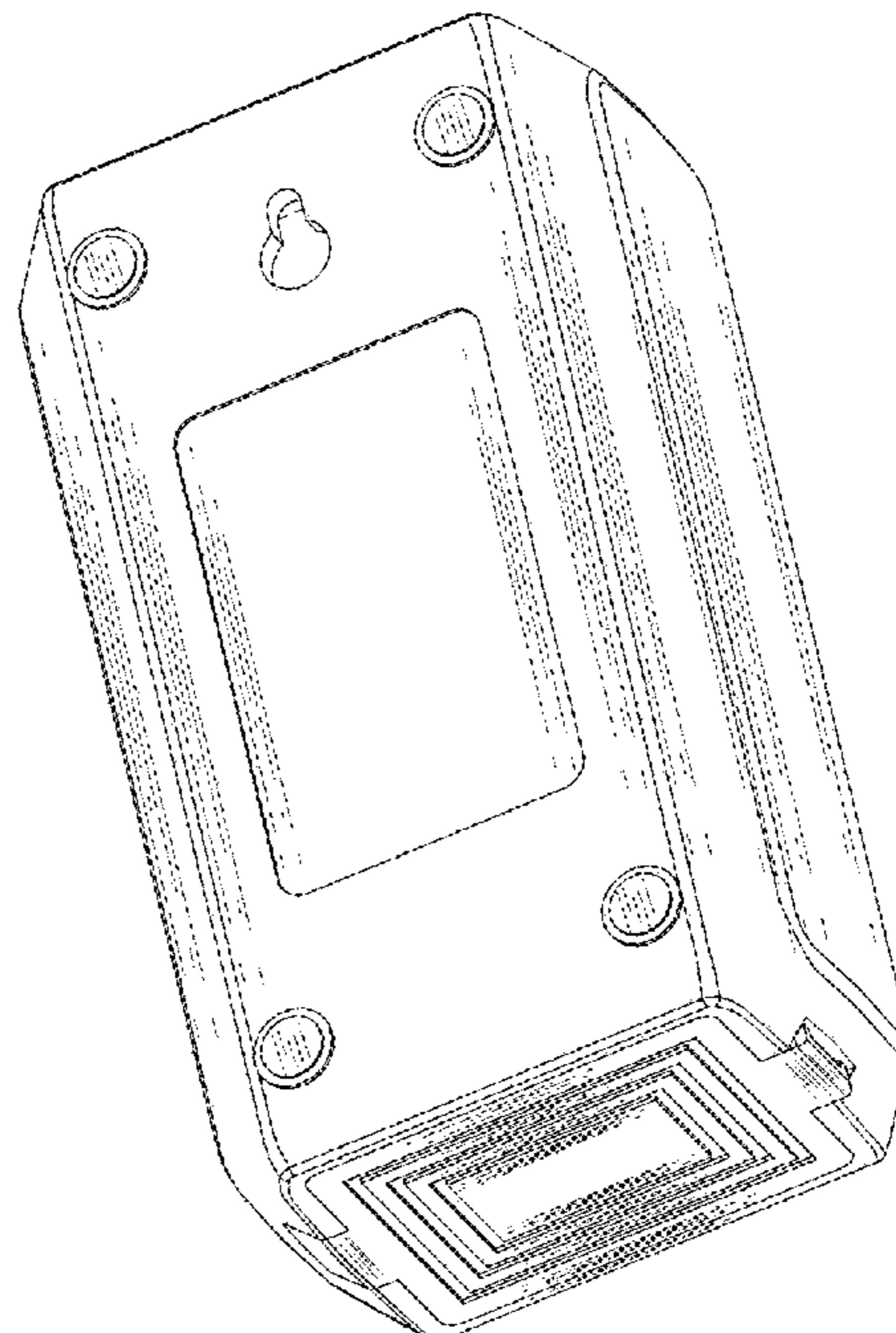
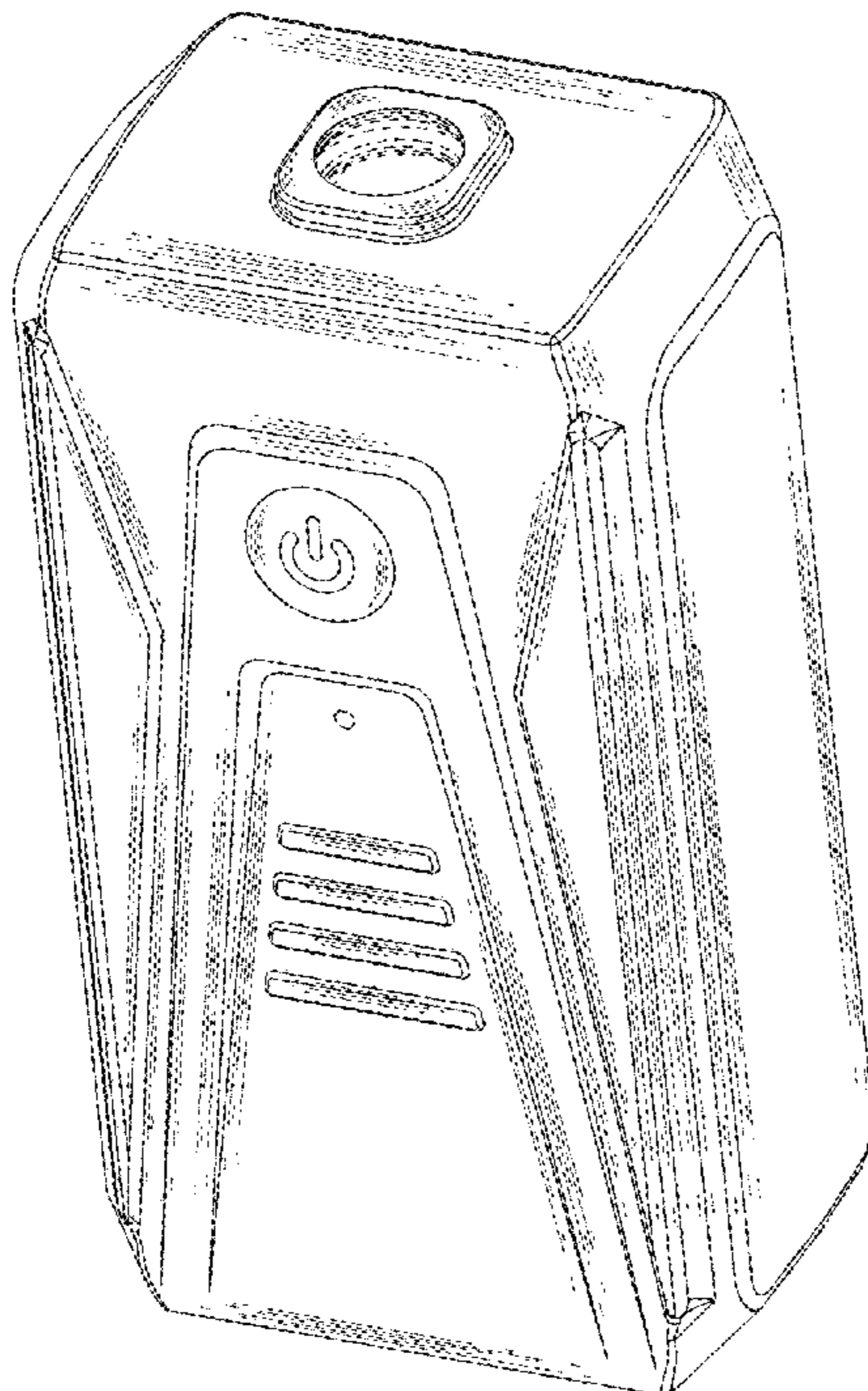
The ornamental design for a high voltage controller, as  
shown and described.

**DESCRIPTION**

FIG. 1 is a perspective view of a high voltage controller  
design showing my new design.  
FIG. 2 is a front view of a high voltage controller.  
FIG. 3 is a rear view of a high voltage controller.  
FIG. 4 is a left side view of a high voltage controller.  
FIG. 5 is a right side view of a high voltage controller.  
FIG. 6 is a top view of a high voltage controller.  
FIG. 7 is a bottom view of a high voltage controller; and,  
FIG. 8 is a rear side perspective view of a high voltage  
controller.

The broken lines in the drawings depict portions of the high  
voltage controller that form no part of the claimed design.

**1 Claim, 8 Drawing Sheets**



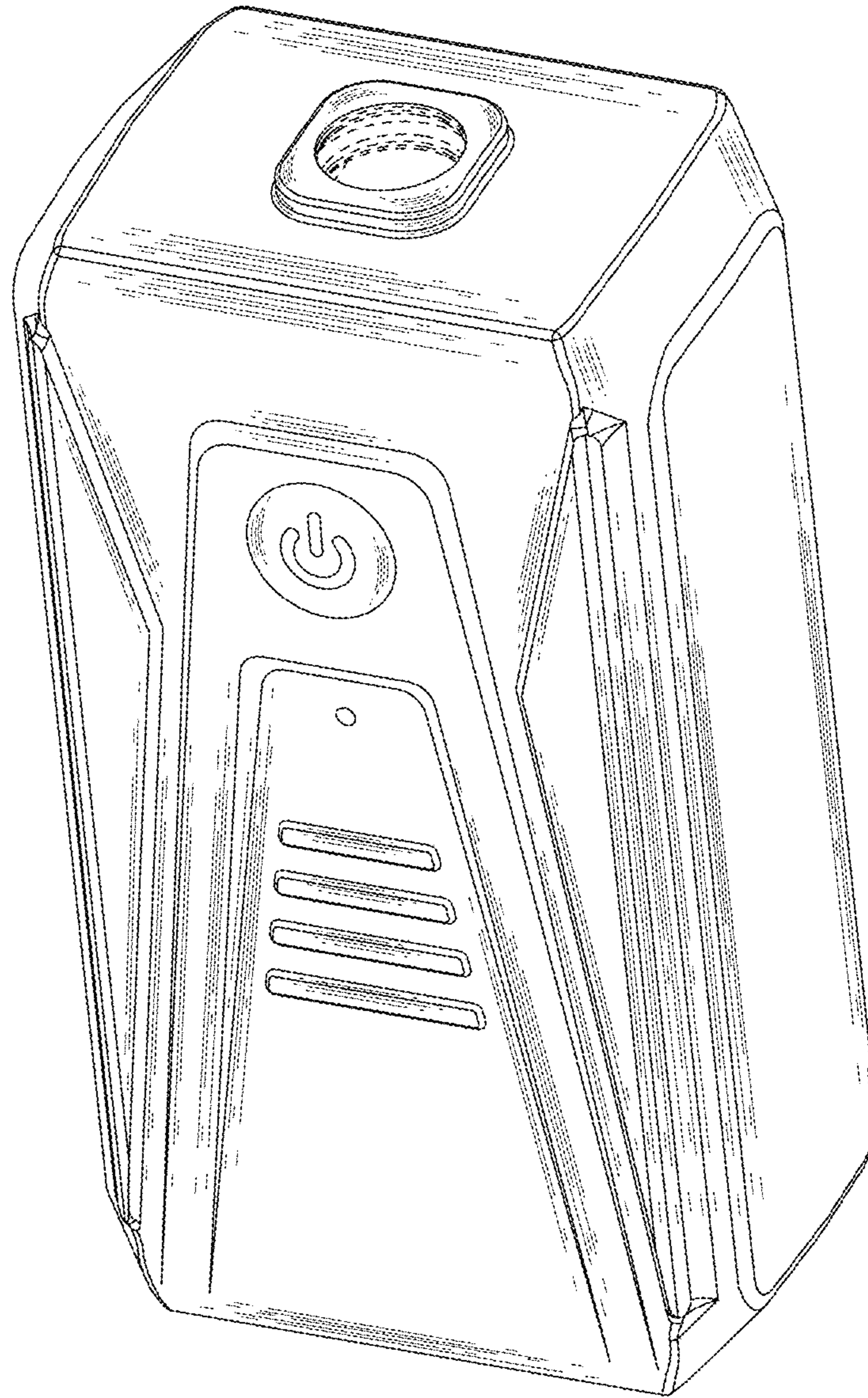


FIG. 1

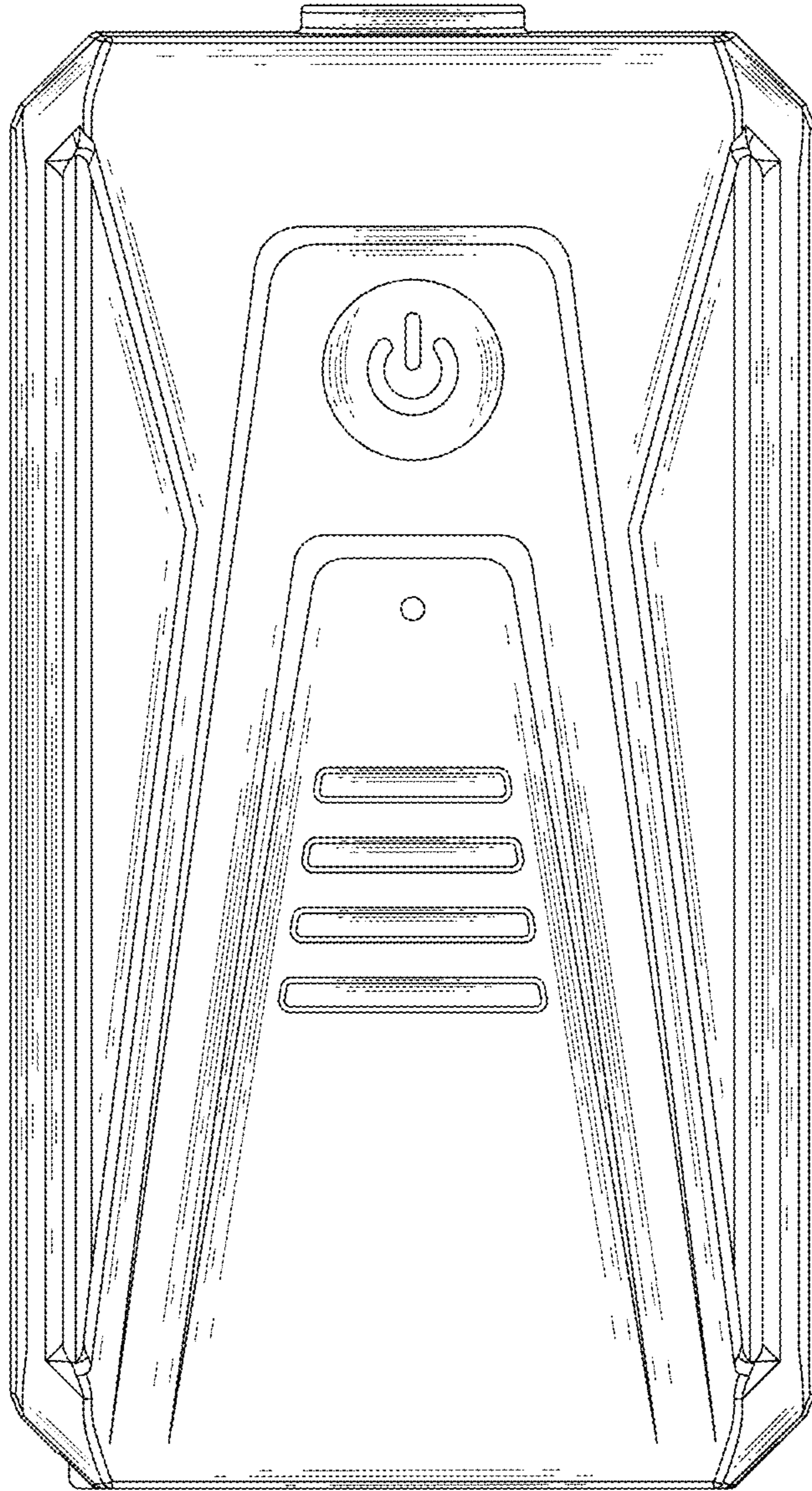


FIG. 2

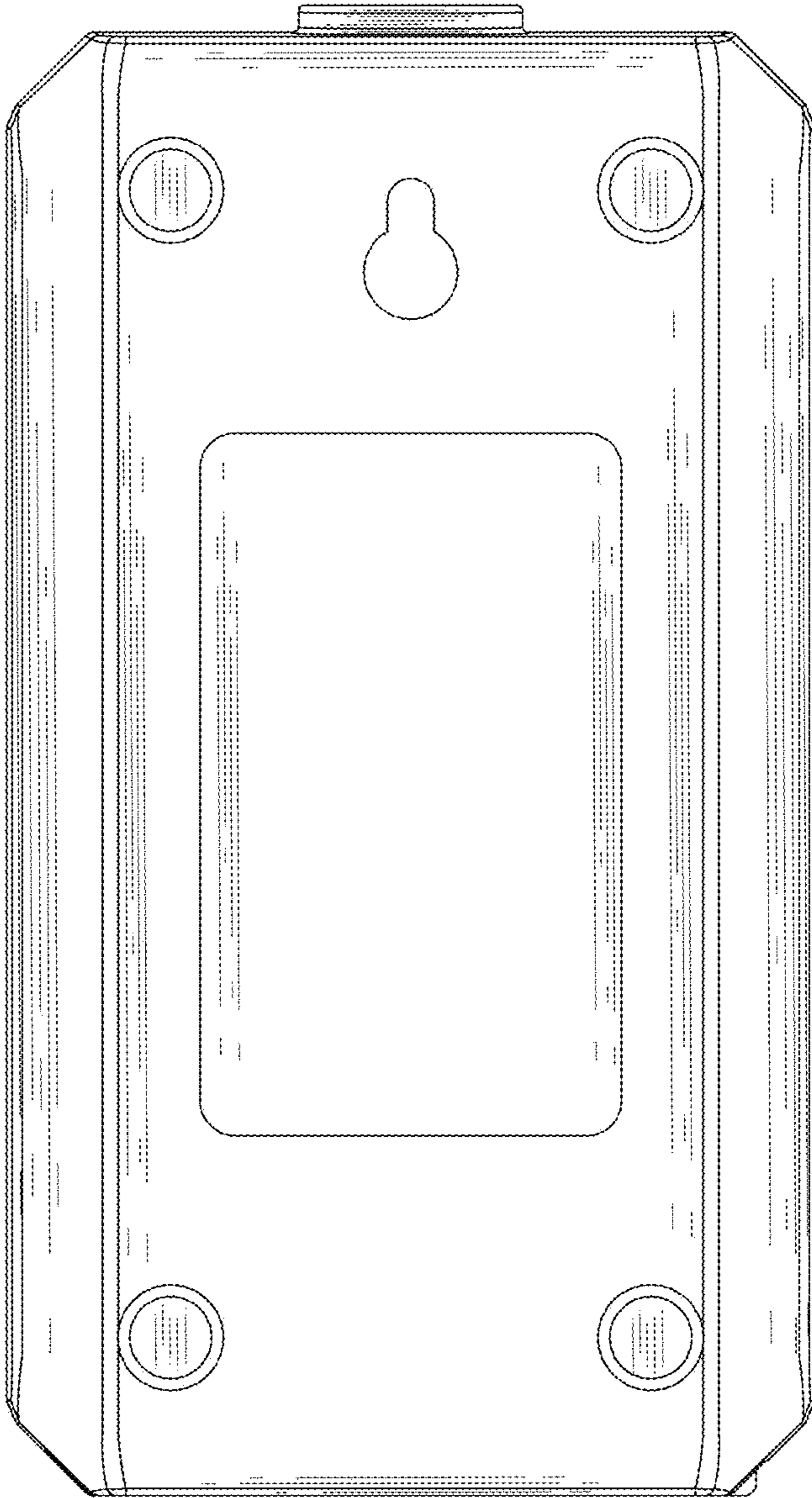


FIG. 3

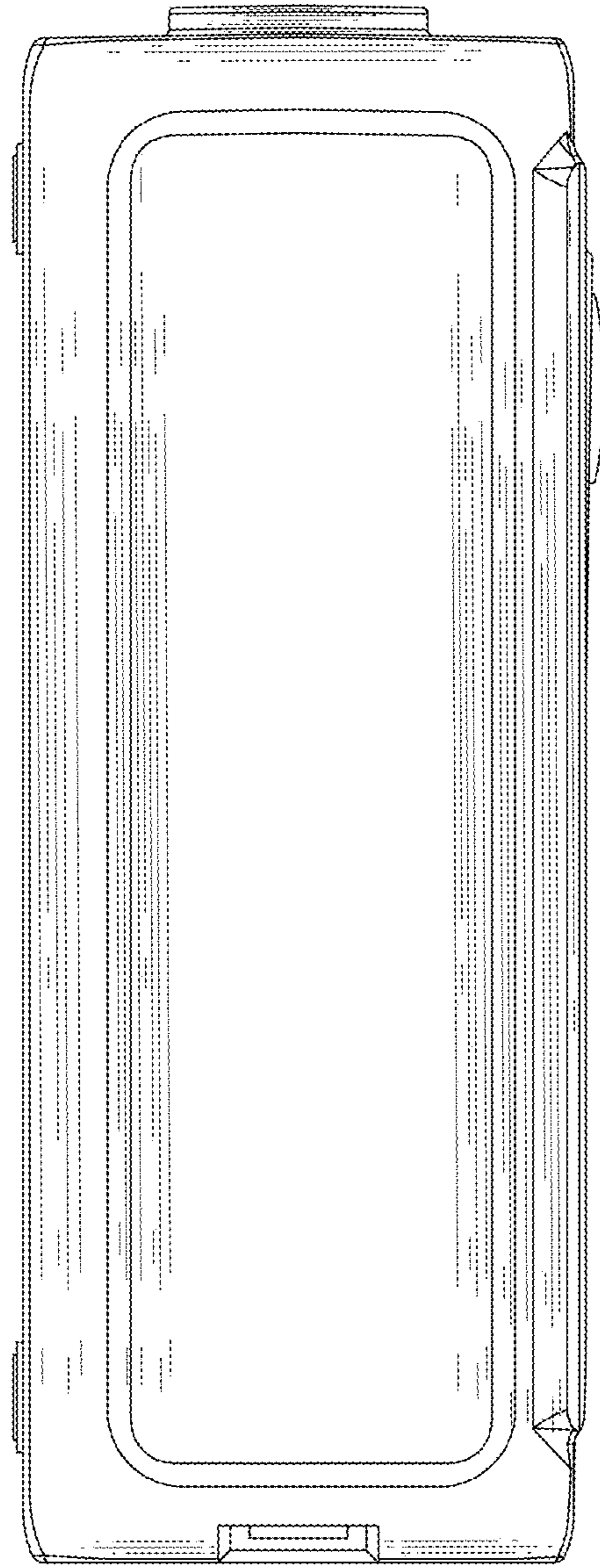


FIG. 4

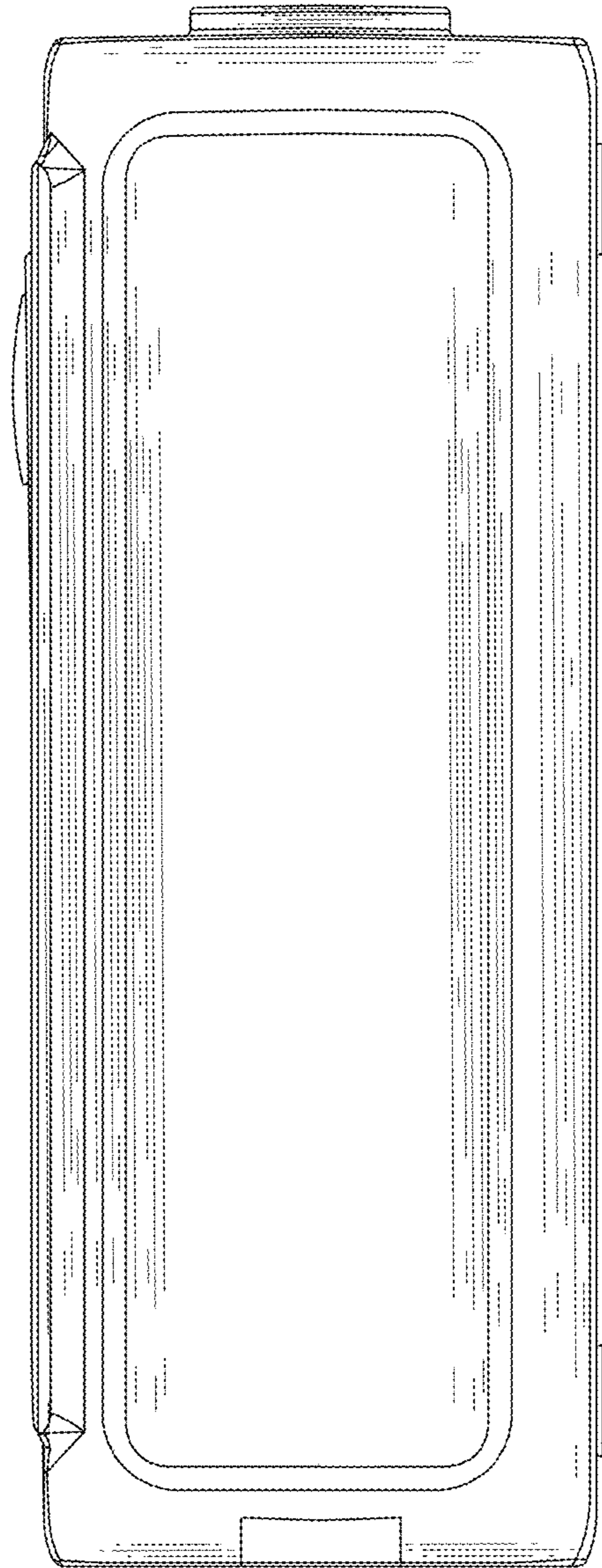


FIG. 5

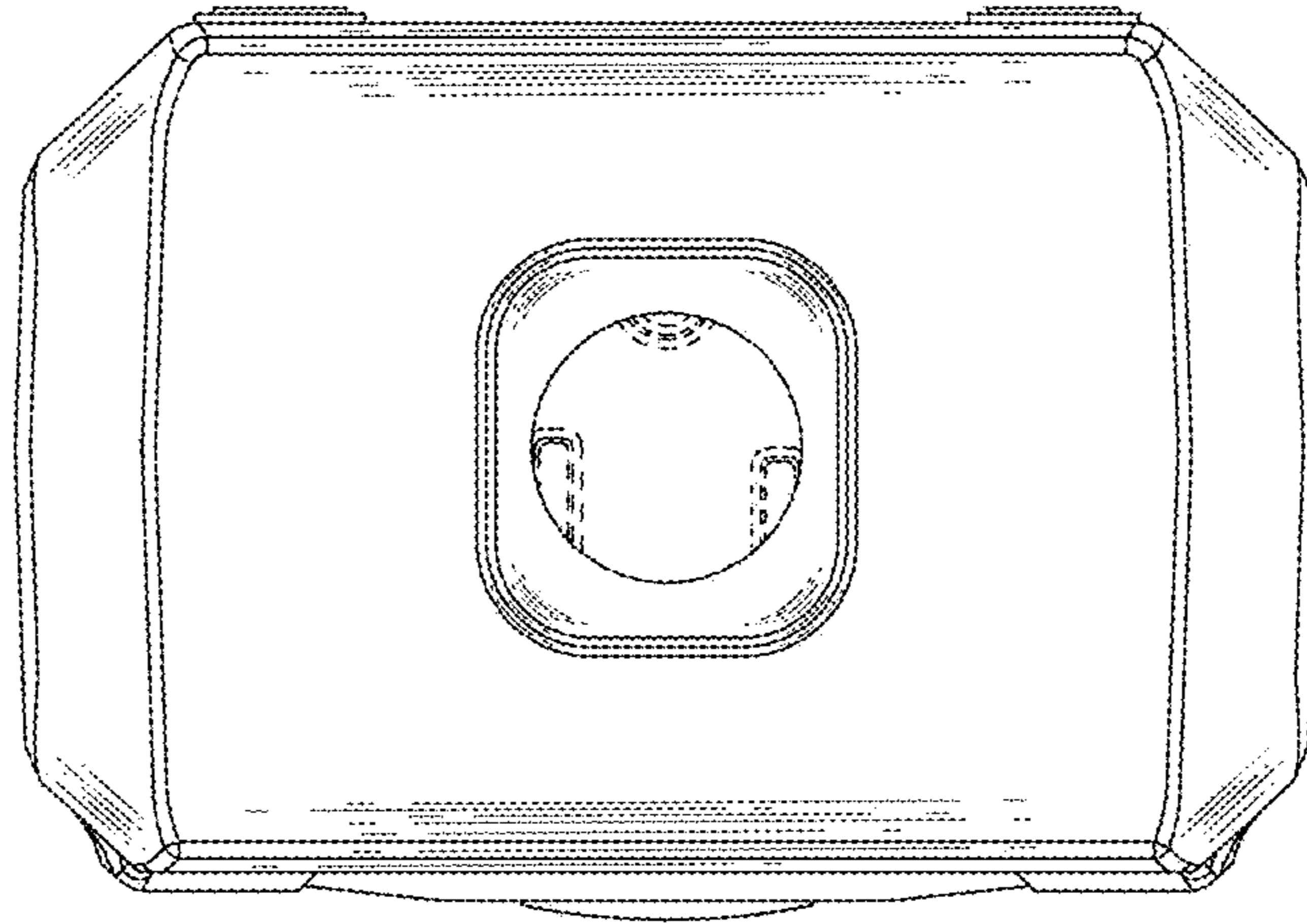


FIG. 6

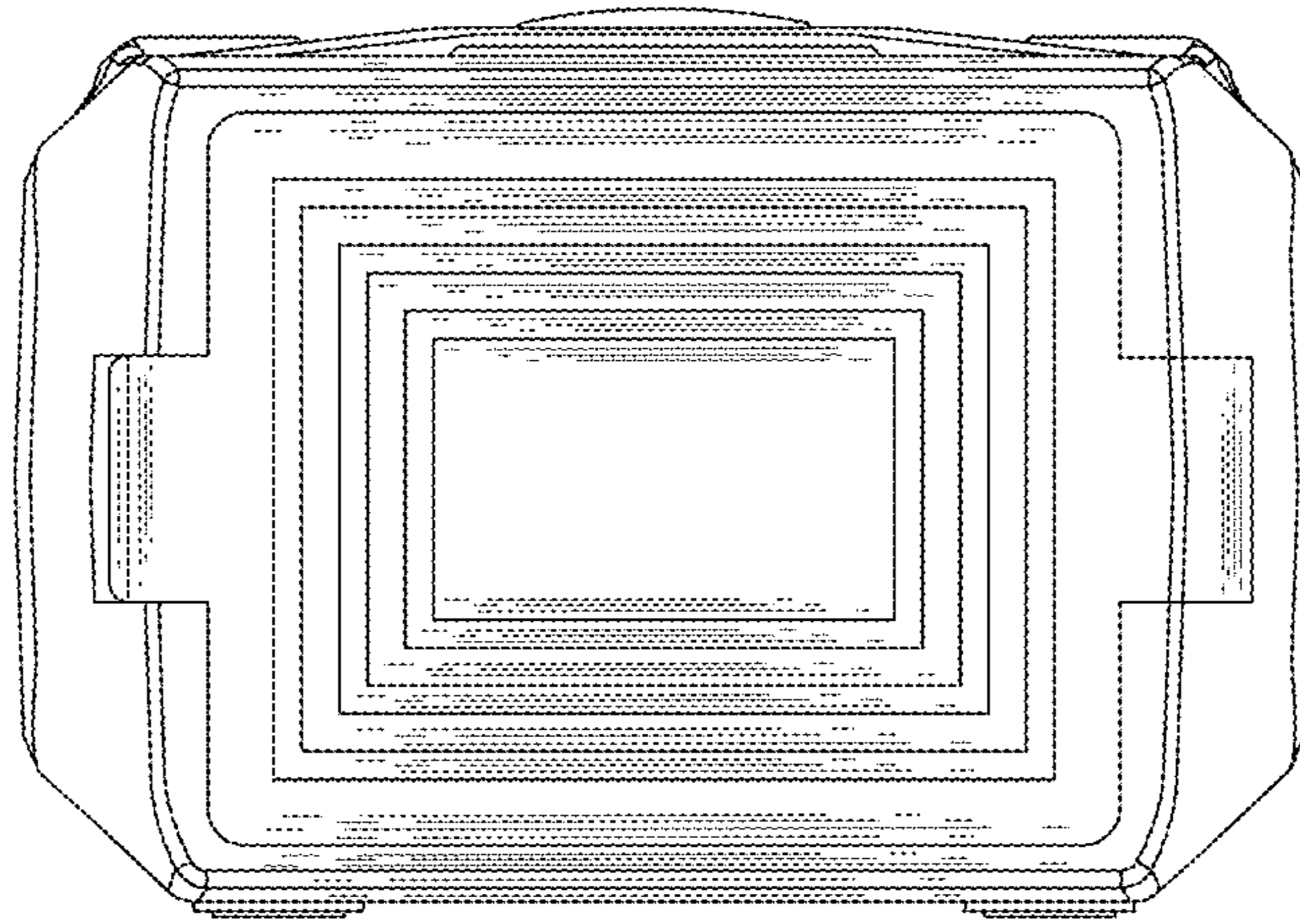


FIG. 7



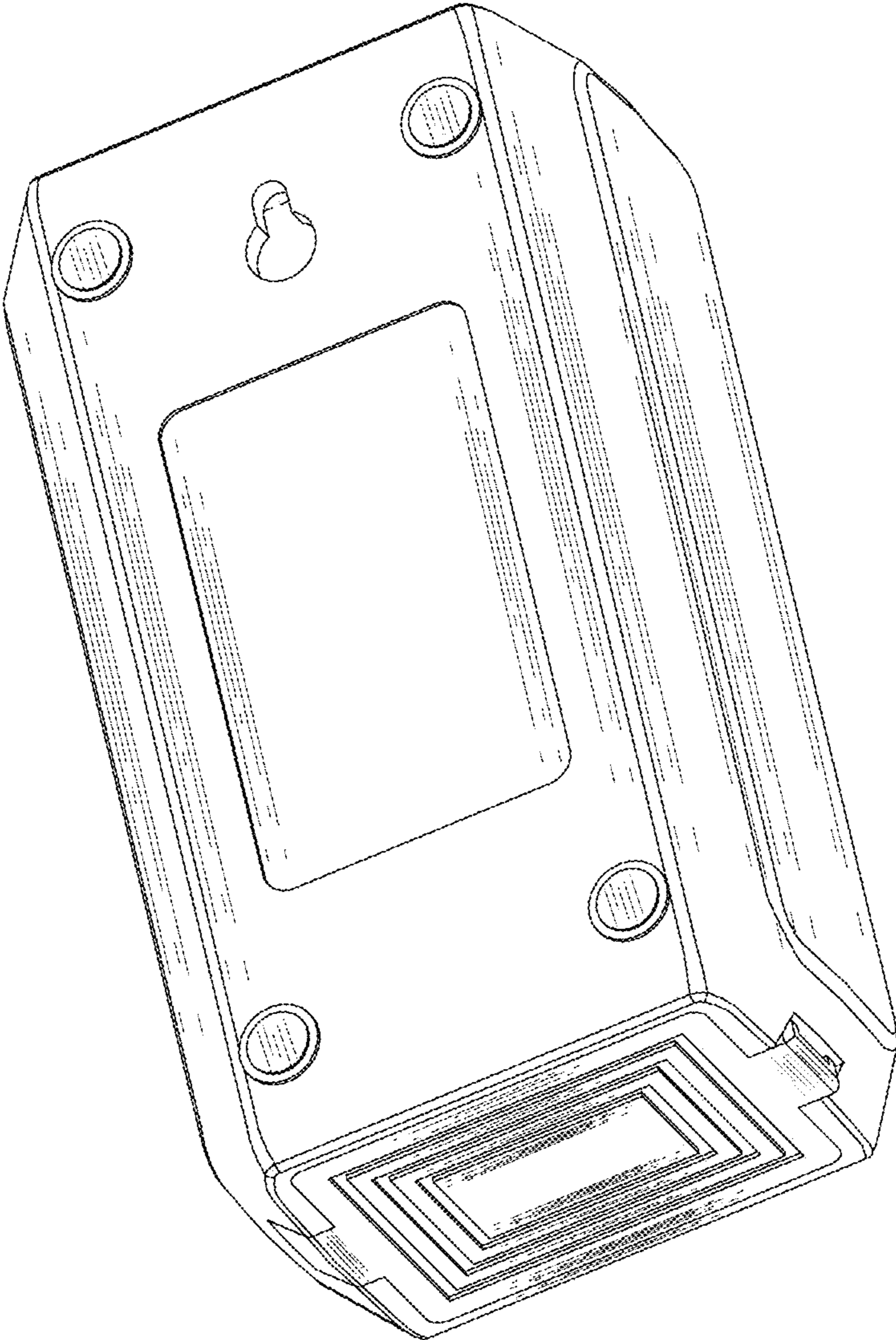


FIG. 8