



US00D989005S

(12) **United States Design Patent** (10) **Patent No.:** **US D989,005 S**  
**Bailey** (45) **Date of Patent:** **\*\* Jun. 13, 2023**

(54) **WALL PLATE**  
(71) Applicant: **David F. Bailey**, Riverview, FL (US)  
(72) Inventor: **David F. Bailey**, Riverview, FL (US)  
(\*\*) Term: **15 Years**  
(21) Appl. No.: **29/793,038**  
(22) Filed: **Feb. 19, 2021**  
(51) **LOC (14) Cl.** ..... **13-03**  
(52) **U.S. Cl.**  
USPC ..... **D13/162**  
(58) **Field of Classification Search**  
USPC .... D13/107, 108, 110, 137.1, 137.2, 137, 3,  
D13/137.4, 138.1, 138.2, 139.1, 139.2,  
D13/139.3, 139.4, 139.5, 139.6, 139.7,  
D13/139.8, 146, 151, 152, 153, 154, 158,  
D13/159, 160, 161, 162, 162.1, 163, 164,  
D13/165, 166, 167, 168, 169, 171, 172,  
D13/173, 174, 175, 176, 177, 178, 179,  
D13/184, 199; D8/350, 353  
CPC ..... H01R 13/00; H01R 13/03; H01R 13/04;  
H01R 13/10; H01R 13/35; H01R 13/44;  
H01R 13/46; H01R 13/453; H01R  
13/4534; H01R 13/502; H01R 13/506;  
H01R 13/514; H01R 13/518; H01R  
13/6272; H01R 13/631; H01R 13/639;  
H01R 13/652; H01R 13/665; H01R  
13/6633; H01R 13/6666; H01R 13/6675;  
H01R 13/7135; H01R 31/02; H01R  
31/06; H01R 31/065; H01R 9/00; H01R  
11/00; H01R 35/04; H01R 2201/06;  
H01H 2207/00; H01H 2207/022; H01H  
2203/00; H05K 5/00; H05K 5/03; H02G  
3/088  
See application file for complete search history.

D595,659 S \* 7/2009 Maurer ..... D13/152  
D640,992 S \* 7/2011 Margolin ..... D13/164  
D657,752 S \* 4/2012 Krumpe ..... D13/162  
D666,562 S \* 9/2012 Alderson ..... D13/174  
D711,837 S \* 8/2014 Clymer ..... D13/162  
D719,107 S \* 12/2014 Clymer ..... D13/162  
D744,433 S \* 12/2015 Baumgartner ..... D10/49  
D768,578 S \* 10/2016 Restrepo ..... D13/162  
D810,701 S \* 2/2018 Baldwin ..... D13/162

(Continued)

**FOREIGN PATENT DOCUMENTS**

CA 137293 \* 8/2011

**OTHER PUBLICATIONS**

“[10 Pack] Bestten Single-Pole Decorator Wall Light Switch, 15A 120/277V, On/Off Rocker Interrupter, UL Listed, White”, first available Aug. 29, 2019. Amazon.com [https://www.amazon.com/dp/B07X47W6LC] (Year: 2019).\*

(Continued)

*Primary Examiner* — Rosemary K Tarcza  
*Assistant Examiner* — Seth David Kumpf  
(74) *Attorney, Agent, or Firm* — Arthur W. Fisher, III

(57) **CLAIM**

The ornamental design for a wall plate, as shown and described.

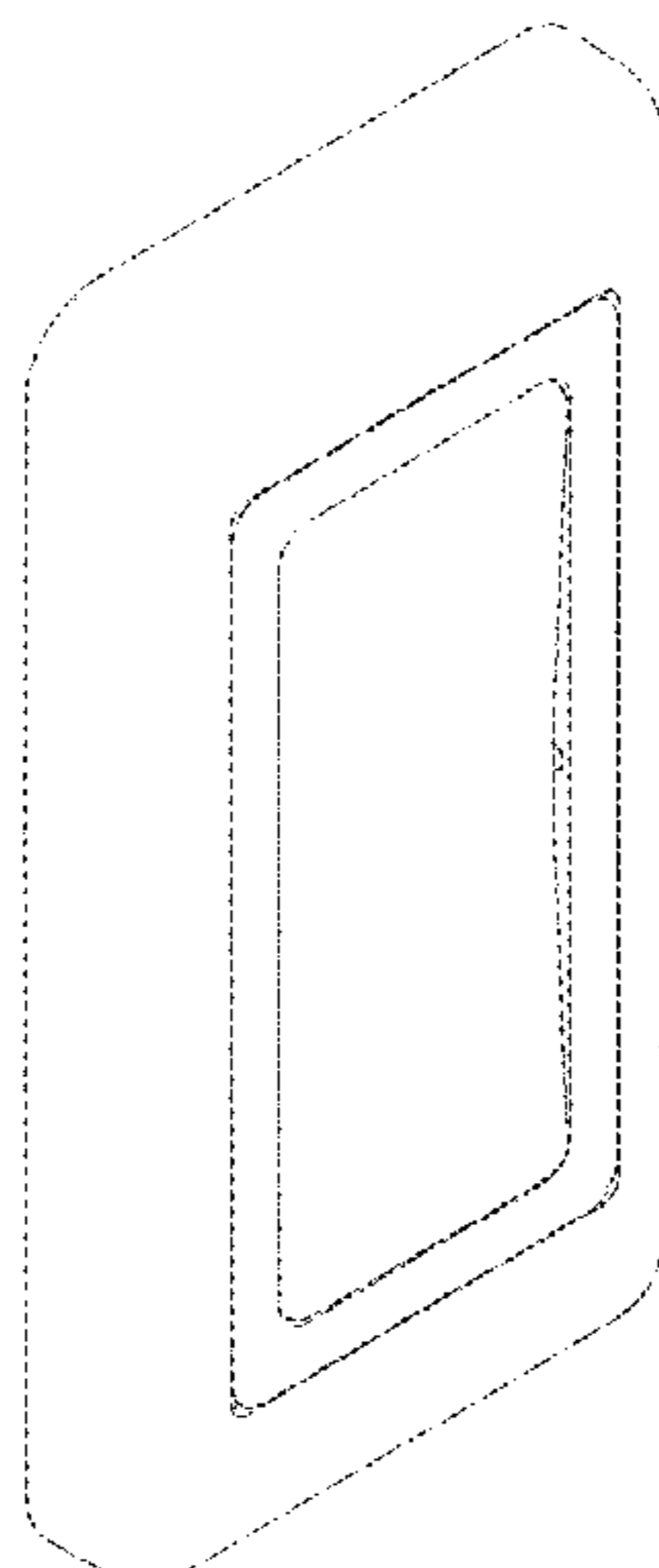
**DESCRIPTION**

FIG. 1 is a front perspective view of an embodiment of the wall plate;  
FIG. 2 is a front view of the wall plate of FIG. 1;  
FIG. 3 is a right side view of the wall plate of FIG. 1;  
FIG. 4 is a left side view of the wall plate of FIG. 1;  
FIG. 5 is a top view of the wall plate of FIG. 1;  
FIG. 6 is a bottom view of the wall plate of FIG. 1; and,  
FIG. 7 is a back view of the wall plate of FIG. 1.

**1 Claim, 5 Drawing Sheets**

(56) **References Cited**  
U.S. PATENT DOCUMENTS

D562,259 S \* 2/2008 Kosche ..... D13/162  
D576,961 S \* 9/2008 Kidman ..... D13/169



(56)

**References Cited**

U.S. PATENT DOCUMENTS

D865,682 S	*	11/2019	Dimberg .....	G01D 5/02 D13/168
D874,409 S	*	2/2020	Fiedler .....	D13/162
D945,973 S	*	3/2022	Emigh .....	D13/162
D947,137 S	*	3/2022	Tetreault .....	D13/162

OTHER PUBLICATIONS

“Suraielec Wireless Wall Switch Remote Control Outlet (1 RF Control + 1 Extra Standard), No Wiring, 100ft Range, Pre-Programmed, Remote Light Switch for Plug in Light, Lamp (2 Switches and 1 Receiver)”, first available Aug. 13, 2021. Amazon.com [https://www.amazon.com/dp/B08R9QNMST] (Year: 2021).\*

“Kasa Smart Light Switch HS200P3, Single Pole, Needs Neutral Wire, 2.4GHz Wi-Fi Light Switch Works with Alexa and Google Home, UL Certified, No Hub Required, 3-Pack , White”, first available Sep. 19, 2018. Amazon.com [https://www.amazon.com/dp/B07HGW8N7R] (Year: 2018).\*

“GE home electrical Switch Fans & Lights, White, GE Grounding Paddle Rocker 5 Pack, Single Pole, in Wall On/Off Power Replacement for Ceiling Fans, 15 Amp, for Home, Office & Kitchen, UL Listed, 44017”, first available Oct. 9, 2018. Amazon.com [https://www.amazon.com/dp/B07J9PKNBH] (Year: 2018).\*

“Dewenwils Remote Control Outlet, Wireless Wall Light Switch with 2 Side Outlets, No Wiring Remote Outlet Switch, 15A/1875W, 100FT Range, ETL Listed, Programmable(2 Switches and 1 Receiver)”, first available Oct. 15, 2021. Amazon.com [https://www.amazon.com/dp/B095WNNP51] (Year: 2021).\*

“Kasa Smart Light Switch HS200, Single Pole, Needs Neutral Wire, 2.4GHz Wi-Fi Light Switch Works with Alexa and Google Home, UL Certified, No Hub Required , White”, first available Jun. 1, 2016. Amazon.com [https://www.amazon.com/dp/B01EZV35QU] (Year: 2016).\*

“Dewenwils Remote Control Outlet Wireless Wall Mounted Light Switch, Electrical Plug in On Off Power Switch for Lamp, No Wiring, 100 Feet RF Range, ETL Listed, Programmable”, first available Nov. 15, 2018. Amazon.com [https://www.amazon.com/dp/B07HRD1GXP] (Year: 2018).\*

\* cited by examiner

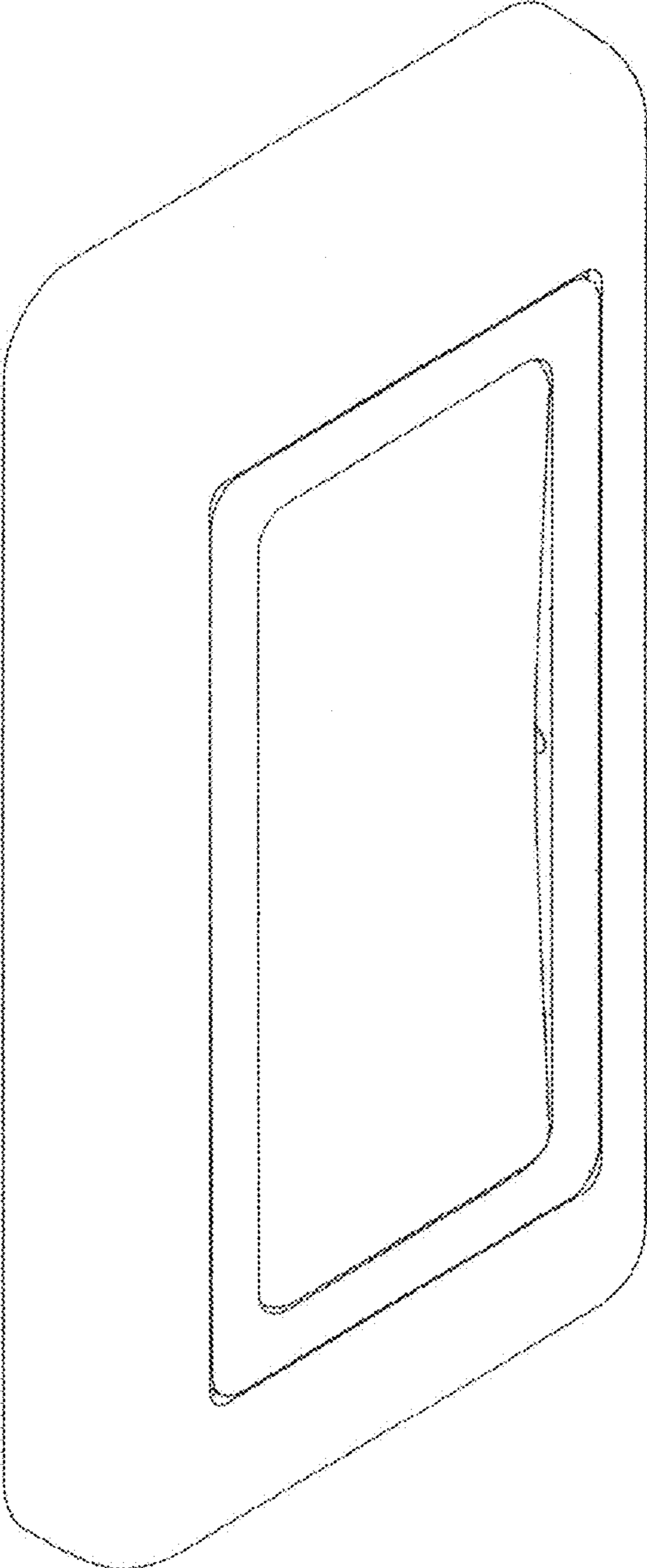


Fig. 1

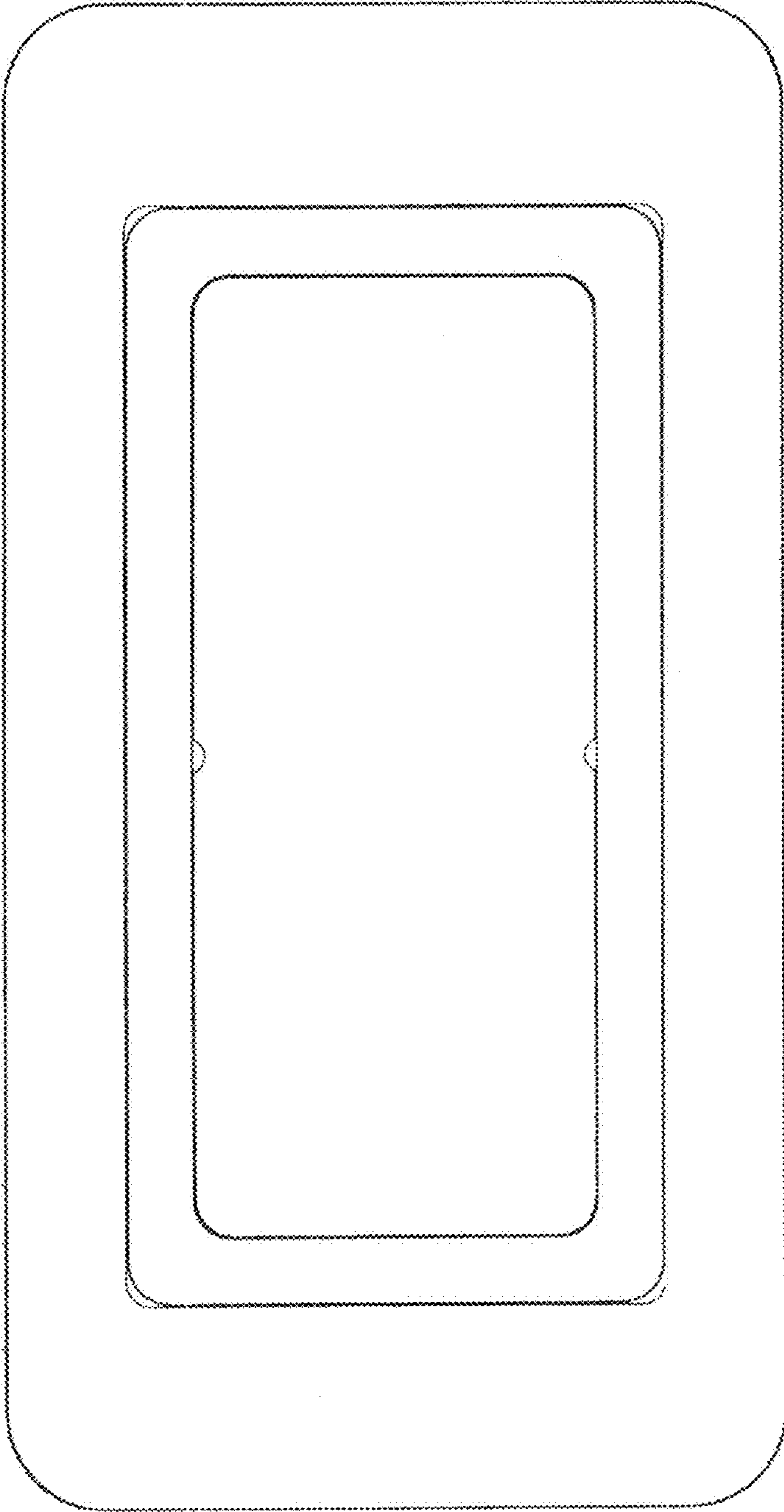


Fig.2

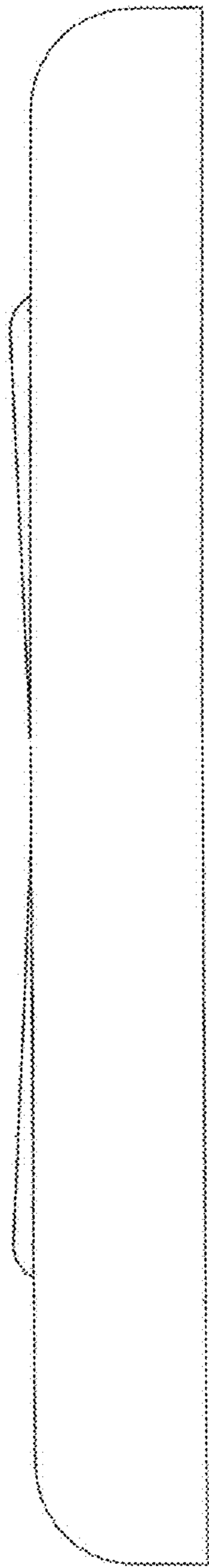


Fig.3

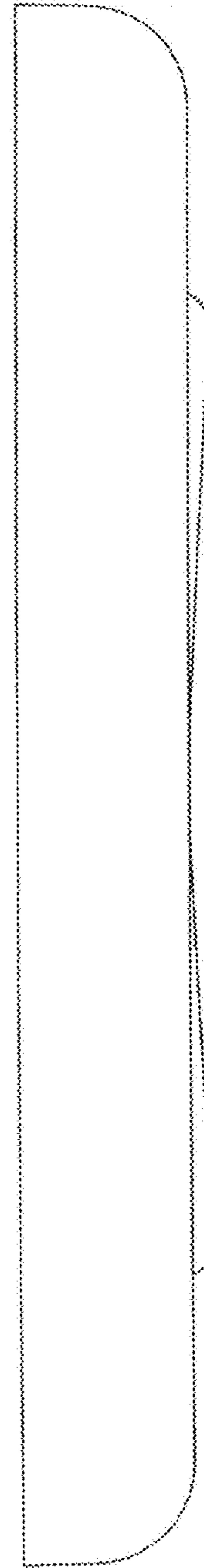


Fig.4

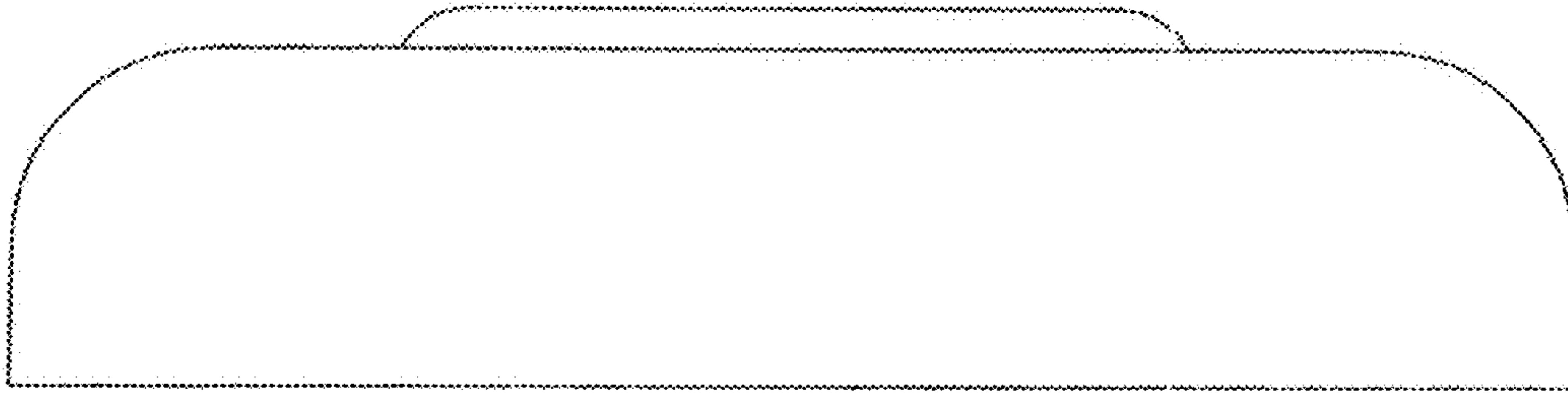


Fig. 5

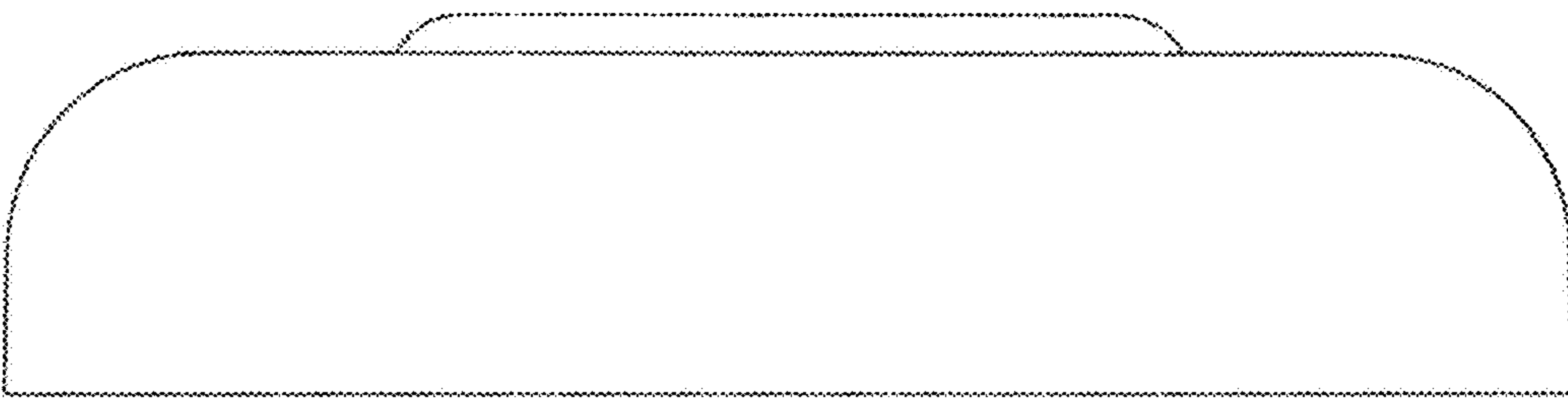


Fig. 6

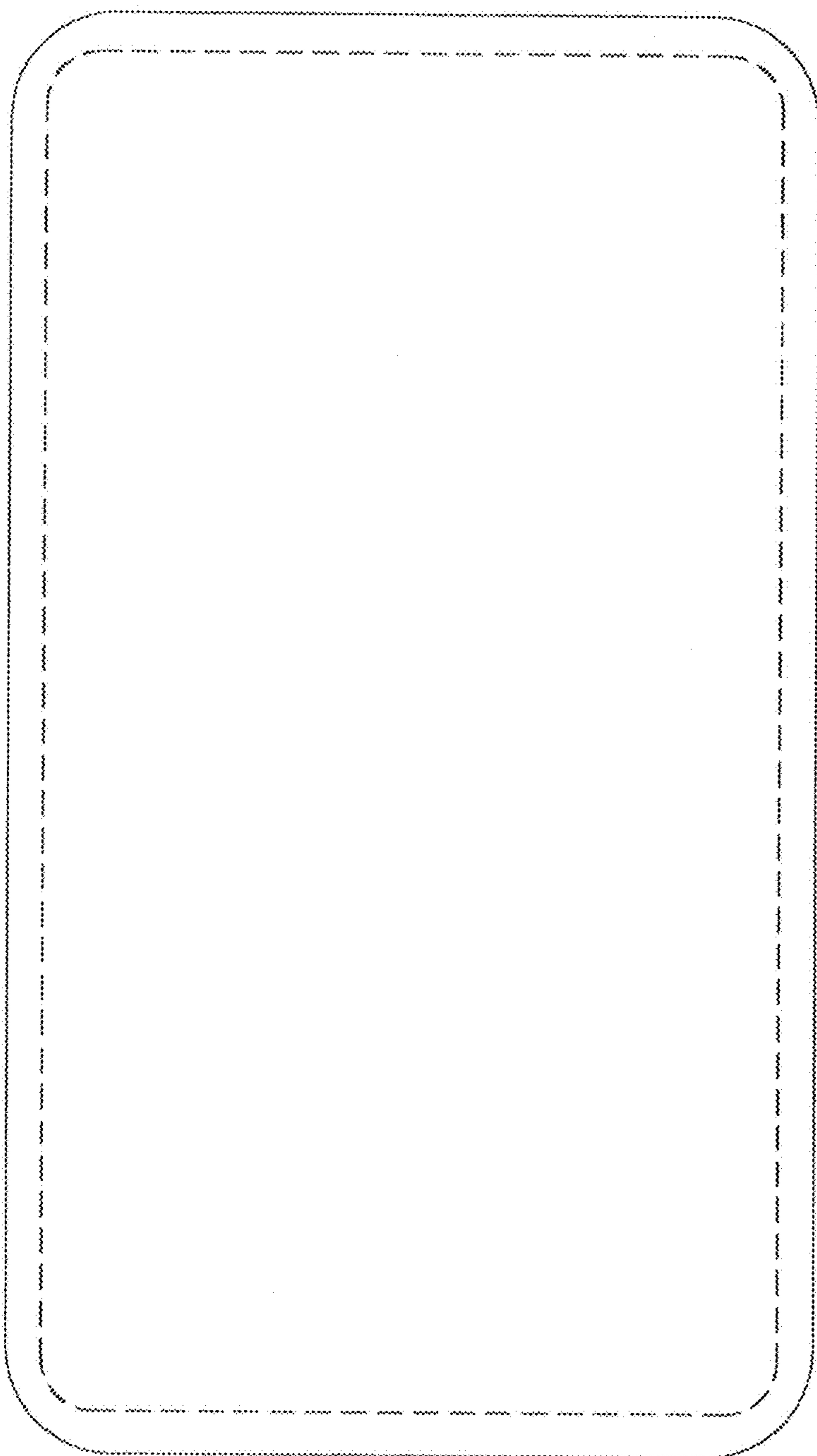


FIG. 7