



US00D989004S

(12) **United States Design Patent**
Müller

(10) **Patent No.:** **US D989,004 S**
(45) **Date of Patent:** **** Jun. 13, 2023**

- (54) **ELECTRICAL FITTING**
- (71) Applicant: **METZ CONNECT TECH GMBH**,
Blumberg (DE)
- (72) Inventor: **Hartmut Müller**, Bräunlingen (DE)
- (73) Assignee: **METZ CONNECT TECH GMBH**,
Blumberg (DE)
- (**) Term: **15 Years**
- (21) Appl. No.: **29/759,481**
- (22) Filed: **Nov. 23, 2020**
- (51) **LOC (14) Cl.** **13-03**
- (52) **U.S. Cl.**
USPC **D13/147; D13/154**
- (58) **Field of Classification Search**
USPC D13/120, 133, 146, 147, 152, 154, 156,
D13/158, 179; D14/188, 256
CPC . H04M 1/0293; H01R 24/64; H01R 13/5213;
G02B 6/32
See application file for complete search history.

(56) **References Cited**

U.S. PATENT DOCUMENTS

- 4,713,016 A * 12/1987 Kato H01R 13/5213
439/137
- D425,868 S * 5/2000 Doorhy D13/147
- D447,733 S * 9/2001 Ma D13/147
- D458,591 S * 6/2002 Chang D13/147
- D461,776 S * 8/2002 Chen D13/147
- D481,011 S * 10/2003 Su D13/147
- D637,964 S * 5/2011 Canning D13/154
- D652,799 S * 1/2012 Mueller D13/133
- 2002/0146114 A1* 10/2002 Kameya H04M 1/0293
379/433.05
- 2015/0277058 A1* 10/2015 Lin G02B 6/32
385/76

- 2016/0056595 A1* 2/2016 Gao H01R 24/64
439/345
- 2016/0056596 A1* 2/2016 Gao H01R 24/64
439/38
- 2016/0181747 A1* 6/2016 Gao H01R 24/64
439/620.21

FOREIGN PATENT DOCUMENTS

- DE 202020100083 U1 3/2020
- DE 402020100017-0001 4/2020

OTHER PUBLICATIONS

Adam Tech, Date: May 25, 2005, [online], [site visited Dec. 30, 2021]. Available from internet, URL: https://app.adam-tech.com/products/download/data_sheet/203802/mjtj-882bx1-data-sheet.pdf (Year: 2005).*

* cited by examiner

Primary Examiner — Shawn T Gingrich
Assistant Examiner — Bryan N. Melvin
(74) *Attorney, Agent, or Firm* — Nath, Goldberg & Meyer; Jerald L. Meyer; Morgan D. Rosenberg

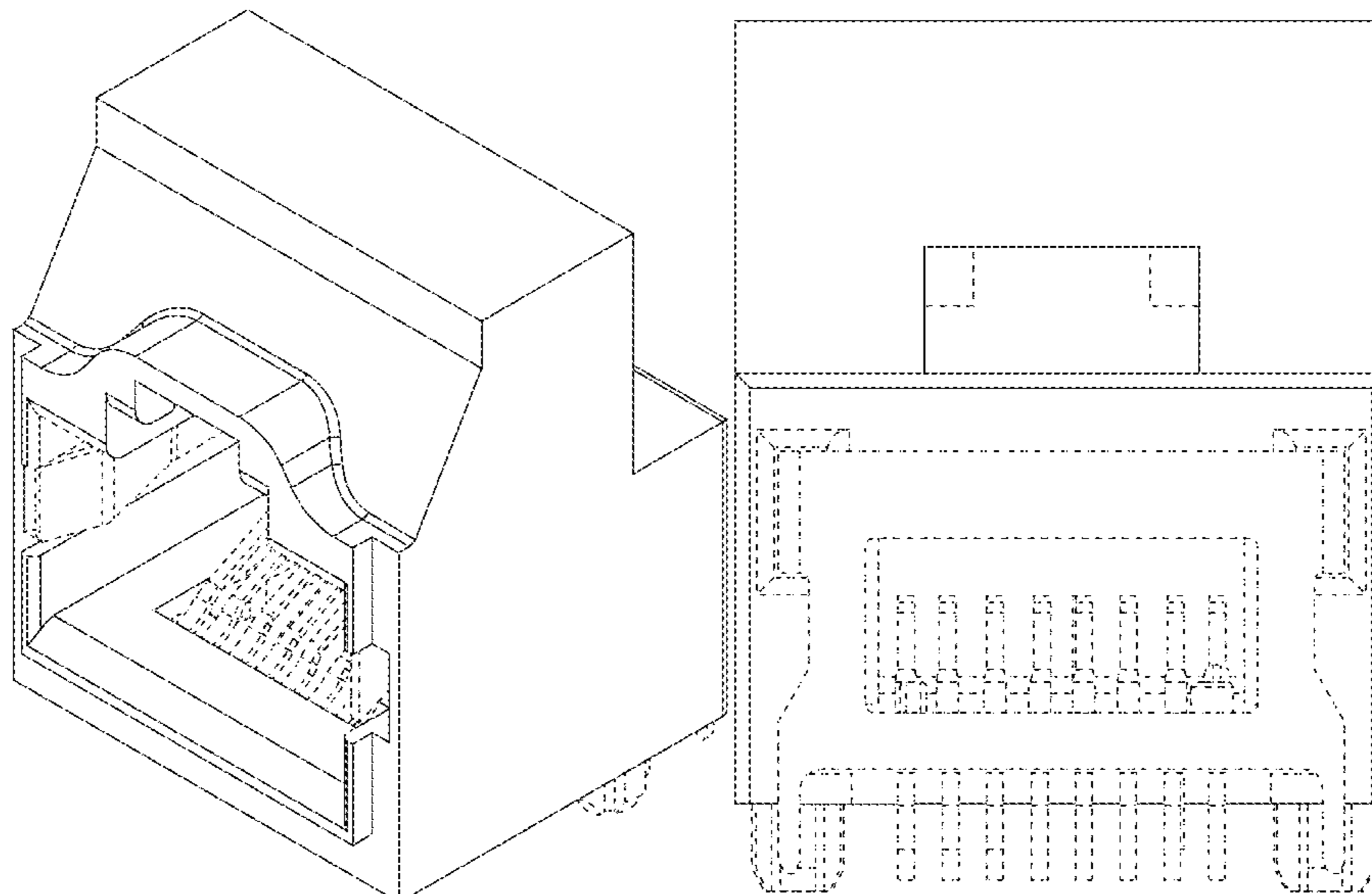
(57) **CLAIM**

The ornamental design for an electrical fitting, as shown and described.

DESCRIPTION

FIG. 1 is a perspective view of electrical fitting showing my new design;
FIG. 2 is a front view thereof;
FIG. 3 is a rear view thereof;
FIG. 4 is a right side view thereof;
FIG. 5 is a left side view thereof;
FIG. 6 is a top view thereof; and,
FIG. 7 is a bottom view thereof.
The broken line portion of the figure drawings is included to show portions of the electrical fitting that form no part of the claimed design.

1 Claim, 7 Drawing Sheets



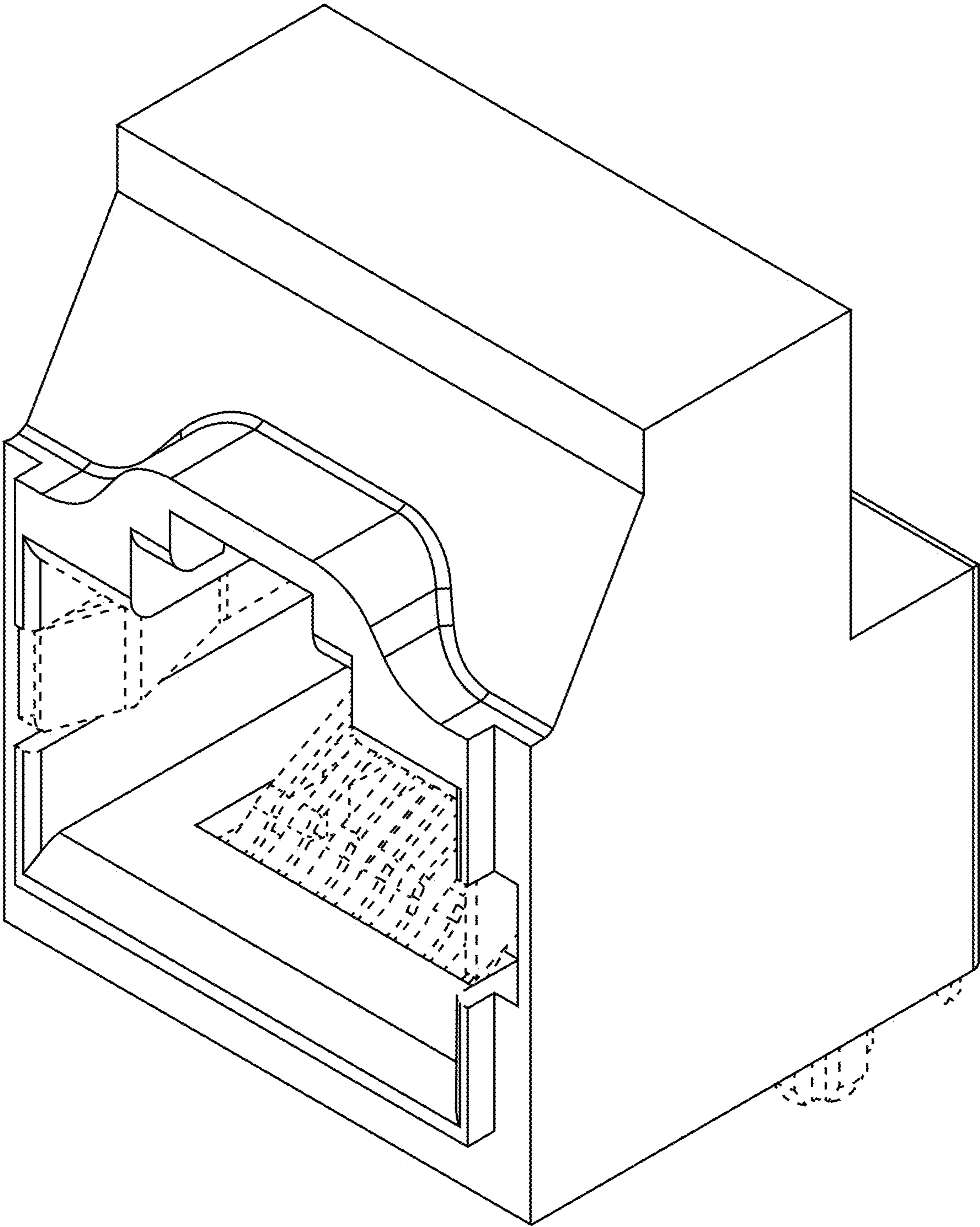


FIG. 1

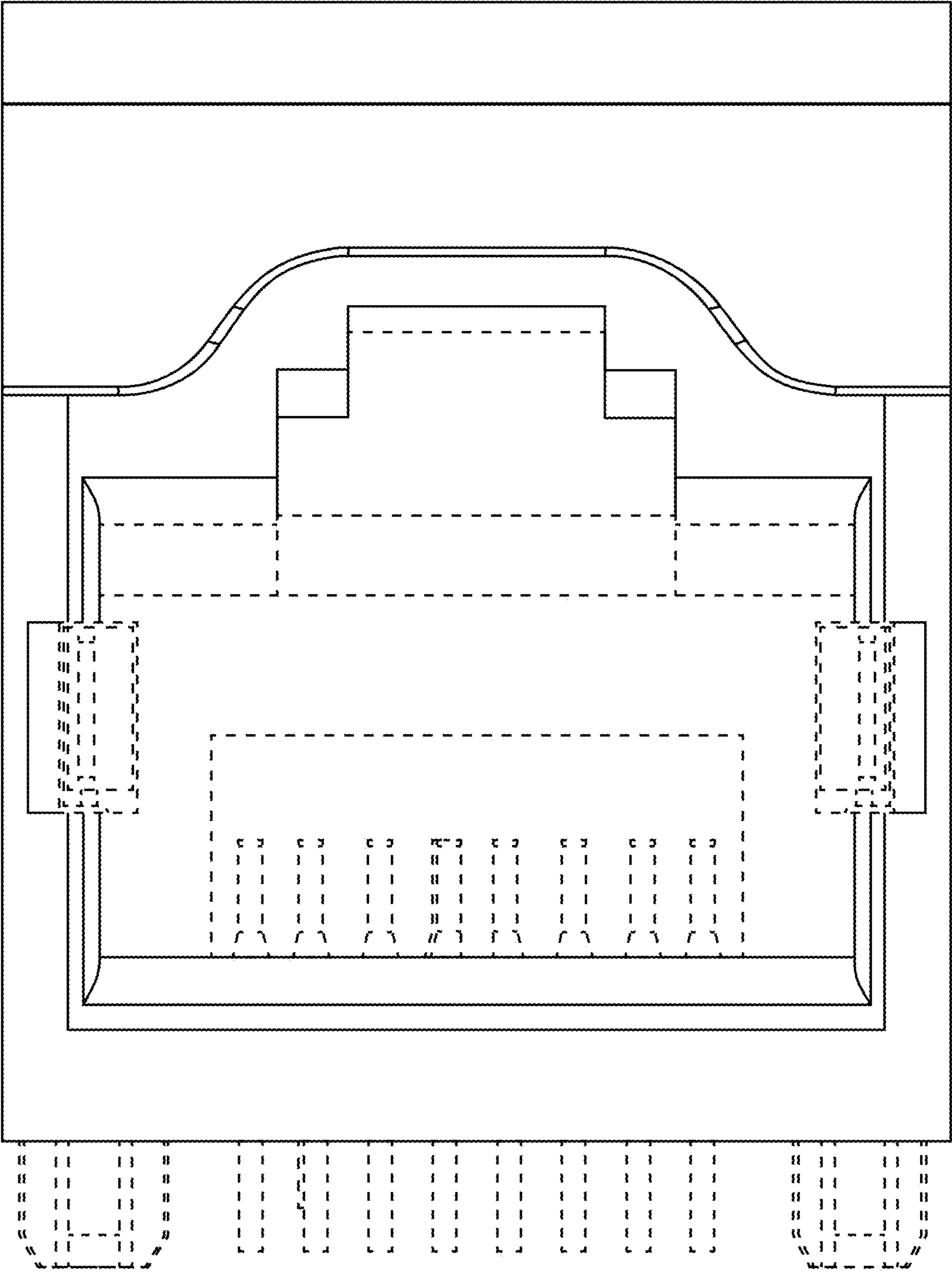


FIG. 2

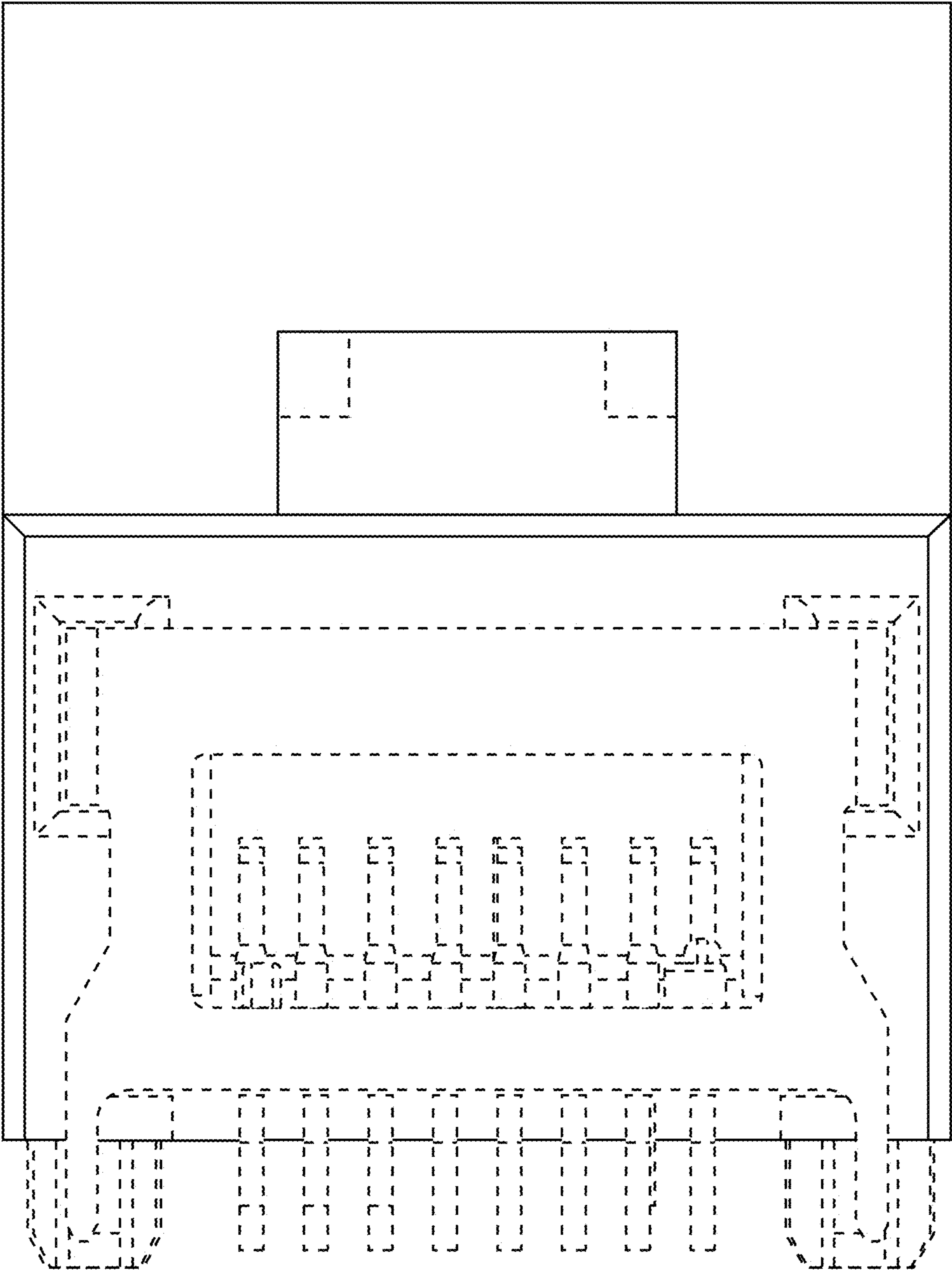


FIG. 3

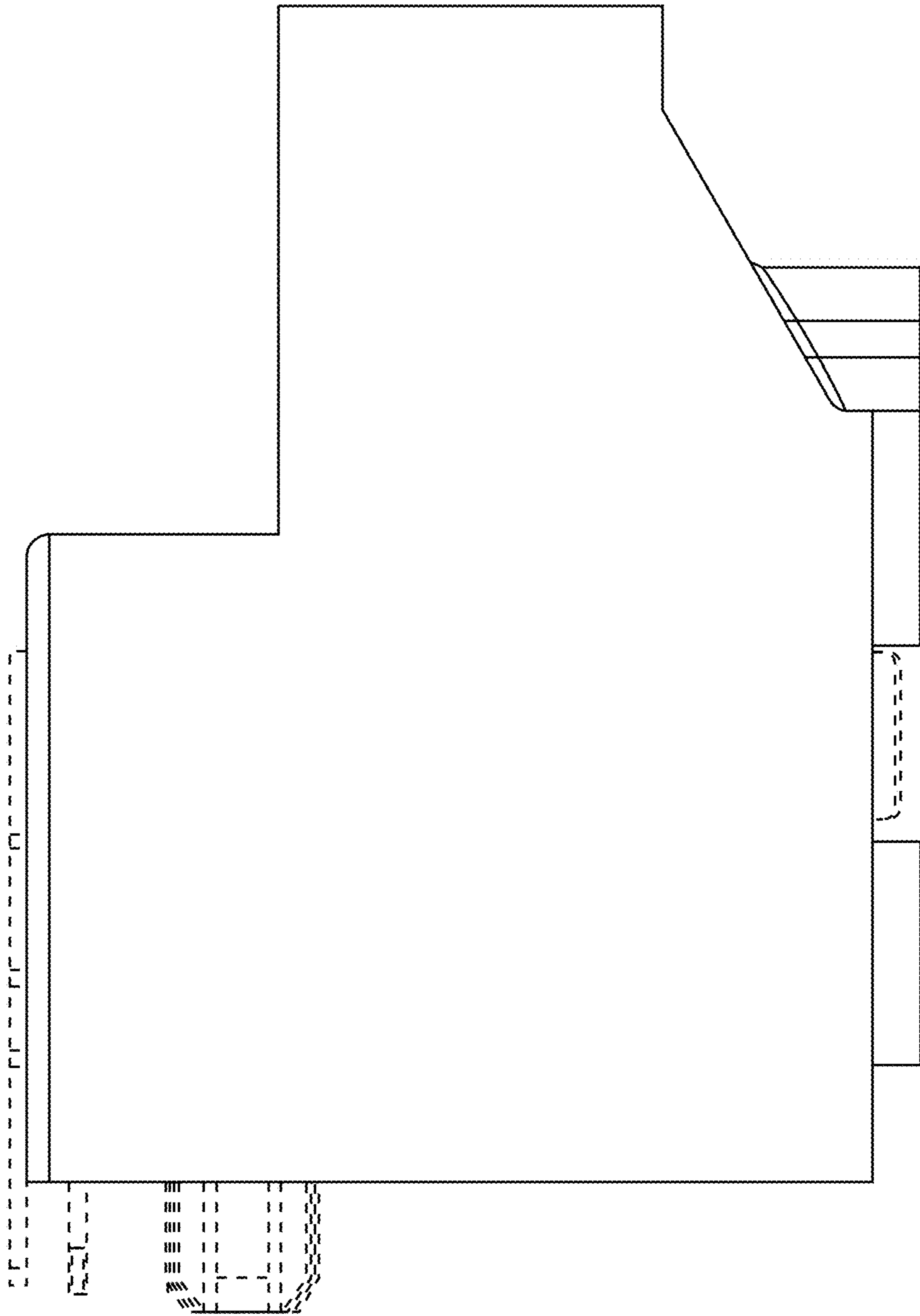


FIG. 4

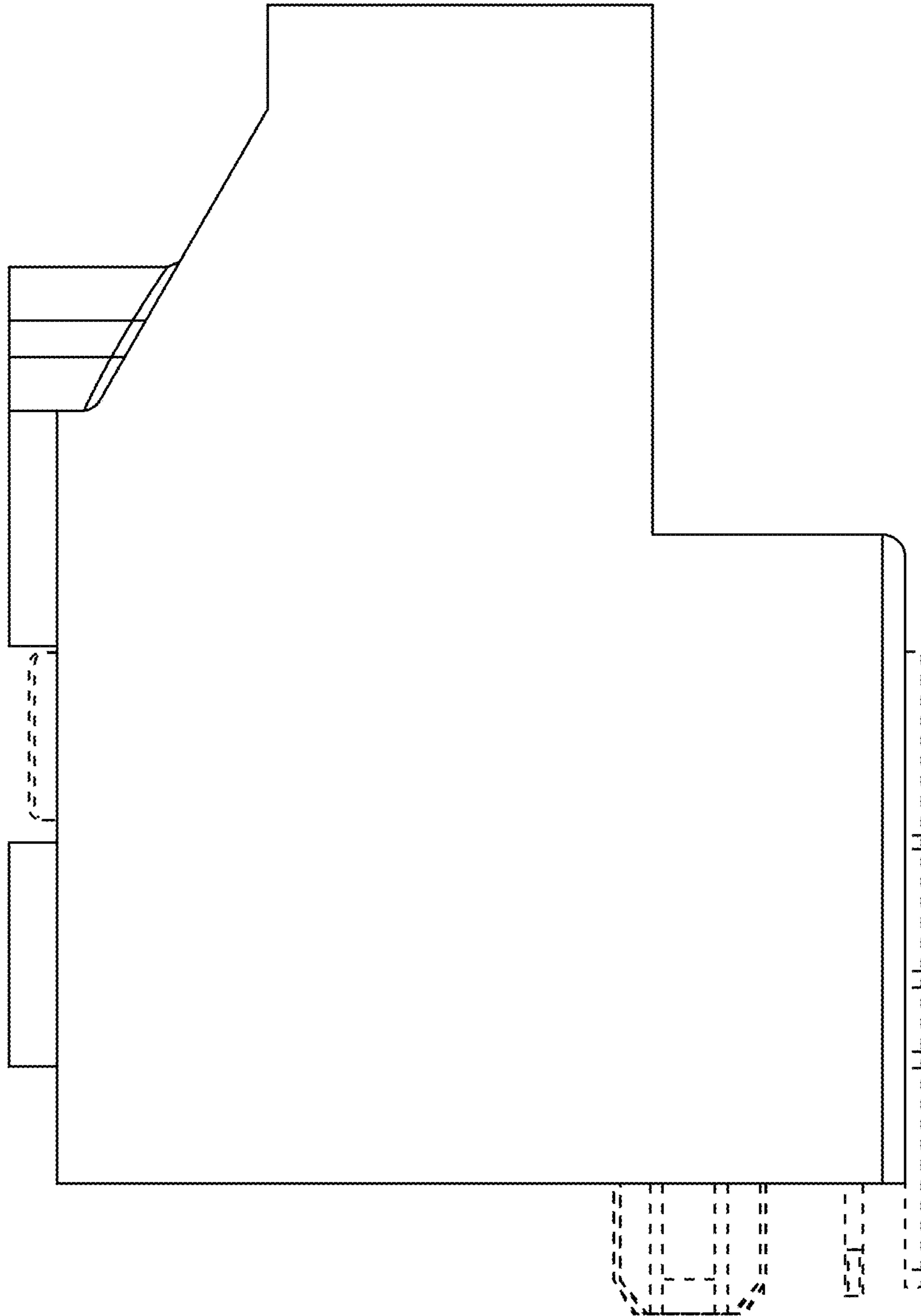


FIG. 5

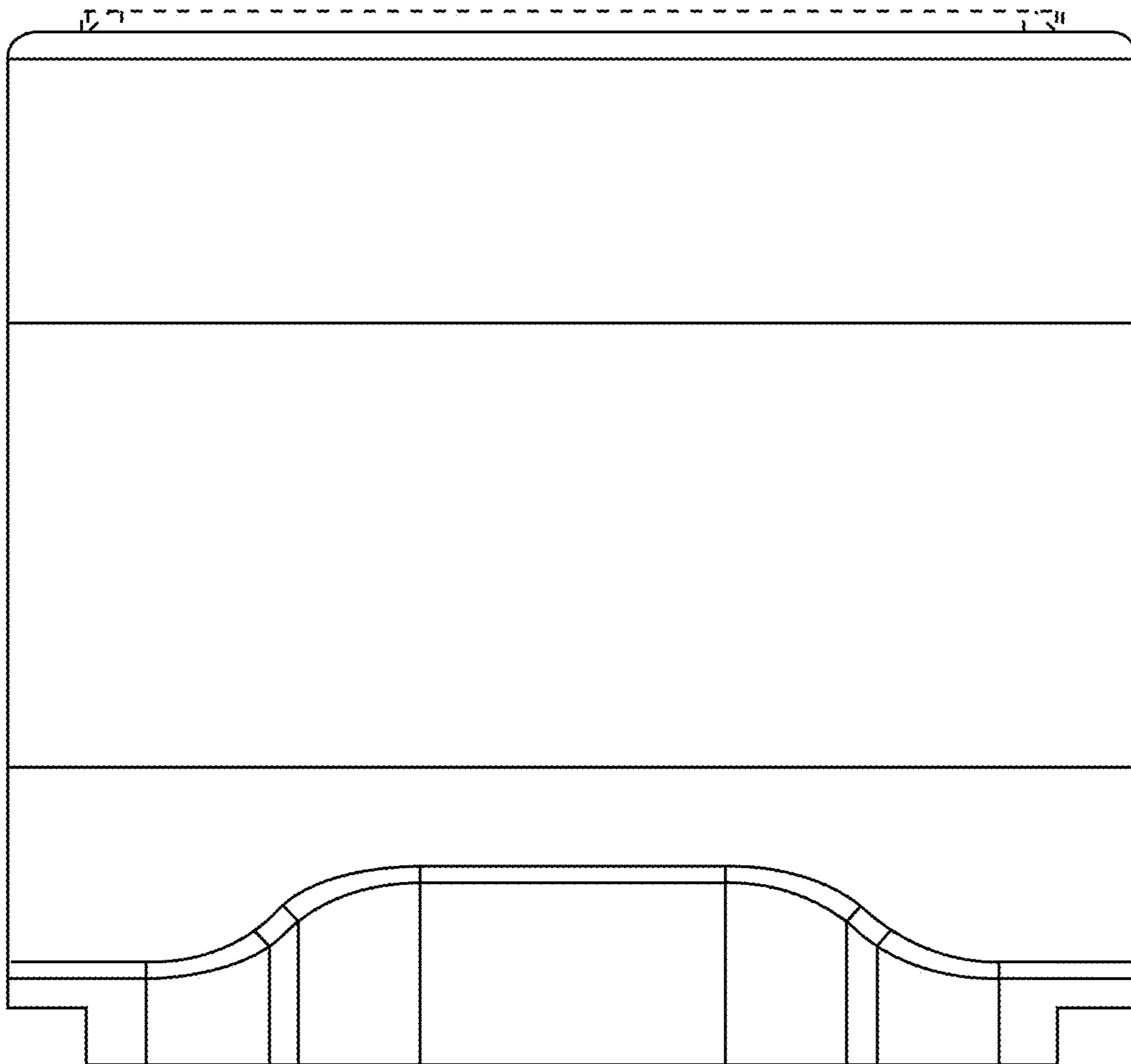


FIG. 6

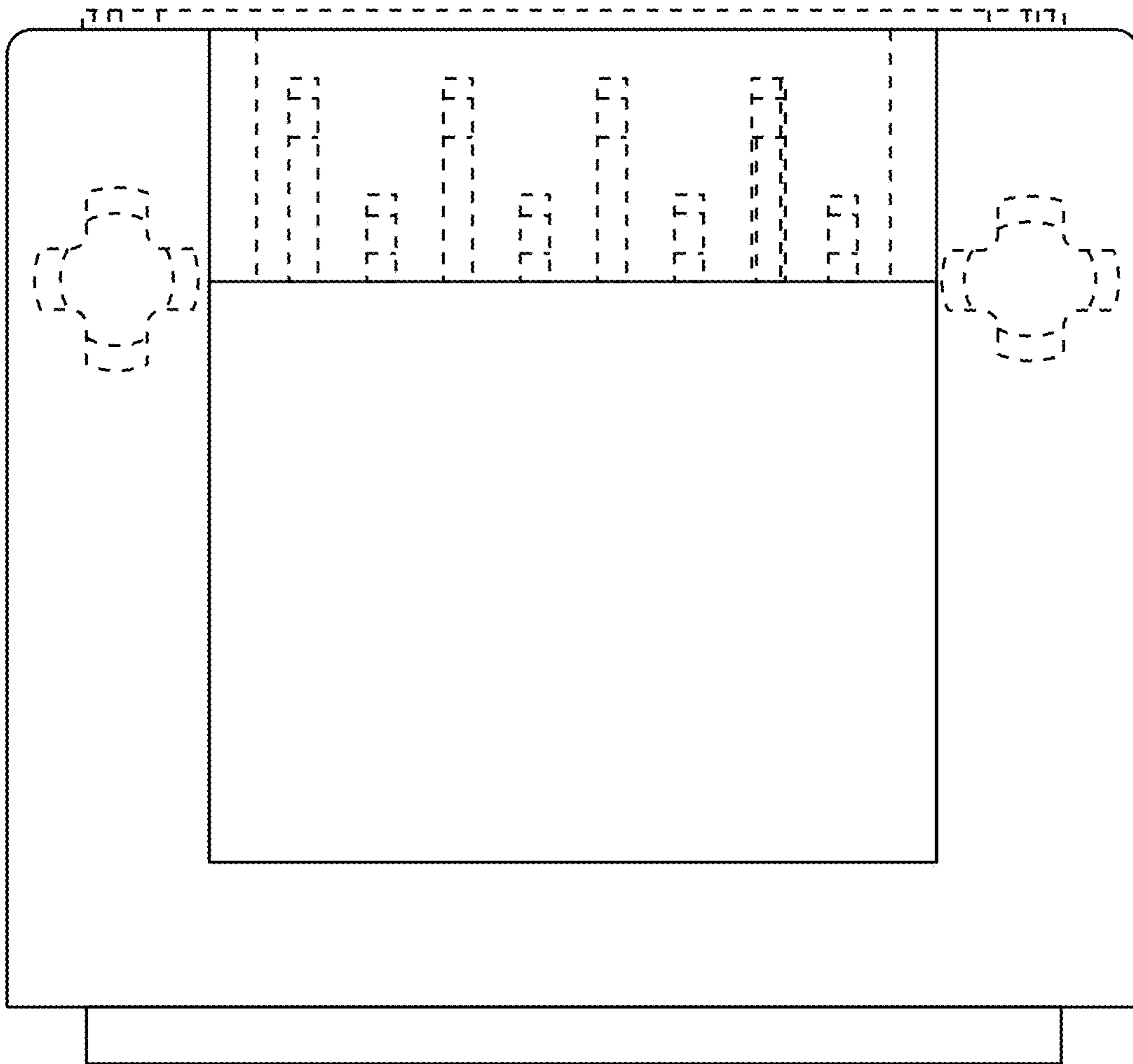


FIG. 7

UNITED STATES PATENT AND TRADEMARK OFFICE
CERTIFICATE OF CORRECTION

PATENT NO. : D989,004 S
APPLICATION NO. : 29/759481
DATED : June 13, 2023
INVENTOR(S) : Hartmut Müller

Page 1 of 1

It is certified that error appears in the above-identified patent and that said Letters Patent is hereby corrected as shown below:

On the Title Page

In the description, please delete the description of Figure 1 “a perspective view of electrical fitting showing my new design” and replace with “a perspective view of an electrical fitting showing my new design”.

Signed and Sealed this
Twenty-fifth Day of July, 2023
Katherine Kelly Vidal

Katherine Kelly Vidal
Director of the United States Patent and Trademark Office