



US00D989001S

(12) **United States Design Patent**  
**Liddle**

(10) **Patent No.:** **US D989,001 S**  
(45) **Date of Patent:** **\*\* Jun. 13, 2023**

(54) **ELECTRICAL APPLIANCE**  
(71) Applicant: **Splitvolt, Inc.**, Santa Clara, CA (US)  
(72) Inventor: **Daniel Liddle**, Gilroy, CA (US)  
(73) Assignee: **Splitvolt, Inc.**, Santa Clara, CA (US)  
(\*\*) Term: **15 Years**

D731,966 S \* 6/2015 Rabalais ..... D13/107  
D800,662 S \* 10/2017 Wu ..... D13/137.1  
D821,971 S \* 7/2018 Yang ..... D13/107  
D851,596 S \* 6/2019 Koch ..... D13/137.2  
D871,341 S \* 12/2019 Jensen ..... D13/137.1  
D879,720 S \* 3/2020 Gao ..... D13/137.3  
D882,520 S \* 4/2020 Little ..... D13/137.2  
D900,747 S \* 11/2020 Huang ..... D13/137.2  
D913,922 S \* 3/2021 You ..... D13/110

(Continued)

(21) Appl. No.: **29/795,099**  
(22) Filed: **Jun. 16, 2021**  
(51) **LOC (14) Cl.** ..... **13-03**  
(52) **U.S. Cl.**  
USPC ..... **D13/137.2**  
(58) **Field of Classification Search**  
USPC ..... D13/137.1, 137.2, 137.3, 137.4, 138.1,  
D13/138.2, 139.1, 139.2, 139.3, 139.4,  
D13/139.5, 139.6, 139.7, 139.8, 184, 199,  
D13/107  
CPC .... H01R 13/11; H01R 13/518; H01R 13/642;  
H01R 13/652; H01R 25/003; H01R  
25/006; H01R 43/26; H01H 71/62; H01H  
73/14; H02J 7/00; H02J 7/0013; H02J  
7/0014; H02J 7/0016; H02J 7/0018  
See application file for complete search history.

**OTHER PUBLICATIONS**

“Multi Plug Outlet Extender, Lencent 3 Outlets Splitter with 3 USB, Wall Charger, 3-Side Widely Spaced Wall Tap, Multiple Charger Box Expander for Home, Office, Dorm, Cruise Ship Approved—White”, first available Nov. 3, 2020. Amazon.com [https://www.amazon.com/dp/B08ML7RS2V] (Year: 2020).\*

(Continued)

*Primary Examiner* — Rosemary K Tarcza  
*Assistant Examiner* — Seth David Kumpf  
(74) *Attorney, Agent, or Firm* — Fenwick & West LLP

(57) **CLAIM**

The ornamental design for an electrical appliance, as shown and described.

**DESCRIPTION**

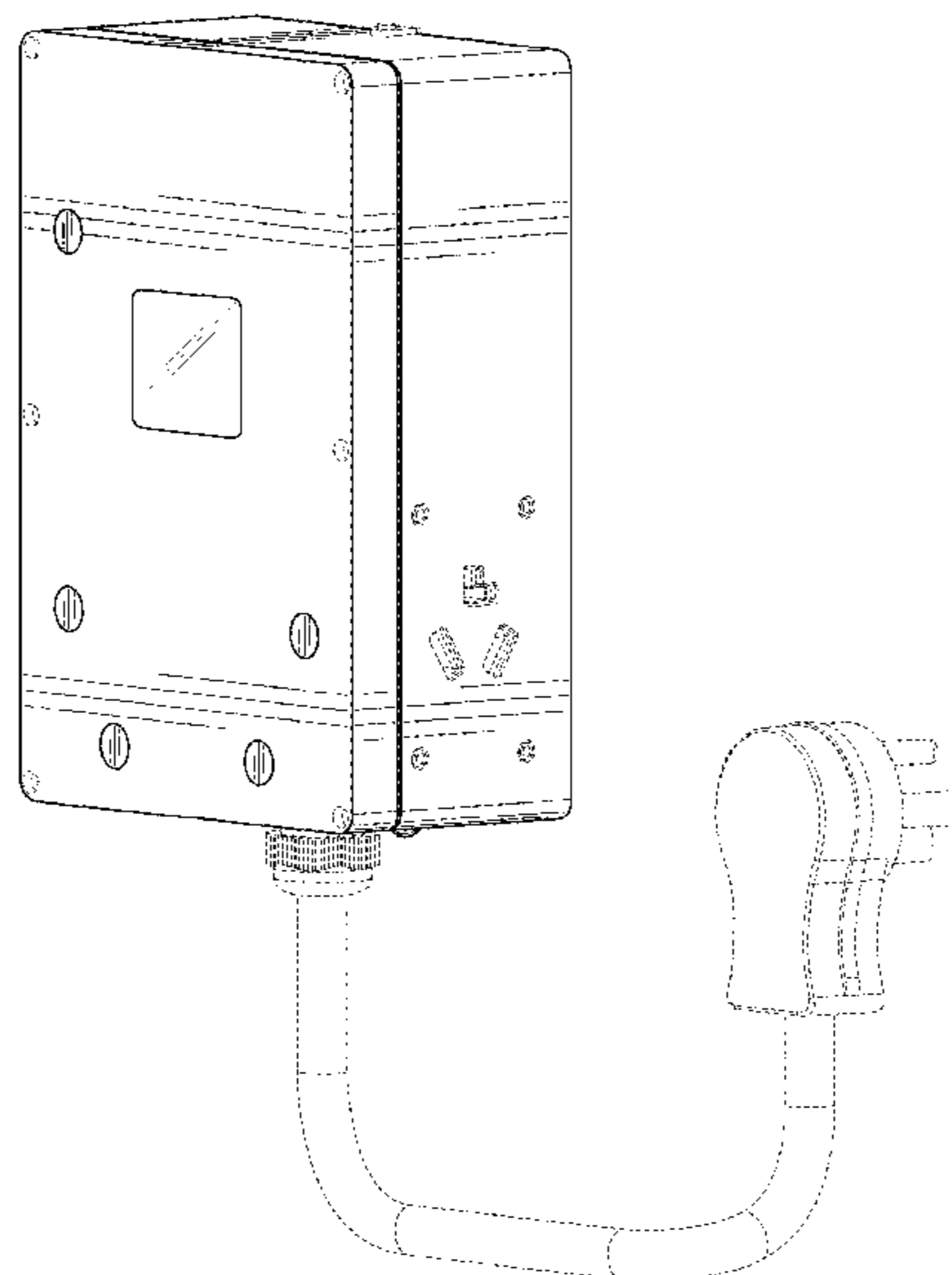
FIG. 1 is a front and right perspective view of an electrical appliance;  
FIG. 2 is a front view thereof;  
FIG. 3 is a back view thereof;  
FIG. 4 is a left view thereof;  
FIG. 5 is a right view thereof;  
FIG. 6 is a top view thereof; and,  
FIG. 7 is a bottom view thereof.  
The broken lines in the drawings are included for the purpose of illustrating portions of the electrical appliance that form no part of the claimed design.

**1 Claim, 7 Drawing Sheets**

(56) **References Cited**

**U.S. PATENT DOCUMENTS**

D285,787 S \* 9/1986 Schwartz ..... D13/137.3  
D310,203 S \* 8/1990 Takahashi ..... D13/107  
D400,855 S \* 11/1998 Lee ..... D13/107  
D549,650 S \* 8/2007 Russell ..... D13/137.2  
D587,203 S \* 2/2009 Dennes ..... D13/133  
D592,141 S \* 5/2009 Mancari ..... D13/139.1  
D602,434 S \* 10/2009 Mancari ..... D13/139.1  
D651,175 S \* 12/2011 Liang-Hsu ..... D13/139.1  
D657,314 S \* 4/2012 Ruffner ..... D13/139.1  
D660,236 S \* 5/2012 Liang-Hsu ..... D13/139.1  
D693,769 S \* 11/2013 Picard ..... D13/137.1  
D702,639 S \* 4/2014 Ruffner ..... D13/110



(56)

**References Cited**

U.S. PATENT DOCUMENTS

D934,171 S	*	10/2021	Yuan	.....	D13/110
D935,391 S	*	11/2021	McCool	.....	D13/107
D953,269 S	*	5/2022	Yuan	.....	D13/137.1
D960,826 S	*	8/2022	Wu	.....	D13/107
D975,004 S	*	1/2023	Peng	.....	D13/107
2011/0163712 A1	*	7/2011	Chen	.....	H01M 10/488 320/107

OTHER PUBLICATIONS

“Multi Plug Outlet, Trond Outlet Extender with 4 USB Wall Charger, Surge Protector, 8 Plug Extender, Wall Outlet Expander, Outlet Splitter for Home Kitchen Office Dorm Room Essentials”, first available Mar. 21, 2022. Amazon.com [https://www.amazon.com/dp/B09QG7P9CH] (Year: 2022).\*

“15 amp Blade Duo In Drawer Outlet”, first accessed Oct. 13, 2022. DockingDrawer.com [https://dockingdrawer.com/products/blade-duo-15-amps?variant=32938592010283] (Year: 2022).\*

“Aida 10-30R Dryer Outlet 30-Amp 3-Pole, 3-Wire 125/250-Volts Non-grounding Heavy Duty Flush Mount Power Receptacle for Dryer, Space Heaters, UL Listed, 030626”, first available Sep. 2, 2019. Amazon.com [https://www.amazon.com/dp/B07X8M6BG4] (Year: 2019).\*

“Outlet Extender, Hicity Multi Plug Outlet with 6 Electrical Outlets Adapter, 3-Prong Wall Outlet Tap for Cruise Ship Home Office Dorm, White (2 Pack)”, first available Nov. 7, 2020. Amazon.com [https://www.amazon.com/dp/B08MX4X2Z2] (Year: 2020).\*

“Enerlites 30 Amp Dryer Receptacle, Outlet for Electric Dryers, NEMA 10-30R, Residential Commercial Industrial Grade, Outdoor/Indoor, 3-Pole, 3 Wire, No Ground Contact, UL Listed, 67300-BK, Black”, first available May 1, 2019. Amazon.com [https://www.amazon.com/dp/B07RCLBV2B] (Year: 2019).\*

Qualtek Electronics Corporation, “NEMA Configurations Chart: North American Non-Locking Plugs and Receptacles,” Sep. 4, 2016, one page.

\* cited by examiner

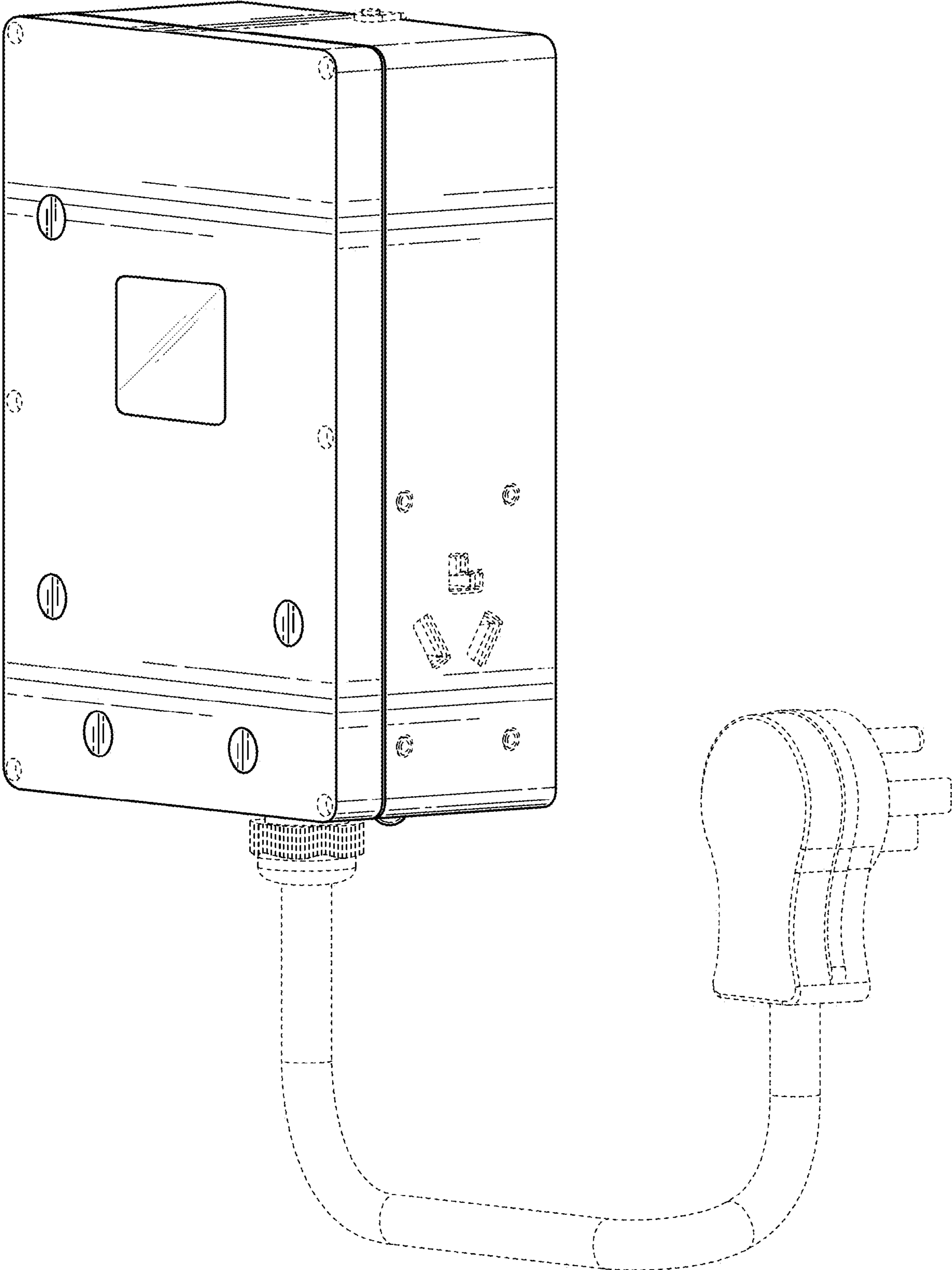


FIG. 1

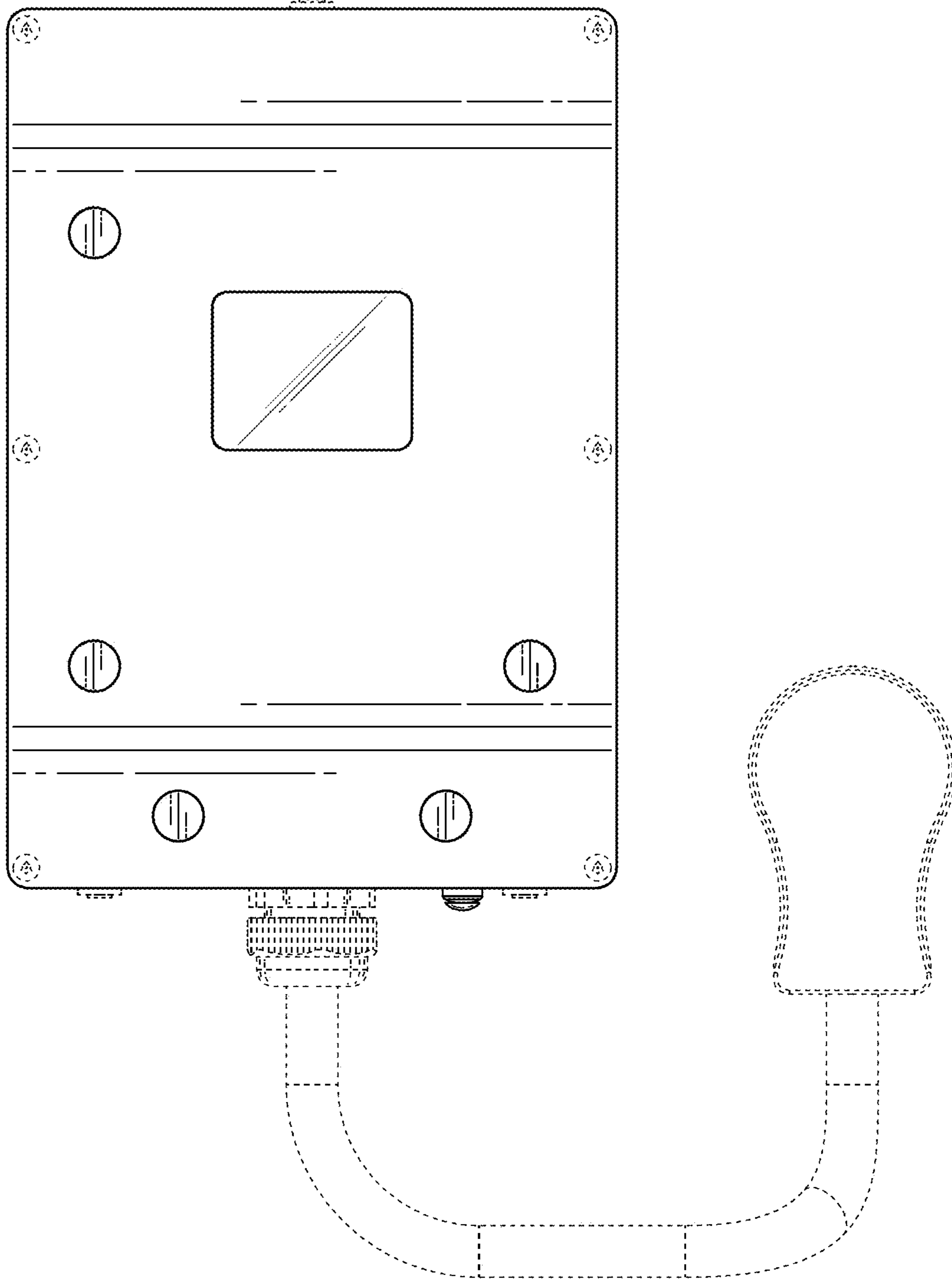


FIG. 2

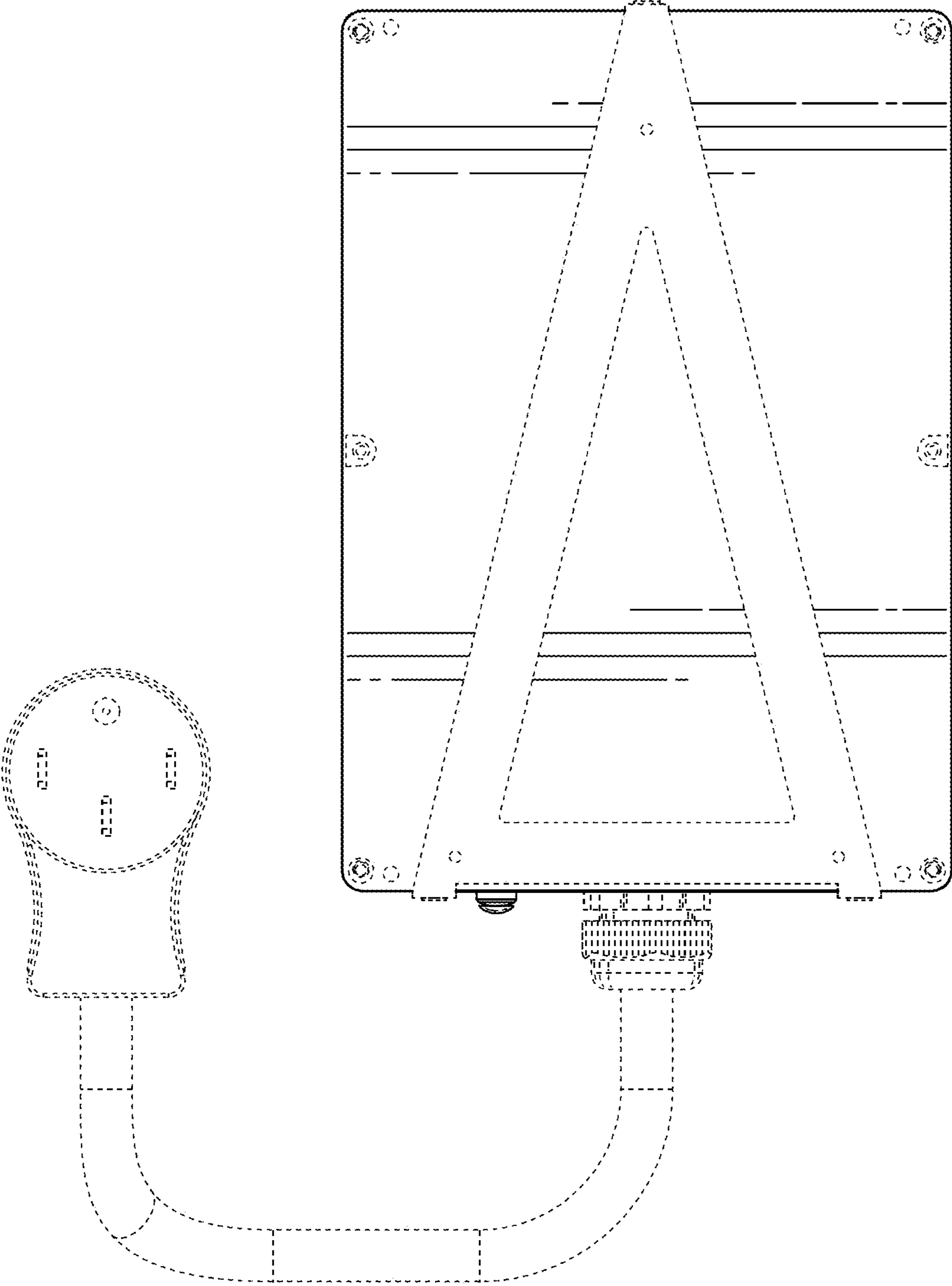


FIG. 3

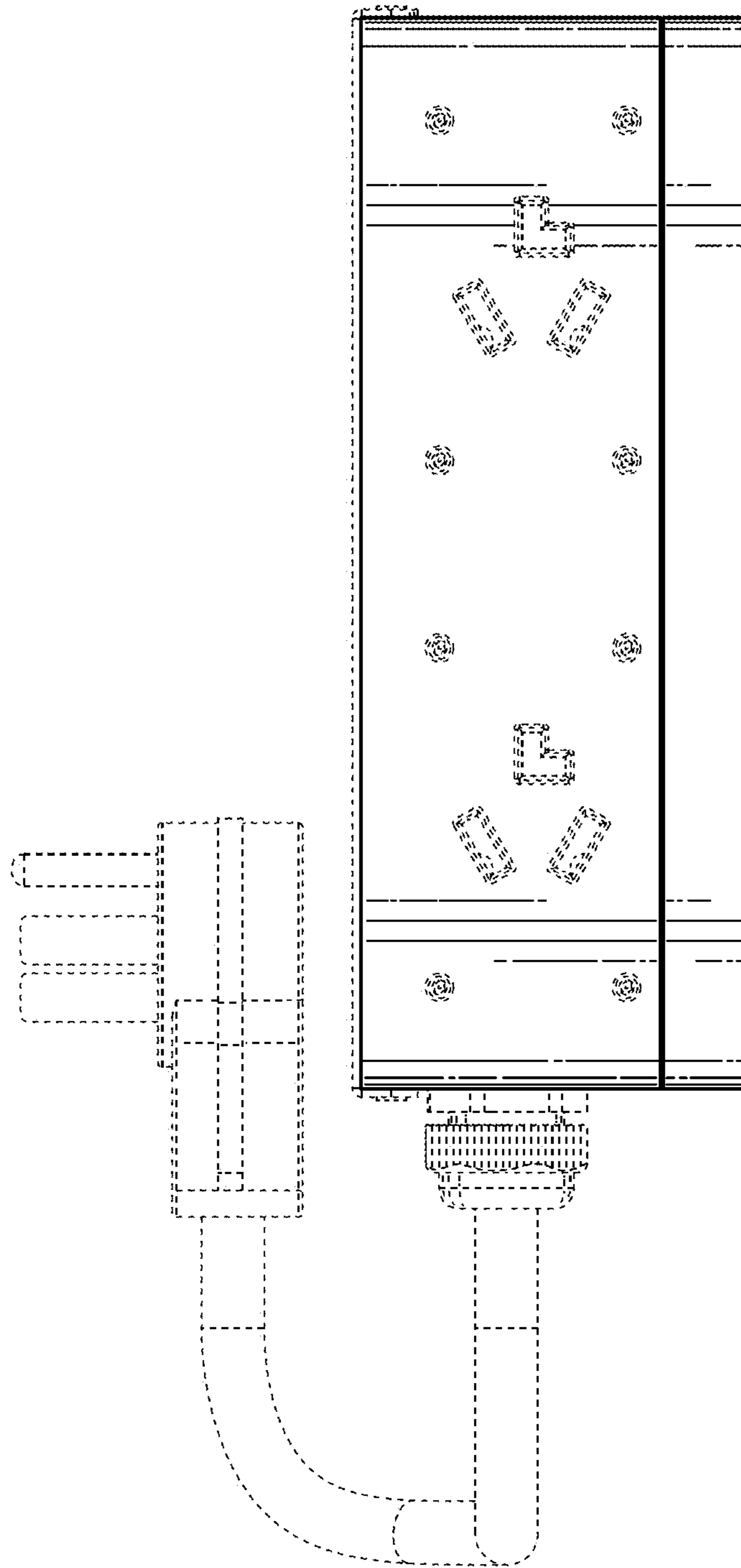


FIG. 4

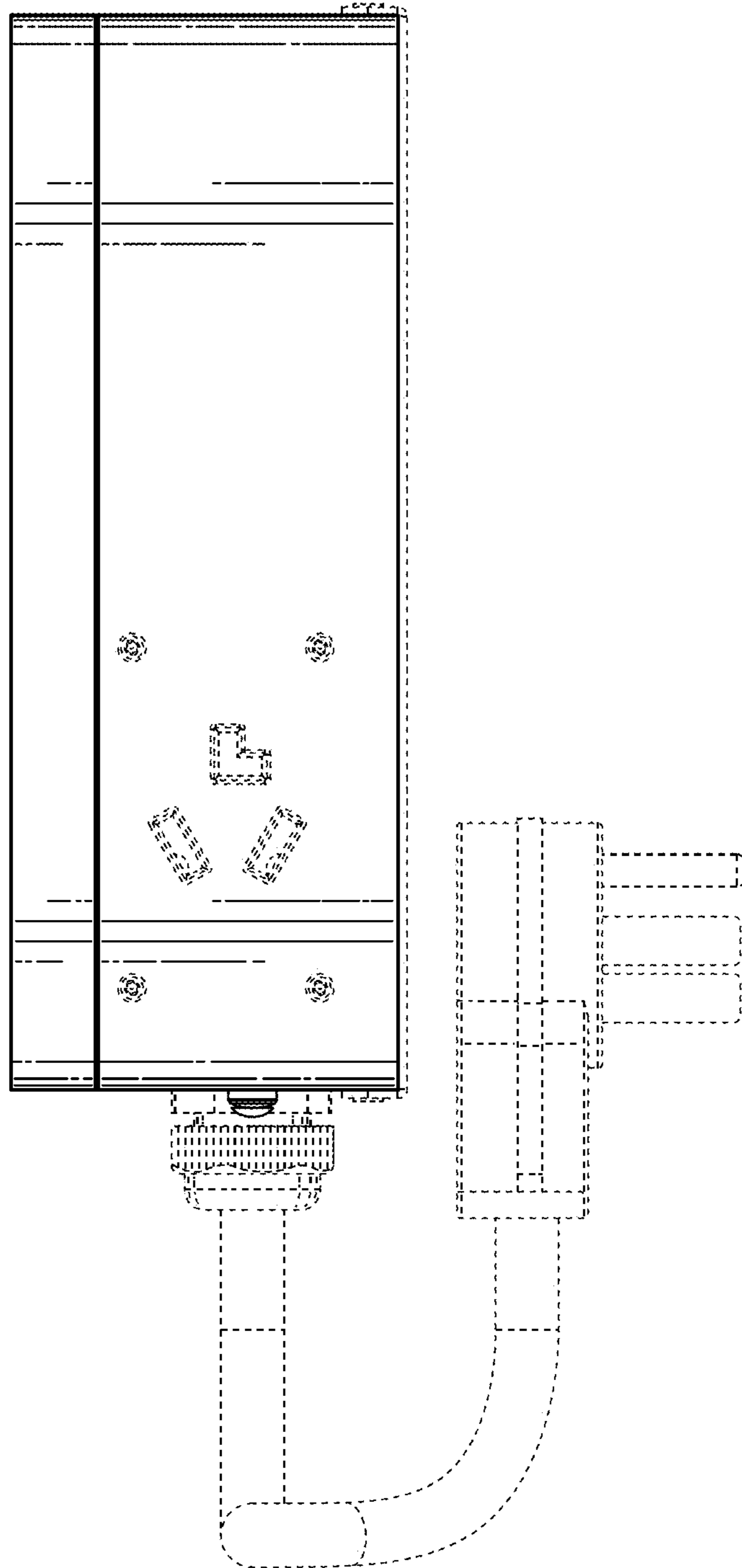


FIG. 5

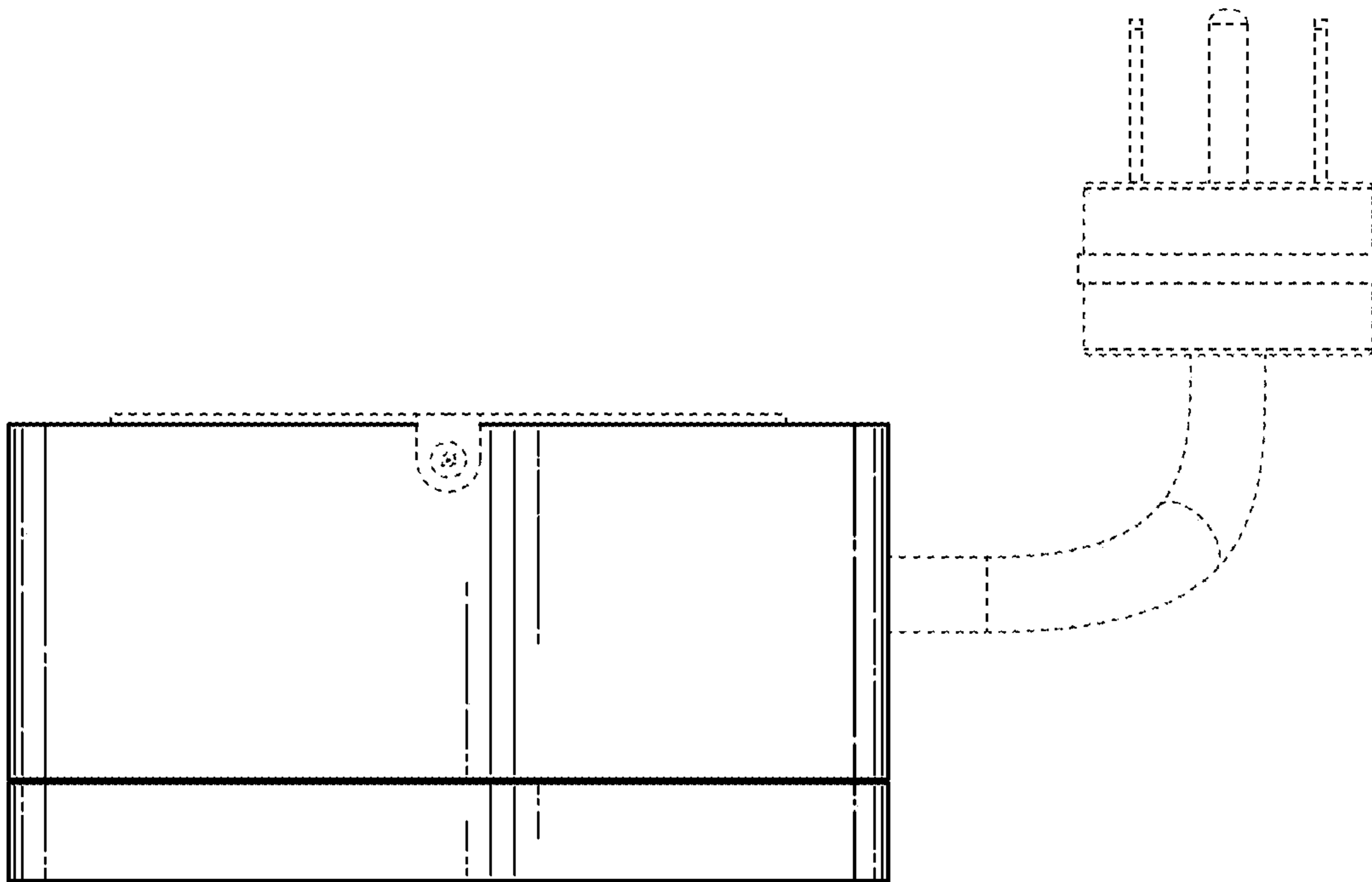


FIG. 6



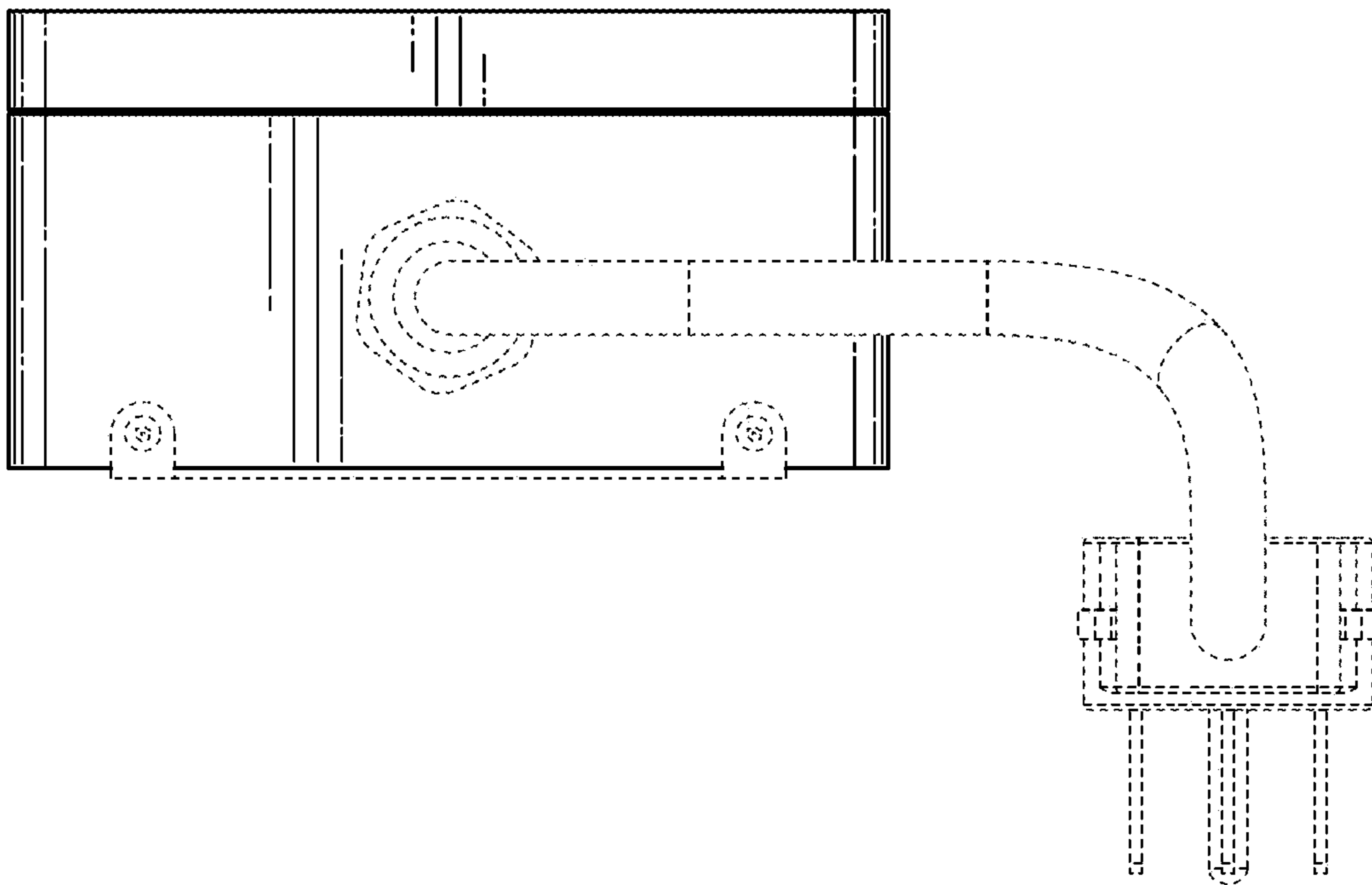


FIG. 7