



US00D989000S

(12) **United States Design Patent**
Xiang et al.

(10) **Patent No.:** **US D989,000 S**
(45) **Date of Patent:** **** Jun. 13, 2023**

(54) **CONNECTOR**

(71) Applicant: **Vertiv Corporation**, Columbus, OH
(US)

(72) Inventors: **Xin Xiang**, Shenzhen (CN); **Fujun Shou**, Shenzhen (CN); **Xiang Zhang**, Shenzhen (CN)

(73) Assignee: **Vertiv Corporation**, Columbus, OH
(US)

(**) Term: **15 Years**

(21) Appl. No.: **29/761,454**

(22) Filed: **Dec. 9, 2020**

(30) **Foreign Application Priority Data**

Jul. 21, 2020 (CN) 202030398651.7

(51) **LOC (14) Cl.** **13-03**

(52) **U.S. Cl.**
USPC **D13/133; D13/147; D13/149; D13/154**

(58) **Field of Classification Search**
USPC D8/387, 396-397; D13/133, 146-147, D13/149, 151, 154, 156, 158; D23/262; D24/138; D26/24, 49, 138
CPC .. G02B 6/3878; G02B 6/3897; H01R 13/621; H01R 13/625; H01R 43/18; H05K 5/03; H05K 5/061; H05K 5/0208; H05K 5/0217; H05K 5/0247
See application file for complete search history.

(56) **References Cited**

U.S. PATENT DOCUMENTS

4,820,185 A * 4/1989 Moulin G02B 6/3878
439/321
D368,250 S * 3/1996 Castaldo D13/156
D525,202 S * 7/2006 Bihrer D13/146
D531,576 S * 11/2006 Bernardini D13/146
D647,481 S * 10/2011 Ohmori D13/133

D661,659 S * 6/2012 Natoli D13/154
D673,118 S * 12/2012 Giefers D13/133
D781,787 S * 3/2017 Spiel D13/149
D836,069 S * 12/2018 Barrefelt D13/133
D836,070 S * 12/2018 Barrefelt D13/133
2011/0206333 A1* 8/2011 Allain H01R 13/625
385/134

(Continued)

OTHER PUBLICATIONS

Cnlinko, Date: Aug. 14, 2019, [online], [site visited Sep. 26, 2022]. Available from internet, URL: <https://www.amazon.com/dp/B08783M4R2> (Year: 2019).*

(Continued)

Primary Examiner — Shawn T Gingrich

Assistant Examiner — Bryan N. Melvin

(74) *Attorney, Agent, or Firm* — Harness, Dickey & Pierce, P.L.C.

(57) **CLAIM**

The ornamental design for a connector, as shown and described.

DESCRIPTION

FIG. 1 is a left front perspective view of a connector according to the present application, showing our new design;

FIG. 2 is a right rear perspective view of a connector according to the present application, showing our new design;

FIG. 3 is a front view thereof;

FIG. 4 is a rear view thereof;

FIG. 5 is a left-side view thereof;

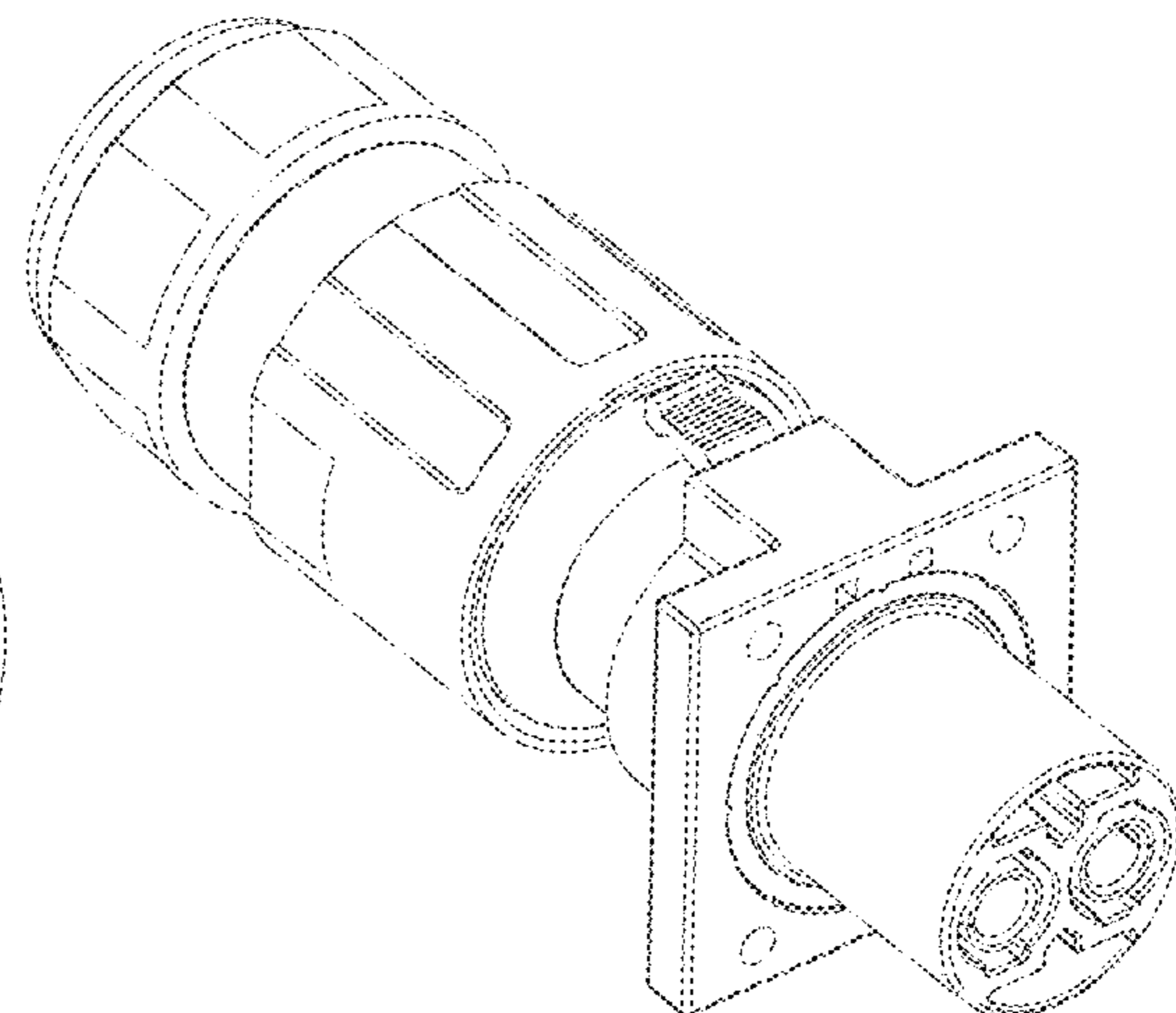
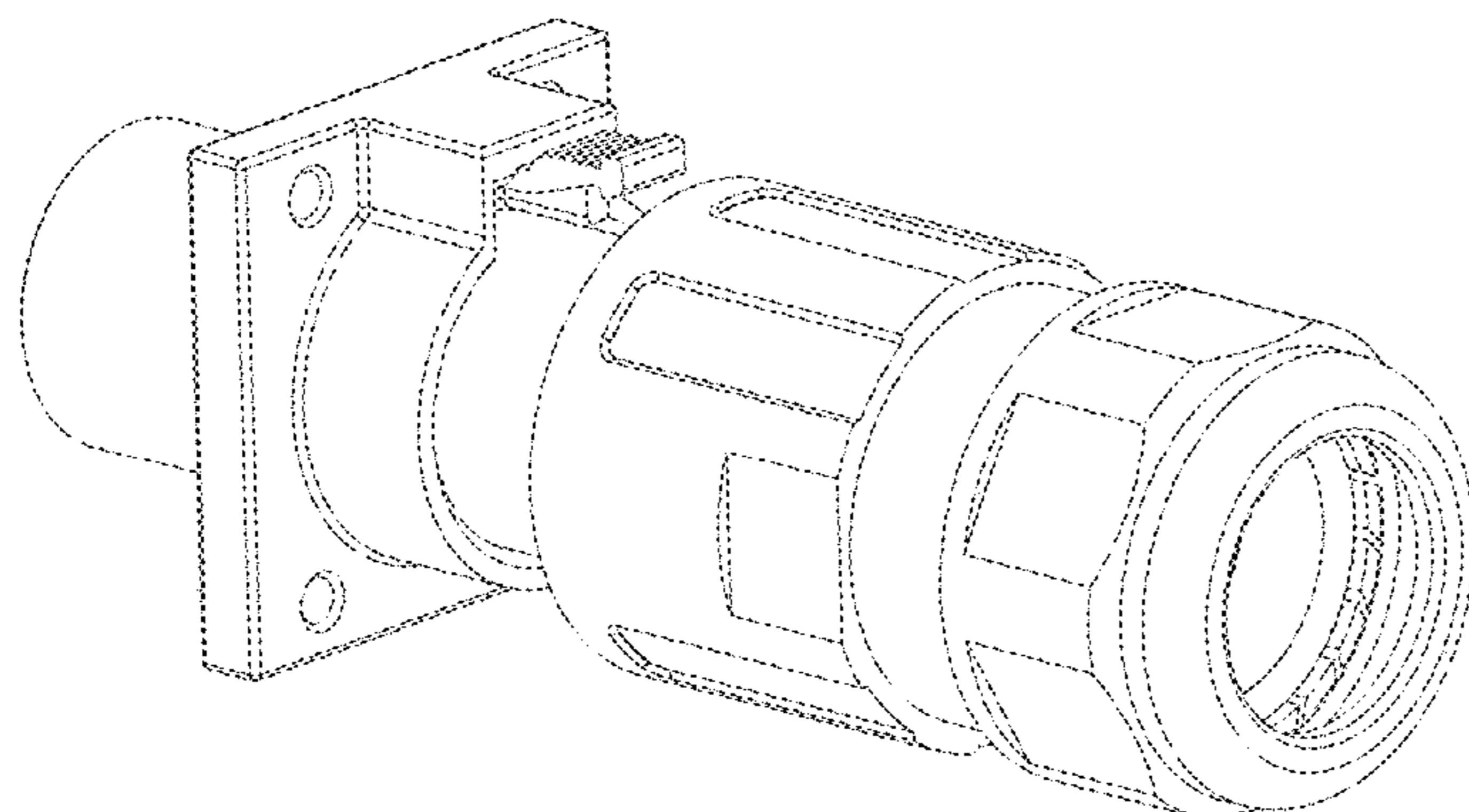
FIG. 6 is a right-side view thereof;

FIG. 7 is a top view thereof; and,

FIG. 8 is a bottom view thereof.

The broken lines in the drawings illustrate portions of the connector that form no part of the claimed design.

1 Claim, 8 Drawing Sheets



(56)

References Cited

U.S. PATENT DOCUMENTS

2018/0156995 A1* 6/2018 Katagiyama G02B 6/3897
2022/0217864 A1* 7/2022 Xiang H05K 5/0217

OTHER PUBLICATIONS

Markertek, Date: Sep. 22, 2021, [online], [site visited Nov. 5, 2022].
Available from internet, URL: <https://www.markertek.com/product/aja-d510pc/aja-d5-10-pc-replacement-power-plug-connector> (Year: 2021).*

Vertiv, Date: Nov. 5, 2019, [online], [site visited Nov. 5, 2022].
Available from internet, URL: <https://www.amazon.com/Vertiv-Geist-PDU-Configuration-Universal/dp/B0812DV5Y3> (Year: 2019).*

* cited by examiner

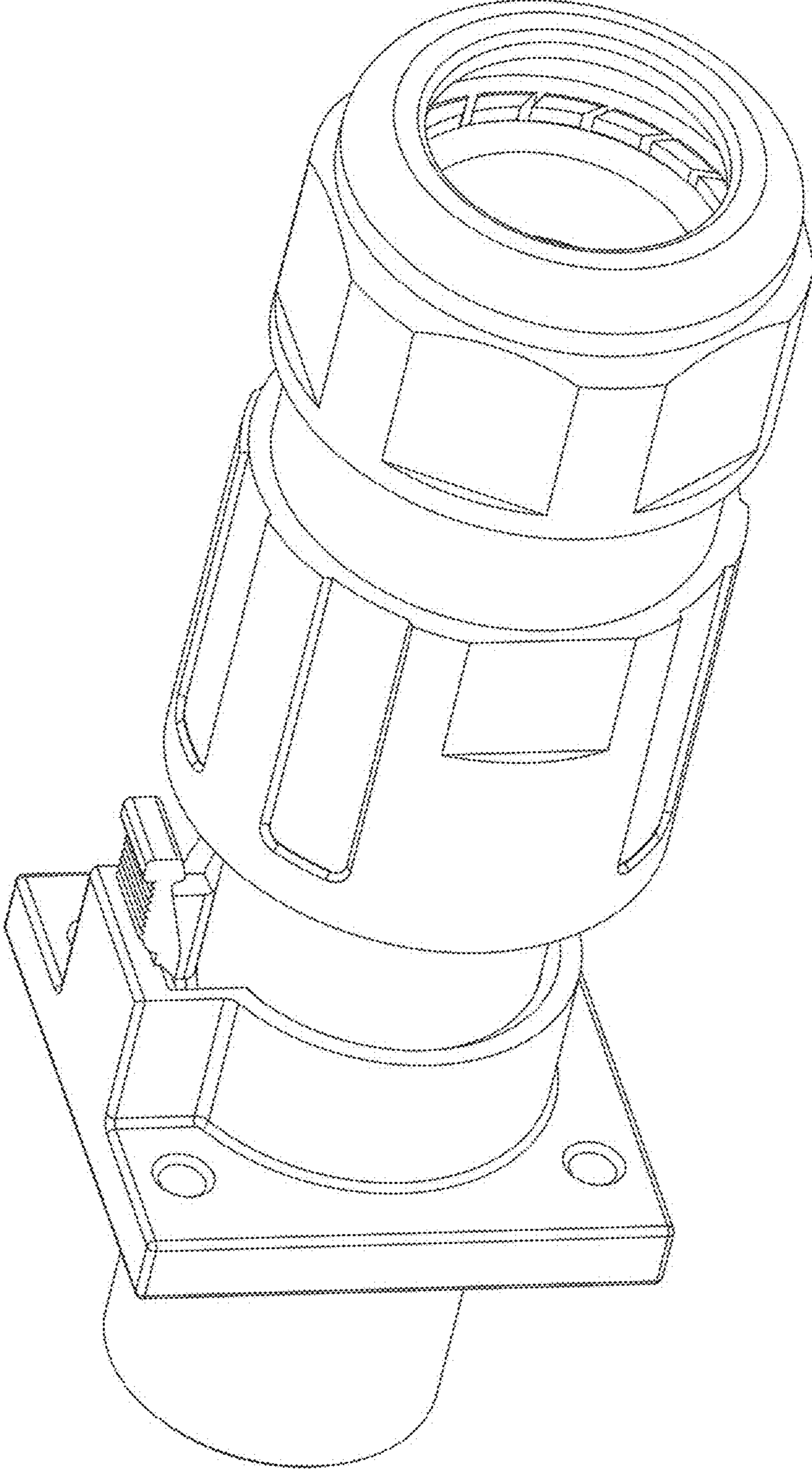


FIG. 1

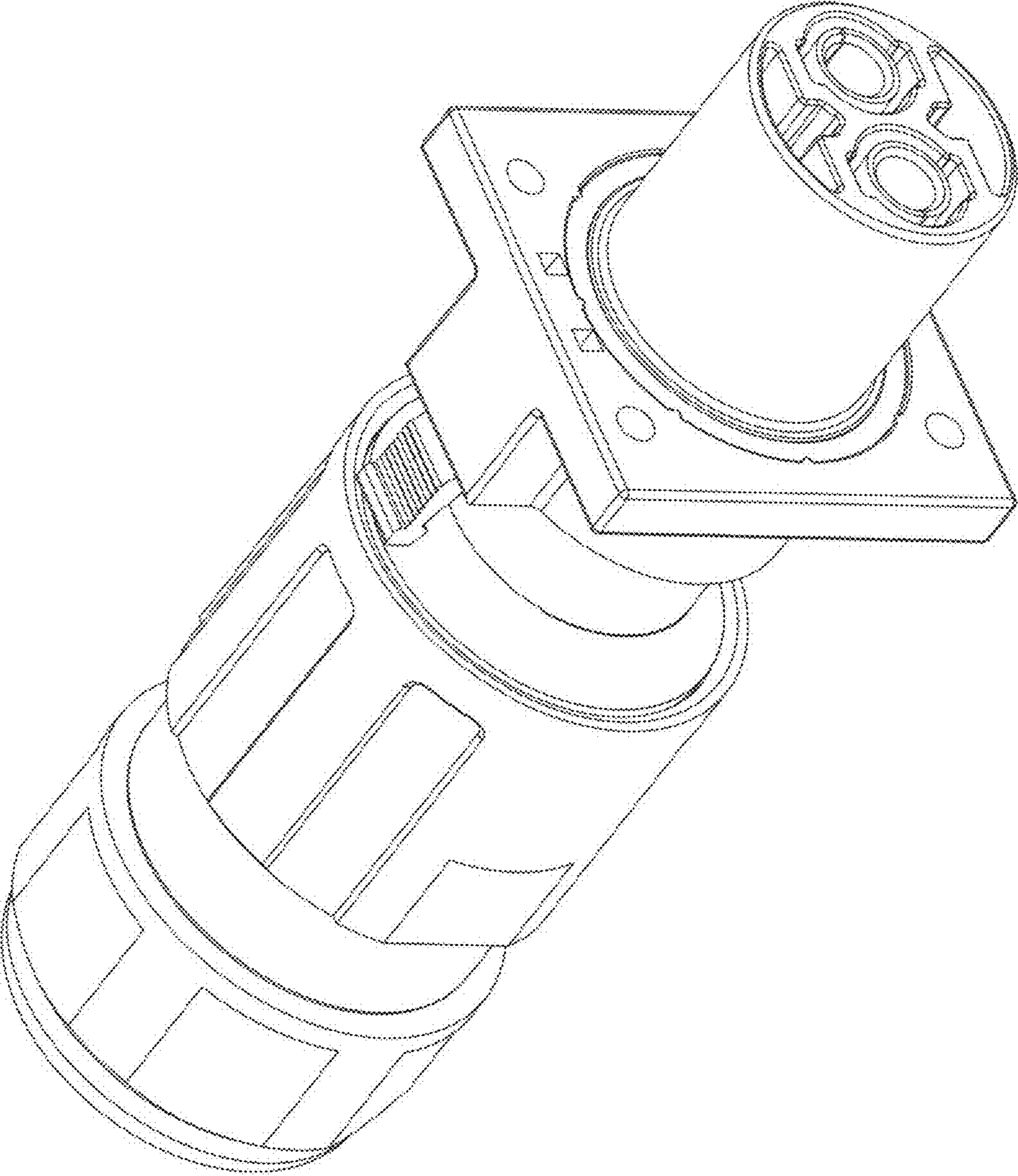


FIG. 2

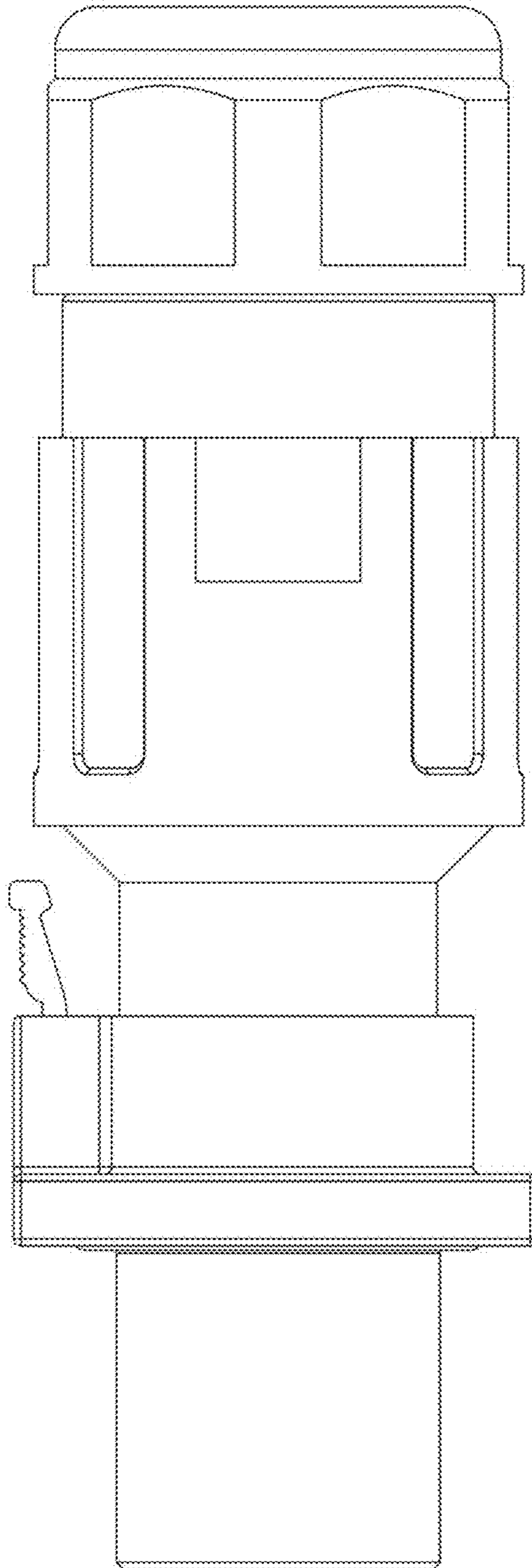


FIG. 3

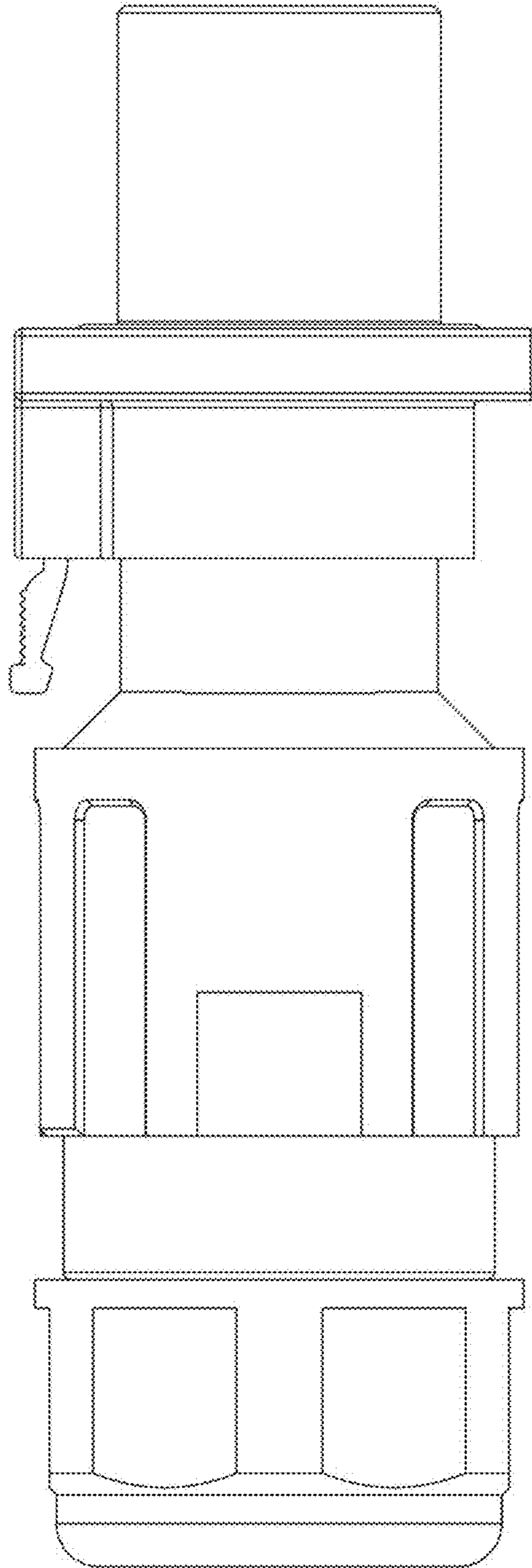


FIG. 4

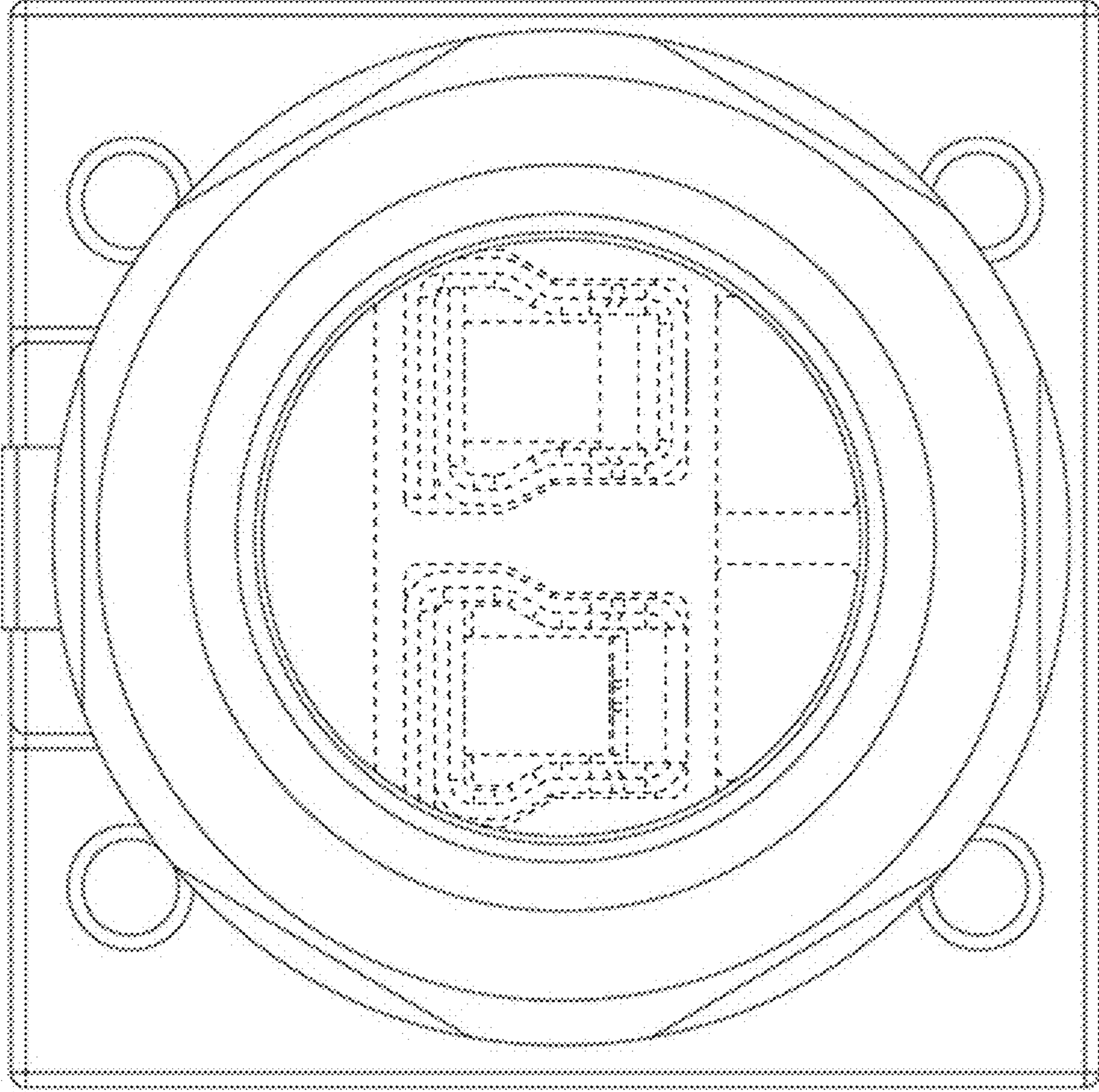


FIG. 5

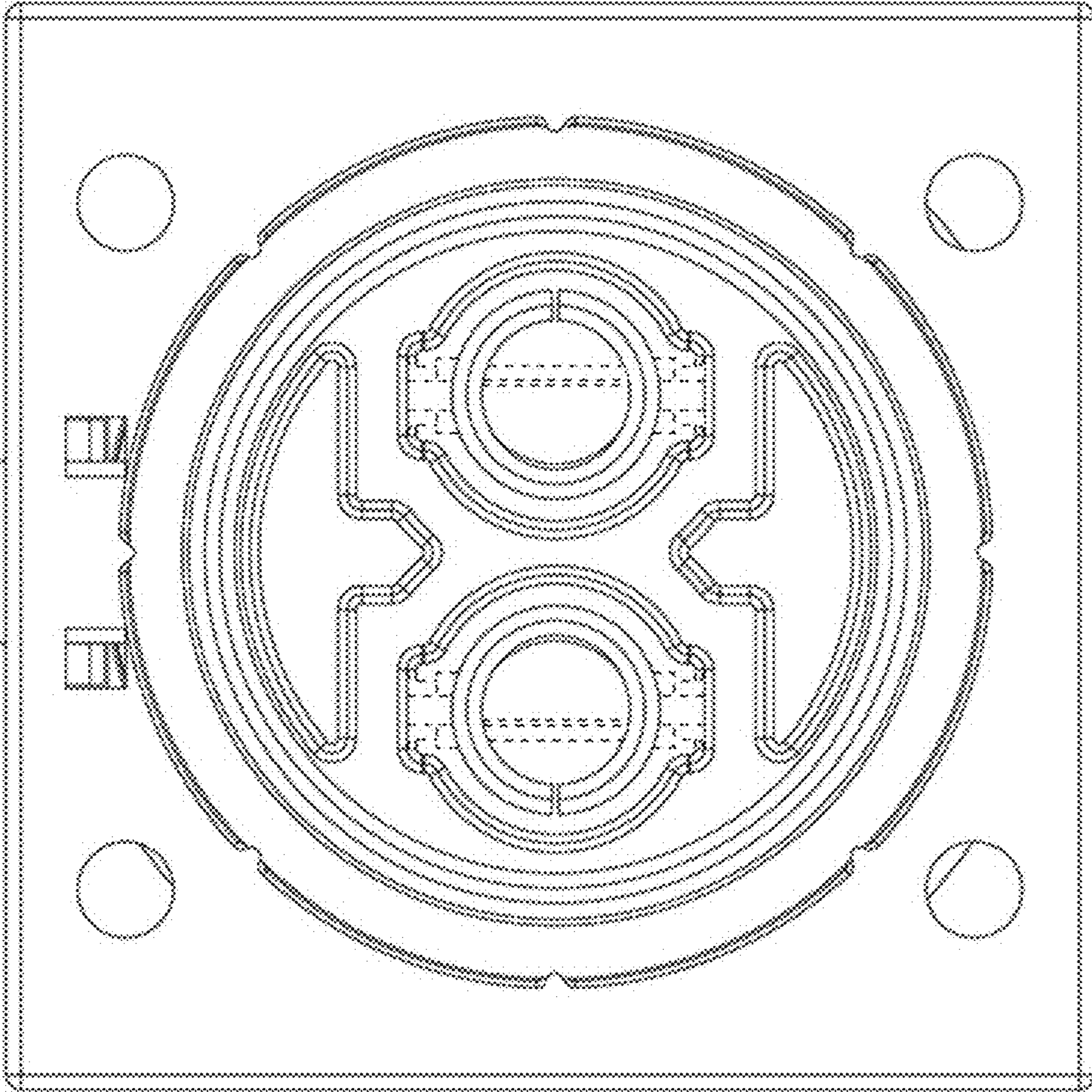


FIG. 6

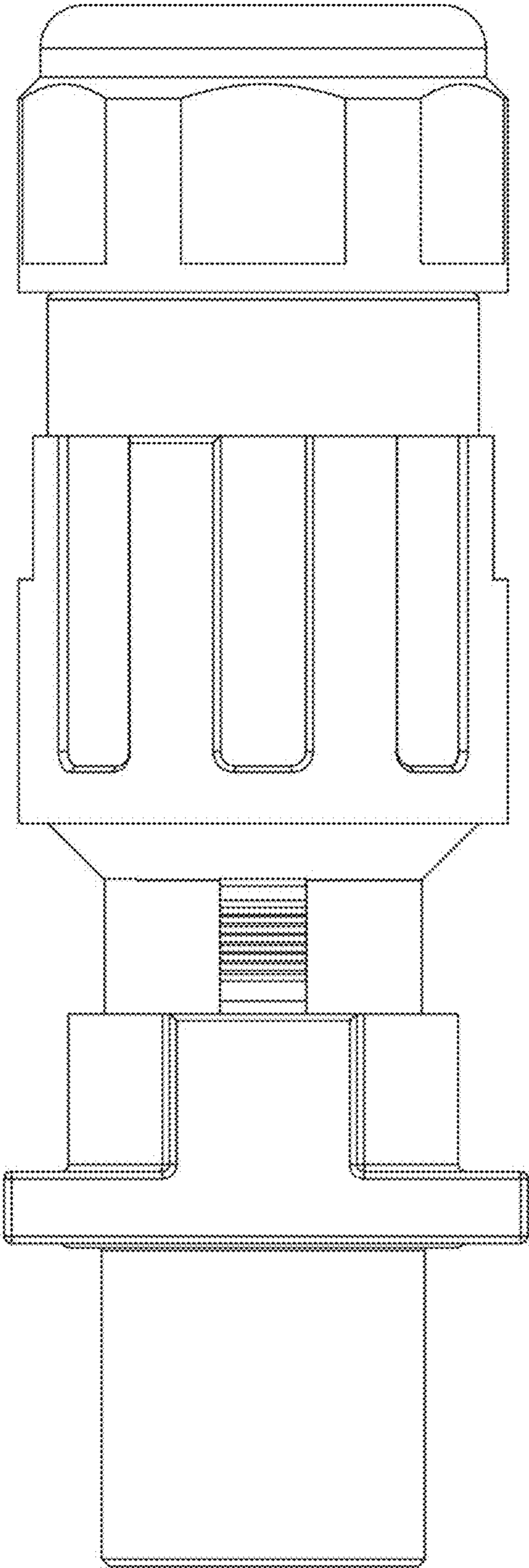


FIG. 7

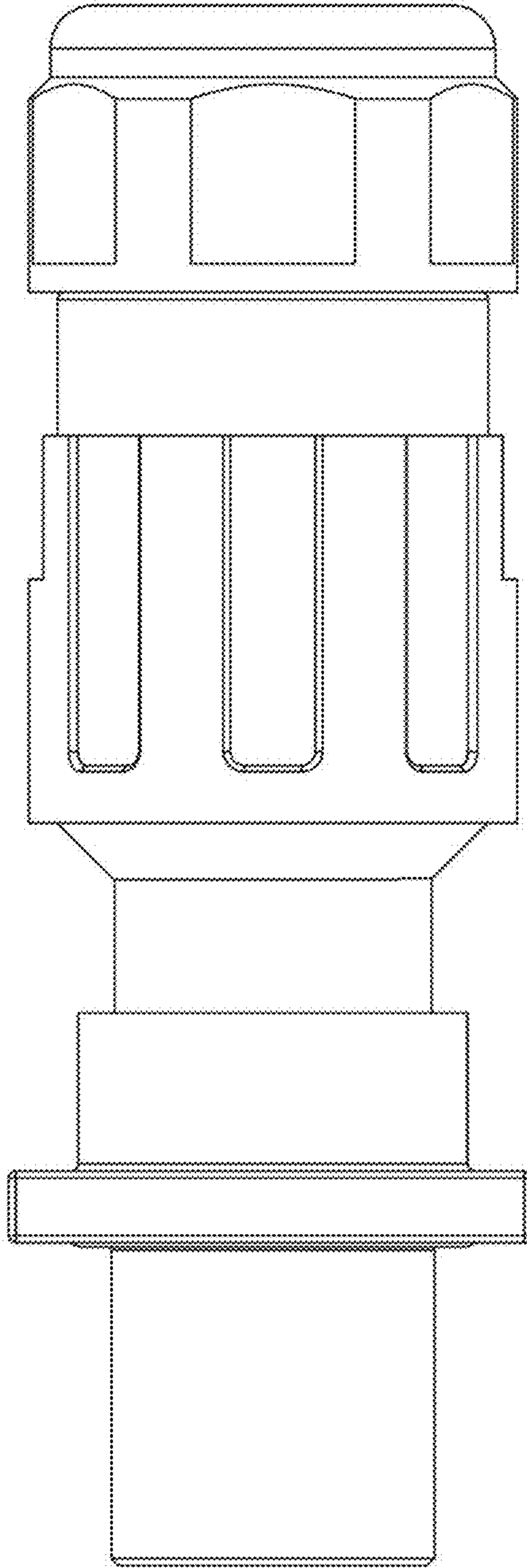


FIG. 8