



US00D988998S

(12) **United States Design Patent**
Liang

(10) **Patent No.:** **US D988,998 S**
(45) **Date of Patent:** **** Jun. 13, 2023**

(54) **HOME POWER STATION**

DESCRIPTION

(71) Applicant: **Generark Energy Inc.**, San Mateo, CA (US)

(72) Inventor: **Anson Liang**, San Mateo, CA (US)

(**) Term: **15 Years**

(21) Appl. No.: **35/002,031**

(22) Filed: **May 8, 2021**

(80) **Hague Agreement Data**

Int. Filing Date: **May 8, 2021**

Int. Reg. No.: **DM/217347**

Int. Reg. Date: **May 8, 2021**

Int. Reg. Pub. Date: **Nov. 26, 2021**

(51) **LOC (14) Cl.** **13-02**

(52) **U.S. Cl.**
USPC **D13/110**

(58) **Field of Classification Search**
USPC D13/101, 102, 103, 107, 108, 110, 118,
D13/119, 184, 199; D14/251, 253, 432,
D14/433, 434

(Continued)

(56) **References Cited**

U.S. PATENT DOCUMENTS

D377,335 S * 1/1997 Katooka D13/110
D706,217 S * 6/2014 McKune D13/110

(Continued)

Primary Examiner — Derrick E Holland

(57) **CLAIM**

I claim the ornamental design for a home power station, substantially as shown and described.

A portion of this document contains material to which a claim for copyright is made. The copyright owner does not object to the facsimile reproduction of the document.

FIG. 1.1 is a top view of a home power station in accordance to the present invention in a first configuration, where a removable wheel cart is attached;

FIG. 1.2 is a left view of the first configuration;

FIG. 1.3 is a right view of the first configuration;

FIG. 1.4 is front view of the first configuration;

FIG. 1.5 is back view of the first configuration, showing slide door closed;

FIG. 1.6 is a back view of the first configuration, showing slide door open;

FIG. 1.7 top perspective view of the first configuration;

FIG. 1.8 is a bottom perspective view of the first configuration;

FIG. 1.9 is a front perspective view of the first configuration;

FIG. 2.1 is a top view of a home power station in accordance with the present invention in a second configuration, where the removable wheel cart is not attached;

FIG. 2.2 is a left view of the second configuration;

FIG. 2.3 is a right view of the second configuration;

FIG. 2.4 is front view of the second configuration;

FIG. 2.5 is back view of the second configuration;

FIG. 2.6 top perspective view of the second configuration;

FIG. 2.7 is a bottom perspective view of the second configuration;

FIG. 2.8 is a front perspective view of the second configuration;

FIG. 3.1 is a top view of the wheel cart of FIG. 1, standing alone;

FIG. 3.2 is a bottom view of the wheel cart;

FIG. 3.3 is left side view of the wheel cart;

FIG. 3.4 is a right view of the wheel cart;

FIG. 3.5 is a front view of the wheel cart;

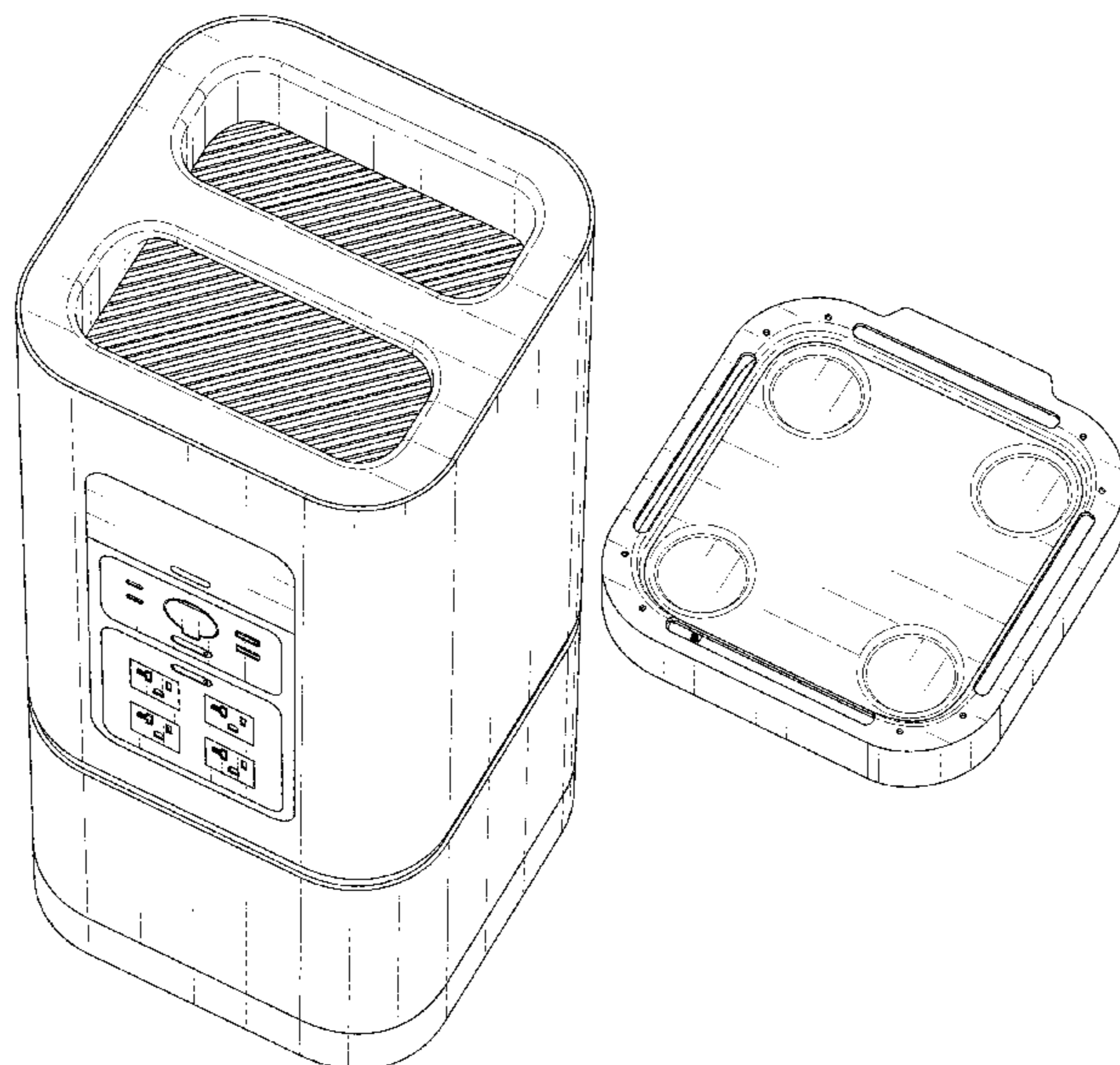
FIG. 3.6 is a back view of the wheel cart;

FIG. 3.7 is a top perspective view of the wheel cart;

FIG. 3.8 is a bottom perspective view of the wheel cart;

FIG. 3.9 is a front perspective view of the wheel cart.

1 Claim, 26 Drawing Sheets



(58) **Field of Classification Search**

CPC H02J 7/027; H02J 7/0042; H02J 7/0045;
H02J 7/0047; H02J 7/0063; H02J 7/32;
H02J 7/342; H02J 7/02; H02J 7/35;
H01R 13/66; H02M 7/003; H01M 2/204;
H01M 2/1022; Y02T 10/7005; Y02T
10/7088; Y02T 10/705

See application file for complete search history.

(56) **References Cited**

U.S. PATENT DOCUMENTS

D718,237 S * 11/2014 Asakura D13/110
D762,165 S * 7/2016 Rowe D13/103
D816,605 S * 5/2018 Rowe D13/103
D872,692 S * 1/2020 Li D13/103
D890,089 S * 7/2020 Yin D13/103
D900,022 S * 10/2020 Bell D13/103
10,833,302 B2 * 11/2020 Nguyen H01M 50/502
D908,081 S * 1/2021 Huang D13/102

* cited by examiner

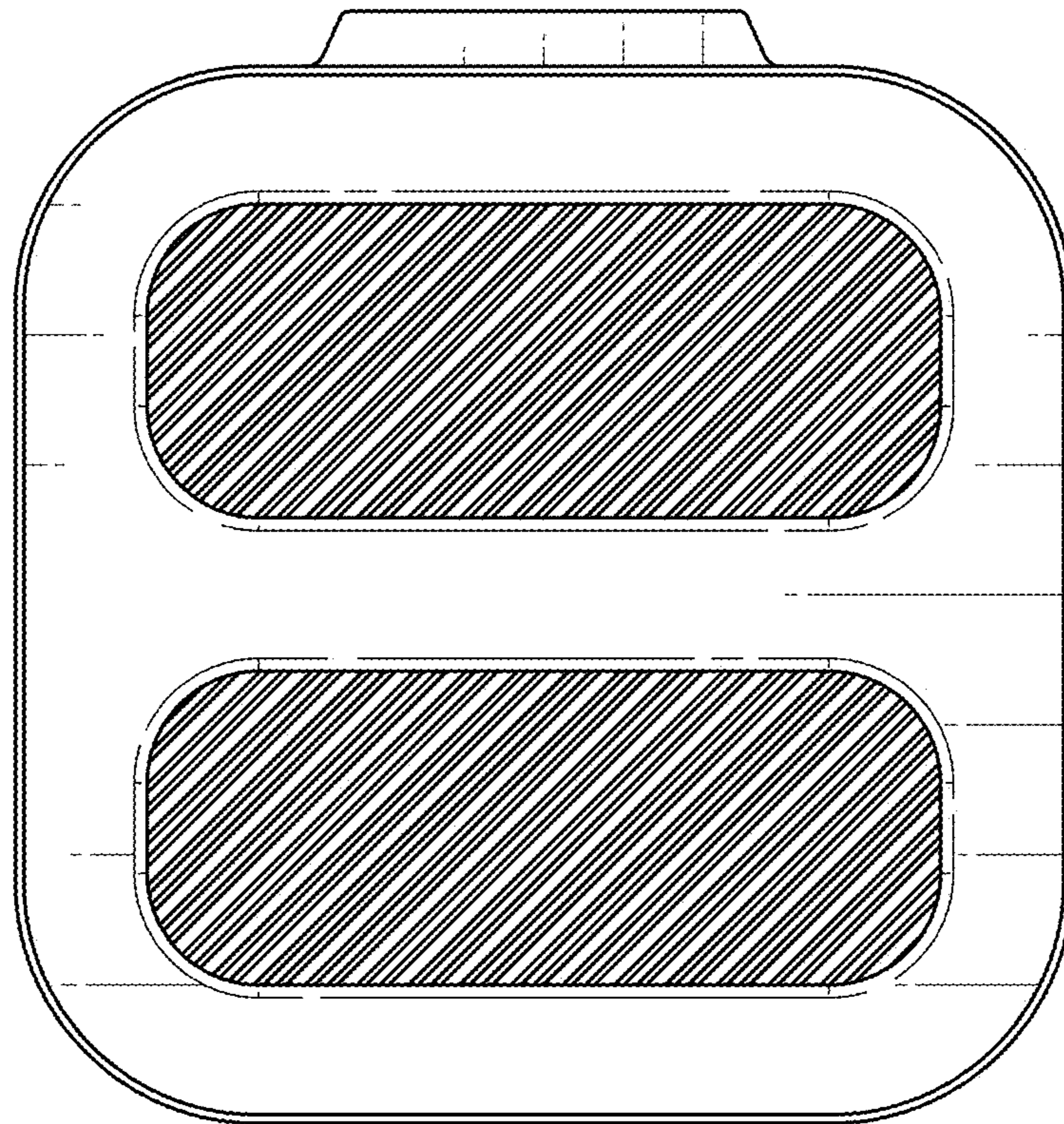


FIG. 1.1

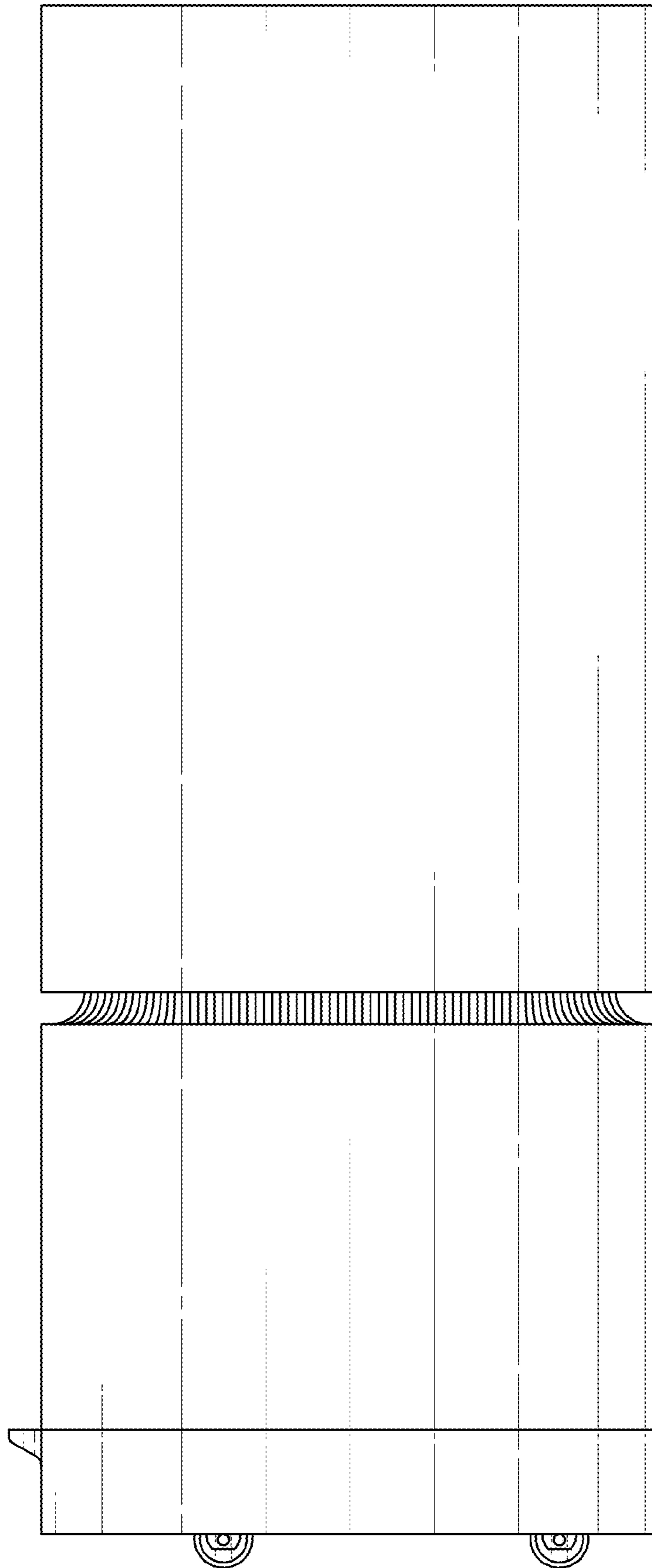


FIG. 1.2

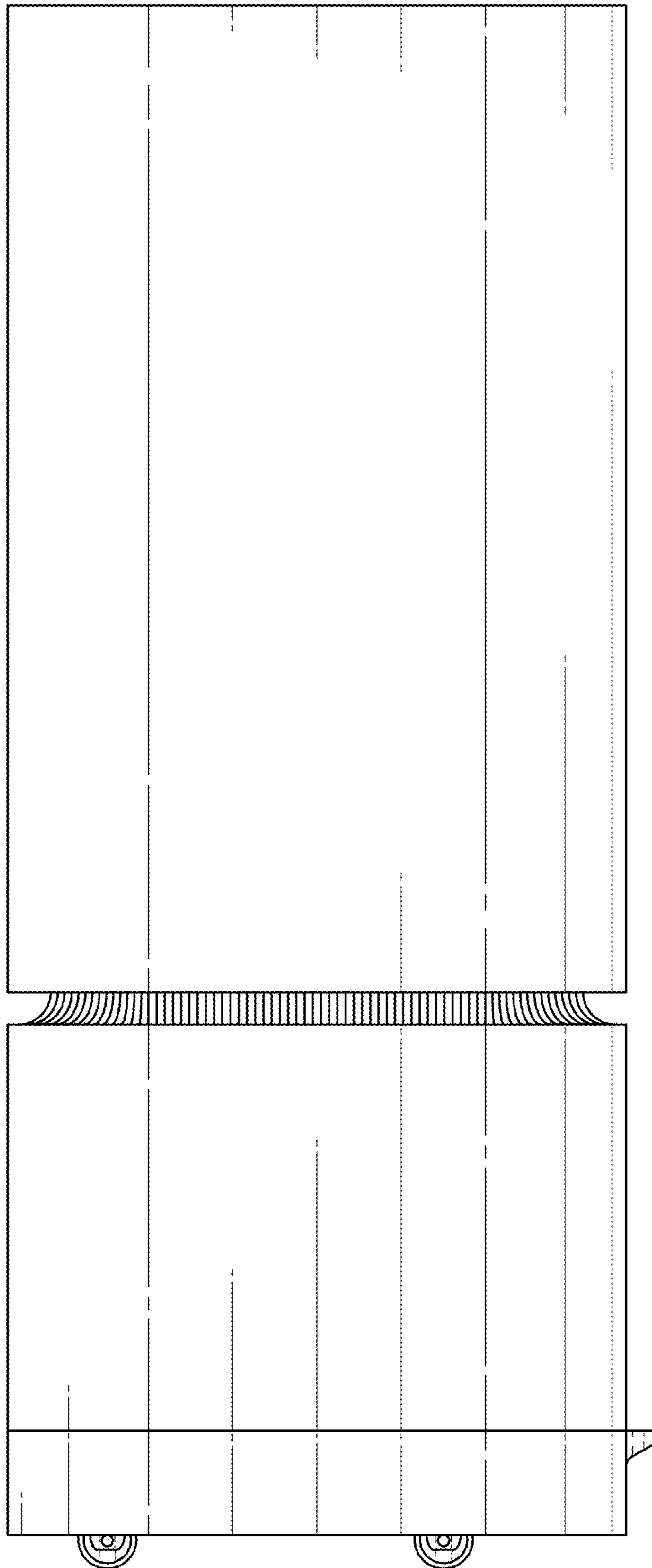


FIG. 1.3

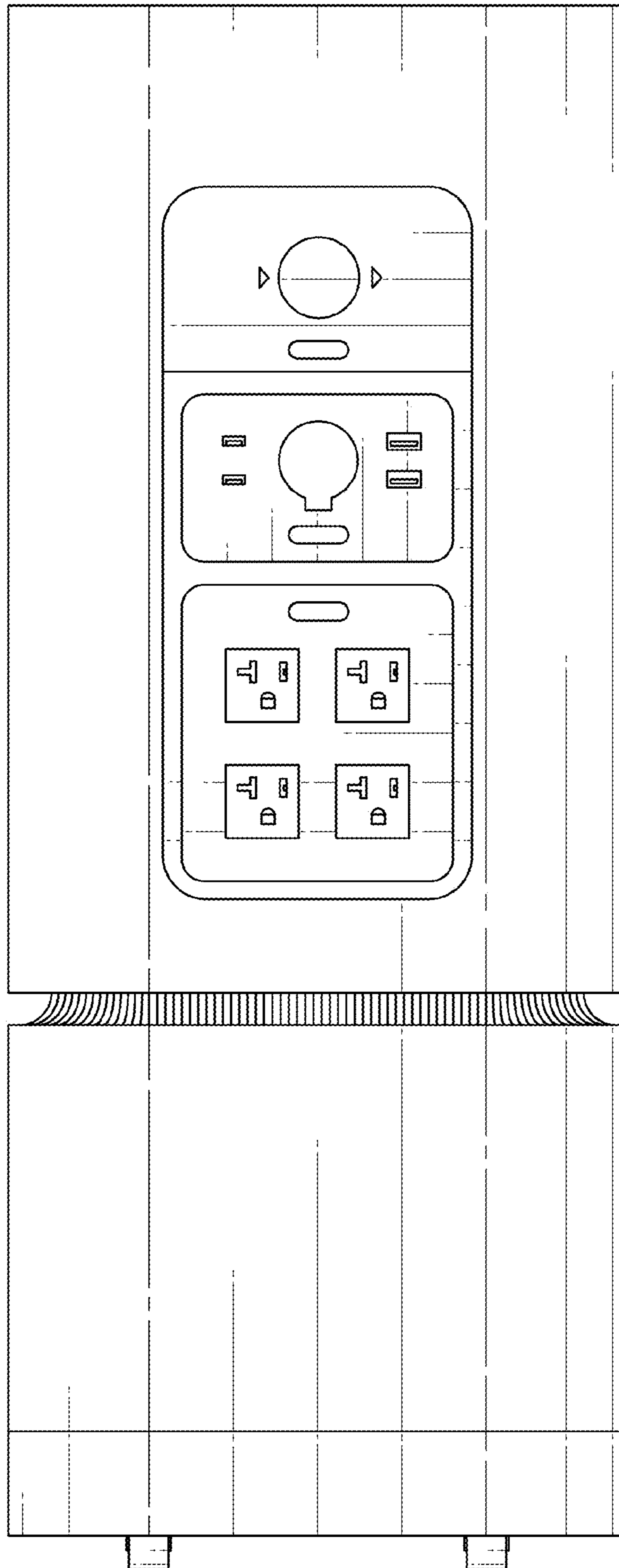


FIG. 1.4

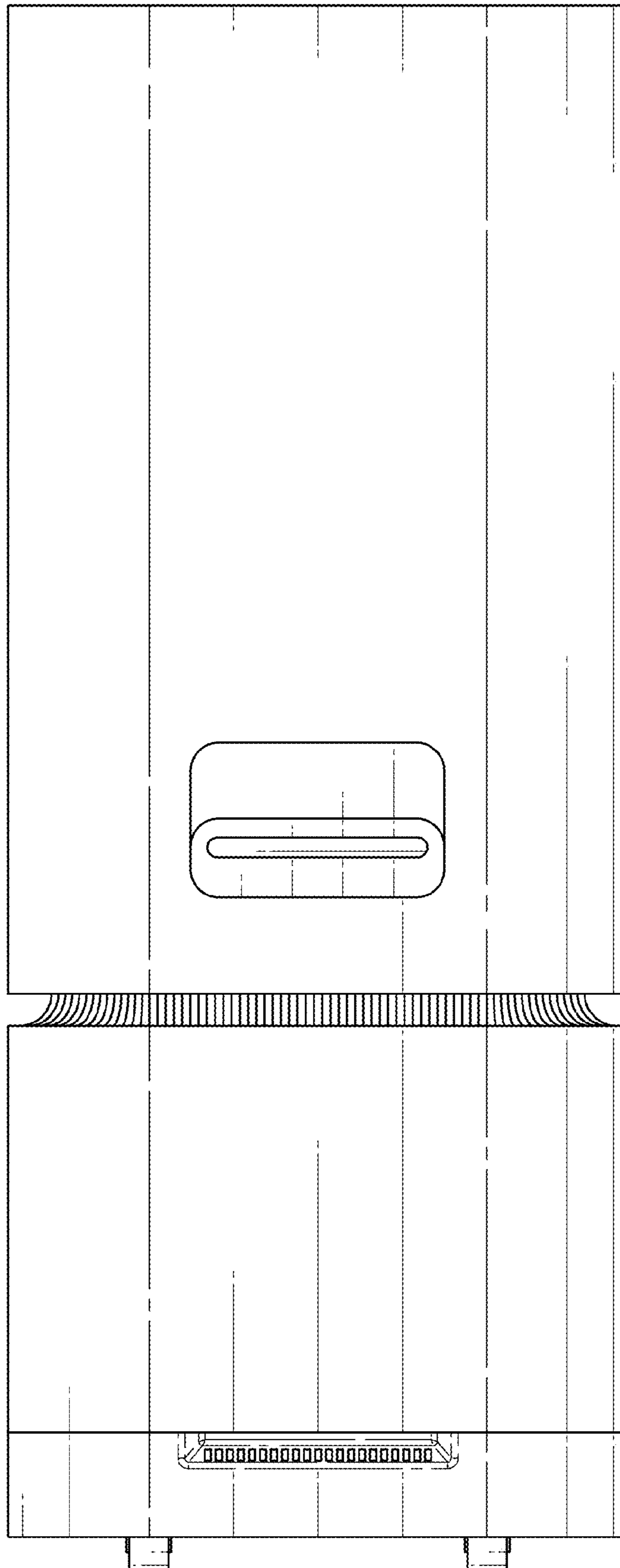


FIG. 1.5

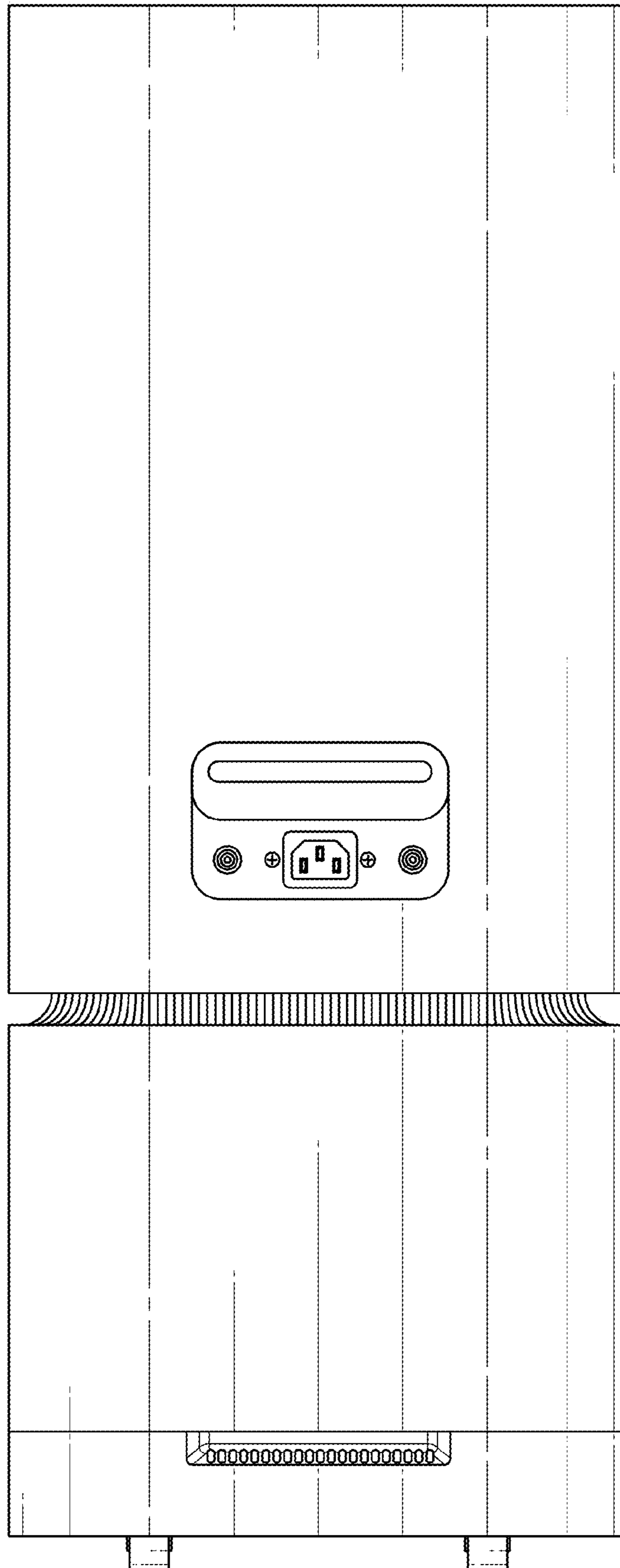


FIG. 1.6

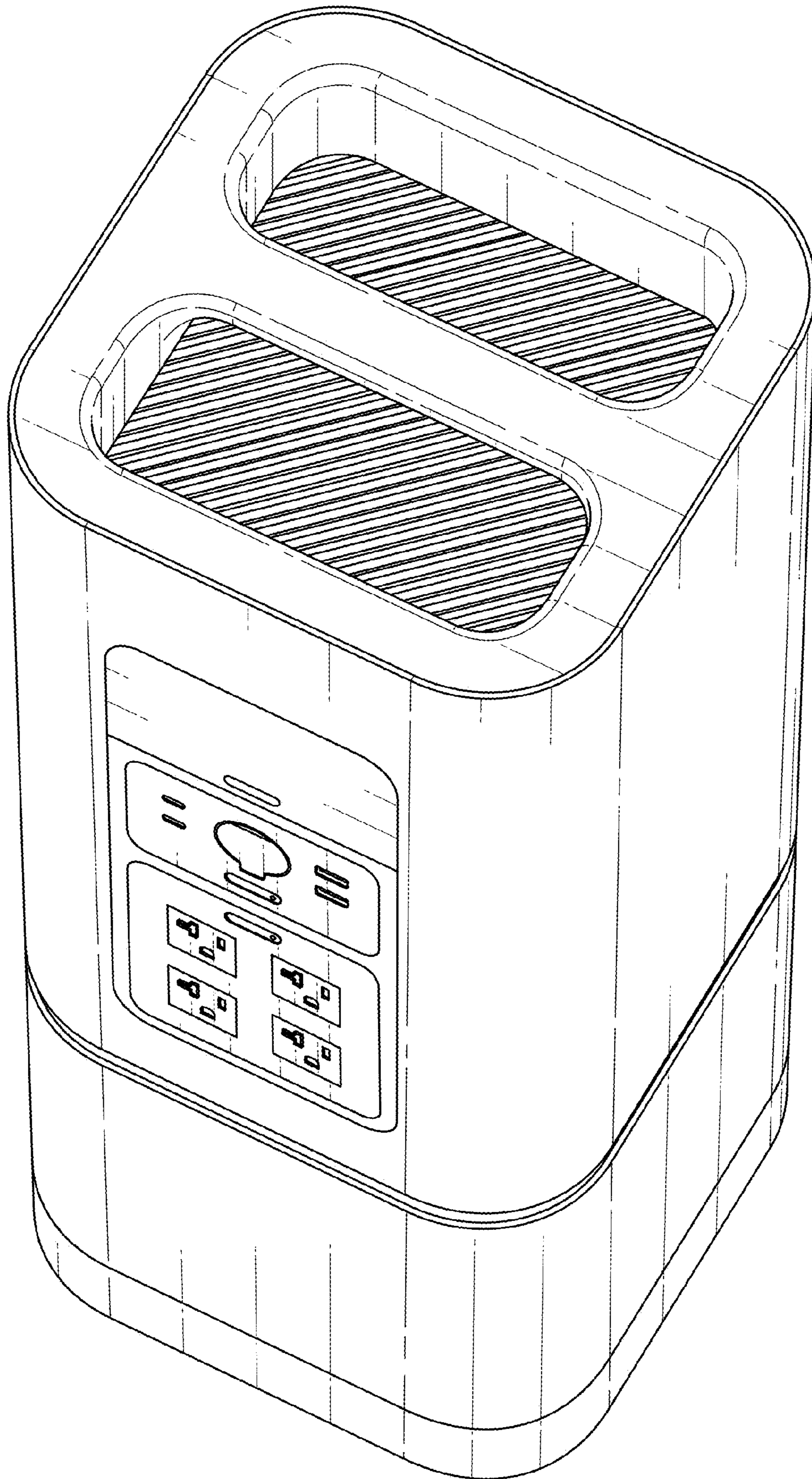


FIG. 1.7

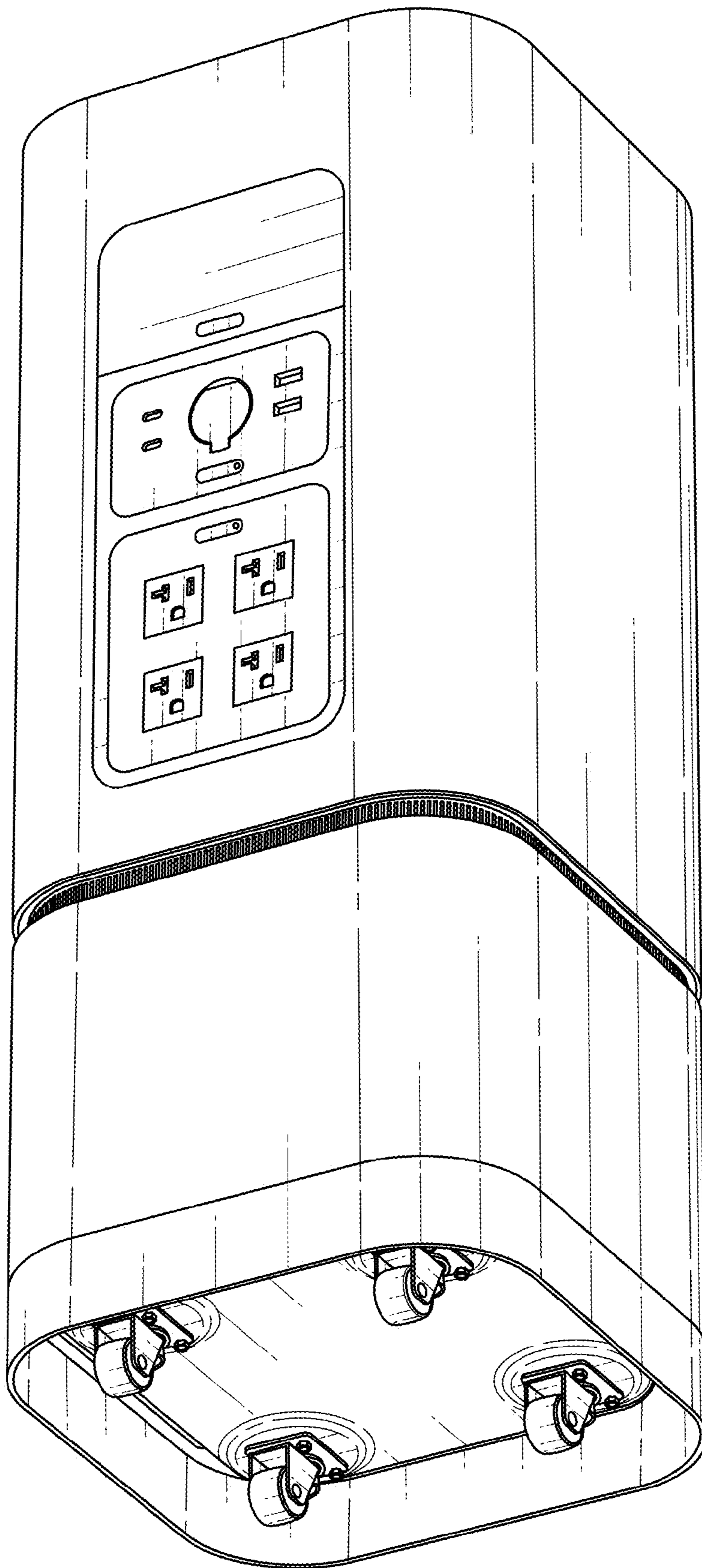


FIG. 1.8

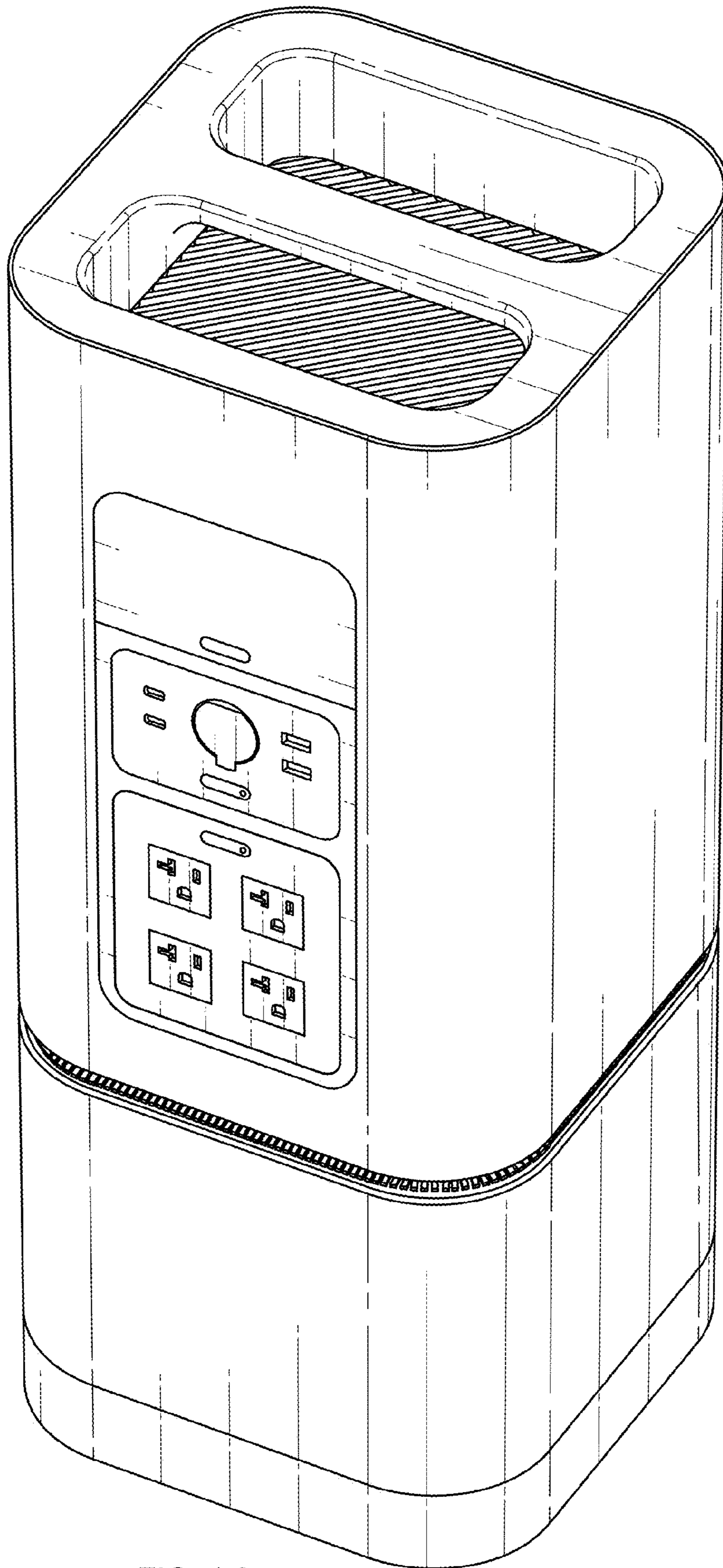


FIG. 1.9

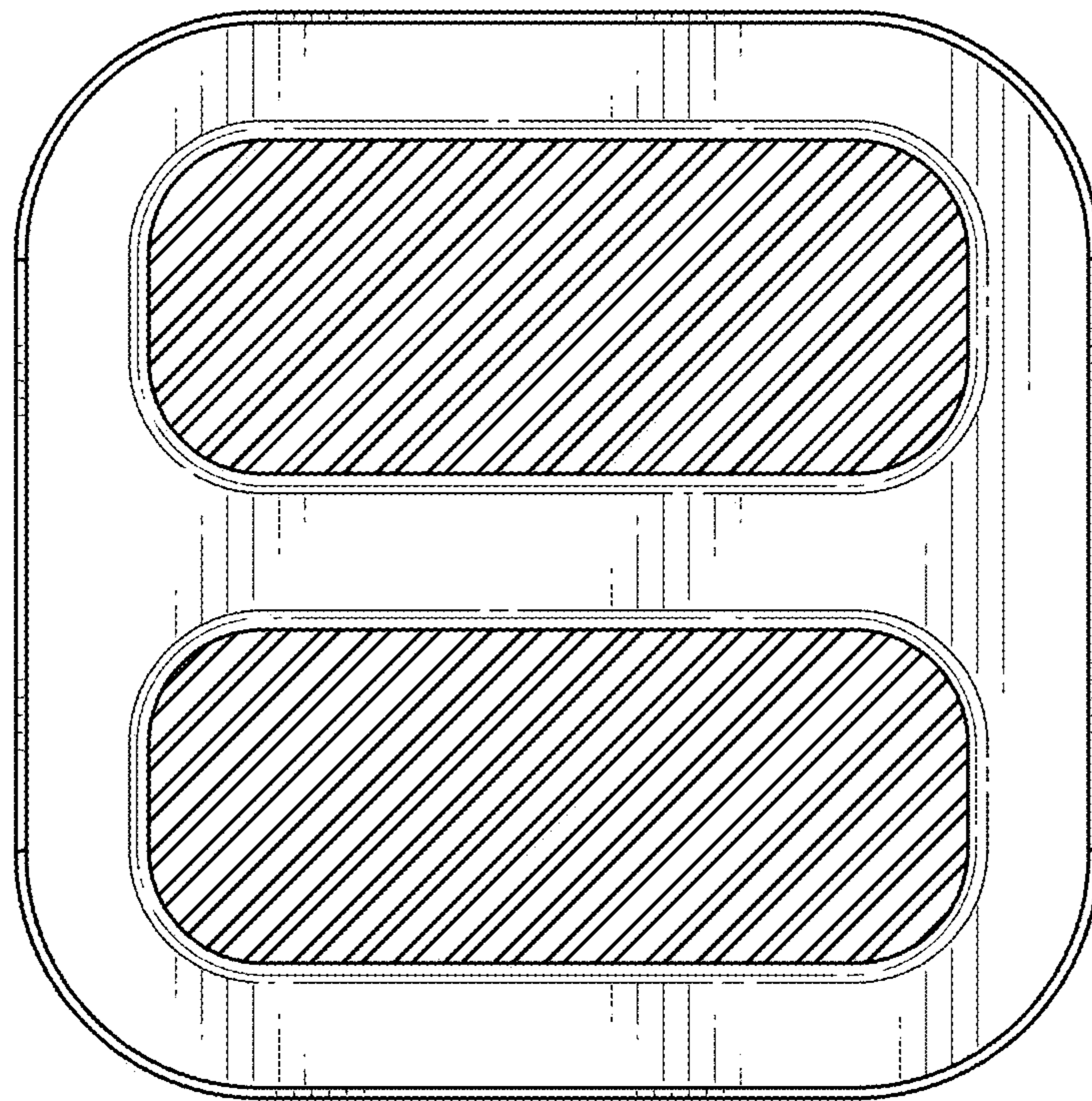


FIG. 2.1

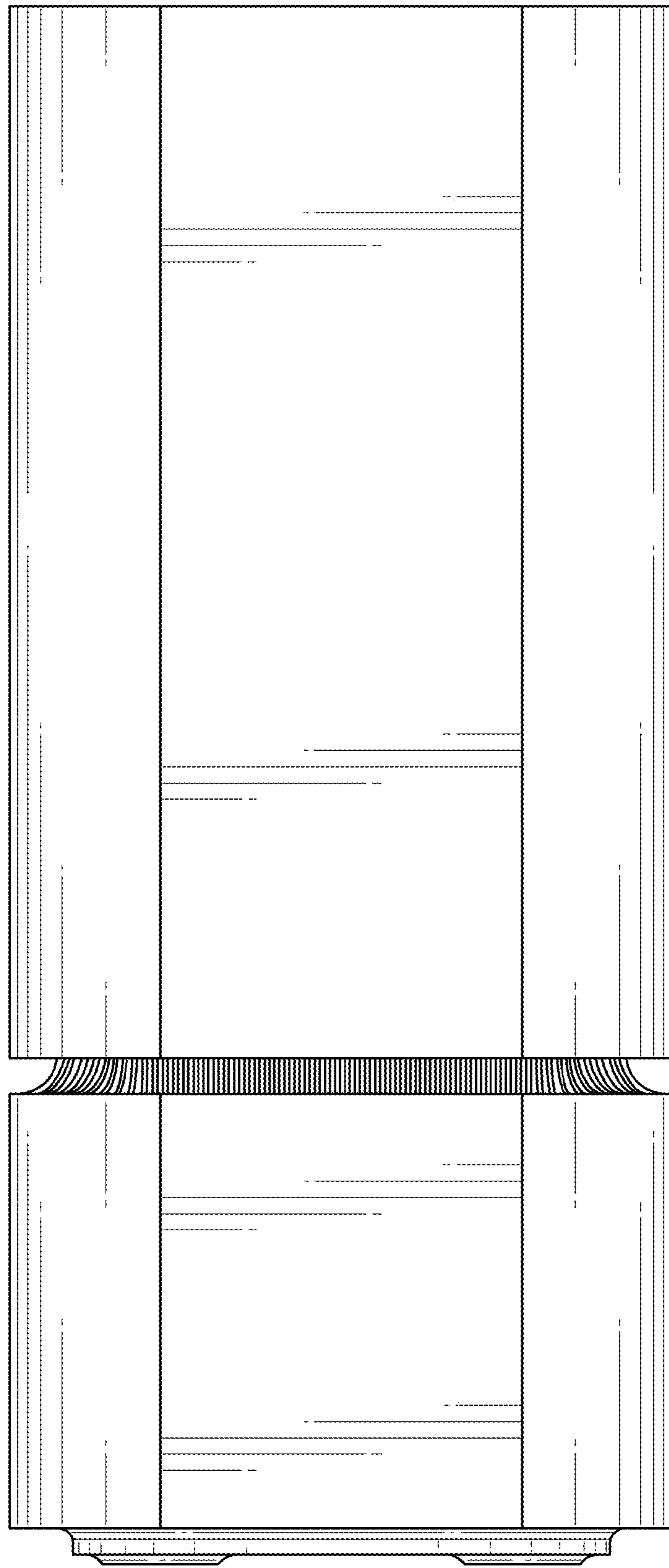


FIG. 2.2

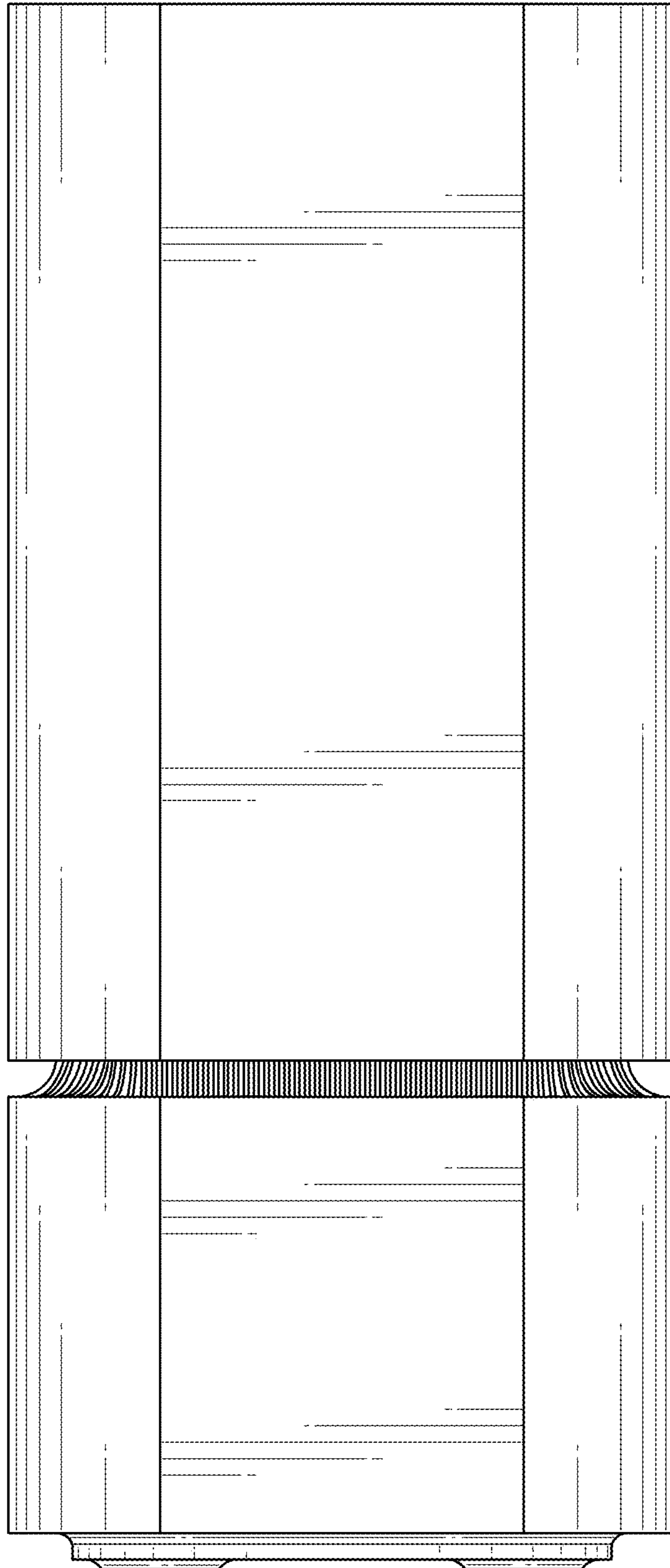


FIG. 2.3

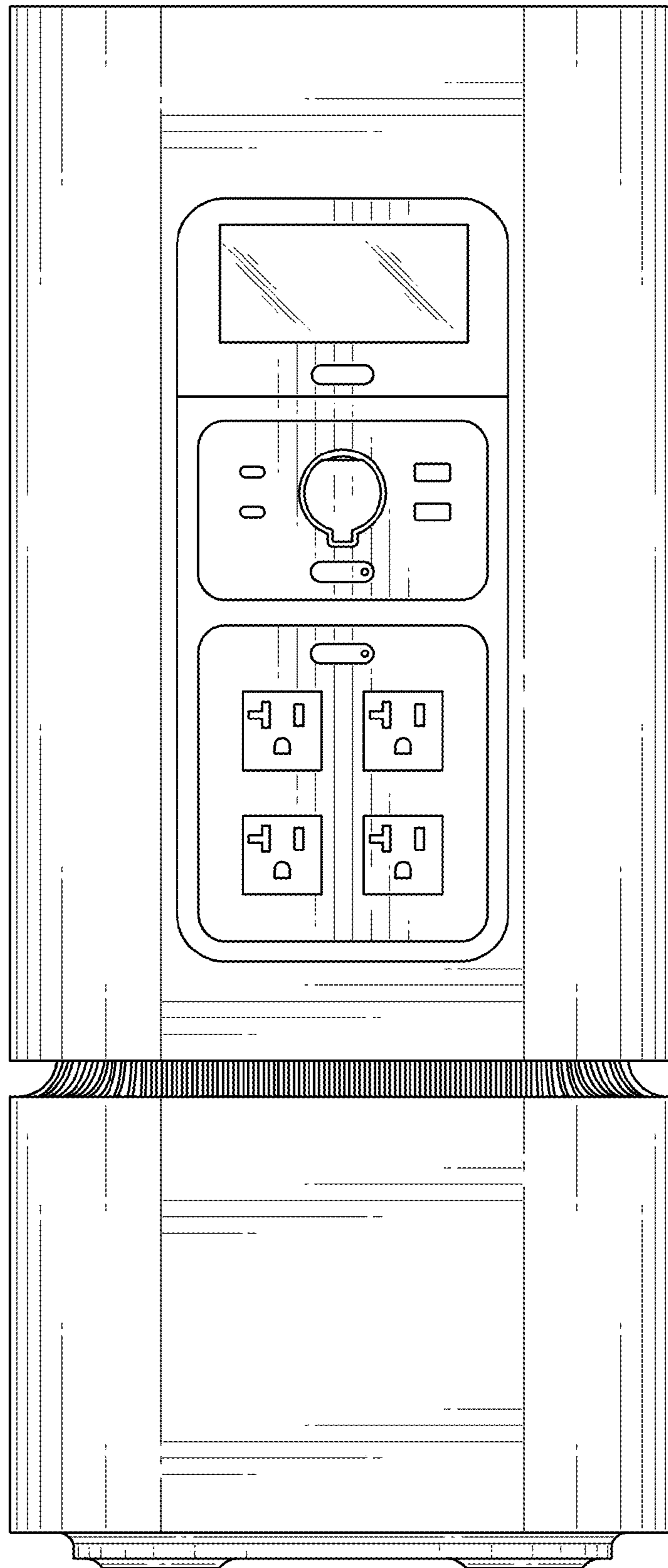


FIG. 2.4

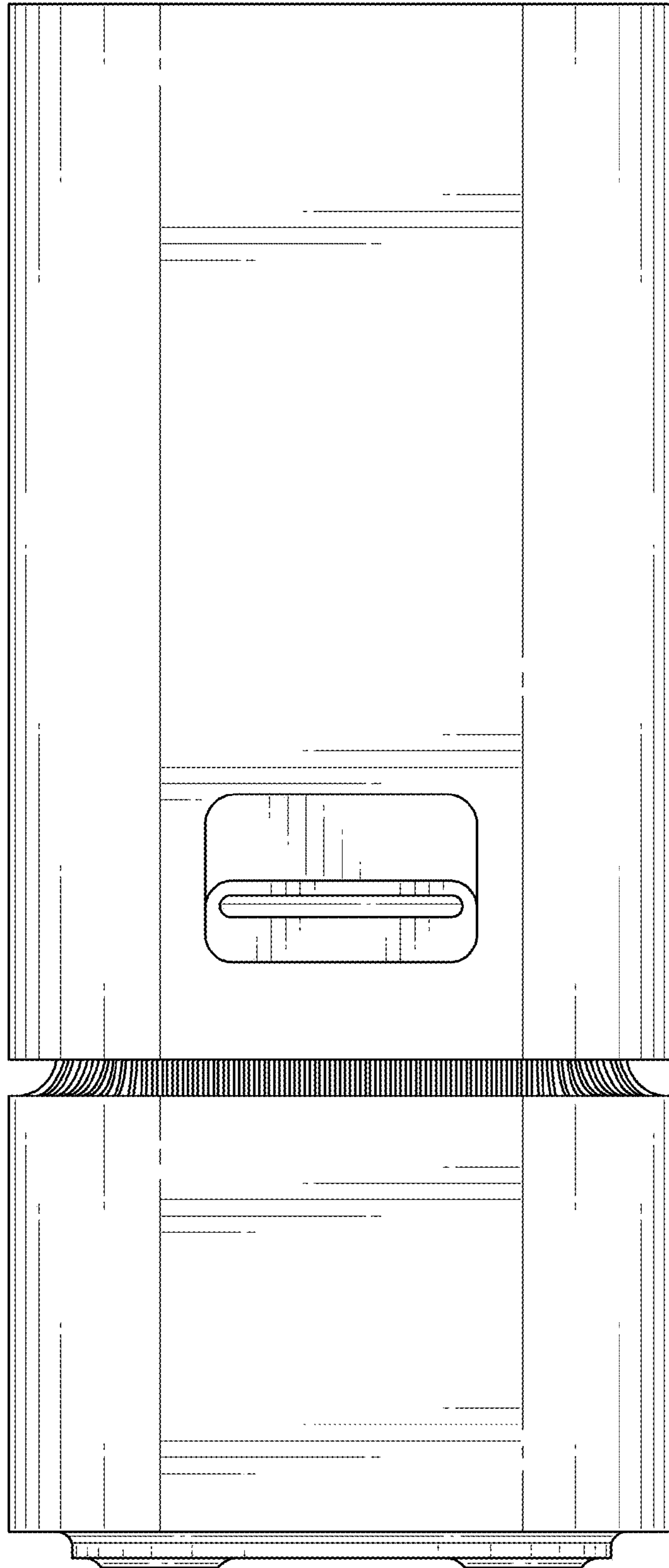


FIG. 2.5

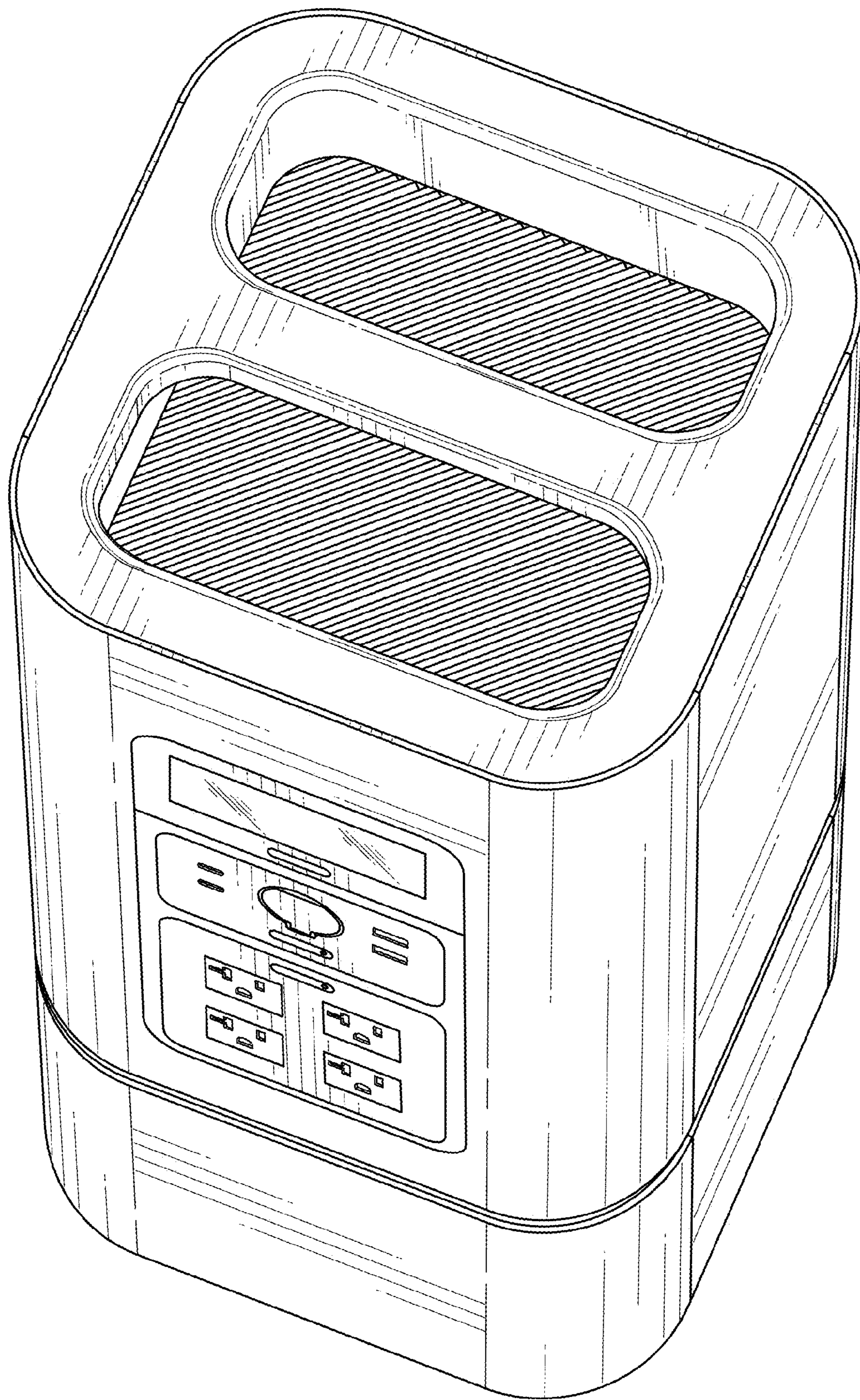


FIG. 2.6

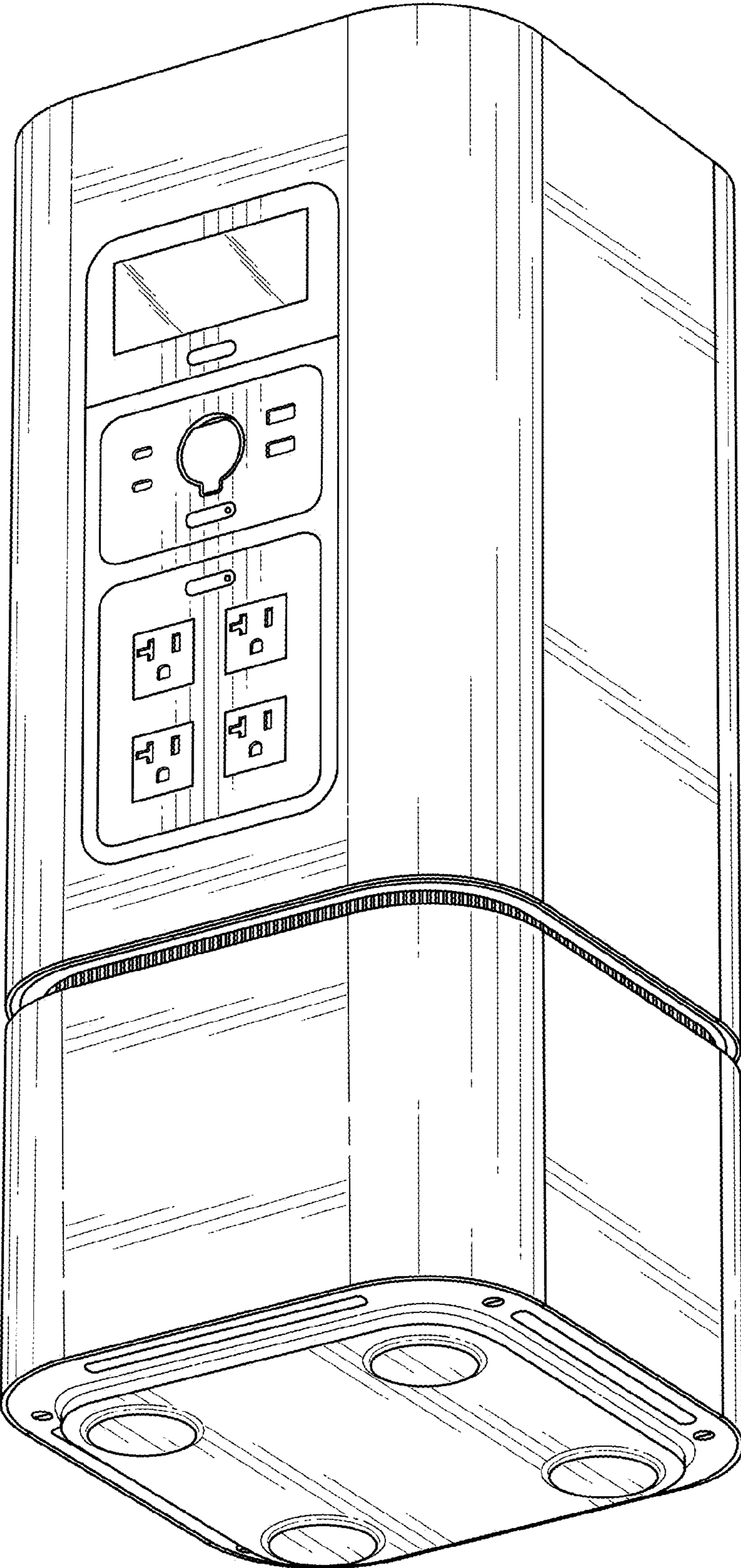


FIG. 2.7

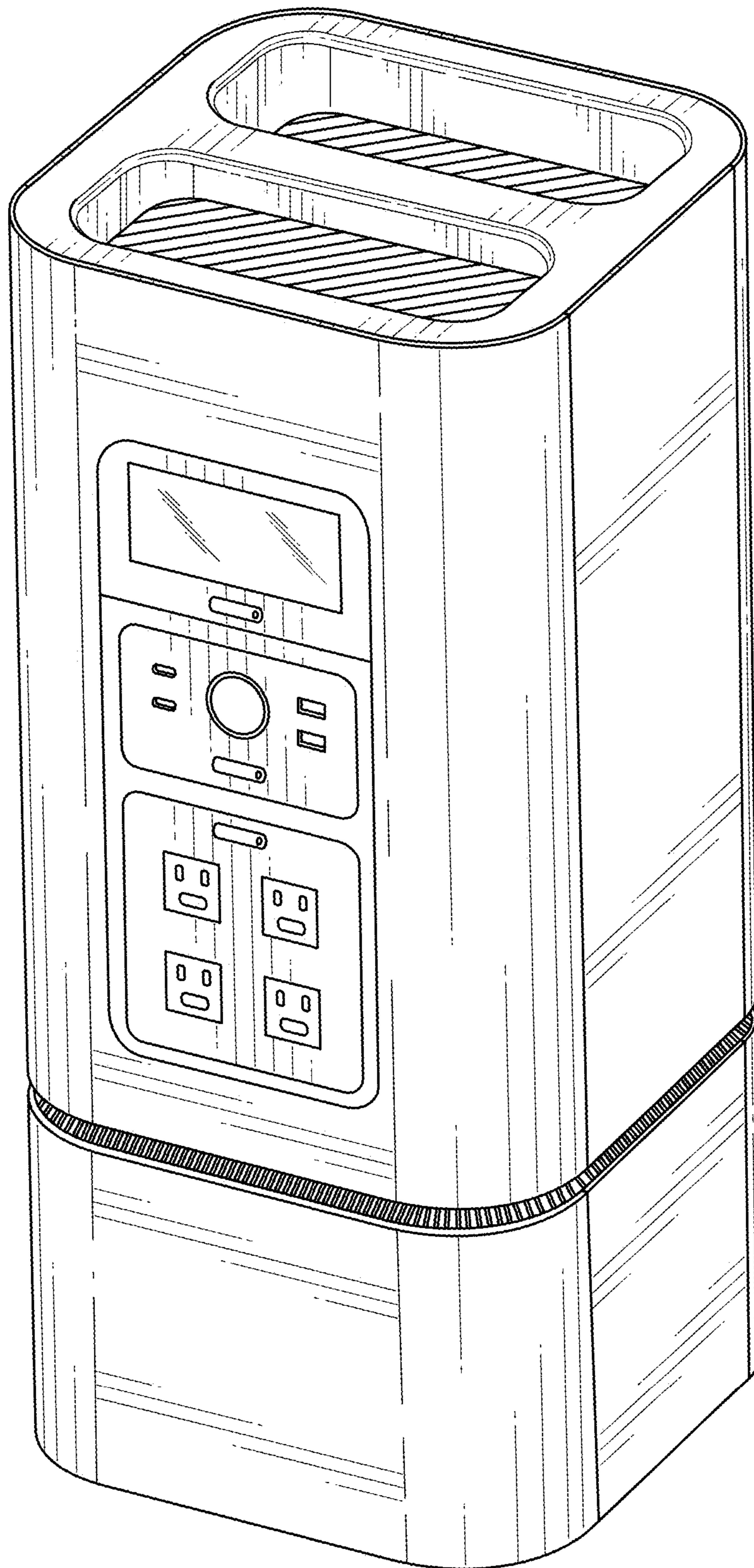


FIG. 2.8

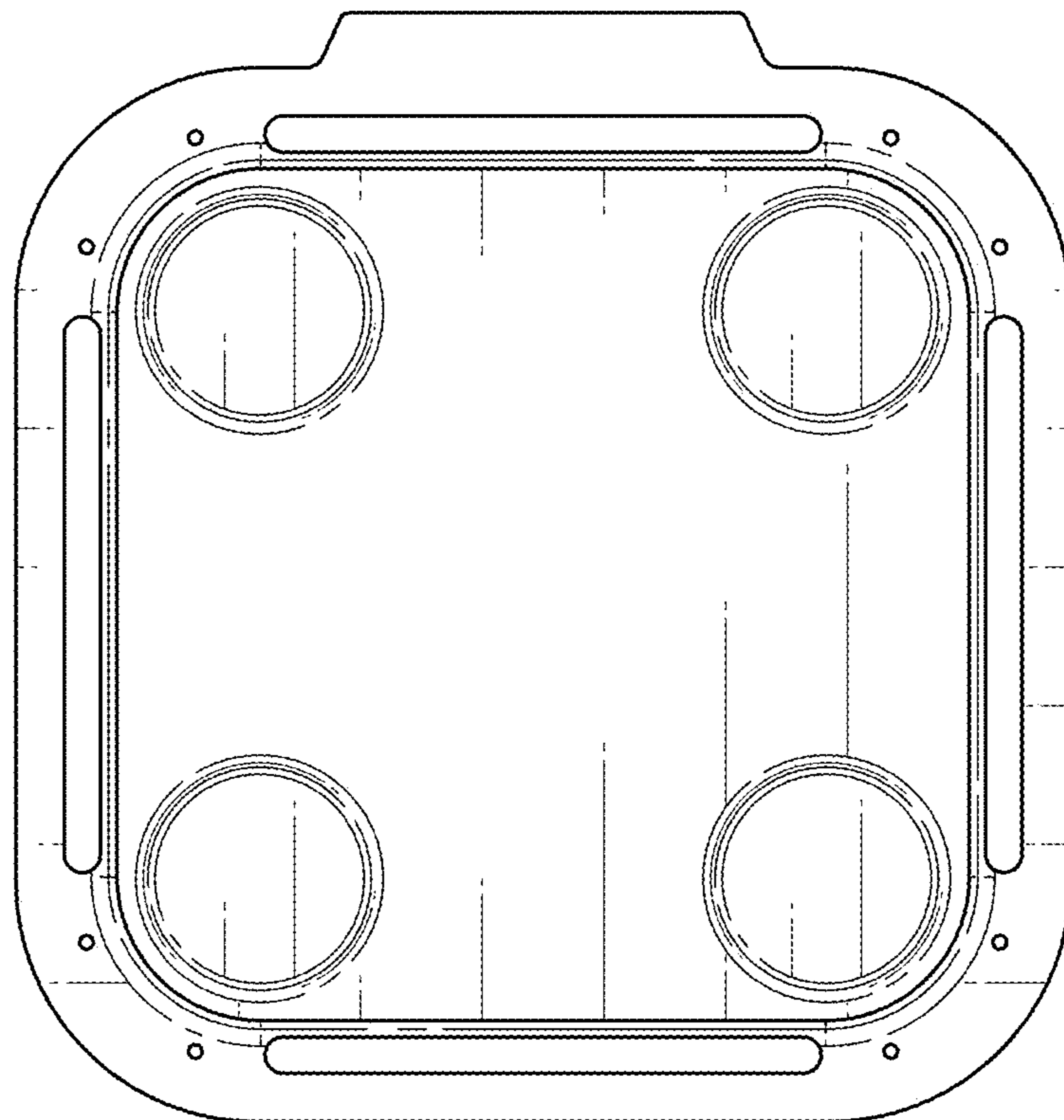


FIG. 3.1

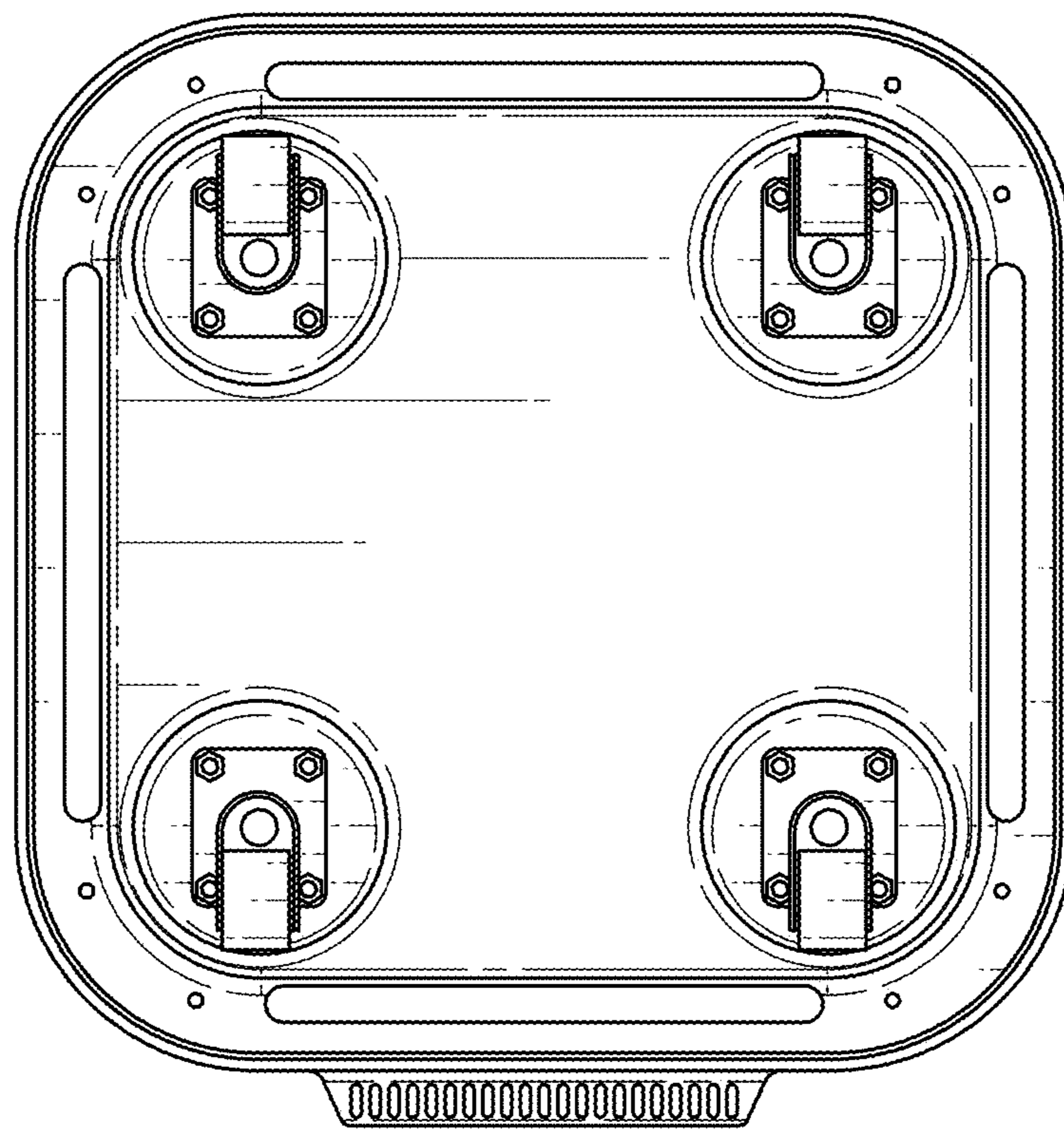


FIG. 3.2

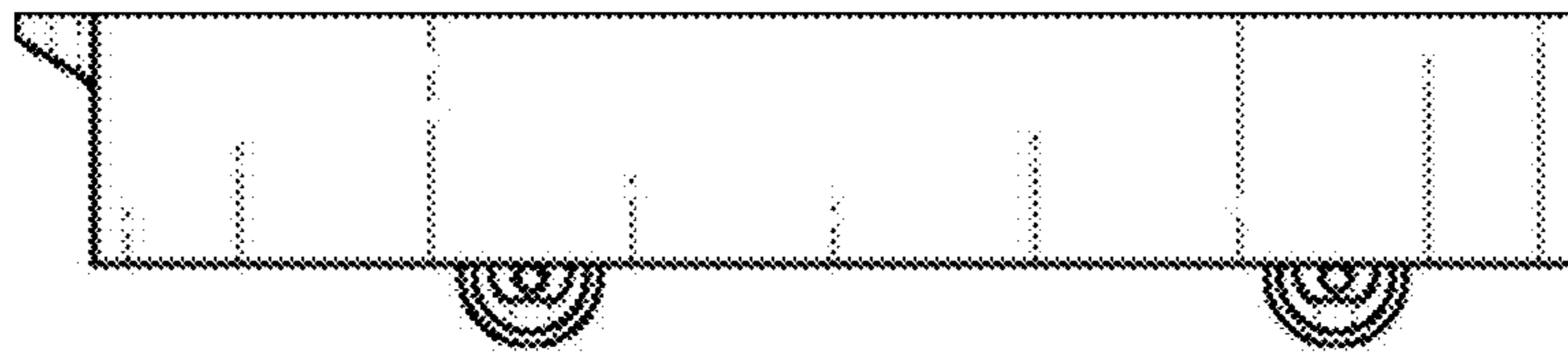


FIG. 3.3

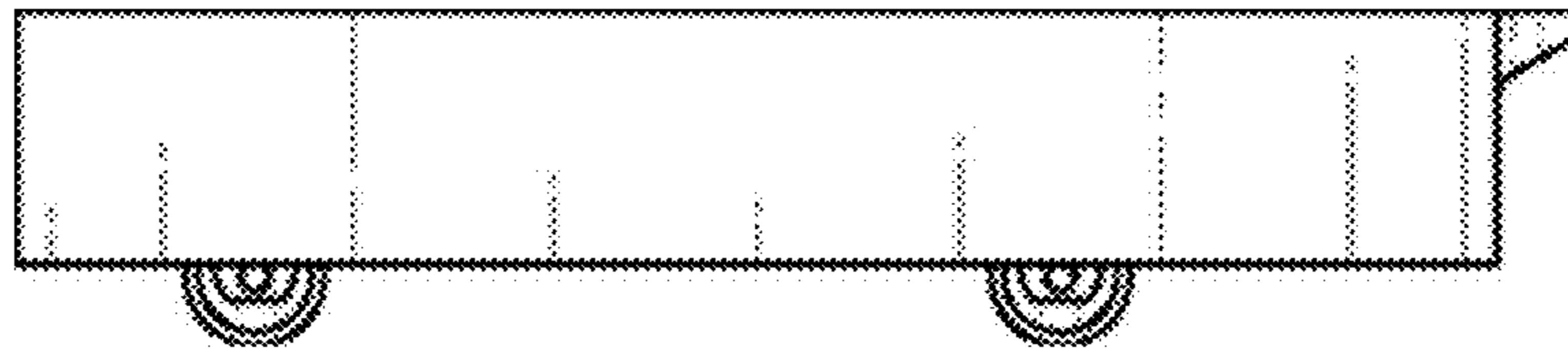


FIG. 3.4

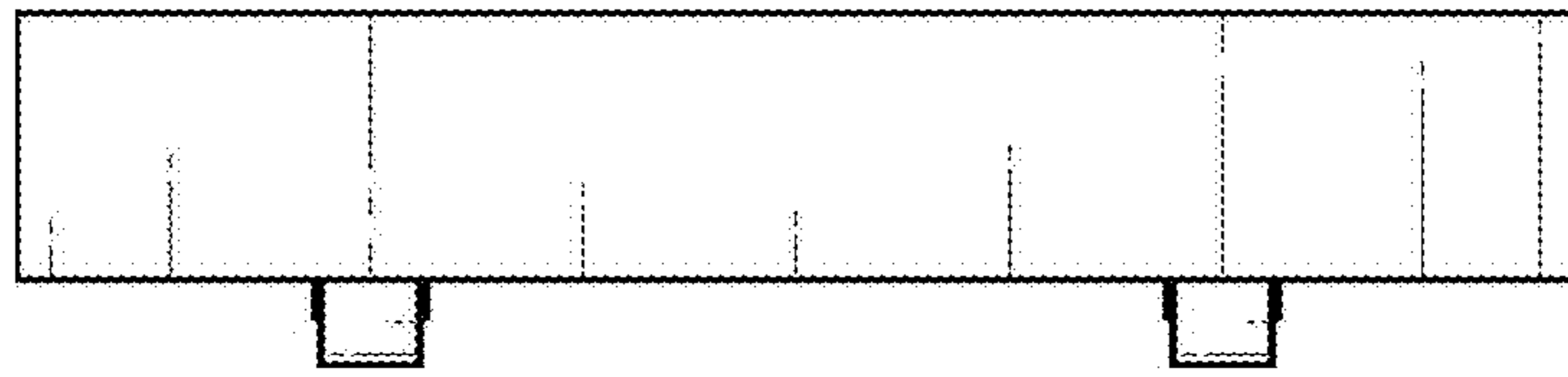


FIG. 3.5

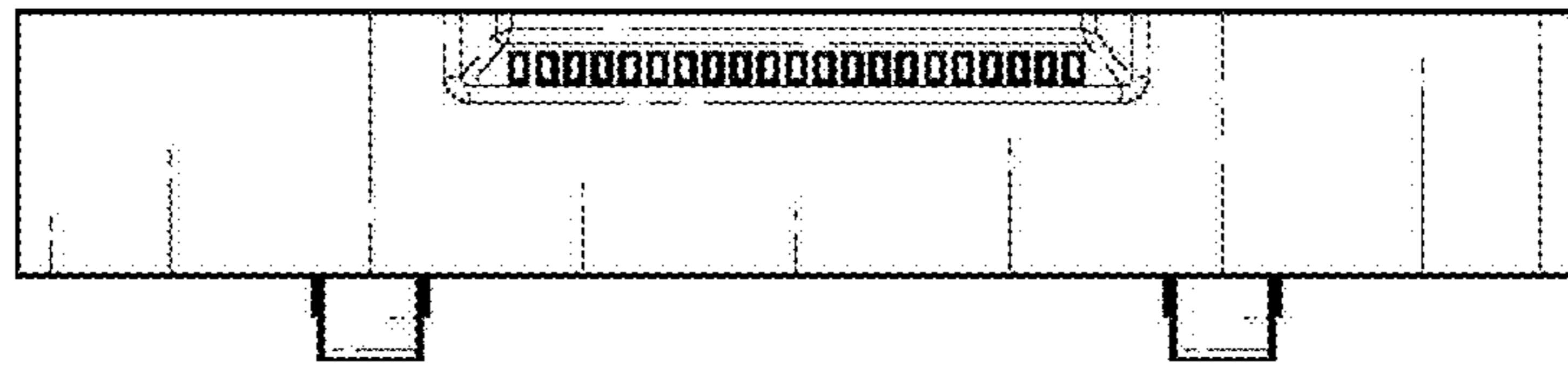


FIG. 3.6

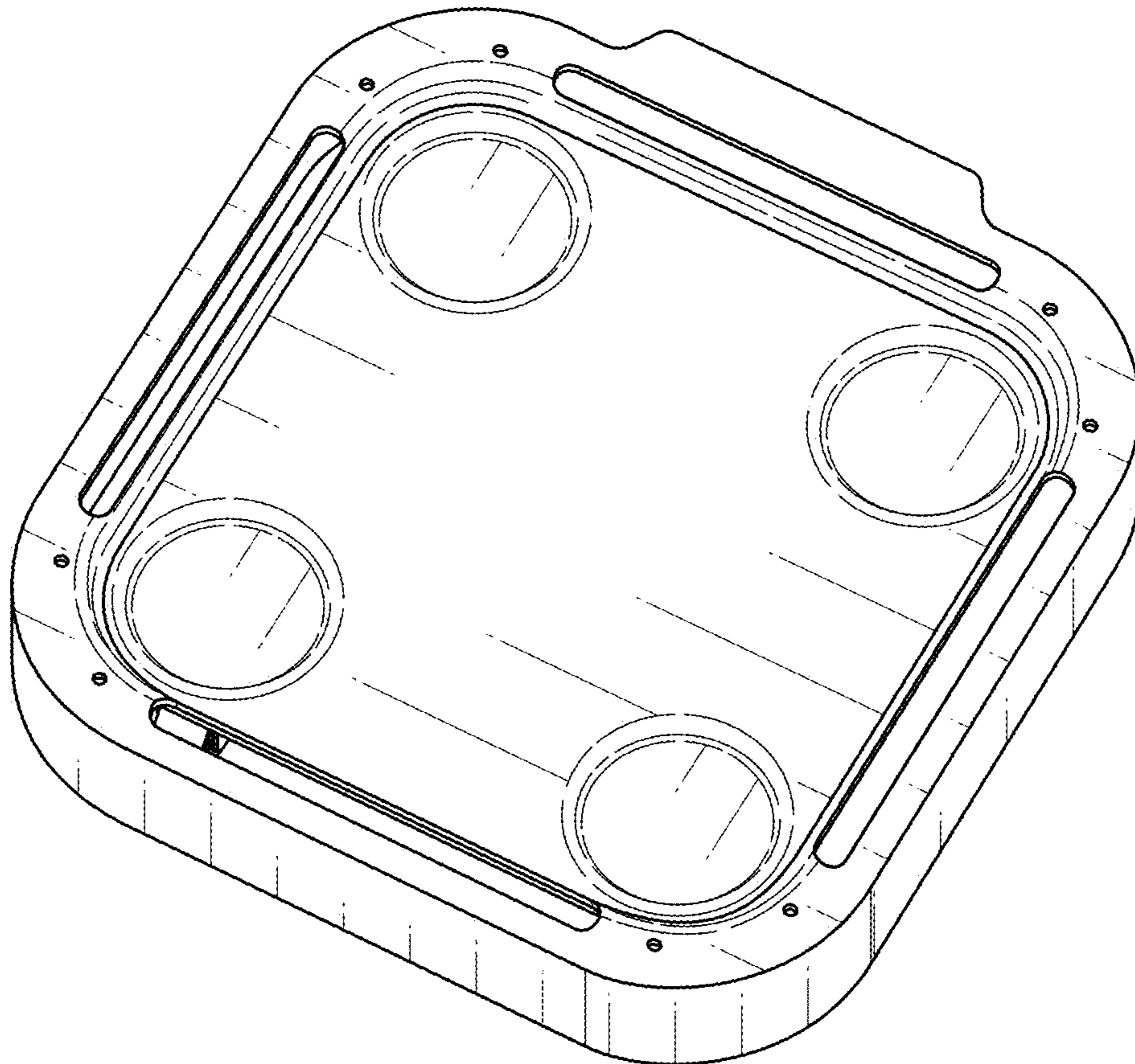


FIG. 3.7

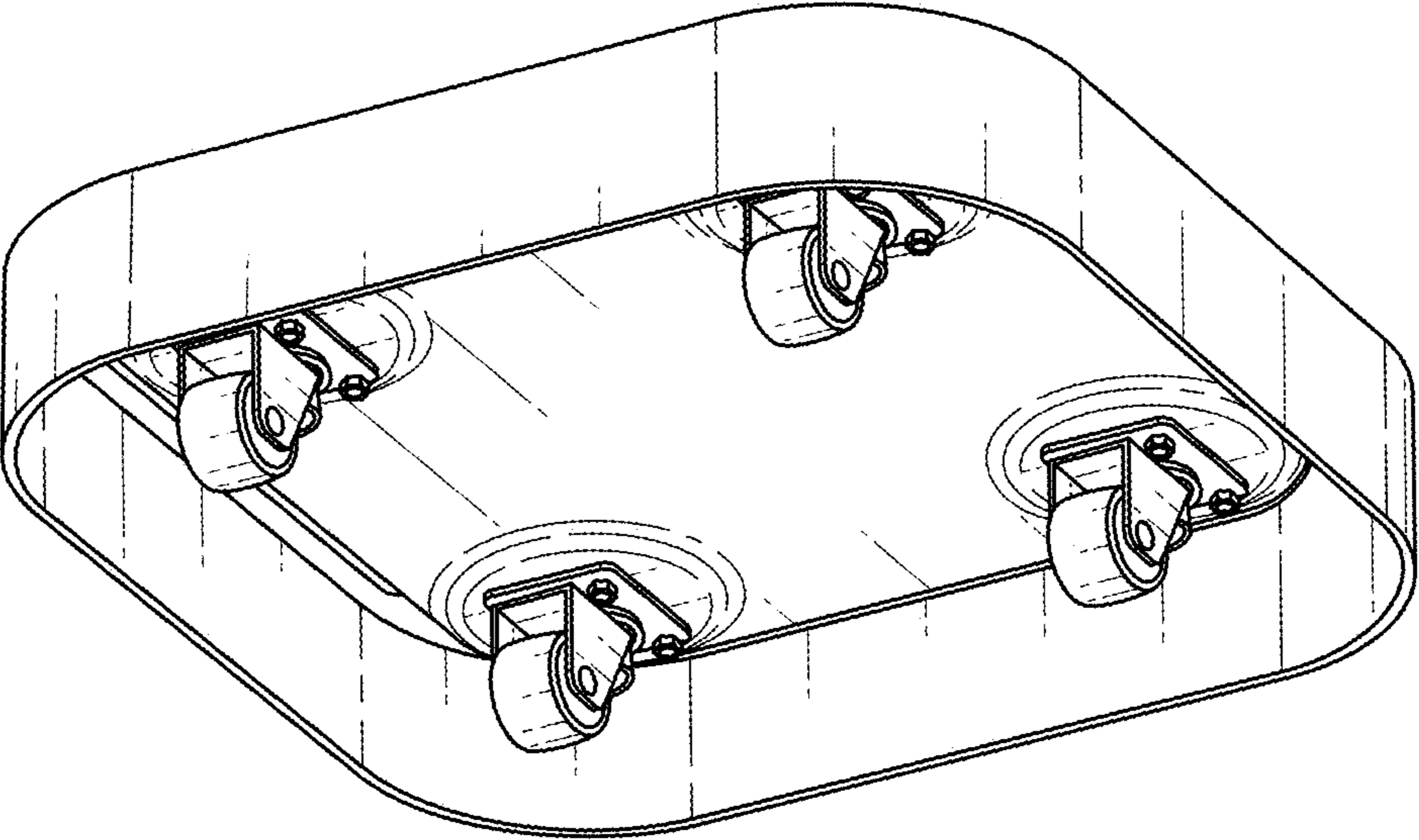


FIG. 3.8

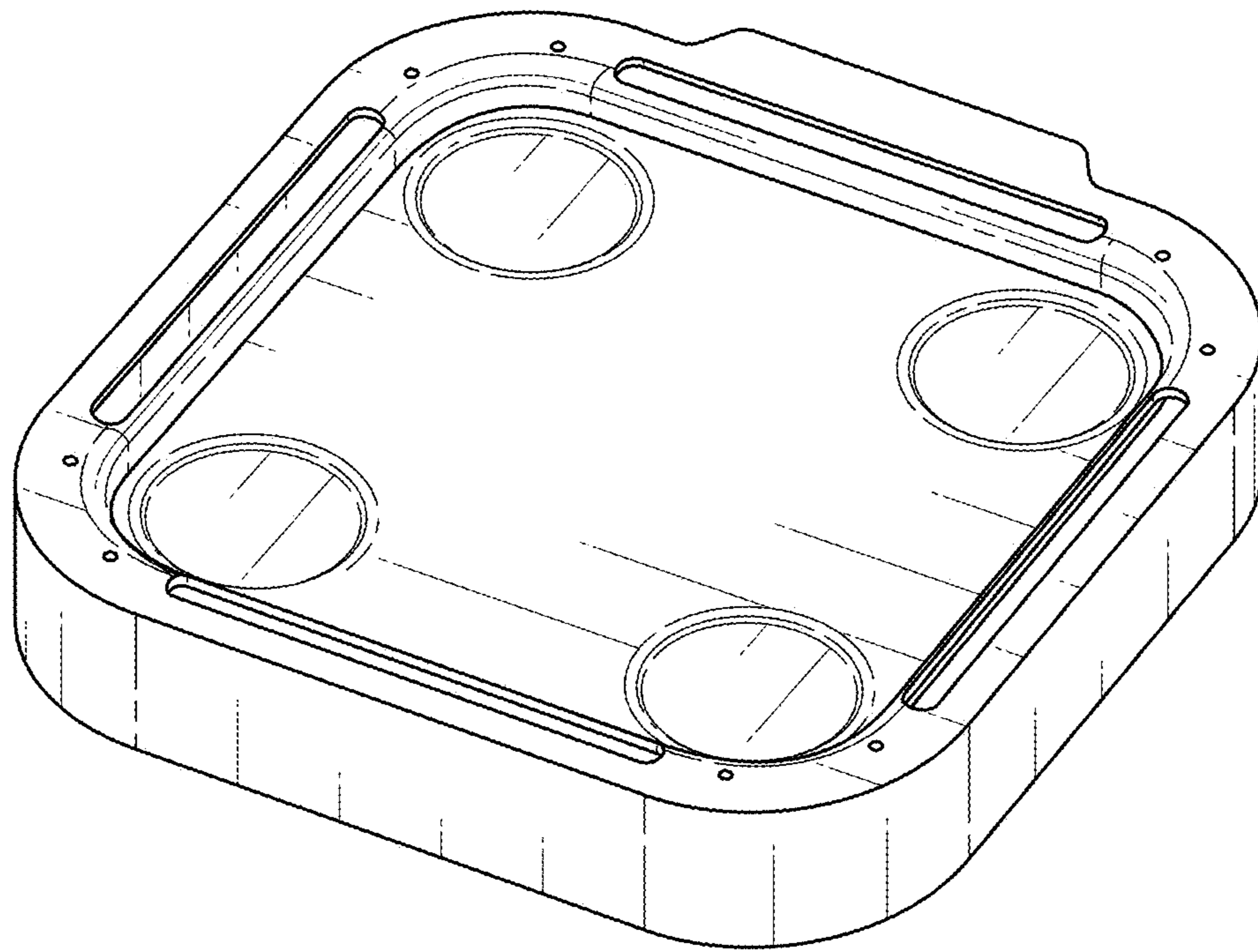


FIG. 3.9