



US00D988995S

(12) **United States Design Patent**
Hong

(10) **Patent No.:** **US D988,995 S**
(45) **Date of Patent:** **** Jun. 13, 2023**

(54) **CHARGER BOX FOR CAR**
(71) Applicant: **Shenzhen Runyanchen Technology Co., Ltd.**, Shenzhen (CN)
(72) Inventor: **Meijuan Hong**, Shenzhen (CN)
(73) Assignee: **Shenzhen Runyanchen Technology Co., Ltd.**, Shenzhen (CN)

D875,677 S * 2/2020 Shi D13/103
D970,438 S * 11/2022 Wu D3/274
11,552,485 B2 * 1/2023 Miller H02J 7/0045
D981,342 S * 3/2023 Liao D13/103
2007/0273325 A1 * 11/2007 Krieger H01M 6/5066
363/142

(**) Term: **15 Years**

* cited by examiner

(21) Appl. No.: **29/886,100**

Primary Examiner — Cynthia R Underwood

(22) Filed: **Mar. 6, 2023**

(51) **LOC (14) Cl.** **13-02**

(52) **U.S. Cl.**
USPC **D13/108; D13/107**

(58) **Field of Classification Search**
USPC D13/137.2, 133, 123, 137.1, 110, 147,
D13/146, 107, 108, 101; 385/76
CPC H01R 24/78; H01R 25/006; G02B 6/3878;
G02B 6/38875; G02B 6/3885; B60L
11/1809
See application file for complete search history.

(57) **CLAIM**

The ornamental design for a charger box for car, as shown and described.

DESCRIPTION

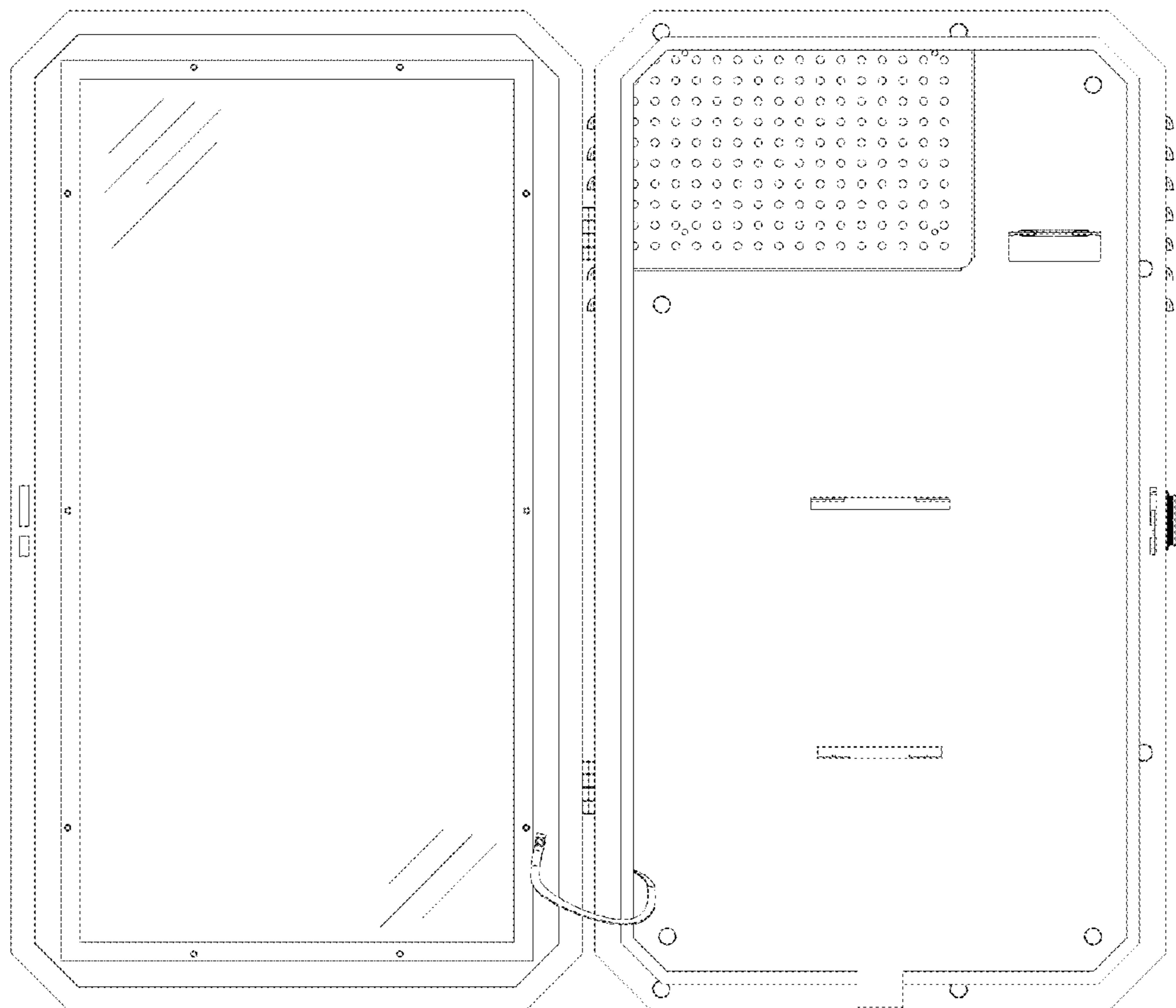
FIG. 1 is a front view of a charger box for car, showing my new design;
FIG. 2 is a rear view thereof;
FIG. 3 is a left side view thereof;
FIG. 4 is a right side view thereof;
FIG. 5 is a top view thereof;
FIG. 6 is a bottom view thereof;
FIG. 7 is a front perspective view thereof;
FIG. 8 is a partial enlargement of FIG. 7; and,
FIG. 9 is a partial enlargement of FIG. 7.
The broken lines labeling encircling the enlarged portions form no part of the claim.

(56) **References Cited**

U.S. PATENT DOCUMENTS

5,951,229 A * 9/1999 Hammerslag B60L 3/12
180/68.5
D684,930 S 6/2013 Wang

1 Claim, 9 Drawing Sheets



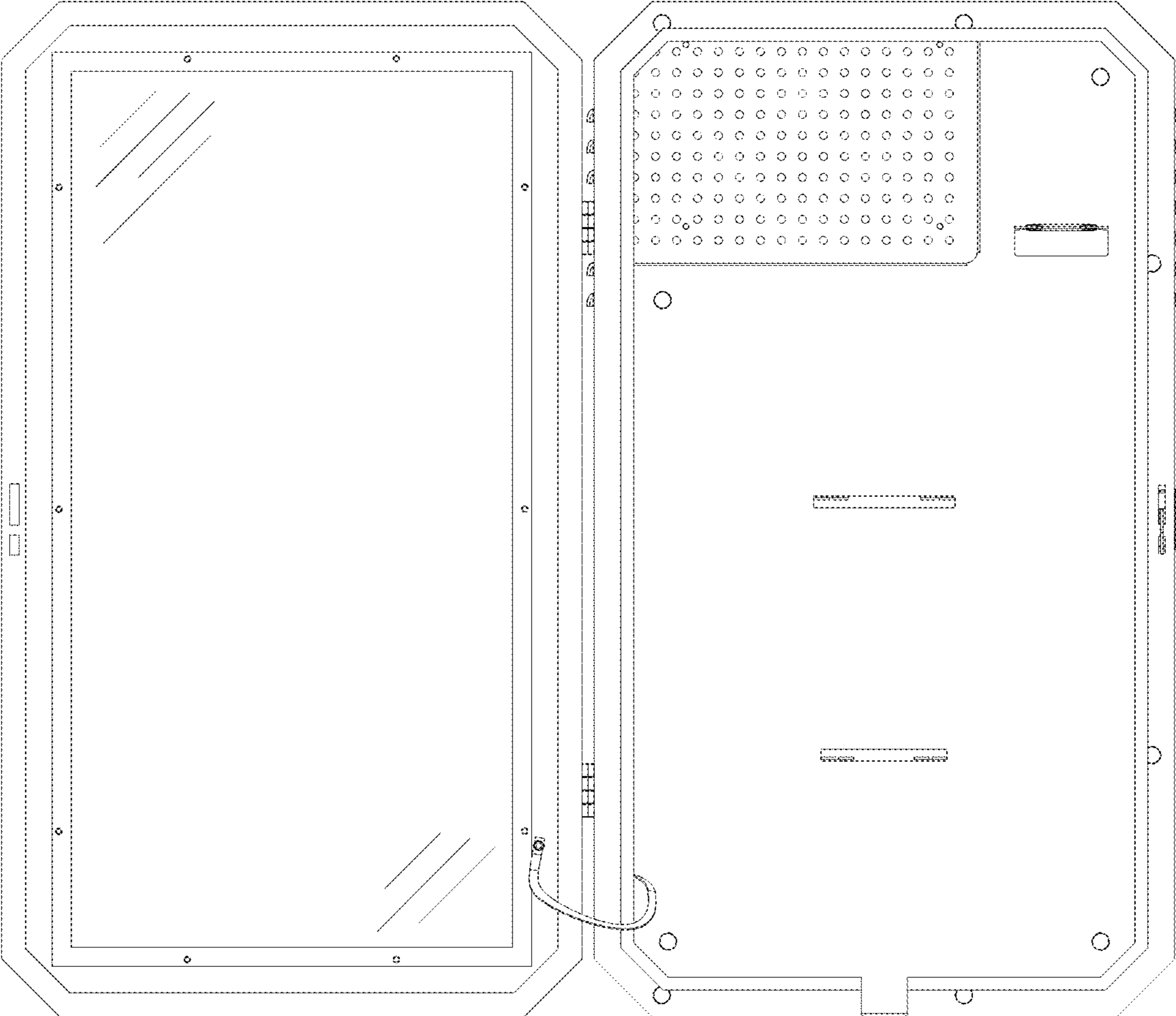


FIG1

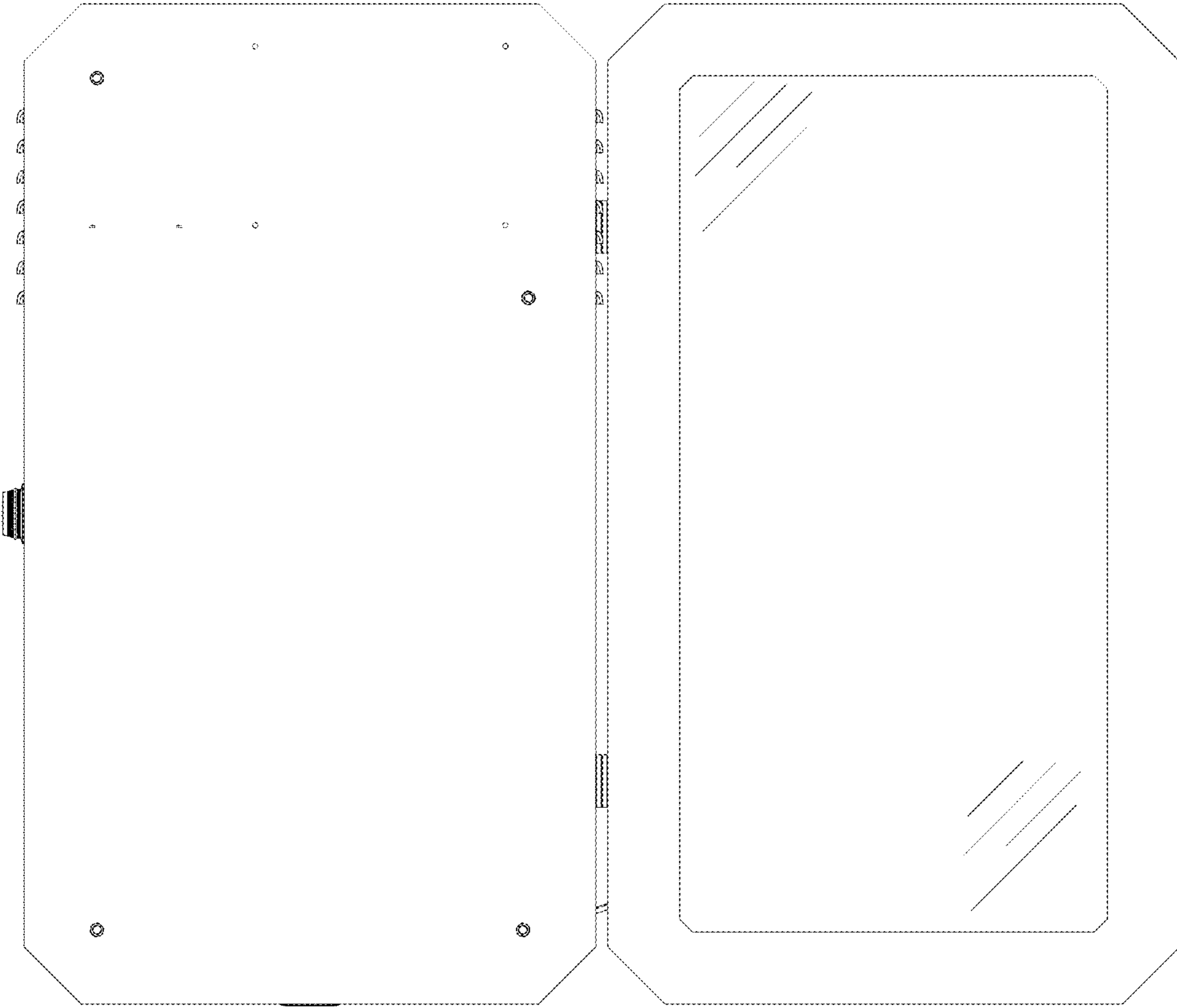


FIG2

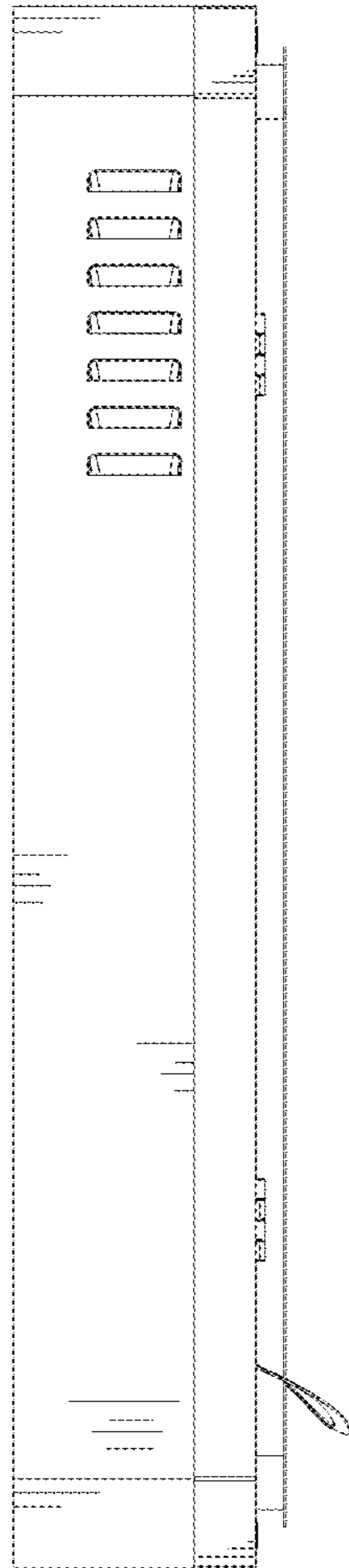


FIG3

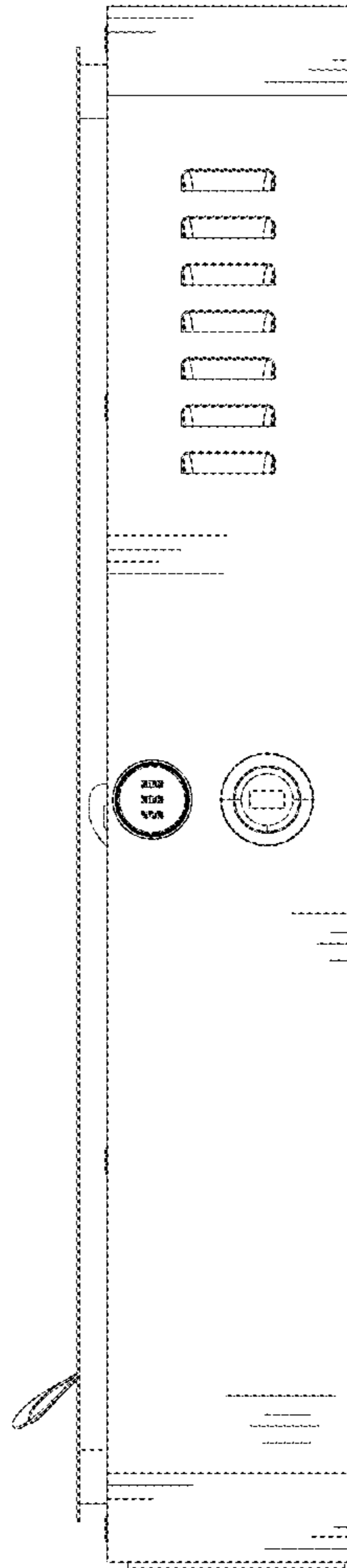


FIG4

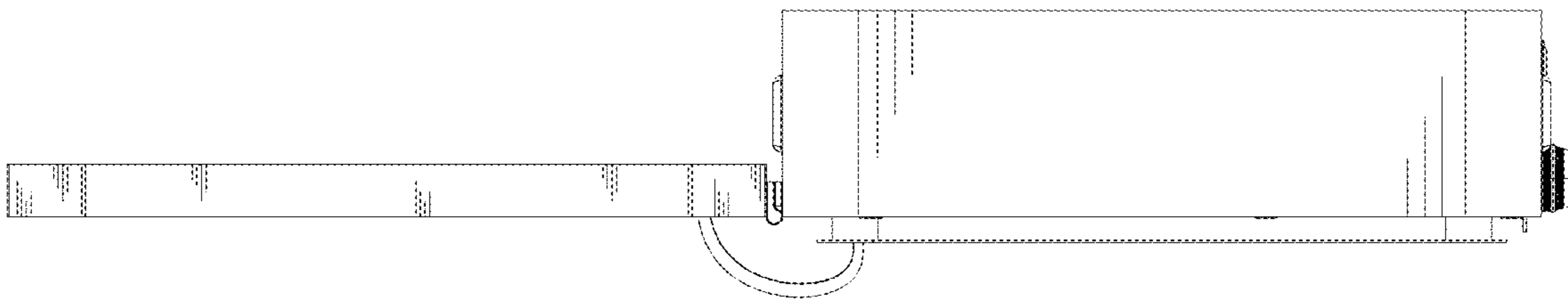


FIG5

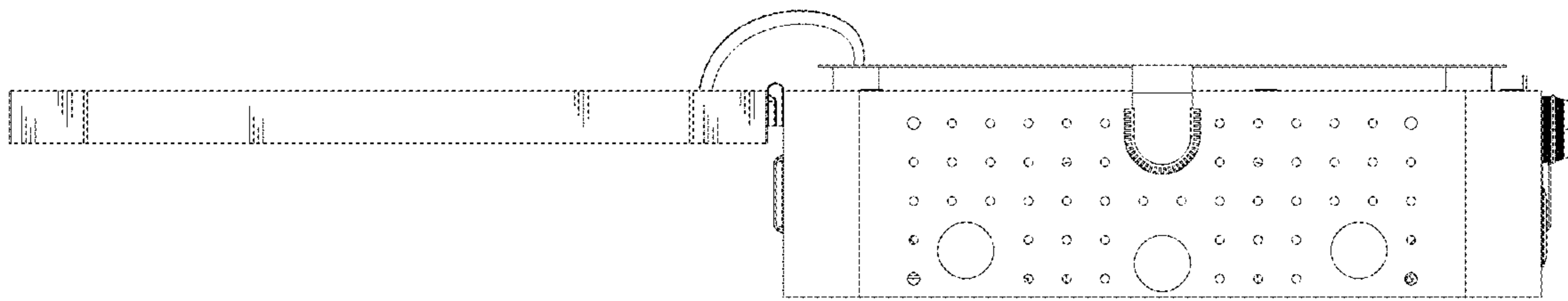


FIG 6

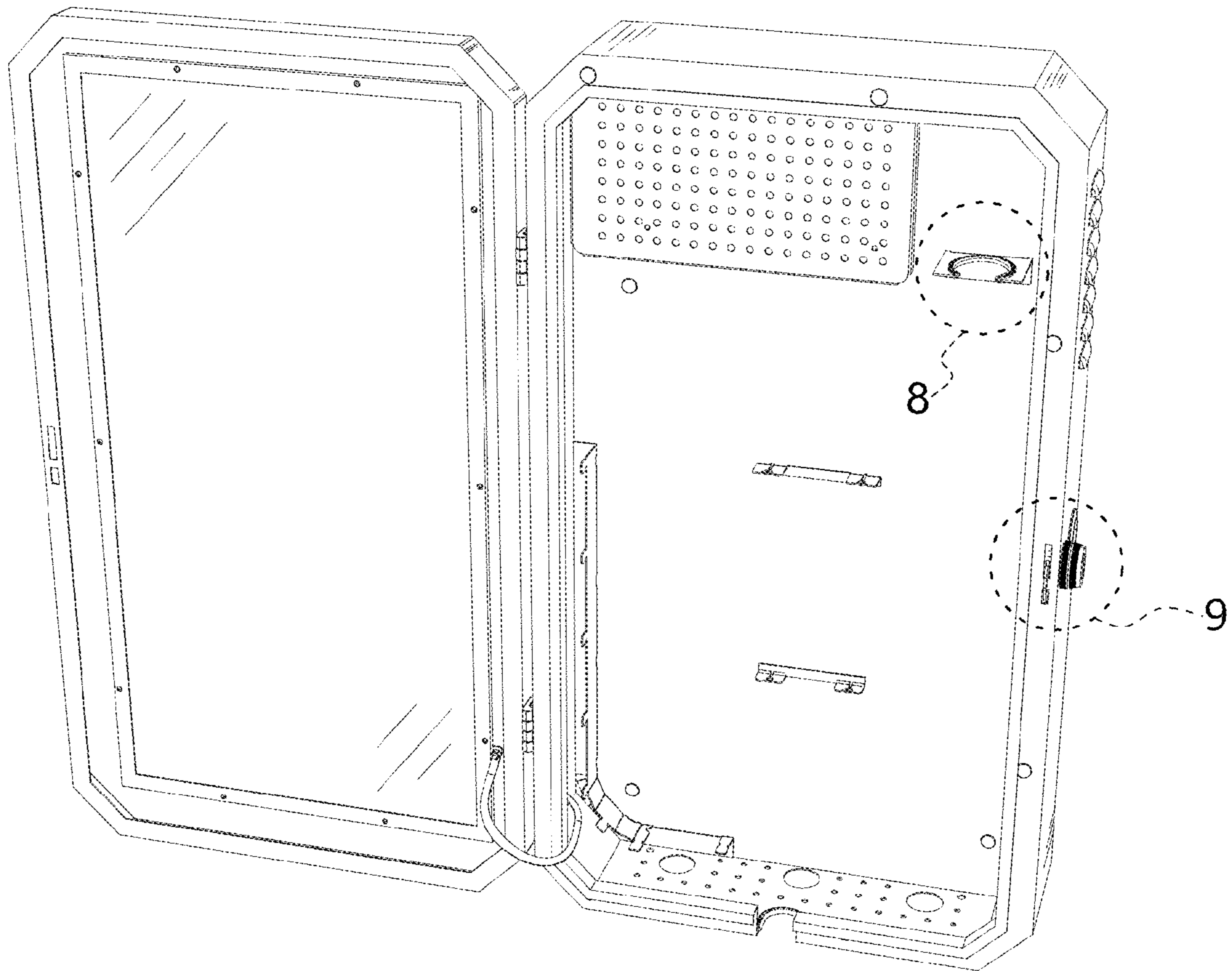


FIG 7

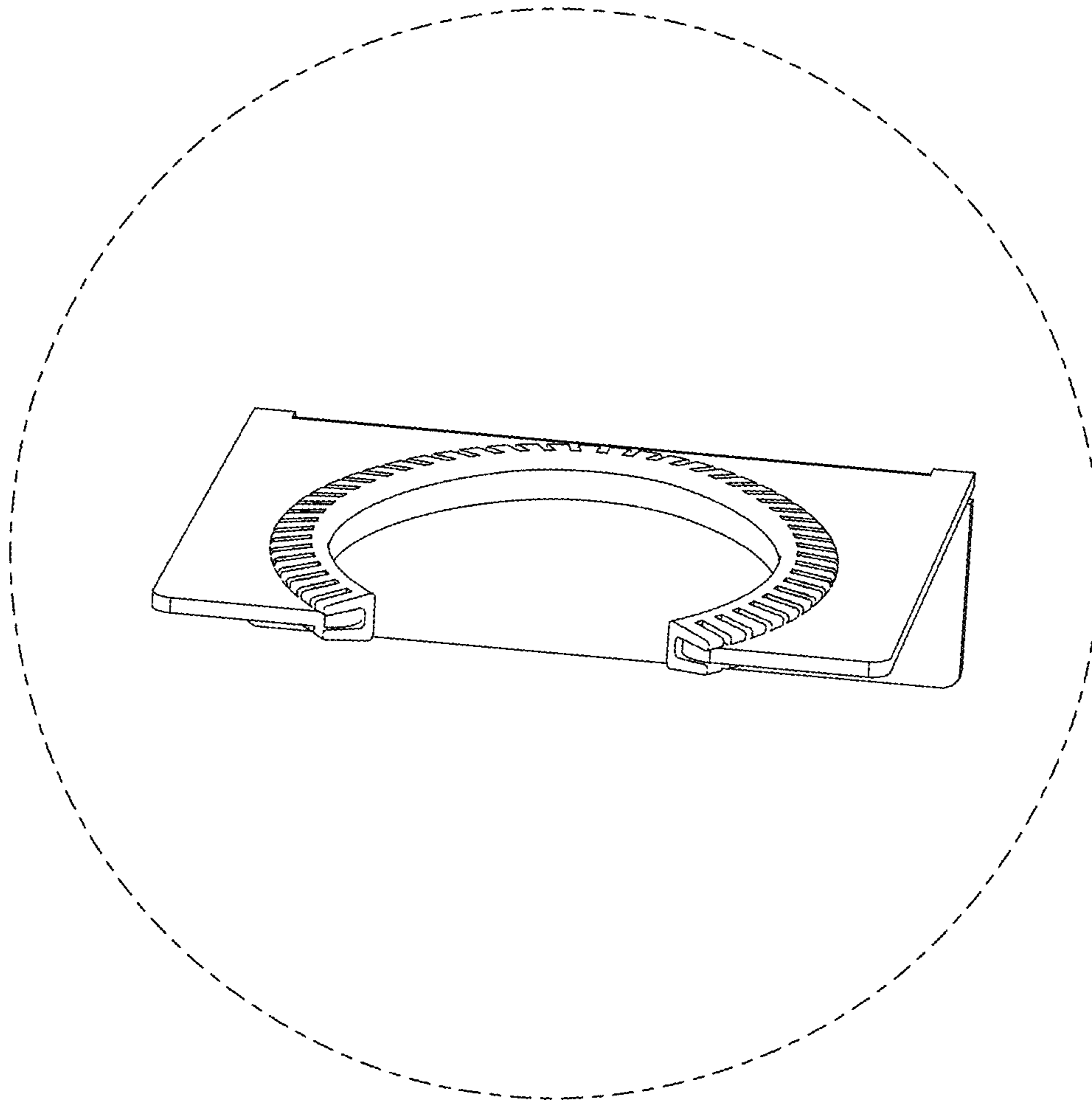


FIG 8

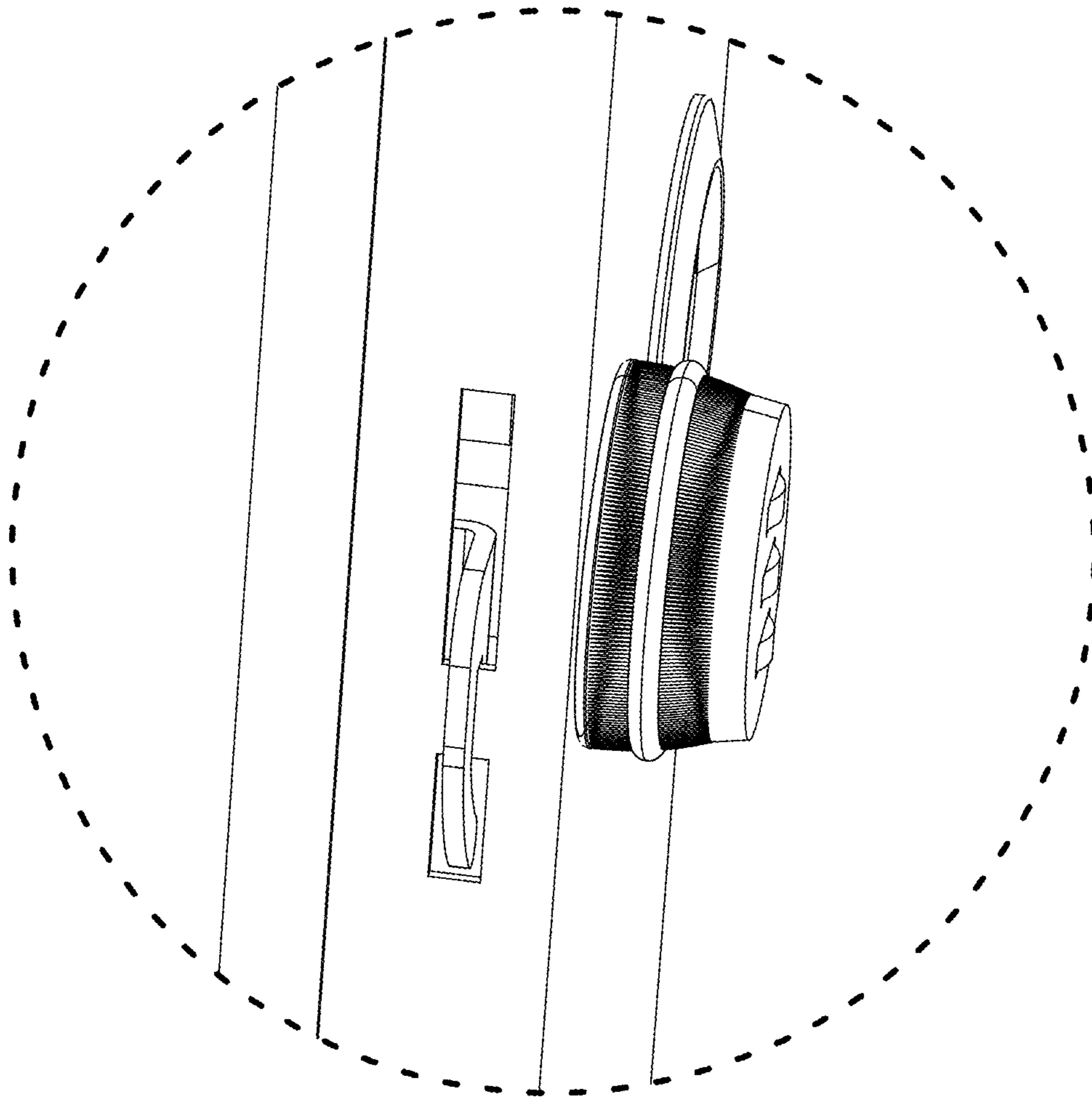


FIG 9