



US00D988994S

(12) **United States Design Patent**  
**Wu**

(10) **Patent No.:** **US D988,994 S**  
(45) **Date of Patent:** **\*\* Jun. 13, 2023**

(54) **THREE-IN-ONE FOLDABLE WIRELESS CHARGER**

(71) Applicant: **Guanyuan Shengye (Shenzhen) Intelligent Technology Co., Ltd.,**  
Shenzhen (CN)

(72) Inventor: **Manfang Wu, Heyuan (CN)**

(\*\*) Term: **15 Years**

(21) Appl. No.: **29/815,511**

(22) Filed: **Nov. 15, 2021**

(51) **LOC (14) Cl.** ..... **13-02**

(52) **U.S. Cl.**  
USPC ..... **D13/108**

(58) **Field of Classification Search**  
USPC ..... D13/103, 107, 108, 110, 118, 151, 153,  
D13/154, 155, 184  
CPC ..... Y02E 60/10; Y02E 60/50; H01M 50/10;  
H01M 50/107; H01M 50/557; H01M  
50/209; H01M 50/502; H01M 2220/30;  
H02J 7/00; H02J 7/0003; H02J 7/0011;  
H02J 7/0013; H02J 7/0054; H02J 7/0055;  
H02J 7/0057

See application file for complete search history.

(56) **References Cited**

**U.S. PATENT DOCUMENTS**

D776,053 S *	1/2017	Barnard	.....	D13/108
D788,699 S *	6/2017	Hoehn	.....	D13/107
D859,308 S *	9/2019	Connell	.....	D13/108
D920,237 S *	5/2021	Huang	.....	D13/108
D920,239 S *	5/2021	Cheng	.....	D13/108
D920,240 S *	5/2021	Xiao	.....	D13/108
D920,241 S *	5/2021	Xiao	.....	D13/108
D926,126 S *	7/2021	DeMaio	.....	D13/108
D930,582 S *	9/2021	Lee	.....	D13/108
D930,583 S *	9/2021	Lee	.....	D13/108
D931,209 S *	9/2021	Hahn	.....	D13/108
D931,211 S *	9/2021	Cheng	.....	D13/108

D935,397 S *	11/2021	Brisebras	.....	D13/108
D935,399 S *	11/2021	Lin	.....	D13/108
D944,198 S *	2/2022	Wu	.....	D13/108
D955,330 S *	6/2022	Jiang	.....	D13/108
D955,332 S *	6/2022	Wang	.....	D13/108
D956,692 S *	7/2022	Turksu	.....	D14/447
D961,507 S *	8/2022	Lai	.....	D13/108
D968,321 S *	11/2022	Turksu	.....	D13/108

(Continued)

**OTHER PUBLICATIONS**

Amazon.com: AOGUERBE Wireless Charger 3 in 1 . . . Date first available of Sep. 4, 2021. Retrieved from the internet at <<https://www.amazon.com/AOGUERBE-Wireless-Foldable-Compatible-Qi-Enable/dp/B09FGHFH6C/>>, Jul. 13, 2022. 1 page. (Year: 2021).\*

(Continued)

*Primary Examiner* — Christy Nemeth

(74) *Attorney, Agent, or Firm* — Rumit Ranjit Kanakia

(57) **CLAIM**

The ornamental design for a three-in-one foldable wireless charger, substantially as shown and described.

**DESCRIPTION**

FIG. 1 is a top, rear and left side perspective view of a three-in-one foldable wireless charger, showing my new design;

FIG. 2 is a bottom, rear and left side perspective view;

FIG. 3 is a front elevational view thereof;

FIG. 4 is a rear elevational view thereof;

FIG. 5 is a left side elevational view thereof;

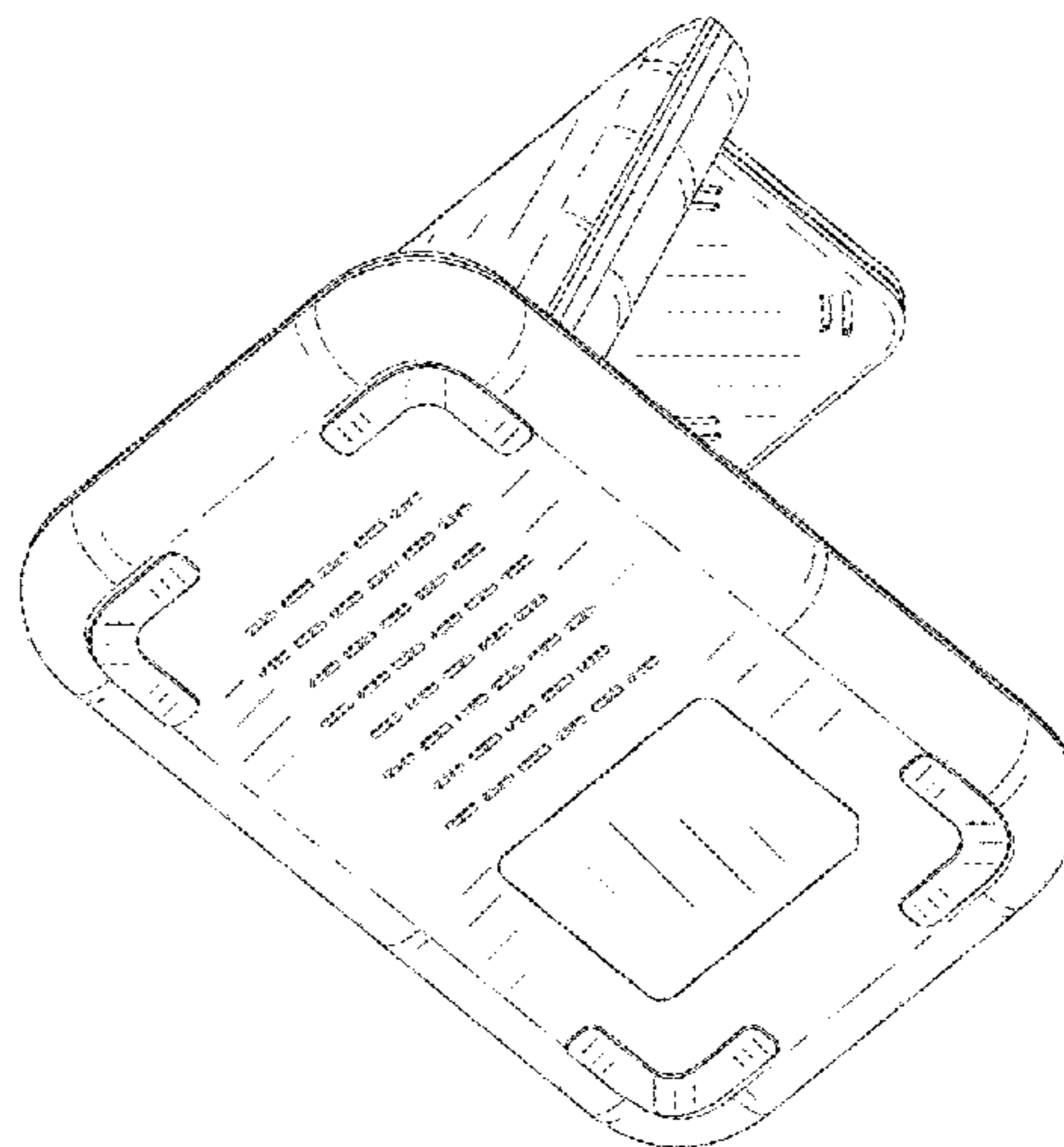
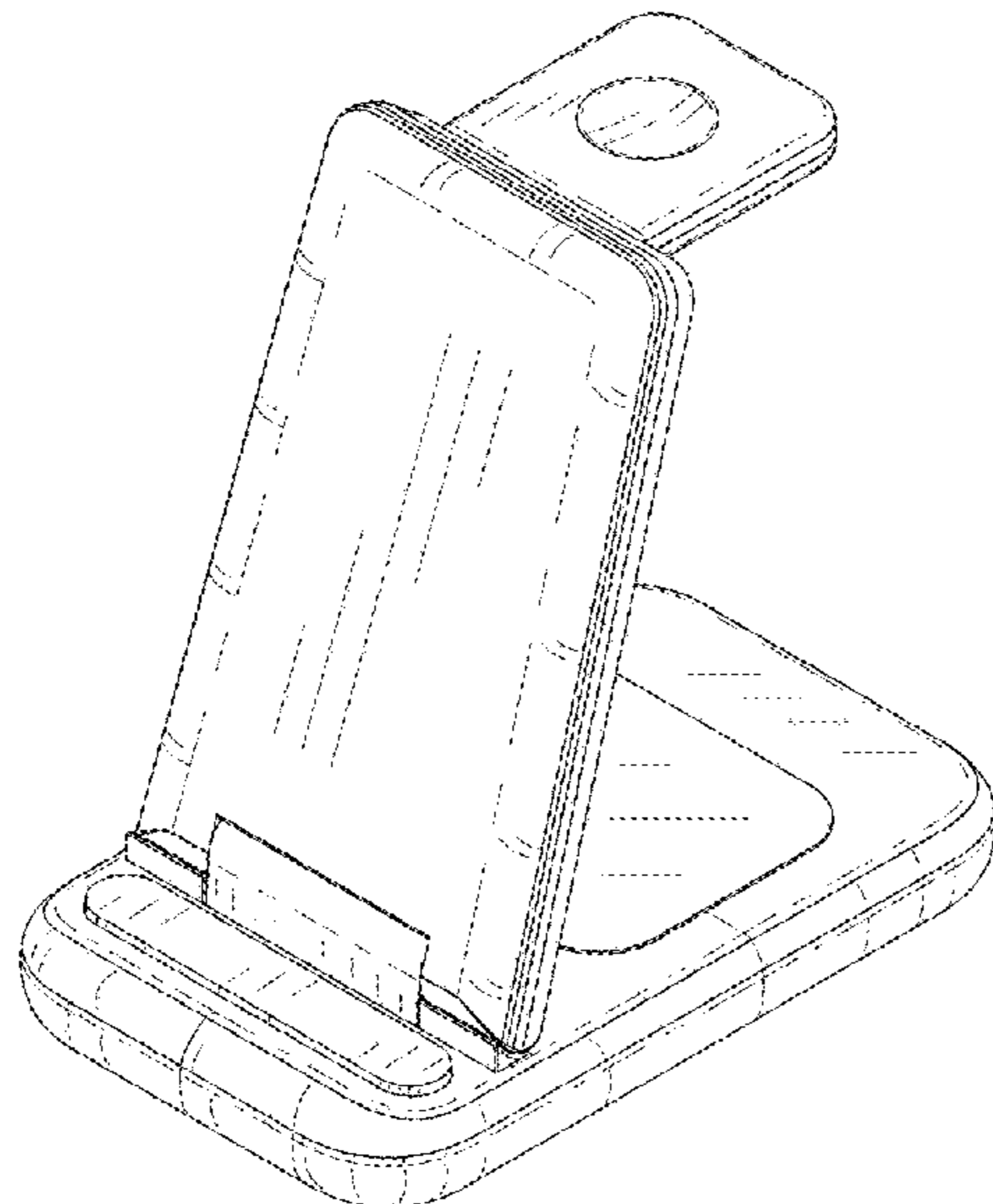
FIG. 6 is a right side elevational view thereof;

FIG. 7 is a top plan view thereof; and,

FIG. 8 is a bottom plan view thereof.

The broken lines in the drawings illustrate portions of the three-in-one foldable wireless charger that form no part of the claimed design.

**1 Claim, 8 Drawing Sheets**



(56)

**References Cited**

U.S. PATENT DOCUMENTS

D973,588 S \* 12/2022 Wang ..... D13/108  
D975,639 S \* 1/2023 Wang ..... D13/108  
D976,207 S \* 1/2023 Wu ..... D13/108  
D976,822 S \* 1/2023 Li ..... D13/108  
D976,824 S \* 1/2023 Fan ..... D13/108  
2020/0185952 A1 \* 6/2020 Morrow ..... H02J 50/005

OTHER PUBLICATIONS

Amazon.com: MSTJRY Wireless Charging Station . . . Date first available of Sep. 15, 2021. Retrieved from the internet at <<https://www.amazon.com/dp/B09GBCGYGF/>>, Jul. 13, 2022. 1 page. (Year: 2021).\*

\* cited by examiner

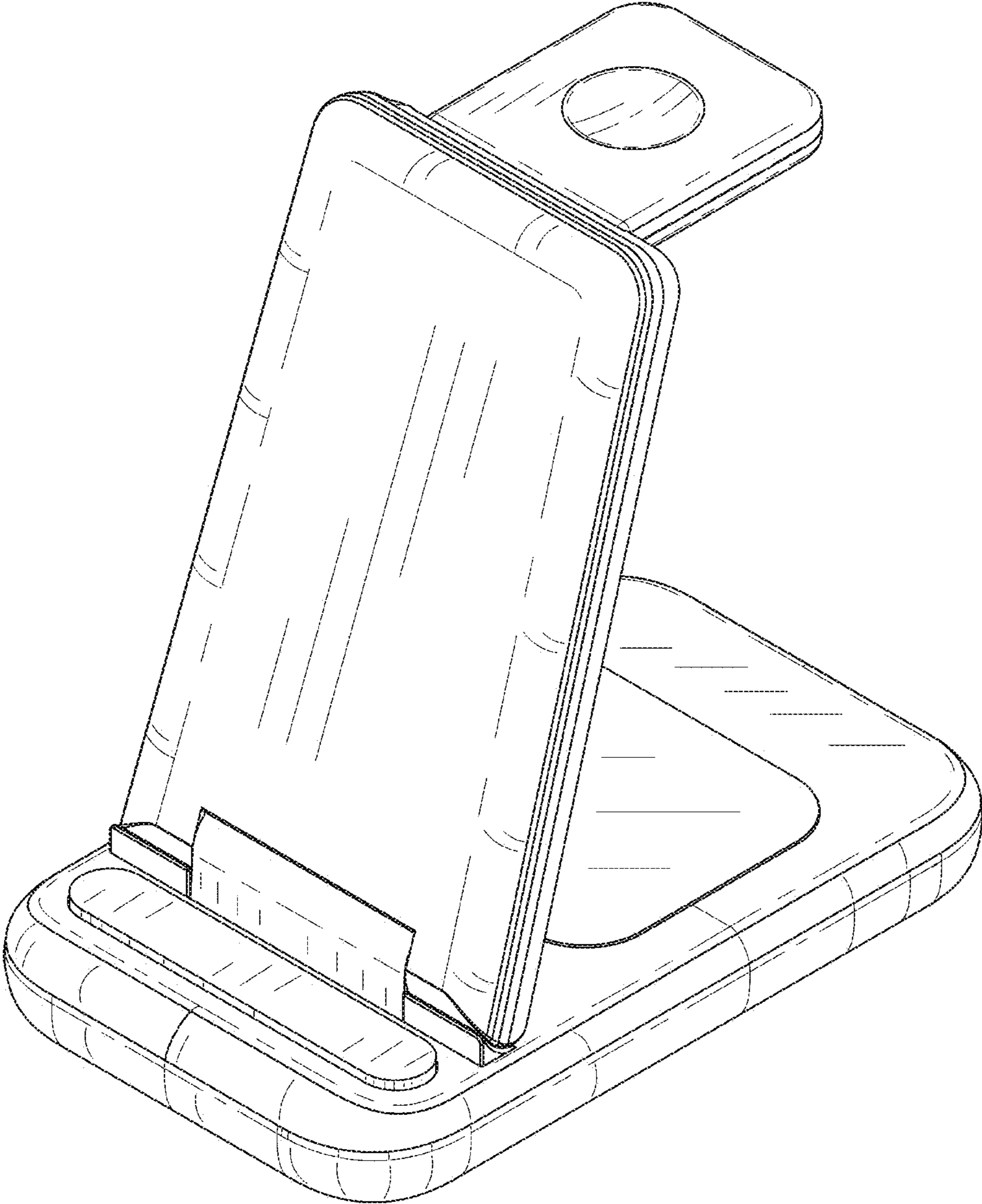


FIG.1

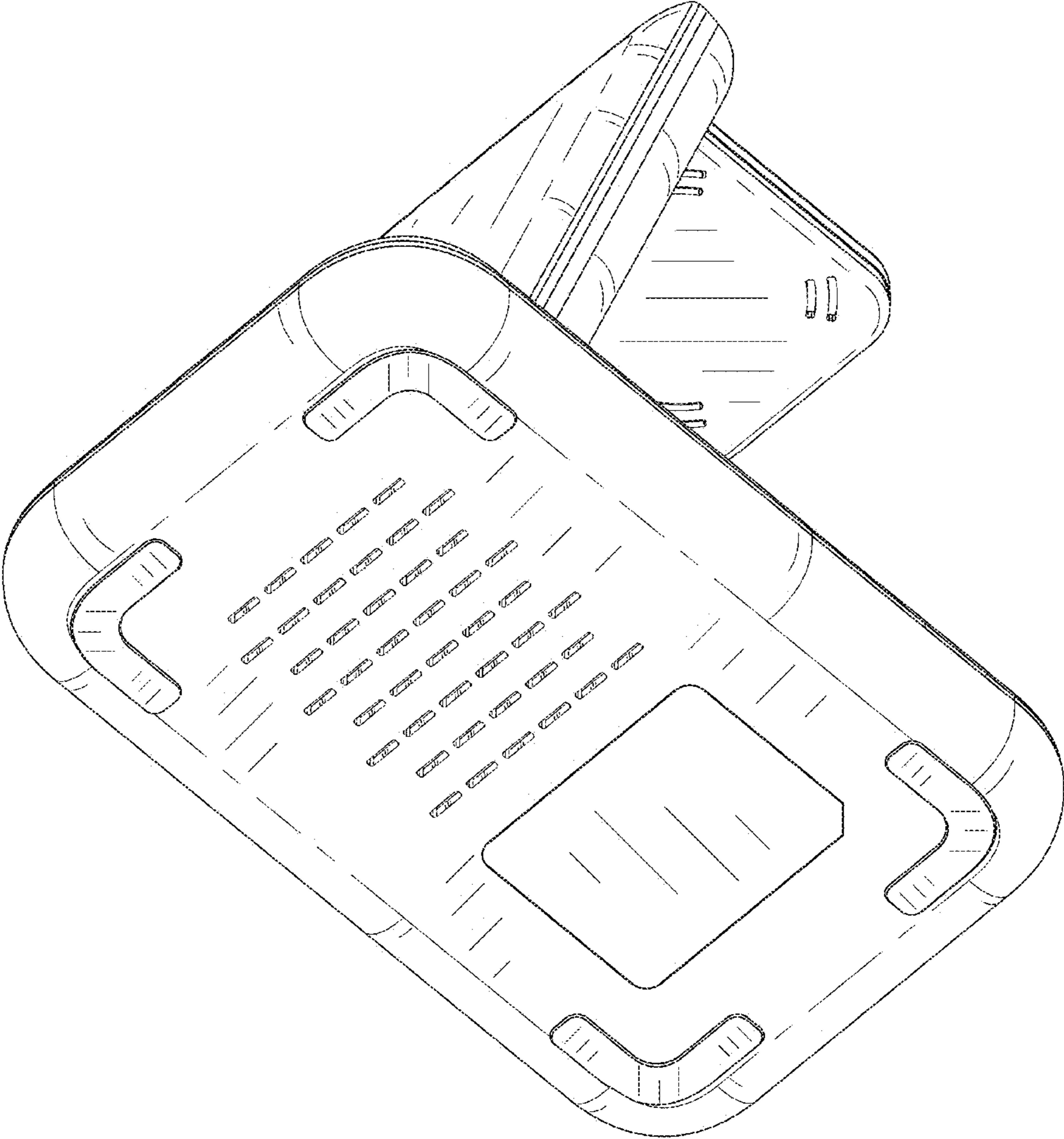


FIG.2

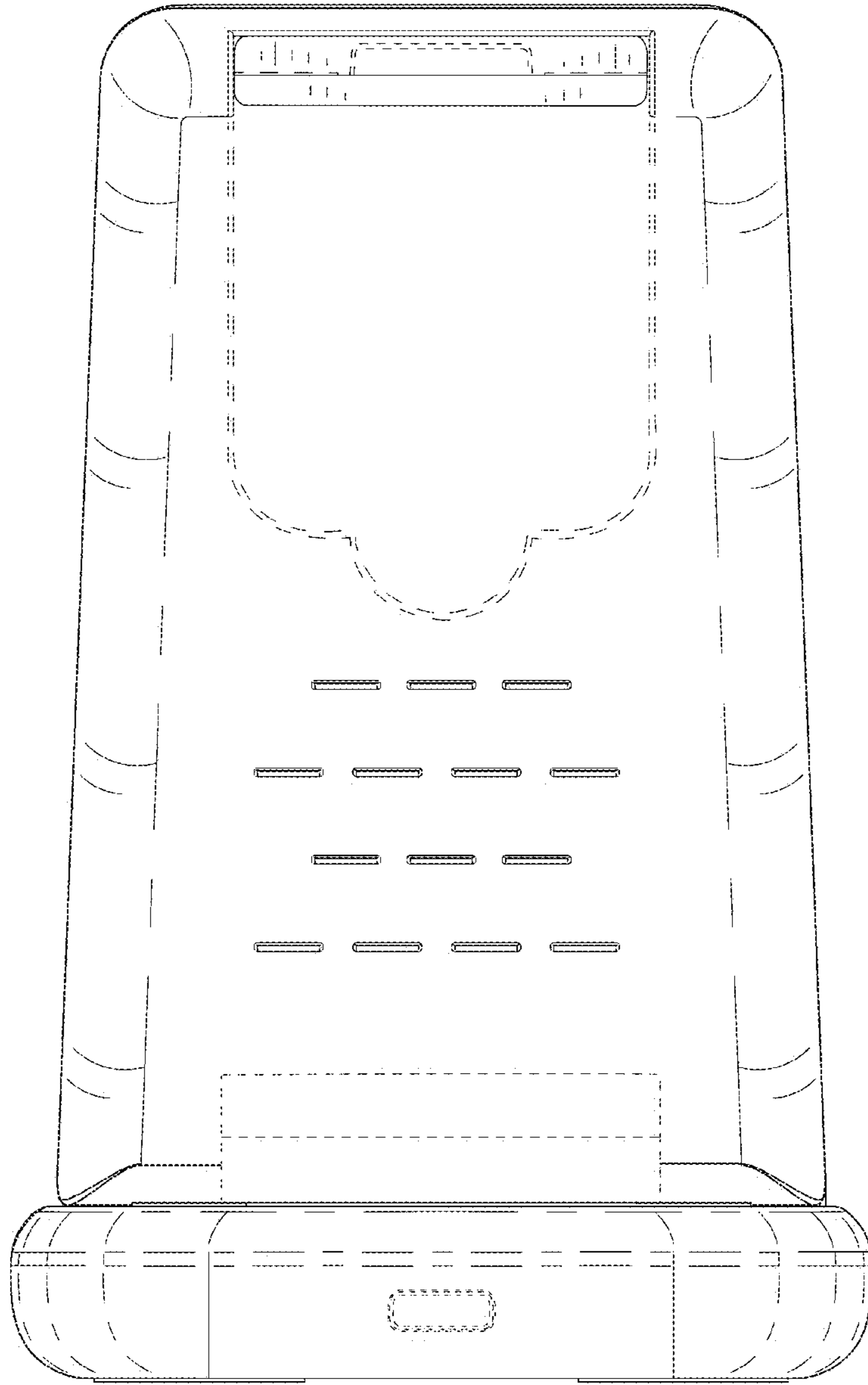


FIG.3

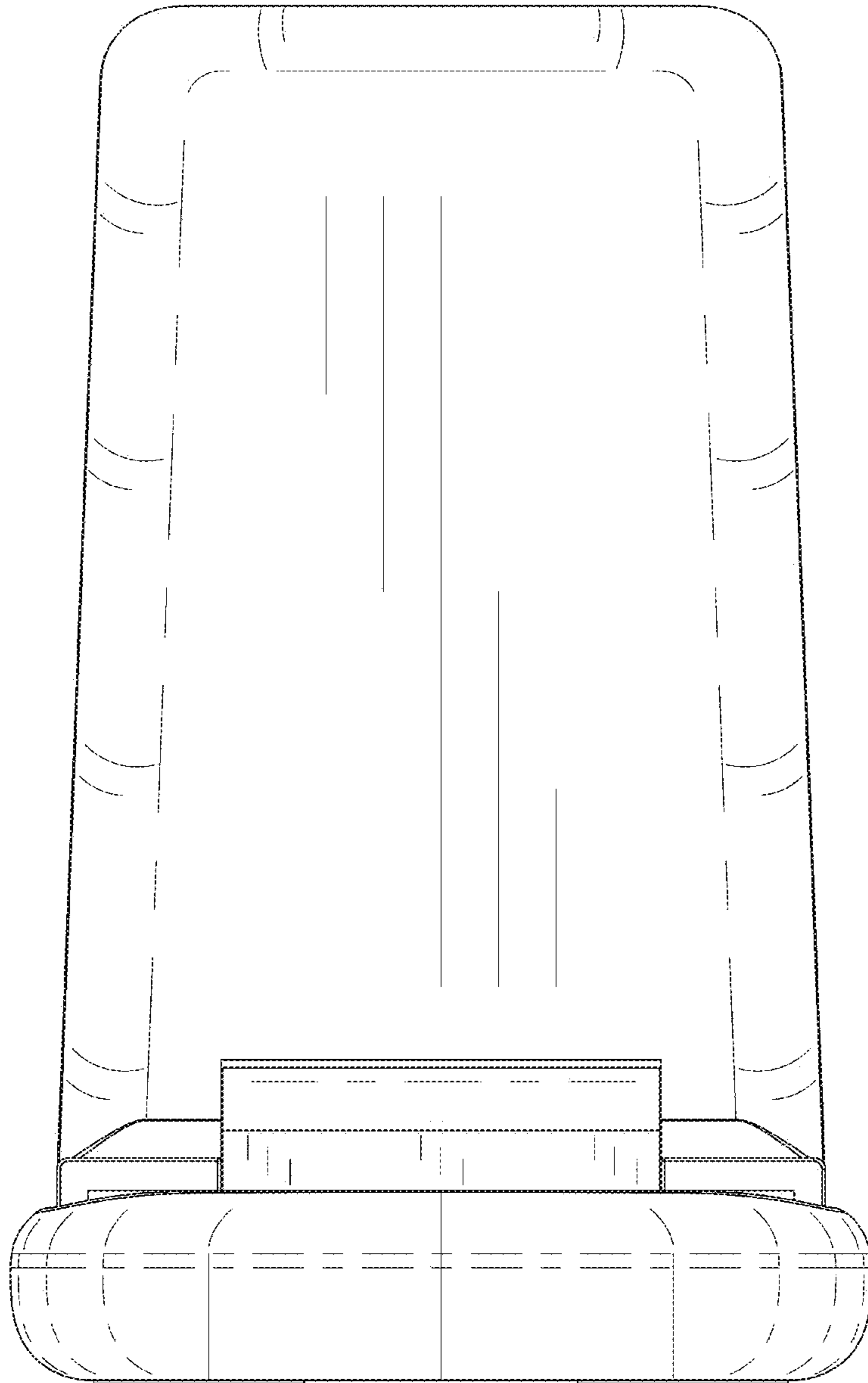


FIG.4

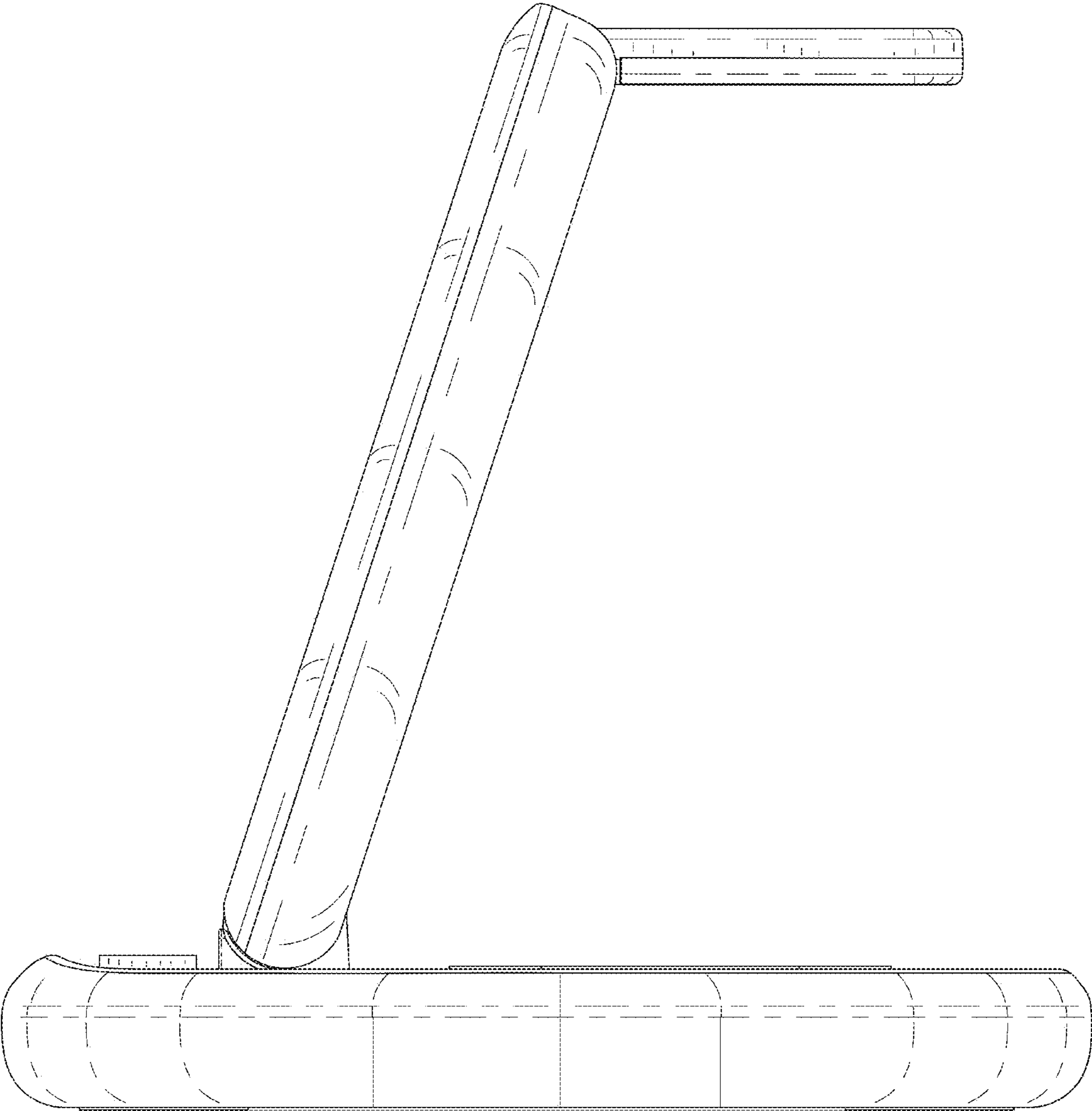


FIG.5

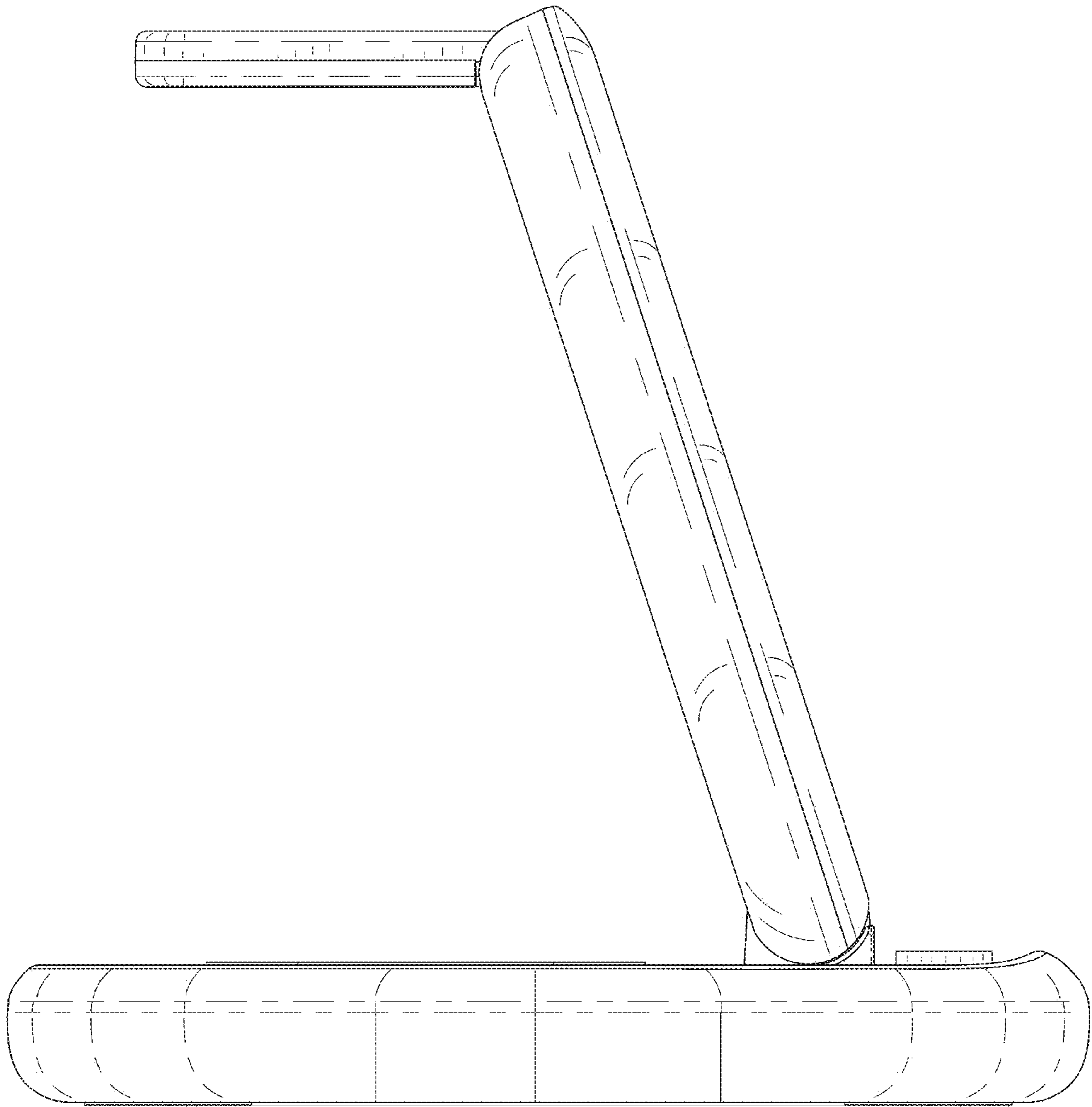


FIG.6



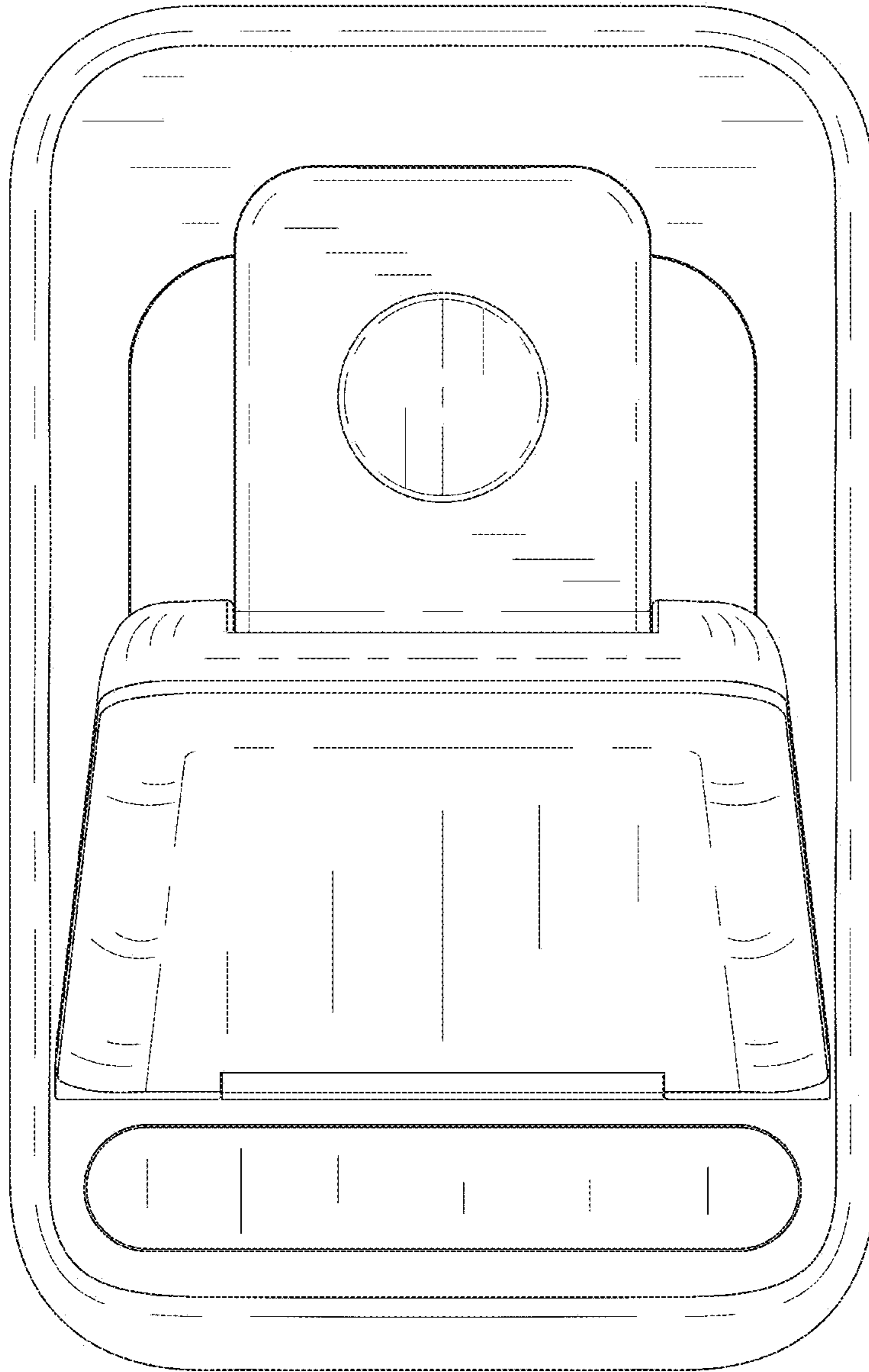


FIG.7

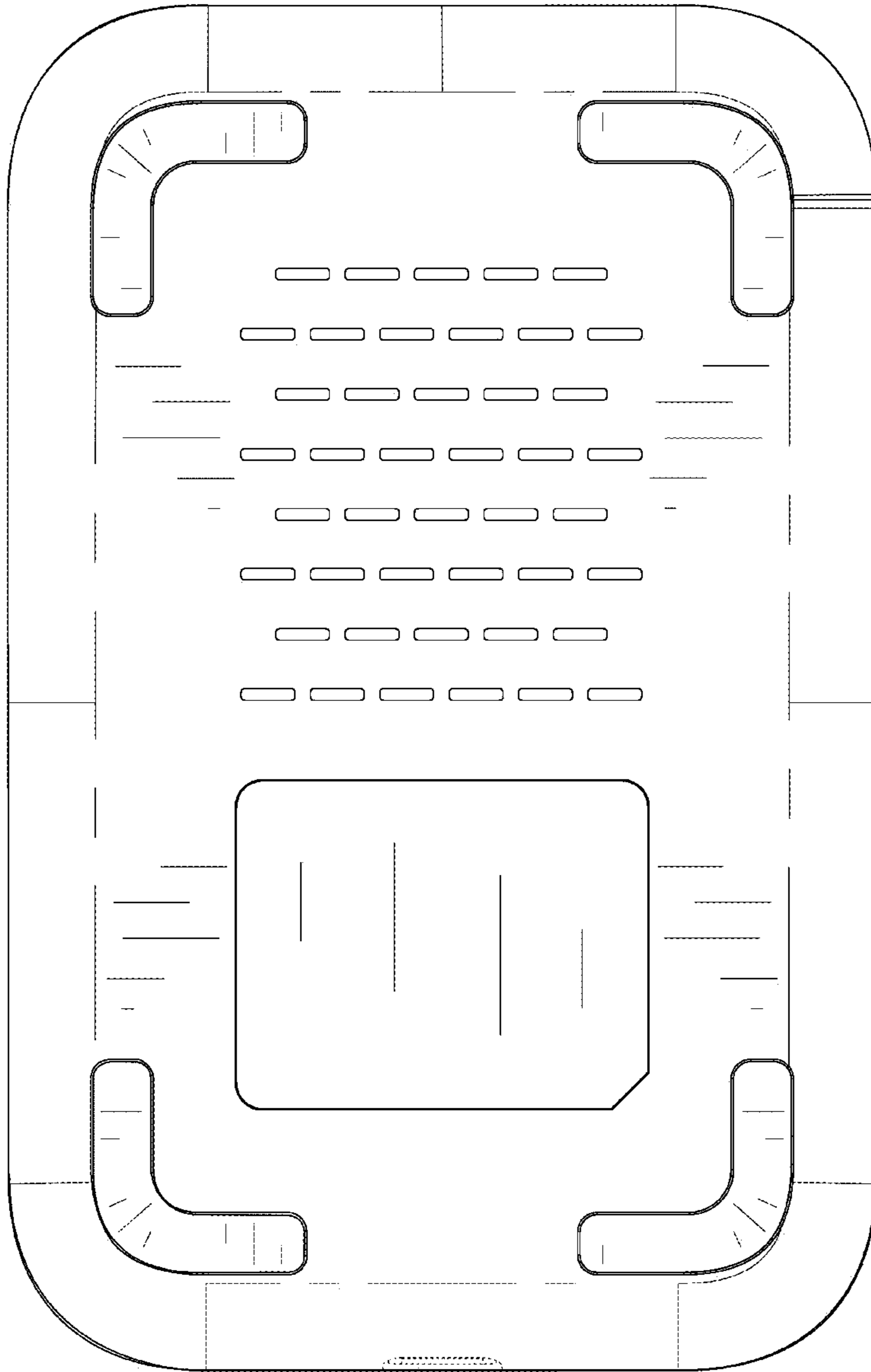


FIG.8