



US00D988993S

(12) **United States Design Patent** (10) **Patent No.:** **US D988,993 S**
Liao (45) **Date of Patent:** **** Jun. 13, 2023**

(54) **WIRELESS PORTABLE POWER SOURCE**

FOREIGN PATENT DOCUMENTS

(71) Applicant: **Qianhai Junda (Shenzhen) Equity Investment Co., Ltd**, Shenzhen (CN)

GB 6193142 * 2/2022

(72) Inventor: **Zhuowen Liao**, Shenzhen (CN)

OTHER PUBLICATIONS

(73) Assignee: **Qianhai Junda (Shenzhen) Equity Investment Co., Ltd**, Shenzhen (CN)

IeQuiven US—Amazon, Announced on Mar. 2, 2021 [online], retrieved on Feb. 10, 2023, retrieved from internet, <https://www.amazon.com/Magnetic-Wireless-Charging-Nightstand-Compatible/dp/B08XVVVHLQ?th=1> (Year: 2021).*

(**) Term: **15 Years**

Zechin—Amazon, Announced on Dec. 20, 2021 [online], retrieved on Feb. 10, 2023, retrieved from internet, <https://www.amazon.com/dp/B0BF976YCY> (Year: 2021).*

(21) Appl. No.: **29/800,150**

(Continued)

(22) Filed: **Jul. 19, 2021**

Primary Examiner — Barbara Fox
Assistant Examiner — Noah Perez

(30) **Foreign Application Priority Data**

Feb. 23, 2021 (CN) 202130102326.6

(51) **LOC (14) Cl.** **13-02**

(52) **U.S. Cl.**
USPC **D13/108**

(58) **Field of Classification Search**
USPC D13/103, 107, 108, 118, 119, 183;
D14/240, 251, 253, 356, 358, 432, 433,
D14/434, 447
CPC H02J 15/00; H02J 7/0044; H02J 7/0049;
H04B 1/3877; H04M 1/026
See application file for complete search history.

(57) **CLAIM**

The ornamental design for a wireless portable power source, as shown and described.

DESCRIPTION

FIG. 1 is a top, front and right perspective view of a wireless portable power source showing my new design;
FIG. 2 is a top, left and rear perspective view thereof;
FIG. 3 is a right, rear and bottom perspective view thereof;
FIG. 4 is a perspective view thereof in a collapsed position;
FIG. 5 is a front view of the wireless portable power source as shown in FIG. 1;
FIG. 6 is a rear view thereof;
FIG. 7 is a left side view thereof;
FIG. 8 is a right side view thereof;
FIG. 9 is a top plan view thereof; and,
FIG. 10 is a bottom plan view thereof.

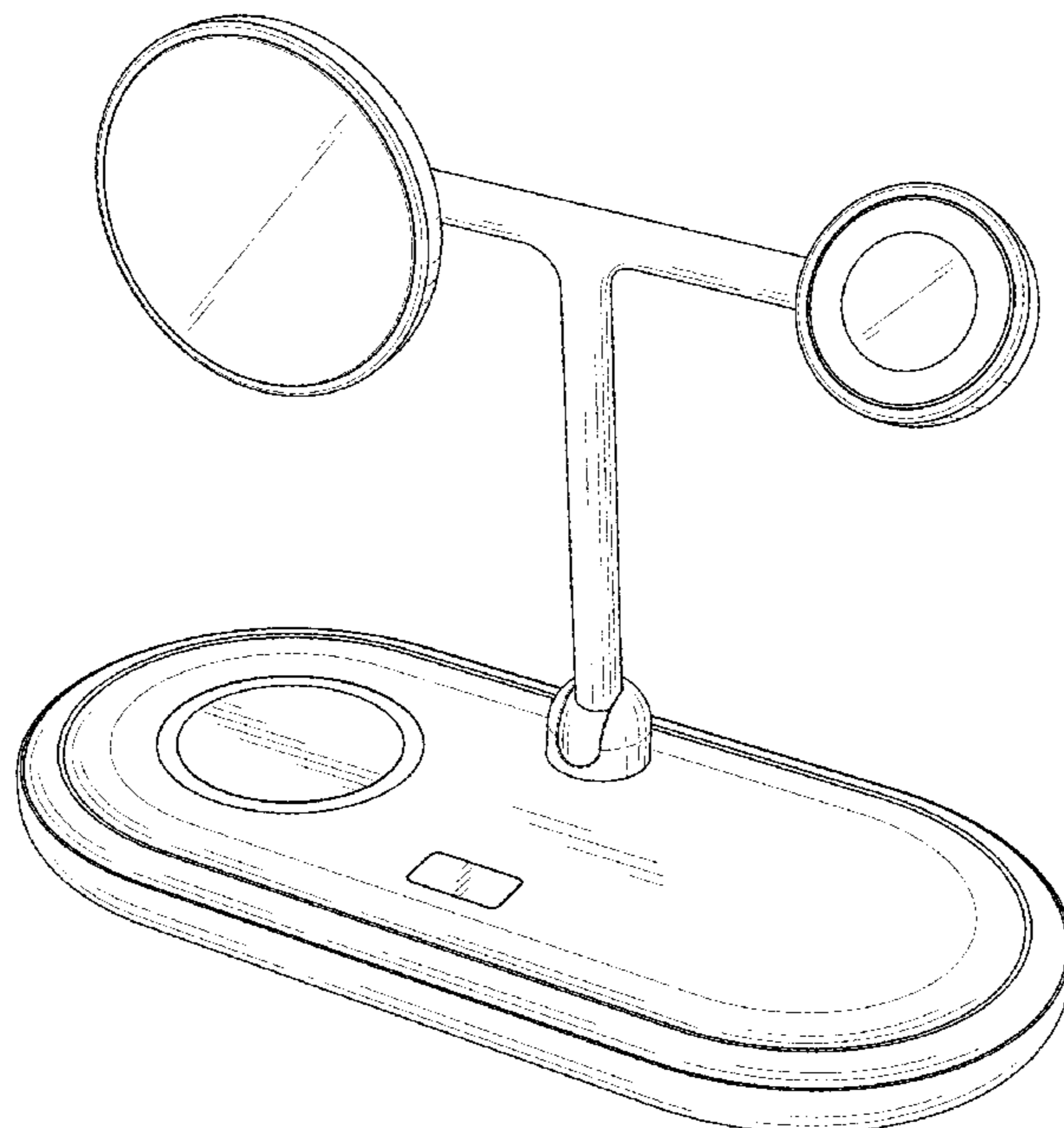
The broken lines in the figures illustrate portions of the wireless portable power source that form no part of the claimed design.

(56) **References Cited**

U.S. PATENT DOCUMENTS

D942,389 S * 2/2022 Sun D14/447
D951,864 S * 5/2022 Chen D13/108
D955,331 S * 6/2022 Wang D13/108
D960,095 S * 8/2022 Chen D13/108
D967,020 S * 10/2022 Wu D13/108
D975,636 S * 1/2023 Zhao D13/108

1 Claim, 10 Drawing Sheets



(56)

References Cited

OTHER PUBLICATIONS

Saiski—Amazon, Announced on Oct. 19, 2021 [online], retrieved on Feb. 10, 2023, retrieved from internet, <https://www.amazon.com/dp/B09JSSH3FM> (Year: 2021).*

Pauthos—Amazon, Announced on Oct. 12, 2021 [online], retrieved on Feb. 10, 2023, retrieved from internet, <https://www.amazon.com/Magnetic-Wireless-Compatible-Pauthos-Charging/dp/B09J8JF3YB> (Year: 2021).*

* cited by examiner

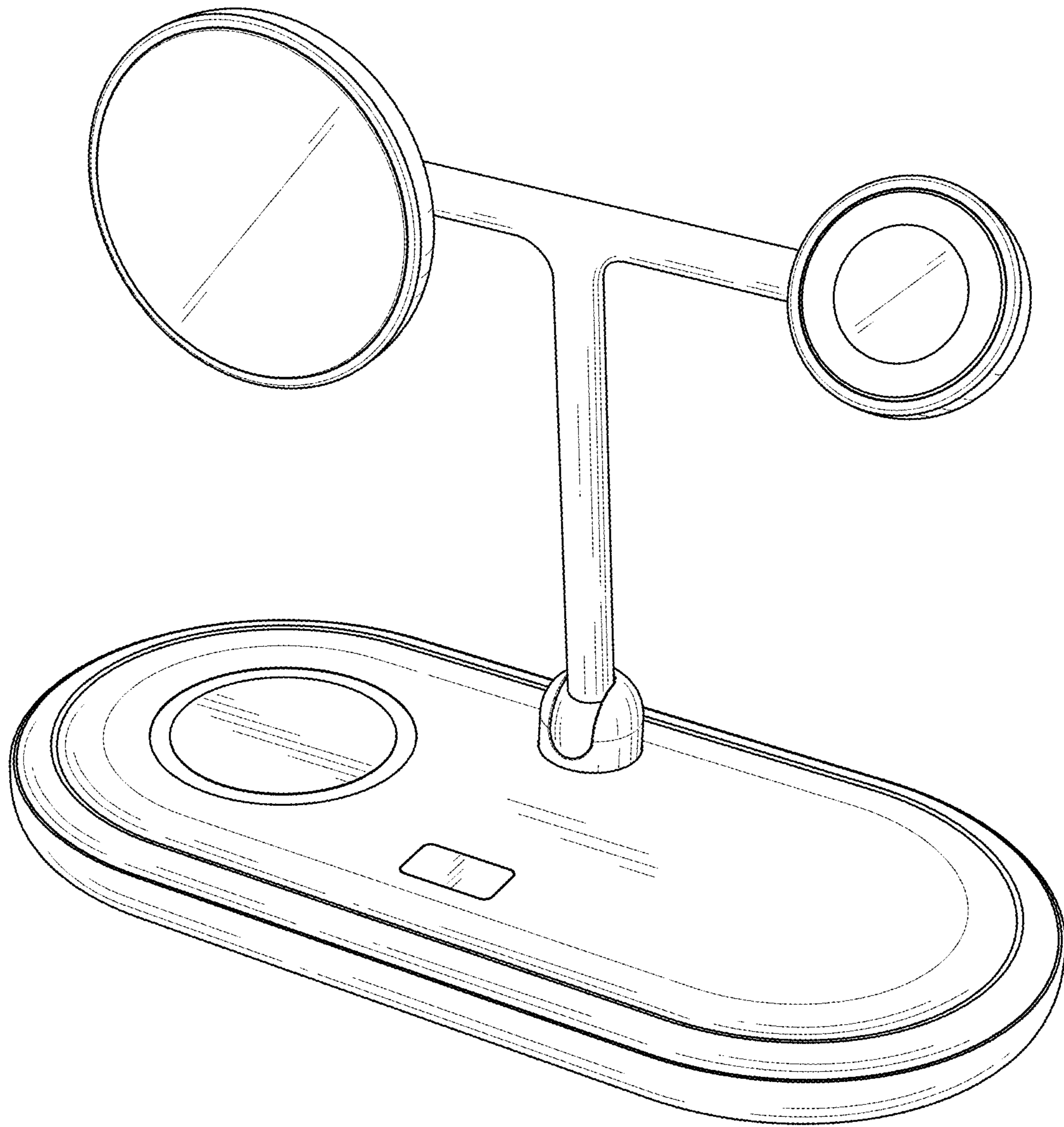


FIG. 1

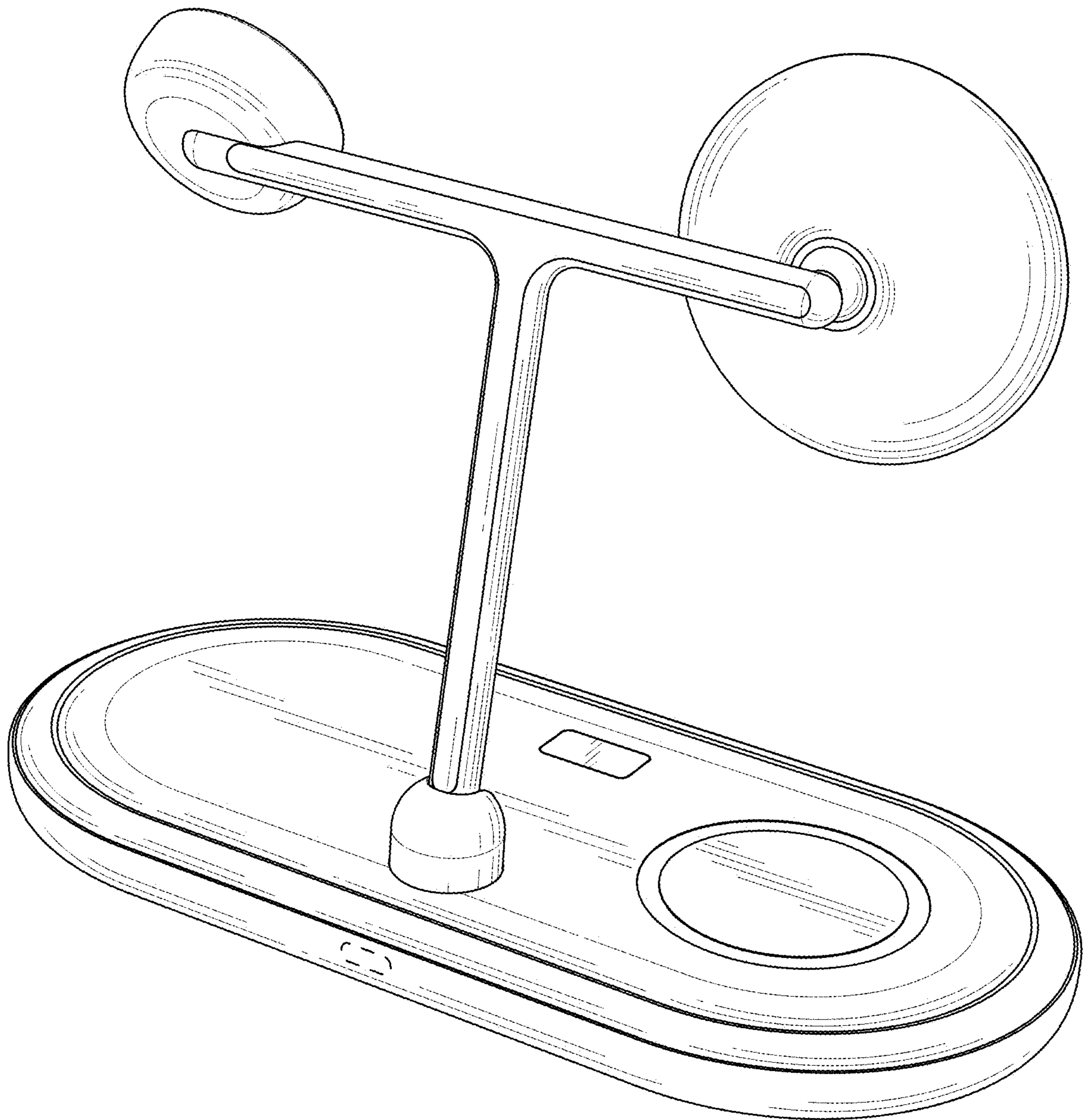


FIG. 2

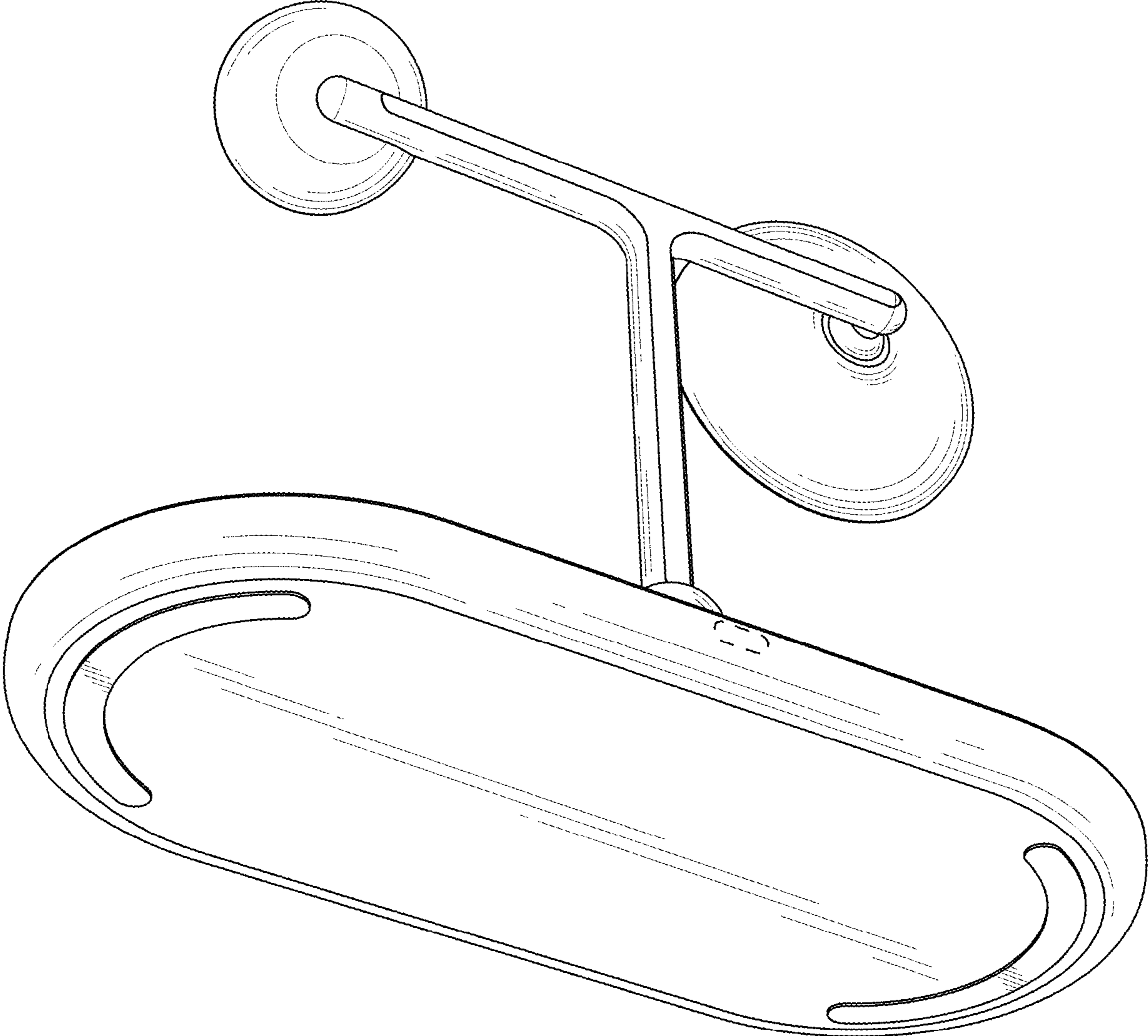


FIG. 3

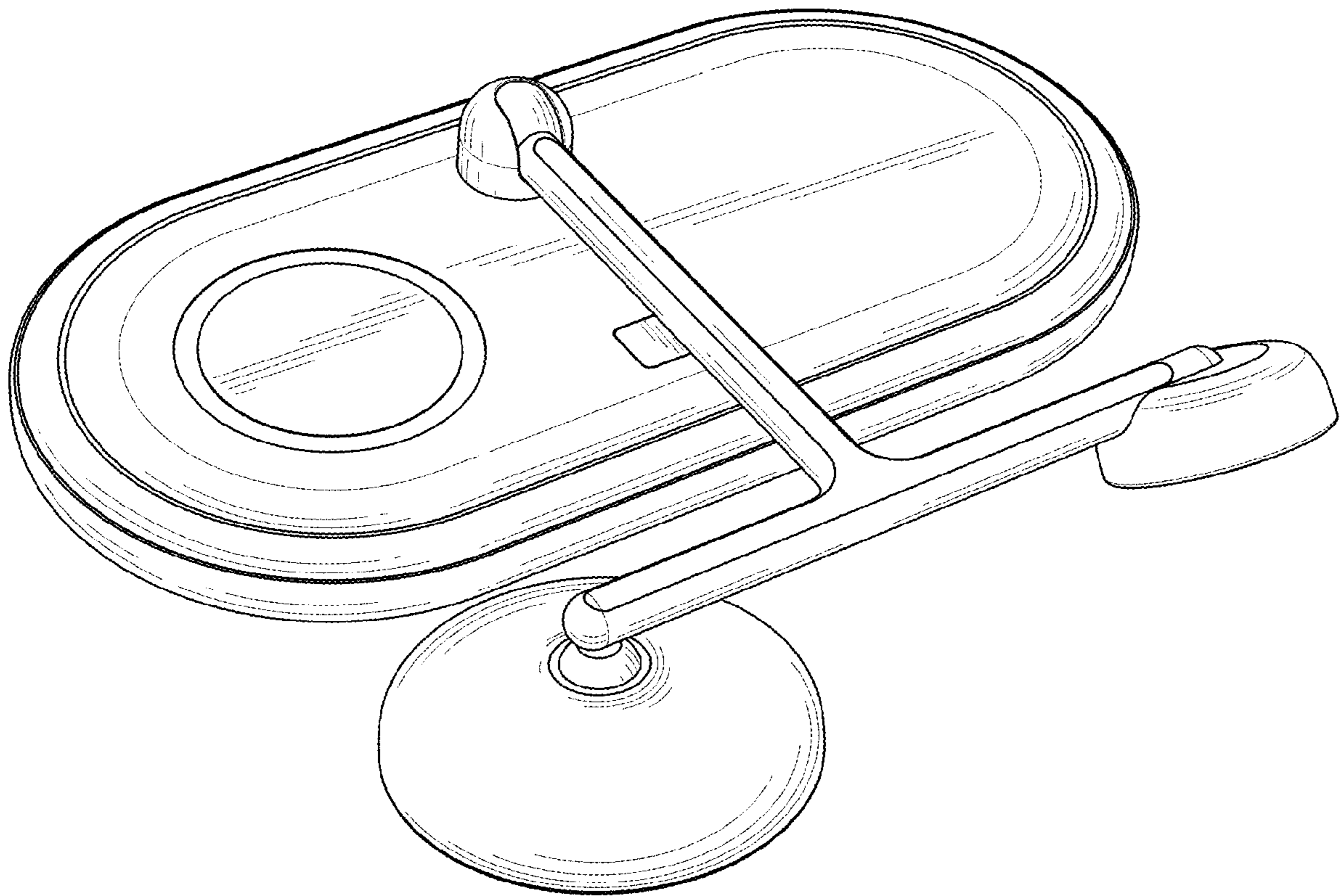


FIG. 4

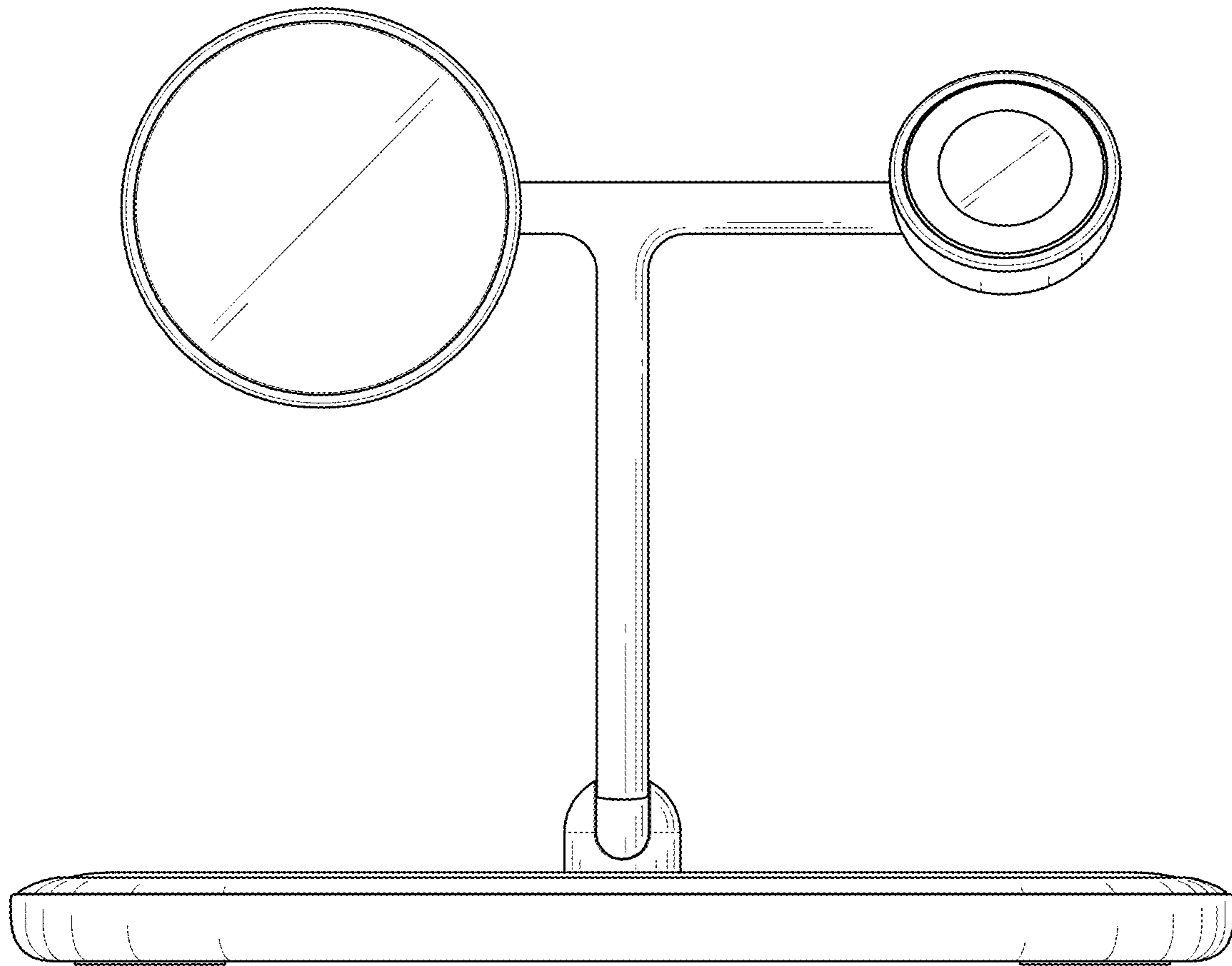


FIG. 5

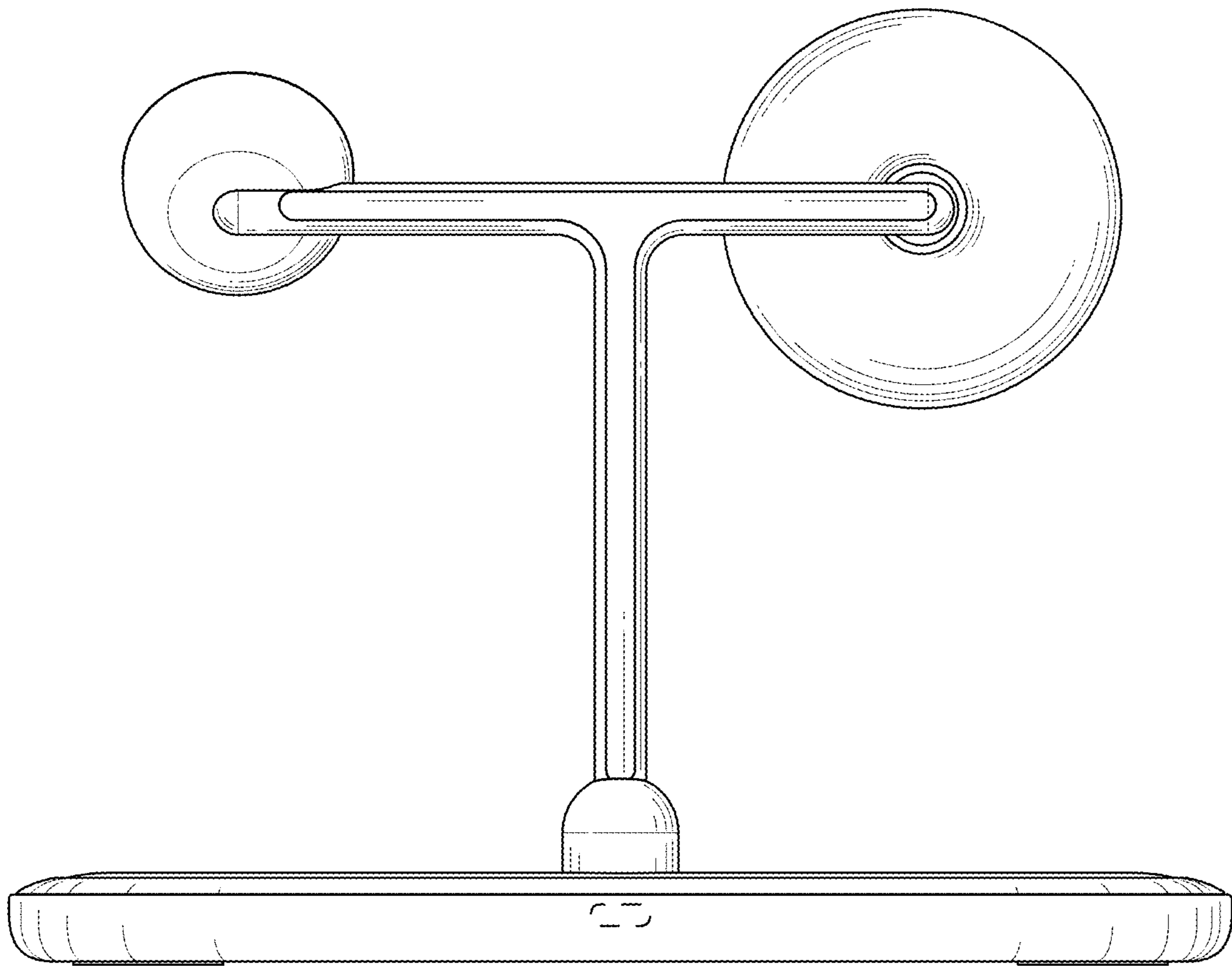


FIG. 6

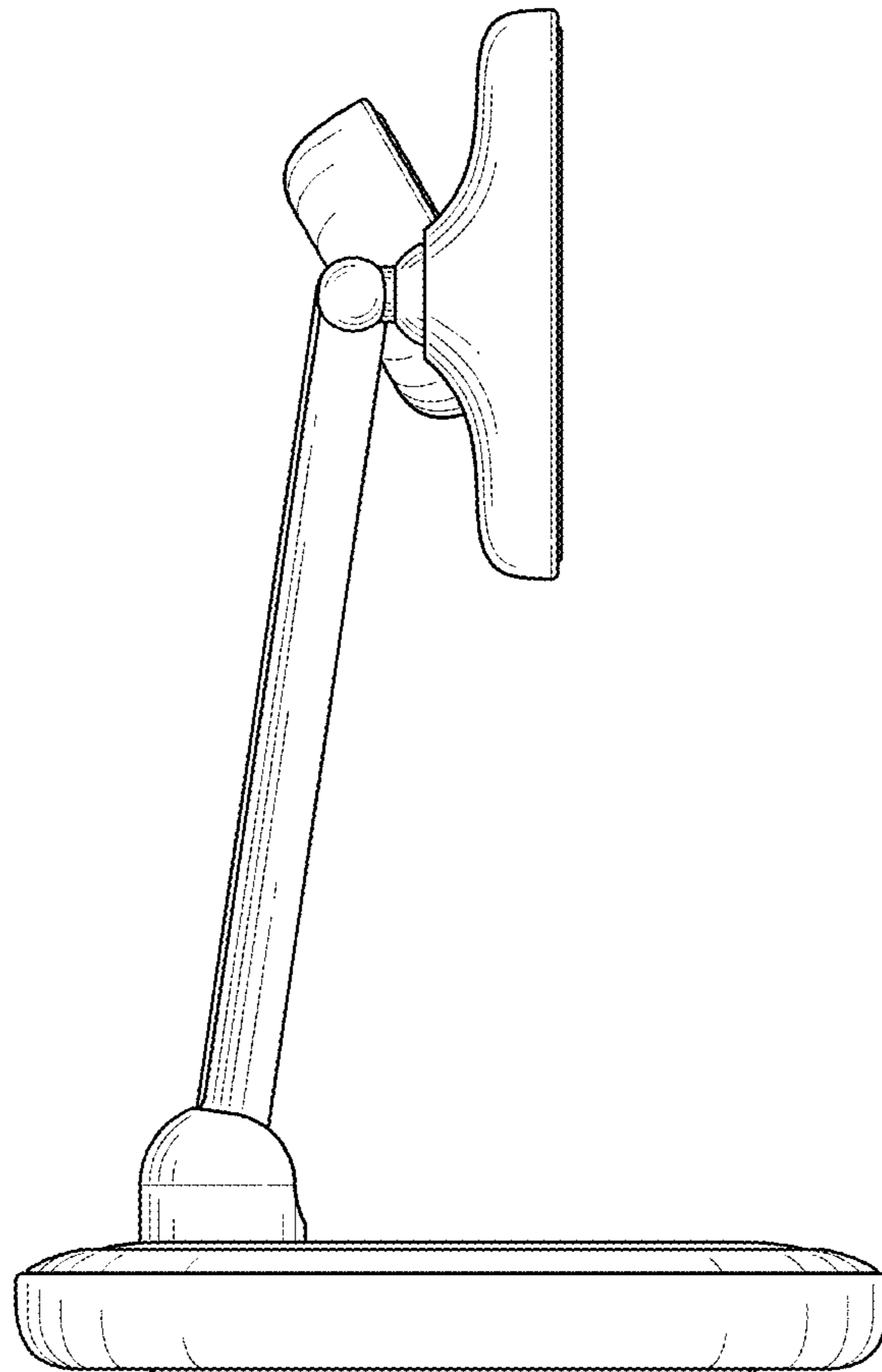


FIG. 7

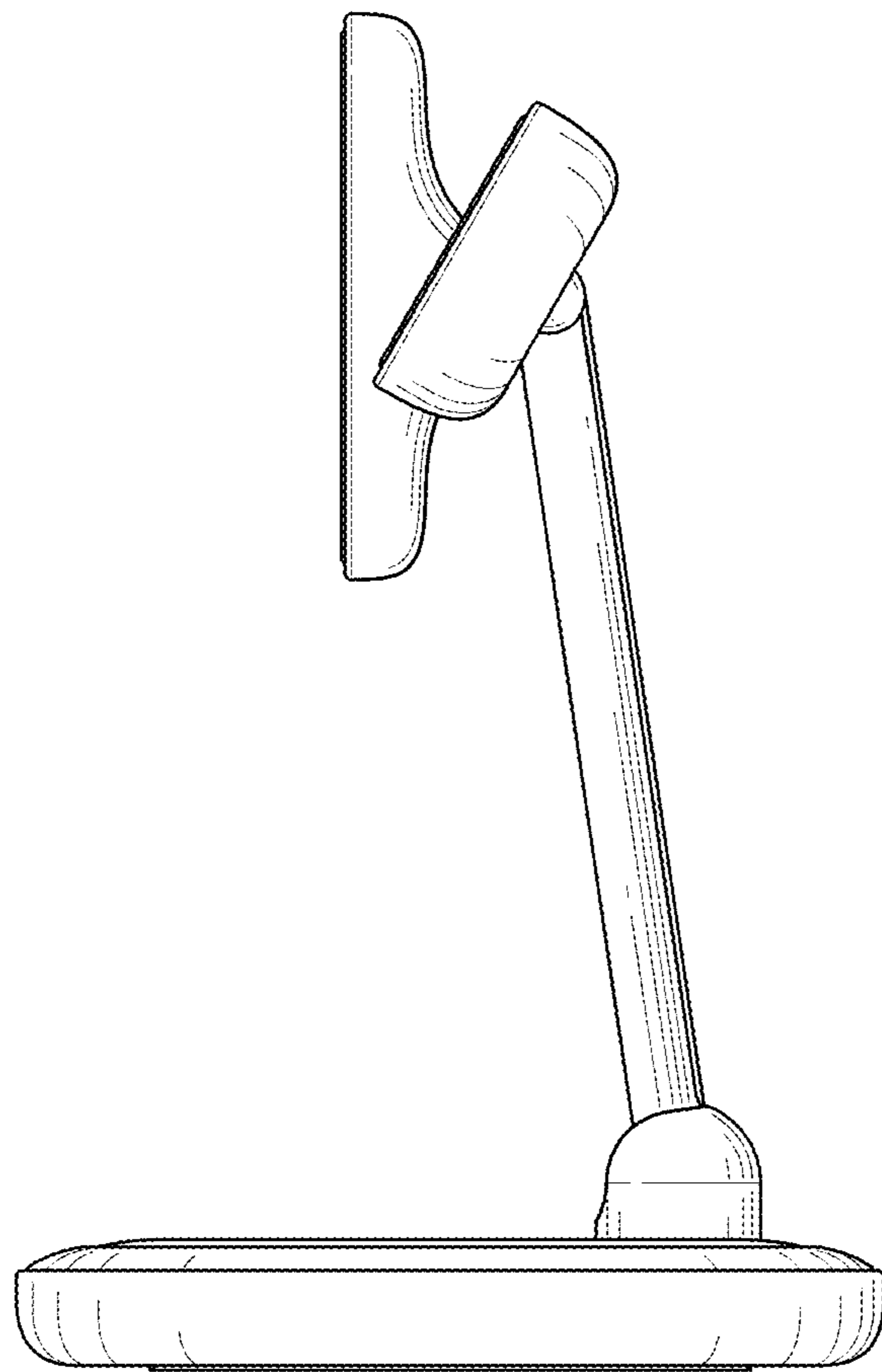


FIG. 8

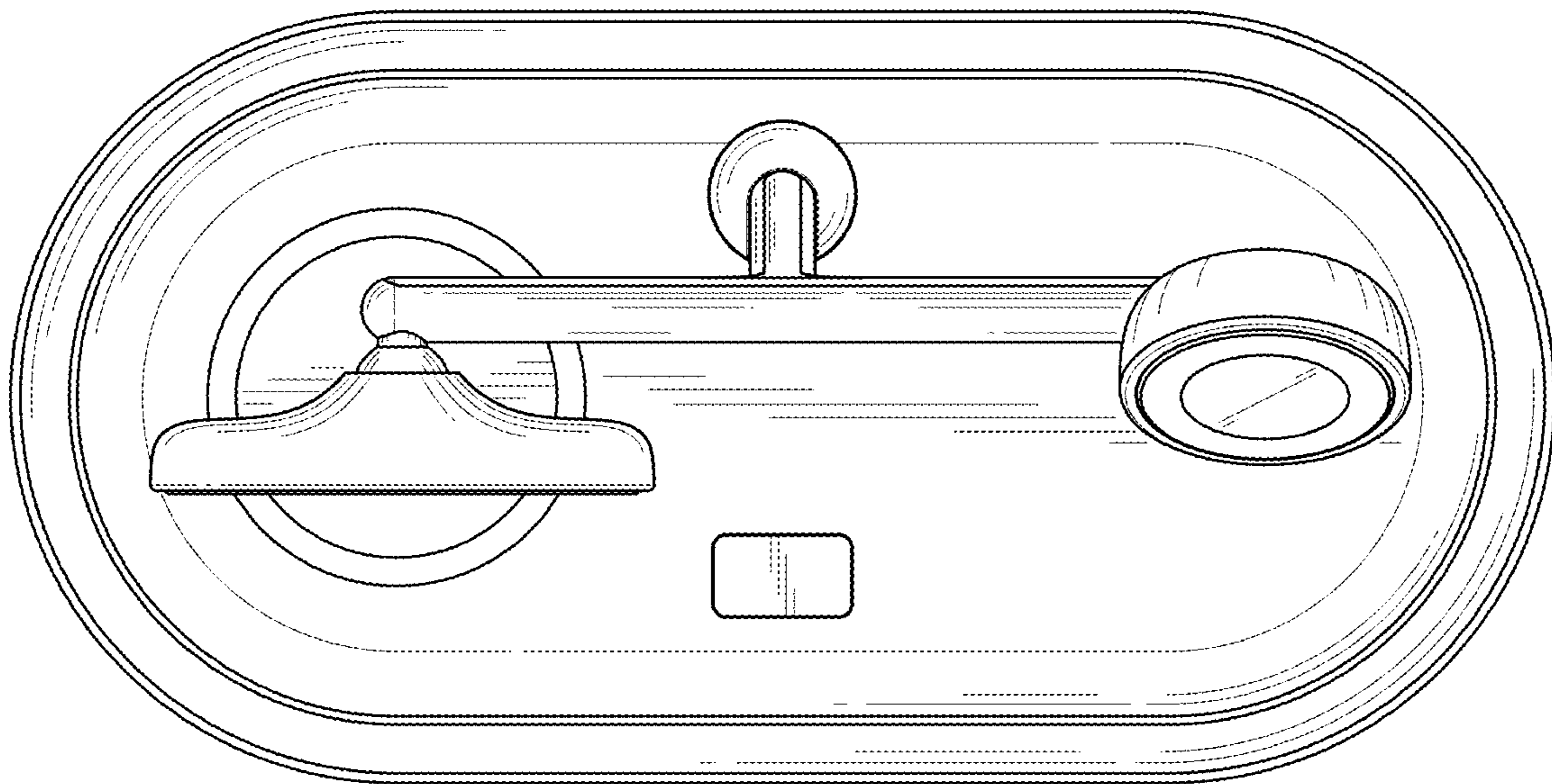


FIG. 9

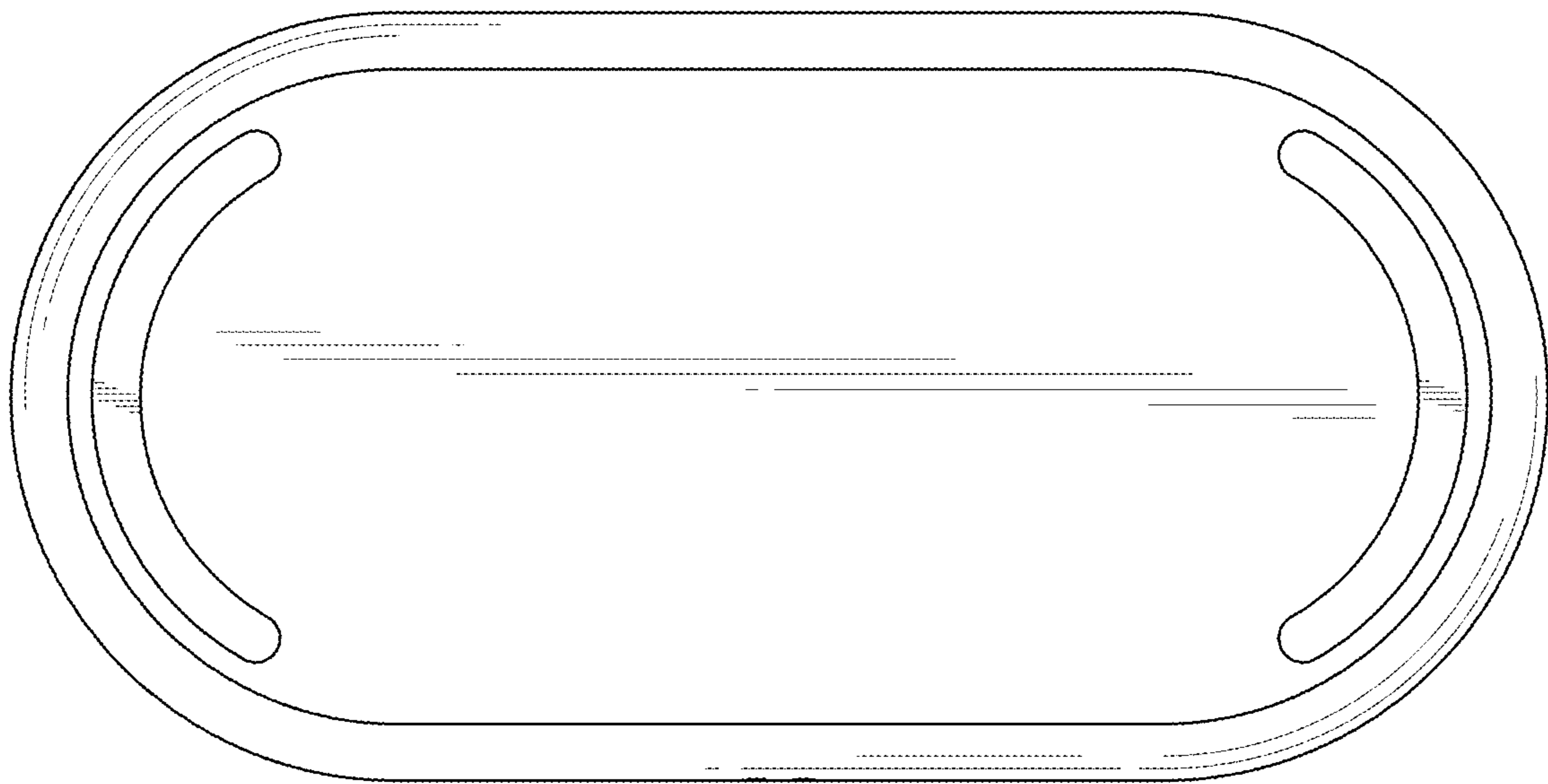


FIG. 10