



US00D988992S

(12) **United States Design Patent**
Moreira da Silva et al.

(10) **Patent No.:** **US D988,992 S**
(45) **Date of Patent:** **** Jun. 13, 2023**

(54) **CHARGER**

- (71) Applicant: **I-charging—mobilidade elétrica, SA,**
Oporto (PT)
- (72) Inventors: **Pedro Nuno Marcos Moreira da**
Silva, Oporto (PT); Germano Miguel
Oliveira da Silva, Valongo (PT);
Susana Marinho Ferreira Guedes,
Maia (PT); Filipe Alexandre Silva
Ferreira, Alvarelhos-Trofa (PT); Bruno
Filipe Alves de Oliveira, Cavaloes
(PT); Nelson Neves da Rocha, Maia
(PT)
- (73) Assignee: **I-CHARGING—MOBILIDADE**
ELÉTRICA, SA, Oporto (PT)
- (**) Term: **15 Years**
- (21) Appl. No.: **35/512,359**
- (22) Filed: **Feb. 11, 2021**

(80) **Hague Agreement Data**

Int. Filing Date: **Feb. 11, 2021**
 Int. Reg. No.: **DM/213423**
 Int. Reg. Date: **Feb. 11, 2021**
 Int. Reg. Pub. Date: **Aug. 13, 2021**

(51) **LOC (14) Cl.** **13-02**

(52) **U.S. Cl.**
USPC **D13/107**

(58) **Field of Classification Search**
 USPC D13/102–106, 110, 118–119, 184
 CPC Y02E 60/10; H01M 6/00; H01M 6/05;
 H01M 6/10; H01M 6/14; H01M 10/052;
 H01R 13/66; H02J 7/00; H02J 7/0003;
 H02J 7/0011; H02J 7/0013; H02J 7/0054;
 H02J 7/0055; H02J 7/0057

See application file for complete search history.

(56) **References Cited**

U.S. PATENT DOCUMENTS

D626,064	S	*	10/2010	Cutter	D13/107
D659,090	S	*	5/2012	deRoo	D13/107
D669,026	S	*	10/2012	Oda	D13/107
D676,376	S	*	2/2013	Yamada	D13/107
D720,285	S	*	12/2014	Gilomen	D13/107
D729,157	S	*	5/2015	Gilomen	D13/107
D729,158	S	*	5/2015	Gilomen	D13/107
D778,818	S	*	2/2017	Bruining	D13/107
D790,462	S	*	6/2017	Yanagimoto	D13/110
D797,658	S	*	9/2017	Feller	D13/102
D800,652	S	*	10/2017	Yang	D13/107
D833,388	S	*	11/2018	Baxter	D13/107
D838,668	S	*	1/2019	Westfall	D13/107
D842,239	S	*	3/2019	Bruining	D13/107
D868,687	S	*	12/2019	da Silva	D13/107
D889,397	S	*	7/2020	Bouman	D13/107
D892,725	S	*	8/2020	Baxter	D13/107
D914,593	S	*	3/2021	Frerichs	D13/110
D916,010	S	*	4/2021	Gerber	D13/107
D917,581	S	*	4/2021	Sivasankaran	D15/9.1
D922,942	S	*	6/2021	Hühne	D13/107
D922,943	S	*	6/2021	Reitenbach	D13/107

(Continued)

Primary Examiner — Christy Nemeth

(74) *Attorney, Agent, or Firm* — Lucas & Mercanti, LLP

(57) **CLAIM**

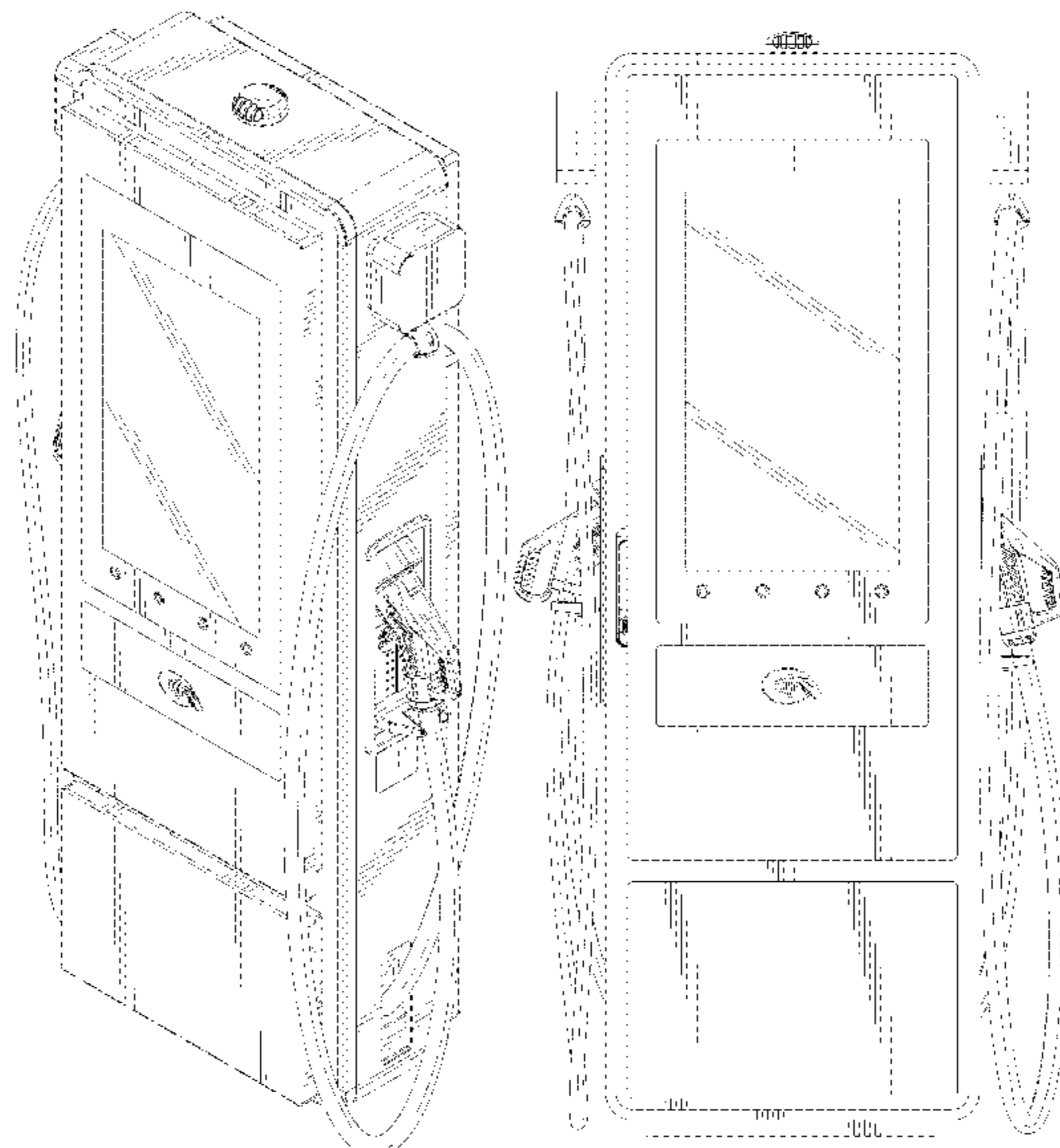
The ornamental design for a charger, as shown and described.

DESCRIPTION

- 1.1 : Front Perspective
- 1.2 : Front
- 1.3: Back
- 1.4: Top
- 1.5: Bottom
- 1.6: Left
- 1.7: Right

The broken lines in the drawings depict portions of the charger that form no part of the claimed design.

1 Claim, 5 Drawing Sheets



(56)

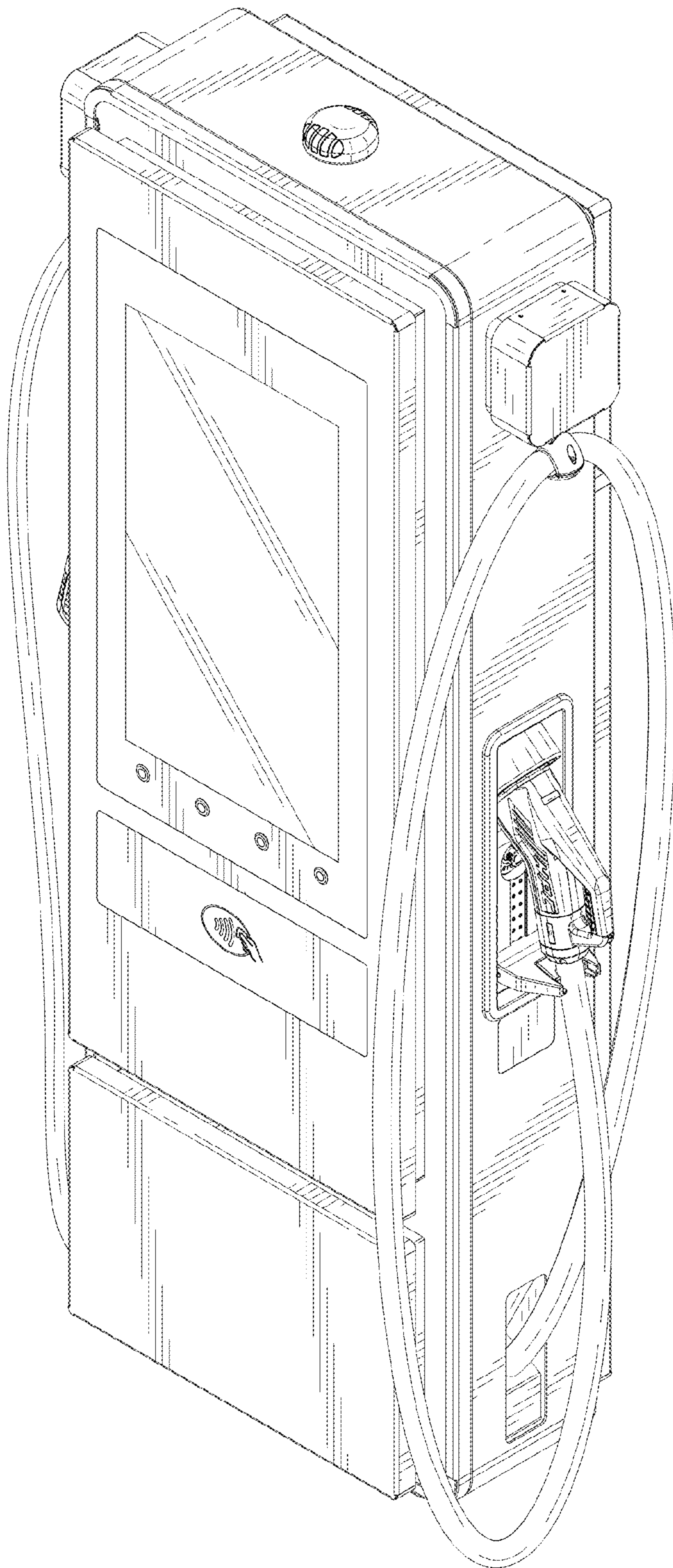
References Cited

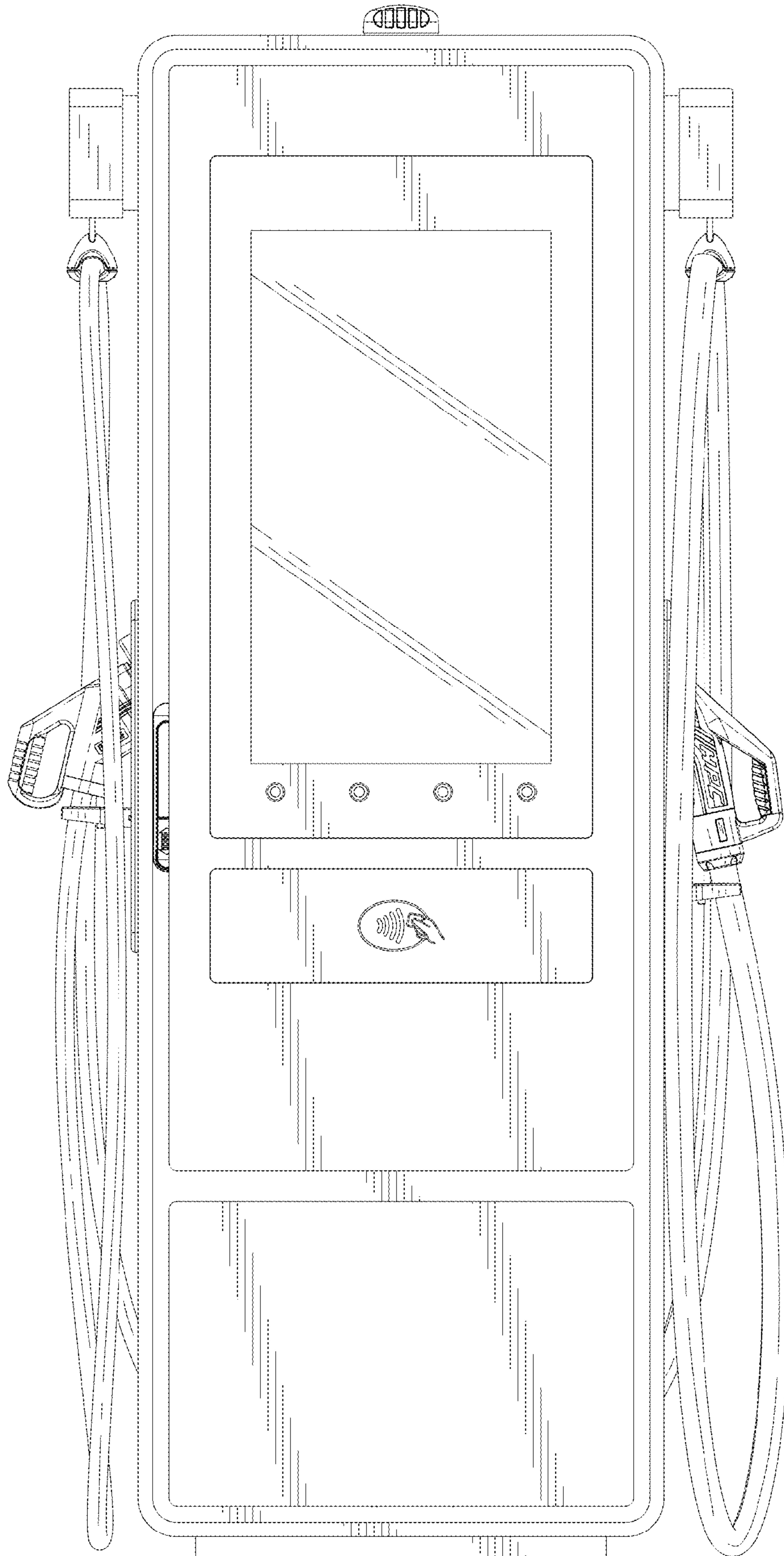
U.S. PATENT DOCUMENTS

D934,167 S *	10/2021	Van-Der-Veer	D13/107
D947,776 S *	4/2022	Semboloni	D13/108
D948,425 S *	4/2022	Emi	D13/107
D950,485 S *	5/2022	Mercer	D13/107
D961,502 S *	8/2022	Hwang	D13/107
D962,856 S *	9/2022	Mercer	D13/107
2015/0249353 A1 *	9/2015	Hamilton, IV	G07F 7/069 320/114

* cited by examiner

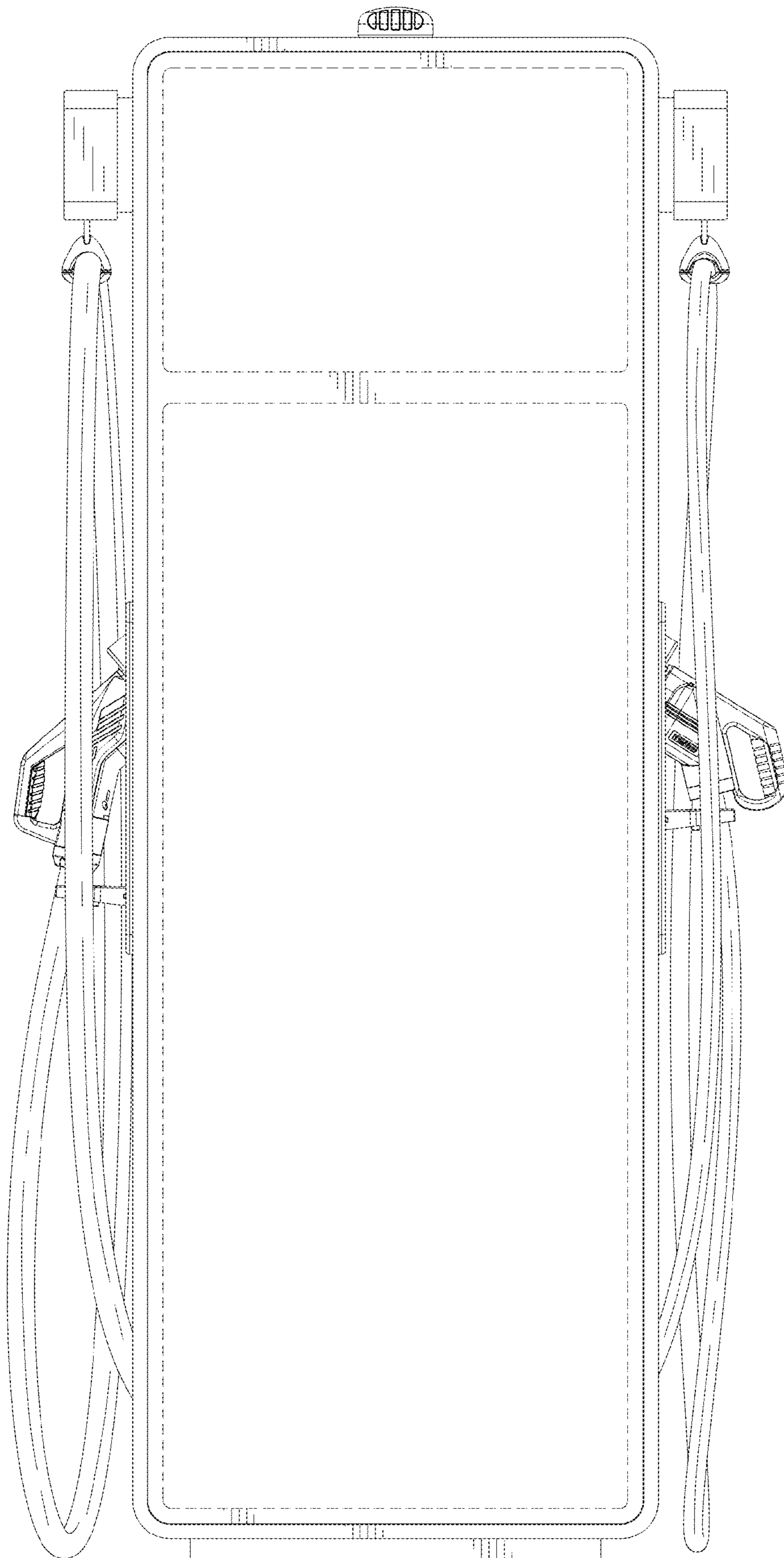
1.1

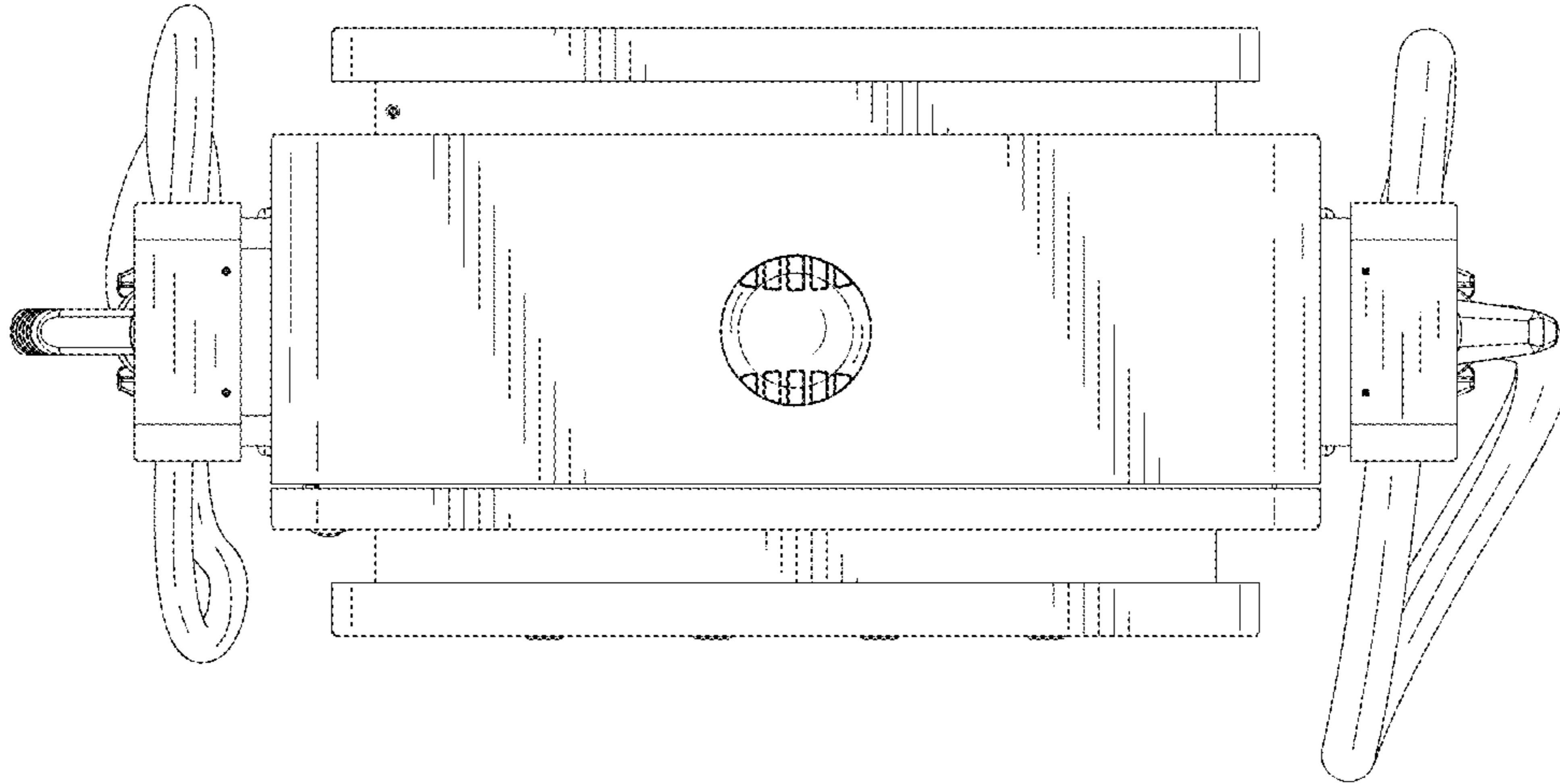




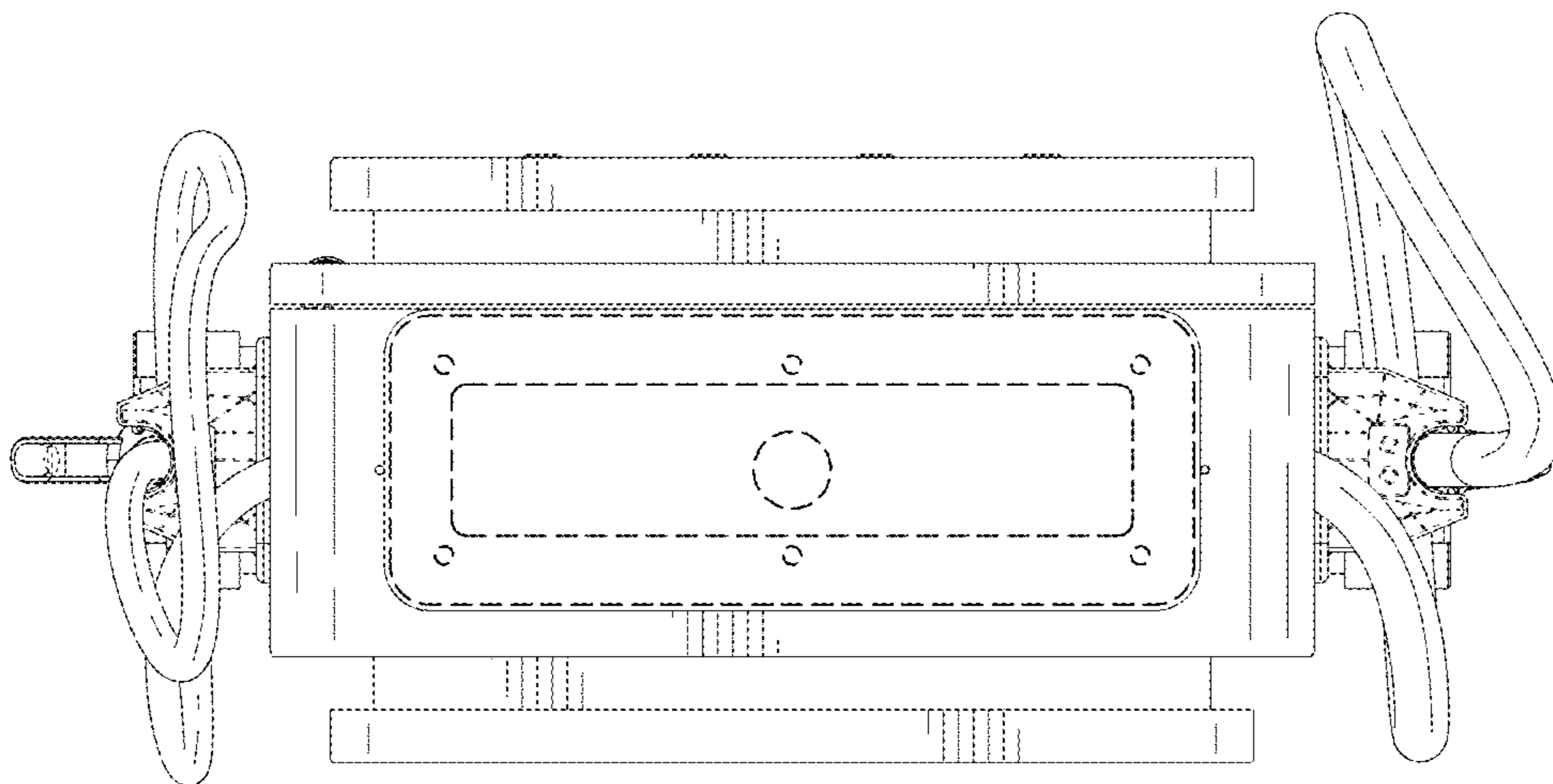
1.2

1.3



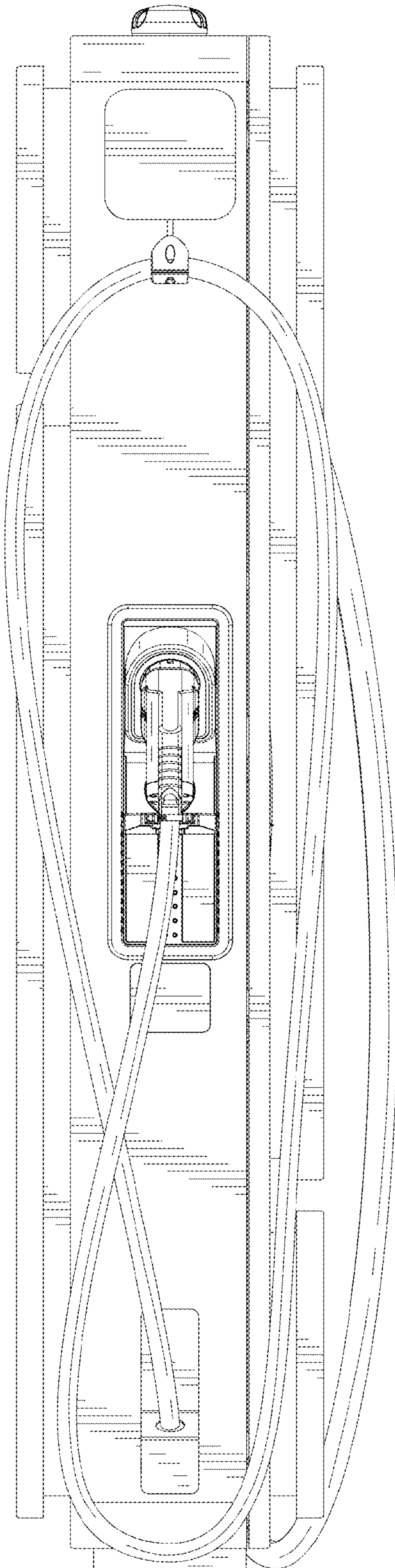


1.4



1.5

1.6



1.7

