



US00D988989S

(12) **United States Design Patent**
Underhill et al.

(10) **Patent No.:** **US D988,989 S**
(45) **Date of Patent:** **** Jun. 13, 2023**

(54) **BATTERY CHARGER**

(71) Applicant: **THE NOCO COMPANY**, Glenwillow, OH (US)

(72) Inventors: **Derek Michael Underhill**, Tempe, AZ (US); **Jonathan Lewis Nook**, Gates Mills, OH (US)

(73) Assignee: **The Noco Company**, Glenwillow, OH (US)

(**) Term: **15 Years**

(21) Appl. No.: **29/761,837**

(22) Filed: **Dec. 11, 2020**

(51) **LOC (14) Cl.** **13-02**

(52) **U.S. Cl.**
USPC **D13/107**

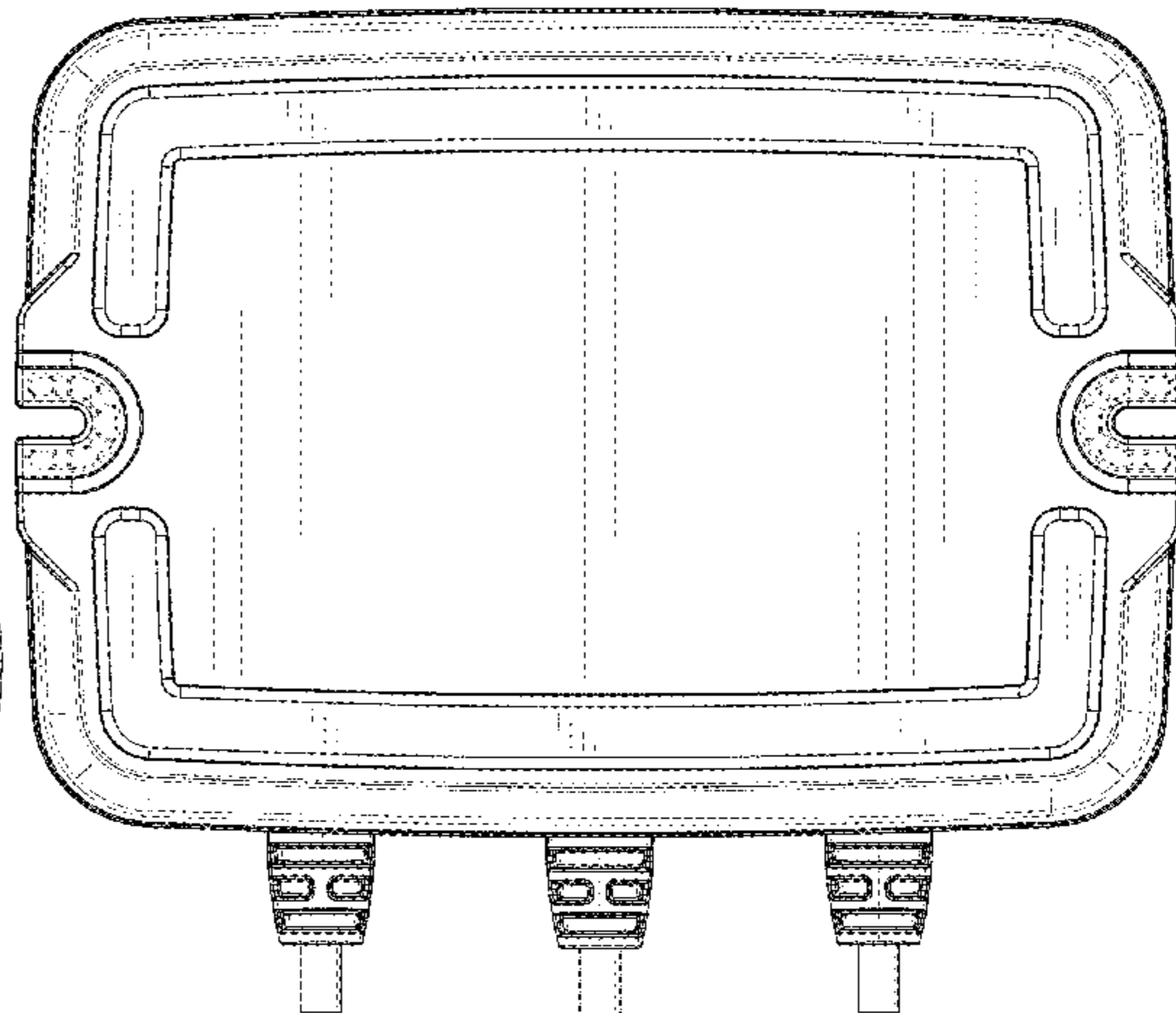
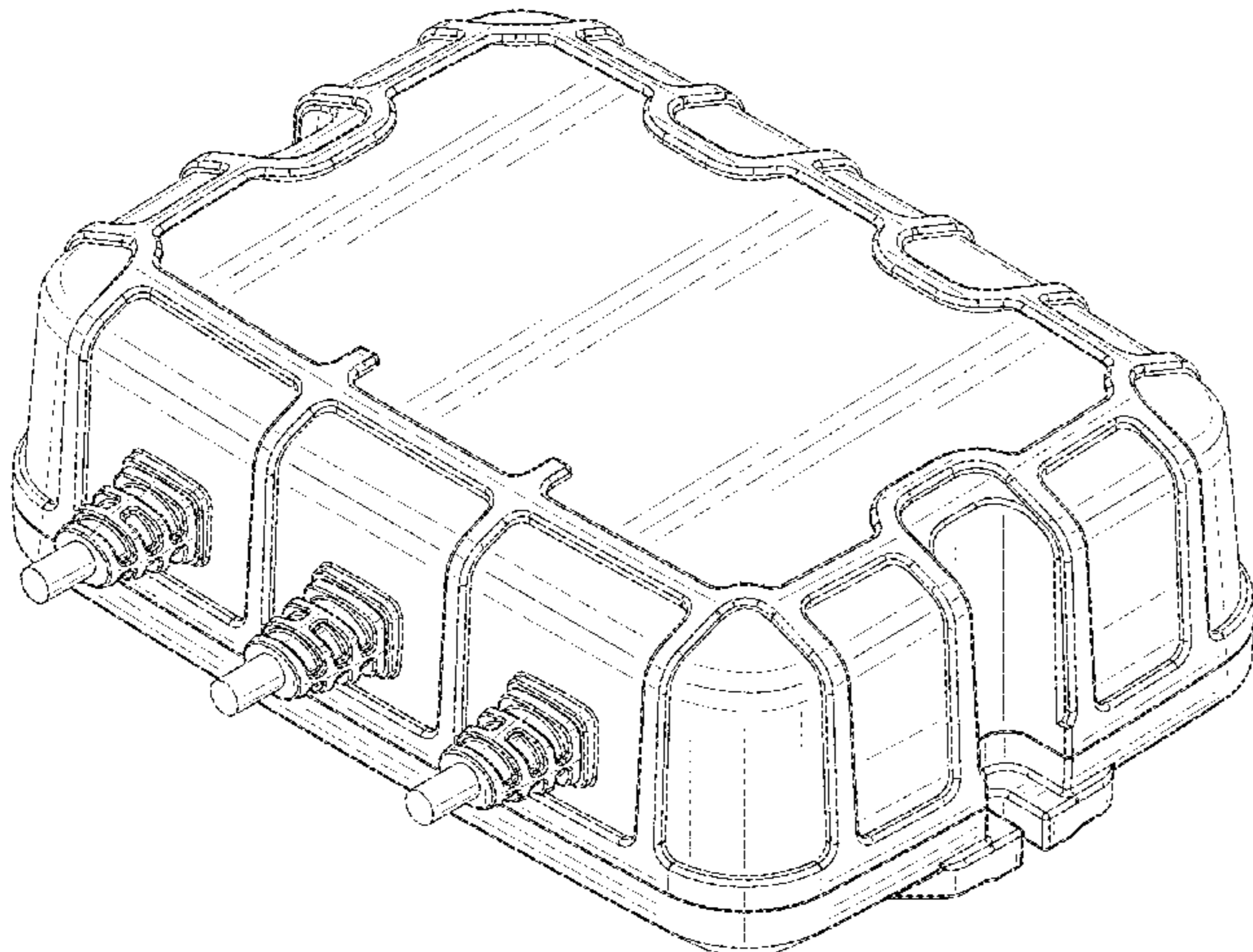
(58) **Field of Classification Search**
USPC D13/102-110, 118, 119, 153, 154, 184, D13/199, 120
CPC Y02E 60/10; Y02E 60/12; Y02E 60/122; Y02E 60/124; Y02E 60/50; H01M 2/02; H01M 2/022; H01M 2/0202; H01M 2/0207; H01M 2/0212; H01M 2/1061; H01M 2/1022; H01M 2/1055; H01M 2/1066; H01M 2/105; H01M 2/20; H01M 2/202; H01M 2/204; H01M 2/206; H01M 10/44; H01M 10/46; H01M 10/465; H01M 10/482; H01M 10/4257; H01M 10/0436; H01M 10/48; H01M 2200/30; H01M 2250/30; H01M 2250/40; H02J 7/00; H02J 7/0003; H02J 7/0011; H02J 7/0013; H02J 7/0054; H02J 7/0055; H02J 7/0057; H02J 7/0034; H02J 7/1423; Y02T 10/7005; Y02T 10/705; Y02T 10/7088; B60L 11/182

See application file for complete search history.

5,585,992 A	12/1996	Wu	
5,795,182 A	8/1998	Jacob	
5,820,407 A	10/1998	Morse	
5,833,493 A	11/1998	Hung	
5,847,541 A	12/1998	Hahn	
5,985,481 A	11/1999	Champagne	
6,002,235 A	12/1999	Clore	
6,386,907 B1	5/2002	Ruffa	
6,471,540 B1	10/2002	Fernandez	
D465,764 S	11/2002	Salazar	
D483,721 S	12/2003	Kim	
D485,810 S	1/2004	Fiocchi	
D511,743 S	11/2005	Hriscu	
D524,731 S	7/2006	Navarrez	
D570,772 S	6/2008	Mahaffey	
D575,225 S	8/2008	Ahlgren	
D580,853 S	11/2008	Ahlgren	
D597,029 S	7/2009	Li	
D624,014 S	9/2010	Lingott	
D634,313 S	3/2011	Fitzpatrick et al.	
D654,854 S	2/2012	Inskeep	
D654,855 S	2/2012	Inskeep	
D654,856 S	2/2012	Inskeep	
D654,867 S	2/2012	Huppe	
D661,249 S	6/2012	Smith	
D664,501 S	7/2012	Inskeep	
D681,550 S	5/2013	Corbin	
D684,116 S	6/2013	Inskeep	
D687,768 S	8/2013	Minamikawa	
D694,176 S	11/2013	Buetow et al.	
D694,180 S	* 11/2013	Inskeep	D13/107
D701,490 S	3/2014	Inskeep	
D711,821 S	8/2014	Wang	
D731,422 S	6/2015	Aromin	
D738,825 S	9/2015	Nook	
D742,822 S	11/2015	Ju	
D744,942 S	12/2015	Bates	
D745,455 S	* 12/2015	Nook	D13/103
D746,770 S	* 1/2016	Nook	D13/103
D746,774 S	1/2016	Nook	
D755,121 S	5/2016	Barajas	
D757,650 S	5/2016	Faust	
D758,302 S	6/2016	Walker	
D758,960 S	6/2016	Johansson	
D760,164 S	6/2016	Aida	
D769,188 S	10/2016	Miller	
D775,587 S	1/2017	Barajas	
D785,563 S	5/2017	Yang	
D786,192 S	* 5/2017	Liu	D13/107
D786,790 S	5/2017	Miller	
D787,443 S	5/2017	Chiang	
D793,955 S	* 8/2017	Yang	D13/107
D797,044 S	9/2017	Miller	

(56) **References Cited**
U.S. PATENT DOCUMENTS

4,057,313 A	11/1977	Polizzano
D307,579 S	5/1990	Layne
5,019,767 A	5/1991	Shirai et al.
D336,281 S	6/1993	Nakamura



D803,151 S 11/2017 Zhou
 D808,653 S * 1/2018 Rayeski D3/273
 D809,454 S 2/2018 Zhou
 D813,162 S 3/2018 Krantz
 D814,406 S * 4/2018 Yang D13/107
 D816,024 S * 4/2018 Yang D13/107
 D821,306 S 6/2018 Liu
 D828,295 S 9/2018 Li
 D829,647 S 10/2018 Yang
 D832,207 S 10/2018 Gorin
 D832,781 S * 11/2018 Nook D13/107
 D836,064 S 12/2018 Liu
 D836,067 S 12/2018 Tschopp
 D836,068 S * 12/2018 Nook D13/120
 D838,669 S 1/2019 Miller
 D840,927 S 2/2019 Inskeep
 D842,238 S 3/2019 Qiu
 D845,230 S * 4/2019 Nook D13/107
 D845,892 S 4/2019 Shum
 D860,177 S * 9/2019 Robins D14/240
 D861,597 S 10/2019 Gan
 D866,457 S 11/2019 Liu
 D866,463 S 11/2019 Hui
 D867,985 S * 11/2019 Nook D13/107
 D870,035 S 12/2019 Yang
 D871,322 S * 12/2019 Nook D13/107
 D872,011 S 1/2020 Rao
 D872,012 S 1/2020 Rao
 D881,813 S * 4/2020 Nook D13/120
 D883,925 S 5/2020 Yoon
 D884,605 S 5/2020 Sun
 D884,608 S 5/2020 Gan
 D885,329 S 5/2020 Gan
 D892,726 S 8/2020 Wang
 D892,727 S 8/2020 Gan
 D896,749 S * 9/2020 Wu D13/107
 D902,851 S 11/2020 Wu
 D903,588 S 12/2020 Shoemake
 D911,286 S 2/2021 Esses
 D911,936 S 3/2021 Miller
 D911,949 S 3/2021 Sun
 D911,950 S 3/2021 Zhang
 D913,917 S 3/2021 Finocchiaro
 D913,931 S * 3/2021 Nook D13/120
 D916,012 S * 4/2021 Finocchiaro D13/107
 D916,015 S 4/2021 Li
 D918,830 S 5/2021 Chen
 D919,572 S * 5/2021 Lei D13/110
 D922,945 S 6/2021 Sun
 D923,564 S 6/2021 Liao
 D924,132 S 7/2021 Turksu
 D926,123 S * 7/2021 Zhu D13/107
 D926,124 S * 7/2021 Zhu D13/107
 D930,578 S 9/2021 Zheng
 D934,793 S * 11/2021 Shu D13/107
 D937,197 S 11/2021 Hao
 D937,762 S 12/2021 Chung
 D937,763 S * 12/2021 Wang D13/107
 D939,435 S 12/2021 Feng
 D942,931 S * 2/2022 Fang D13/110
 D943,516 S * 2/2022 Wang D13/107
 D944,191 S * 2/2022 Wang D13/107
 D960,090 S * 8/2022 Underhill D13/107
 D967,013 S * 10/2022 Underhill D13/107
 2006/0201558 A1 9/2006 Marty et al.
 2008/0213653 A1 9/2008 Marukawa et al.
 2009/0237031 A1 9/2009 McSweyn
 2011/0116861 A1 5/2011 Zhang et al.
 2011/0230081 A1 9/2011 Rinehardt
 2013/0164600 A1 6/2013 Roskamp et al.
 2014/0184898 A1 7/2014 Overliese et al.
 2015/0054336 A1 2/2015 Xinfang
 2015/0099151 A1 4/2015 Lavender
 2016/0072323 A1 3/2016 Miller
 2016/0359352 A1 12/2016 Chiu
 2017/0012448 A1 1/2017 Miller
 2017/0346140 A1 11/2017 Koebler
 2018/0269703 A1 * 9/2018 Nook F02N 11/12
 2018/0342891 A1 * 11/2018 Nook H01R 11/24

2019/0222042 A1 * 7/2019 Nook H02J 7/0034
 2020/0227937 A1 7/2020 Lu
 2021/0075235 A1 * 3/2021 Nook H01M 10/4207
 2021/0094428 A1 * 4/2021 Nook H02J 7/0047
 2021/0296913 A1 * 9/2021 Nook H02J 7/0045

OTHER PUBLICATIONS

U.S. Trademark U.S. Appl. No. 86/030,590, filed Aug. 6, 2013, including drawing and sample.
 “Amazon Basics Battery Charger” Found online Mar. 8, 2022 at amazon.com. Reference dated Jan. 18, 2020. Retrieved from https://www.amazon.com/AmazonBasics-Battery-Charger-Volt-800mA/dp/B07TTNV9LZ/ref=psdc_15707061_t1_B00DJ5KEEA?th=1 (Year: 2020).
 “Battery Tender Plus Battery Charger” Found online Mar. 8, 2022 at amazon.com. Reference dated Jan. 20, 2007. Retrieved from https://www.amazon.com/dp/B00DJ5KEEA/ref=sspa_dk_detail_8 (Year: 2007).
 “BEATIT Jump Starter” Found online May 20, 2021 at amazon.com. Reference dated Dec. 24, 2018. Retrieved from https://www.amazon.com/BEATIT-21000mAh-Portable-Inverter-BP101/dp/B07M9M86JM/ref=psdc_318336011_t5_B084BWGWYHY (Year: 2018).
 “Durst Battery Charger” Found online Apr. 4, 2022 at durst.com.au. Reference dated Mar. 9, 2010. Retrieved from https://tineye.com/search/1ec8ff6116e1710356e88efed9dfccdccebd769?sort=crawl_date&order=asc&page=1 (Year: 2010).
 “MOTOPOWER Battery Charger” Found online Mar. 8, 2022 at amazon.com. Reference dated Dec. 2, 2017. Retrieved from https://www.amazon.com/MOTORPOWER-MP00205A-Automatic-Battery-Maintainer/dp/B06XWDZ2KQ/ref=pd_day0fbt_img_2/133-1437029-9147658 (Year: 2017).
 “NOCO Boost Max GB251” Found online Mar. 16, 2022 at amazon.com. Reference dated Jan. 27, 2021. Retrieved from <https://www.amazon.com/NOCO-GB251-Ultrasafe-Commercial-32-Liters/dp/B08V738Z42> Year: (2021).
 “NOCO Boost GB70 Jump Starter” Found online Mar. 8, 2022 at amazon.com. Reference dated Jan. 1, 2010. Retrieved from https://www.amazon.com/dp/B016UG6PWE/ref=emc_p_m_5_i (Year: 2010).
 “NOCO Genius G750 Battery Charger” Found online Mar. 8, 2022 at youtube.com. Reference dated Jul. 10, 2015. Retrieved from <https://www.youtube.com/watch?v=LnBf30-51yU> (Year: 2015).
 “NOCO Boost Pro GB150 Jump Starter” Found online Mar. 8, 2022 at amazon.com. Reference dated Sep. 1, 2015. Retrieved from https://www.amazon.com/dp/B015TKSSB8?ref=emc_p_m_5_i (Year: 2015).
 “NOCO GBX55 Jump Starter” Found online Mar. 18, 2022 at amazon.com. Reference dated Feb. 22, 2021. Retrieved from <https://www.amazon.com.au/NOCO-GBX55-Ultrasafe-Powerbank-7-5-Liter/dp/B08WZKRHZZ> (Year: 2021).
 “NOCO Boost XL GB50 Jump Starter” Found online Mar. 17, 2022 at amazon.com. Reference dated Jan. 16, 2019. Retrieved from <https://www.amazon.com/NOCO-GB50-Ultrasafe-Lithium-Gasoline/dp/B07MVY7K43> (Year: 2019).
 “NOCO Genius 2x4 Charger” Found online Apr. 1, 2022 at amazon.com. Reference dated Aug. 15, 2020. Retrieved from <https://www.amazon.com/dp/B08FYS6CL8> (Year: 2020).
 “NOCO Genius 2x2 Charger” Found online Mar. 8, 2022 at amazon.com. Reference dated Jul. 31, 2020. Retrieved from https://www.amazon.com/dp/B08F37P7H3?ref=emc_p_m_5_i (Year: 2020).
 “Noco Genius 10 Charger” Found online Mar. 8, 2022 at amazon.com. Reference dated Nov. 18, 2019. Retrieved from https://www.amazon.com.au/NOCO-GENIUS10-Fully-Automatic-Temperature-Compensation/dp/B07W3QT226/ref=psdc_15707061_t2_B07W8KJH44 (Year: 2019).
 “Noco Genius 5 Smart Charger” Found online Mar. 8, 2022 at amazon.com. Reference dated Nov. 18, 2019. Retrieved from https://www.amazon.com/dp/B07W8KJH44?ref=emc_p_m_5_i (Year: 2019).
 “NOCO Genius 1 Charger” Found online Mar. 8, 2022 at amazon.com. Reference dated Nov. 18, 2019. Retrieved from <https://www.amazon.com/NOCO-GENIUS1-Fully-Automatic-Temperature-Compensation/dp/B07W46BX31> (Year: 2019).

“REDARC Battery Charger” Found online Apr. 4, 2022 at allplant.net.au. Reference dated Nov. 4, 2016. Retrieved from http://tineye.com/search/90925c60e27321fa89cba970b4406754770123af?sort=crawl_date&order=asc&page=1 (Year: 2016).

“Renogy On-Board Battery Charger” Found online Apr. 4, 2022 at amazon.com. Reference dated Apr. 2, 2018. Retrieved from <https://www.amazon.com/Renogy-Battery-Batteries-Multi-stage-Charging/dp/B07Q5VYPCF?th=1> (Year: 2018).

“Victron Energy Charger” Found online Apr. 4, 2022 at amazon.com. Reference dated Sep. 27, 2020. Retrieved from https://www.amazon.com/Orion-Tr-12-30A-Isolated-Charger-Booster/dp/B07ZKKG396Y/ref+pd_Ipo_2?pd_rd_i=B07ZKKG396Y&th=1 (Year: 2020).

“YONHAN Battery Charger” Found online Mar. 8, 2022 at amazon.com. Reference dated Jun. 9, 2020. Retrieved from https://www.amazon.com/Automotive-Battery-Automatic-Motorcycle-YONHAN/dp/B089VRX82W/ref=psdc_15707061-t5-B09HGYMP7D (Year: 2020).

* cited by examiner

Primary Examiner — Christy Nemeth

(74) *Attorney, Agent, or Firm* — Jones Day

(57)

CLAIM

The ornamental design for a battery charger, as shown and described.

DESCRIPTION

FIG. 1 is a perspective view of a battery charger, showing our new design;

FIG. 2 is a front elevational view thereof;

FIG. 3 is a rear elevational view thereof;

FIG. 4 is a bottom plan view thereof;

FIG. 5 is a top plan view thereof;

FIG. 6 is a left side elevational view thereof; and,

FIG. 7 is a right side elevational view thereof.

The broken lines in the drawings are for the purpose of illustrating portions of the battery charger that form no part of the claimed design.

1 Claim, 7 Drawing Sheets

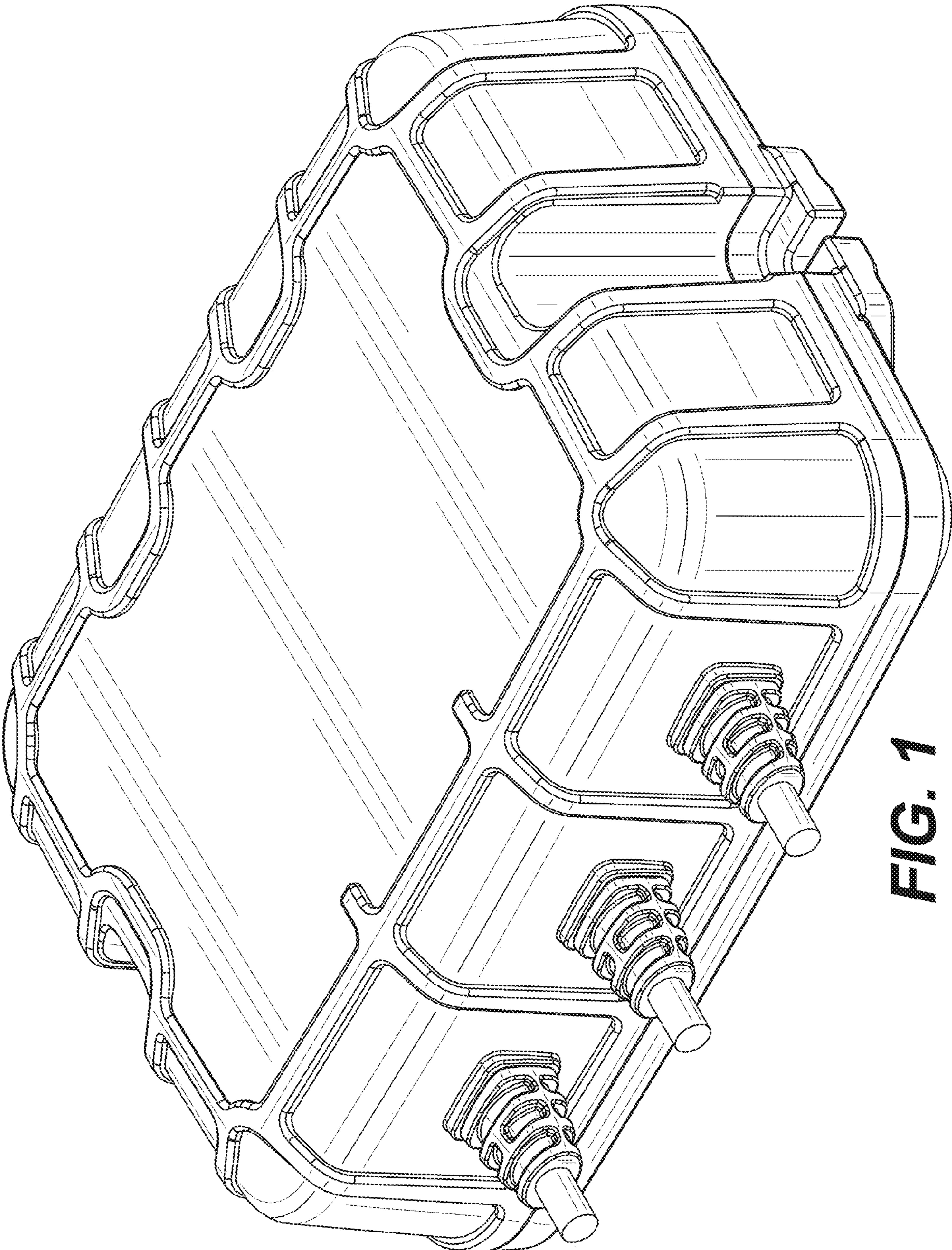


FIG. 1

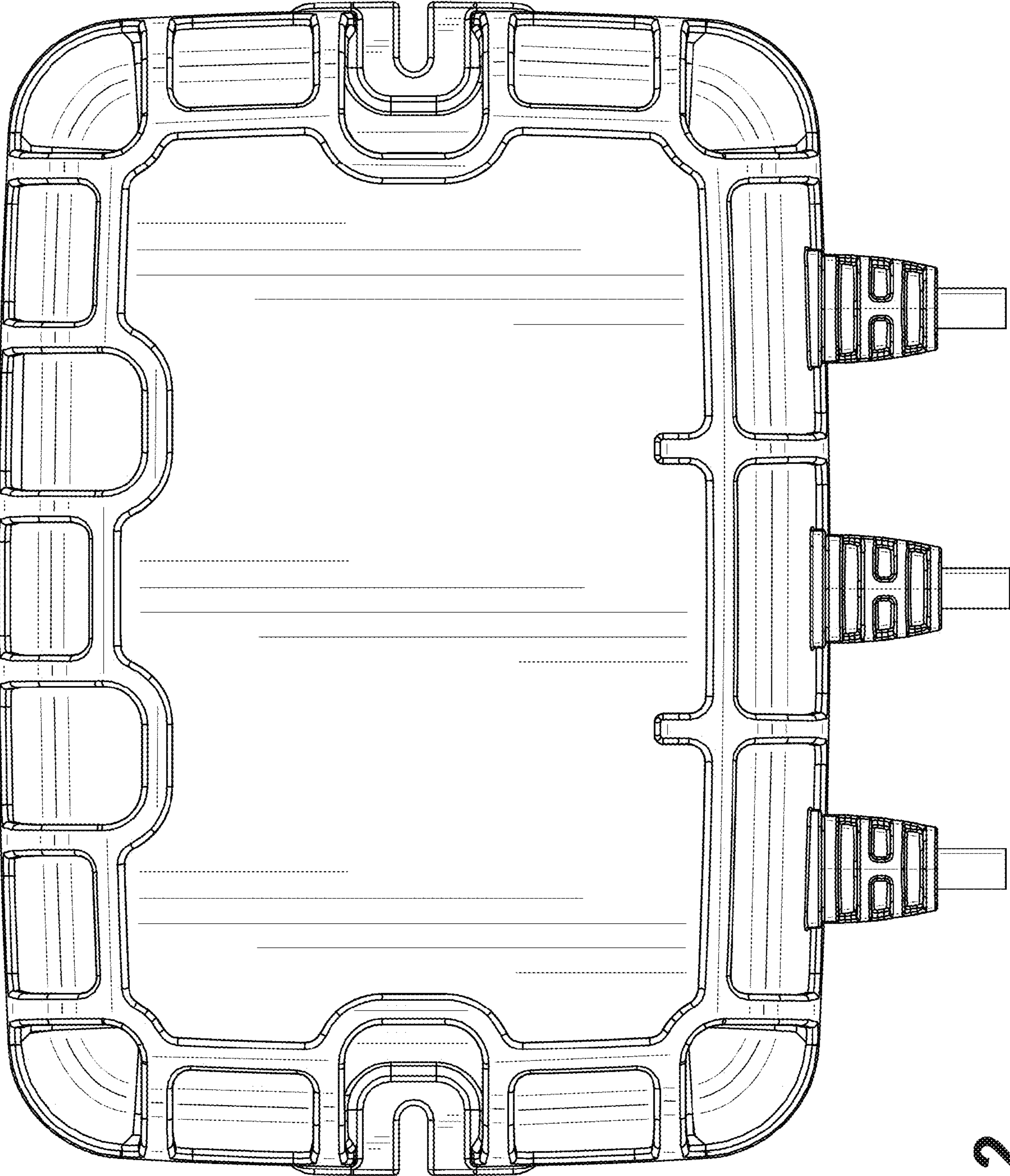


FIG. 2

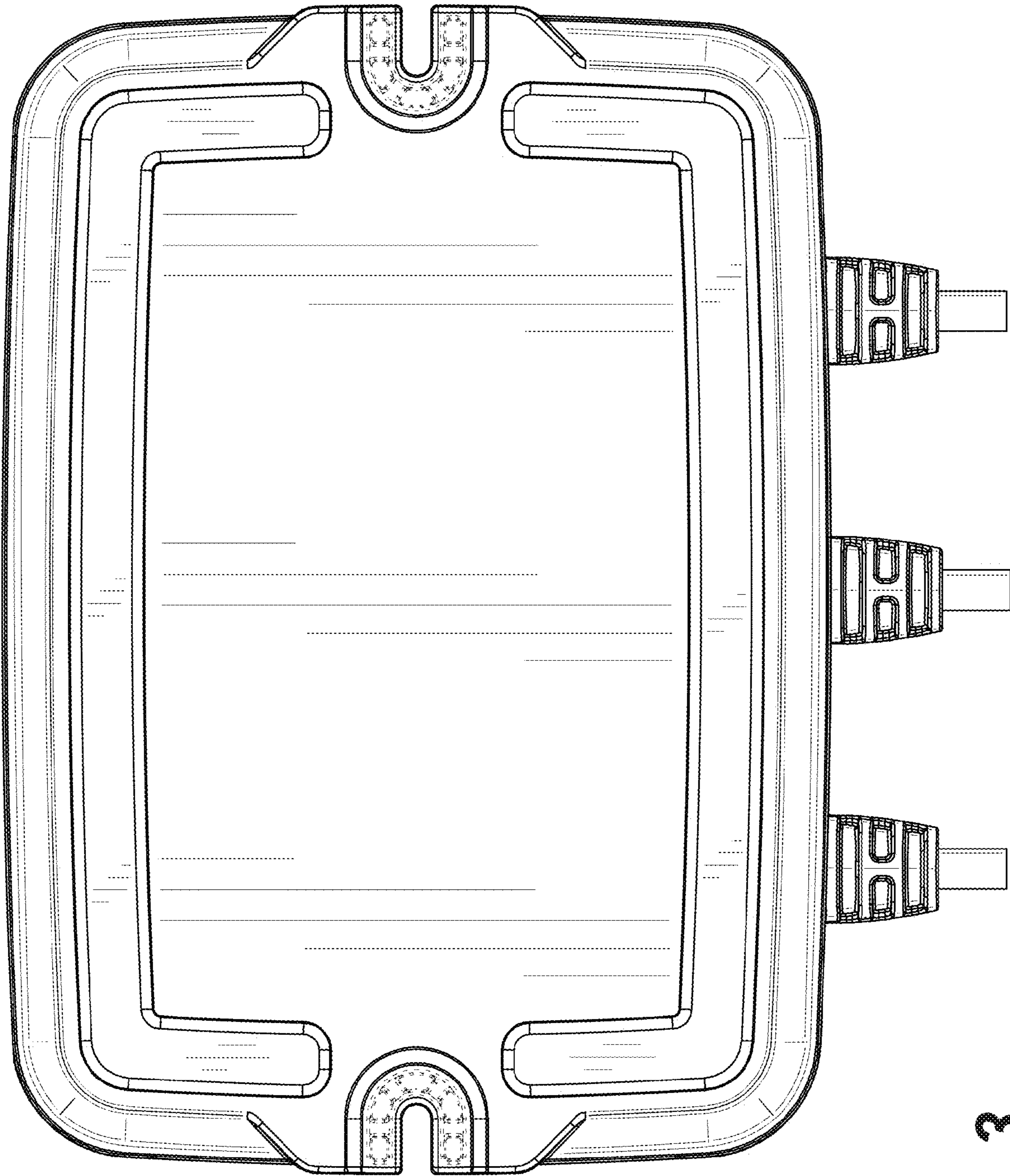


FIG. 3

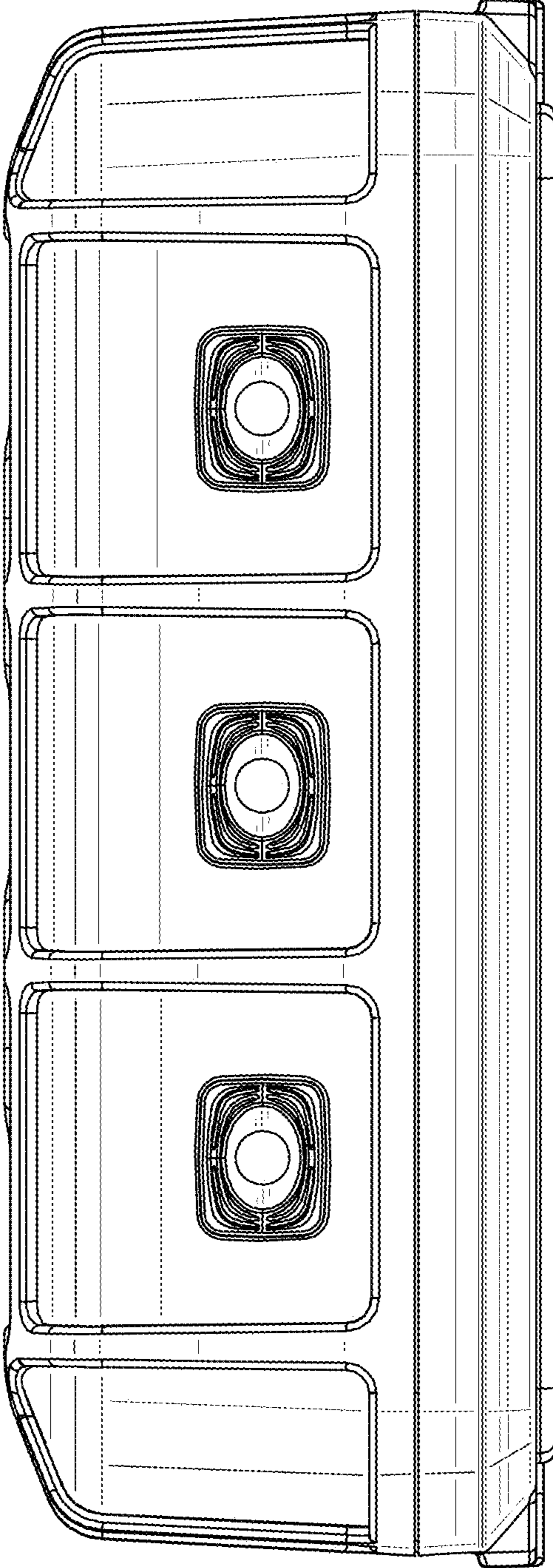


FIG. 4

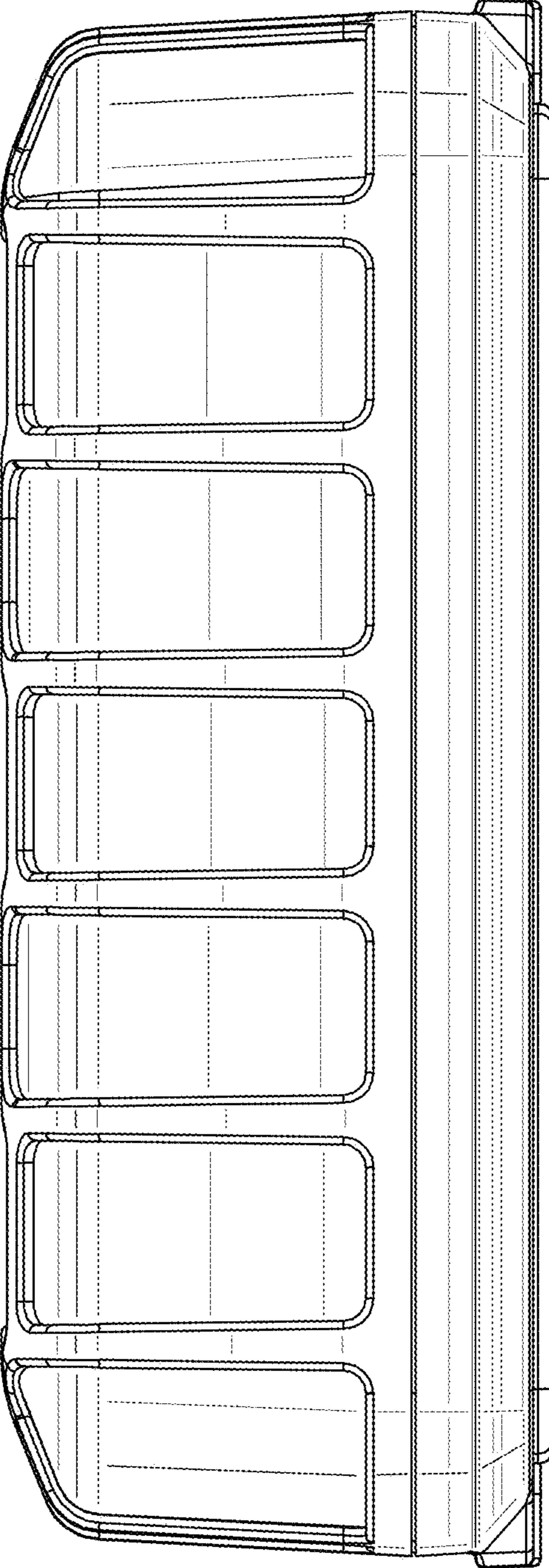


FIG. 5

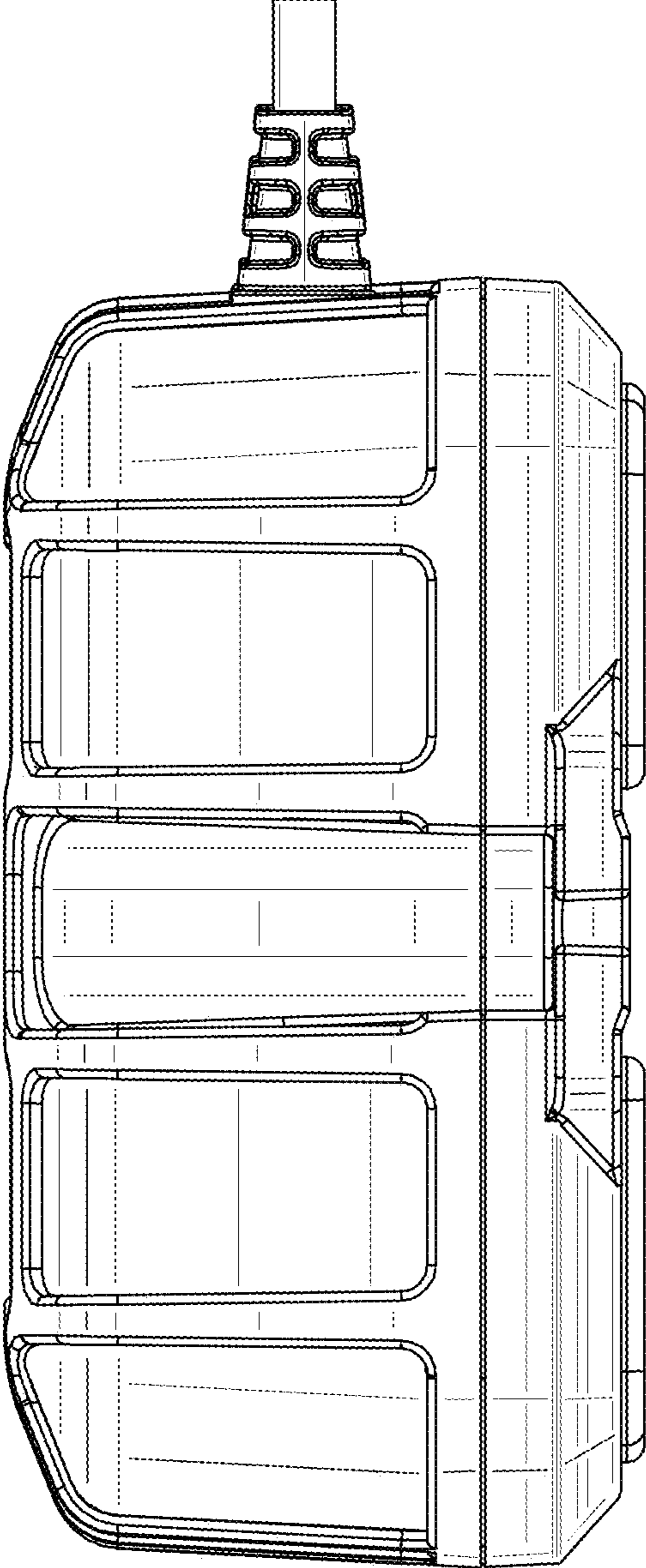


FIG. 6

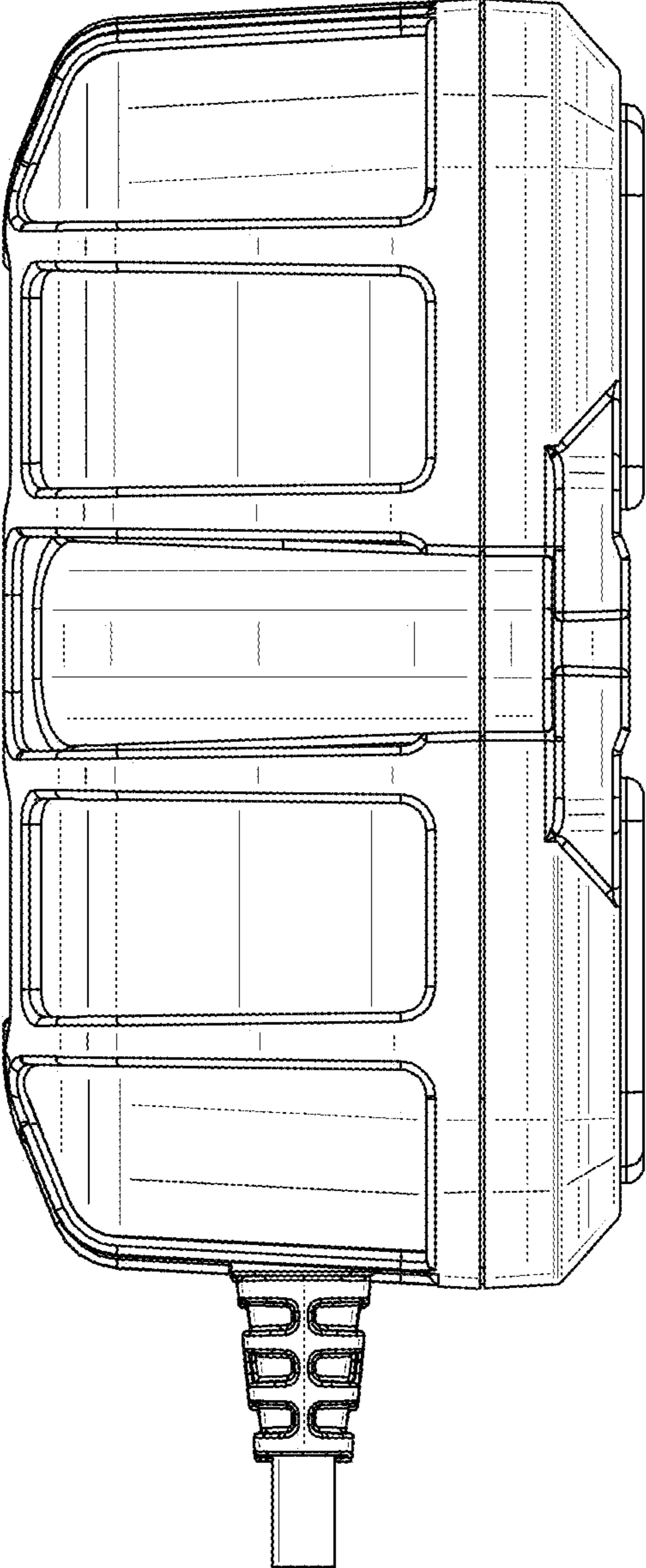


FIG. 7