



US00D988987S

(12) **United States Design Patent**
Carlucci et al.

(10) **Patent No.:** **US D988,987 S**
(45) **Date of Patent:** **** Jun. 13, 2023**

- (54) **BATTERY FOR A HAIR CLIPPER**
- (71) Applicant: **CONAIR LLC**, Stamford, CT (US)
- (72) Inventors: **Vito Carlucci**, Stratford, CT (US);
Dennis Joseph Colpitts, Fairfield, CT (US);
Sergio Lopes Fernandes Da Costa, Danbury, CT (US)
- (73) Assignee: **Conair LLC**, Stamford, CT (US)
- (**) Term: **15 Years**
- (21) Appl. No.: **29/806,147**
- (22) Filed: **Sep. 1, 2021**
- (51) **LOC (14) Cl.** **13-02**
- (52) **U.S. Cl.**
USPC **D13/103**
- (58) **Field of Classification Search**
USPC D13/102–106, 110, 118–119, 184
CPC . Y02E 60/10; H01M 2220/30; H01M 50/209;
H01M 50/213; H01M 50/183; H01M 50/10;
H01M 50/529; H01M 50/531; H01M 10/0525;
H01M 10/0436; H01M 10/052; H01M 10/0565;
H01M 10/30; H01M 10/345; H01M 10/425; H01M 2010/0495;
B25F 5/02; B25F 5/00; A61B 2017/00734
See application file for complete search history.

(56) **References Cited**

U.S. PATENT DOCUMENTS

- D313,391 S * 1/1991 Pudwill D13/103
- D323,642 S * 2/1992 Liao D13/103

- D388,060 S * 12/1997 Tanaka D13/103
- D547,264 S * 7/2007 Kondo D13/103
- D597,482 S * 8/2009 Kondo D13/103
- D605,586 S * 12/2009 Tong D13/103
- D623,589 S * 9/2010 Tarter D13/103
- D682,195 S * 5/2013 Aglassinger D13/103
- D699,672 S * 2/2014 Kosugi D13/103
- D908,082 S * 1/2021 Lundbaeck D13/103
- D912,617 S * 3/2021 Qiao D13/103
- D918,829 S * 5/2021 Tinius D13/103
- D964,266 S * 9/2022 Bublitz D13/103

* cited by examiner

Primary Examiner — Nathaniel D. Buckner

(74) *Attorney, Agent, or Firm* — Grogan, Tuccillo & Vanderleeden, LLP

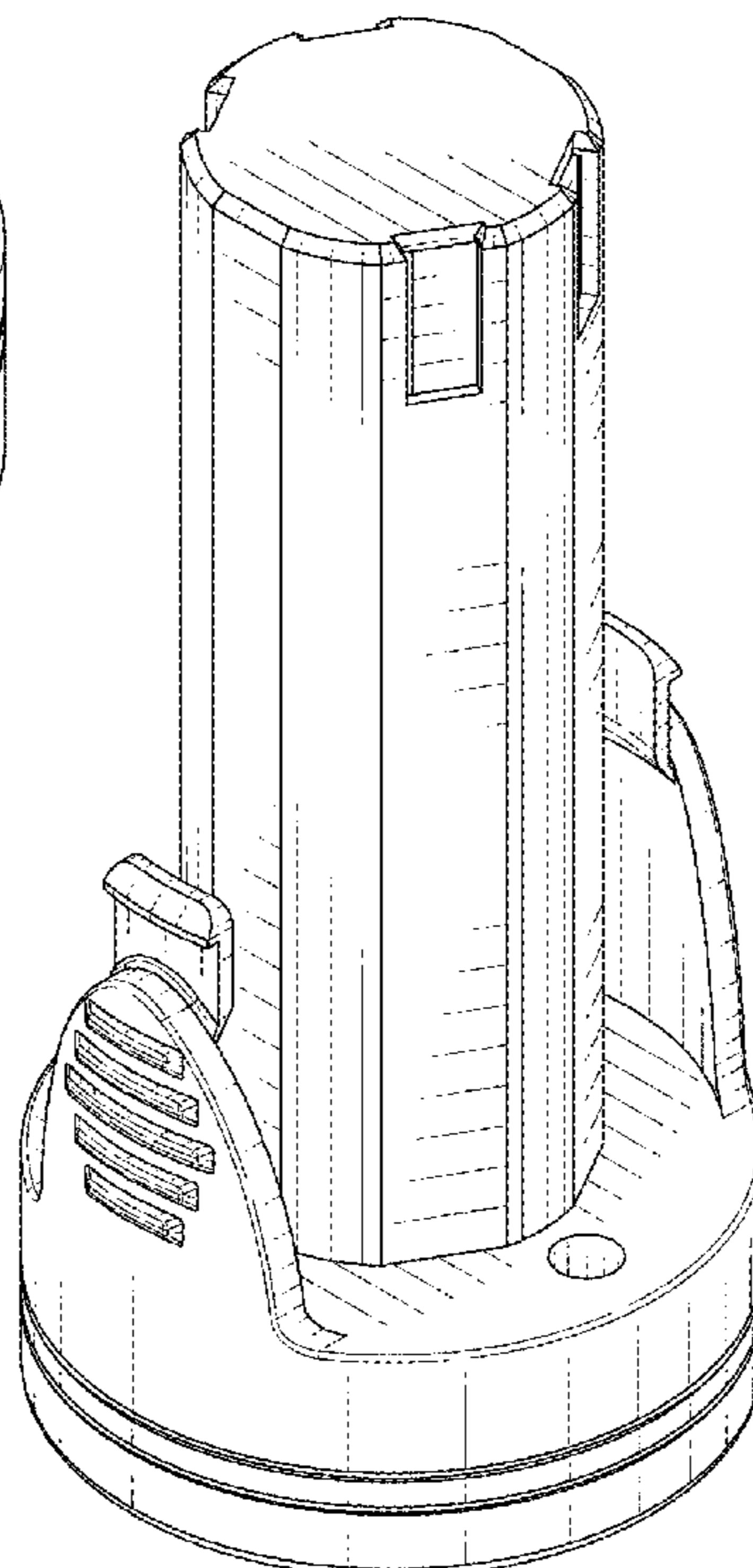
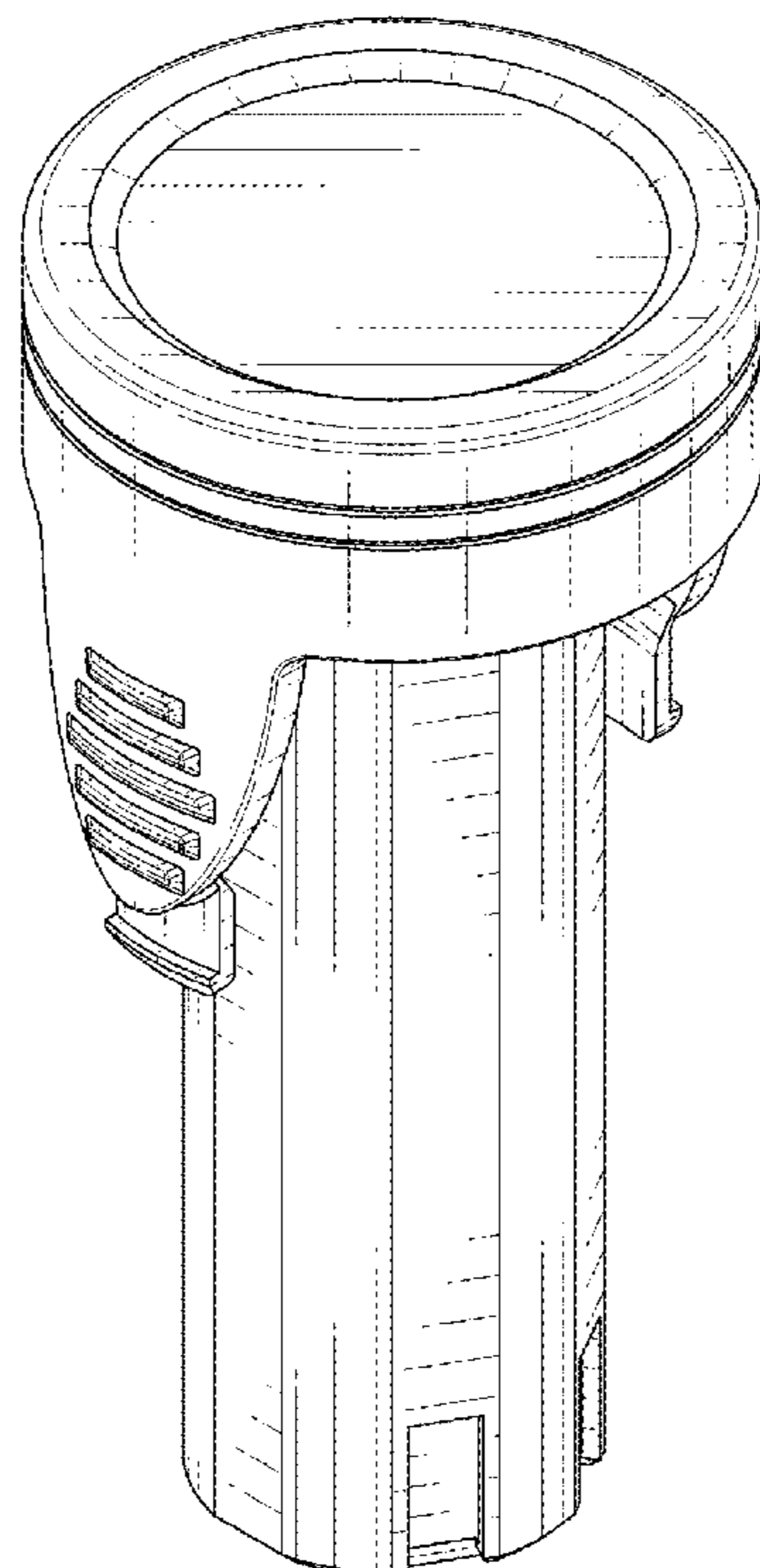
(57) **CLAIM**

The ornamental design for a battery for a hair clipper, as shown and described.

DESCRIPTION

FIG. 1 is a perspective view of a battery for a hair clipper showing a new design;
 FIG. 2 is a left side elevational view thereof, the right side being a mirror image;
 FIG. 3 is a front elevational view thereof, the rear being a mirror image;
 FIG. 4 is a top plan view thereof;
 FIG. 5 is a bottom plan view thereof; and,
 FIG. 6 is another perspective view thereof.
 The broken lines are for illustrative purposes only and form no part of the claimed design.

1 Claim, 5 Drawing Sheets



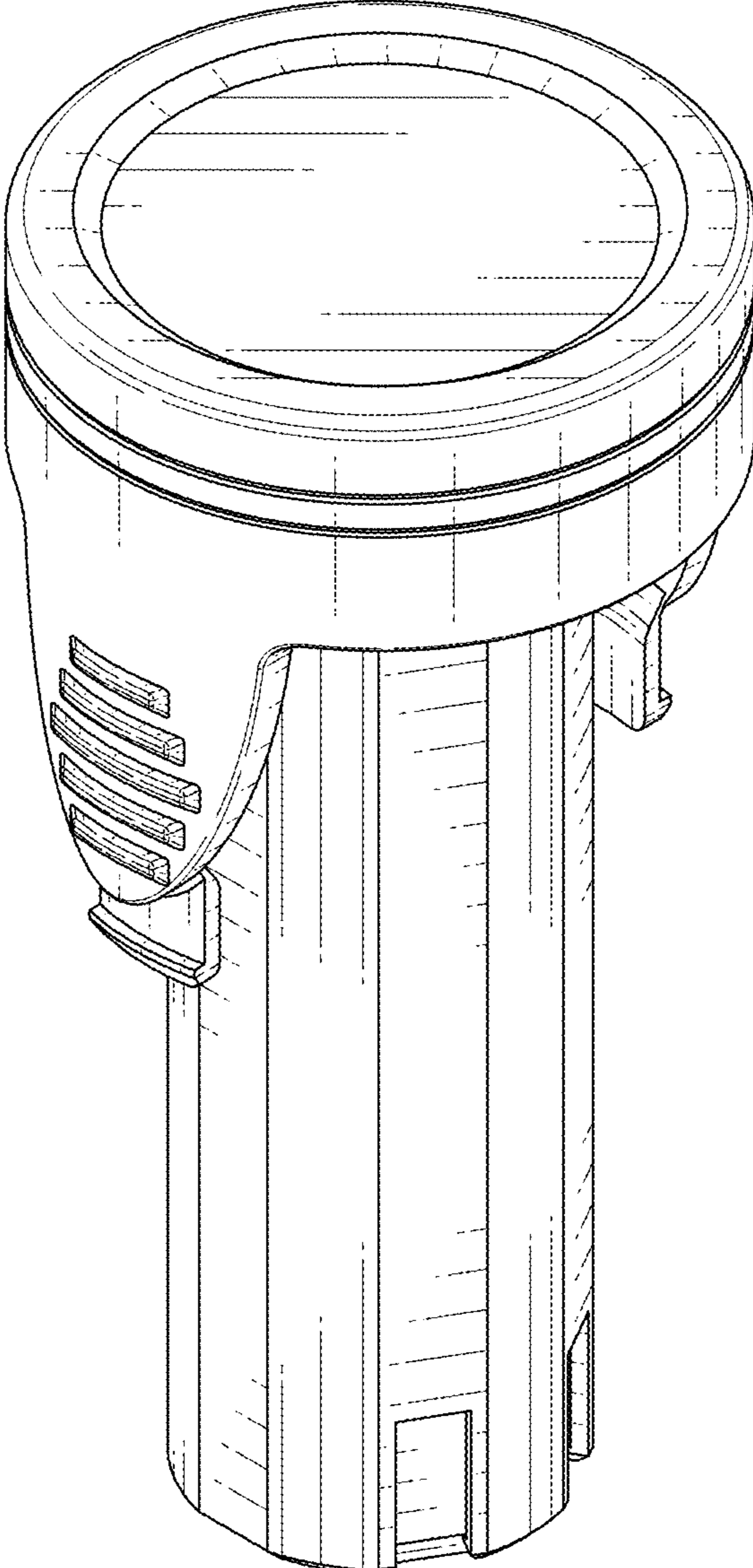


FIG. 1

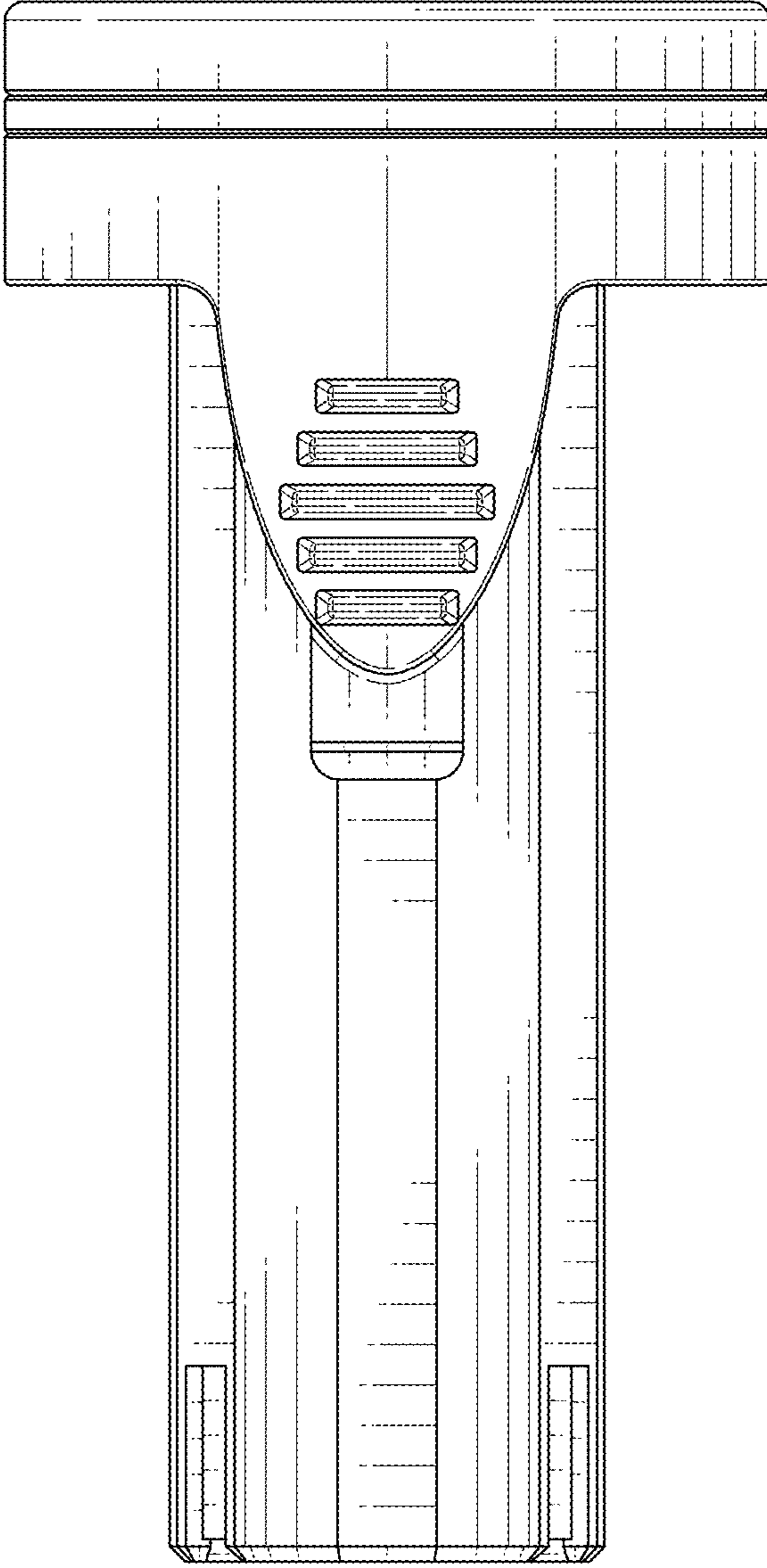


FIG. 2

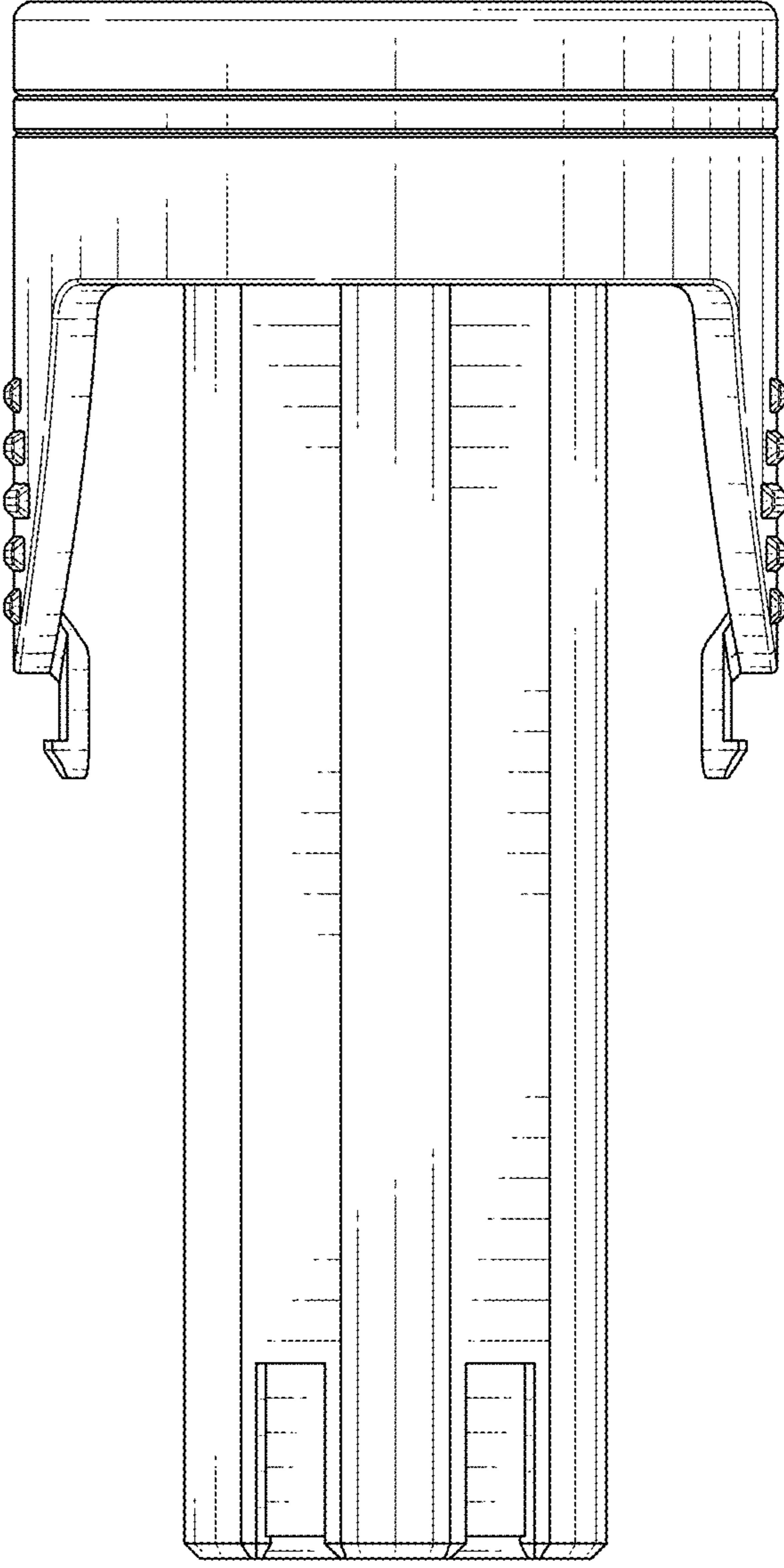


FIG. 3

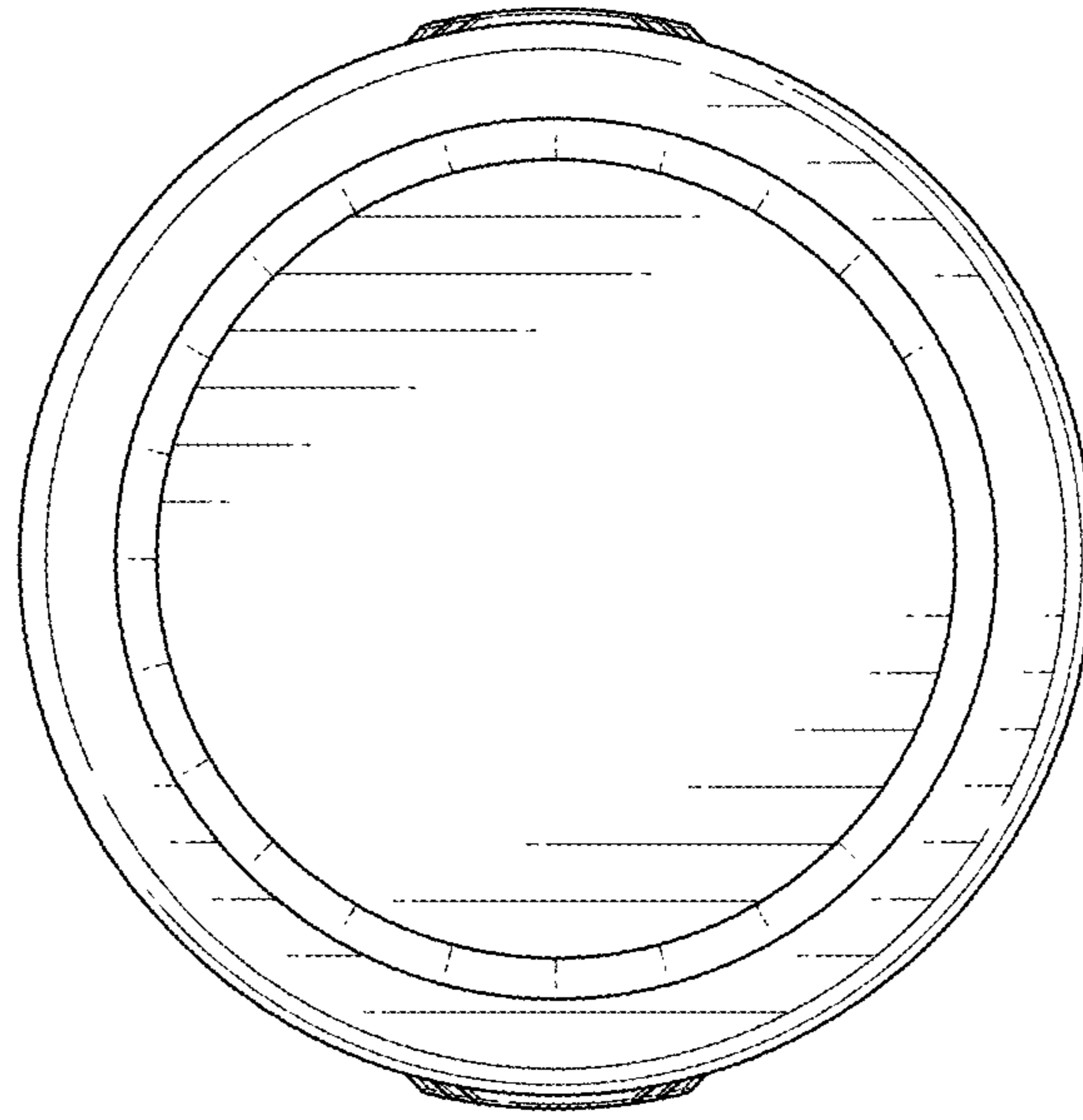


FIG. 4

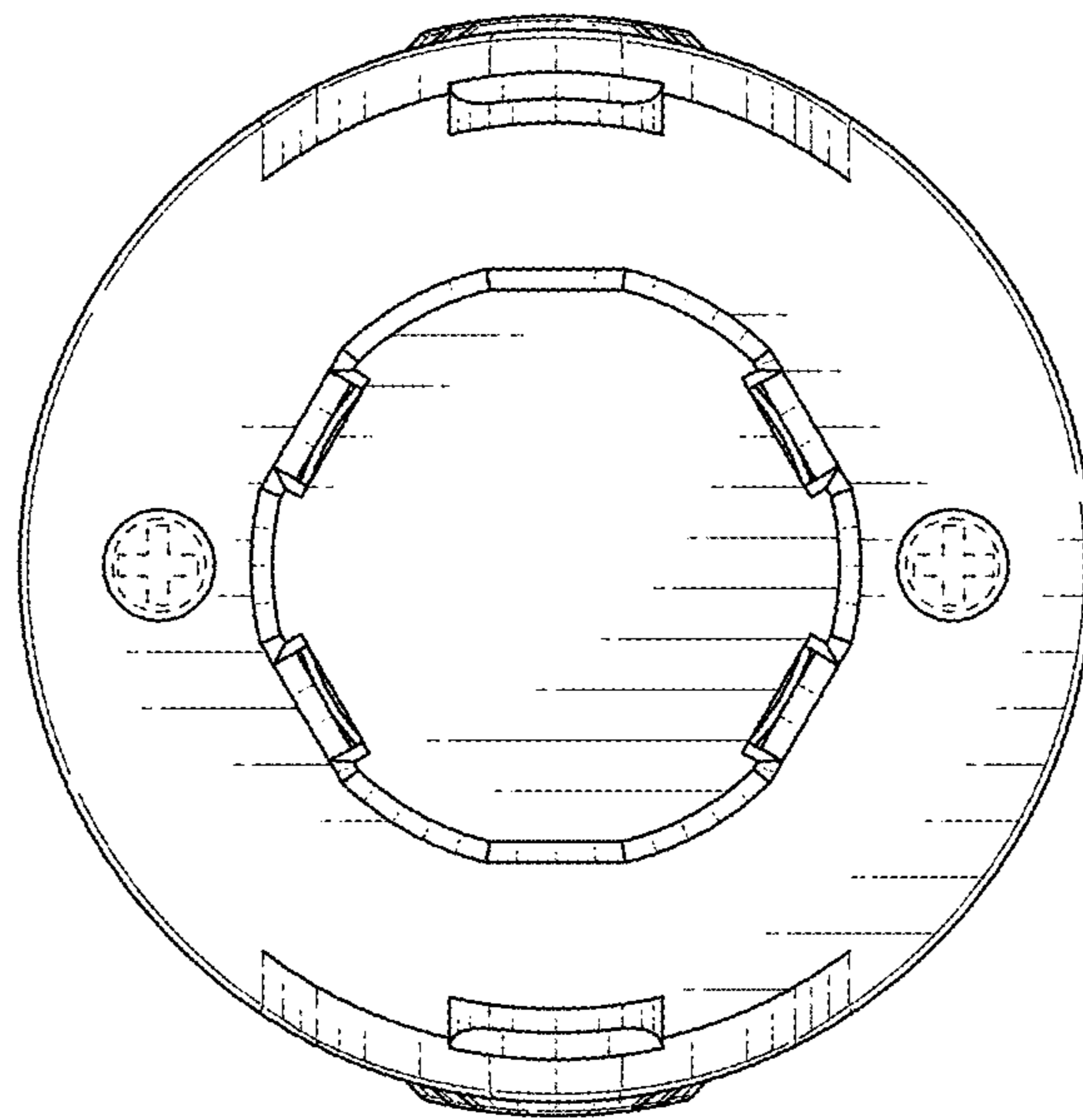


FIG. 5

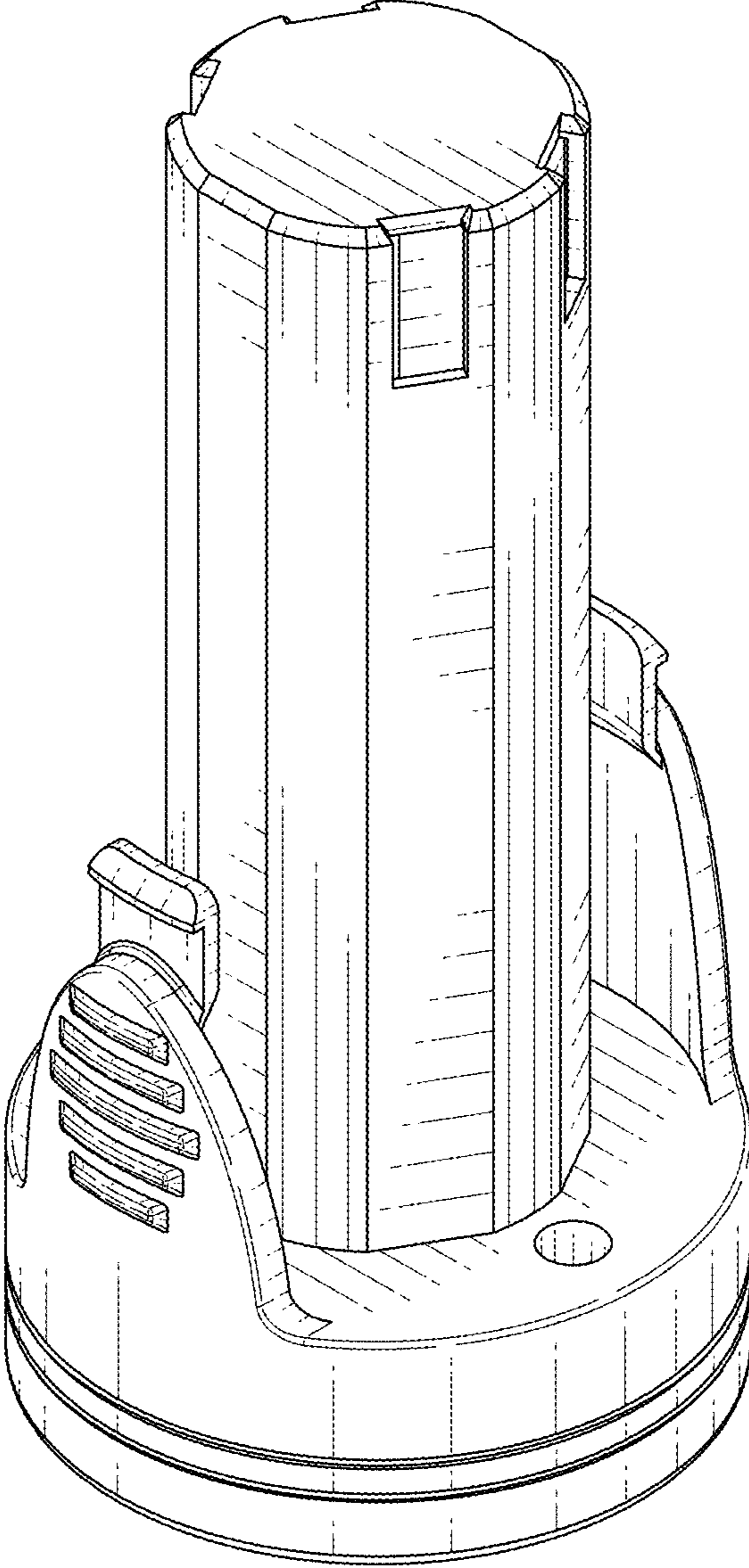


FIG. 6