



US00D988985S

(12) **United States Design Patent**
Colton

(10) **Patent No.:** **US D988,985 S**

(45) **Date of Patent:** **** Jun. 13, 2023**

(54) **BATTERY PACK**

(71) Applicant: **BLACK & DECKER INC.**, New Britain, CT (US)

(72) Inventor: **Mark Colton**, Annapolis, MD (US)

(73) Assignee: **BLACK & DECKER INC.**, New Britain, CT (US)

(**) Term: **15 Years**

(21) Appl. No.: **29/777,986**

(22) Filed: **Apr. 9, 2021**

(51) **LOC (14) Cl.** **13-02**

(52) **U.S. Cl.**
USPC **D13/103**

(58) **Field of Classification Search**

USPC D13/102–106, 110, 118–119, 184
CPC . Y02E 60/10; H01M 2220/30; H01M 50/209;
H01M 50/213; H01M 50/183; H01M
50/10; H01M 50/529; H01M 50/531;
H01M 10/0525; H01M 10/0436; H01M
10/052; H01M 10/0565; H01M 10/30;
H01M 10/345; H01M 10/425; H01M
2010/0495; B25F 5/02; B25F 5/00; A61B
2017/00734

See application file for complete search history.

(56) **References Cited**

U.S. PATENT DOCUMENTS

D589,439 S *	3/2009	Van Wambeke	D13/103
D597,931 S *	8/2009	Aglassinger	D13/103
D797,661 S *	9/2017	Elder	D13/103
D800,650 S *	10/2017	Itoh	D13/103
D801,919 S *	11/2017	Elder	D13/103
D812,555 S *	3/2018	Schoch	D13/103
D819,562 S *	6/2018	Waldron	D13/103
D912,615 S *	3/2021	Li	D13/103
D922,940 S *	6/2021	Ye	D13/103
D924,794 S *	7/2021	Kuang	D13/103

(Continued)

Primary Examiner — Nathaniel D. Buckner

(74) *Attorney, Agent, or Firm* — Michael Aronoff

(57) **CLAIM**

The ornamental design for a battery pack, as shown and described.

DESCRIPTION

FIG. 1 is a front elevation view of a battery pack of the present invention.

FIG. 2 is a right, side elevation view of the battery pack of FIG. 1.

FIG. 3 is a rear elevation view of the battery pack of FIG. 1.

FIG. 4 is a left, side elevation view of the battery pack of FIG. 1.

FIG. 5 is a top plan view of the battery pack of FIG. 1.

FIG. 6 is a bottom plan view of the battery pack of FIG. 1.

FIG. 7 is a front, top, right-side isometric view of the battery pack of FIG. 1.

FIG. 8 is a rear, top, right-side isometric view of the battery pack of FIG. 1.

FIG. 9 is a rear, top, left-side isometric view of the battery pack of FIG. 1.

FIG. 10 is a front, top, left-side isometric view of the battery pack of FIG. 1.

FIG. 11 is a front, bottom, right-side isometric view of the battery pack of FIG. 1.

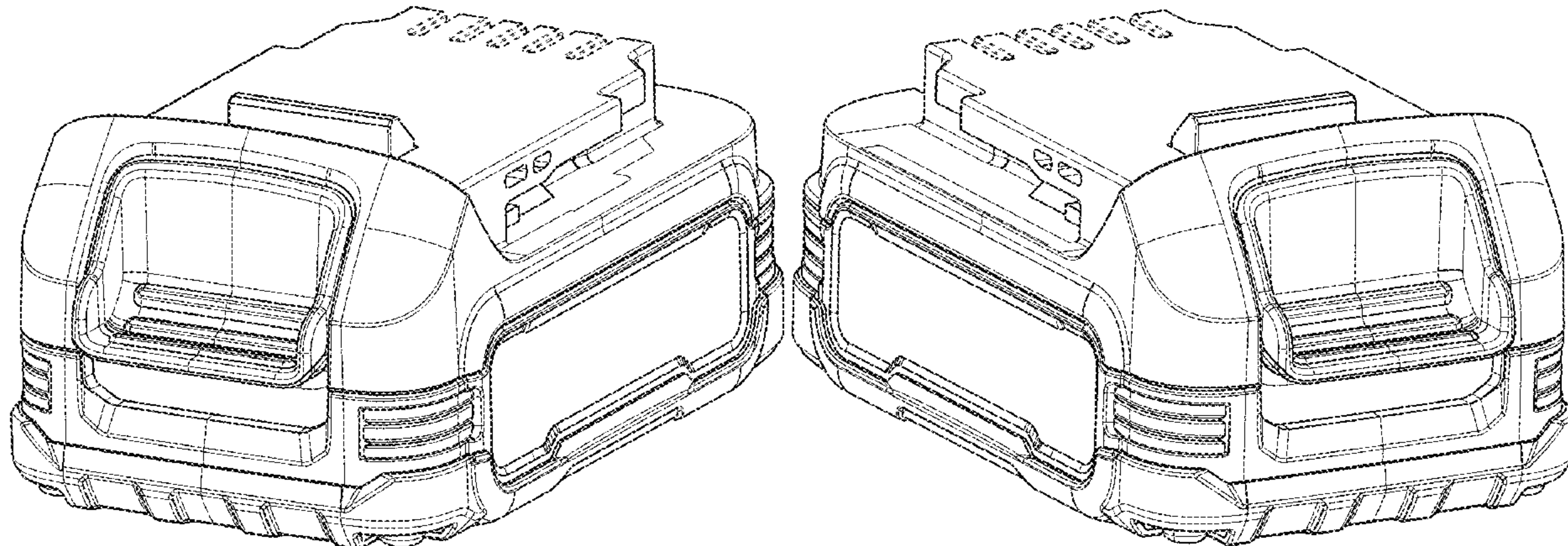
FIG. 12 is a rear, bottom, right-side isometric view of the battery pack of FIG. 1.

FIG. 13 is a rear, bottom, left-side isometric view of the battery pack of FIG. 1; and,

FIG. 14 is a front, bottom, left-side isometric view of the battery pack of FIG. 1.

The broken lines present in the figures are included for the purpose of illustrating portions of the article that form no part of the claimed design.

1 Claim, 14 Drawing Sheets



(56)

References Cited

U.S. PATENT DOCUMENTS

D931,801 S	*	9/2021	Timm	D13/103
D945,959 S	*	3/2022	Okuda	D13/103
D946,504 S	*	3/2022	Qiu	D13/103

* cited by examiner

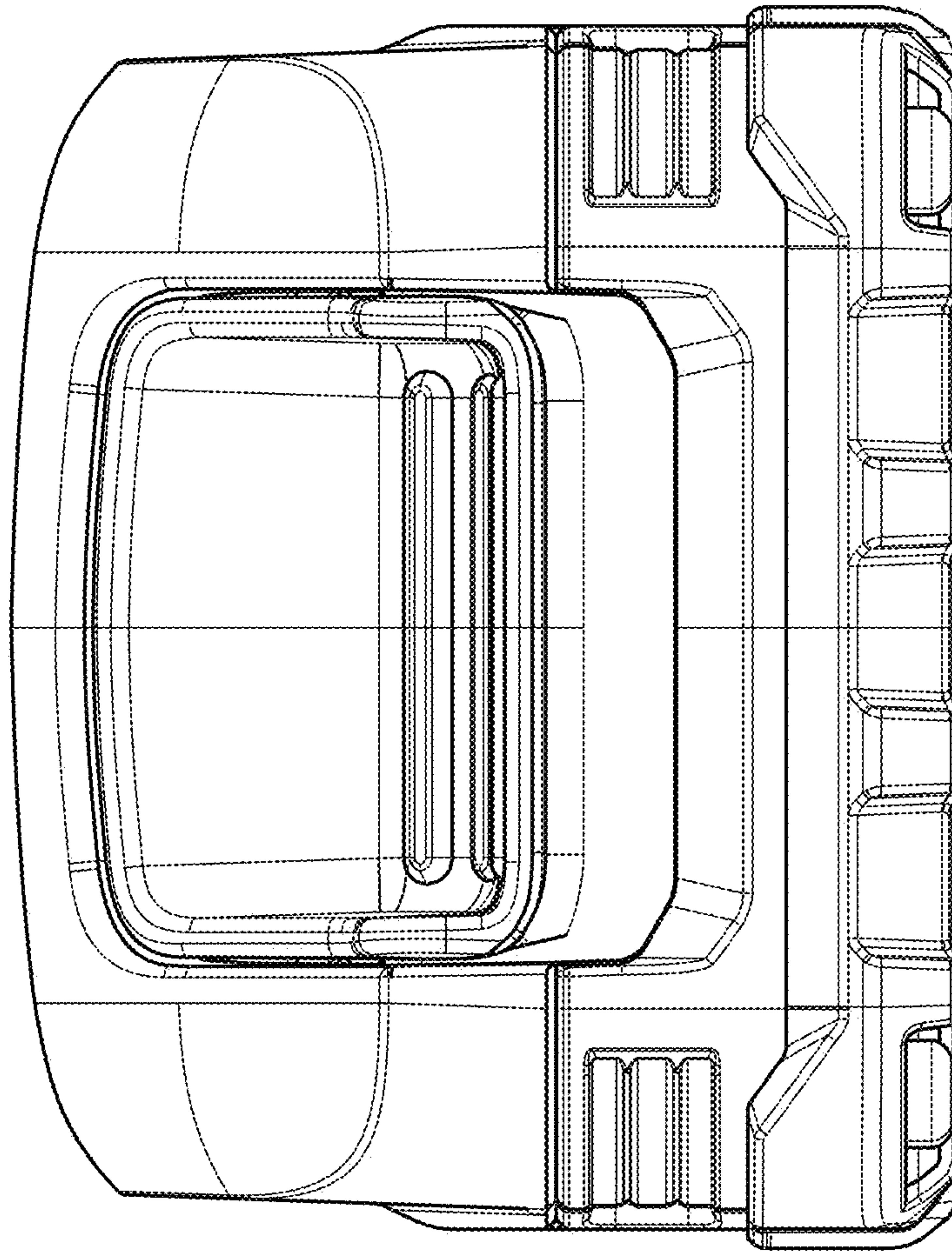


FIG. 1

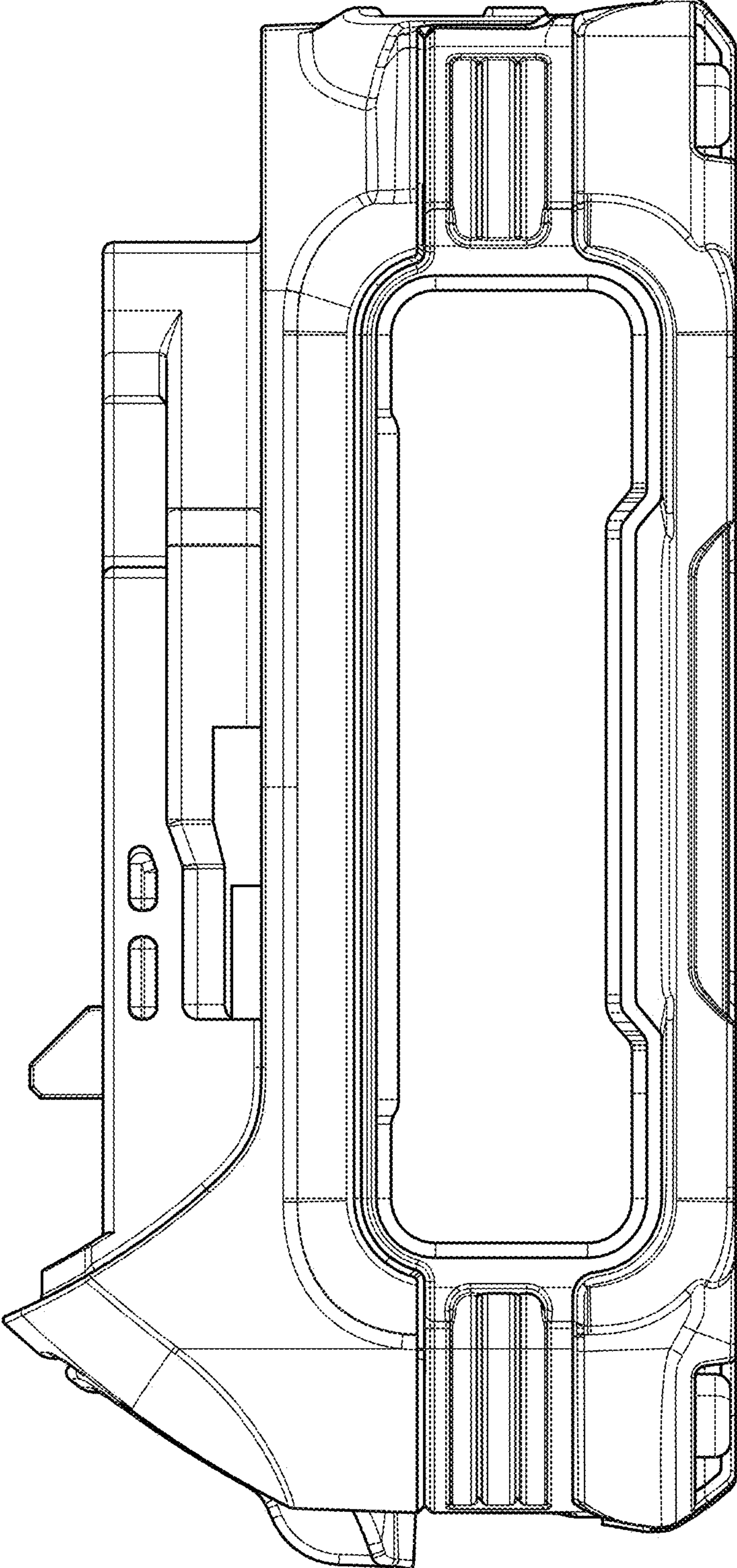


FIG. 2

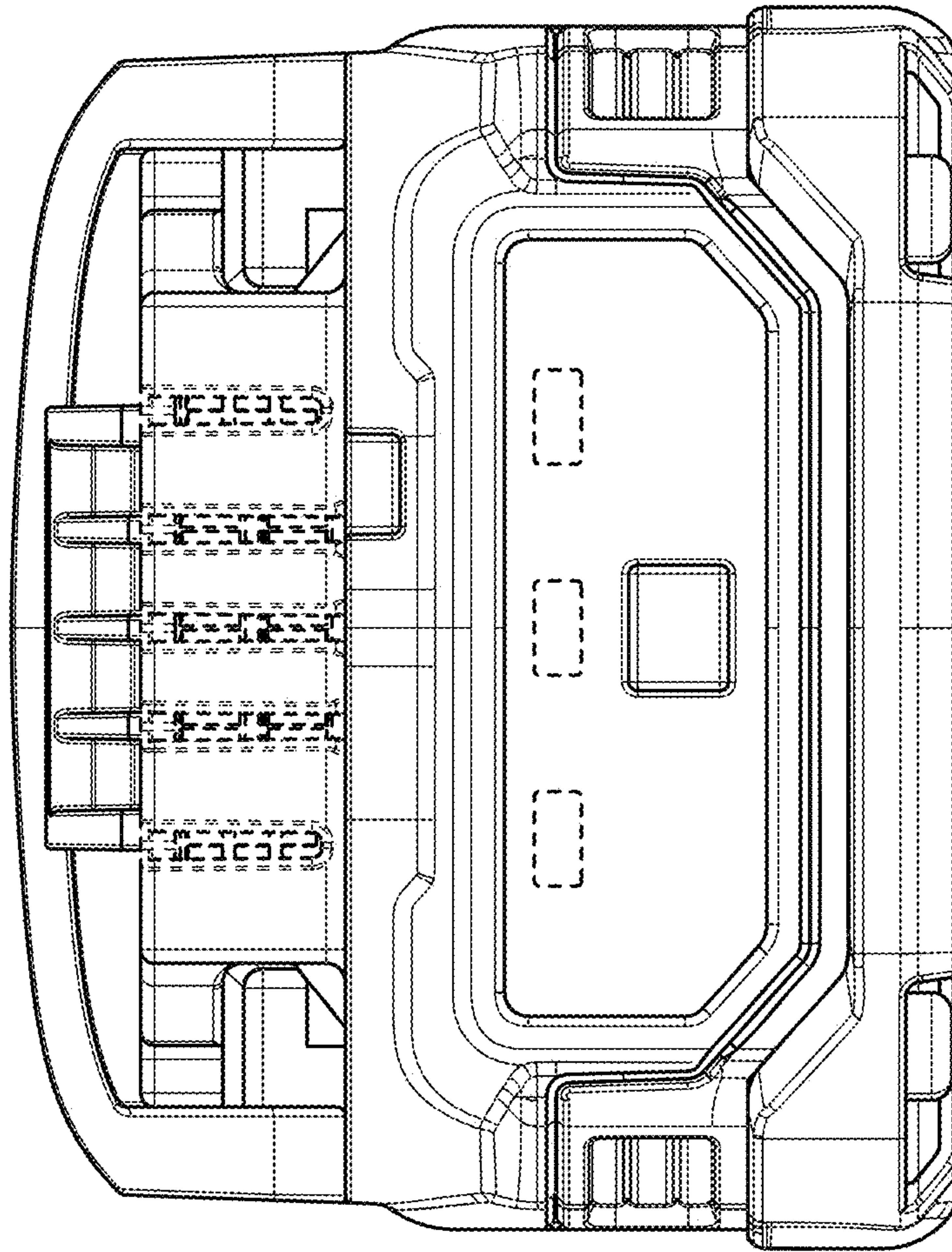


FIG. 3

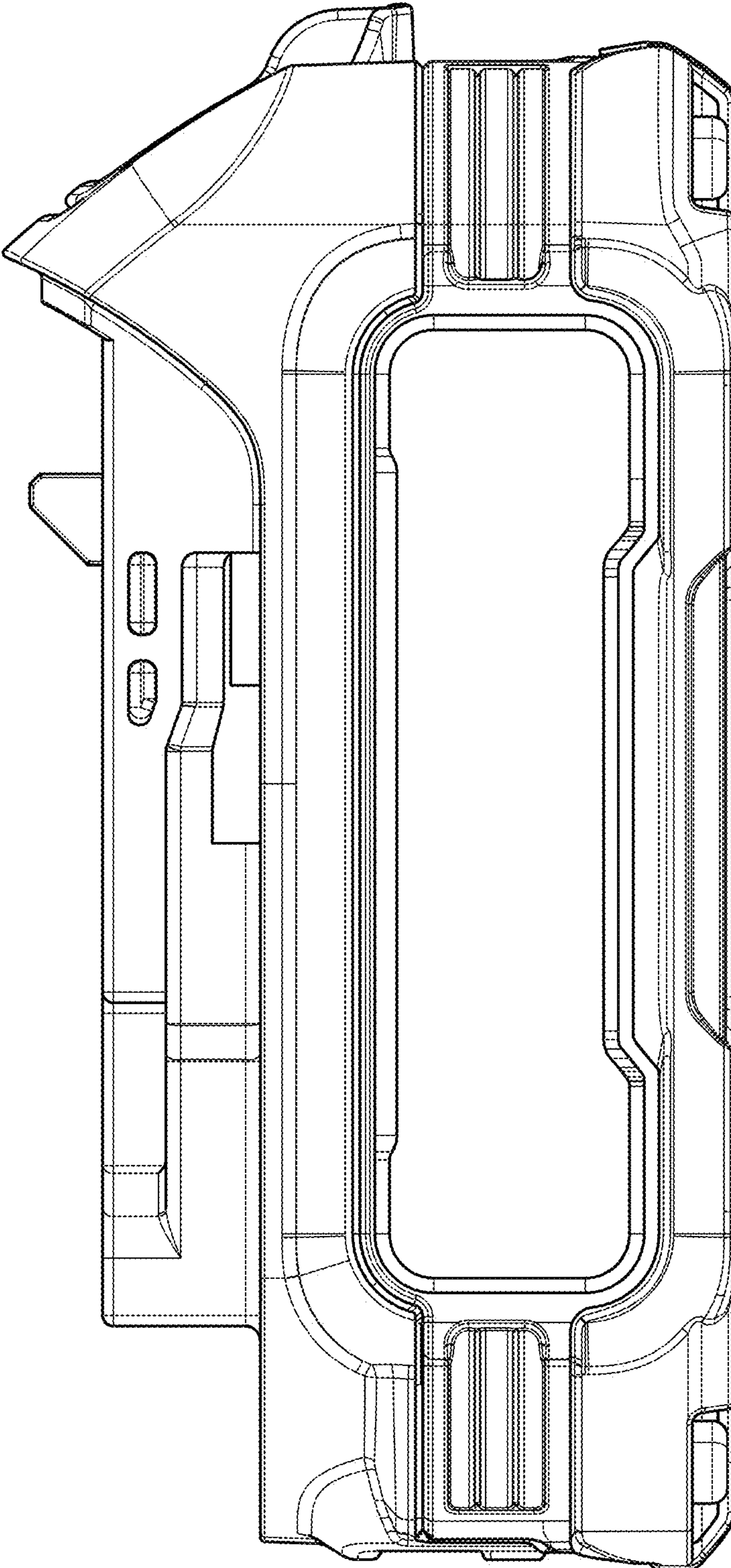


FIG. 4

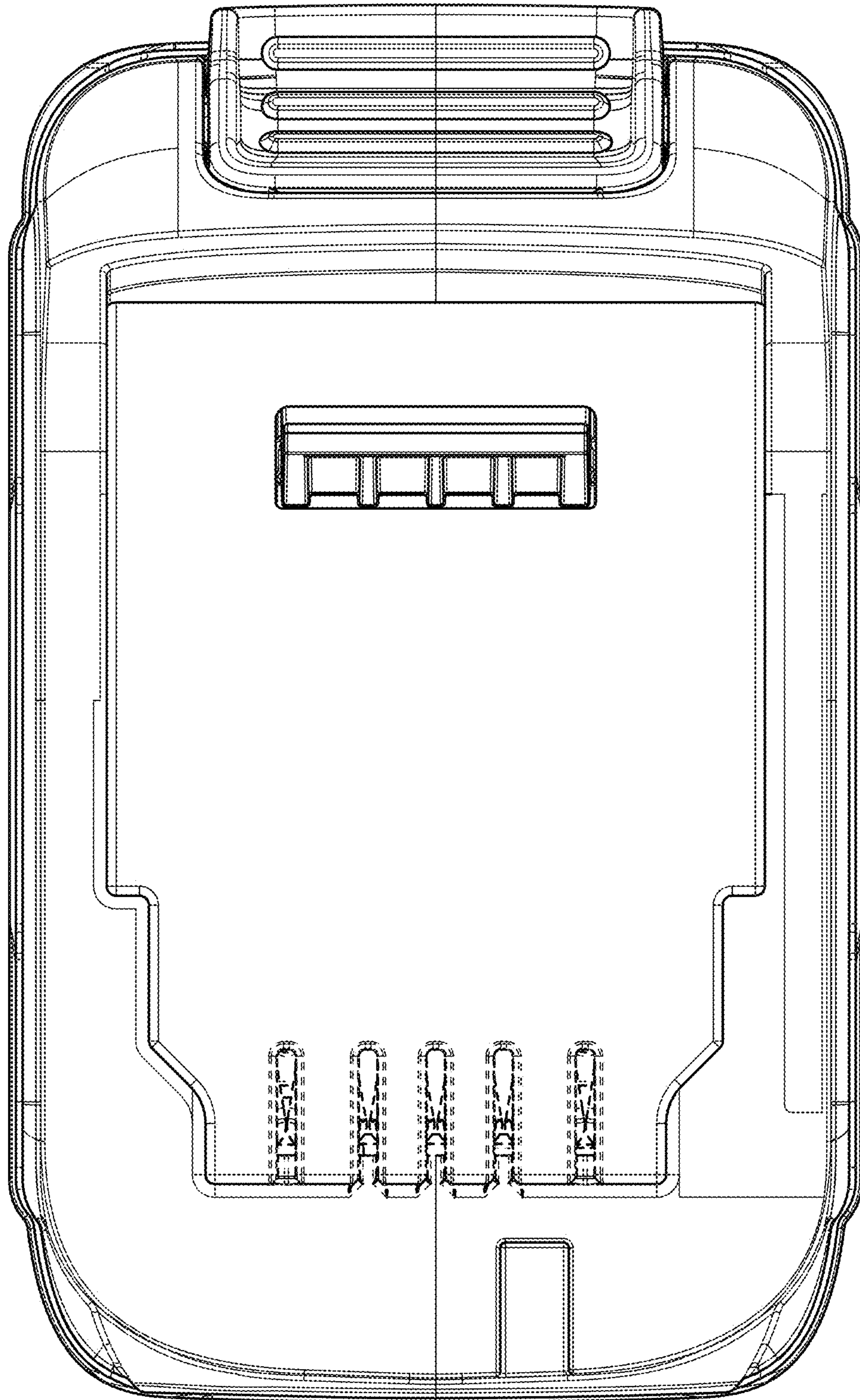


FIG. 5

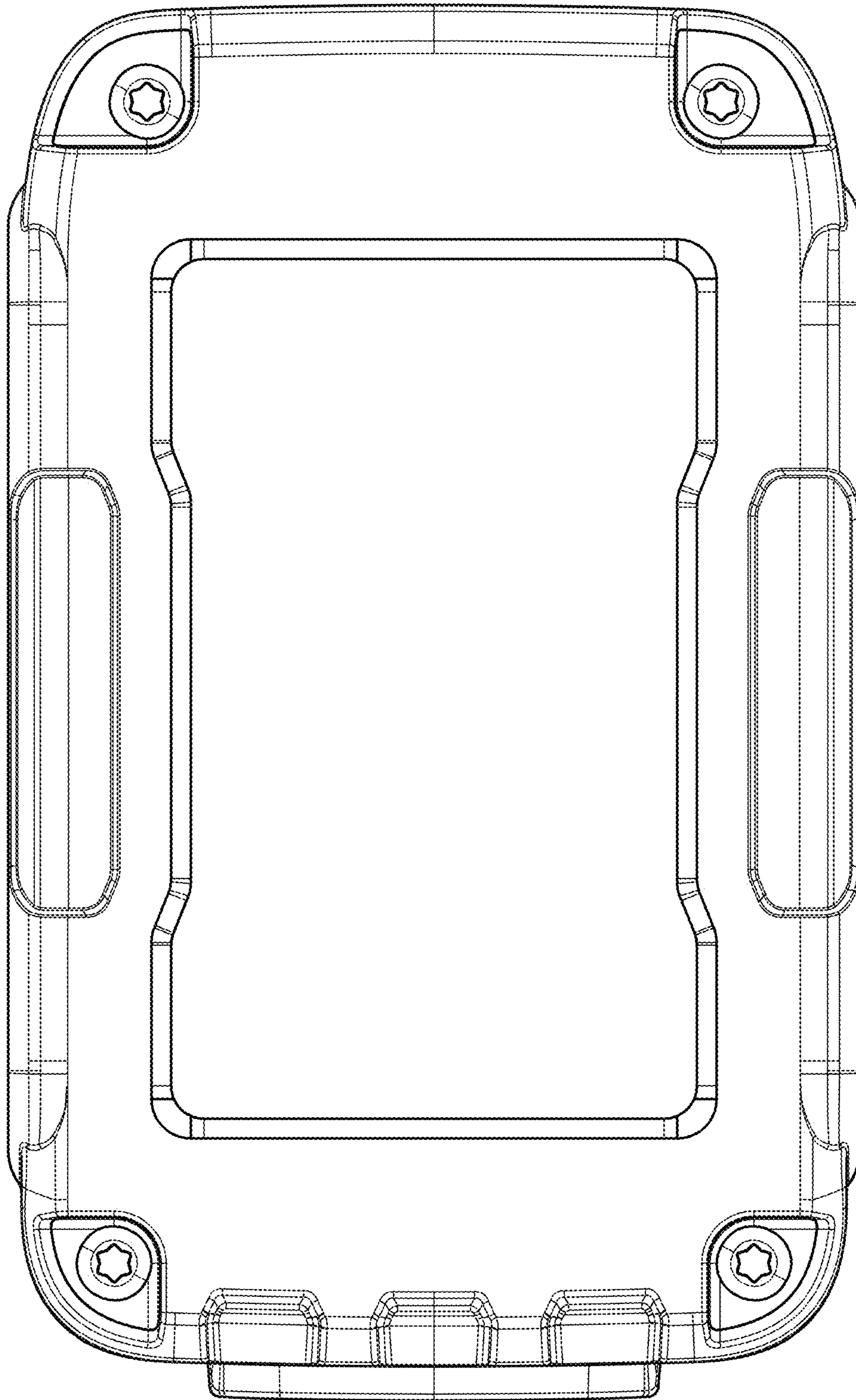


FIG. 6

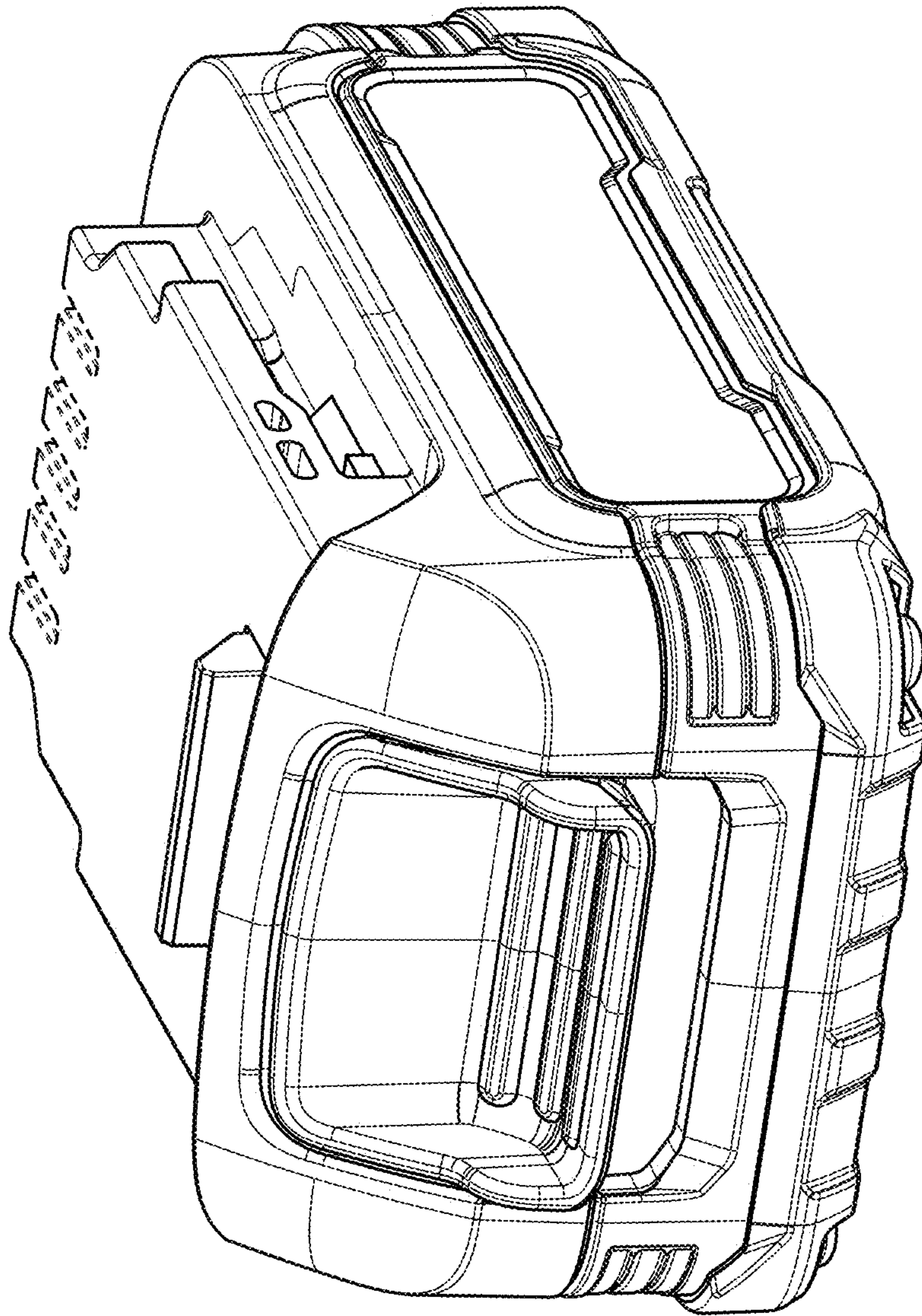


FIG. 7

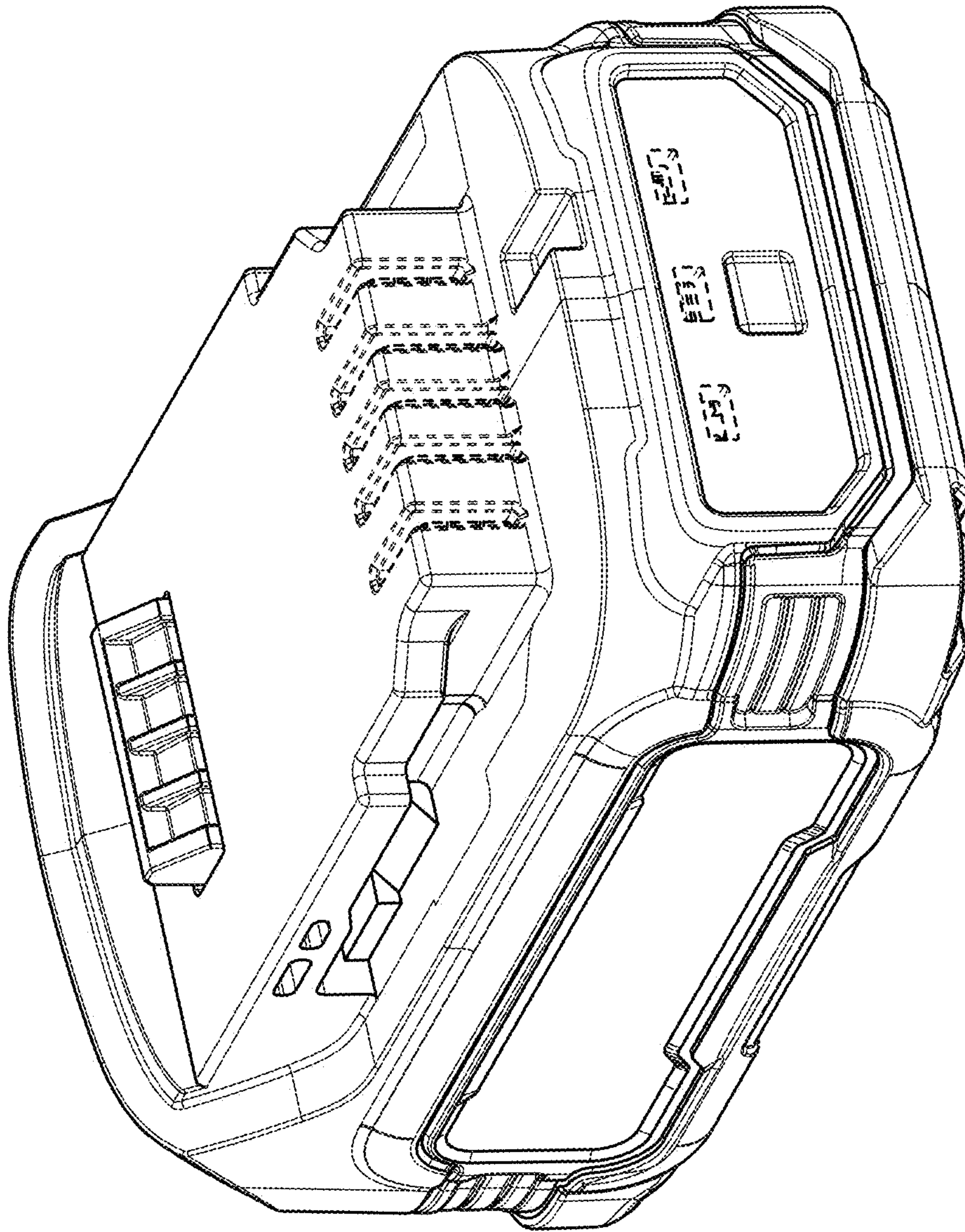


FIG. 8

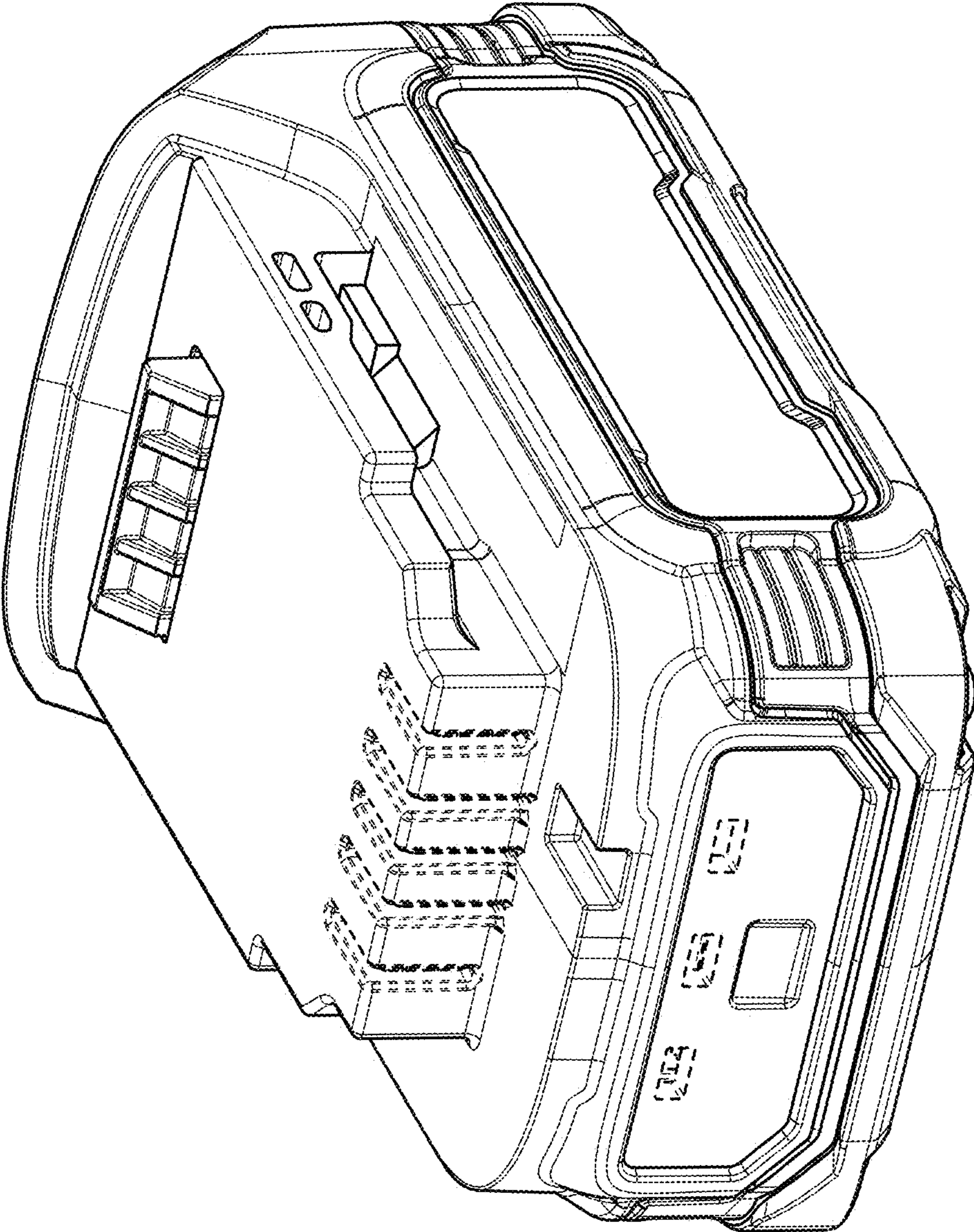


FIG. 9

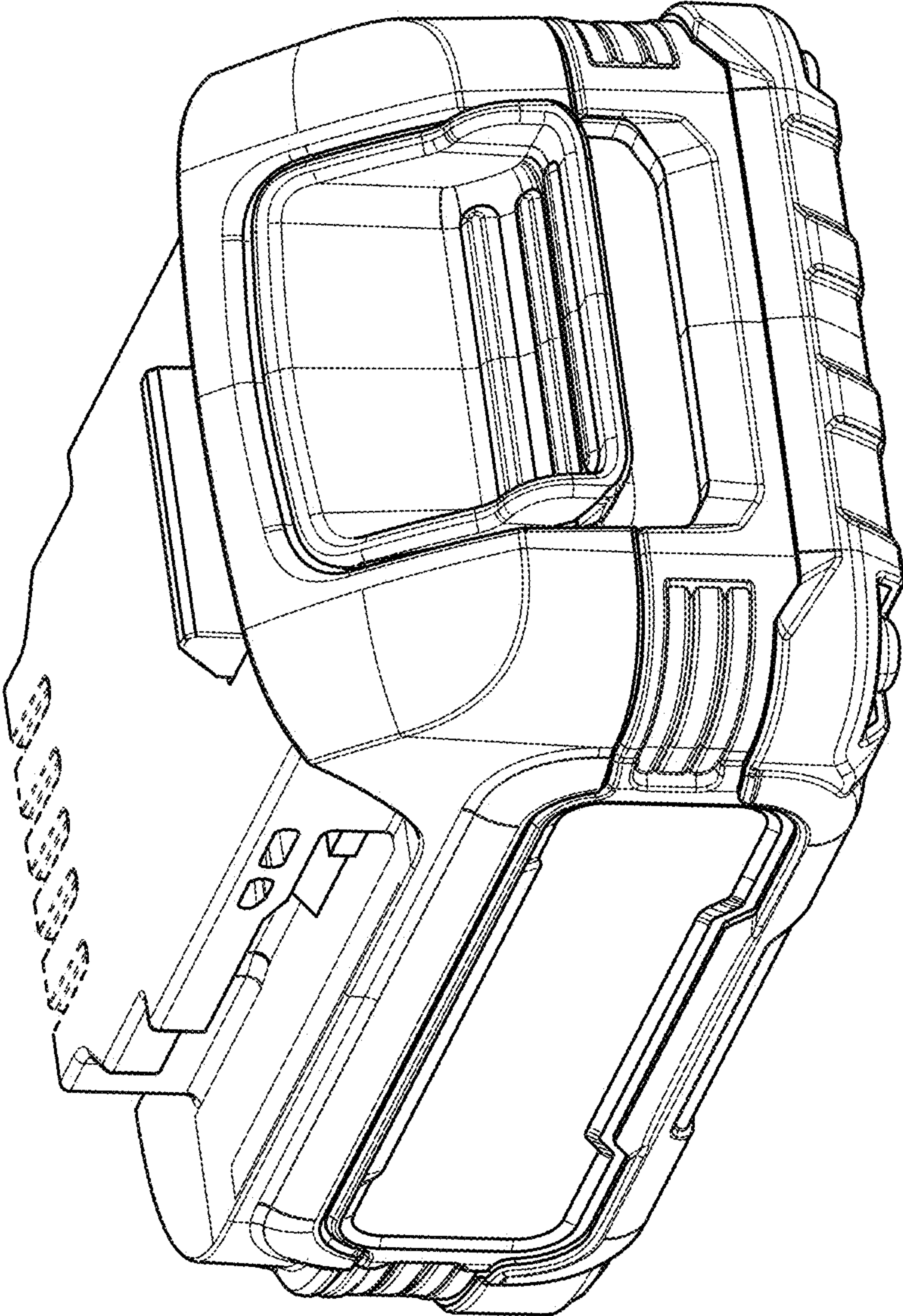


FIG. 10

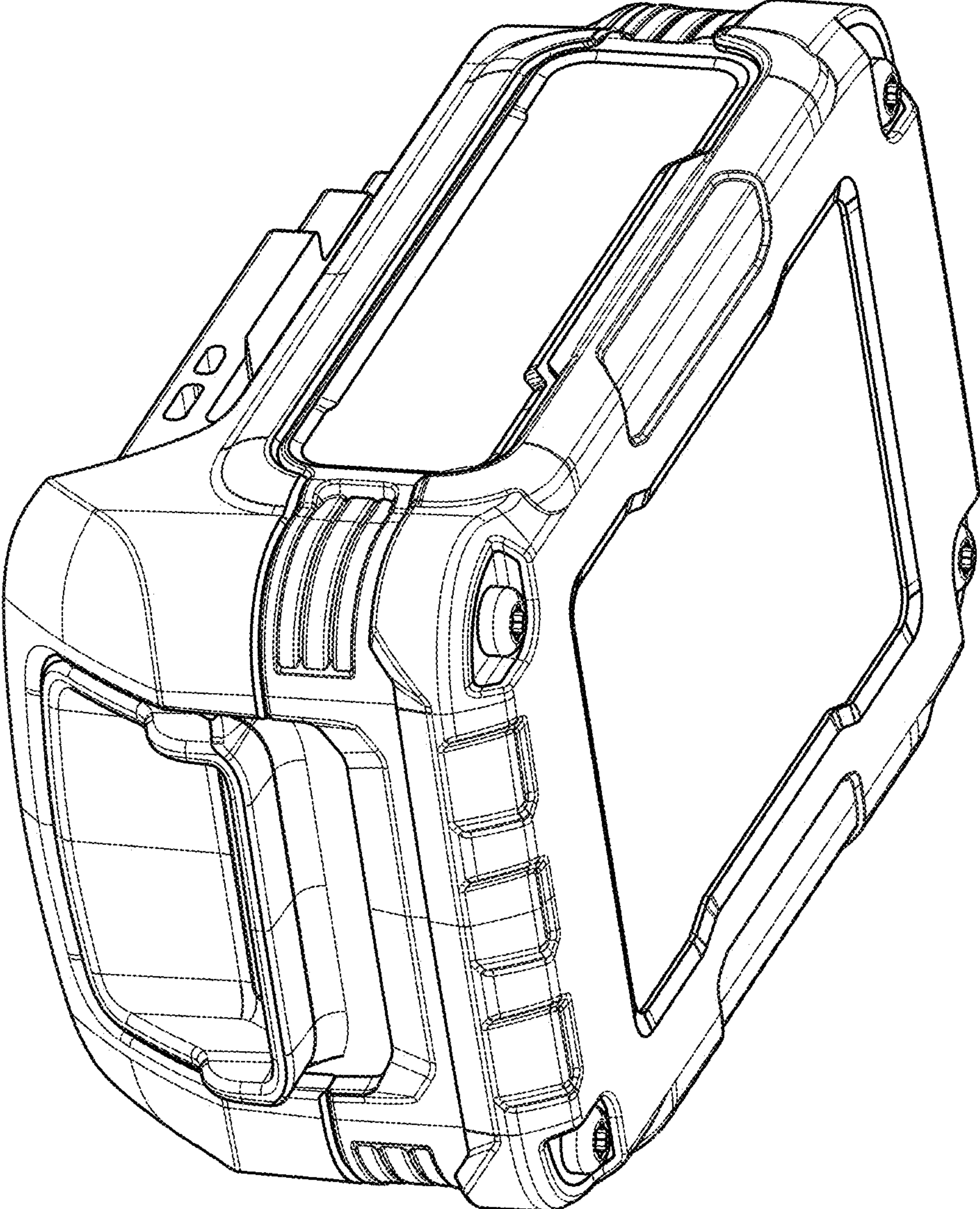


FIG. 11

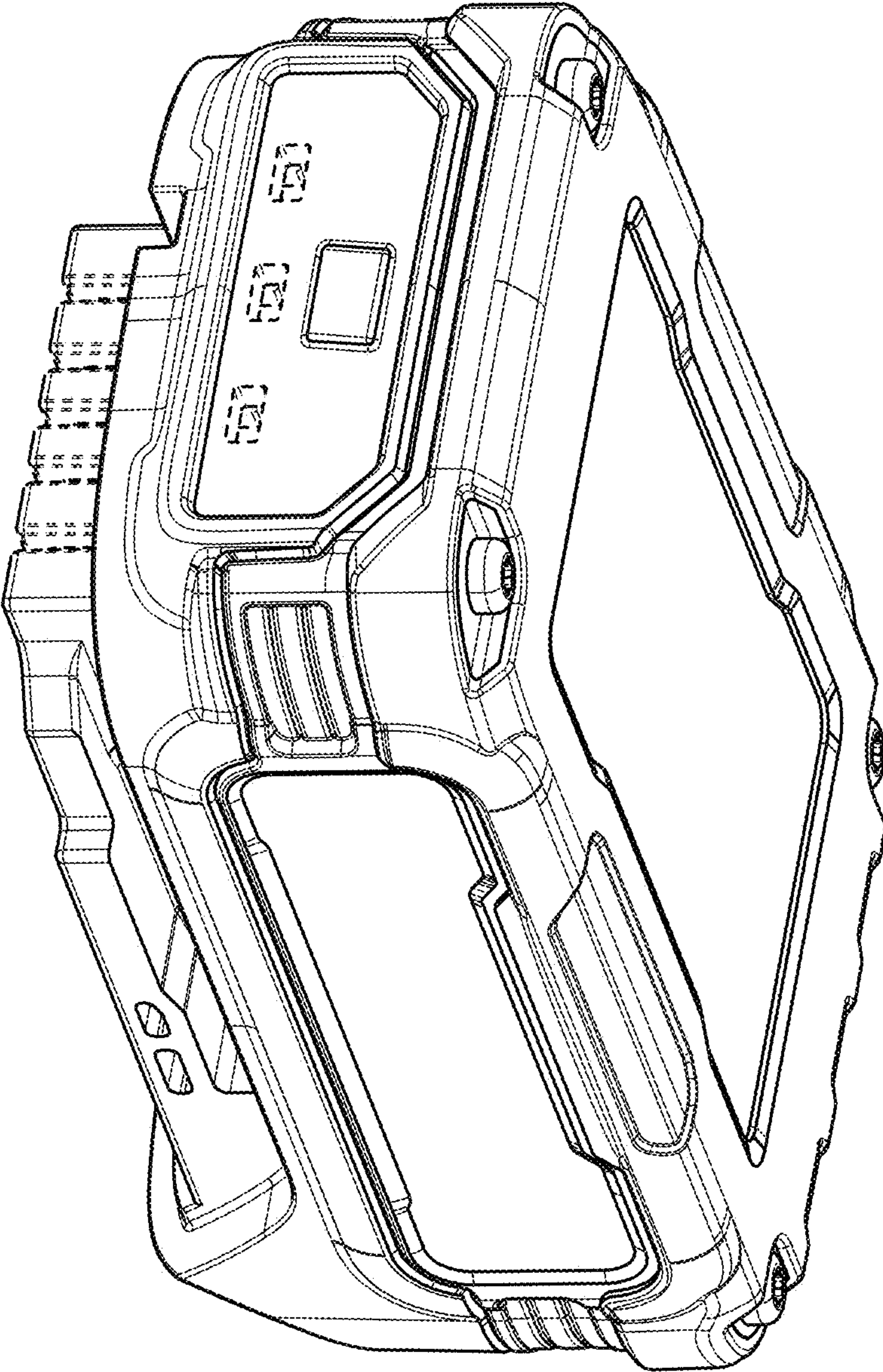


FIG. 12

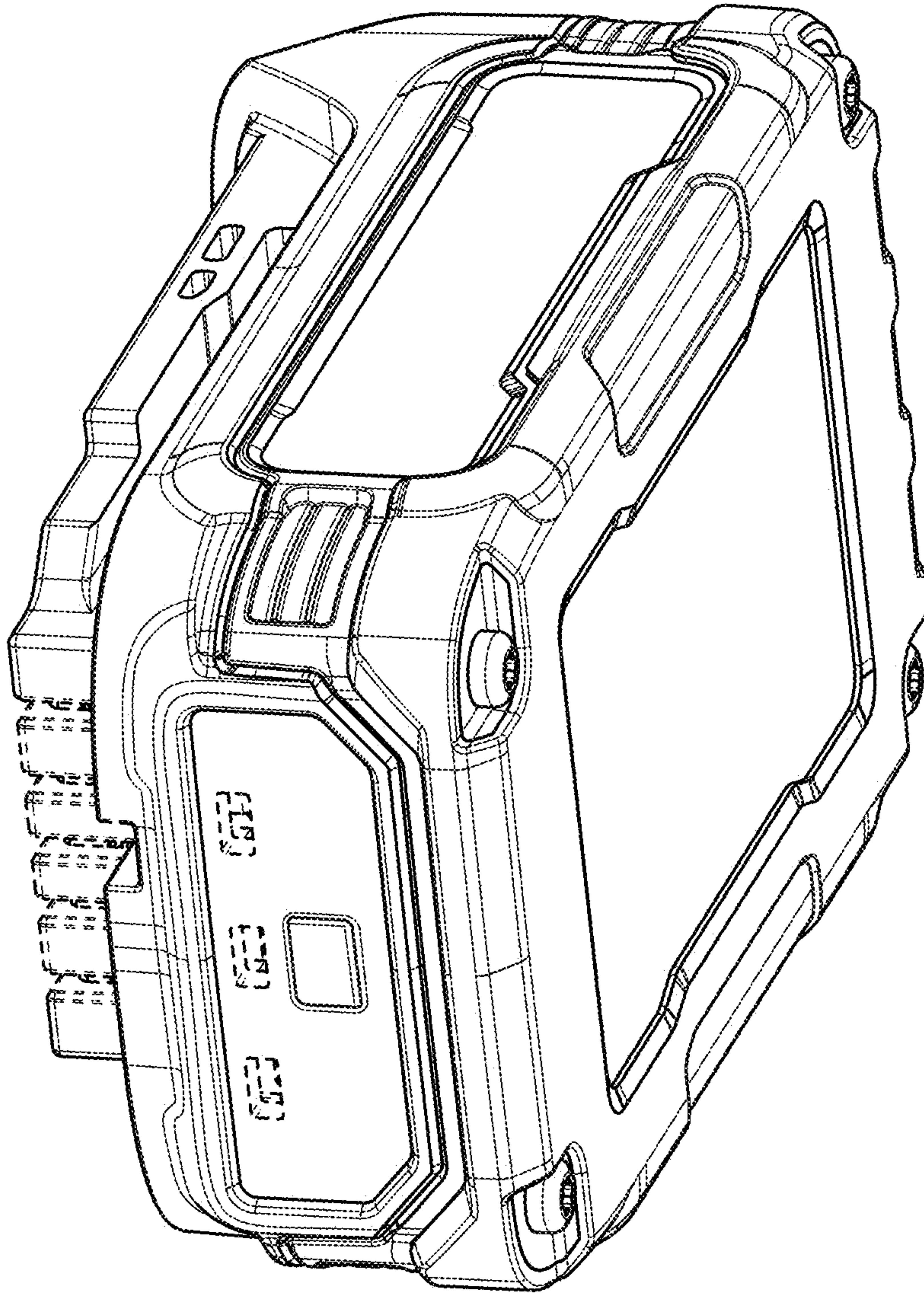


FIG. 13

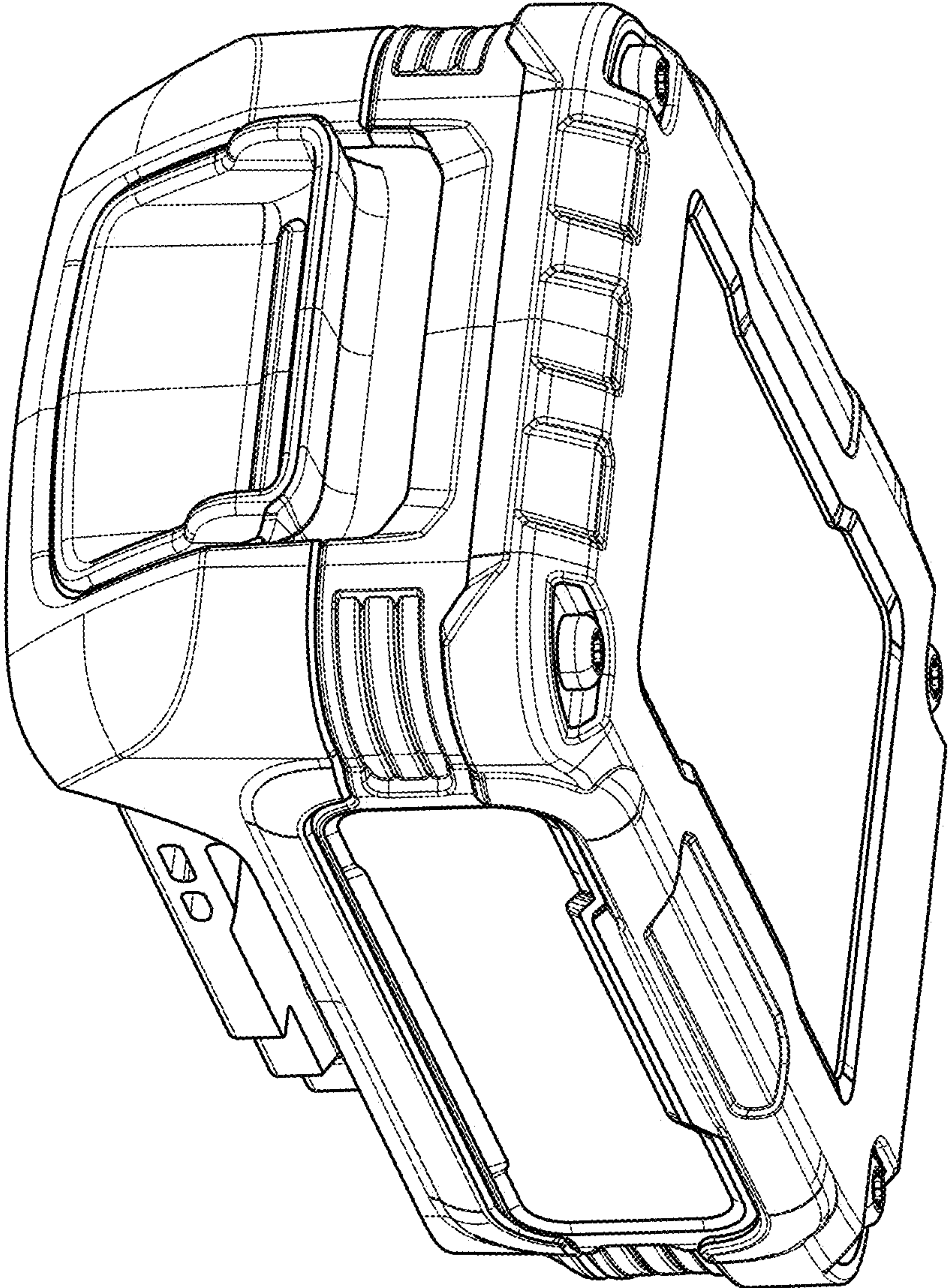


FIG. 14