



US00D988984S

(12) **United States Design Patent**  
**Osmola et al.**

(10) **Patent No.:** **US D988,984 S**

(45) **Date of Patent:** **\*\* Jun. 13, 2023**

(54) **BATTERY PACK**

(71) Applicant: **Walmart Apollo, LLC**, Bentonville, AR (US)

(72) Inventors: **Darius Z. Osmola**, Rogers, AR (US);  
**Tabatha M. Hunter**, Centerton, AR (US); **XiaoFei Yang**, Guangzhou (CN)

(73) Assignee: **Walmart Apollo, LLC**, Bentonville, AR (US)

(\*\*) Term: **15 Years**

(21) Appl. No.: **29/763,111**

(22) Filed: **Dec. 21, 2020**

**Related U.S. Application Data**

(62) Division of application No. 29/627,988, filed on Nov. 30, 2017, now Pat. No. Des. 958,061.

(51) **LOC (14) Cl.** ..... **13-02**

(52) **U.S. Cl.**  
USPC ..... **D13/103**

(58) **Field of Classification Search**  
USPC ..... D13/102–110, 118, 119, 153, 154, 184, D13/199

CPC ..... Y02E 60/10; Y02E 60/12; Y02E 60/122; Y02E 60/124; Y02E 60/50; H01M 2/02; H01M 2/022; H01M 2/0202; H01M 2/0207; H01M 2/0212; H01M 2/1061; H01M 2/1022; H01M 2/1055; H01M 2/1066; H01M 2/105; H01M 2/20; H01M 2/202; H01M 2/204; H01M 2/206; H01M 2200/30; H01M 2250/30; H01M 2250/40; H01M 10/44; H01M 10/46; H01M 10/465; H01M 10/482; H01M 10/4257; H01M 10/0436; H01M 10/48; H01M 10/6235; H02J 7/0034; H02J 7/0054; H02J 7/1423; H02J 7/00; H02J 7/0003; H02J 7/0011; H02J 7/0013;

(Continued)

(56) **References Cited**

U.S. PATENT DOCUMENTS

D477,811 S 7/2003 Niwa  
D481,672 S \* 11/2003 Niwa ..... D13/103  
D504,111 S ‡ 4/2005 Ozawa ..... D13/10  
(Continued)

FOREIGN PATENT DOCUMENTS

CA 179453 ‡ 10/2020  
CA 189201 ‡ 10/2020  
(Continued)

OTHER PUBLICATIONS

CIPO; App. No. 179453; Examiner's Report dated Oct. 3, 2018.  
(Continued)

*Primary Examiner* — Christy Nemeth

(74) *Attorney, Agent, or Firm* — Fitch Even Tabin & Flannery LLP

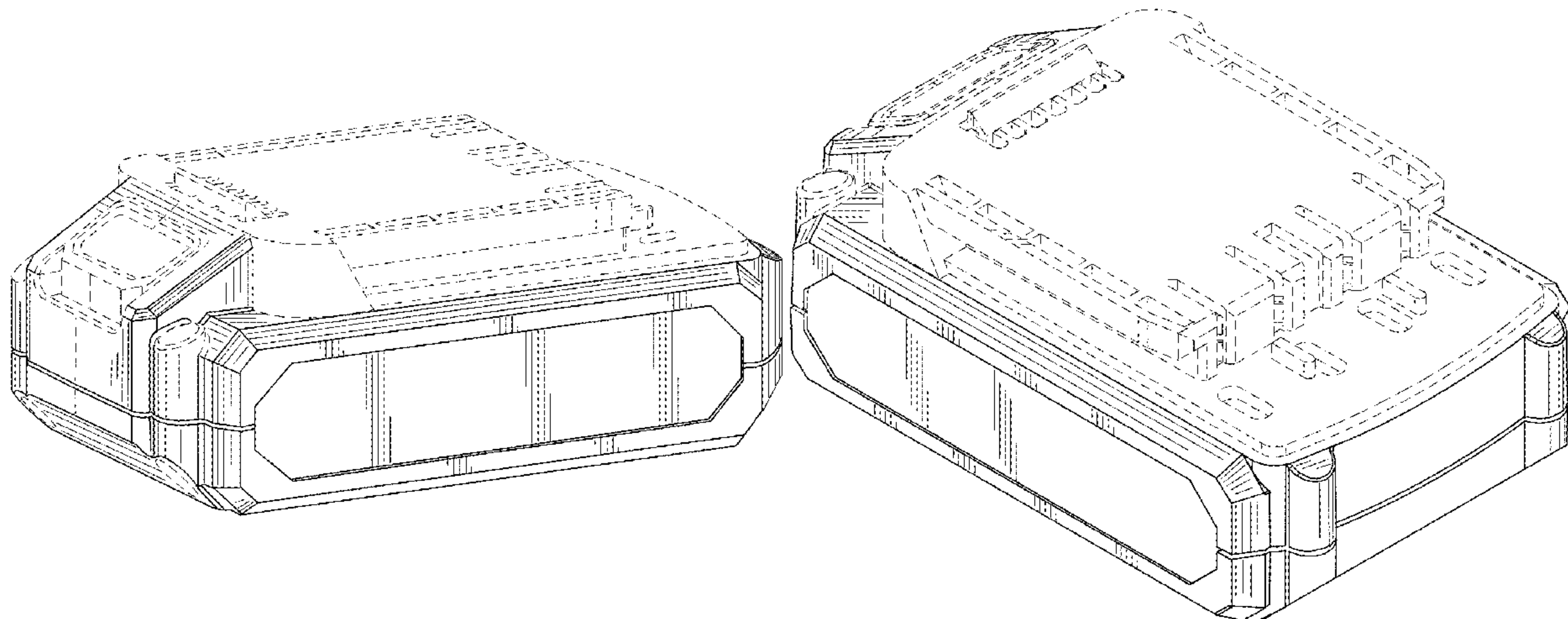
(57) **CLAIM**

The ornamental design for a battery pack, as shown and described.

**DESCRIPTION**

FIG. 1 is a top front perspective view of the battery pack according to our new design;  
FIG. 2 is a top plan view thereof;  
FIG. 3 is a left side elevation view thereof;  
FIG. 4 is a right side elevation view thereof;  
FIG. 5 is a bottom plan view thereof;  
FIG. 6 is a rear elevation view thereof;  
FIG. 7 is a front elevation view thereof; and,  
FIG. 8 is a top rear perspective view thereof.  
The broken lines depict portions of the battery pack that form no part of the claimed design.

**1 Claim, 4 Drawing Sheets**





# US D988,984 S

(58) **Field of Classification Search**  
 CPC ... H02J 7/0055; H02J 7/0057; Y02T 10/7005;  
 Y02T 10/705; Y02T 10/7088  
 See application file for complete search history.

(56) **References Cited**

U.S. PATENT DOCUMENTS

D504,394	S	*	4/2005	Cheung	.....	D13/103
D530,270	S	*	10/2006	Ozawa	.....	D13/103
D544,436	S	*	6/2007	Kawahara	.....	D13/103
D553,562	S	*	10/2007	Okada	.....	D13/103
D568,239	S	*	5/2008	Okada	.....	D13/103
D579,868	S	*	11/2008	Harrison	.....	D13/103
D588,986	S	*	3/2009	Zhang	.....	D13/110
D589,439	S	*	3/2009	Van Wambeke	.....	D13/103
D589,440	S	*	3/2009	Van Wambeke	.....	D13/103
D589,441	S	*	3/2009	Van Wambeke	.....	D13/103
D593,944	S	*	6/2009	Smith	.....	D13/119
D597,931	S		8/2009	Aglassinger		
D597,932	S		8/2009	Aglassinger		
D597,933	S	*	8/2009	Aglassinger	.....	D13/103
D597,934	S	*	8/2009	Aglassinger	.....	D13/103
D597,935	S	*	8/2009	Aglassinger	.....	D13/103
D598,373	S	*	8/2009	Aglassinger	.....	D13/103
D604,695	S	*	11/2009	Aglassinger	.....	D13/103
D606,935	S	*	12/2009	Murayama	.....	D13/103
D622,661	S	*	8/2010	Yamada	.....	D13/103
D633,036	S	*	2/2011	Murray	.....	D13/103
D639,730	S	*	6/2011	Kawase	.....	D13/103
D640,190	S	*	6/2011	Aglassinger	.....	D13/103
D640,196	S	*	6/2011	Shuang	.....	D13/103
D640,197	S	*	6/2011	Park	.....	D13/103
D640,628	S	*	6/2011	Lopano	.....	D13/103
D640,975	S	*	7/2011	Okuda	.....	D13/103
D643,809	S	*	8/2011	Okuda	.....	D13/103
D657,307	S		4/2012	Zhao		
D658,578	S	*	5/2012	Davis	.....	D13/103
D668,219	S	*	10/2012	Zhao	.....	D13/107
D679,651	S		4/2013	Stratford		
D680,064	S	*	4/2013	Tirone	.....	D13/103
D682,192	S	*	5/2013	Corbin	.....	D13/103
D682,193	S	*	5/2013	Corbin	.....	D13/103
D682,194	S	*	5/2013	Jiang	.....	D13/103
D684,528	S	*	6/2013	Murray	.....	D13/103
D685,730	S	*	7/2013	Hamm	.....	D13/103
D692,380	S	*	10/2013	Tirone	.....	D13/119
D699,180	S	*	2/2014	Sweere	.....	D13/103
D699,670	S		2/2014	Cooper		
D710,794	S	*	8/2014	Busschaert	.....	D13/103
D712,826	S	*	9/2014	Marino	.....	D13/103
D718,705	S	*	12/2014	Naksen	.....	D13/103
D770,377	S	*	11/2016	Kondo	.....	D13/103
D780,686	S	*	3/2017	Glasow	.....	D13/103
D780,687	S	*	3/2017	Taniguchi	.....	D13/103
D780,688	S	*	3/2017	Elder	.....	D13/103
D785,562	S	*	5/2017	Cooper	.....	D13/103
D797,661	S	*	9/2017	Elder	.....	D13/103
D800,650	S	*	10/2017	Itoh	.....	D13/103
D800,656	S	*	10/2017	Marino	.....	D13/119
D801,917	S	*	11/2017	Jiang	.....	D13/103
D801,919	S	*	11/2017	Elder	.....	D13/103
D803,777	S	*	11/2017	Burchard	.....	D13/103
D812,555	S	*	3/2018	Schoch	.....	D13/103
D818,947	S		5/2018	Laurino		
D818,948	S	*	5/2018	Waldron	.....	D13/103
D819,562	S	*	6/2018	Waldron	.....	D13/103
D826,149	S	*	8/2018	Cooper	.....	D13/103
D826,150	S	*	8/2018	Cayon	.....	D13/103
D841,572	S		2/2019	Gilpatrick		
D844,558	S	*	4/2019	Taniguchi	.....	D13/103
D849,681	S	*	5/2019	Howell	.....	D13/103
D853,961	S		7/2019	Kanarellis		
D856,275	S		8/2019	Laurino		
D856,921	S	*	8/2019	Lee	.....	D13/103
D858,432	S	*	9/2019	Altenburger	.....	D13/103
D862,382	S	*	10/2019	Altenburger	.....	D13/103

D867,279	S	*	11/2019	Altenburger	.....	D13/103
D876,340	S	*	2/2020	Song	.....	D13/103
D881,119	S	*	4/2020	Elder	.....	D13/103
D883,918	S		5/2020	Roberts		
D884,600	S	*	5/2020	Zhou	.....	D13/103
D884,601	S	*	5/2020	Zhou	.....	D13/103
D887,969	S	*	6/2020	Howell	.....	D13/103
D890,692	S	*	7/2020	Elder	.....	D13/103
D891,363	S	*	7/2020	Roberts	.....	D13/103
D893,409	S		8/2020	Stray		
D893,411	S	*	8/2020	Roberts	.....	D13/103
D893,413	S	*	8/2020	Grulke	.....	D13/103
D894,118	S	*	8/2020	Liu	.....	D13/103
D894,120	S	*	8/2020	Timm	.....	D13/103
D894,827	S	*	9/2020	Watson	.....	D13/103
D898,662	S	*	10/2020	Waldron	.....	D13/103
D902,147	S	*	11/2020	Stray	.....	D13/103
D909,290	S	*	2/2021	Hasenmayer	.....	D13/103
D911,267	S	*	2/2021	Matteo	.....	D13/103
D911,268	S	*	2/2021	Matteo	.....	D13/103
D911,269	S	*	2/2021	Matteo	.....	D13/103
D911,922	S	*	3/2021	Watson	.....	D13/103
D911,931	S	*	3/2021	Li	.....	D13/103
D919,560	S	*	5/2021	Taniguchi	.....	D13/103
D922,939	S	*	6/2021	Ye	.....	D13/103
D922,940	S	*	6/2021	Ye	.....	D13/103
D924,791	S	*	7/2021	Yrad, Jr.	.....	D13/103
D924,793	S	*	7/2021	Qiu	.....	D13/103
D924,794	S	*	7/2021	Kuang	.....	D13/103
D924,795	S	*	7/2021	Zhong	.....	D13/103
D925,442	S	*	7/2021	Howell	.....	D13/103
D926,674	S	*	8/2021	Willey	.....	D13/103
D929,316	S	*	8/2021	Azuma	.....	D13/103
D931,199	S	*	9/2021	Gallagher	.....	D13/103
D931,801	S	*	9/2021	Timm	.....	D13/103
11,126,804	B2	*	9/2021	Huggins	.....	H05K 5/0017
D935,390	S	*	11/2021	Kumarswamy	.....	D13/103
D935,996	S	*	11/2021	Okuda	.....	D13/103
D936,580	S	*	11/2021	Li	.....	D13/108
D937,760	S	*	12/2021	Chandrasekharan	.....	D13/103
D937,761	S	*	12/2021	Chandrasekharan	.....	D13/103
D940,648	S	*	1/2022	Taylor	.....	D13/103
D946,504	S	*	3/2022	Qiu	.....	D13/103
D951,860	S	*	5/2022	Forsberg	.....	D13/103
D952,554	S	*	5/2022	Xu	.....	D13/103
D956,682	S	*	7/2022	Roberts	.....	D13/103
D958,061	S	*	7/2022	Osmola	.....	D13/103
2005/0058890	A1	‡	3/2005	Brazell	.....	H01M 50/213 429/99
2008/0238370	A1	‡	10/2008	Carrier	.....	H02J 7/00036 320/13
2013/0089764	A1		4/2013	Melnyk		
2013/0136965	A1		5/2013	Nakano		
2013/0330576	A1		12/2013	Kolden		
2016/0072106	A1	*	3/2016	Baumgartner	.....	H02J 7/00 320/113
2016/0240901	A1	*	8/2016	Kondo	.....	H01M 10/6235
2016/0241065	A1	*	8/2016	Kondo	.....	H01M 50/20
2016/0322842	A1		11/2016	Sorhage		
2017/0012272	A1	*	1/2017	Naito	.....	H01R 33/765
2018/0069208	A1	*	3/2018	Rejman	.....	H01M 50/24
2018/0198101	A1	*	7/2018	Sheeks	.....	H02J 7/0091
2018/0198292	A1	*	7/2018	Lee	.....	H01M 10/46
2018/0198293	A1	*	7/2018	Osborne	.....	H01M 10/441
2018/0198294	A1		7/2018	Sheeks		
2019/0280501	A1	*	9/2019	Kondo	.....	H02J 7/007194
2019/0312242	A1	*	10/2019	Barton	.....	B25F 5/02
2020/0127339	A1	*	4/2020	Nakano	.....	H01M 50/247
2020/0176731	A1	*	6/2020	Taga	.....	H01M 10/482
2020/0176827	A1		6/2020	Mao		
2020/0212409	A1		7/2020	Bantel		
2020/0212505	A1		7/2020	Nakano		
2020/0227695	A1	*	7/2020	Jones	.....	H01M 10/4257
2020/0321576	A1	*	10/2020	Nagahama	.....	H01M 50/20
2020/0350635	A1	*	11/2020	Counts	.....	H01M 50/54
2020/0395641	A1	*	12/2020	Suzuki	.....	H01M 10/0463
2021/0083237	A1	*	3/2021	Cherry	.....	B25F 5/02



(56)

References Cited

U.S. PATENT DOCUMENTS

2021/0143506 A1\* 5/2021 Bhuiyan ..... H01M 50/24  
 2021/0305661 A1\* 9/2021 Gyoda ..... H01M 10/486  
 2021/0328280 A1\* 10/2021 Cruise ..... H01M 50/284

FOREIGN PATENT DOCUMENTS

CA	189202	†	10/2020
CN	2017303339498	†	7/2017
CN	206952931	†	2/2018
EM	0014668740001	†	1/2018
EM	0014668740002	†	1/2018
EM	0046826230001	†	1/2018
EM	0046826230002	†	1/2018
EM	0046826230003	†	1/2018
EM	0046826230005	†	1/2018
EM	0046826230006	†	1/2018
EM	0046826230007	†	1/2018
EM	0046826230009	†	1/2018
EM	0046826230010	†	1/2018
EM	0046826230011	†	1/2018

OTHER PUBLICATIONS

CIPO; App. No. 179453; Notice of Delay of Registration in Effect dated Feb. 11, 2019.  
 CIPO; App. No. 189201; Examination Report dated Oct. 10, 2019.  
 EUIPO; App. No. EM004682623; Examination Report dated Feb. 1, 2018.  
 EUIPO; App. No. EM004682623; Examination Report dated Apr. 18, 2018.  
 EUIPO; App. No. EM004682623; Examination Report dated May 2, 2018.  
 EUIPO; App. No. EM004682623; Examination Report dated Jun. 21, 2018.  
 EUIPO; App. No. EM004682623; Examination Report dated Sep. 7, 2018.  
 IMPI; App. No. MX/f/2018/000303; Office Action dated Jul. 17, 2020.  
 U.S. Appl. No. 29/627,988, filed Nov. 30, 2017.  
 U.S. Appl. No. 29/763,616, filed Dec. 23, 2020.  
 U.S. Appl. No. 29/627,988; Non-Final Office Action dated Sep. 15, 2020.  
 U.S. Appl. No. 29/627,988; Restriction Requirement dated Jun. 22, 2020.  
 Walmart.com: Hyper Tough HT Charge 20-Volt 2.0-Amp Lithium-ion Power Tool Battery, AQ90051 G. Review date of Apr. 3, 2019. Retrieved from the internet at <<https://www.walmart.com/ip/Hyper-Tough-HT-Charge-20-Volt-2-0-Amp-Lithium-ion-Power-Tool-Battery-AQ90051-G/251480733>>, Sep. 12, 2020. 1 page.

18V Compact Lithium+ Battery, Model: #P107, Ryobi, <<http://web.archive.org/web/20150906071636/https://www.ryobitools.com/power-tools/products/details/532>>, believed to be publicly available at least as of Sep. 6, 2015, 7 pages.  
 20V Max Compact Battery with Bluetooth, Model DCB203BT, Dewalt, <<http://web.archive.org/web/20160612084318/http://www.dewalt.com/en-us/products/accessories/batteries-and-chargers/batteries/20v-max-compact-battery-with-bluetooth/dcb203bt>>, believed to be publicly available at least as of Jun. 11, 2016, 4 pages.  
 20V Max\* 1.5 Ah Lithium Ion Battery, Model No. LBR20, Black + Decker, <<https://web.archive.org/web/20170901001009if/http://www.blackanddecker.com/en-us/products/batteries-and-accessories/batteries-and-chargers/batteries/20v-max-15-ah-lithium-ion-battery/lbr20>>, believed to be publicly available at least as of Sep. 1, 2017, 3 pages.  
 20V Max\* Premium XR 5.0AH Lithium Ion 2-Pack, Model DCB205-2, Dewalt, <<http://web.archive.org/web/20160611123051/http://www.dewalt.com/en-us/products/accessories/batteries-and-chargers/batteries/20v-max-premium-xr-50ah-lithium-ion-2-pack/dcb205-2>>, believed to be publicly available at least as of Jun. 11, 2016, 3 pages.  
 Chicago Electric Power Tools, 18 Volt ½ in. Cordless Variable Speed Drill/Driver, <<https://web.archive.org/web/20161225062230/http://www.harborfreight.com/18-Volt-12-in-Cordless-Variable-Speed-DrillDriver-62427.html>>, believed to be publicly available at least as of Dec. 25, 2016, 2 pages (enlarged image provided on last page).  
 Harbor Freight Tools Flyer of 18 Volt ¾ in. Cordless Drill/Driver and Flashlight Kit, <<https://web.archive.org/web/20170630043850/https://www.harborfreight.com/>>, believed to be publicly available at least as of Jun. 30, 2017, 7 pages (enlarged image provided on last page).  
 Harbor Freight Tools Flyer of Earthquake XT (Model EQ12XT-20V) Beats Snap-on (Model CT8850WB), <<https://web.archive.org/web/20170630043850/https://www.harborfreight.com/>>, believed to be publicly available at least as of Jun. 30, 2017, 7 pages (enlarged image provided on last page).  
 Harbor Freight Tools Flyer of Hercules (Model HC91K1) Beats Dewalt (Model DCD780C2), <<https://web.archive.org/web/20170630043850/https://www.harborfreight.com/>>, believed to be publicly available at least as of Jun. 30, 2017, 7 pages (enlarged image provided on last page).  
 Hercules, 20v Lithium Power Tool, <<https://web.archive.org/web/20170701075424/https://www.harborfreight.com/power-tools.html>>, believed to be publicly available at least as of Jul. 1, 2017, 35 pages (enlarged image provided on last page).  
 U.S. Appl. No. 29/627,988; Notice of Allowance dated Apr. 26, 2021; (7 pages).  
 U.S. Appl. No. 29/627,988; Notice of Allowance dated Nov. 29, 2021; (5 pages).  
 U.S. Appl. No. 29/627,988; Notice of Allowance dated Mar. 9, 2022; (13 pages).  
 U.S. Appl. No. 29/763,616; Office Action dated Feb. 14, 2022.

\* cited by examiner  
 ‡ imported from a related application

FIG. 1

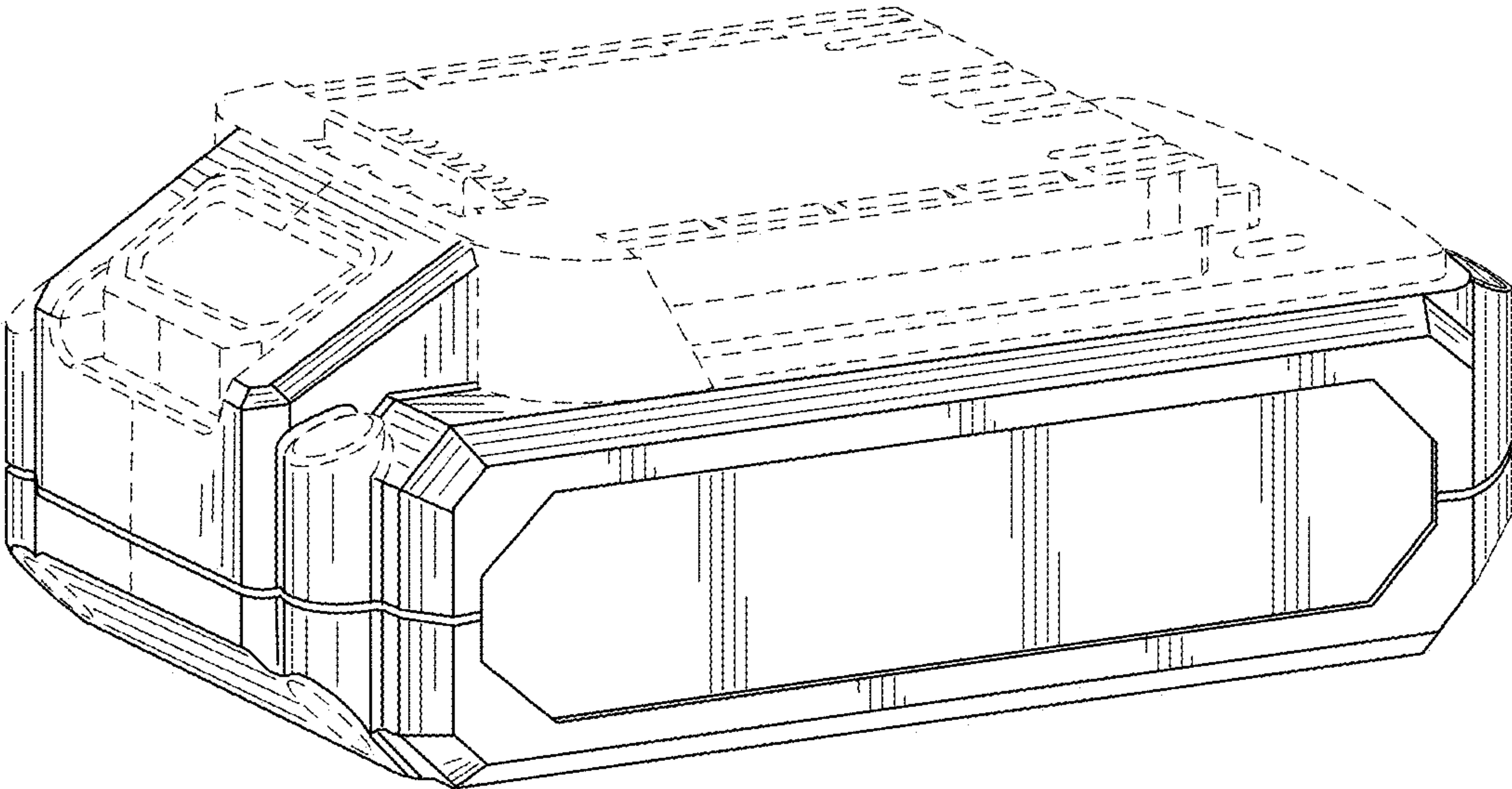


FIG. 2

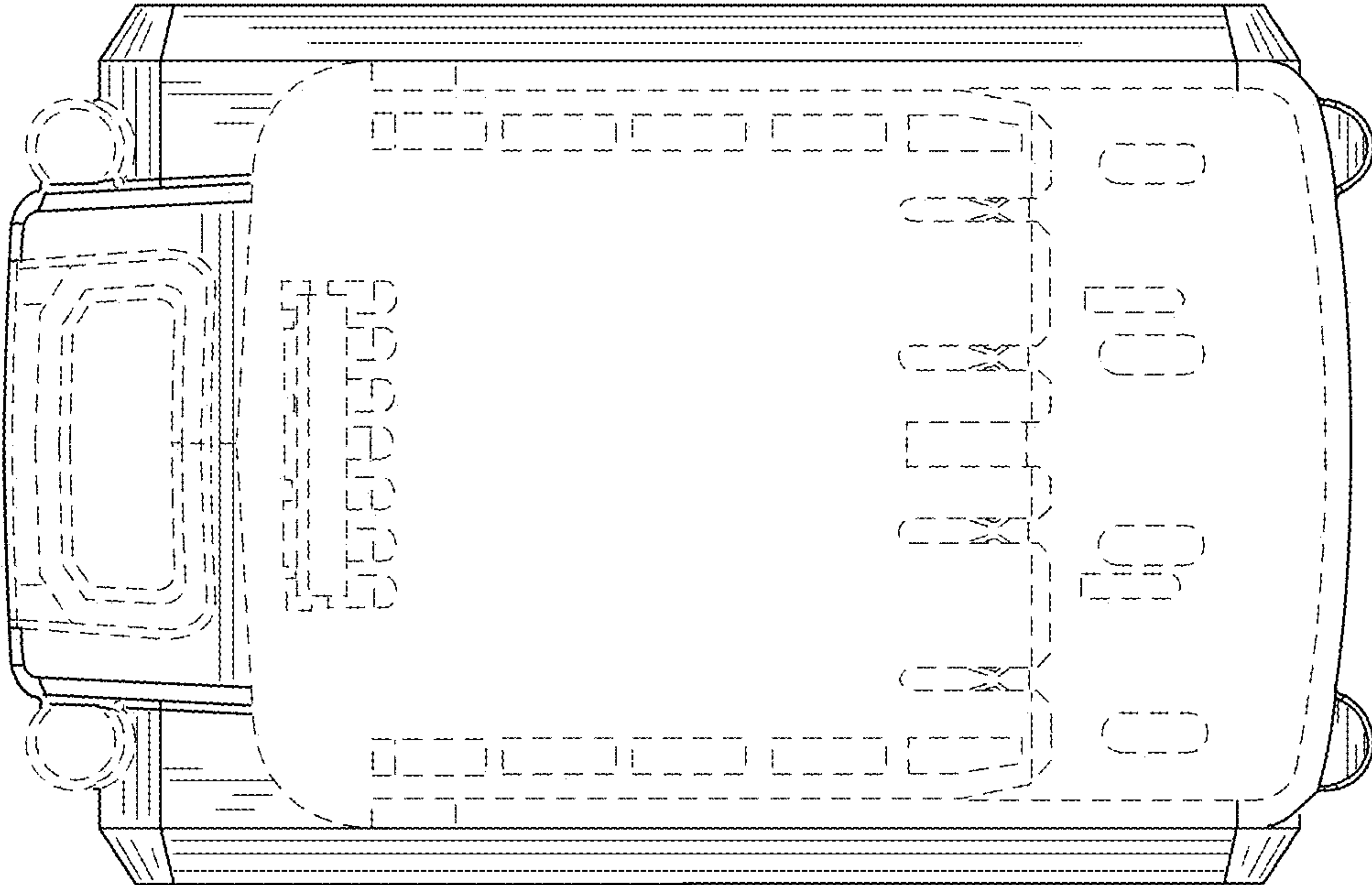




FIG. 3

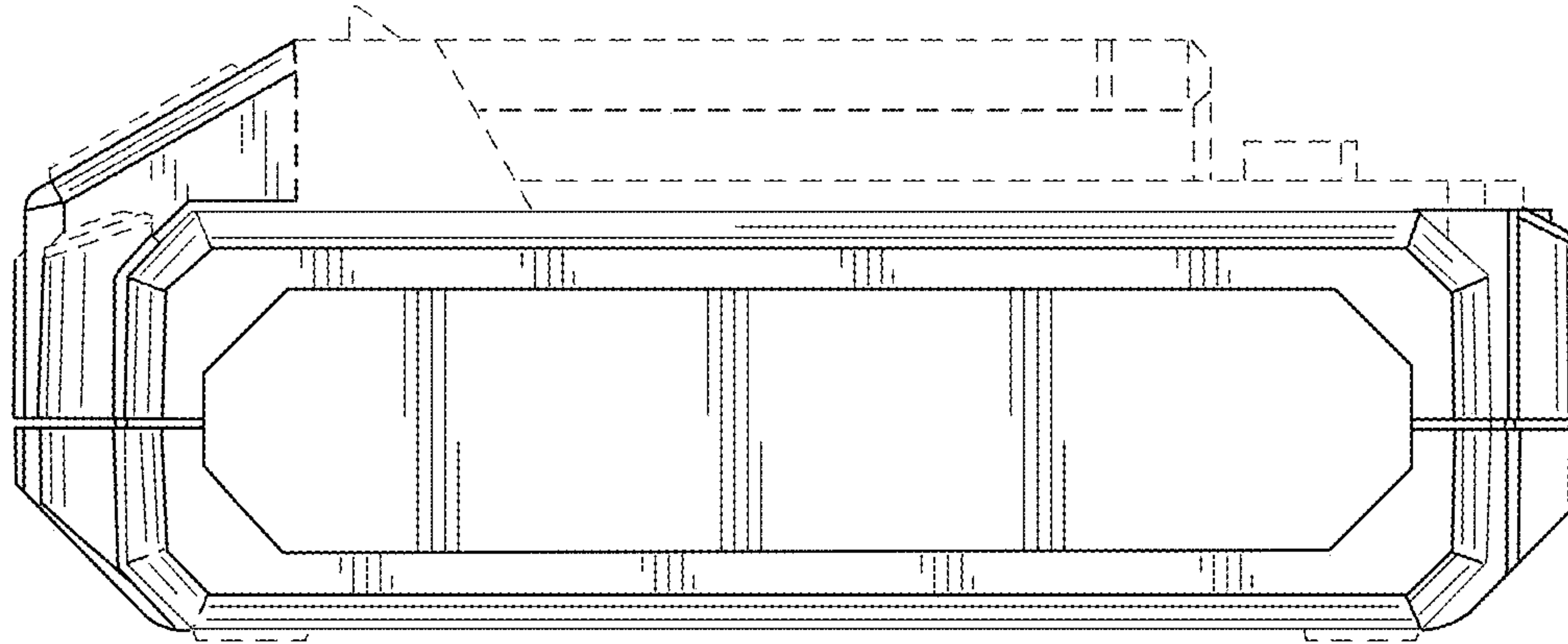


FIG. 4

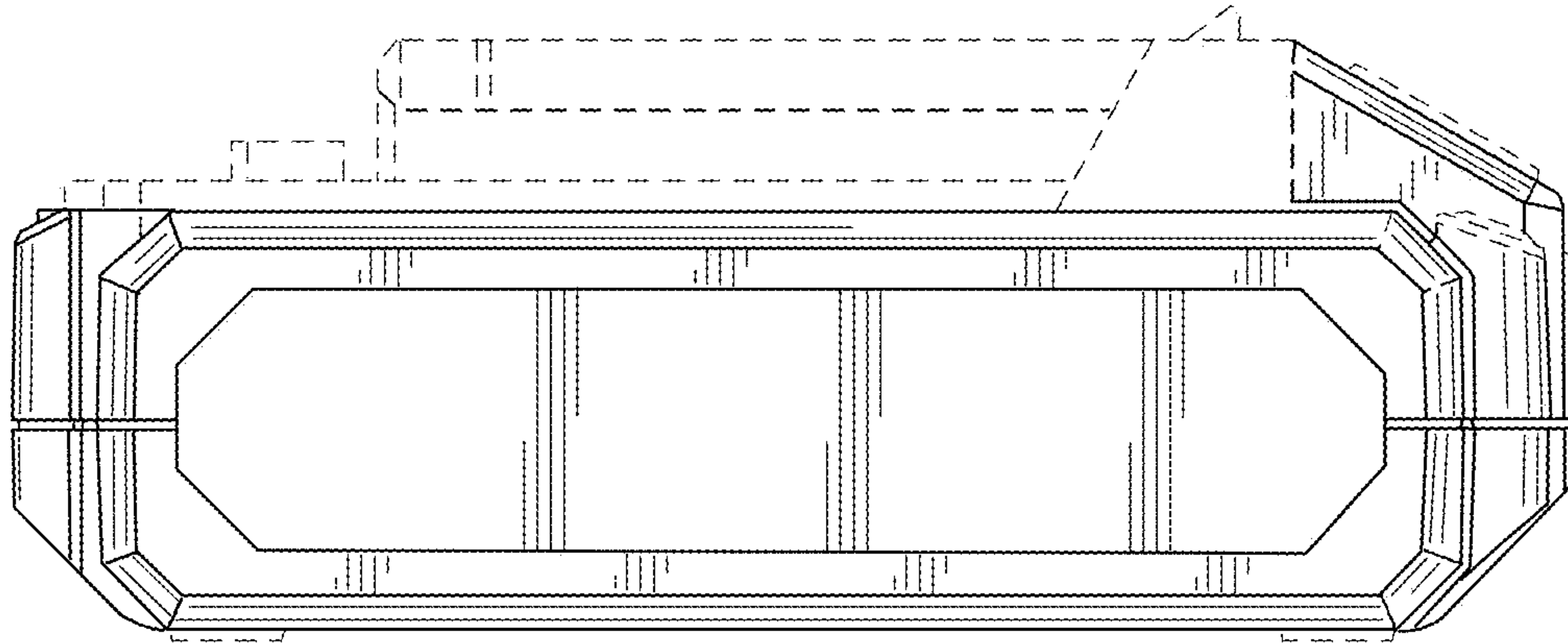


FIG. 5

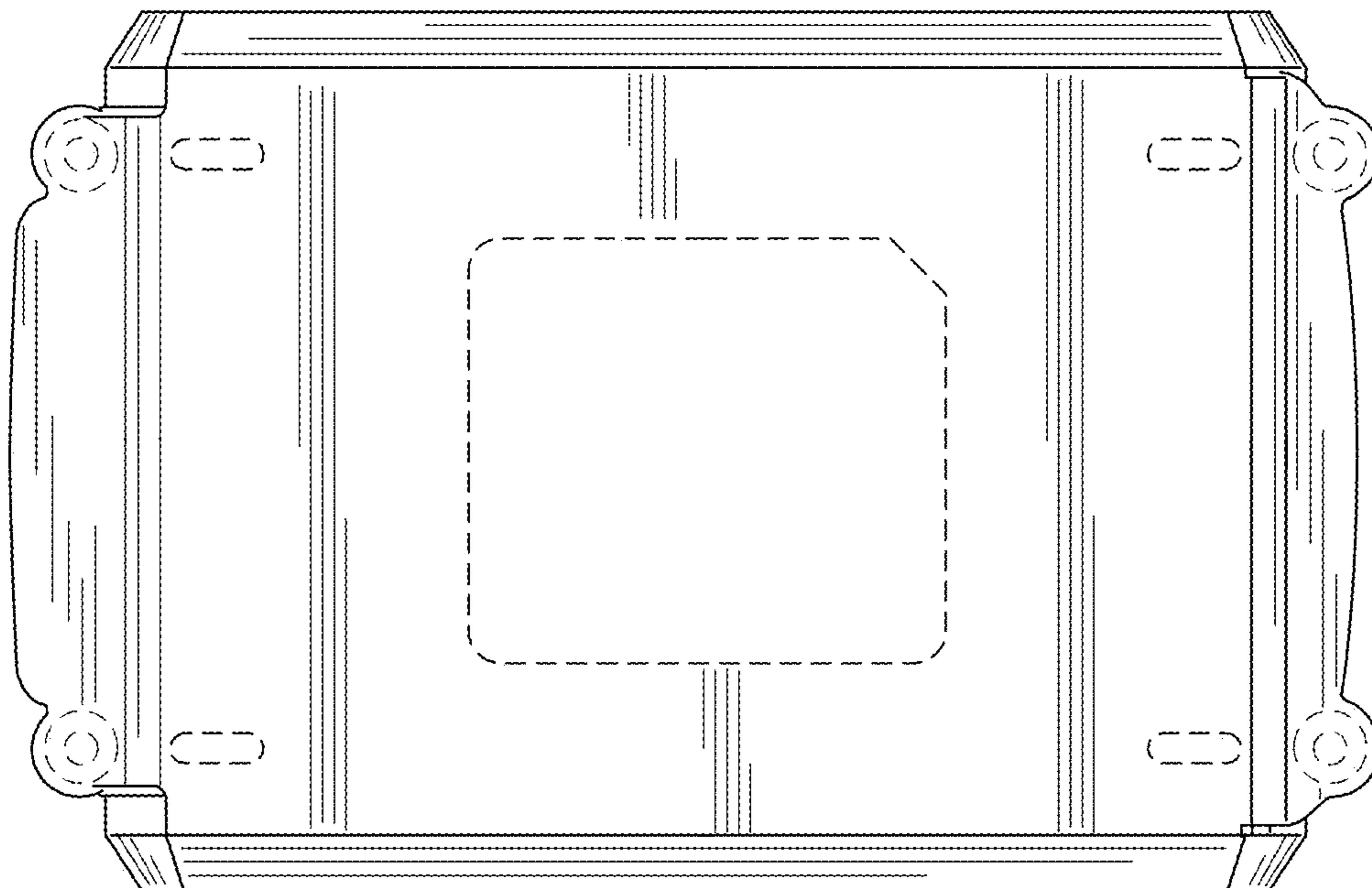


FIG. 6

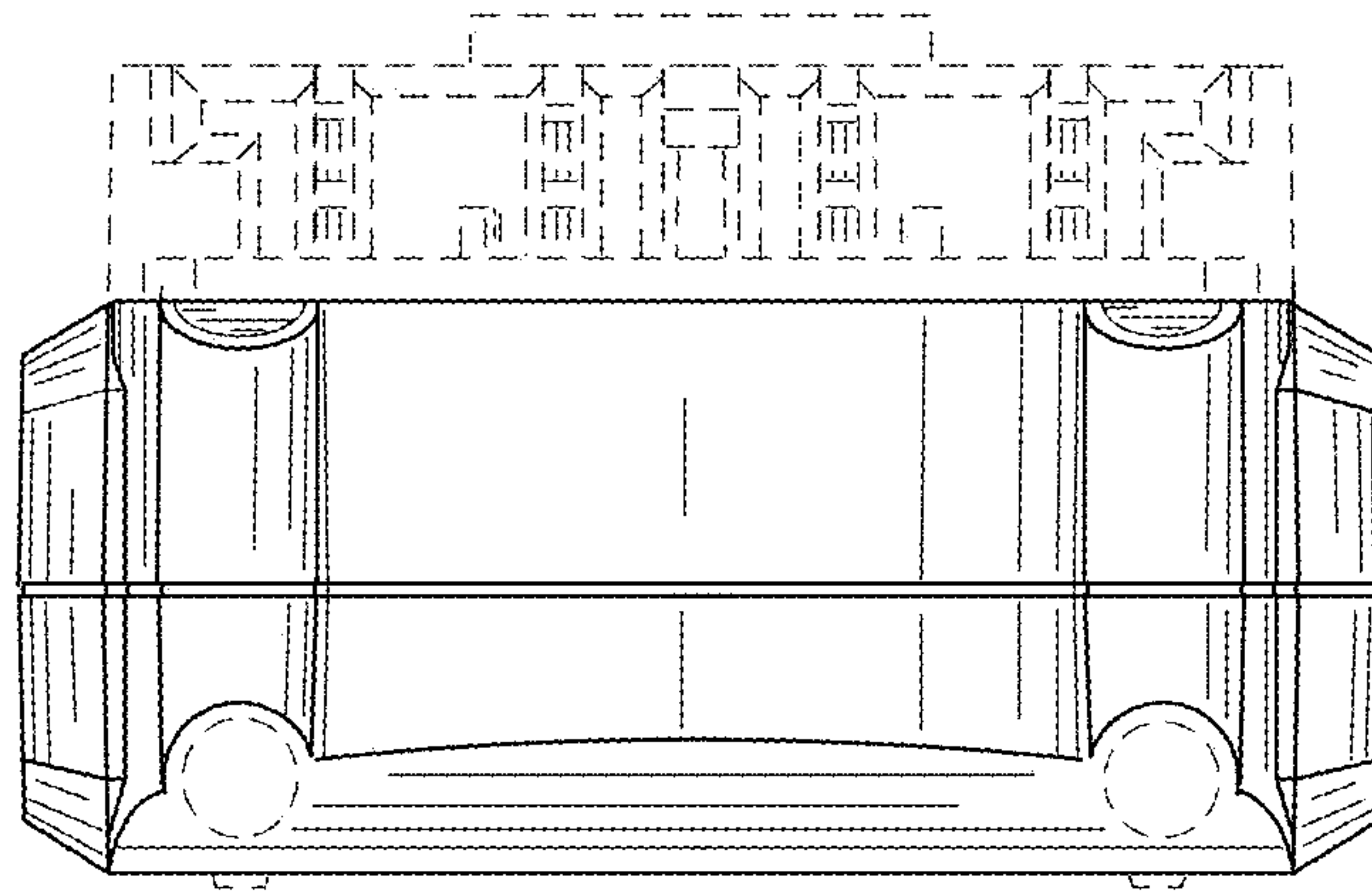


FIG. 7

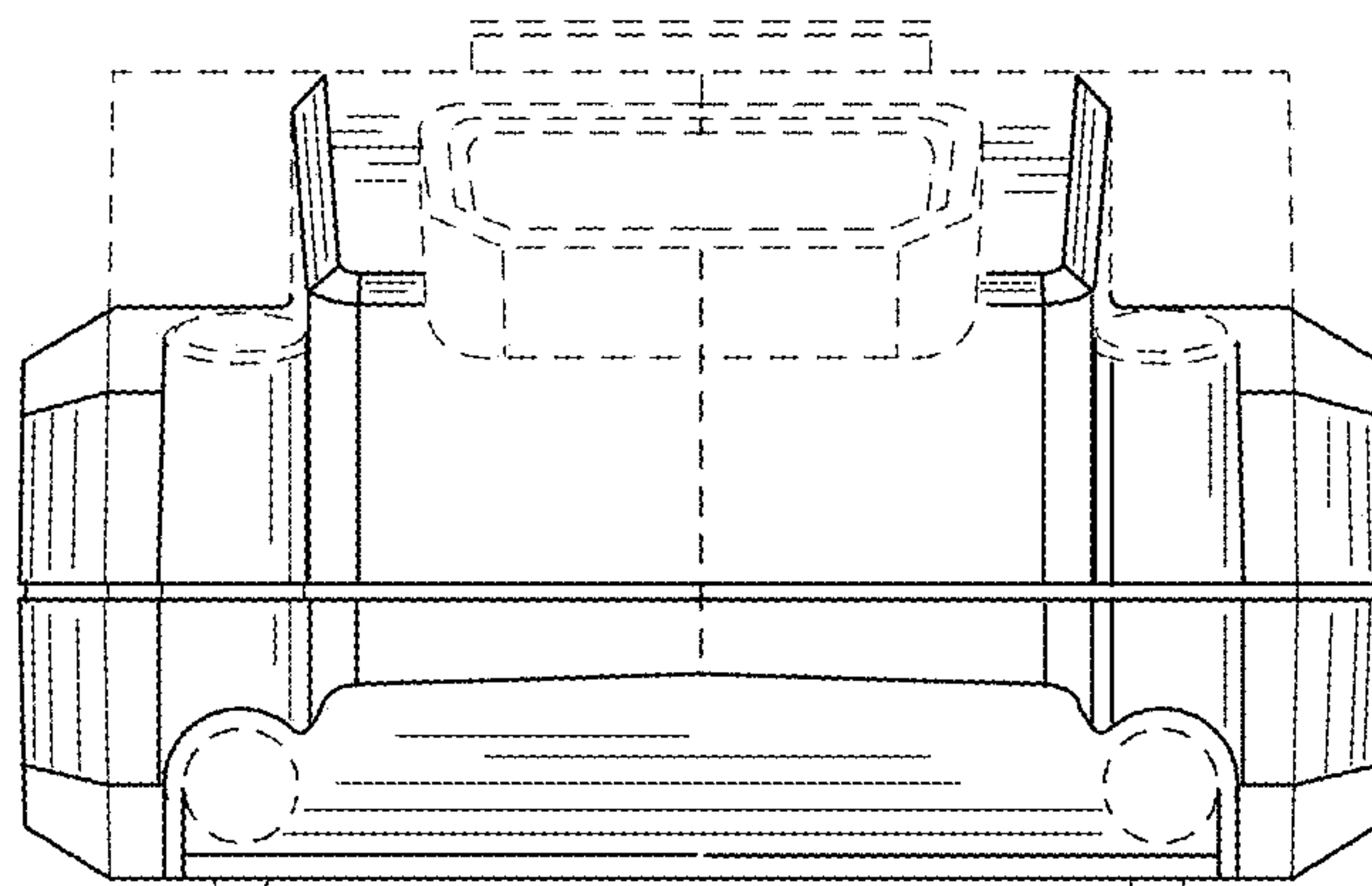


FIG. 8

