



US00D988983S

(12) **United States Design Patent**  
**Lin**

(10) **Patent No.:** **US D988,983 S**

(45) **Date of Patent:** **\*\* Jun. 13, 2023**

- (54) **EARBUD CHARGING CASE**
- (71) Applicant: **Shenzhen Worgo Technology Limited.**, Guangdong (CN)
- (72) Inventor: **Qi Lin**, Guangdong (CN)
- (73) Assignee: **Shenzhen Worgo Technology Limited.**, Shenzhen (CN)
- (\*\*) Term: **15 Years**
- (21) Appl. No.: **29/750,916**
- (22) Filed: **Sep. 17, 2020**
- (51) **LOC (14) Cl.** ..... **13-02**
- (52) **U.S. Cl.**  
USPC ..... **D13/108**
- (58) **Field of Classification Search**  
USPC ..... D13/107–110, 118–119, 184; D14/251, D14/253, 432, 434  
CPC ..... Y02T 90/14; H02J 7/025; H02J 7/0042; H02J 7/0044; H02J 7/0045; H02J 7/0003; H01F 38/14; H01R 13/6675; H01M 10/44; H01M 10/46; H01M 10/425  
See application file for complete search history.

D846,264 S *	4/2019	Wu	.....	D3/201
D864,110 S *	10/2019	Yoshimura	.....	D3/294
D870,451 S *	12/2019	Birger	.....	D14/223
D886,454 S *	6/2020	Williamson	.....	D3/294
D886,455 S *	6/2020	Williamson	.....	D3/294
D906,238 S *	12/2020	Zhang	.....	D13/108
D908,084 S *	1/2021	He	.....	D3/294
D930,361 S *	9/2021	Jacobs	.....	D3/294
D933,004 S *	10/2021	Li	.....	D3/294
D957,328 S *	7/2022	Lin	.....	D3/294
D959,368 S *	8/2022	Ando	.....	D13/108

\* cited by examiner

*Primary Examiner* — Nathaniel D. Buckner

(57) **CLAIM**

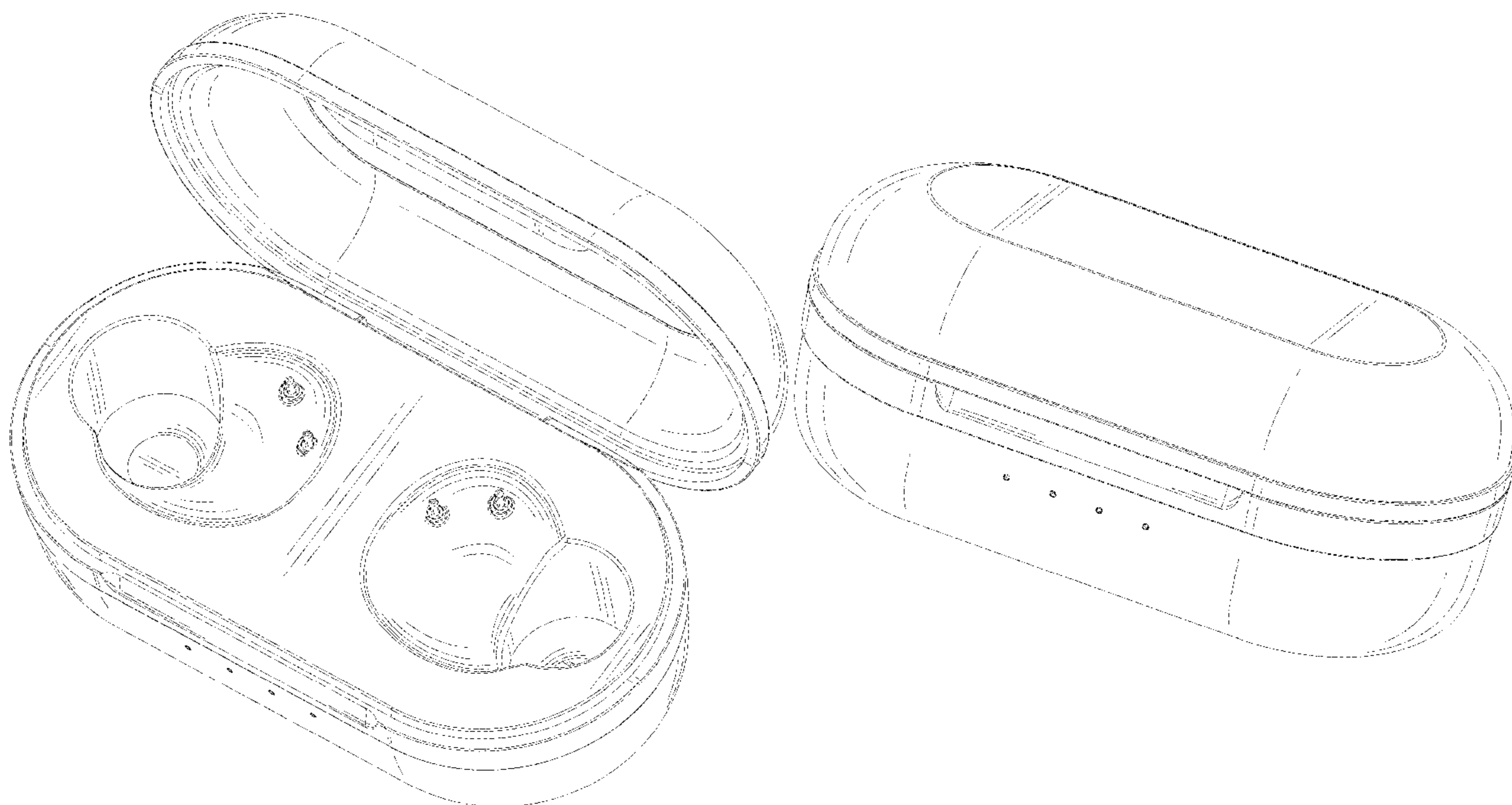
The ornamental design for an earbud charging case, as shown and described.

**DESCRIPTION**

FIG. 1 is a perspective view of an earbud charging case showing my new design;  
 FIG. 2 is another perspective view thereof;  
 FIG. 3 is a front elevation view thereof;  
 FIG. 4 is a back elevation view thereof;  
 FIG. 5 is a left side view thereof;  
 FIG. 6 is a right side view thereof;  
 FIG. 7 is a top plan view thereof;  
 FIG. 8 is a bottom plan view thereof; and,  
 FIG. 9 is a state diagram when a cover is closed.  
 The broken lines in the drawing depict environmental subject matter only and form no part of the claimed design.

- (56) **References Cited**  
U.S. PATENT DOCUMENTS  
D838,480 S \* 1/2019 Son ..... D3/294  
D841,580 S \* 2/2019 Bao ..... D13/108

**1 Claim, 9 Drawing Sheets**



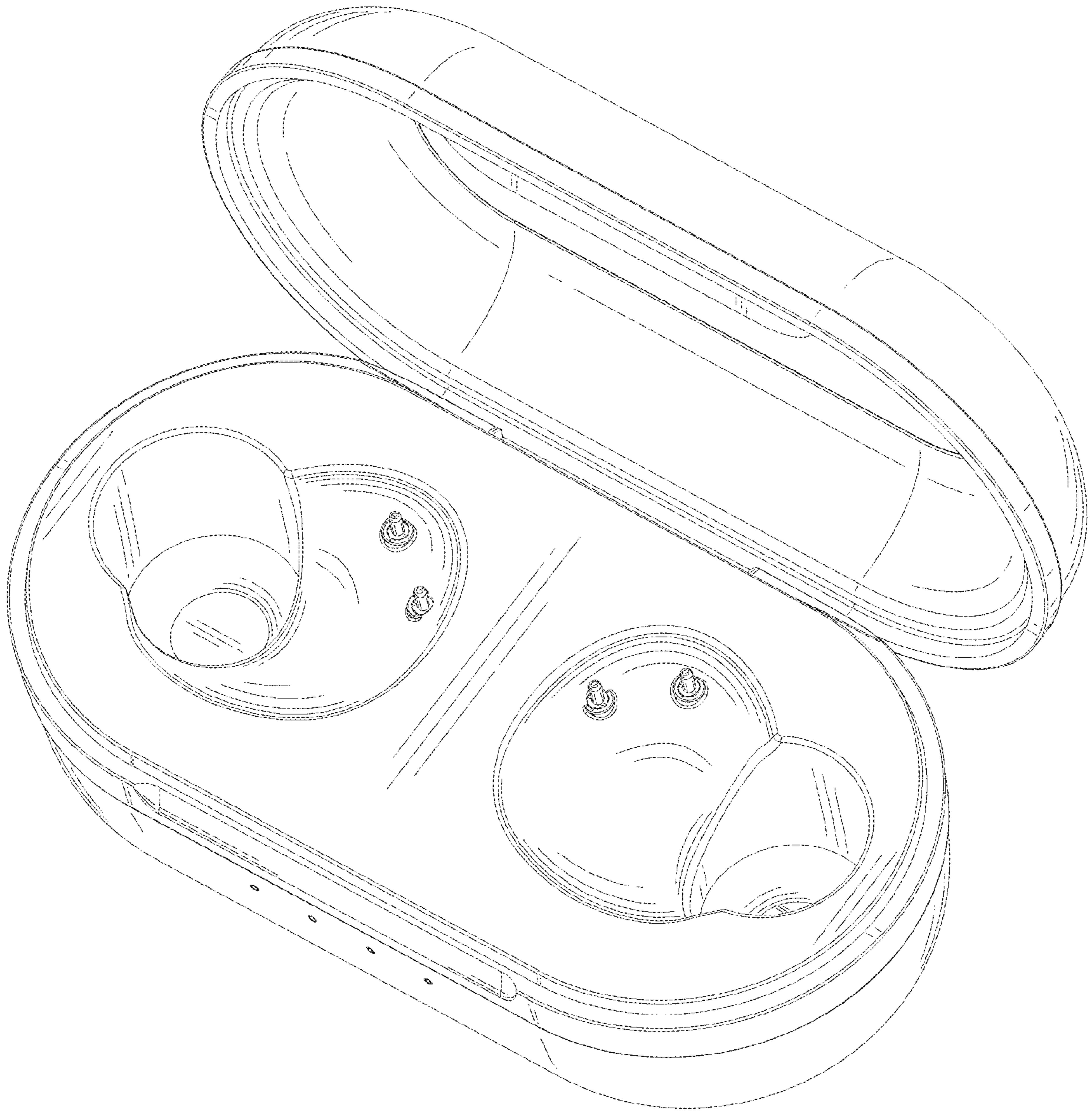


FIG. 1

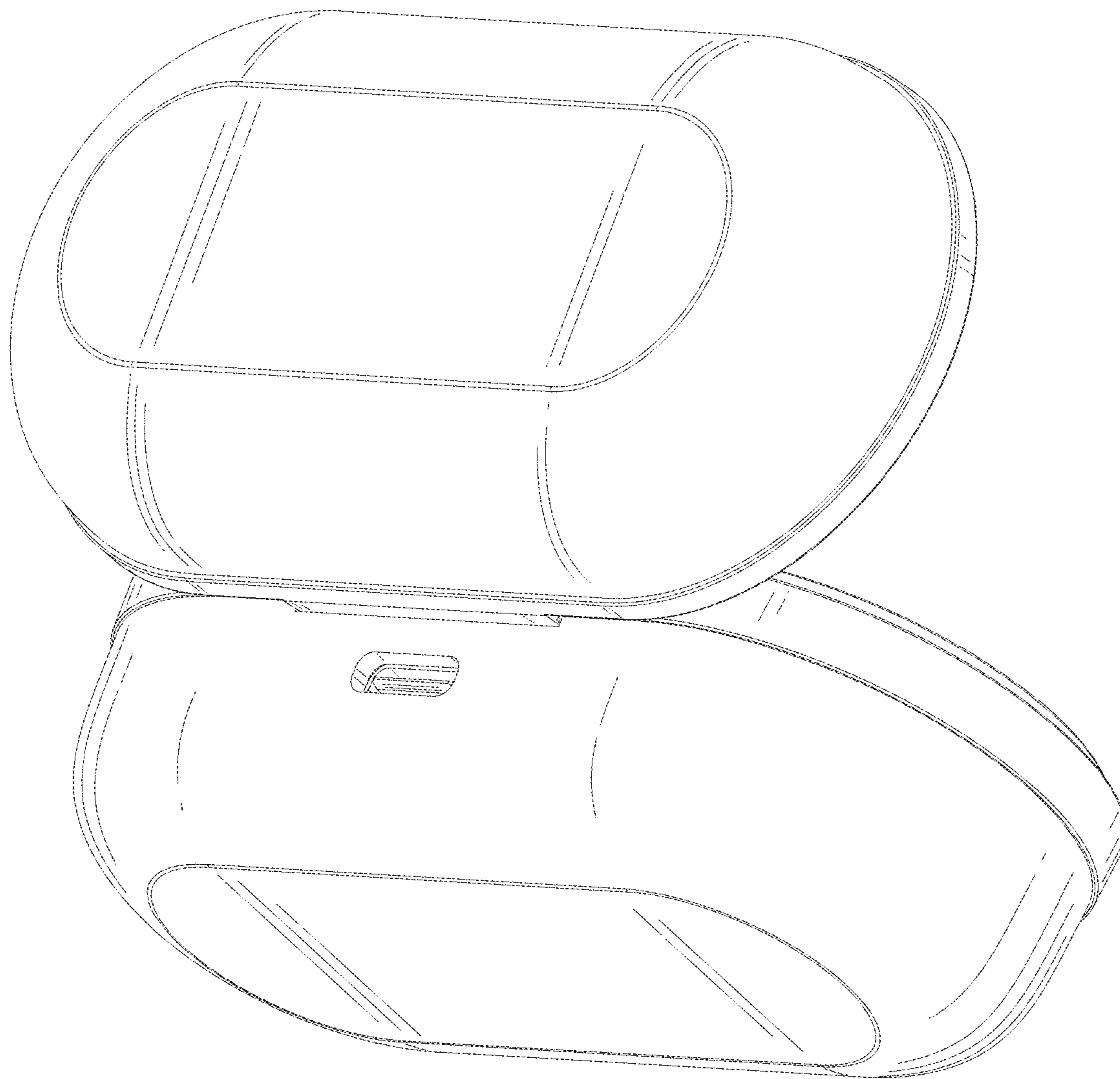


FIG. 2

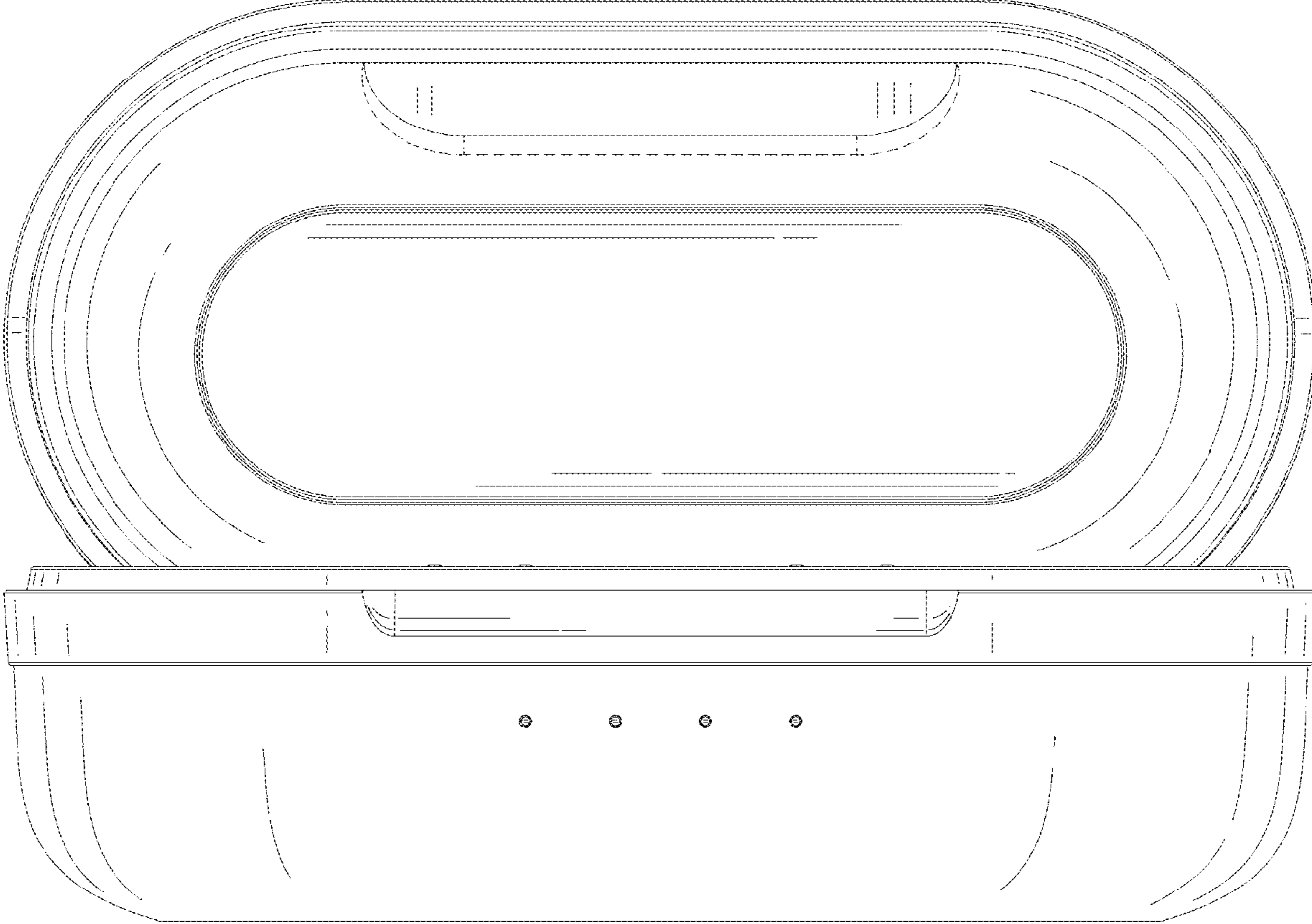


FIG. 3

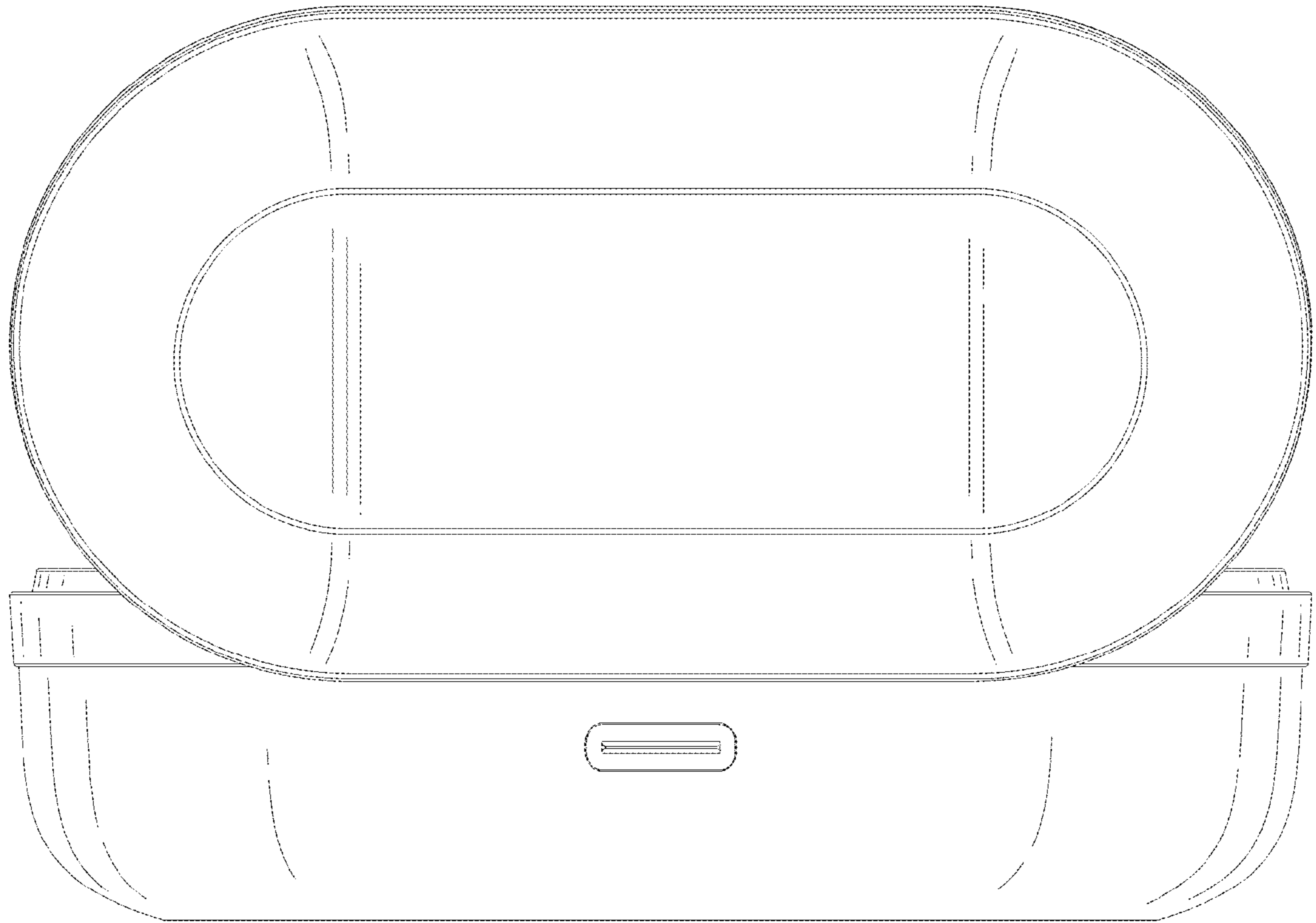


FIG. 4

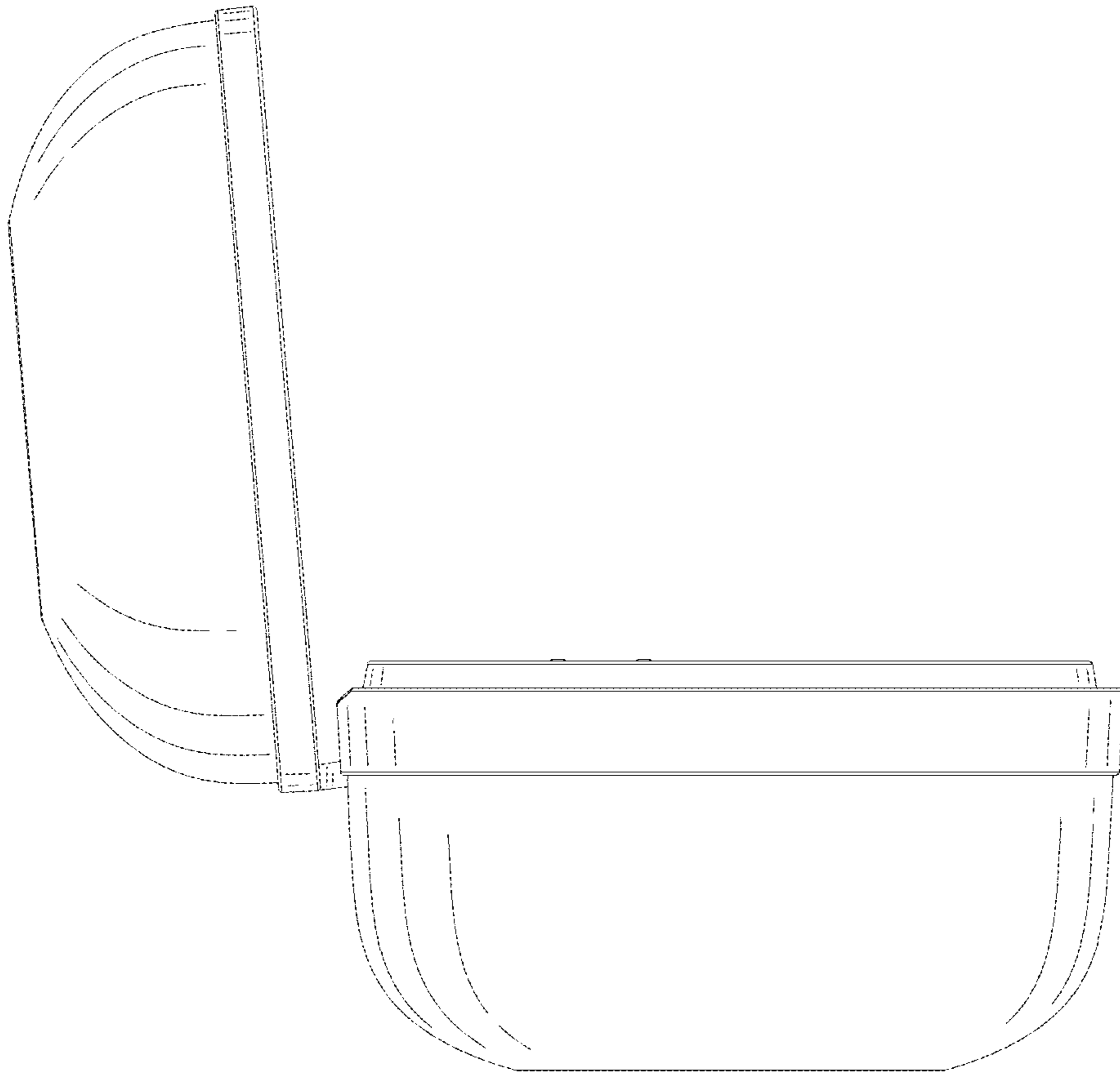


FIG. 5

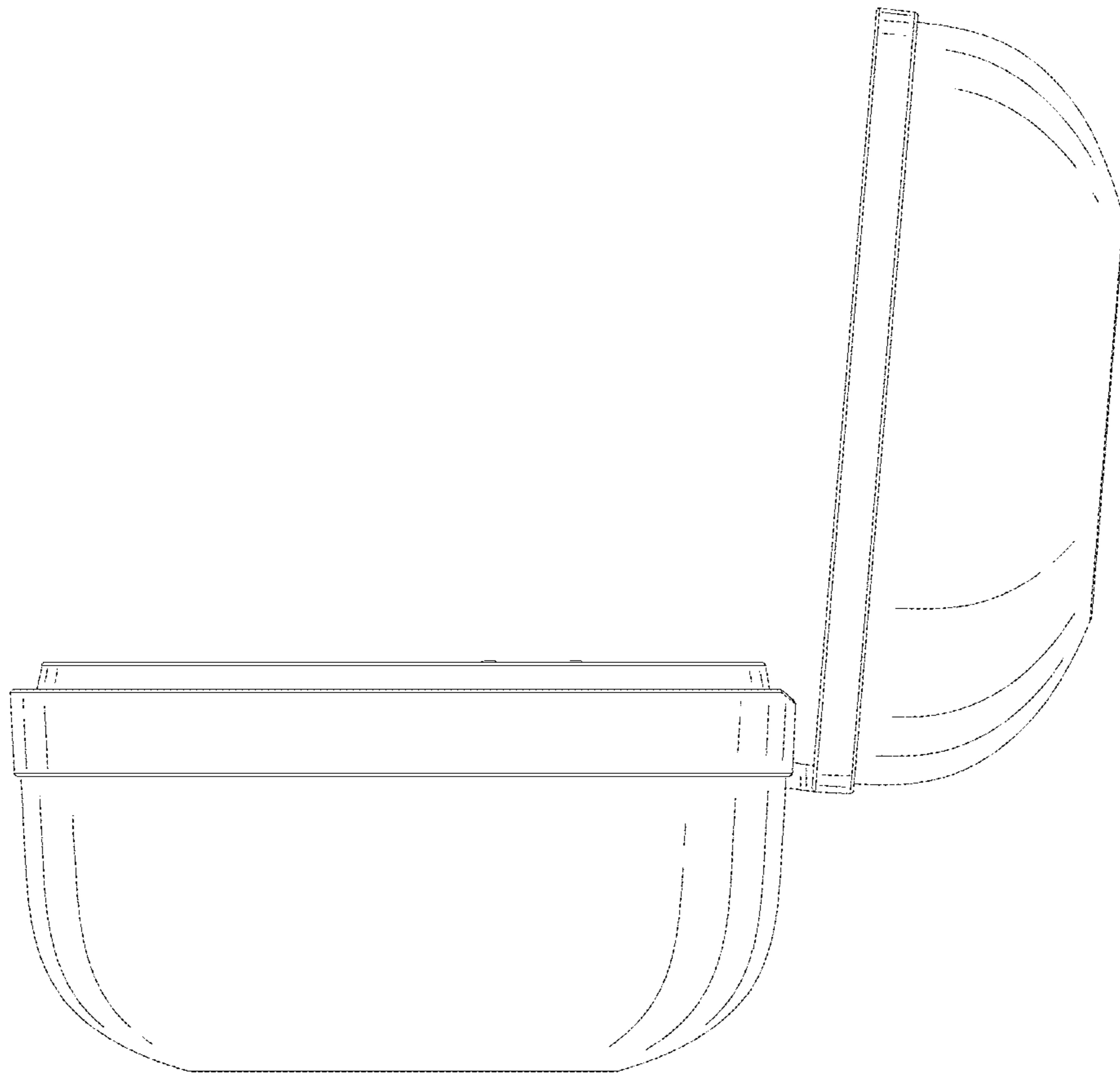


FIG. 6

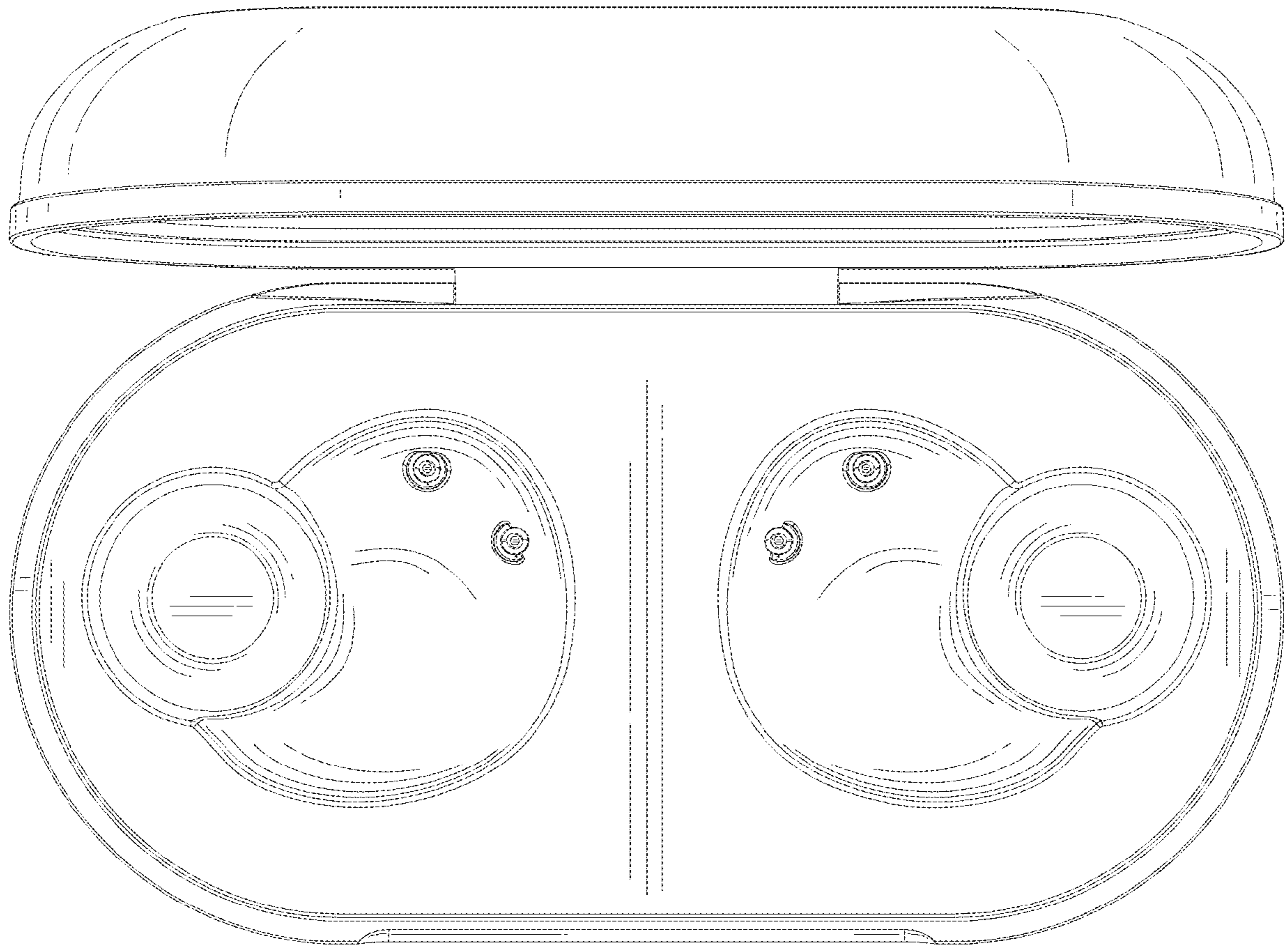


FIG. 7



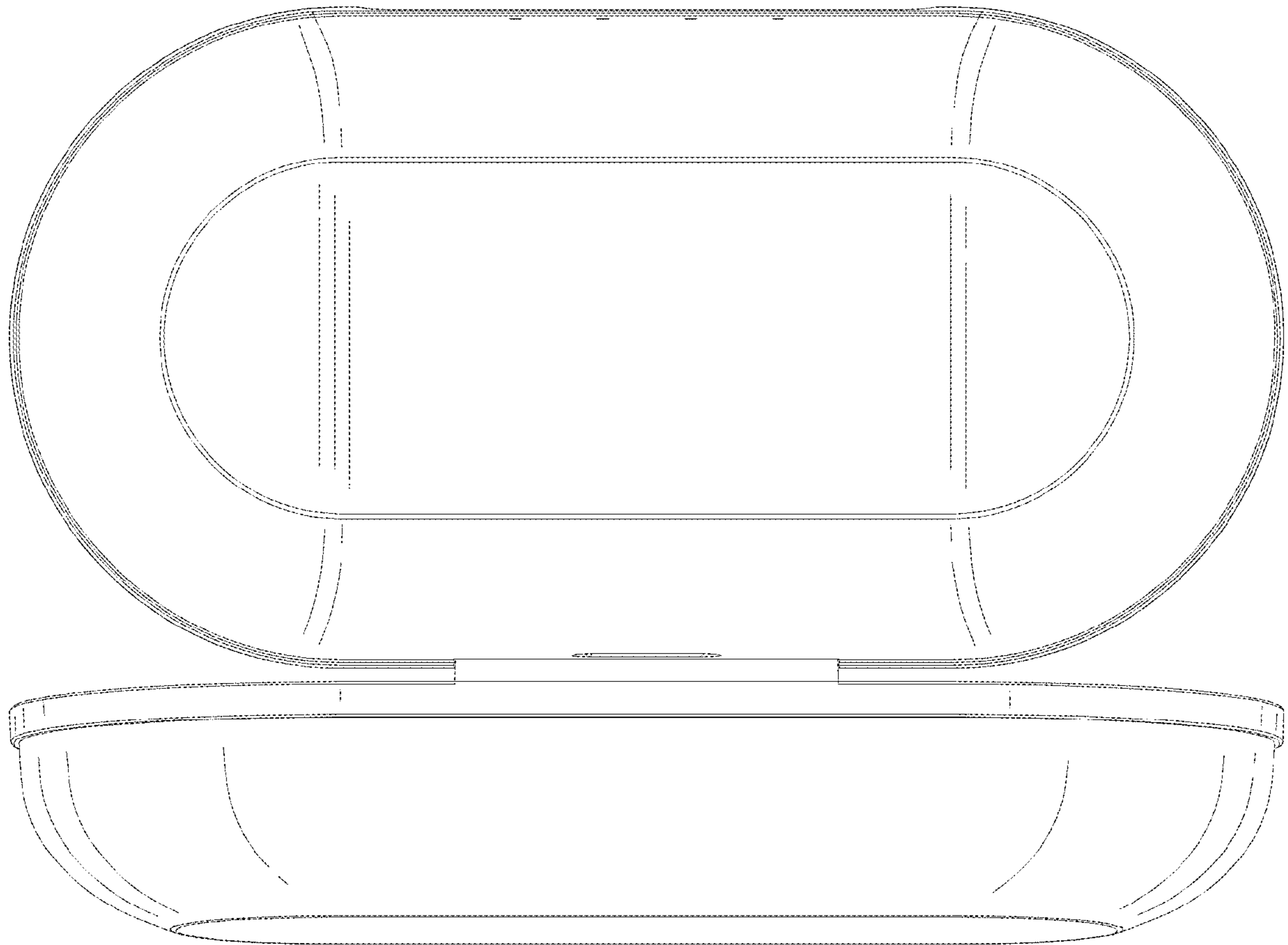


FIG. 8

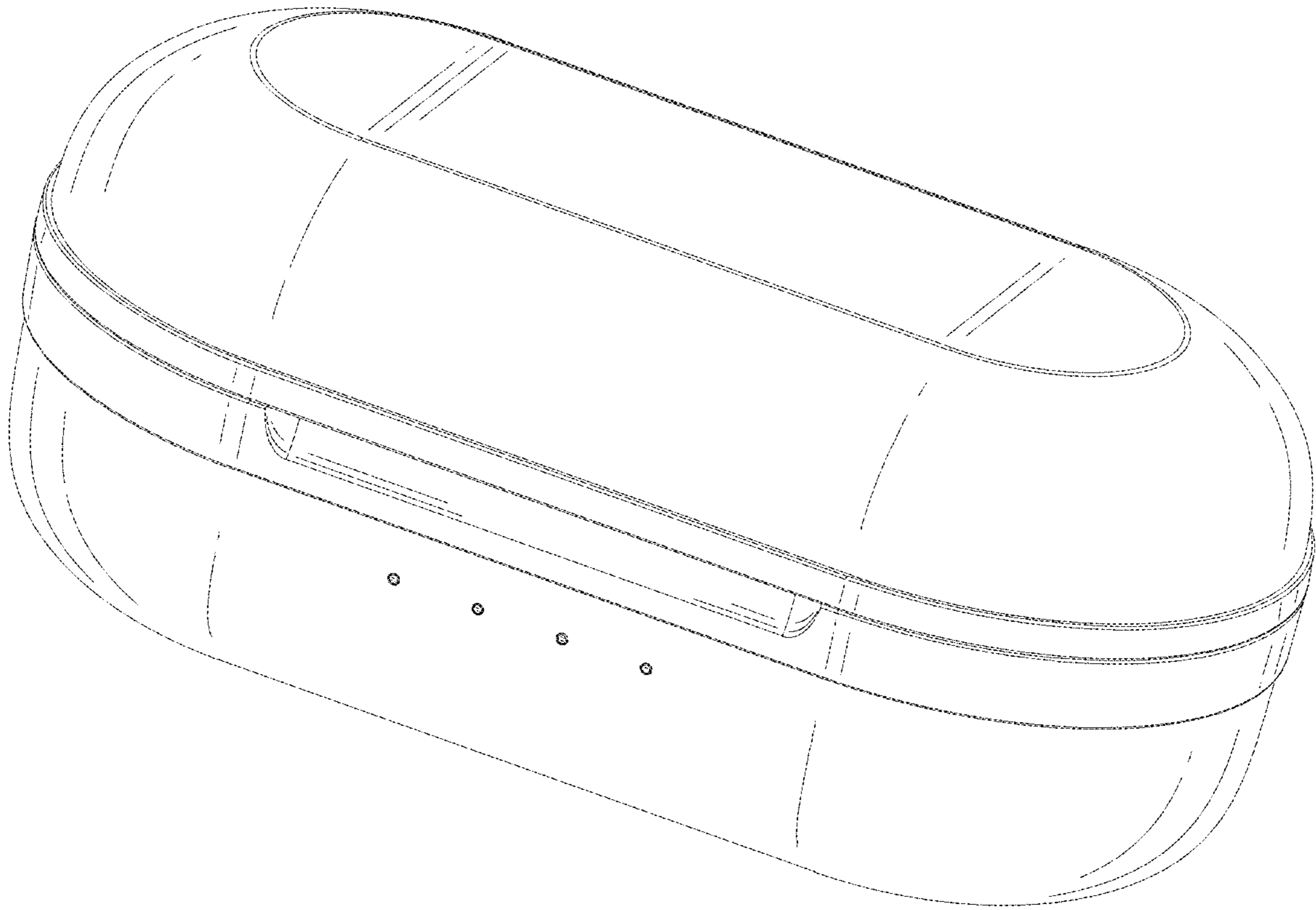


FIG. 9